

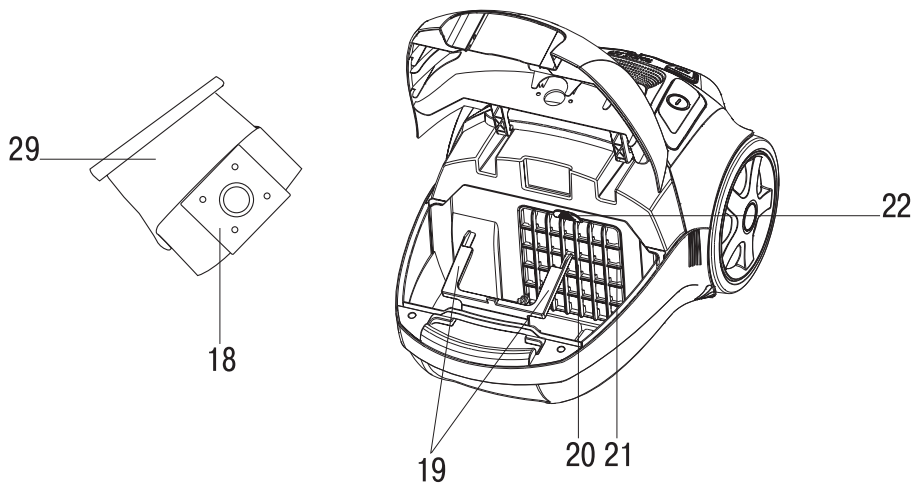
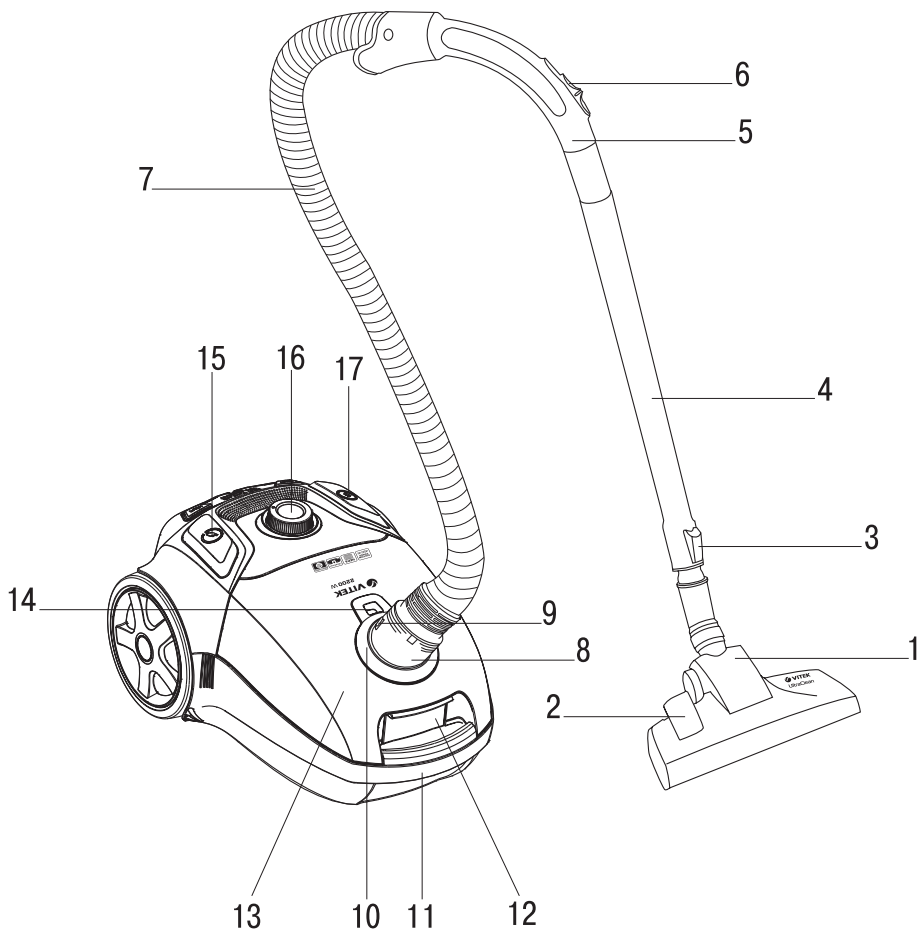
**VT-1898 BK**

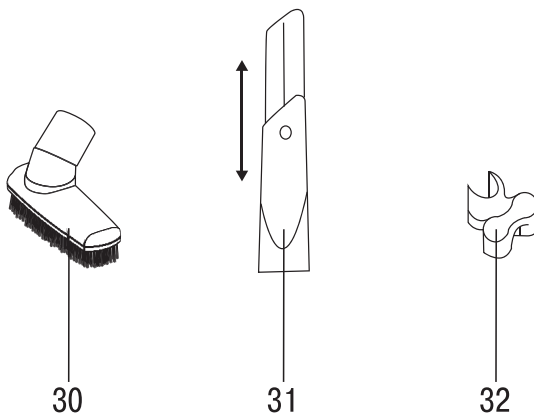
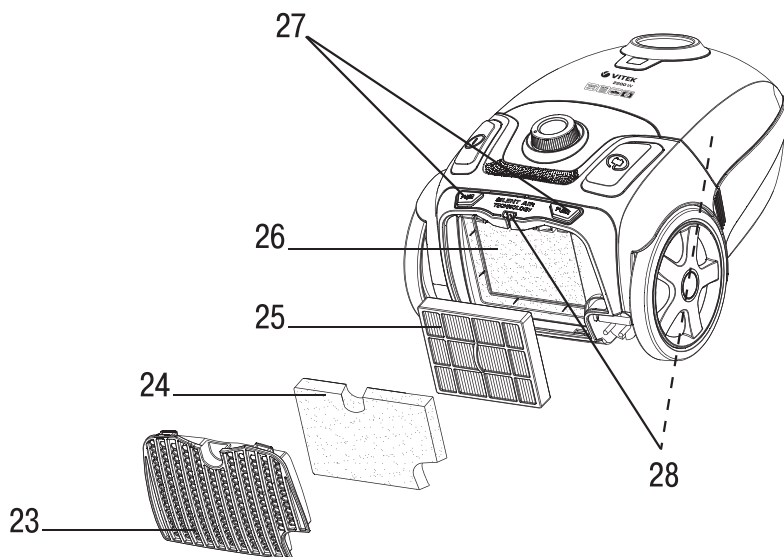
Vacuum cleaner

Пылесос

# Инструкция по эксплуатации

<b>GB</b> Manual instruction	<b>4</b>
<b>DE</b> Die betriebsanweisung	<b>8</b>
<b>RUS</b> Инструкция по эксплуатации	<b>13</b>
<b>KZ</b> Пайдалану нұсқасы	<b>18</b>
<b>UA</b> Інструкція з експлуатації	<b>23</b>





# ENGLISH

## VACUUM CLEANER VT-1898 BK

This unit is intended for room cleaning.

### DESCRIPTION

1. Floor/carpet UltraClean brush
2. "FLOOR/CARPET" mode switch
3. Telescopic pipe lock
4. Telescopic extension pipe
5. Flexible hose handle
6. Manual suction power control
7. Flexible hose
8. Flexible hose ending
9. Flexible hose ending locks
10. Air inlet
11. Carrying handle
12. Dustbag compartment lid lock
13. Dustbag compartment lid
14. Full dustbag indicator
15. Power cord winding button
16. Electronic suction power control
17. ON/OFF button
18. Dustbag holder
19. Dustbag locks
20. Inlet filter grid
21. Inlet filter
22. Inlet filter grid lock
23. Outlet filter grid
24. Outlet filter
25. Outlet HEPA filter
26. Protective filter
27. Outlet filter grid lock
28. Horizontal and vertical brush storage
29. Reusable cloth dustbag with plastic clamp
30. Brush attachment for furniture 2 in 1 (sectional)
31. Telescopic crevice nozzle
32. Attachment holder

### ATTENTION!

For additional protection you can install a residual current device with nominal operation current not exceeding 30 mA into the mains; contact a specialist for installation.

### SAFETY MEASURES

Read this instruction manual carefully before using the unit and keep it for the whole operation period. Use the unit for its intended purpose only, as specified in this manual. Mishandling of the unit may lead to its breakage and cause harm to the user or damage to his/her property.

To avoid the risk of fire, electric shock and to prevent injury, observe the following safety measures.

- Before connecting the unit to the mains, make sure that the voltage specified on the unit corresponds to your home mains voltage.
- To avoid fire, do not use adapters for connecting the unit to the mains.
- Do not leave the plugged in vacuum cleaner unattended. Always unplug the vacuum cleaner from the mains if it is not being used, before changing attachments or before unit maintenance.
- To prevent the risk of electric shock, do not use the vacuum cleaner outdoors, do not use it for collecting water or other liquids (do not use the vacuum cleaner on wet surfaces).
- Carry the vacuum cleaner holding it by the carrying handle only.
- Do not use the power cord for carrying the vacuum cleaner, do not close the door if the power cord runs through the doorway, do not let the power cord come in contact with sharp corners or edges of furniture, and with hot surfaces. Do not run over the power cord with the vacuum cleaner while room cleaning as this can damage it. Always first switch the vacuum cleaner off with the ON/OFF button and only after that take the power plug out of the mains socket.
- When unplugging the unit, pull the plug but not cord.
- Do not touch the plug or the body of the vacuum cleaner with wet hands.
- Hold the winding cord with hand to avoid the plug hitting against the floor.
- Do not cover the unit outlet with foreign objects.
- Do not switch the unit on if any of its openings are blocked.
- Keep hair, free hanging clothes, fingers and other parts of your body away from the vacuum cleaner suction opening.
- Close attention is necessary while cleaning the stair landings.
- Do not use the vacuum cleaner for collecting such highly inflammable liquids as gasoline and solvents, do not use the vacuum cleaner in places where such liquids are stored.
- Do not use the vacuum cleaner for collecting water and other liquids, burning or smoking cigarettes, matches, cinders as well as fine dust, for example, of plaster, concrete, flour or ashes.
- Do not use the vacuum cleaner, if:
  - the dustbag is not installed or installed improperly;
  - the inlet and outlet filters are not installed.

- Do not immerse the unit body into water or other liquids.
- Use only the accessories and attachments supplied.
- Clean the vacuum cleaner regularly.
- Keep the vacuum cleaner in a dry cool place.
- Do not use the vacuum cleaner to clean pets.
- Close supervision is necessary when children or disabled persons are near the operating unit.
- This unit is not intended for usage by children. During the unit operation and breaks between operation cycles, place the unit out of reach of children.
- The unit is not intended for usage by physically or mentally disabled persons (including children) or by persons lacking experience or knowledge if they are not under supervision of a person who is responsible for their safety or if they are not instructed by this person on the usage of the unit.
- Do not leave children unattended to prevent using the unit as a toy.
- For children safety reasons do not leave polyethylene bags, used as a packaging, unattended.

**Attention!** Do not allow children to play with polyethylene bags or packaging film. **Danger of suffocation!**

- Transport the unit in the original package only.
- Regularly check the power plug and power cord integrity for damages.
- Never use the unit if the power cord or the power plug is damaged, if the unit works improperly or after it was dropped.
- Do not repair the unit by yourself. Do not disassemble the unit by yourself, if any malfunction is detected or after it was dropped, unplug the unit and apply to any authorized service center from the contact address list given in the warranty certificate and on the website [www.vitek.ru](http://www.vitek.ru).
- Keep the unit out of reach of children and disabled persons.

*THE UNIT IS INTENDED FOR HOUSEHOLD USAGE ONLY*

## ASSEMBLING THE VACUUM CLEANER

**After unit transportation or storage at low temperature, keep it for at least three hours at room temperature before switching on.**

- Unpack the unit completely and remove any stickers that can prevent unit operation.
- Check the unit for damages; do not use it in case of damages.
- Before switching the unit on, make sure that your home mains voltage corresponds to the unit operating voltage.

**Note:** Always switch the vacuum cleaner off and take the power plug out of the socket before replacing the brush attachments, cleaning or replacing the dustbag (29).

## Attaching and removing the flexible hose

- Insert the flexible hose ending (8) into the air inlet (10).
- Insert the hose with a slight effort until locking.
- If you need to remove the flexible hose press the locks (9) and detach the hose.

## Attaching the telescopic pipe and the attachments

- Attach the telescopic extension pipe (4) to the flexible hose handle (5).
- Extend the lower part of the telescopic extension pipe to the required length, having preliminarily pressed the lock (3).
- Choose the necessary attachment – floor/carpet brush (1), brush attachment for furniture (30) or telescopic crevice nozzle (31) – and attach it to the telescopic extension pipe (4).

## USING OF THE BRUSH ATTACHMENTS

### Floor/carpet UltraClean brush (1)

Set the switch (2) on the brush (1) to the required position (depending on the type of the surface being cleaned).

### Brush attachment for furniture 2 in 1 (folding)

The brush attachment (30) is intended for cleaning fabric surfaces of upholstered furniture and collecting dust from polished furniture surface. To collect dust from polished furniture surface remove the brush from the attachment, the pile on the attachment (30) prevents damage to polished furniture surface.

### Telescopic crevice nozzle (31)

This attachment is intended for cleaning of radiators, chinks, corners and spaces between cushions. If necessary, extend the telescopic attachment to full length.

# ENGLISH

## Attachment holder (32)

For easy storing of attachments there is an attachment holder included. Fix the holder on the telescopic pipe and install the attachments (30) and (31) on it.

## Using the dustbag (29)

2 cloth dustbags (29) with a convenient plastic clamp are supplied with the unit.

- Open the dustbag compartment lid (13) by pressing the lid lock (12).
- Take the dustbag holder (18) and pull it to remove the dustbag holder (18) and the dustbag (29) from the locks (19).
- To clean the cloth dustbag (29), place it above the trash bin and remove the plastic clamp. After cleaning install the plastic clamp back to its place.
- To install the dustbag (29) back to its place, insert the dustbag holder (18) into the notches of the locks (19) as far as it will go.
- Close the dustbag compartment lid (13).

**Note:** Do not try to close the lid (13) without the dustbag (29) installed, otherwise you can damage the lock (19). Without the dustbag installed the lock performs the blocking device function. Always make sure that the dustbag holder (18) and the dustbag (29) are installed properly before closing the dustbag compartment lid (13). After every installation carefully tuck the dustbag (29) edges into the dustbag compartment and then close the lid (13).

## USING THE VACUUM CLEANER

### Safety measures

- Do not use the vacuum cleaner near hot surfaces, such as ashtrays and in places where inflammable liquids are stored.
- Take sharp objects away from the floor before cleaning to prevent damage to the unit.
- If the suction power of the vacuum cleaner decreases rapidly while cleaning, switch it off immediately and check the telescopic pipe and the flexible hose for obstruction. Switch the vacuum cleaner off, then unplug it, remove the obstruction and only after that continue cleaning.

## OPERATION

**Attention!** Always switch the vacuum cleaner on only with the dustbag (29) and inlet and outlet (24, 25, 26) filters installed. Always make sure that the filters are installed properly.

- Before using the unit, unwind the power cord to the required length and insert the power plug into the mains socket.
- The yellow mark on the power cord indicates the maximum cord length. Do not unwind the power cord further than the red mark.
- Press the ON/OFF button (17) to switch the vacuum cleaner on.
- During the operation you can control the suction power using the electronic suction power control (16) and the manual suction power control (6) on the flexible hose handle (5).
- After room cleaning switch the vacuum cleaner off by pressing the ON/OFF button (17) and unplug the unit.
- To wind the cord, press the cord winding button (15), hold the winding cord with your hand to avoid its whipping and damage.

## CLEANING AND CARE

- If the full dustbag indicator (14) turns red during operation, clean up the cloth dustbag.
- Before cleaning or replacing the dustbag (29), switch the vacuum cleaner off and unplug it. To clean the cloth dustbag (29), place it above the trash bin and remove the plastic clamp. If necessary, wash the cloth dustbag with warm water and neutral detergent and dry thoroughly, after that install the plastic clamp back to its place.
- Provide that the inlet filter (21), the outlet HEPA-filter (25) and the foam filters (24, 26) are always clean, because the overall performance of the vacuum cleaner depends on it; clean the filters no less than 3-4 times a year, and more often at severe obstruction.

### Cleaning the inlet filter (21)

- Switch the vacuum cleaner off and unplug it.
- Open the dustbag compartment lid (13) by pressing the lock (12). Remove the dustbag (29).
- Press the lock (22) and open the inlet filter grid (20). Take the inlet filter (21) and remove it from the grid holders by pulling it upwards.
- Wash the inlet filter (21) with warm water, dry thoroughly and install it into the grid (20) holders.
- Close the grid of the inlet filter (21) by pressing the lock (22) until a distinctive click.
- Install the dustbag (29) back to its place.
- Close the dustbag compartment lid (13).

## Cleaning the outlet filters (24, 25, 26)

- Switch the vacuum cleaner off and unplug it.
- Remove the outlet filter grid (23) by pressing the locks (27) and remove the HEPA-filter (25). Remove the outlet filter (24) from the grid (23) and remove the protective filter (26) from the air outlet of the vacuum cleaner.
- Wash the filters (24, 25, 26) under slightly warm water jet. Do not wash filters in a dish-washing machine.
- Dry the filters (24, 25, 26). Do not dry filters with a hairdryer.
- Install the filter (24) into the grid (23) according to its form. There are guides inside the grid (23) for secure fitting of the filter (24).
- Install the protective filter (26) into the vacuum cleaner air outlet and then install the HEPA-filter (25).
- Install the outlet filter grid (23) with the installed filter (24) back to its place.

### Notes:

- Before installing the filters (21, 24, 25, 26) make sure that they are dry.
- Do not dry the filters (21, 24, 25, 26) with a hairdryer.

## Vacuum cleaner body

- Wipe the vacuum cleaner body with a soft, slightly damp cloth and then wipe it dry.
- Do not immerse the body of the vacuum cleaner, the power cord and the power plug of the unit into water or other liquids. Provide that no liquid gets inside the vacuum cleaner body.
- Never use solvents or abrasives to clean the surface of the vacuum cleaner.

## STORAGE

- Before taking the vacuum cleaner away for long term storage, clean its body, the dustbag and the filters (21, 24, 25, 26).
- For easy storing use the horizontal or vertical brush storage (28).
- Keep the vacuum cleaner away from children in a dry cool place.

## DELIVERY SET

1. Vacuum cleaner with the filters and the cloth dustbag installed – 1 pc.
2. Flexible hose – 1 pc.
3. Telescopic extension pipe – 1 pc.
4. Floor/carpet UltraClean brush - 1 pc.
5. UltraClean brush attachment for furniture 2 in 1 – 1 pc.
6. Telescopic crevice nozzle – 1 pc.
7. Attachment holder – 1 pc.
8. Additional cloth dustbag – 1 pc.
9. Instruction manual – 1 pc.

## TECHNICAL SPECIFICATIONS

Supply voltage: 220-240 V ~ 50 Hz  
 Power consumption: 1800-2200 W  
 Suction power: 450 W

*The manufacturer reserves the right to change the unit specifications without a preliminary notification*

## Unit operating life is 3 years

### Guarantee

Details regarding guarantee conditions can be obtained from the dealer from whom the appliance was purchased. The bill of sale or receipt must be produced when making any claim under the terms of this guarantee.



*This product conforms to the EMC-Requirements as laid down by the Council Directive 2004/108/EC and to the Low Voltage Regulation (2006/95/EC)*

# DEUTSCH

## STAUBSAUGER VT- 1898 BK

Das Gerät ist zur Reinigung von Räumen bestimmt.

### BESCHREIBUNG

1. UltraClean-Fußboden-/Teppichbürste
2. „FUßBODEN/TEPPICH“-Schalter
3. Teleskoprohr-Arretierung
4. Teleskopverlängerungsrohr
5. Griff des biegsamen Schlauchs
6. Handregler der Saugleistung
7. Biegsamer Schlauch
8. Endstück des biegsamen Schlauchs
9. Halterungen des Endstücks des biegsamen Schlauchs
10. Lufteintrittsöffnung
11. Tragegriff
12. Halterung des Staubbeuteldeckels
13. Deckel des Staubbeuteldeckels
14. Füllanzeige des Staubbeutels
15. Taste der Netzkabelaufwicklung
16. Elektronischer Saugleistungsregler
17. Ein-/Ausschalttaste
18. Halter des Staubbeutels
19. Halterungen des Staubbeutels
20. Gitter des Eingangsfilters
21. Eingangsfilter
22. Gitterhalterung des Eingangsfilters
23. Gitter des Ausgangsfilters
24. Ausgangsfilter
25. HEPA-Ausgangsfilter
26. Schutzfilter
27. Halterungen des Gitters des Ausgangsfilters
28. Horizontale und vertikale Bürstenaufbewahrungsstelle
29. Wiederverwendbarer Stoffstaubbeutel mit Kunststoffklammer
30. Polsteraufsatzbürste 2-in-1 (auseinandernehmbar)
31. Teleskopfugendüse
32. Aufsatzhalter

### ACHTUNG!

Als zusätzlicher Schutz ist es zweckmäßig, den FI-Schalter mit Nennstrom maximal bis 30 mA in den Stromversorgungskreis aufzustellen; wenden Sie sich dafür an einen Spezialisten.

### SICHERHEITSMABNAHMEN

Lesen Sie diese Bedienungsanleitung vor der ersten Nutzung aufmerksam durch und bewahren Sie diese während der ganzen Betriebszeit des Geräts. Benutzen Sie das

Gerät nur bestimmungsmäßig und laut dieser Bedienungsanleitung. Nicht ordnungsgemäße Nutzung des Geräts kann zu seiner Störung führen und einen gesundheitlichen oder materiellen Schaden beim Nutzer hervorrufen.

Um Brand-, Stromschlagrisiko oder Verletzungen zu vermeiden, beachten Sie folgende Empfehlungen.

- Bevor Sie das Gerät ans Stromnetz anschließen, vergewissern Sie sich, dass die am Gerät angegebene Spannung und die Netzspannung in Ihrem Haus übereinstimmen.
- Verwenden Sie keine Adapterstecker beim Anschließen des Geräts ans Stromnetz, um Brandrisiko zu vermeiden.
- Lassen Sie den an die Steckdose angeschlossenen Staubsauger nie unbeaufsichtigt. Trennen Sie den Netzstecker vom Stromnetz unbedingt ab, wenn Sie den Staubsauger nicht benutzen, beim Ersetzen der Aufsätze, sowie vor der Wartung des Geräts.
- Um das Stromschlagrisiko zu vermeiden, benutzen Sie den Staubsauger draußen nicht; es ist nicht gestattet, den Staubsauger fürs Sammeln von Wasser oder anderen Flüssigkeiten zu benutzen (benutzen Sie den Staubsauger an nassen Oberflächen nicht).
- Tragen Sie den Staubsauger nur am Tragegriff.
- Benutzen Sie das Netzkabel als Griff beim Tragen des Staubsaugers nicht, schließen Sie die Tür nicht, wenn das Netzkabel durch die Türöffnung liegt, vermeiden Sie die Berührung des Netzkabels mit scharfen Möbelkanten und -ecken, sowie mit geheizten Oberflächen. Es ist nicht gestattet, das Netzkabel mit dem Staubsauger während der Raumreinigung zu überrollen – das kann zur Beschädigung des Netzkabels führen. Zuerst schalten Sie den Staubsauger mit der Ein-/Ausschalttaste aus, erst dann ziehen Sie den Netzstecker aus der Steckdose heraus.
- Wenn Sie das Gerät vom Stromnetz abtrennen, ziehen Sie das Netzkabel nicht, sondern halten Sie den Netzstecker.
- Berühren Sie den Netzstecker oder das Gehäuse des Staubsaugers mit nassen Händen nicht.
- Halten Sie das abwickelnde Netzkabel mit der Hand, um Schlagen des Netzsteckers gegen die Bodenoberfläche zu vermeiden.



- Es ist nicht gestattet, die Austrittsöffnung des Geräts mit jeglichen Genständen abzudecken.
- Es ist nicht gestattet, das Gerät einzuschalten, wenn eine seiner Öffnungen blockiert ist.
- Halten Sie Haar, frei hängende Kleiderstücke, Finger und andere Körperteile von den Lufteintrittsöffnungen des Staubsaugers fern.
- Seien Sie beim Aufräumen von Treppenabsätzen besonders vorsichtig.
- Es ist nicht gestattet, den Staubsauger fürs Sammeln von Lösungsmitteln und leichtentzündbaren Flüssigkeiten wie Benzin zu benutzen; benutzen Sie nie den Staubsauger an den Orten, wo diese Flüssigkeiten aufbewahrt werden.
- Es ist nicht gestattet, den Staubsauger fürs Sammeln von Wasser und jeglichen anderen Flüssigkeiten, brennenden oder rauchenden Zigaretten, Streichhölzern, schwelender Asche, sowie feinverteiltem Staub, z. B. vom Verputz, Beton, Mehl oder Asche, zu benutzen.
- Es ist nicht gestattet, den Staubsauger zu benutzen, wenn:
  - der Staubbeutel nicht aufgestellt oder nicht richtig aufgestellt ist;
  - Ein-/ und Ausgangsfilter nicht aufgestellt sind.
- Tauchen Sie das Gehäuse des Staubsaugers ins Wasser oder jegliche andere Flüssigkeiten nicht ein.
- Benutzen Sie nur das Zubehör und die Aufsätze, die zum Lieferumfang gehören.
- Reinigen Sie den Staubsauger regelmäßig.
- Bewahren Sie den Staubsauger an einem kühlen trockenen Ort auf.
- Es ist nicht gestattet, den Staubsauger für das Reinigen der Haustiere zu benutzen.
- Besondere Vorsichtsmaßnahmen sind in den Fällen angesagt, wenn sich Kinder oder behinderte Personen während der Nutzung des Geräts in der Nähe aufhalten.
- Dieses Gerät ist nicht für Gebrauch von Kindern geeignet. Während des Betriebs und der Pausen zwischen den Betriebszyklen stellen Sie das Gerät an einem für Kinder unzugänglichen Ort auf.
- Das Gerät ist für körper- oder geistesbehinderte Personen (darunter Kinder) oder Personen ohne ausreichende Erfahrung und Kenntnisse nicht geeignet, wenn sie sich unter Aufsicht der Person, die für ihre Sicherheit verantwortlich ist, nicht befinden

oder entsprechende Anweisungen über die Nutzung des Geräts nicht bekommen haben.

- Beaufsichtigen Sie Kinder, damit sie das Gerät als Spielzeug nicht benutzen.
- Aus Kindersicherheitsgründen lassen Sie Plastiktüten, die als Verpackung verwendet werden, nie ohne Aufsicht.

**Achtung!** Lassen Sie Kinder mit Plastiktüten oder Verpackungsfolien nicht spielen.  
**Erstickungsgefahr!**

- Transportieren Sie das Gerät nur in der Fabrikverpackung.
- Prüfen Sie den Zustand des Netzsteckers und das Netzkabel regelmäßig auf Schäden.
- Es ist nicht gestattet, das Gerät zu benutzen, wenn der Netzstecker oder das Netzkabel beschädigt sind, wenn das Gerät nicht richtig funktioniert oder heruntergefallen ist.
- Es ist nicht gestattet, das Gerät selbständig zu reparieren. Es ist nicht gestattet, das Gerät selbständig auseinanderzunehmen, bei der Feststellung jeglicher Beschädigungen oder im Sturzfall trennen Sie das Gerät von der Steckdose ab und wenden Sie sich an einen autorisierten (bevollmächtigten) Kundendienst unter den Kontaktadressen, die im Garantieschein und auf der Website [www.vitek.ru](http://www.vitek.ru) angegeben sind.
- Bewahren Sie das Gerät an einem für Kinder und behinderte Personen unzugänglichen Ort auf.

**DAS GERÄT IST NUR FÜR DEN GEBRAUCH IM HAUSHALT GEEIGNET**

## ZUSAMMENBAU DES STAUBSAUGERS

**Falls das Gerät bei niedrigen Temperaturen transportiert oder aufbewahrt wurde, lassen Sie es bei der Raumlufttemperatur nicht weniger als drei Stunden bleiben.**

- Nehmen Sie das Gerät aus der Verpackung völlig heraus und entfernen Sie alle Aufkleber, die die Nutzung des Geräts stören.
- Prüfen Sie die Ganzheit des Geräts, wenn das Gerät beschädigt ist, benutzen Sie es nicht.
- Vor dem Einschalten des Geräts vergewissern Sie sich, dass die Netzspannung und die Betriebsspannung des Geräts übereinstimmen.

**Anmerkung:** Schalten Sie den Staubsauger immer aus und ziehen Sie den Netzstecker aus der Steckdose heraus, wenn Sie Aufsatzbürsten ersetzen, sowie vor der Reinigung oder vor dem Wechsel des Staubbeutels (29).

# DEUTSCH

## Anschließen und Abnehmen des biegsamen Schlauchs

- Setzen Sie das Endstück des biegsamen Schlauchs (8) in die Lufteintrittsöffnung (10).
- Setzen Sie den Schlauch mit leichter Kraft bis zum Einrasten ein.
- Bei der Notwendigkeit den biegsamen Schlauch abzunehmen, drücken Sie die Halterungen (9) und trennen Sie den Schlauch ab.

## Anschließen des Teleskoprohrs und der Aufsätze

- Schließen Sie das Teleskopverlängerungsrohr (4) an den Griff des biegsamen Schlauchs (5) an.
- Schieben Sie den Unterteil des Teleskoprohrs auf notwendige Länge aus, drücken Sie vorher die Taste der Arretierung (3).
- Wählen Sie den notwendigen Aufsatz – die Fußboden-/Teppichbürste (1), die Polsteraufsatzbürste (30) oder die Teleskopfugendüse (31) – und schließen Sie ihn an das Teleskopverlängerungsrohr (4) an.

## NUTZUNG DER AUFSATZBÜRSTEN

### UltraClean-Fußboden-/Teppichbürste

Stellen Sie den Schalter (2) an der Bürste (1) in die notwendige Position (abhängig vom Oberflächentyp, auf der Sie das Aufräumen vornehmen).

### Polsteraufsatzbürste 2-in-1 (30) (auseinandernehmbar)

Die Aufsatzbürste (30) ist zur Reinigung von Stoffoberflächen der Polstermöbel und fürs Sammeln des Staubs von der polierten Möbeloberfläche geeignet. Fürs Sammeln des Staubs von der polierten Möbeloberfläche nehmen Sie die Bürste vom Aufsatz ab, der Flor am Aufsatz (30) verhindert dabei die Beschädigung der polierten Möbeloberfläche.

### Teleskopfugendüse (31)

Der Aufsatz ist für die Reinigung von Radiatoren, Spalten, Ecken und dem Raum zwischen Sofakissen geeignet. Bei der Notwendigkeit schieben Sie den Teleskopaufsatz auf die ganze Länge aus.

### Aufsatzhalter (32)

Zwecks der bequemen Aufbewahrung von Aufsätzen ist ein mitgelieferter Aufsatzhalter

vorgesehen. Befestigen Sie den Halter auf dem Teleskoprohr und stellen Sie darauf die Aufsätze (30) und (31).

## Nutzung des Staubbeutels (29)

2 Stoffstaubbeutel (29) mit Kunststoffklammer zur Bequemlichkeit mitgeliefert.

- Öffnen Sie den Deckel des Staubbeutel-faches (13), indem Sie die Deckelhalterung (12) drücken.
- Fassen Sie den Halter des Staubbeutels (18), nehmen Sie den Halter des Staubbeutels (18) zusammen mit dem Staubbeutel (29) aus den Halterungen (19) heraus, indem Sie ihn ziehen.
- Für die Reinigung des Stoffstaubbeutels (29) halten Sie ihn über dem Müllcontainer und nehmen Sie die Kunststoffklammer ab. Nach der Reinigung stellen Sie die Kunststoffklammer zurück auf.
- Um den Staubbeutel (29) aufzustellen, setzen Sie den Halter des Staubbeutels (18) in die Aussparungen der Halterungen (19) bis zum Anschlag ein.
- Schließen Sie den Deckel des Staubbeutel-faches (13) zu.

**Anmerkung:** Es ist nicht gestattet, den Deckel (13) ohne aufgestellten Staubbeutel (29) zu schließen, anderenfalls können Sie die Halterung (19) beschädigen. Ohne aufgestellten Staubbeutel übt die Halterung eine Sperrvorrichtungsfunktion aus.

Prüfen Sie unbedingt, ob der Halter des Staubbeutels (18) und der Staubbeutel (29) selbst richtig aufgestellt sind, bevor Sie den Deckel des Staubbeutel-faches (13) schließen. Nach jeder Aufstellung stopfen Sie vorsichtig die Ränder des Staubbeutels (29) in das Staubbeutel-fach, und dann schließen Sie den Deckel (13) zu.

## NUTZUNG DES STAUBSAUGERS

### Vorsichtsmaßnahmen

- Es ist nicht gestattet, den Staubsauger in direkter Nähe von zu heißen Oberflächen, z.B. neben Aschenbechern und an Orten, wo leichtentzündbare Flüssigkeiten aufbewahrt werden, zu benutzen.
- Bevor Sie das Aufräumen vornehmen, nehmen Sie scharfe Gegenstände vom Boden weg, um die Gerätebeschädigung zu vermeiden.
- Wenn die Saugleistung des Staubsaugers während des Aufräumens stark gesunken ist,

schalten Sie ihn sofort aus und prüfen Sie, ob das Teleskoprohr oder der Schlauch verstopft sind. Schalten Sie den Staubsauger aus, dann trennen Sie ihn vom Stromnetz ab, entfernen Sie die Verstopfung, erst danach setzen Sie das Aufräumen fort.

## VERWENDUNG

**Achtung! Schalten Sie den Staubsauger nur mit eingestelltem Staubbeutel (29) und mit eingestelltem Ein- (21) und Ausgangsfilter (24, 25, 26). Prüfen Sie unbedingt, ob die Filter richtig aufgestellt sind.**

- Vor der ersten Nutzung ziehen Sie das Netzkabel auf die notwendige Länge aus und stecken Sie den Stecker in die elektrische Steckdose ein.
- Die gelbe Marke am Netzkabel zeigt die maximale Netzkabellänge an. Es ist nicht gestattet, das Netzkabel über die rote Marke auszuziehen.
- Um den Staubsauger einzuschalten, drücken Sie die Ein-/Ausschalttaste (17).
- Während des Betriebs können Sie die Saugleistung mittels des elektronischen Saugleistungsreglers (16), sowie mittels des Handregler der Saugleistung (6), der sich auf dem Griff des biegsamen Schlauchs (5) befindet, einstellen.
- Drücken Sie die Ein-/Ausschalttaste (17) nach dem Aufräumen und ziehen Sie den Netzstecker aus der Steckdose heraus.
- Um das Netzkabel aufzuwickeln, drücken Sie die Taste der Kabelaufwicklung (15) und halten Sie das sich aufwickelnde Netzkabel mit der Hand, um sein Schlingen und Beschädigung zu vermeiden.

## REINIGUNG UND PFLEGE

- Falls während des Betriebs des Staubsaugers sich der Staubbeutel-Füllanzeige (14) auf „rot“ umschaltet, reinigen Sie den Stoffstaubbeutel.
- Bevor Sie den Staubbeutel (29) reinigen, schalten Sie den Staubsauger aus und ziehen Sie den Netzstecker aus der Steckdose heraus. Für die Reinigung des Stoffstaubbeckens (29) halten Sie ihn über dem Müllcontainer und nehmen Sie die Kunststoffklammer ab. Bei der Notwendigkeit waschen Sie den Stoffstaubbeutel mit Warmwasser und einem weichen Waschmittel und trocknen Sie ihn sorgfältig ab, danach stellen Sie die Kunststoffklammer zurück auf.

- Prüfen Sie, ob das Eingangsfilters (21) und das Ausgangs-HEPA-Filter (25) und die Schaumstofffilter (24,26) sauber sind, denn davon hängt die Effizienz des Staubsaugerbetriebs ab; reinigen Sie die Filter nicht seltener als drei oder vier Mal pro Jahr, und bei starker Verschmutzung machen Sie es öfter.

## Reinigung des Eingangsfilters (21)

- Schalten Sie den Staubsauger aus und trennen Sie ihn vom Stromnetz ab.
- Öffnen Sie den Deckel des Staubbeutel-faches (13), indem Sie die Halterung (12) drücken. Nehmen Sie den Staubbeutel (29) heraus.
- Drücken Sie die Halterung (22) und öffnen Sie das Gitter des Eingangsfilters (20). Indem Sie den Eingangsfilters (21) fassen, nehmen Sie ihn aus den Haltern des Gitters heraus, indem Sie ihn in der Richtung nach oben ziehen.
- Waschen Sie den Eingangsfilters (21) mit Warmwasser, trocknen Sie ihn sorgfältig ab und stellen Sie ihn in die Halterung des Gitters (20) auf.
- Schließen Sie das Gitter des Eingangsfilters (21) zu, indem Sie die Halterung (22) bis zum typischen Knacken drücken.
- Stellen Sie den Staubbeutel (29) zurück auf.
- Schließen Sie den Deckel des Staubbeutel-faches (13).

## Reinigung der Ausgangsfilter (24, 25, 26)

- Schalten Sie den Staubsauger aus und trennen Sie ihn vom Stromnetz ab.
- Nehmen Sie das Gitter des Ausgangsfilters (23) ab, indem Sie die Halterungen (27) drücken, nehmen Sie den HEPA-Filter (25) heraus. Nehmen Sie den Ausgangsfilters (24) aus dem Gitter (23) heraus, und nehmen Sie den Schutzfilter (26) aus der Luftaustrittsöffnung des Staubsaugers heraus.
- Waschen Sie die Filter (24, 25, 26) unter einem lauwarmen Wasserstrahl. Es ist nicht gestattet für die Reinigung von Filtern die Geschirrspülmaschine zu benutzen.
- Trocknen Sie den Filter (24, 25, 26) ab. Es ist nicht gestattet, den Haartrockner zum Trocknen der Filter zu benutzen.
- Setzen Sie den Filter (24) ins Gitter (23) laut seiner Form ein. Für sichere Befestigung des Filters (24) im Gitter (23) gibt es Führungsvorsprünge.

# DEUTSCH

- Setzen Sie den Schutzfilter (26) in die Luftaustrittsöffnung des Staubsaugers ein, dann stellen Sie den HEPA-Filter (25) auf.
- Stellen Sie das Gitter des Ausgangsfilters (23) mit dem aufgestellten Filter (24) zurück auf.

## Anmerkungen:

- Vergewissern Sie sich vor dem Aufstellen der Filter (21, 24, 25, 26), dass sie trocken sind.
- Es ist nicht gestattet, den Haartrockner zum Trocknen der Filter (21, 24, 25, 26) zu benutzen.

## Staubsaugergehäuse

- Wischen Sie das Gehäuse des Staubsaugers mit einem weichen, leicht angefeuchteten Tuch, danach trocknen Sie es ab.
- Es ist nicht gestattet, das Staubsaugergehäuse, das Netzkabel und den Netzstecker ins Wasser oder jegliche andere Flüssigkeiten einzutauchen. Achten Sie darauf, dass keine Flüssigkeit ins Staubsaugergehäuse gelangt.
- Es ist nicht gestattet, Abrasiv- und Lösungsmittel für die Reinigung der Oberfläche des Staubsaugers zu benutzen.

## AUFBEWAHRUNG

- Bevor Sie den Staubsauger zur langen Aufbewahrung wegnehmen, reinigen Sie das Gehäuse, den Staubbeutel und die Filter (21, 24, 25, 26).
- Zwecks der bequemen Aufbewahrung benutzen Sie die horizontale und vertikale Bürstenaufbewahrungsstelle (28).
- Bewahren Sie den Staubsauger an einem trockenen, kühlen und für Kinder unzugänglichen Ort auf.

## LIEFERUMFANG

1. Staubsauger mit eingestellten Filtern und einem Stoffstaubbeutel – 1 St.
2. Biegsamer Schlauch – 1 St.
3. Teleskopverlängerungsrohr – 1 St.
4. UltraClean-Fußboden-/Teppichbürste – 1 St.
5. UltraClean-Polsteraufsatzbürste 2-in-1 – 1 St.
6. Teleskopfugendüse – 1 St.
7. Aufsatzhalter – 1 St.
8. Zusätzlicher Stoffstaubbeutel – 1 St.
9. Bedienungsanleitung – 1 St.

## TECHNISCHE EIGENSCHAFTEN

Stromversorgung: 220-240 V ~ 50 Hz

Leistungsaufnahme: 1800-2200 W

Saugleistung: 450 W

*Der Hersteller behält sich das Recht vor, Design und technische Eigenschaften des Geräts ohne Vorbenachrichtigung zu verändern*

## Nutzungsdauer des Geräts beträgt 3 Jahre

## Gewährleistung

Ausführliche Bedingungen der Gewährleistung kann man beim Dealer, der diese Geräte verkauft hat, bekommen. Bei beliebiger Anspruchserhebung soll man während der Laufzeit der vorliegenden Gewährleistung den Check oder die Quittung über den Ankauf vorzulegen.

*Das vorliegende Produkt entspricht den Forderungen der elektromagnetischen Verträglichkeit, die in 2004/108/EC – Richtlinie des Rates und den Vorschriften 2006/95/EC über die Niederspannungsgeräte vorgesehen sind.*



## ПЫЛЕСОС VT-1898 BK

Устройство предназначено для уборки помещений.

### ОПИСАНИЕ

1. Щётка UltraClean для пола/ковровых покрытий
2. Переключатель режимов «ПОЛ/КОВЁР»
3. Фиксатор телескопической трубки
4. Телескопическая удлинительная трубка
5. Ручка гибкого шланга
6. Ручной регулятор мощности всасывания
7. Гибкий шланг
8. Наконечник гибкого шланга
9. Фиксаторы наконечника гибкого шланга
10. Воздухозаборное отверстие
11. Ручка для переноски
12. Фиксатор крышки отсека пылесборника
13. Крышка отсека пылесборника
14. Индикатор заполнения пылесборника
15. Кнопка сматывания сетевого шнура
16. Электронный регулятор мощности всасывания
17. Кнопка включения/выключения
18. Держатель пылесборника
19. Фиксаторы пылесборника
20. Решетка входного фильтра
21. Входной фильтр
22. Фиксатор решетки входного фильтра
23. Решётка выходного фильтра
24. Выходной фильтр
25. Выходной HEPA-фильтр
26. Защитный фильтр
27. Фиксаторы решётки выходного фильтра
28. Место горизонтальной и вертикальной «парковки» щётки
29. Многоцветный тканевый пылесборник с пластмассовым зажимом
30. Насадка-щётка для мебели 2 в 1 (разборная)
31. Телескопическая щелевая насадка
32. Держатель насадок

### ВНИМАНИЕ!

Для дополнительной защиты в цепь питания целесообразно установить устройство защитного отключения (УЗО) с номинальным током срабатывания, не превышающим 30 мА; при установке следует обратиться к специалисту.

### МЕРЫ БЕЗОПАСНОСТИ

Перед использованием устройства внимательно прочитайте настоящее руководство

по эксплуатации и сохраняйте его в течение всего срока эксплуатации. Используйте устройство только по его прямому назначению, как изложено в данном руководстве. Неправильное обращение с устройством может привести к его поломке, причинению вреда пользователю или его имуществу.

Для снижения риска возникновения пожара, для защиты от поражения электрическим током и защиты от травм следуйте приведённым ниже рекомендациям.

- Прежде чем подключить устройство к электросети, убедитесь в том, что напряжение, указанное на устройстве, соответствует напряжению электросети в вашем доме.
- Во избежание риска возникновения пожара не используйте переходники при подключении устройства к электрической розетке.
- Не оставляйте пылесос без присмотра, когда он включён в сетевую розетку. Обязательно вынимайте вилку сетевого шнура из электрической розетки, если не пользуетесь пылесосом, при смене насадок, а также перед обслуживанием устройства.
- Для снижения риска удара электрическим током не используйте пылесос вне помещений, запрещается использовать пылесос для сбора воды или любой другой жидкости (не используйте пылесос на влажных поверхностях).
- Переносить пылесос можно, только взявшись за ручку для переноски.
- Не используйте сетевой шнур для переноски пылесоса, не закрывайте дверь, если сетевой шнур проходит через дверной проём, избегайте контакта сетевого шнура с острыми краями или углами мебели, а также с нагретыми поверхностями. Во время уборки помещения запрещается переезжать пылесосом через сетевой шнур – вы можете его повредить. Сначала обязательно отключайте пылесос кнопкой включения/выключения, и только после этого можно вынимать вилку сетевого шнура из электрической розетки.
- Отключая устройство от электрической сети, не тяните за сетевой шнур, а беритесь за вилку сетевого шнура.
- Не прикасайтесь к сетевой вилке или к корпусу пылесоса мокрыми руками.

- Во время сматывания сетевого шнура придерживайте шнур рукой, не допускайте, чтобы сетевая вилка ударялась о поверхность пола.
- Запрещается закрывать выходное отверстие устройства какими-либо предметами.
- Запрещается включать устройство, если какое-либо из его отверстий заблокировано.
- Следите за тем, чтобы волосы, свободно висящие элементы одежды, пальцы или другие части тела не находились рядом с воздухозаборными отверстиями пылесоса.
- Будьте особенно внимательны при уборке лестничных площадок.
- Запрещается использовать пылесос для сбора растворителей и легковоспламеняющихся жидкостей, таких как бензин; запрещается использовать пылесос в местах хранения таких жидкостей.
- Запрещается с помощью пылесоса собирать воду или любые другие жидкости, горячие или дымящиеся сигареты, спички, тлеющий пепел, а также тонкодисперсную пыль, например, от штукатурки, бетона, муки или золы.
- Запрещается использовать пылесос, если:
  - не установлен или неправильно установлен пылесборник;
  - не установлены входной и выходной фильтры.
- Не погружайте корпус пылесоса в воду или в любые другие жидкости.
- Используйте только те аксессуары и насадки, которые входят в комплект поставки.
- Проводите регулярную чистку пылесоса.
- Храните пылесос в сухом прохладном месте.
- Не используйте пылесос для чистки домашних животных.
- Будьте особенно внимательны, если поблизости от работающего устройства находятся дети или лица с ограниченными возможностями.
- Данное устройство не предназначено для использования детьми. Во время работы и в перерывах между рабочими циклами размещайте устройство в местах, недоступных для детей.
- Прибор не предназначен для использования лицами (включая детей) с ограниченными физическими, психическими

или умственными способностями или при отсутствии у них опыта или знаний, если они не находятся под контролем или не проинструктированы об использовании прибора лицом, ответственным за их безопасность.

- Осуществляйте надзор за детьми, чтобы не допустить использования устройства в качестве игрушки.
- Из соображений безопасности детей не оставляйте полиэтиленовые пакеты, используемые в качестве упаковки, без присмотра.

**Внимание!** Не разрешайте детям играть с полиэтиленовыми пакетами или упаковочной плёнкой. **Опасность удушья!**

- Перевозите устройство только в заводской упаковке.
- Регулярно проверяйте состояние вилки сетевого шнура и сам сетевой шнур на отсутствие повреждений.
- Запрещается использовать устройство при наличии повреждений сетевой вилки или сетевого шнура, если устройство работает с перебоями, а также после падения устройства.
- Запрещается самостоятельно ремонтировать прибор. Не разбирайте прибор самостоятельно, при возникновении любых неисправностей, а также после падения устройства выключите прибор из электрической розетки и обратитесь в любой авторизованный (уполномоченный) сервисный центр по контактному адресу, указанному в гарантийном талоне и на сайте [www.vitek.ru](http://www.vitek.ru).
- Храните устройство в местах, недоступных для детей и людей с ограниченными возможностями.

**УСТРОЙСТВО ПРЕДНАЗНАЧЕНО ТОЛЬКО ДЛЯ ДОМАШНЕГО ИСПОЛЬЗОВАНИЯ**

## **СБОРКА ПЫЛЕСОСА**

**После транспортировки или хранения устройства при пониженной температуре необходимо выдержать его при комнатной температуре не менее трёх часов.**

- Полностью распакуйте устройство и удалите любые наклейки, мешающие работе устройства.
- Проверьте целостность устройства, при наличии повреждений не пользуйтесь устройством.



- Перед включением убедитесь в том, что напряжение электрической сети соответствует рабочему напряжению устройства.

**Примечание:** *Всякий раз перед заменой щёток-насадок, перед чисткой или заменой пылесборника (29) отключайте пылесос и извлекайте вилку сетевого шнура из электрической розетки.*

## Подсоединение и снятие гибкого шланга

- Вставьте наконечник гибкого шланга (8) в воздухозаборное отверстие (10).
- Вставляйте шланг с небольшим усилием, до фиксации.
- При необходимости снять гибкий шланг нажмите на фиксаторы (9) и отсоедините шланг.

## Подсоединение телескопической трубки и насадок

- Подсоедините телескопическую удлинительную трубку (4) к ручке гибкого шланга (5).
- Выдвиньте нижнюю часть телескопической трубки на необходимую длину, предварительно нажав на фиксатор (3).
- Выберите необходимую насадку – щётку для пола/ковровых покрытий (1), насадку-щётку для мебели (30) или телескопическую щелевую насадку (31) – и подсоедините её к телескопической удлинительной трубке (4).

## ИСПОЛЬЗОВАНИЕ ЩЁТОК-НАСАДОК

### Щётка UltraClean для пола/ковровых покрытий (1)

Установите переключатель (2) на щётке (1) в необходимое положение (в зависимости от типа поверхности, на которой производится уборка).

### Насадка-щётка для мебели 2 в 1 (30) (разборная)

Насадка-щётка (30) предназначена для чистки тканевых поверхностей мягкой мебели, и для сбора пыли с полированной поверхности мебели. Для сбора пыли с полированной поверхности мебели снимите с насадки щётку, при этом наличие ворса на насадке (30) препятствует повреждению полированной поверхности мебели.

### Телескопическая щелевая насадка (31)

Насадка предназначена для чистки радиаторов, щелей, углов и пространства между подушками диванов. В случае необходимости выдвиньте телескопическую насадку на всю длину.

### Держатель насадок (32)

Для удобства хранения насадок, в комплекте предусмотрен держатель насадок. Закрепите держатель на телескопической трубке и установите на него насадки (30) и (31).

### Использование пылесборника (29)

В комплект поставки входит 2 тканевых пылесборника (29) с пластмассовым зажимом для удобства

- Откройте крышку отсека пылесборника (13), нажав на фиксатор крышки (12).
- Возьмитесь за держатель пылесборника (18), и потянув за него, извлеките держатель пылесборника (18) вместе с пылесборником (29) из фиксаторов (19).
- Для очистки тканевого пылесборника (29) расположите его над мусорным контейнером и снимите пластмассовый зажим. После очистки установите пластмассовый зажим на место.
- Для того чтобы установить пылесборник (29), вставьте держатель пылесборника (18) в пазы фиксаторов (19) до упора.
- Закройте крышку отсека пылесборника (13).

**Примечание:** *Не пытайтесь закрыть крышку (13) без установленного пылесборника (29), в противном случае Вы можете повредить фиксатор (19). Без установленного пылесборника фиксатор выполняет функцию блокирующего устройства.*

*Обязательно проверяйте правильность установки держателя пылесборника (18) и самого пылесборника (29), прежде чем закрыть крышку отсека пылесборника (13). После каждой установки сначала аккуратно заправляйте края пылесборника (29) внутрь отсека пылесборника, а затем закрывайте крышку (13).*

## ИСПОЛЬЗОВАНИЕ ПЫЛЕСОСА

### Меры предосторожности

- Не производите уборку пылесосом в непосредственной близости от сильно нагретых поверхностей, например, рядом с печель-

ницами, а также в местах хранения легко-воспламеняющихся жидкостей.

- Перед началом уборки уберите с пола острые предметы, чтобы не допустить повреждения устройства.
- Если во время уборки резко снизилась всасывающая мощность пылесоса, немедленно выключите его и проверьте телескопическую трубку или шланг на предмет засорения. Выключите пылесос, затем отключите его от электрической сети, устранив засор, и только после этого можно продолжать уборку.

## ЭКСПЛУАТАЦИЯ

**Внимание!** Включать пылесос можно только с установленным пылесборником (29), а также с входным (21) и выходными (24,25,26) фильтрами. Обязательно проверяйте правильность установки фильтров.

- Перед началом работы вытяните сетевой шнур на необходимую длину и вставьте вилку сетевого шнура в электрическую розетку.
- Жёлтая отметка на сетевом шнуре предупреждает о максимальной длине сетевого шнура. Запрещается вытягивать сетевой шнур дальше красной отметки.
- Для включения пылесоса нажмите на кнопку включения/выключения (17).
- Во время работы вы можете регулировать мощность всасывания с помощью электронного регулятора мощности всасывания (16), а также с помощью ручного регулятора мощности всасывания (6), расположенного на ручке гибкого шланга (5).
- По окончании уборки в помещении нажмите на кнопку включения/выключения (17) и извлеките вилку сетевого шнура из электрической розетки.
- Для сматывания сетевого шнура нажмите на кнопку сматывания (15) и придерживайте рукой сматывающийся шнур во избежание его захлёстывания и повреждения.

## ЧИСТКА И УХОД

- Если во время работы пылесоса индикатор заполнения пылесборника (14) переключится на «красный», необходимо очистить тканевый пылесборник.
- Прежде чем очистить пылесборник (29), выключите пылесос и извлеките вилку

сетевого шнура из электрической розетки. Для очистки тканевого пылесборника (29) расположите его над мусорным контейнером и снимите пластмассовый зажим. В случае необходимости промойте тканевый пылесборник тёплой водой с мягким моющим средством и тщательно просушите, после чего установите пластмассовый зажим на место.

- Следите за чистотой входного фильтра (21) и выходных НЕРА-фильтра (25) и поролоновых фильтров (24,26), поскольку от этого зависит эффективность работы пылесоса; проводите чистку фильтров не менее трёх-четырёх раз в год, а при сильном засорении – чаще.

## Чистка входного фильтра (21)

- Выключите пылесос и отключите его от электрической сети.
- Откройте крышку отсека пылесборника (13), нажав на фиксатор (12). Извлеките пылесборник (29).
- Нажмите на фиксатор (22) и откройте решётку входного фильтра (20). Взявшись за входной фильтр (21) извлеките его из держателей решетки, потянув его по направлению вверх.
- Промойте входной фильтр (21) тёплой водой, тщательно просушите и установите его в держатели решетки (20).
- Закройте решётку входного фильтра (21), нажав на фиксатор (22), до характерного щелчка.
- Установите пылесборник (29) на место.
- Закройте крышку отсека пылесборника (13).

## Чистка выходных фильтров (24,25,26)

- Выключите пылесос и отключите его от электрической сети.
- Снимите решётку выходного фильтра (23), нажав на фиксаторы (27), извлеките НЕРА-фильтр (25). Из решетки (23) извлеките выходной фильтр (24), а из выходного воздушного отверстия пылесоса извлеките защитный фильтр (26).
- Промойте фильтры (24,25,26) под струёй слегка тёплой воды. Не используйте для промывки фильтров посудомоечную машину.



- Просушите фильтры (**24,25,26**). Запрещается использовать фен для сушки фильтров.
- Установите фильтр (**24**) внутрь решетки (**23**), в соответствии с её формой. Для надёжной фиксации фильтра (**24**), внутри решётки (**23**) имеются направляющие.
- Установите защитный фильтр (**26**) в выходное воздушное отверстие пылесоса, затем установите HEPA-фильтр (**25**).
- Установите на место решётку выходного фильтра (**23**) с установленным фильтром (**24**).

#### **Примечания:**

- *Перед установкой фильтров (**21,24,25,26**) убедитесь в том, что они сухие.*
- *Запрещается использовать фен для сушки фильтров (**21,24,25,26**).*

#### **Корпус пылесоса**

- Протирайте корпус пылесоса слегка влажной мягкой тканью, после чего вытрите насухо.
- Запрещается погружать корпус пылесоса, сетевой шнур и вилку сетевого шнура в воду или в любые другие жидкости. Не допускайте попадания жидкости внутрь корпуса пылесоса.
- Запрещается для чистки поверхности пылесоса использовать растворители и абразивные чистящие средства.

#### **ХРАНЕНИЕ**

- Прежде чем, убрать пылесос на длительное хранение, проведите чистку корпуса, пылесборника и фильтров (**21,24,25,26**).
- Для удобства при хранении используйте место горизонтальной или вертикальной «парковки» щётки (**28**).
- Храните пылесос в сухом прохладном месте, недоступном для детей.

#### **КОМПЛЕКТАЦИЯ**

1. Пылесос с установленными фильтрами и тканевым пылесборником – 1 шт.
2. Гибкий шланг – 1 шт.
3. Телескопическая удлинительная трубка – 1 шт.
4. Щётка UltraClean для пола/ковровых покрытий – 1 шт.
5. Насадка-щётка UltraClean для мебели 2 в 1 – 1 шт.
6. Телескопическая щелевая насадка – 1 шт.
7. Держатель насадок – 1 шт.
8. Дополнительный тканевый пылесборник – 1 шт.
9. Инструкция – 1 шт.

#### **ТЕХНИЧЕСКИЕ ХАРАКТЕРИСТИКИ**

Напряжение питания: 220-240 В ~ 50 Гц  
 Потребляемая мощность: 1800-2200 Вт  
 Мощность всасывания: 450 Вт

*Производитель оставляет за собой право изменять характеристики прибора без предварительного уведомления*

**Срок службы прибора – 3 года**



*Данное изделие соответствует всем требованиям европейским и российским стандартам безопасности и гигиены.*

**Изготовитель:** АНДЕР ПРОДАКТС ГмБХ, Австрия

**Адрес:** Нойбаугюртель 38/7А, 1070 Вена, Австрия

**Информация для связи** – email: [anderproduct@gmail.com](mailto:anderproduct@gmail.com)

Информация об Импортёре указана на индивидуальной упаковке.

Информация об авторизованных (уполномоченных) сервисных центрах указана в гарантийном талоне и на сайте [www.vitek.ru](http://www.vitek.ru)

Единая справочная служба:  
 +7 (495) 921-01-70

Сделано в Китае

# ҚАЗАҚША

## VT-1898 BK ШАҢСОРҒЫШЫ

Құрылғы үй-жайларды жинастыруға арналған.

### СИПАТТАМАСЫ

1. Еденге/ кілем жабындыларына арналған UltraClean қылшағы.
2. «ЕДЕН/КІЛЕМ» тәртіптемелерін ауыстырып-қосқыш
3. Телескопиялық құбыршаларды бекіткіш
4. Телескопиялық ұзартқыш құбырша
5. Иілгіш шланг тұтқасы
6. Сору қуатын қолмен реттеуші
7. Иілгіш шланг
8. Иілгіш шланг ұштығы
9. Иілгіш шланг ұштығының бекіткіші
10. Ауа тартқыш тесік
11. Тасымалдауға арналған тұтқа
12. Шаң жинағыш бөлімі қақпағының бекіткіші
13. Шаң жинағыш бөлімінің қақпағы
14. Шаң жинағыш толуының индикаторы
15. Желі бауын орап алатын батырма
16. Сору қуатының электронды реттеушісі
17. Қосу/сөндіру батырмасы
18. Шаң жинағышты ұстағыш
19. Шаң жинағышты бекіткіш
20. Кіру сүзгісінің торы
21. Кіру сүзгісі
22. Кіру сүзгісі торының бекіткіші
23. Шығу сүзгісінің торы
24. Шығу сүзгісі
25. Шығу HEPA-сүзгісі
26. Қорғаныс сүзгісі
27. Шығу сүзгісі торының бекіткіші
28. Қылшақты тік және көлденең “орналастыратын” орын
29. Пластмассалы қысқышы бар көп реттік маталы шаң жинағыш
30. Жиһазға арналған 2-еуі 1-еуде (жиналмалы) қондырма-қылшағы
31. Телескопиялық саңылаулы қондырма
32. Қондырмаларды ұстағыш

### НАЗАР АУДАРЫҢЫЗ!

Қосымша қорғаныс үшін қоректендіру тізбегіне токтың номиналды іске қосылуы, 30 мА аспайтын, қорғаныс сөндіру құрылғысын (ҚСҚ) орнатқан тиімді. ҚСҚ-ны орнату үшін маманға жүгініңіз.

### ҚАУІПСІЗДІК ШАРАЛАРЫ

Электрқұралын қолдану алдында пайдалану нұсқаулығын мұқият оқып шығыңыз және оны анықтағыш материал ретінде пайдалану үшін

сақтап қойыңыз. Құрылғыны осы нұсқаулықта айтылғандай, тікелей тағайыны бойынша пайдаланыңыз. Құралды дұрыс пайдаланбау жағдайы оның бұзылуына әкеліп соғуы, пайдаланушыға немесе оның мүлкіне зиян келтіруі мүмкін.

Өрт шығу қаупін төмендету үшін, электр тогы соғуынан сақтану үшін және жарақаттанудан сақтану үшін төменде келтірілген ұсыныстарды қолданыңыз.

- Құрылғыны электр желісіне қосар алдында құрылғыда көрсетілген жұмыс кернеуі сіздің үйіңіздегі электр желісінің кернеуіне сәйкестігіне көз жеткізіңіз.
- Өрт қаупін болдырмау үшін құрылғыны электр розеткасына қосарда жалғастырғыштарды пайдаланбаңыз.
- Шаңсорғышты электр розеткасына қосылған күйде қараусыз қалдырмаңыз. Егер шаңсорғышты пайдаланбасаңыз, қондырмаларды ауыстырар болсаңыз, сондай-ақ құрылғының күтімін жасар алдында желі бауының ашасын электр розеткасынан міндетті түрде алып тастаңыз.
- Электр тогы соғуын болдырмау үшін шаңсорғышты үй-жайдан тыс жерде пайдаланбаңыз, шаңсорғышты суды немесе кез келген басқа сұйықтықты жинау үшін пайдалануға тыйым салынады (шаңсорғышты ылғалды беттерге пайдаланбаңыз).
- Шаңсорғышты тек тасымалдауға арналған тұтқасынан ұстап қана тасымалдауға болады.
- Желі бауын шаңсорғышты тасымалдау үшін пайдаланбаңыз, егер желі бауы ашық есіктен өткен болса, есікті жаппаңыз, жиһаздың өткір шеттеріне, сондай-ақ ысыған беттерге желі бауының тиюін болдырмаңыз. Үй-жайды жинастыру барысында шаңсорғышпен желі бауын басып өтуге тыйым салынады - сіз оны зақымдап алуыңыз мүмкін. Шаңсорғышты алдымен міндетті түрде қосу/сөндіру батырмалары арқылы сөндіріңіз, содан кейін ғана электр желісінің ашасын электр розеткасынан алуға болады.
- Құрылғыны электр желісінен сөндірерде, желі бауын тартпаңыз, желі бауының ашасынан ұстаңыз.
- Желі бауының ашасына немесе шаңсорғыш корпусына сулы қолыңызбен тиіспеңіз.
- Желі бауын орау барсында бауды қолыңызбен ұстап отырыңыз желі ашасының еденге соғылуын болдырмаңыз.

- Құрылғының шығу тесігін кез келген заттармен жабуға тыйым салынады.
- Егер тесіктерінің біреуі жабылып қалса, құрылғыны қосуға тыйым салынады.
- Шашыңыз, киіміңіздің еркін ілініп тұрған элементтері, саусақтарыңыз немесе басқа да дене мүшесі бөлшектеріңіз шаңсорғыштың ауа тартқыш тесігінің жанында болмауын қадағалаңыз.
- Басқыштар алаңшасын жинастыру барысында аса мұқият болыңыз.
- Шаңсорғышты еріткіштер мен бензин сияқты тез тұтанғыш сұйықтықтарды жинау үшін пайдалануға тыйым салынады; шаңсорғышты осындай сұйықтықтар сақталатын жерде пайдалануға тыйым салынады.
- Шаңсорғыш арқылы суды немесе кез келген басқа да сұйықтықтарды жинауға, жанып жатқан немесе түтіндеп жатқан шылымдарды, сіріңкелерді, шоқтанған күлді, сондай-ақ сылақ, бетон, ұн немесе күл сияқты жіңішке дисперсті шаңды жинауға тыйым салынады.
- Шаңсорғышты пайдалануға тыйым салынады, егер:
  - шаң жинағыш қате орнатылса немесе мүлдем орнатылмаса;
  - шығу және кіру сүзгілері орнатылмаса.
- Шаңсорғыш корпусын суға немесе кез келген басқа сұйықтыққа батырмаңыз.
- Жеткізілім жиынтығына кіретін аксессуарлар мен қондырмаларды ғана пайдаланыңыз.
- Шаңсорғышты уақытымен тазалап отырыңыз.
- Шаңсорғышты құрғақ және салқын жерде сақтаңыз.
- Үй жануарларын тазалау үшін шаңсорғышты пайдаланбаңыз.
- Жұмыс істеп тұрған құрылғының жанында балалар немесе мүмкіндіктері шектеулі тұлғалар болса өте мұқият болыңыз.
- Осы құрылғы балалардың пайдаланымына тағайындалмаған. Жұмыс істеу барысында және жұмыс айналымдары арасындағы үзілістерде құрылғына тек балалардың қолы жетпейтін жерге орнатыңыз.
- Құрал физикалық, психикалық қабілеттері төмен және ақыл-есі кемдеу (соның ішінде балалар да) тұлғалардың пайдалануына тағайындалмаған немесе олардың білімдері мен тәжірибесі болмаса, егер оларға құрылғыны пайдалану туралы нұсқаулық

- берілмесе немесе қауіпсіздігіне жауапты тұлғаның қадағалауында болмаса.
- Құрылғыны ойыншық ретінде пайдалануын болдырмау үшін, балаларды қадағалаңыз.
- Балалардың қауіпсіздігі үшін орама ретінде пайдаланылатын, полиэтилен пакеттерді қадағалаусыз қалдырмаңыз.

**Назар аударыңыз!** Балаларға полиэтилен пакеттерімен немесе орама плёнкасымен ойнауға рұқсат етпеңіз. **Тұншығу қауіпі!**

- Құрылғыны тек заут орамасында тасымалдаңыз.
- Желі бауы және желі бауының ашасында небір зақым болуына қатысты уақыт сайын тексеріп отырыңыз.
- Желі бауы немесе желі ашасында небір зақым болса, егер құрылғы кідіріспен жұмыс істесе, сондай-ақ ол құлаған жағдайда құрылғыны пайдалануға тыйым салынады.
- Құралды өздігінен жөндеуге тыйым салынады. Кез келген ақау шыққан жағдайда, құралды өздігіңізден бөлшектемеңіз, сондай-ақ құрылғы құлаған жағдайда құралды розеткадан ажыратыңыз және кез келген авторланған (уәкілетті) сервистік орталыққа кепілдік талонында көрсетілген байланысу мекенжайы бойынша және [www.vitek.ru](http://www.vitek.ru) сайтына жүгініңіз.
- Құрылғыны құрғақ салқын орында, балалардың және мүмкіндігі шектеулі адамдардың қолы жетпейтін жерде сақтаңыз.

**ҚҰРЫЛҒЫ ТЕК ҮЙ ПАЙДАЛАНЫМДАРЫ ҮШІН ҒАНА ТАҒАЙЫНДАЛҒАН**

## ШАҢСОРҒЫШТЫ ҚҰРАСТЫРУ

**Тасымалданғаннан кейін немесе құрылғы төмен температурада сақталған болса оны бөлме температурасында үш сақаттан кем емес уақыт ұстау қажет.**

- Құрылғыны орамасынан толық шығарыңыз, құрылғының жұмыс істеуіне кедергі келтіретін кез келген жапсырмаларды алып тастаңыз.
- Құрылғының бүтіндігін тексеріңіз, зақымданғаны анықталса құрылғыны пайдаланбаңыз.
- Құрылғыны қосар алдында электр желісінің кернеуі құрылғының жұмыс кернеуіне сәйкестігіне көз жеткізіңіз.

**Ескерту:** Әрқашан қондырма-қылшақтарды алмастырар алдында, шаң жинағышты (29)

# ҚАЗАҚША

*алмастырар немесе тазалар алдында шаңсорғышты сөндіріңіз және желі бауының ашасын электр розеткасынан алып тастаңыз.*

## **Иілгіш шлангіні шешу және тағу**

- Иілгіш шлангінің ұштығын (8) ауа тартқыш тесікке (10) тығыңыз.
- Шлангіні күш салып, бекігенге дейін тығыңыз.
- Иілгіш шлангіні шешу қажет болғанда бекіткіштерге (9) басыңыз да шлангіні шешіп алыңыз.

## **Телескопиялық ұзартқыш құбырша мен қондырмаларды тағу**

- Телескопиялық ұзартқыш құбыршаны (4) иілгіш шлангінің тұтқасына (5) тағыңыз.
- Алдын ала бекіткішке (3) басып, телескопиялық ұзартқыштың төменгі жағын қажетті ұзындыққа жылжытыңыз.
- Қажетті еденге/кілем жабындыларына (1) арналған қылшақ-қондырманы, жиһазға арналған қылшақ-қондырманы (30) немесе құрамдастырылған саңлаулы қондырма - қылшақты (31) таңдаңыз да оны телескопиялық ұзартқыш құбыршасына (4) тағыңыз

## **Қылшақ-ҚОНДЫРМАЛАРДЫ ПАЙДАЛАНУ** **Еденге/кілем жабындыларына арналған UltraClean қылшағы (1).**

Қылшаққа (1) орнатылған ауыстырып-қосқышты (2) қажетті жағдайға қойыңыз (жинастырып жатқан беттің түріне қарай).

## **Жиһазға арналған 2-еуі 1-еуде қондырма-қылшағы (30) (жиналмалы)**

Қондырма-қылшақ (30) жұмсақ жиһаздың маталы бетін тазартуға арналған, және жиһаздың жылтыр бетінен шаңды соруға арналған. Жиһаздың жылтыр бетінен шаңды сору үшін қондырмадан қылшақты алып тастаңыз, осы орайда қондырманың (30) түгі жиһаздың жылтыр бетін зақымданудан сақтайды.

## **Құрамдастырылған саңлаулы қондырма-қылшақ(31)**

Қондырма радиаторлар мен саңлауларды, бұрыштарды, диван жастықтарының арасын тазалауға арналған. Қажет болған жағдайда телескопиялық қондырманы бар ұзындығына жалжытыңыз.

## **Қондырмаларды ұстағыш (32)**

Қондырмаларды сақтау ыңғайлылығы үшін, жиынтықта қондырмалар ұстағышы қарастырылған. Ұстағышты телескопиялық құбыршаға бекітіңіз де оған қондырмаларды (30) және (31) орнатыңыз

## **Шаң жинағышты (29) пайдалану**

Жеткізілім жиынтығына тазалауға ыңғайлы болу үшін қажетті пластмассалы қысқыштары бар 2 маталы шаң жинағыш (29) кіреді.

- Қақпақтың бекіткішіне (12) басып қалып, шаң жинағыш бөлімінің қақпағын (13) ашыңыз.
- Шаң жинағыштың бекіткішінен (18) ұстаңыз және оны тартып, шаң жинағыш бекіткішін (18) шаң жинағышпен (29) бірге бекіткіштерден (19) алып шығыңыз.
- Маталы шаңжинағышты (29) тазалау үшін оны қоқыс контейнерінің үстінде ұстаңыз да пластмассалы қысқышты шешіп алыңыз. Тазалағаннан кейін пластмассалы қысқышты орнына орнатыңыз.
- Шаң жинағышты (29) орнату үшін шаң жинағыш ұстағышын (18) бекіткіш ойықтарына (19) бекігенге дейін тығыңыз.
- Шаң жинағыш бөлімінің қақпағын (13) жабыңыз.

**Ескерту:** Қақпақты (13) орнатылған шаң жинағышсыз (29) жабуға тырыспаңыз, себебі Сіз бекіткішті (19) зақымдап алуыңыз мүмкін. Шаң жинағыш орнатылмағанда, бекіткіш блоктау құрылғысы қызметін орындайды. Шаң жинағыш бөлімі қақпағын (13) жабар алдында шаң жинағыш ұстағышы (18) мен шаң жинағыштың (29) өзінің орналасуы дұрыстығын міндетті түрде тексеріп отырыңыз. Әр орнатудан кейін алдымен шаң жинағыштың (29) шеттерін шаң жинағыш бөлімінің ішіне абайлап тығыңыз, содан кейін қақпақты (13) жабыңыз.

## **ШАҢСОРҒЫШТЫ ПАЙДАЛАНУ**

### **Сақтандыру шаралары**

- Қатты ысыған беттердің, мысалы күлсауыттың жанында сондай-ақ тез тұтанғыш сұйықтықтарды сақтайтын жерлердің тікелей жанында шаңсорғышпен жинастыруды жасамаңыз.
- Құрылғының зақымдануын болдырмау үшін, жинастырудың алдында еденнен үшкір заттарды алып тастаңыз.
- Егер жинастыру барысында шаңсорғыштың сору қуаты күрт төмендеп кетсе, оны дереу сөндіріңіз және телескопиялық құбырды

немесе шлангіні қоқыстануына қатысты тексеріңіз. Шаңсорғышты сөндіріңіз, оны электр желісінен ажыратыңыз, қоқыстан тазартыңыз, содан кейін ғана жинастыруды жалғастыруға болады.

## ПАЙДАЛАНУЫ

**Назар аударыңыз! Шаңсорғышты шаң жинағышы (29), сондай-ақ кіру (21) және шығу (24,25,26) сүзгілері орнатылған жағдайда ғана қосуға болады. Сүзгілердің дұрыс орнатылғанын міндетті түрде тексеріңіз**

- Жұмыстың алдында желі бауын қажетті ұзындыққа тартып, электр желісінің ашасын электр розеткасына тығыңыз.
- Желі бауындағы сары белгі желі бауының барынша ұзындығының ескертуі. Желі баун қызыл белгіден асырып тартуға тыйым салынады.
- Шаңсорғышты қосу үшін қосу/ сөндіру (17) батырмасын басыңыз.
- Жұмыс барысында сору қуатын сору қуатының электрондық реттеушісімен (16), сондай-ақ иілгіш шлангі тұтқасында (5) орналасқан сору қуатының қолмен реттеушісі (6) арқылы реттеуге мүмкіндігіңіз бар.
- Үй-жайды жинастыруды аяқтағаннан кейін қосу/сөндіру батырмасына (17) басыңыз және желі бауының ашасын электр розеткасынан алып тастаңыз
- Желі бауын орау үшін орау батырмасына (15) басыңыз және зақымдануы мен осылуын болдырмау үшін, тартылатын бауды қолмен ұстап тұрыңыз.

## ТАЗАЛАУЫ МЕН КҮТІМІ

- Егер шаңсорғыш жұмыс істеп тұрғанда, шаң жинағыштың индикаторы (14) „қызылға” ауысатын болса, маталы шаң жинағышты тазарту қажет.
- Шаң жинағышты (29) тазалар алдында шаңсорғышты сөндіріңіз де желі бауының ашасын электр розеткасынан алып тастаңыз. Маталы шаң жинағышты (29) тазарту үшін қоқыс контейнерінің үстінде ұстаңыз да пластмассалы қысқышты шешіп алыңыз. Қажет болған жағдайда маталы шаң жинағышты жылы сумен жұмсақ жуу құралын қосып жуып жіберіңіз, содан кейін пластмассалы қысқышты орнына орнатыңыз.
- Кіру сүзгісі (21) мен шығу HEPA-сүзгісі (25) және поролоннан жасалған шығу сүзгілерінің (24,26), тазалығын тексеріп

отырыңыз, себебі шаңсорғыш жұмысының тиімділігі соған байланысты; сүзгілерді жылына үш-төрт рет тазартыңыз, ал өте ластанған жағдайда – жиірек.

## Кіру сүзгісін (21) тазарту

- Шаңсорғышты сөндіріңіз және оны электр желісінен ажыратыңыз.
- Бекіткішке (12) басып қалып, шаң жинағыш бөлімінің қақпағын (13) ашыңыз. Шаң жинағышты (29) алып шығыңыз.
- Бекіткішке (22) басып қалып, кіру сүзгісінің торын (20) ашыңыз. Кіру сүзгісінен (21) ұстап, оны жоғары бағыт бойынша тартып, торды ұстағыштардан алып шығыңыз.
- Кіру сүзгісін (21) жылы сумен жуып жіберіңіз, мұқият құрғатыңыз және оны торды ұстағыштарға (20) орнатыңыз.
- Бекіткішті (22) сытыр еткенге дейін басып қалып, шкіру сүзгісінің торын (21) жабыңыз.
- Шаң жинағышты (29) орнына орнатыңыз.
- Шаң жинағыш бөлімінің қақпағын (13) жабыңыз.

## Шығу сүзгілерін (24,25,26) тазарту

- Шаңсорғышты сөндіріңіз және оны электр желісінен ажыратыңыз.
- Бекіткішке (27) басып қалып, шығу сүзгісінің торын (23) шешіп алыңыз да HEPA-сүзгісін (25) алып шығыңыз. Тордан (23) шығу сүзгісін (24) шығарып алыңыз, ал шаңсорғыштың ауа шығатын тесігінен қорғаныс сүзгісін (26) алып тастаңыз.
- Шығу сүзгілерін (24,25,26) сәл жылы су ағынының астында жуып жіберіңіз. Сүзгілерді жуу үшін ыдыс жуу машинесін пайдаланбаңыз.
- Сүзгілерді (24,25,26) құрғатыңыз. Сүзгіні құрғату үшін фенді пайдалануға тыйым салынады.
- Сүзгіні (24) оның формасына сәйкестендіріп тордың (23) ішіне орнатыңыз. Сүзгіні (24) мықтап бекіту үшін, тордың (23) ішінде бағыттауыштары бар.
- Қорғаныс сүзгісін (26) шаңсорғыштағы ауа шығатын тесігіне орнатыңыз, содан кейін HEPA-сүзгіні (25) орнатыңыз.
- Сүзгісі (24) орнатылғаннан кейін шығу сүзгісінің торын (23) орнына орнатыңыз.

## Ескертулер:

- Сүзгілерді (21, 24, 25, 26) орнатарда олардың құрақтығына көз жеткізіңіз.
- Сүзгілерді (21, 24, 25, 26) құрғату үшін фенді пайдалануға тыйым салынады.

# ҚАЗАҚША

## Шаңсорғыш корпусы

- Шаңсорғыш корпусын сәл ылғалданған жұмсақ матамен сүртіңіз, содан кейін құрғатып сүртіп алыңыз.
- Шаңсорғыш корпусын, желі бауы мен желі бауының ашасын суға немесе кез келген басқа сұйықтыққа батыруға тыйым салынады. Шаңсорғыш корпусының ішіне сұйықтық тиюін болдырмаңыз.
- Шаңсорғыш бетін тазарту үшін еріткіштер мен абразивті тазарту құралдарын пайдалануға тыйым салынады.

## САҚТАЛУЫ

- Шаңсорғышты ұзақ уақыт сақтауға қояр алдында, корпусын, шаң жинағышы мен сүзгілерін **(21,24,25,26)** тазартыңыз.
- Сақтау барысында ыңғайлылық үшін қылшақты **(28)** „орналастыратын“ тік немесе көлденең орынды пайдаланыңыз.
- Шаңсорғышты құрғақ және салқын, балалардың қолы жетпейтін жерде сақтаңыз.

## ЖИЫНТЫҚТАЛЫМЫ

1. Орнатылған сүзгілері мен маталы шаң жинағышы бар шаңсорғыш – 1 дана
2. Иілгіш шланг – 1 дана
3. Телескопиялық ұзартқыш құбырша – 1 дана
4. Еден/кілем жабындыларына арналған UltraClean қылшағы – 1 дана

5. Жиһазға арналған 2-еуі 1-еуде UltraClean қондырма-қылшағы – 1 дана
6. Құрамдастырылған саңылаулы қондырма – 1 дана
7. Қондырмаларды ұстағыш – 1 дана
8. Қосымша маталы шаң жинағыш – 1 дана
9. Нұсқаулық – 1 дана

## ТЕХНИКАЛЫҚ СИПАТТАМАЛАРЫ

Қоректену кернеуі: 220-240 В ~ 50 Гц  
Тұтынатын қуаты: 1800-2200 Вт  
Сору қуаты: 450 Вт

*Өндіруші алдын ала ескертусіз құралдың сипаттамаларына өзгертулер енгізу құқығын өзінде қалдырады.*

**Құралдың қызмет көрсету мерзімі – 3 жыл**

## Гарантиялық міндеттілігі

Гарантиялық жағдайдағы қаралып жатқан бөлшектер дилерден тек сатып алынған адамға ғана беріледі. Осы гарантиялық міндеттілігіндегі шағымдалған жағдайда төлеген чек немесе квитанциясын көрсетуі қажет.

**EAC**

## ПИЛОСОС VT-1898 BK

Пристрій призначений для прибирання при-  
міщень.

### ОПИС

1. Щітка UltraClean для підлоги/килимових покриттів
2. Перемикач режимів «ПІДЛОГА/КИЛИМ»
3. Фіксатор телескопічної трубки
4. Телескопічна подовжувальна трубка
5. Ручка гнучкого шланга
6. Ручний регулятор потужності всмоктування
7. Гнучкий шланг
8. Наконечник гнучкого шланга
9. Фіксатори наконечника гнучкого шланга
10. Повітрязабірний отвір
11. Ручка для перенесення
12. Фіксатор кришки відсіку пилозбірника
13. Кришка відсіку пилозбірника
14. Індикатор заповнення пилозбірника
15. Кнопка змотування мережного шнура
16. Електронний регулятор потужності всмоктування
17. Кнопка увімкнення/вимкнення
18. Тримач пилозбірника
19. Фіксатори пилозбірника
20. Решітка вхідного фільтра
21. Вхідний фільтр
22. Фіксатор решітки вхідного фільтра
23. Решітка вихідного фільтра
24. Вихідний фільтр
25. Вихідний НЕРА-фільтр
26. Захисний фільтр
27. Фіксатори решітки вихідного фільтра
28. Місце горизонтального і вертикального «паркування» щітки
29. Багаторазовий тканинний мішок з пластмасовим затискачем
30. Насадка-щітка для меблів 2 у 1 (розбірна)
31. Телескопічна щілинна насадка
32. Тримач насадок

### УВАГА!

Для додаткового захисту в ланцюг живлення доцільно встановити пристрій захисного вимкнення (ПЗВ) з номінальним струмом спрацювання, що не перевищує 30 mA; при установленні слід звернутися до фахівця.

### ЗАПОБІЖНІ ЗАХОДИ

Перед використанням пристрою уважно прочитайте цю інструкцію з експлуатації і збері-

гайте її протягом всього терміну експлуатації. Використовуйте пристрій тільки за його прямим призначенням, як викладено у цьому керівництві. Неправильне поводження з пристроєм може призвести до його поломки, завдання шкоди користувачеві або його майну.

Для зниження ризику виникнення пожежі, для захисту від ураження електричним струмом та захисту від травм дотримуйтеся приведених нижче рекомендацій.

- Перш ніж підімкнути пристрій до електромережі, переконайтеся в тому, що напруга, що вказана на пристрої, відповідає напрузі електромережі у вашому будинку.
- Щоб уникнути ризику виникнення пожежі, не використовуйте перехідники при підмиканні пристрою до електричної розетки.
- Не залишайте пилосос без нагляду, коли він увімкнений у мережну розетку. Обов'язково виймайте вилку мережного шнура з електричної розетки, якщо не користуєтесь пилососом, при зміні насадок, а також перед обслуговуванням пристрою.
- Для зниження ризику ураження електричним струмом не використовуйте пилосос поза приміщеннями, забороняється використовувати пилосос для збирання води або будь-якої іншої рідини (не використовуйте пилосос на вологих поверхнях).
- Переносити пилосос можна тільки узявшись за ручку для перенесення.
- Не використовуйте мережний шнур для перенесення пилососа, не закривайте двері, якщо мережний шнур проходить через дверний проріз, уникайте контакту мережного шнура з гострими кроями або кутами меблів, а також з нагрітими поверхнями. Під час прибирання приміщення забороняється переїжджати пилососом через мережний шнур – ви можете його пошкодити. Спочатку обов'язково вимикайте пилосос кнопкою увімкнення/вимкнення, і тільки після цього можна виймати вилку мережного шнура з електричної розетки.
- Вимикаючи пристрій з електричної мережі, не тягніть за мережний шнур, а беріться за вилку мережного шнура.
- Не торкайтеся мережної вилки або корпусу пилососа мокрими руками.



# УКРАЇНЬСКА

- Під час змотування мережного шнура притримуйте шнур рукою, не допускайте, щоб мережна вилка вдарялася об поверхню підлоги.
- Забороняється закривати вихідний отвір пристрою якими-небудь предметами.
- Забороняється вмикати пристрій, якщо який-небудь з його отворів заблокований.
- Наглядайте за тим, щоб волосся, елементи одягу, що вільно висять, пальці або інші частини тіла не знаходилися поряд з повітрязабірними отворами пилососа.
- Будьте особливо уважні при прибиранні сходових майданчиків.
- Забороняється використовувати пилосос для збирання розчинників та легкозаймистих рідин, таких як бензин; забороняється використовувати пилосос у місцях зберігання таких рідин.
- Забороняється за допомогою пилососа збирати воду або будь-які інші рідини, гарячі або димлячі сигарети, сірники, тліючий попіл, а також тонкодисперсний пил, наприклад, від тиньку, бетону, борошна або золи.
- Забороняється використовувати пилосос, якщо:
  - не встановлений або неправильно встановлений фільтр;
  - не встановлені вхідний та вихідний фільтри.
- Не занурюйте корпус пилососа у воду або у будь-які інші рідини.
- Використовуйте тільки ті аксесуари та насадки, що входять до комплекту поставання.
- Робіть регулярне чищення пилососа.
- Зберігайте пилосос у сухому прохолодному місці.
- Не використовуйте пилосос для чищення домашніх тварин.
- Будьте особливо уважні, якщо поблизу від працюючого пристрою знаходяться діти або особи з обмеженими можливостями.
- Цей пристрій не призначений для використання дітьми. Під час роботи та у перервах між робочими циклами розміщайте пристрій у місцях, недоступних для дітей.
- Пристрій не призначений для використання особами (включаючи дітей) зі зниженими фізичними, психічними і розумовими здібностями або при відсутності у них досвіду або знань, якщо вони не знаходяться під

контролем або не проінструктовані щодо використання пристрою особою, відповідальною за їх безпеку.

- Здійснюйте нагляд за дітьми, щоб не допустити використання пристрою як іграшки.
- З міркувань безпеки дітей не залишайте поліетиленові пакети, що використовуються як упаковка, без нагляду.

**Увага! Не дозволяйте дітям грати з поліетиленовими пакетами або пакувальною плівкою. Небезпека задусення!**

- Перевозьте пристрій лише у заводській упаковці.
- Регулярно перевіряйте стан вилки мережного шнура і сам мережний шнур на наявність пошкоджень.
- Забороняється використовувати пристрій за наявності пошкоджень мережної вилки або мережного шнура, якщо пристрій працює з перебоями, а також після падіння пристрою.
- Забороняється самостійно ремонтувати пристрій. Не розбирайте пристрій самостійно, при виникненні будь-яких несправностей, а також після падіння пристрою вимкніть пристрій з електричної розетки та зверніться до будь-якого авторизованого (уповноваженого) сервісного центру за контактними адресами, вказаними у гарантійному талоні та на сайті [www.vitek.ru](http://www.vitek.ru).
- Зберігайте пристрій у місцях, недоступних для дітей та людей з обмеженими можливостями.

**ПРИСТРІЙ ПРИЗНАЧЕНИЙ ТІЛЬКИ ДЛЯ ДОМАШНЬОГО ВИКОРИСТАННЯ**

## СКЛАДАННЯ ПИЛОСОСА

**Після транспортування або зберігання пристрою при зниженій температурі необхідно витримати його при кімнатній температурі не менше трьох годин.**

- Повністю розпакуйте пристрій та видаліть будь-які наклейки, що заважають роботі пристрою.
- Перевірте цілісність пристрою, за наявності пошкоджень не користуйтеся пристроєм.
- Перед вмиканням переконайтеся в тому, що напруга електричної мережі відповідає робочій напрузі пристрою.

**Примітка:** Кожного разу перед заміною щіток-насадок, перед чищенням або замі-



ною пілозбірника (29) вимикайте пілосос і виймайте вилку мережного шнура з електричної розетки.

### Приєднання і зняття гнучкого шланга

- Вставте наконечник гнучкого шланга (8) у повітрязабірний отвір (10).
- Вставляйте шланг з невеликим зусиллям, до фіксації.
- З необхідності зняти гнучкий шланг натисніть на фіксатори (9) і від'єднайте шланг.

### Під'єднання телескопічної трубки і насадок

- Приєднайте телескопічну подовжувальну трубку (4) до ручки гнучкого шланга (5).
- Висуньте нижню частину телескопічної трубки на необхідну довжину, попередньо натиснувши на фіксатор (3).
- Виберіть необхідну насадку – щітку для підлоги/килимових покриттів (1), насадку-щітку для меблів (30) або телескопічну щілинну насадку (31) – і приєднайте її до телескопічної подовжувальної трубки (4).

### ВИКОРИСТАННЯ ЩІТОК-НАСАДОК

#### Щітка для UltraClean підлоги/килимових покриттів (1)

Установіть перемикач (2) на щітці (1) у необхідне положення (залежно від типу поверхні, на якій здійснюється прибирання).

#### Насадка-щітка для меблів 2 у 1 (30) (розбірна)

Насадка-щітка (30) призначена для чищення тканинних поверхонь м'яких меблів та для збирання пилу з полірованої поверхні меблів. Для збирання пилу з полірованої поверхні меблів зніміть з насадки щітку, при цьому наявність ворсу на насадці (30) перешкоджає пошкодженню полірованої поверхні меблів.

#### Телескопічна щілинна насадка (31)

Насадка призначена для чищення радіаторів, щілин, кутів і простору між подушками диванів. У разі необхідності висуньте телескопічну насадку на всю довжину.

#### Тримач насадок (32)

Для зручності зберігання насадок у комплекті передбачений тримач насадок. Закріпіть тримач на телескопічній трубці та установіть на нього насадки (30) і (31).

### Використання пілозбірника (29)

До комплекту постачання уходить 2 тканинні пілозбірники (29) з пластмасовим затискачем для зручності.

- Відкрийте кришку відсіку пілозбірника (13), натиснувши на фіксатор кришки (12).
- Візьміться за тримач пілозбірника (18), і, потягнувши за нього, витягніть тримач пілозбірника (18) разом з пілозбірником (29) з фіксаторів (19).
- Для очищення тканинного пілозбірника (29) розташуйте його над сміттевим контейнером і зніміть пластмасовий затискач. Після очищення установіть пластмасовий затискач на місце.
- Для того, щоб встановити пілозбірник (29), вставте тримач пілозбірника (18) у пази фіксаторів (19) до упору.
- Закрийте кришку відсіку пілозбірника (13).

**Примітка:** Не намагайтеся закрити кришку (13) без встановленого пілозбірника (29), в іншому випадку Ви можете пошкодити фіксатор (19). Без встановленого пілозбірника фіксатор виконує функцію блокувального пристрою.

Обов'язково перевіряйте правильність установлення тримача пілозбірника (18) і самого пілозбірника (29), перш ніж закрити кришку відсіку пілозбірника (13). Після кожного установлення спочатку акуратно заправляйте краї пілозбірника (29) всередину відсіку пілозбірника, а потім закривайте кришку (13).

### ВИКОРИСТАННЯ ПИЛОСОСА

#### Запобіжні заходи

- Не робіть прибирання пілососом у безпосередній близькості від сильно нагрітих поверхонь, наприклад, поряд з попілничками, а також у місцях зберігання легкозаймистих рідин.
- Перед початком прибирання заберіть з підлоги гострі предмети, щоб не допустити пошкодження пристрою.
- Якщо під час прибирання різко знизилася всмоктувальна потужність пілососа, негайно вимкніть пілосос і перевірте телескопічну трубку або шланг на предмет засмічення. Вимкніть пілосос, потім вимкніть його з електромережі, усуньте засмічення, і тільки після цього можна продовжувати прибирання.

# УКРАЇНЬСКА

## ЕКСПЛУАТАЦІЯ

**Увага! Вмикати пилосос можна тільки зі встановленим пилозбірником (29), а також з вхідним (21) та вихідними (24, 25, 26) фільтрами. Обов'язково перевіряйте правильність встановлення фільтрів.**

- Перед початком роботи витягніть мережний шнур на необхідну довжину і вставте вилку мережного шнура в електричну розетку.
- Жовта відмітка на мережному шнурі попереджає про максимальну довжину мережного шнура. Забороняється витягувати мережевий шнур даліше червоної відмітки.
- Для увімкнення пилососа натисніть на кнопку увімкнення/вимкнення (17).
- Під час роботи ви можете регулювати потужність всмоктування за допомогою електронного регулятора потужності всмоктування (16), а також за допомогою ручного регулятора потужності всмоктування (6), розташованого на ручці гнучкого шланга (5).
- Після закінчення прибирання у приміщенні натисніть кнопку увімкнення/вимкнення (17) і витягніть вилку мережного шнура з електричної розетки.
- Для змотування мережного шнура натисніть на кнопку змотування (15) і притримуйте рукою змотувальний шнур, щоб уникнути його захльостування і пошкодження.

## ЧИЩЕННЯ ТА ДОГЛЯД

- Якщо під час роботи пилососа індикатор заповнення пилозбірника (14) перемикається на «червоний», необхідно очистити тканинний пилозбірник.
- Перш ніж очистити пилозбірник (29), вимкніть пилосос і витягніть вилку мережного шнура з електричної розетки. Для очищення тканинного пилозбірника (29) розташуйте його над сміттєвим контейнером і зніміть пластмасовий затискач. У разі необхідності промийте тканинний пилозбірник теплою водою з м'яким мийним засобом і ретельно просушіть, після чого встановіть пластмасовий затискач на місце.
- Наглядайте за чистотою вхідного фільтра (21) і вихідних HEPA-фільтра (25) та

поролоневих фільтрів (24,26), оскільки від цього залежить ефективність роботи пилососа; робіть чищення фільтрів не менше трьох-чотирьох разів на рік, а при сильному засміченні – частіше.

## Чищення вхідного фільтра (21)

- Вимкніть пилосос і вимкніть його з електричної мережі.
- Відкрийте кришку відсіку пилозбірника (13), натиснувши на фіксатор (12). Вийміть пилозбірник (29).
- Натисніть на фіксатори (22) та відкрийте решітку вхідного фільтра (20). Узввшись за вхідний фільтр (21), витягніть його з тримачів решітки, потягнувши його у напрямку вгору.
- Промийте вхідний фільтр (21) теплою водою, ретельно просушіть і встановіть його у тримачі решітки (20).
- Закрийте решітку вхідного фільтра (21), натиснувши на фіксатор (22) до характерного клацання.
- Установіть пилозбірник (29) на місце.
- Закрийте кришку відсіку пилозбірника (13).

## Чищення вихідних фільтрів (24,25,26)

- Вимкніть пилосос і вимкніть його з електричної мережі.
- Зніміть решітку вихідного фільтра (23), натиснувши на фіксатори (27), витягніть HEPA-фільтр (25). З решітки (23) витягніть вихідний фільтр (24), а з вихідного повітряного отвору пилососа витягніть захисний фільтр (26).
- Промийте фільтри (24,25,26) під струменем злегка теплої води. Не використовуйте для промивання фільтрів посудомийну машину.
- Просушіть фільтри (24,25,26). Забороняється використовувати фен для сушіння фільтрів.
- Установіть фільтр (24) всередину решітки (23) відповідно до його форми. Для надійної фіксації фільтра (24) всередині решітки (23) є напрямні.
- Установіть захисний фільтр (26) у вихідний повітряний отвір пилососа, потім установіть HEPA-фільтр (25).
- Установіть на місце решітку вихідного фільтра (23) з встановленим фільтром (24).

## Примітки:

- Перед установленням фільтрів (21,24,25,26) переконайтеся у тому, що вони сухі.
- Забороняється використовувати фен для сушіння фільтрів (21,24,25,26).

## Корпус пилососа

- Протирайте корпус пилососа злегка вологою м'якою тканиною, після чого витріть досуха.
- Забороняється занурювати корпус пилососа, мережний шнур і вилку мережного шнура у воду або у будь-які інші рідини. Не допускайте потрапляння рідини всередину корпусу пилососа.
- Забороняється для чищення поверхні пилососа використовувати розчинники і абразивні чистячі засоби.

## ЗБЕРІГАННЯ

- Перш ніж забрати пилосос на тривале зберігання, зробіть чищення корпусу, пилозбірника і фільтрів (21,24,25,26).
- Для зручності при зберіганні використовуйте місце горизонтального або вертикального «паркування» щітки (28).
- Зберігайте пилосос у сухому прохолодному місці, недоступному для дітей.

## КОМПЛЕКТАЦІЯ

1. Пилосос зі встановленими фільтрами і тканинним пилозбірником – 1 шт.
2. Гнучкий шланг – 1 шт.
3. Телескопічна подовжувальна трубка – 1 шт.

4. Щітка UltraClean для підлоги/килимових покриттів – 1 шт.
5. Насадка-щітка UltraClean для меблів 2 у 1 (1) – 1 шт.
6. Телескопічна щільнна насадка – 1 шт.
7. Тримач насадок – 1 шт.
8. Додатковий тканинний пилозбірник – 1 шт.
9. Інструкція – 1 шт.

## ТЕХНІЧНІ ХАРАКТЕРИСТИКИ

Напруга живлення: 220-240 В ~ 50 Гц  
 Споживальна потужність: 1800-2200 Вт  
 Потужність всмоктування: 450 Вт

*Виробник залишає за собою право змінювати характеристики пристрою без попереднього повідомлення*

**Термін служби пристрою – 3 роки**

## Гарантія

Докладні умови гарантії можна отримати в дилера, що продав дану апаратуру. При пред'явленні будь-якої претензії протягом терміну дії даної гарантії варто пред'явити чек або квитанцію про покупку.

*Даний виріб відповідає вимогам до електромагнітної сумісності, що пред'являються директивою 2004/108/ЕС Ради Європи й розпорядженням 2006/95/ЕС по низьковольтних апаратурах.*



**GB**

A production date of the item is indicated in the serial number on the technical data plate. A serial number is an eleven-unit number, with the first four figures indicating the production date. For example, serial number 0606xxxxxx means that the item was manufactured in June (the sixth month) 2006.

**DE**

Das Produktionsdatum ist in der Seriennummer auf dem Schild mit technischen Eigenschaften dargestellt. Die Seriennummer stellt eine elfstellige Zahl dar, die ersten vier Zahlen bedeuten dabei das Produktionsdatum. Zum Beispiel bedeutet die Seriennummer 0606xxxxxx, dass die Ware im Juni (der sechste Monat) 2006 hergestellt wurde.

**RUS**

Дата производства изделия указана в серийном номере на табличке с техническими данными. Серийный номер представляет собой одиннадцатизначное число, первые четыре цифры которого обозначают дату производства. Например, серийный номер 0606xxxxxx означает, что изделие было произведено в июне (шестой месяц) 2006 года.

**KZ**

Бұйымның шығарылған мерзімі техникалық деректері бар кестедегі сериялық нөмірде көрсетілген. Сериялық нөмір он бір саннан тұрады, оның бірінші төрт саны шығару мерзімін білдіреді. Мысалы, сериялық нөмір 0606xxxxxx болса, бұл бұйым 2006 жылдың маусым айында (алтыншы ай) жасалғанын білдіреді.

**UA**

Дата виробництва виробу вказана в серійному номері на табличці з технічними даними. Серійний номер представляє собою одинадцятизначне число, перші чотири цифри якого означають дату виробництва. Наприклад, серійний номер 0606xxxxxx означає, що виріб був виготовлений в червні (шостий місяць) 2006 року.



ЗАПРЕЩЕНО УТИЛИЗИРОВАТЬ  
С БЫТОВЫМ МУСОРОМ.  
ОБРАТИТЕСЬ НА СООТВЕТСТВУЮЩИЙ  
ПУНКТ ПЕРЕРАБОТКИ ЭЛЕКТРИЧЕСКОГО  
И ЭЛЕКТРОННОГО ОБОРУДОВАНИЯ.