

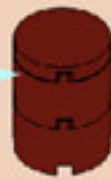


X4



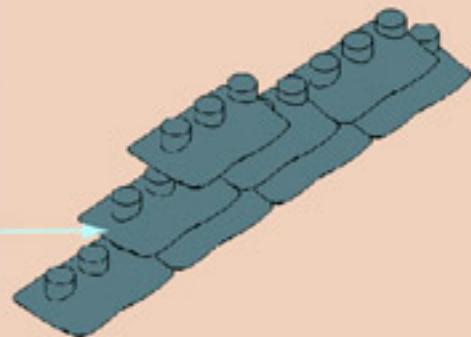
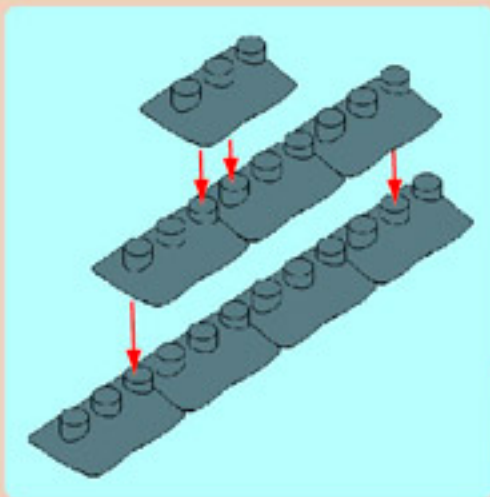
X2

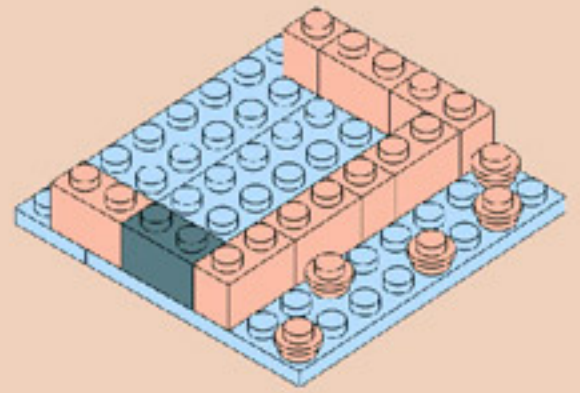
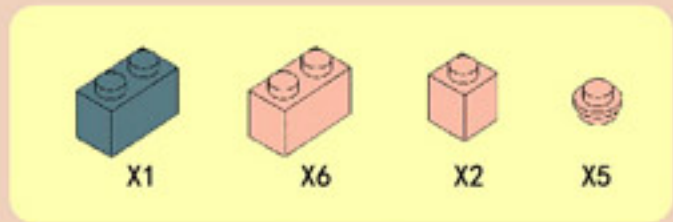
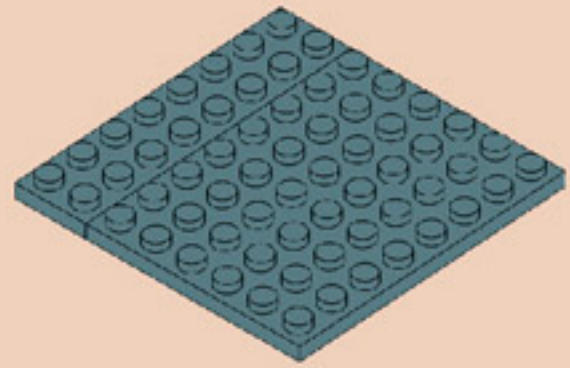
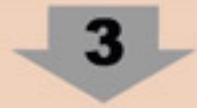
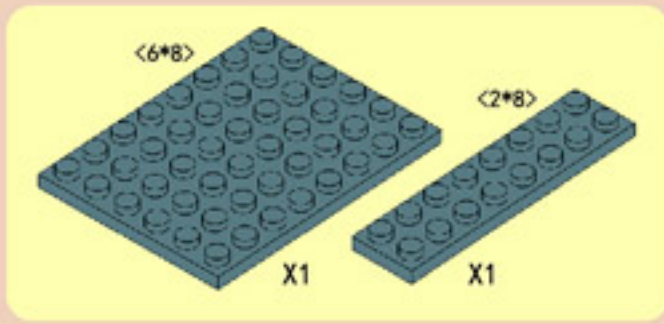
1



X8

2







X2

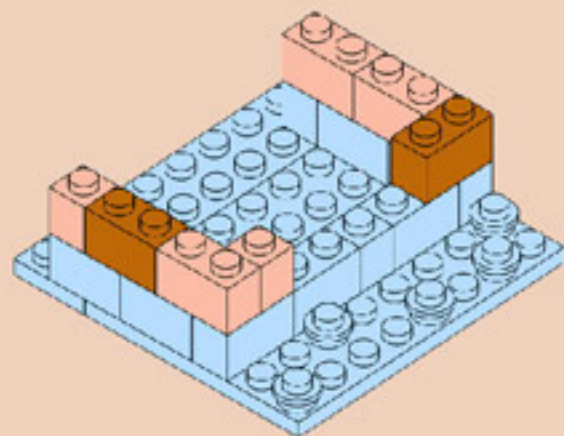


X3



X2

5

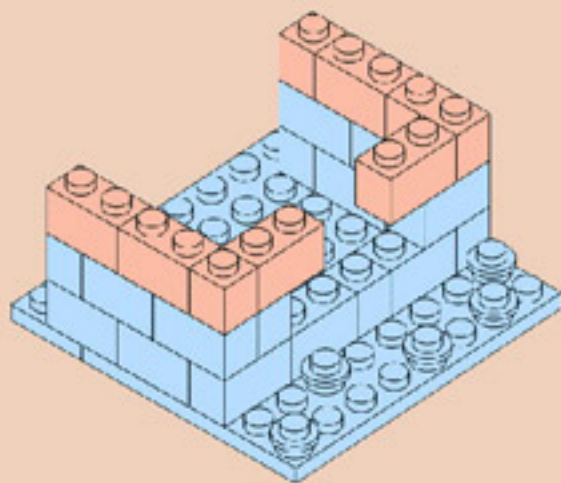


X6



X2

6





X1

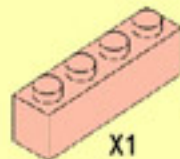
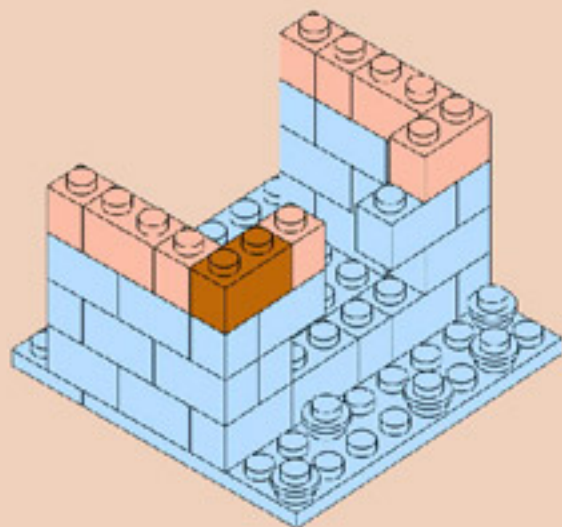


X3



X5

7



X1



X2



X2

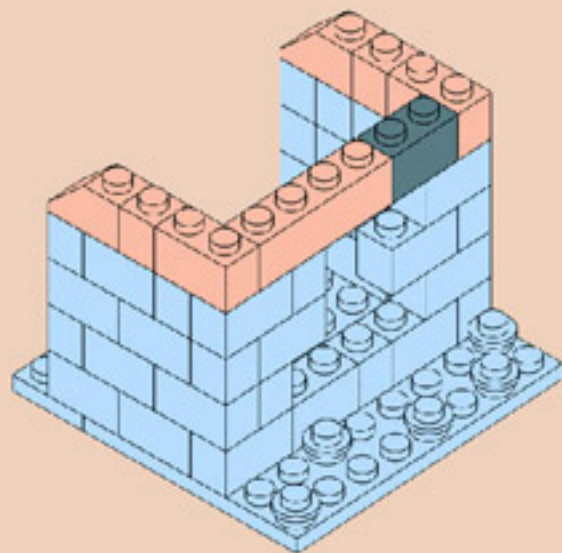


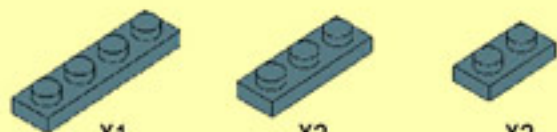
X2



X1

8



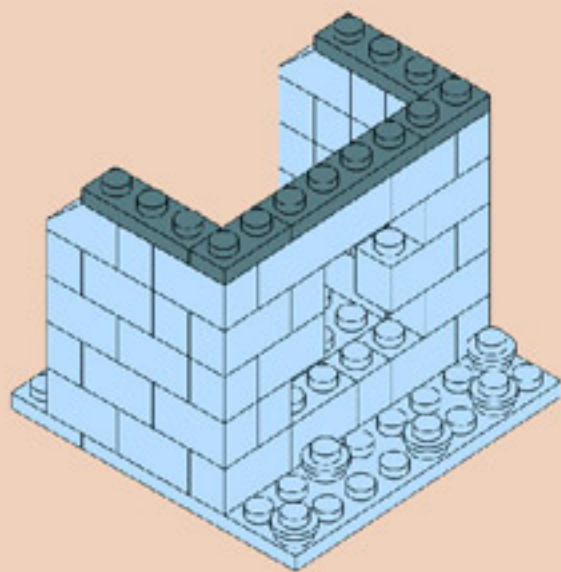


X1

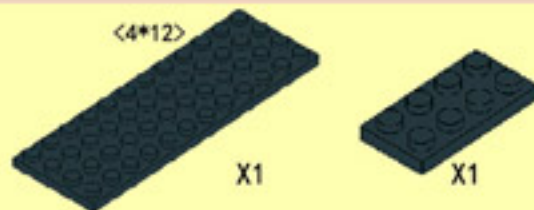
X2

X2

9



<4*12>



X1

X1

10



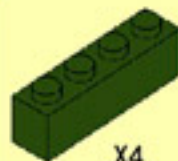
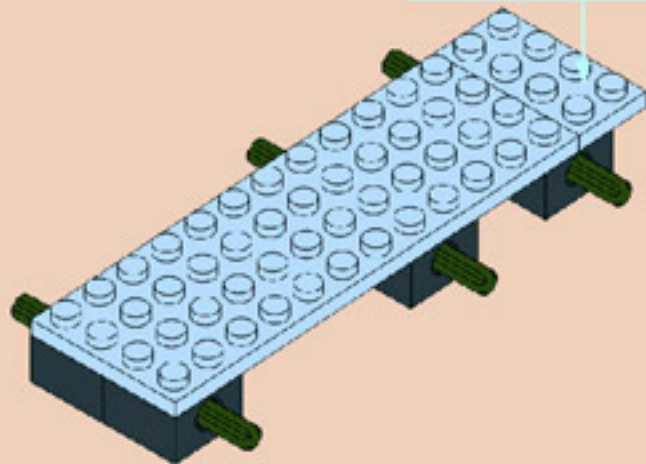
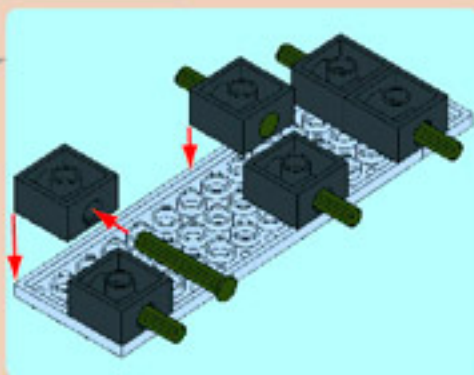


X6



X6

11



X4



X4

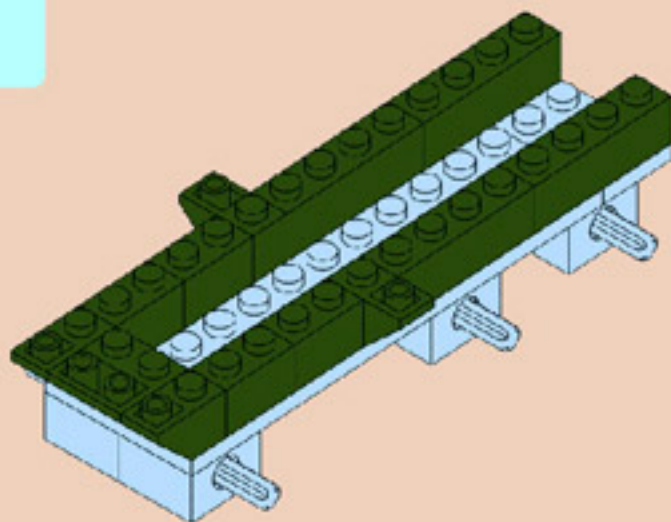


X1



X4

12



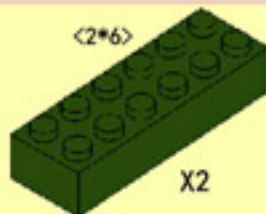
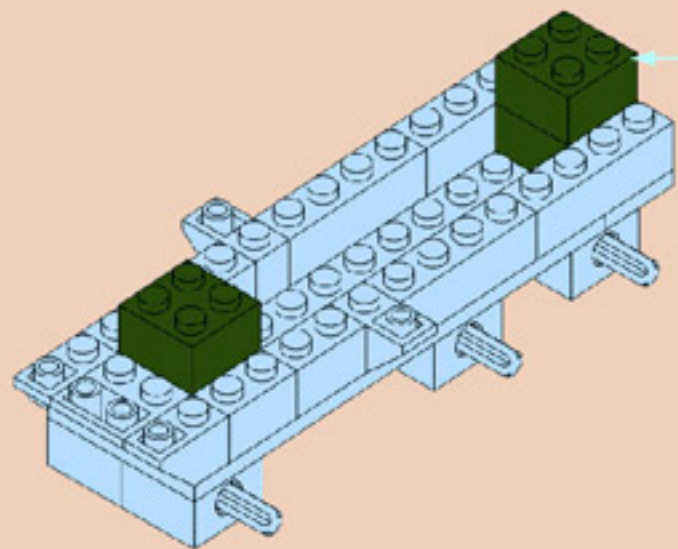


X1



X2

13



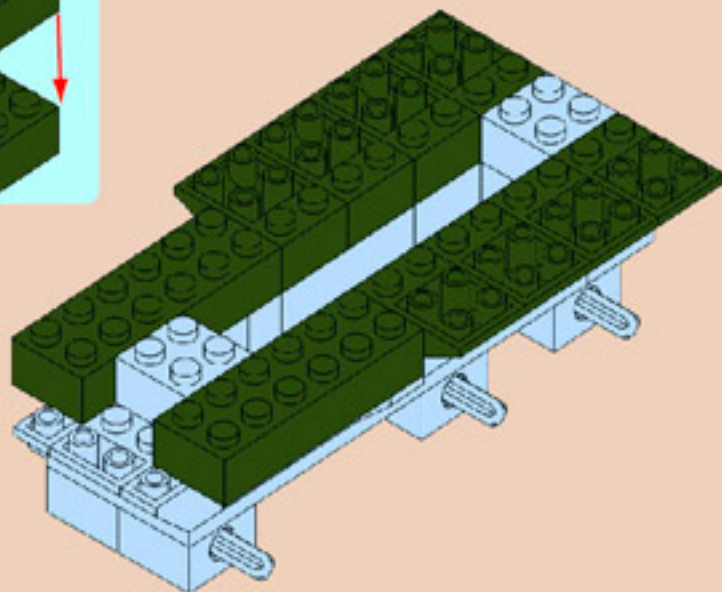
(2*6)

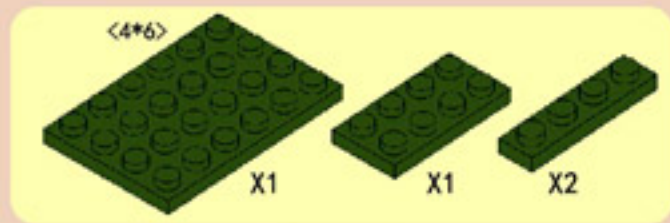
X2



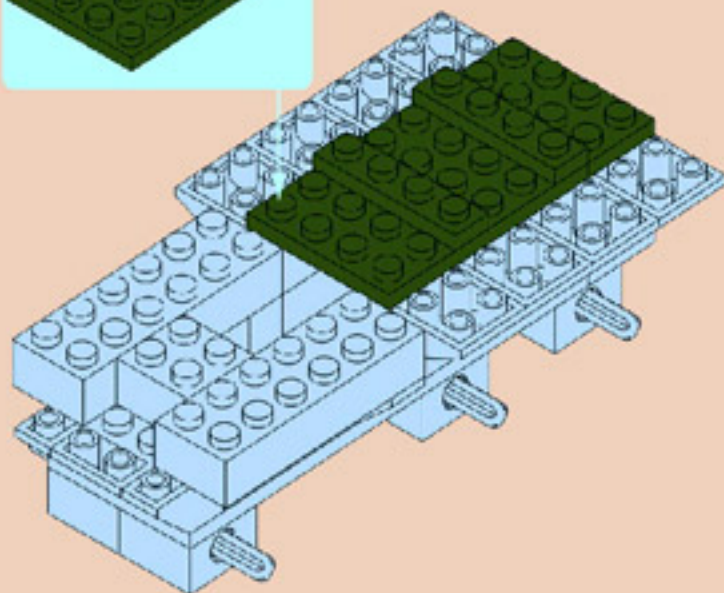
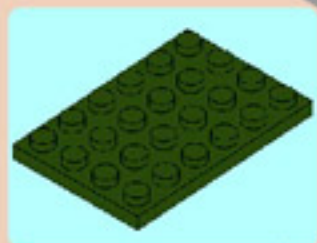
X8

14

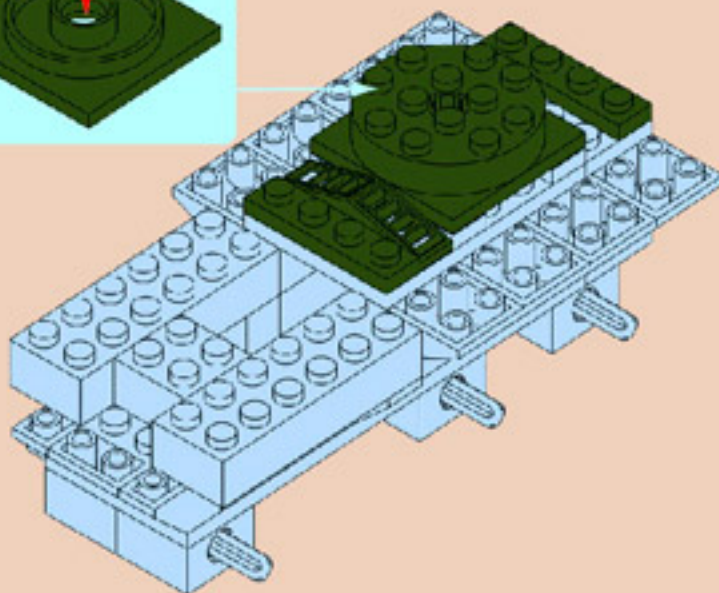
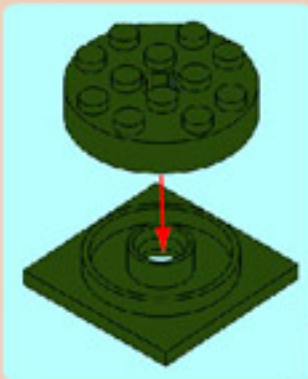


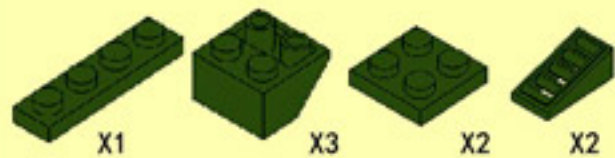


15

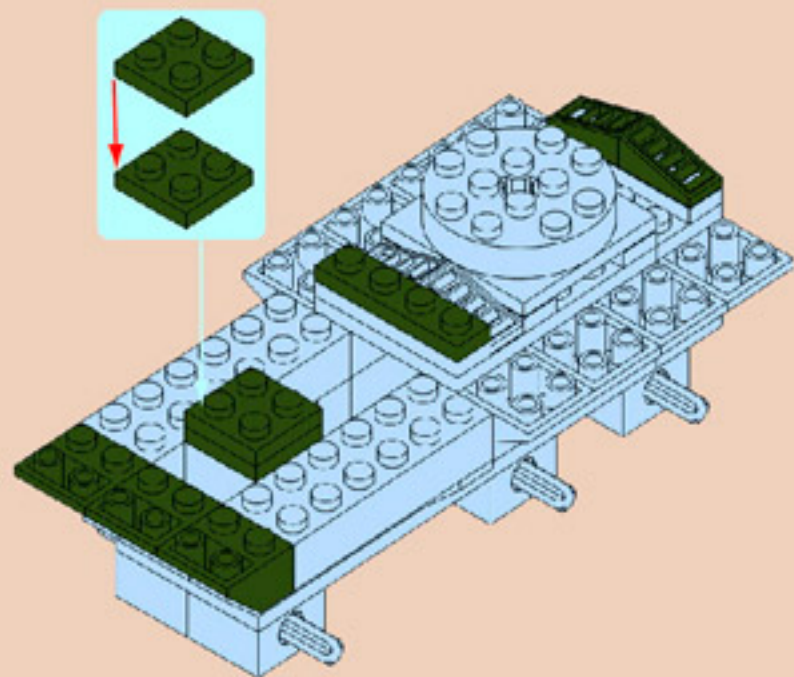


16

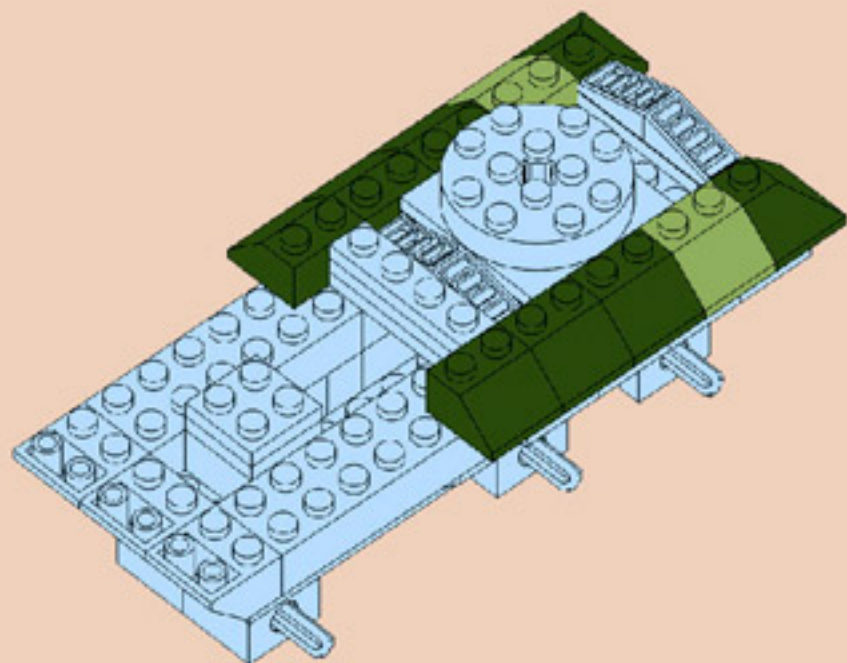


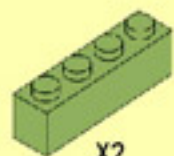


17



18





X2

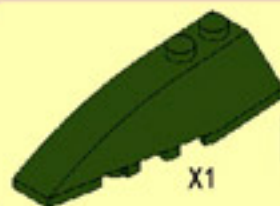


X2

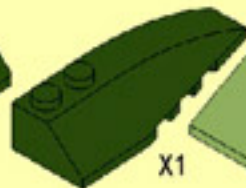


X1

19



X1

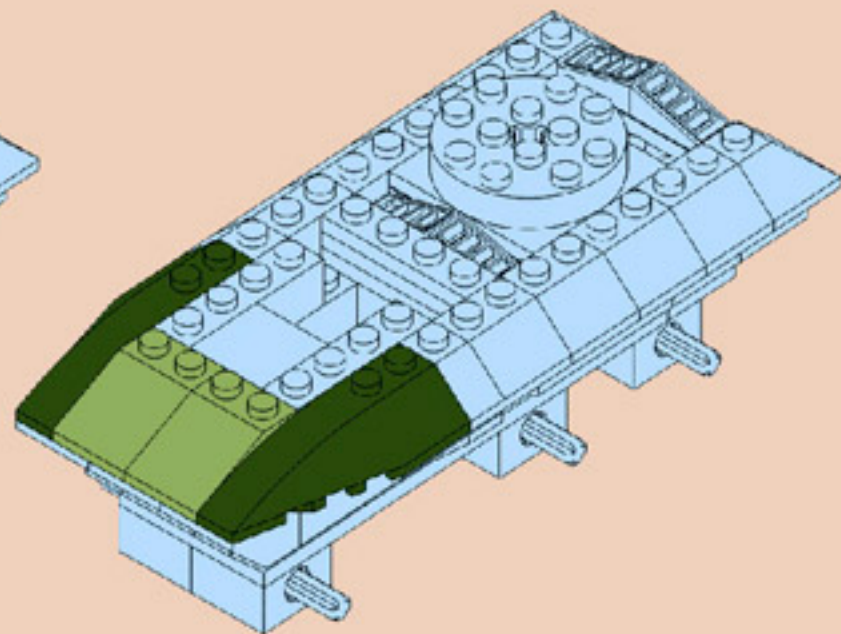
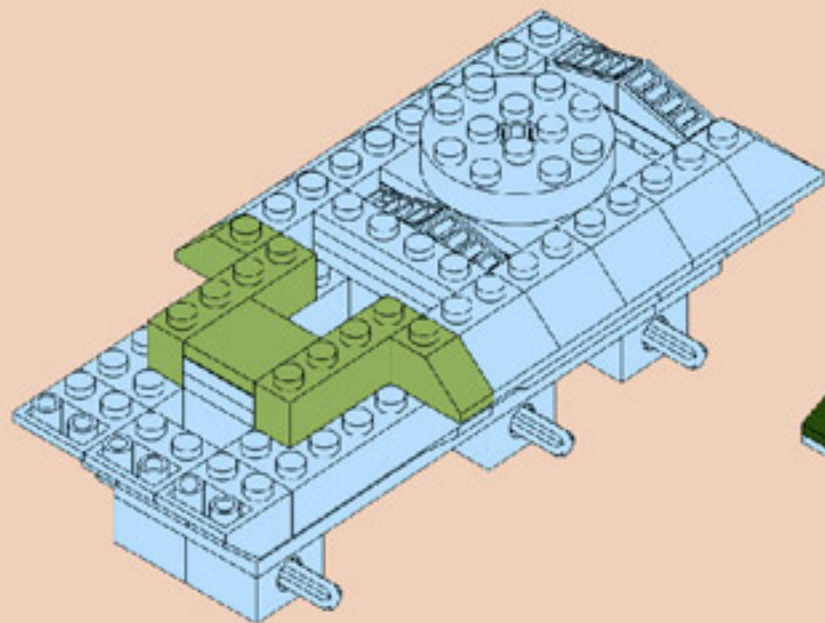


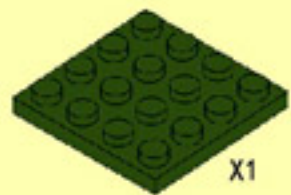
X1



X2

20



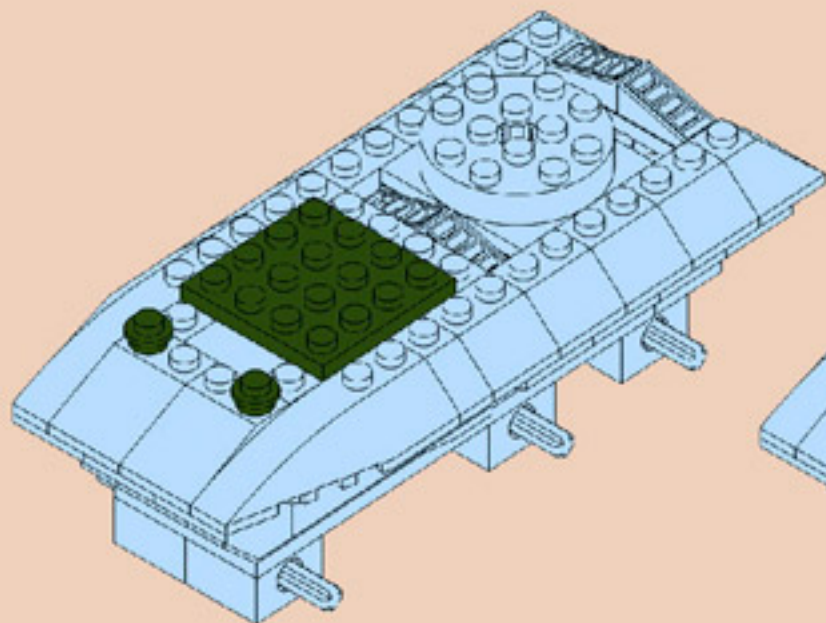


X1



X2

21



X1

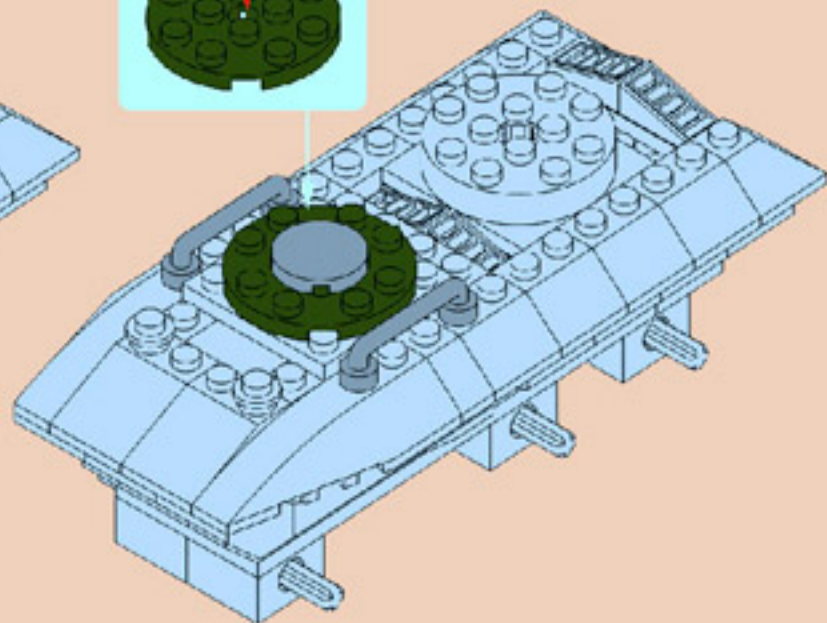
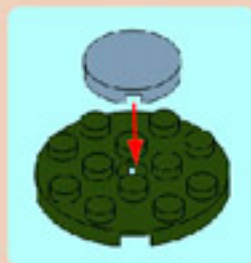


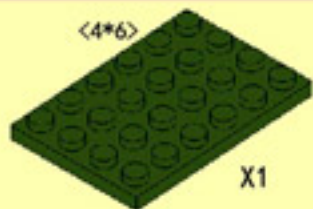
X2



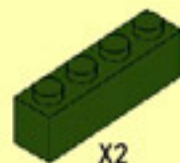
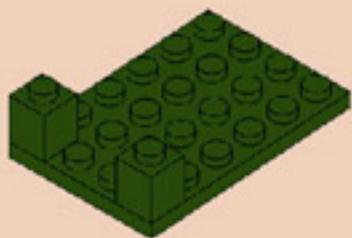
X1

22

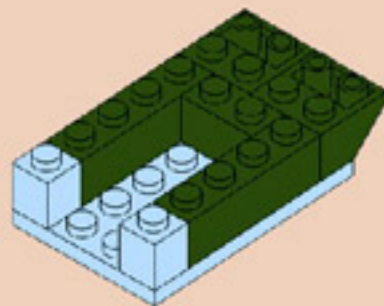


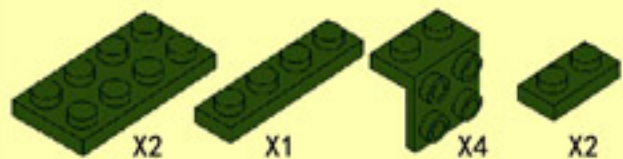


23

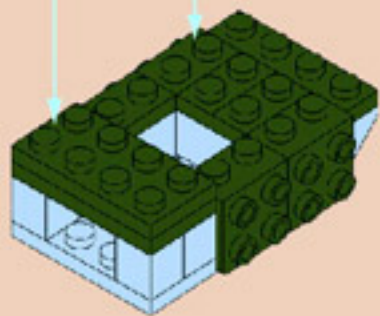
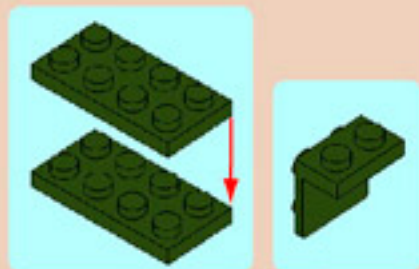


24

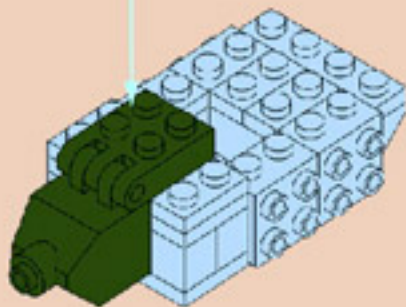
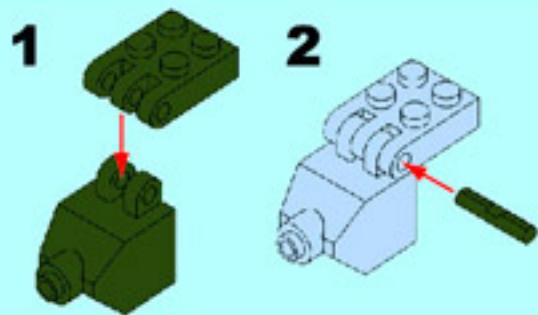


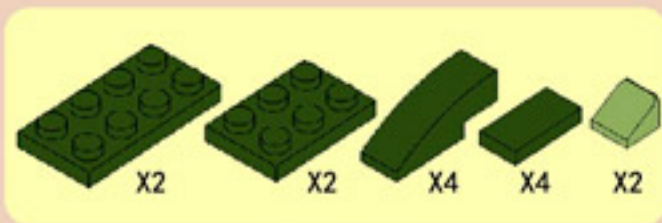


25

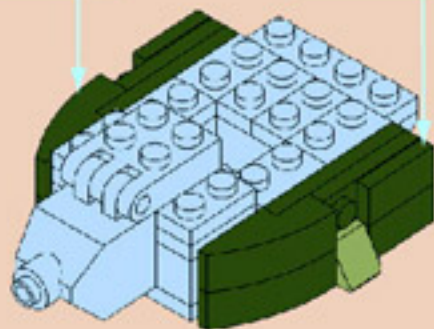
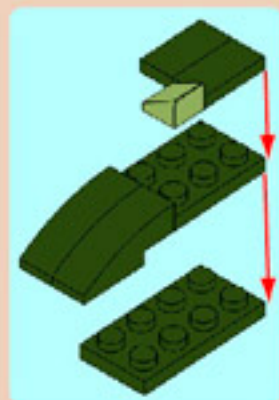
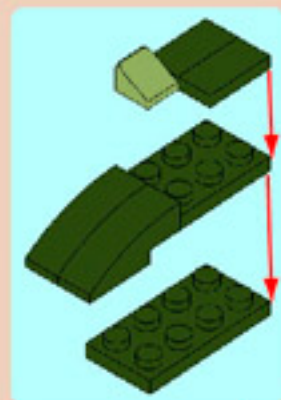


26

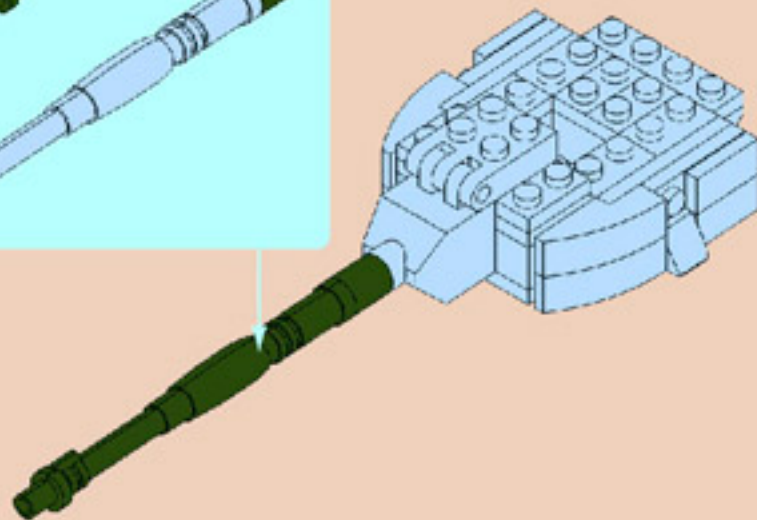
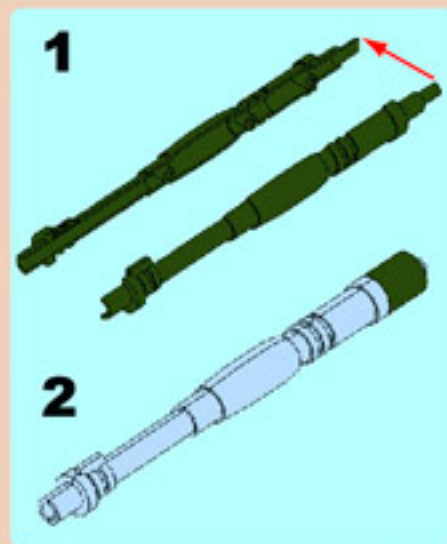




27



28





X2

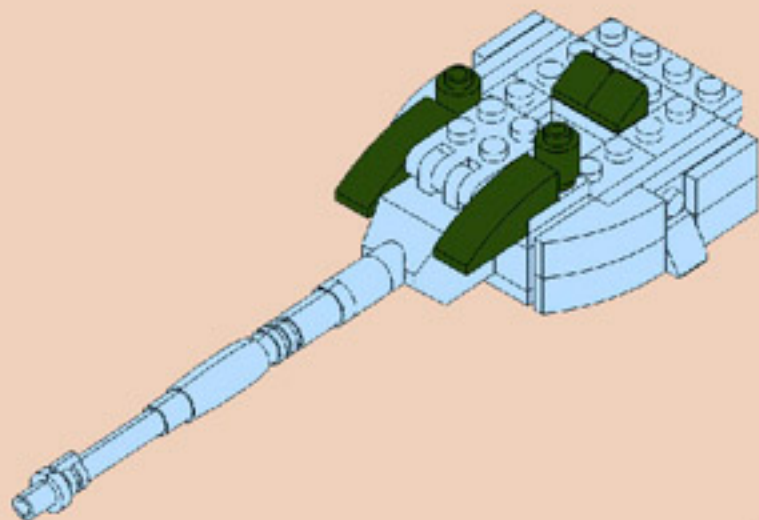


X2



X2

29



X1

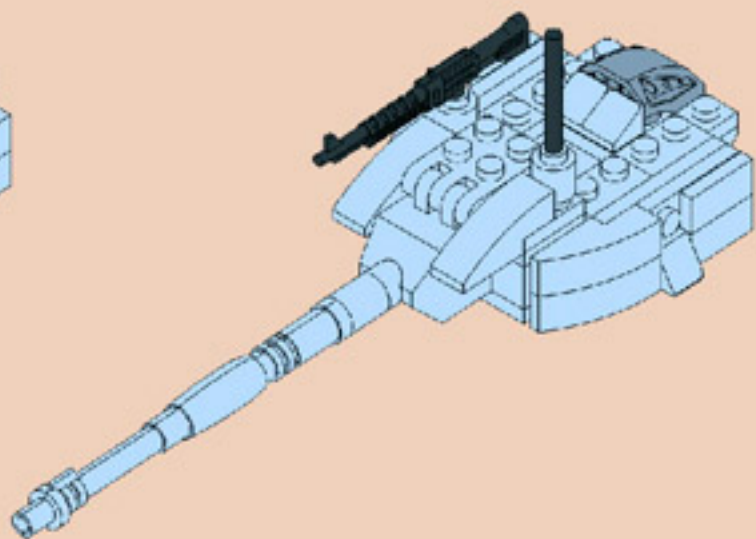


X1



X1

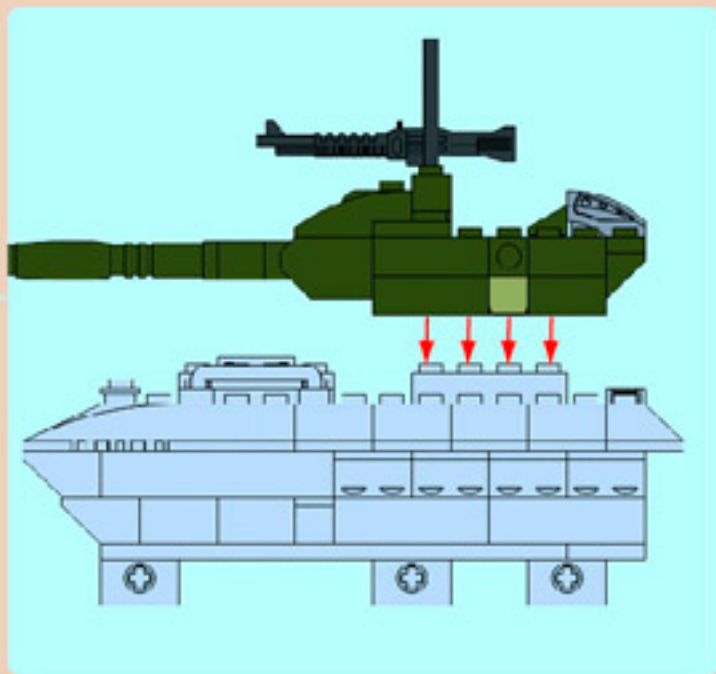
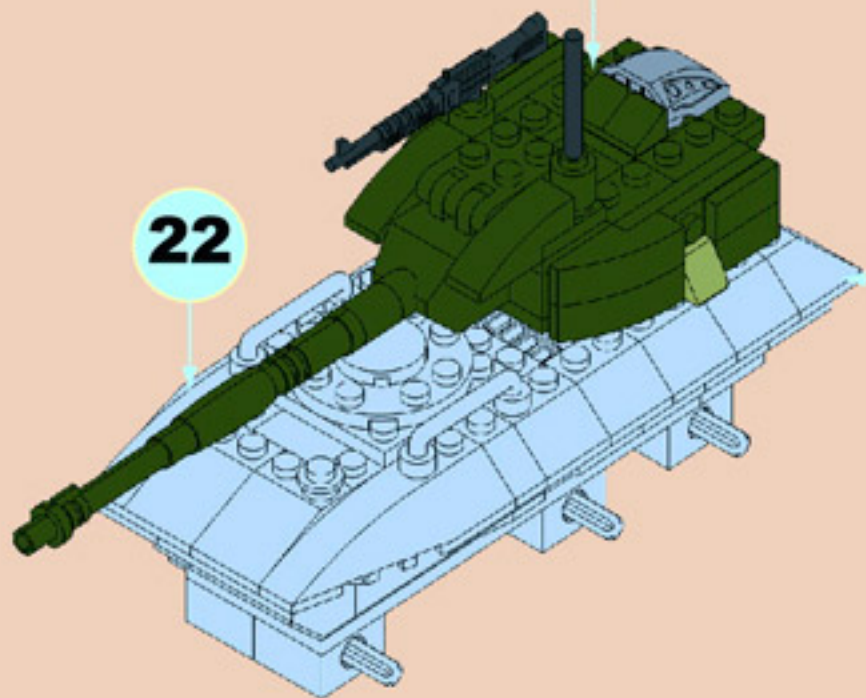
30



31

30

22



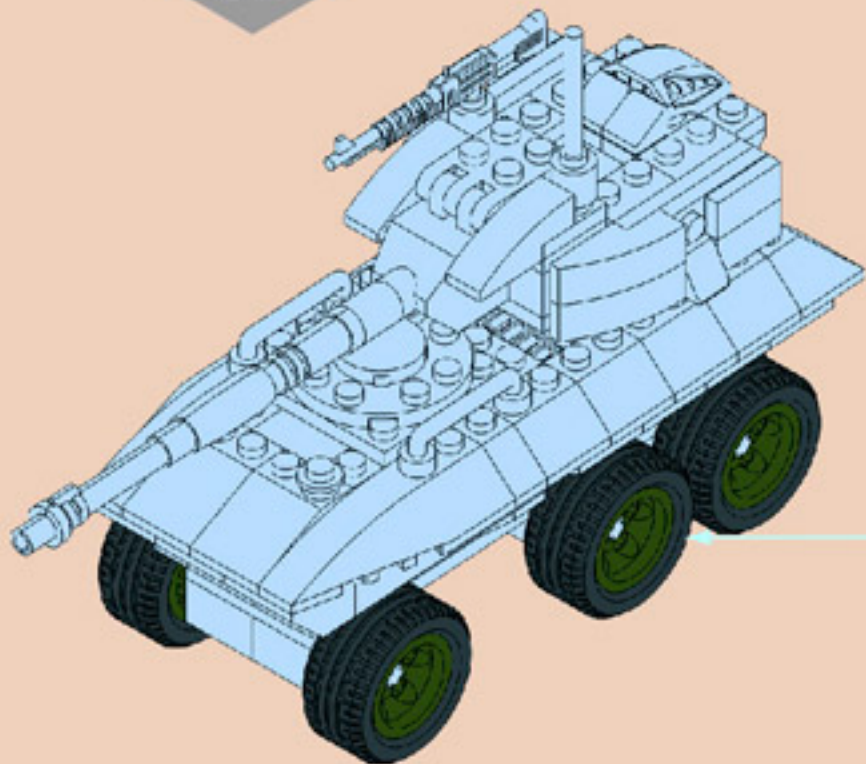


X6

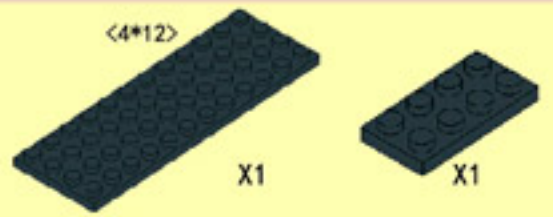


X6

32



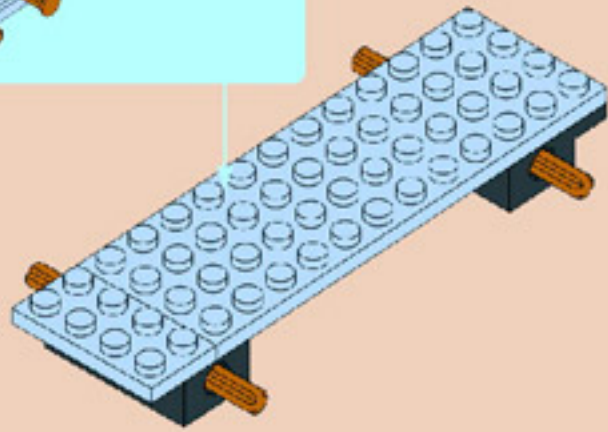
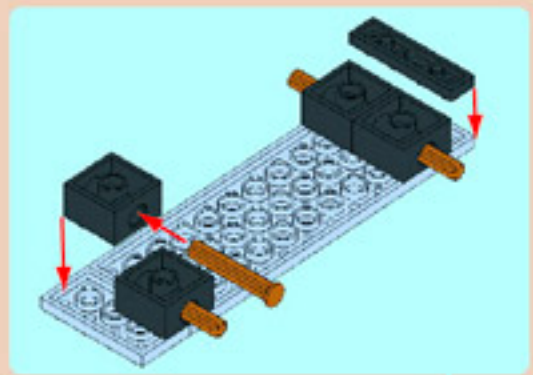
<4*12>

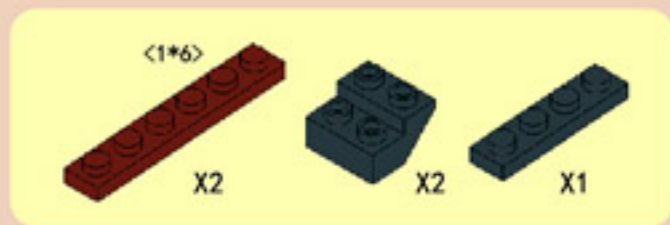


33

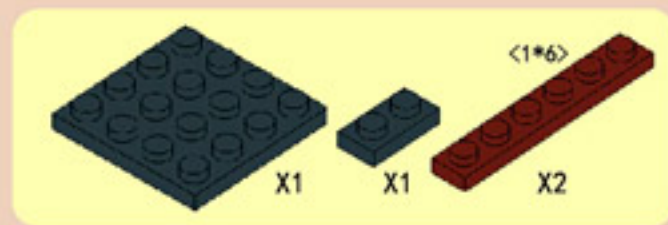


34

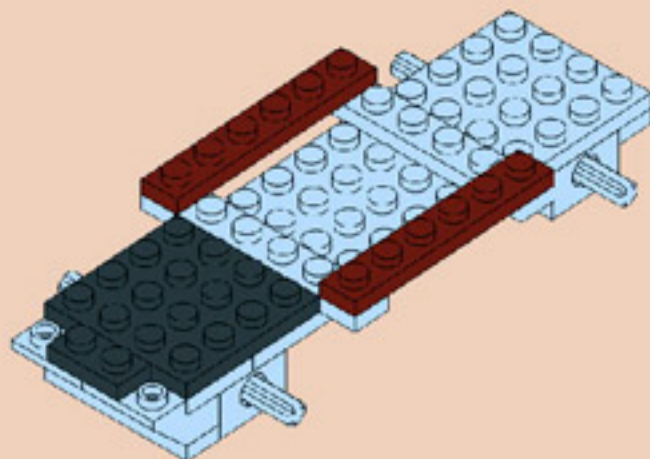
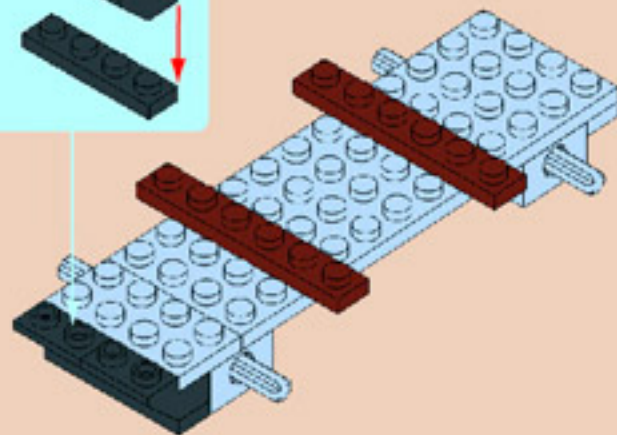


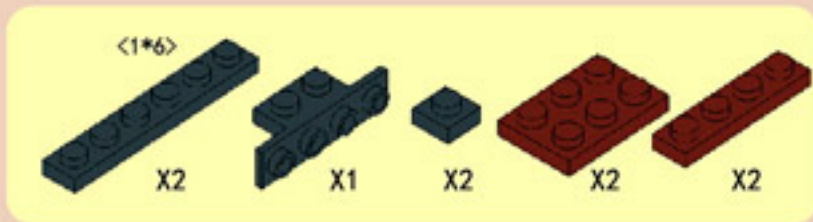


35

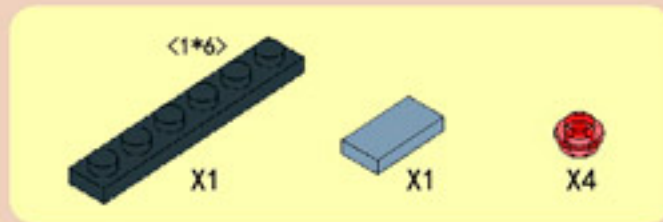
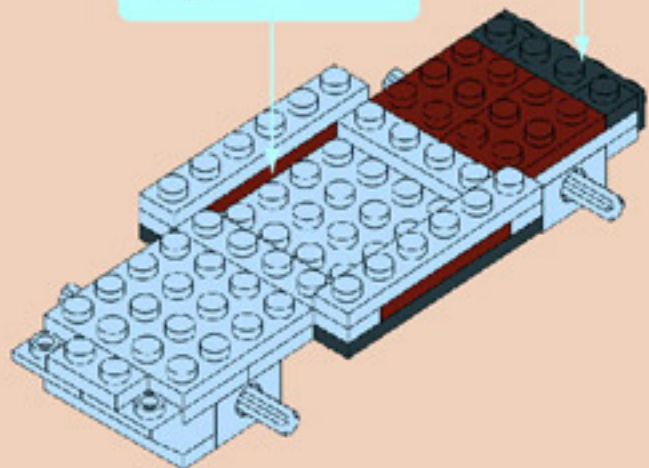
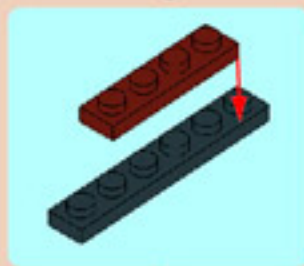


36

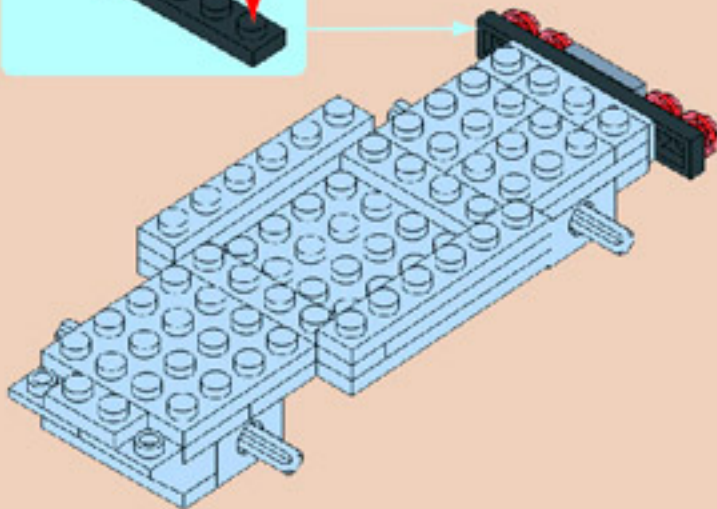
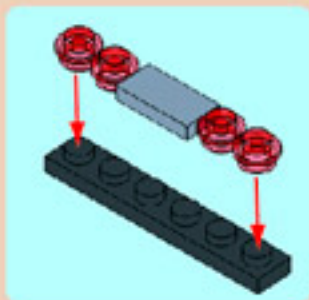


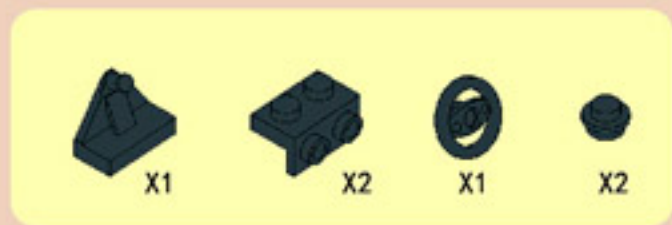


37

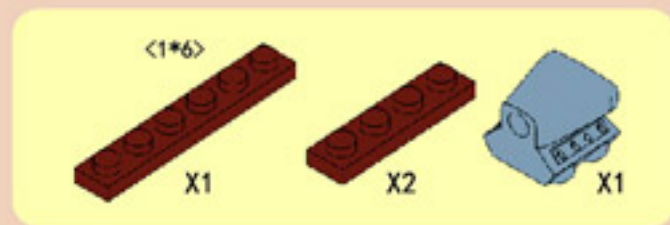
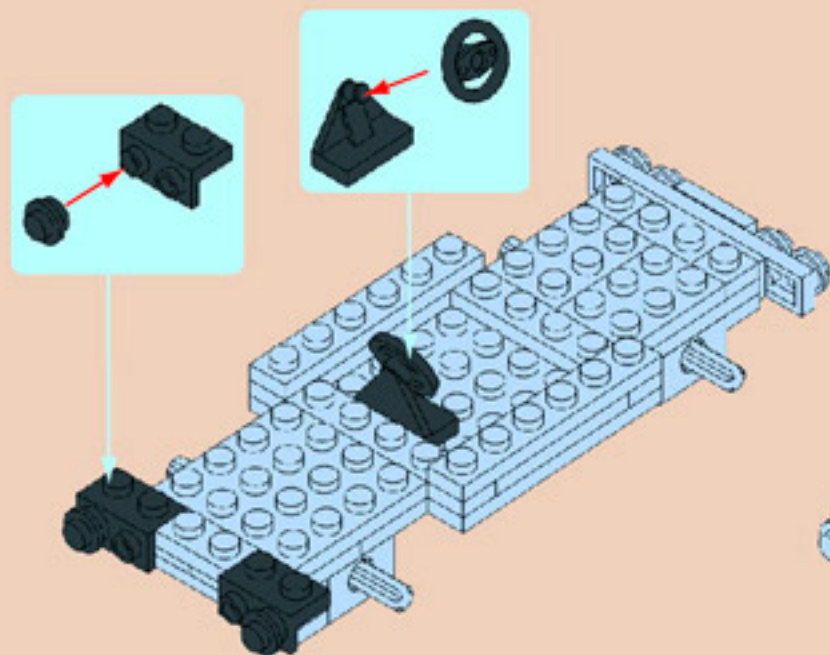


38

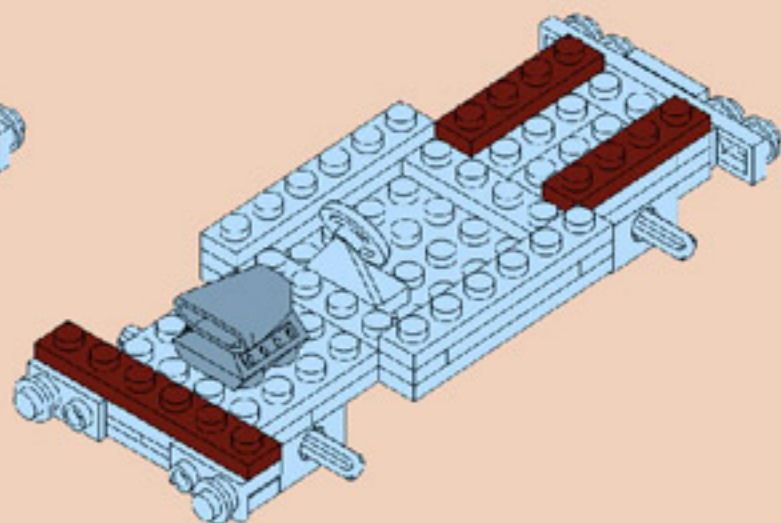




39



40





X4

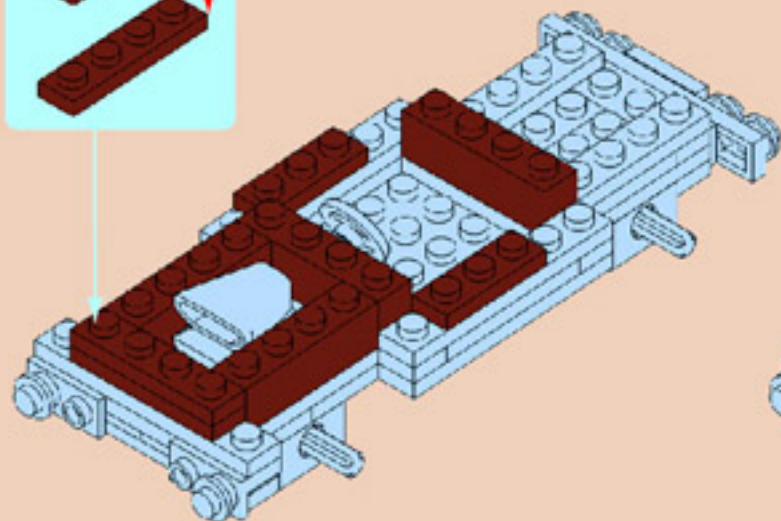
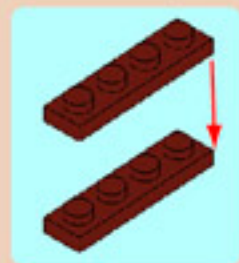


X2



X2

41



X2

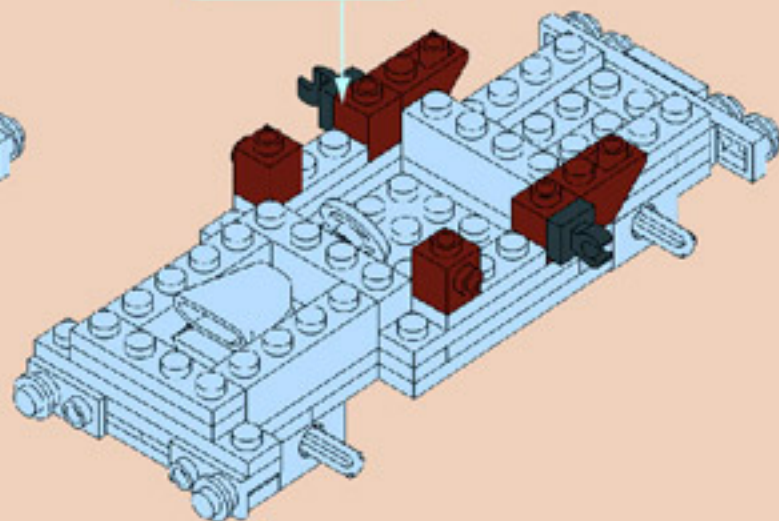
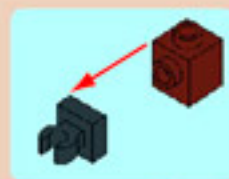


X4



X2

42





X2



X2



X2

43

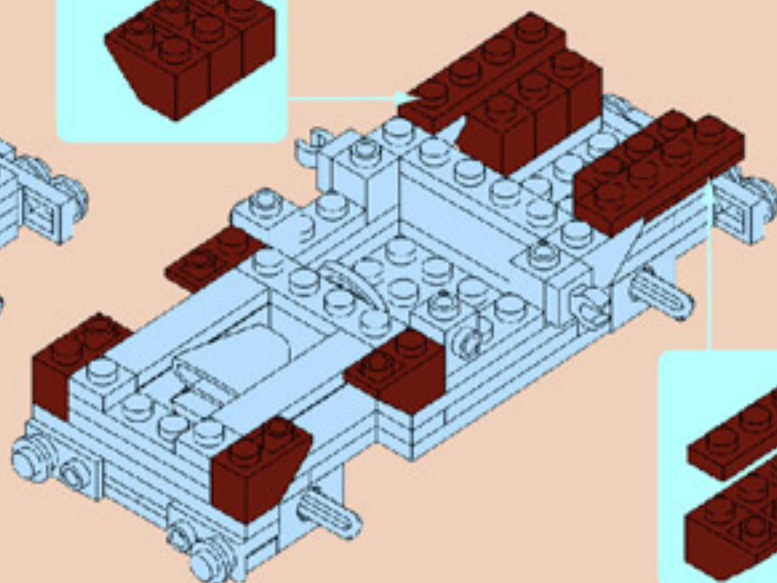
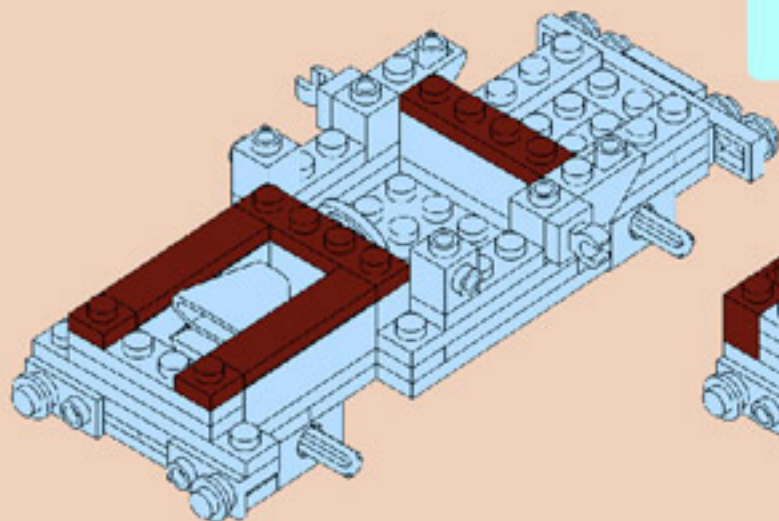
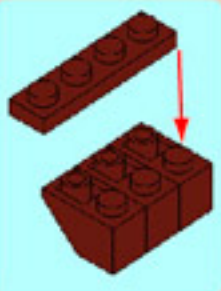


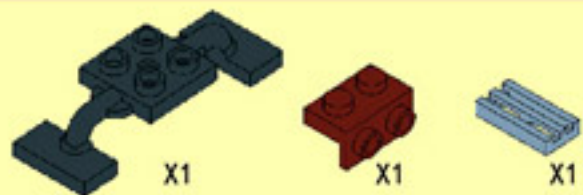
X2



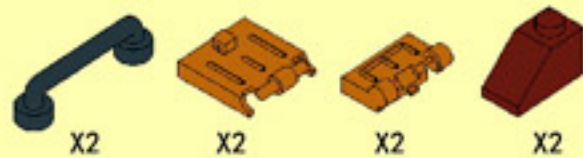
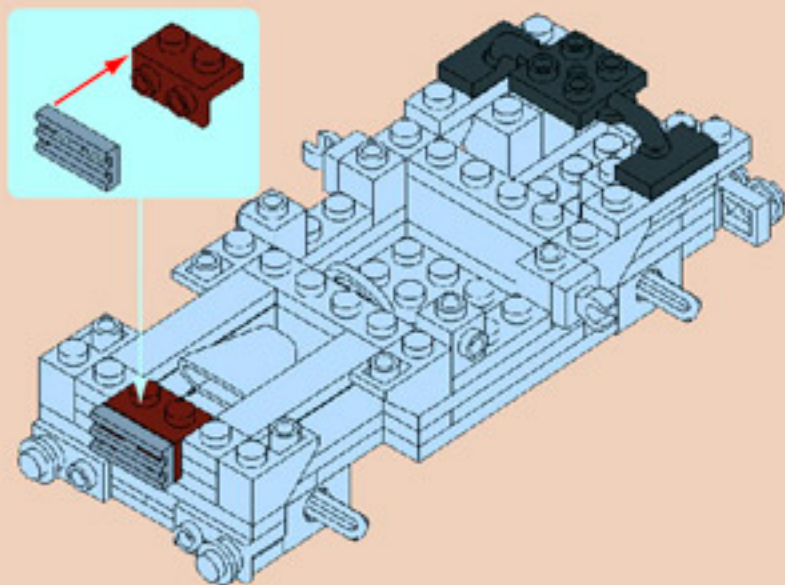
X10

44

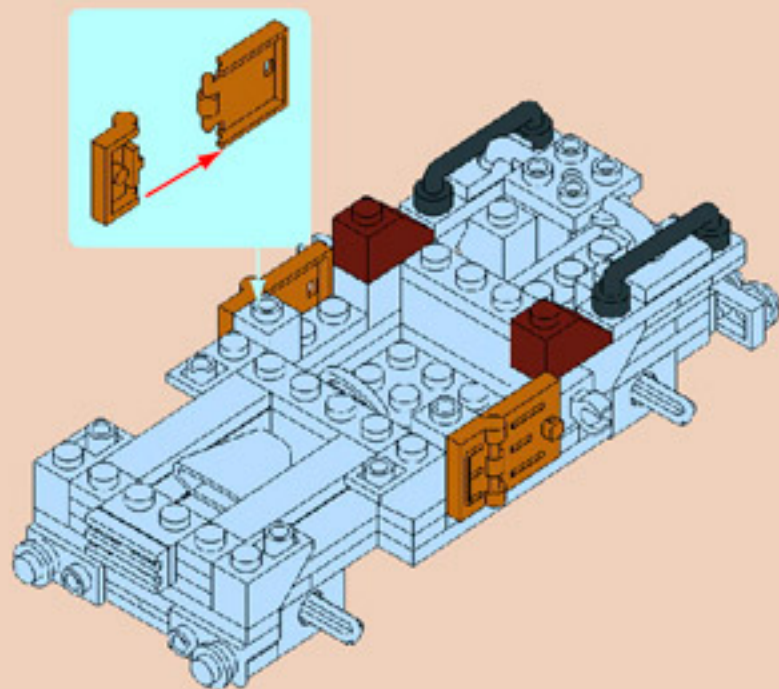


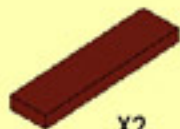


45



46





X2

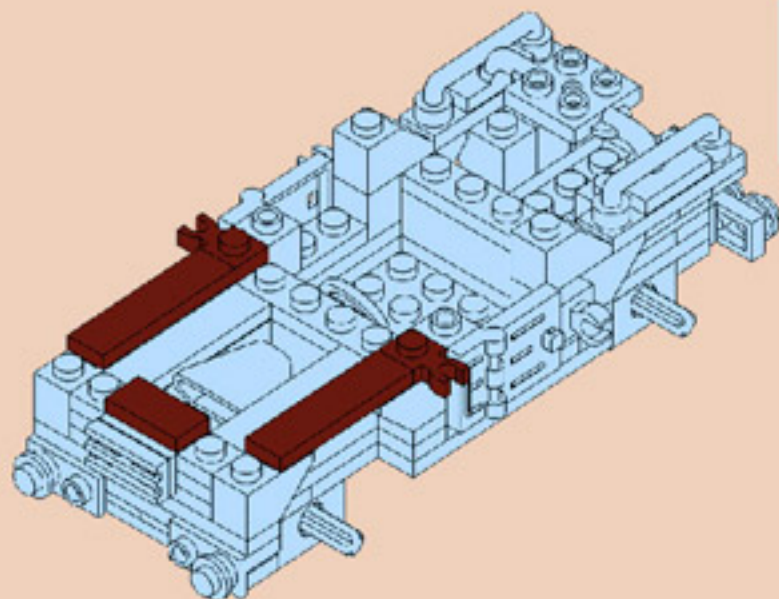


X1



X2

47



X2

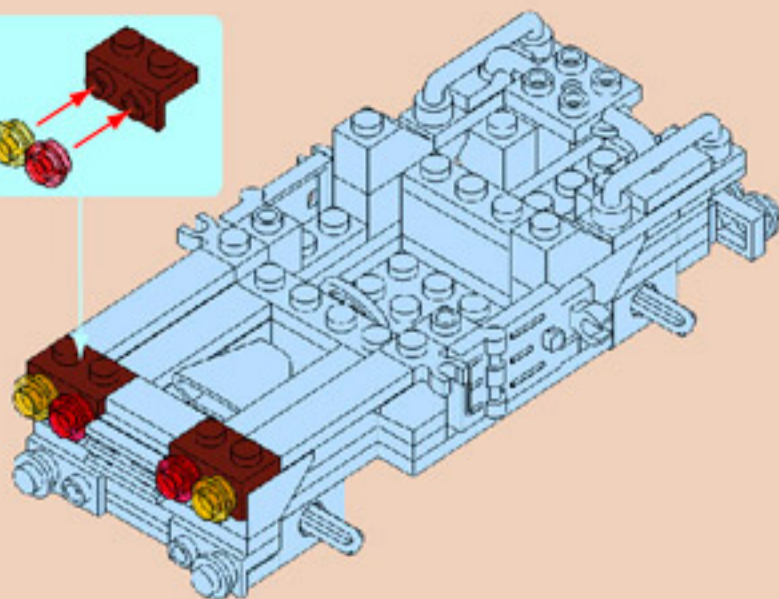
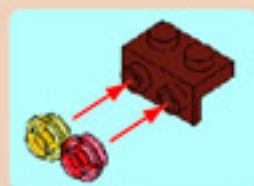


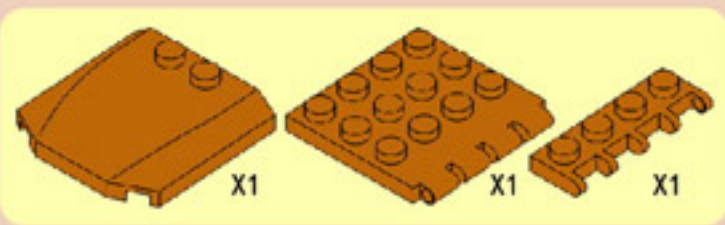
X2



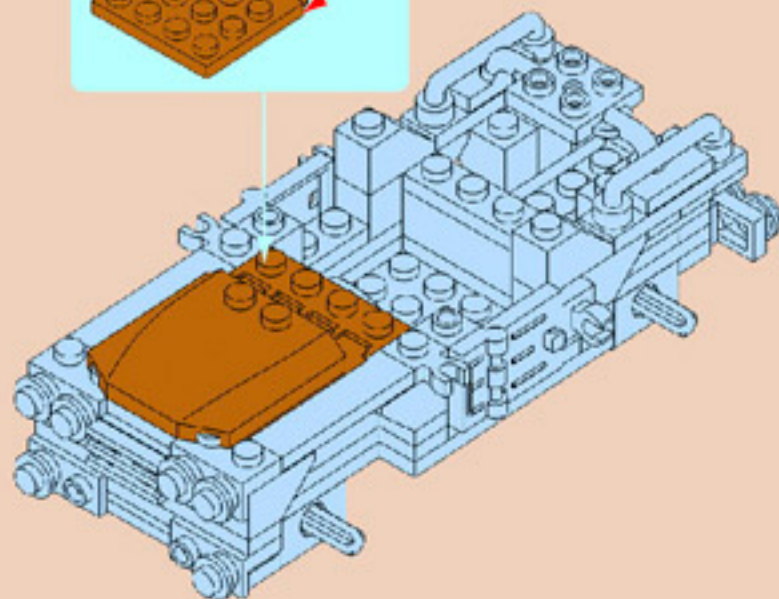
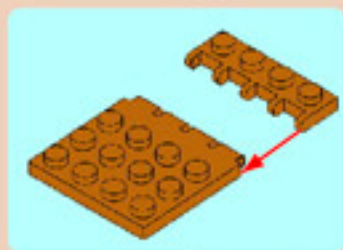
X2

48

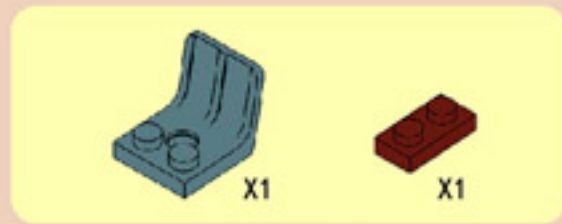
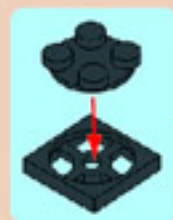




49



50



51



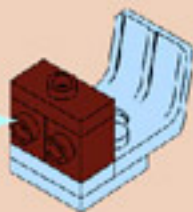
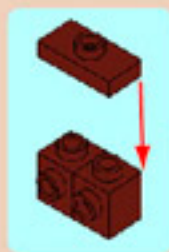


X2



X1

52

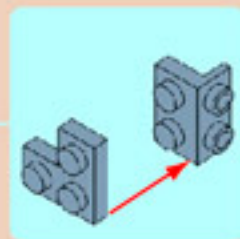
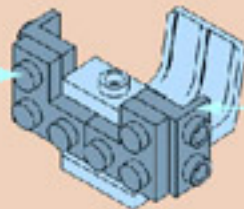
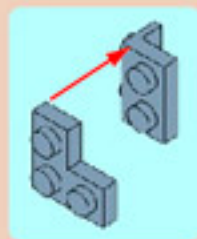


X2



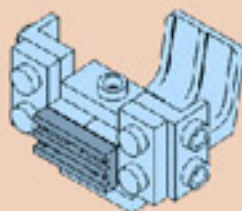
X2

53



X1

54

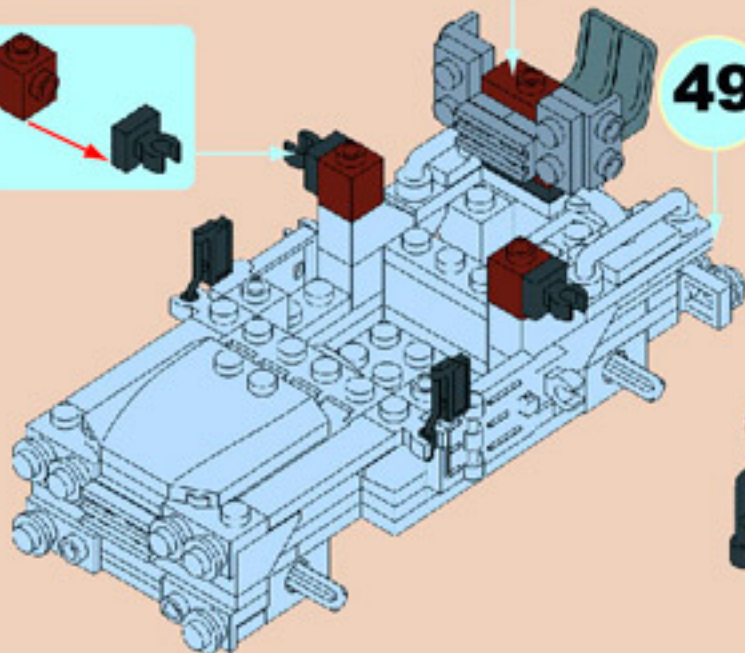
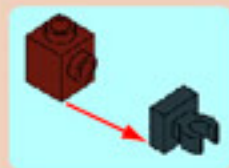




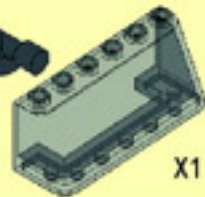
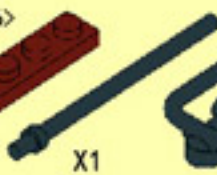
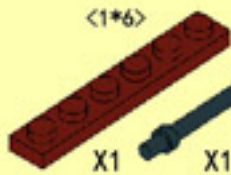
55

54

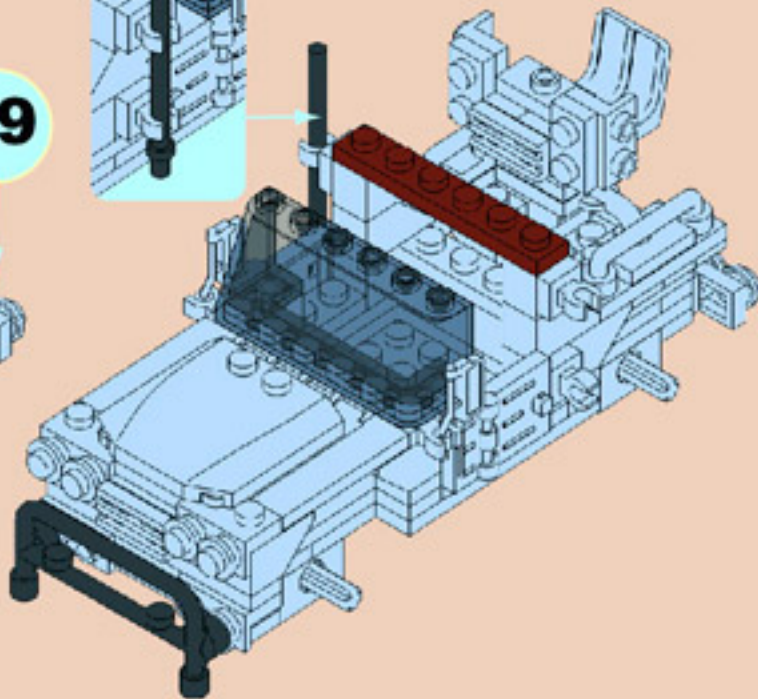
49

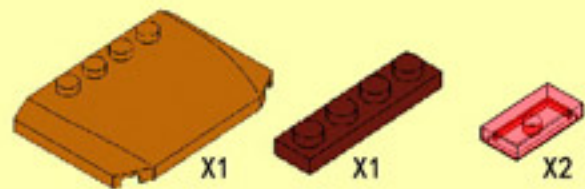


<1*6>

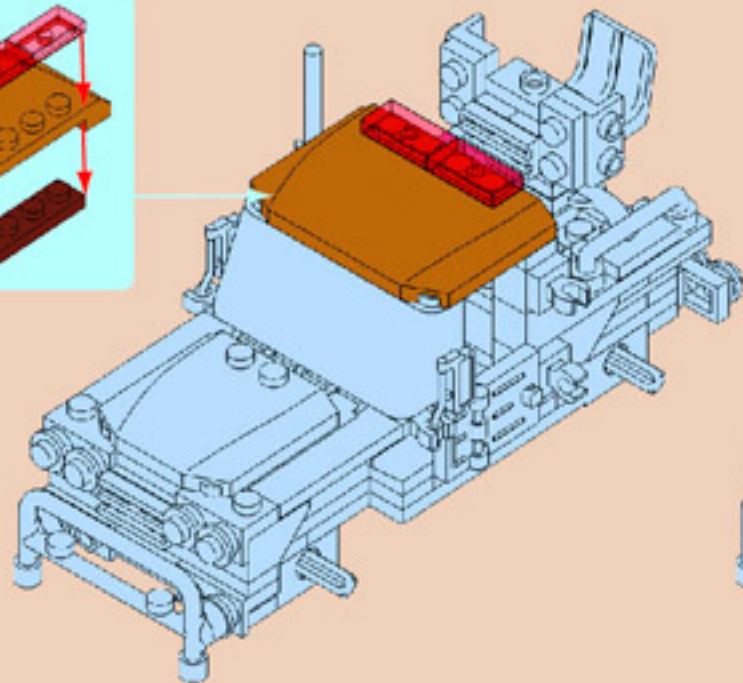
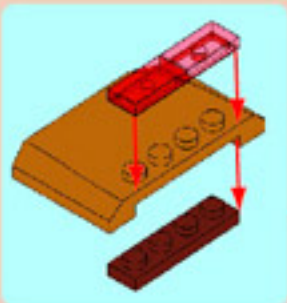


56

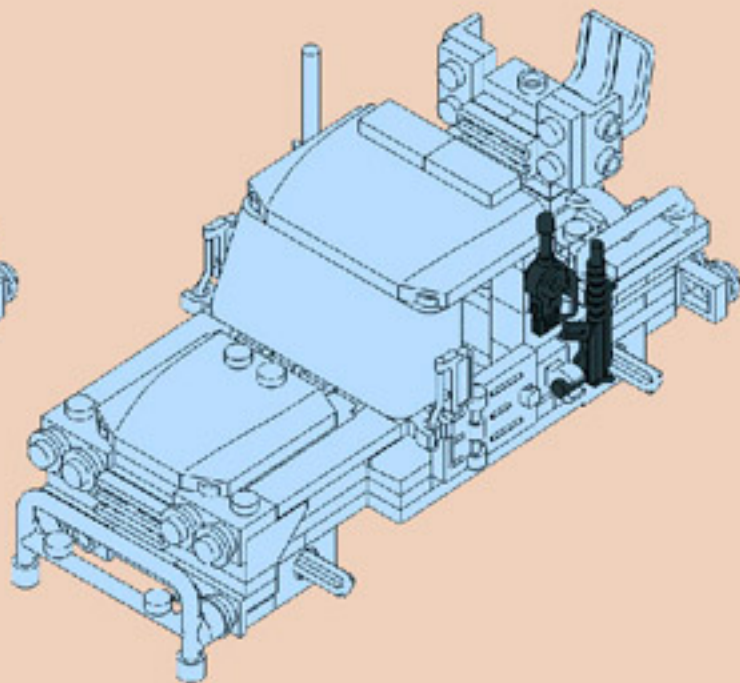




57



58





X1



X1



X1



X1

59



X4



X4

60

