



X2

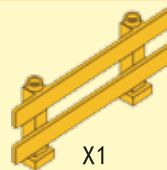
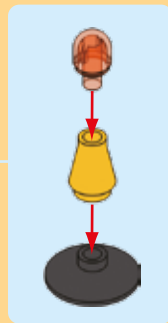


X2



X2

**1**

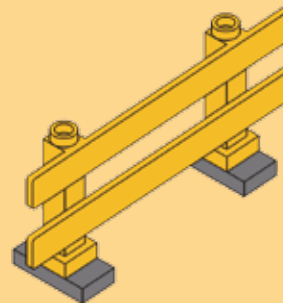


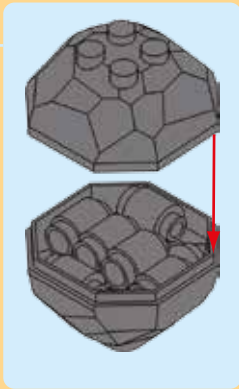
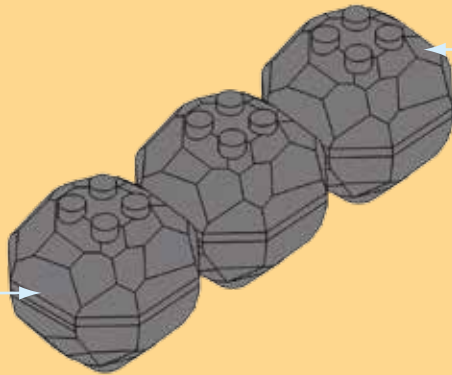
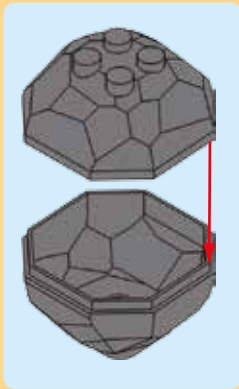
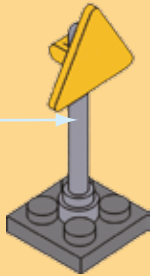
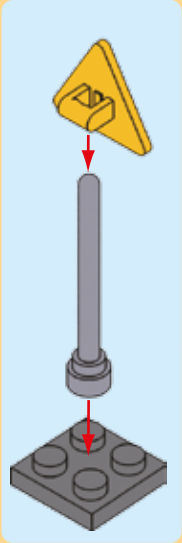
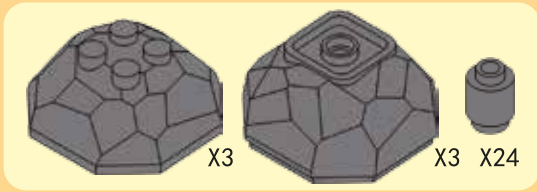
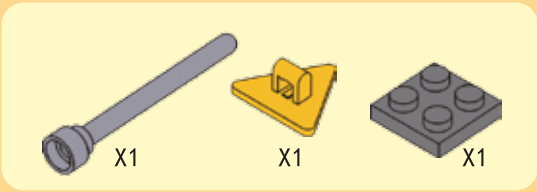
X1

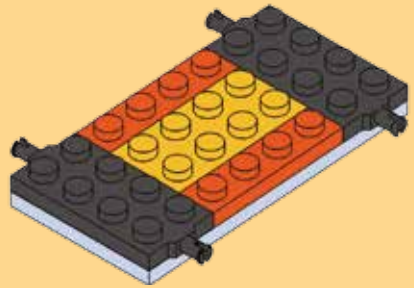
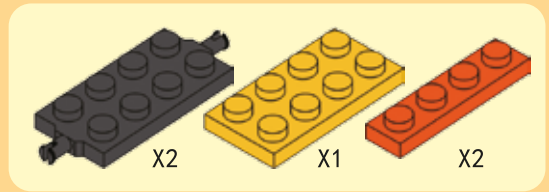
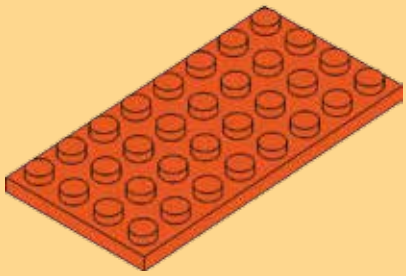
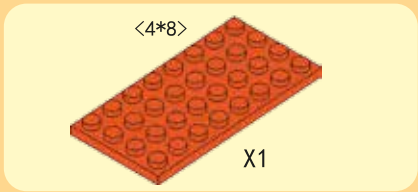


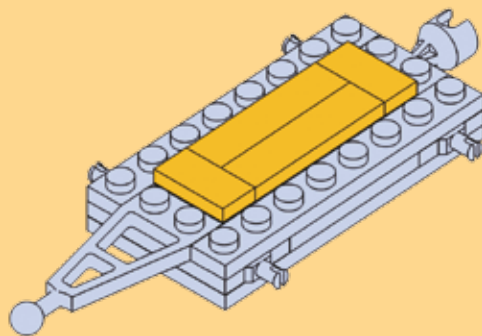
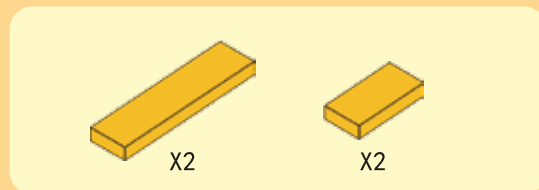
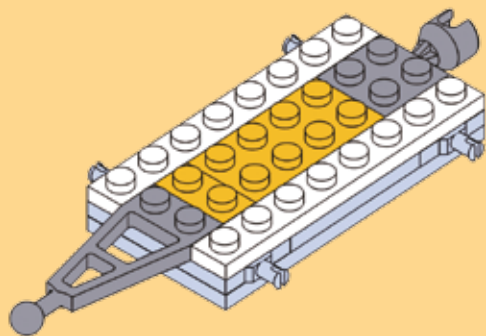
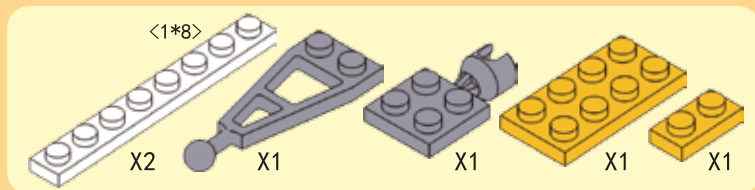
X2

**2**











X1

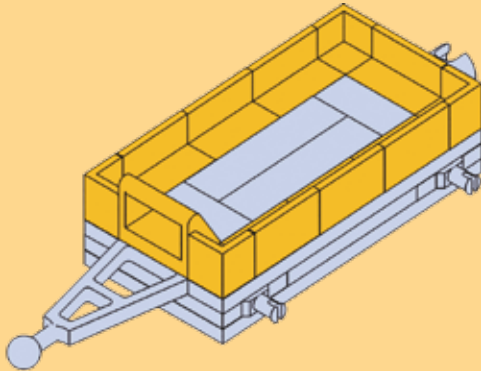


X7



X4

**9**

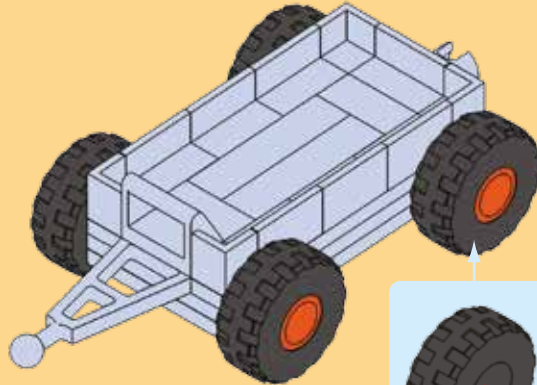


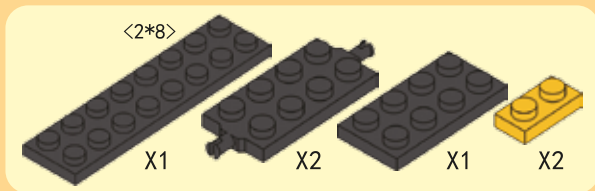
X4



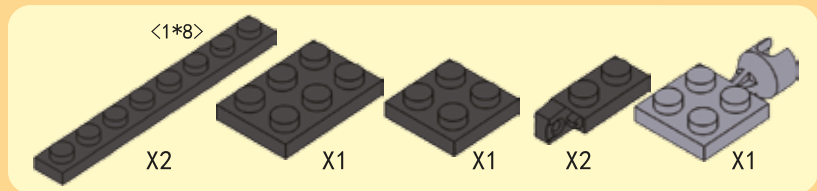
X4

**10**

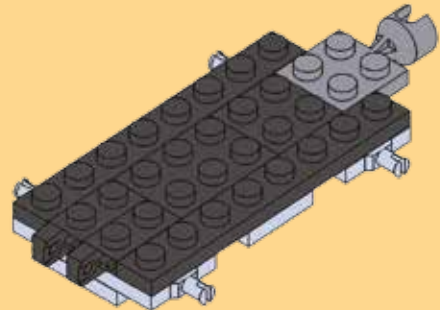
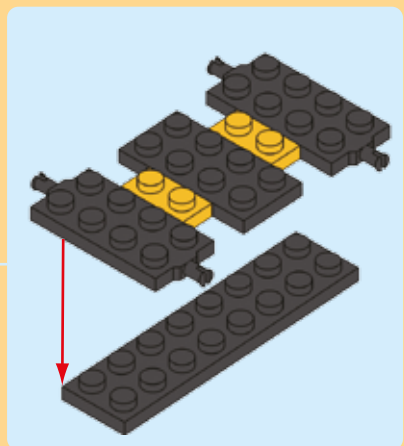


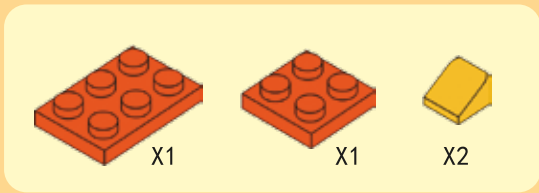


**11**

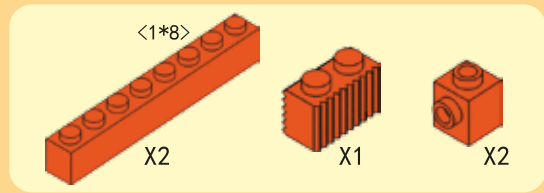
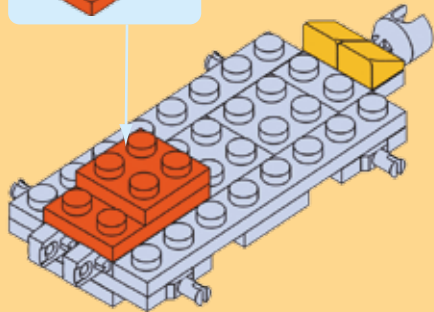
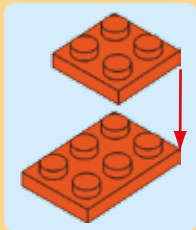


**12**

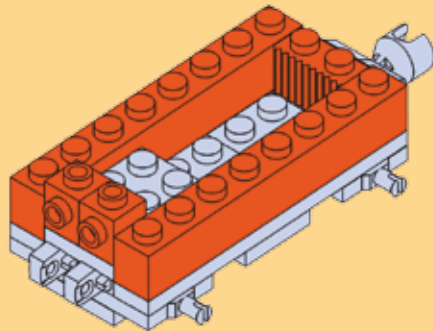


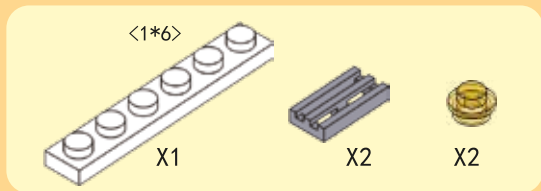


**13**

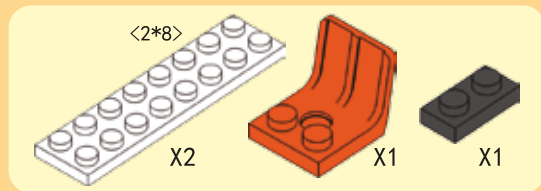
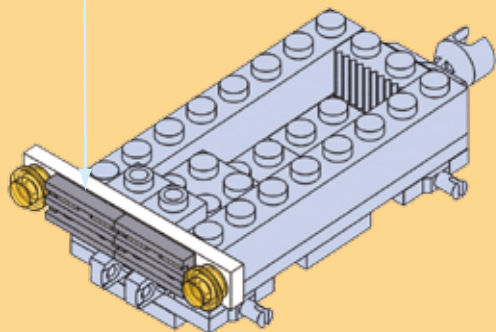
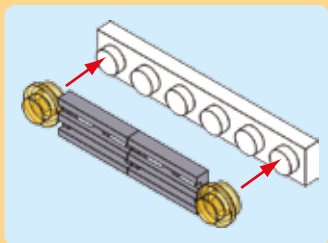


**14**

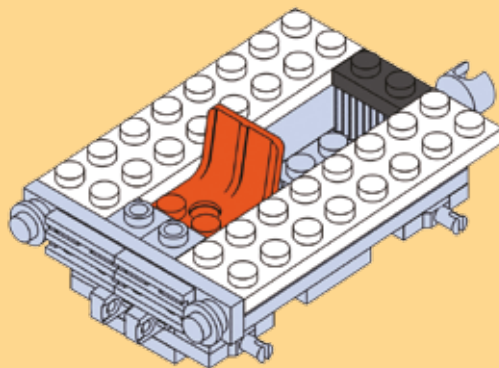




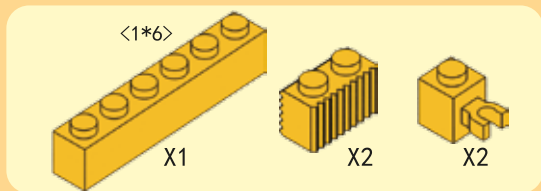
**15**



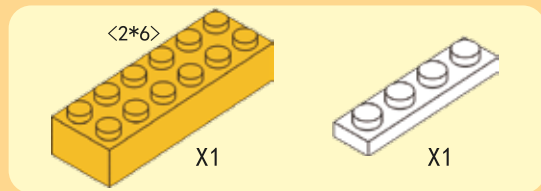
**16**



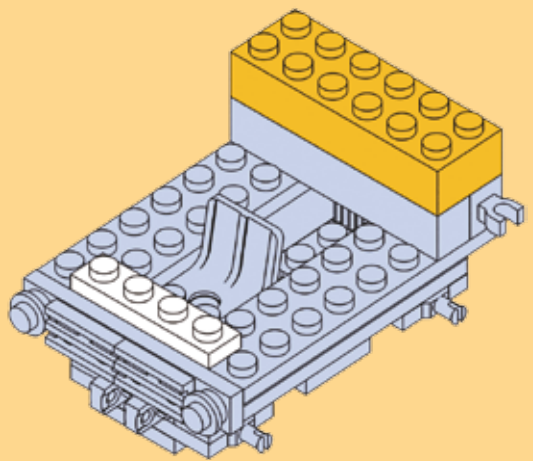
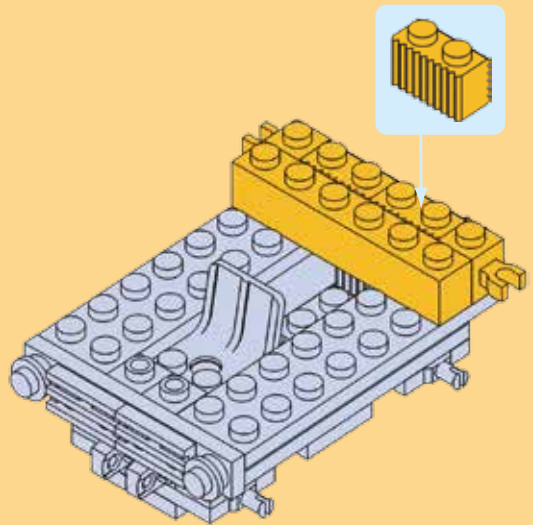




**17**

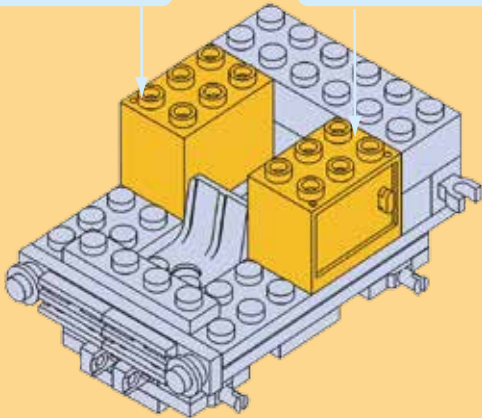
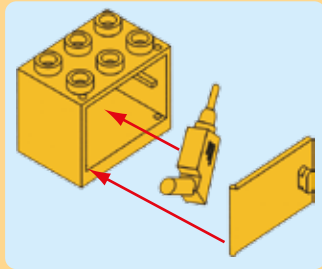
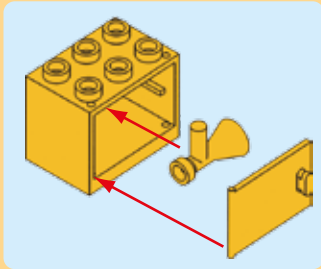


**18**

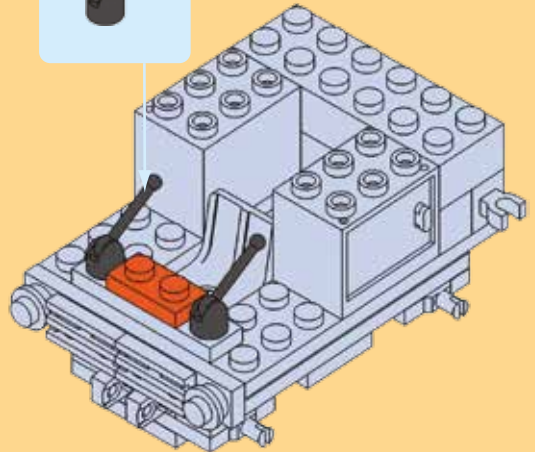
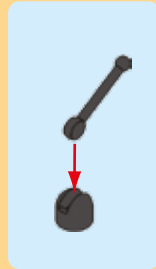


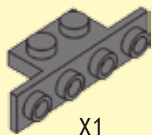


**19**

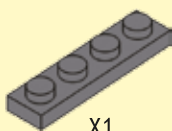


**20**





X1

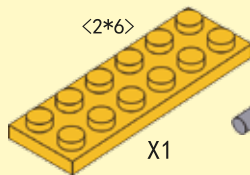
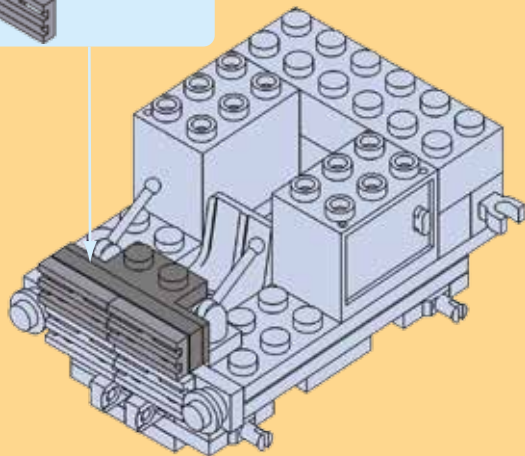
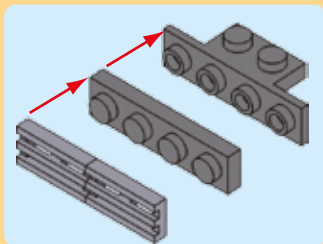


X1



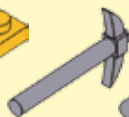
X2

**21**



<2\*6>

X1

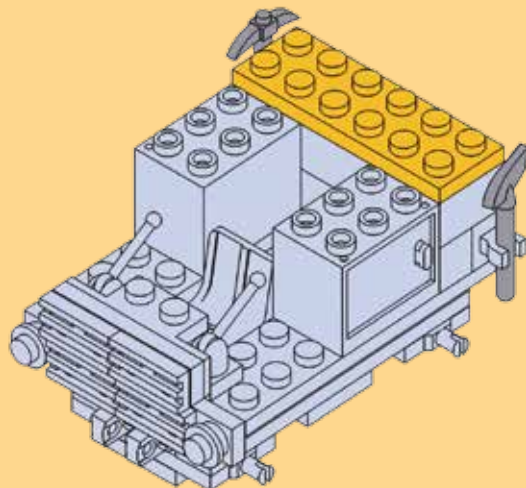


X1



X1

**22**



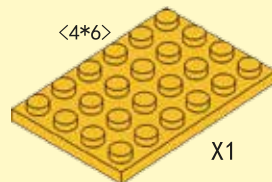


X4



X3

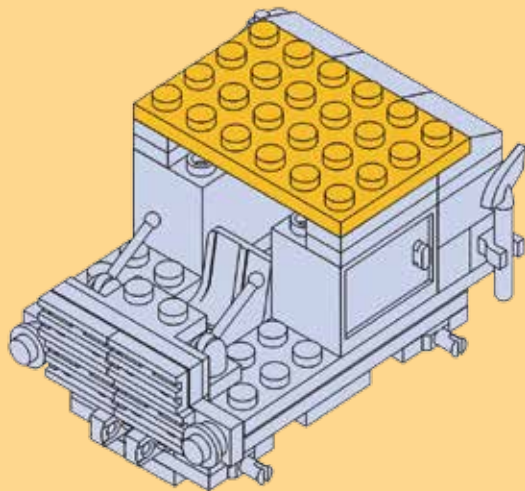
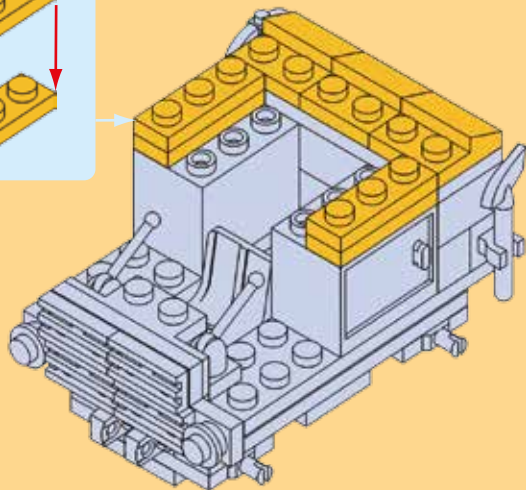
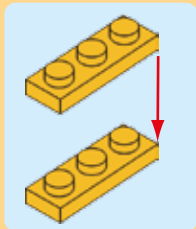
**23**

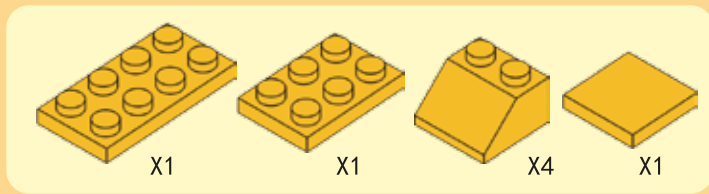


<4\*6>

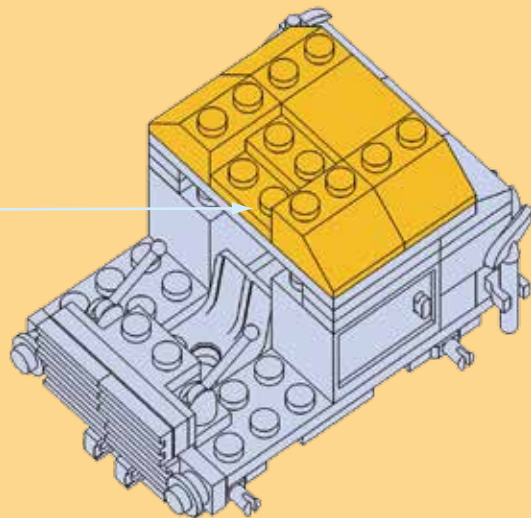
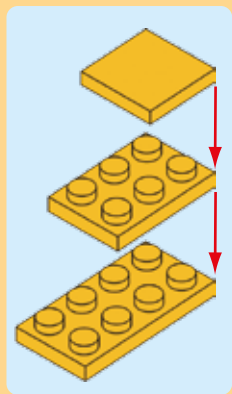
X1

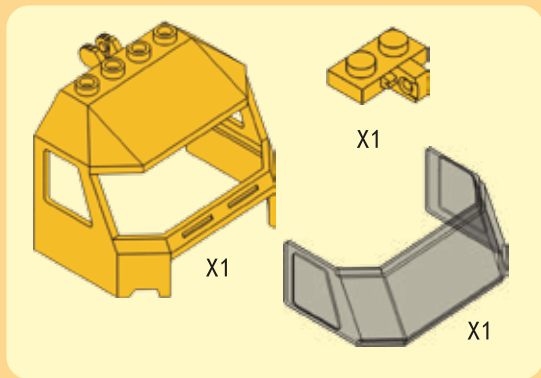
**24**



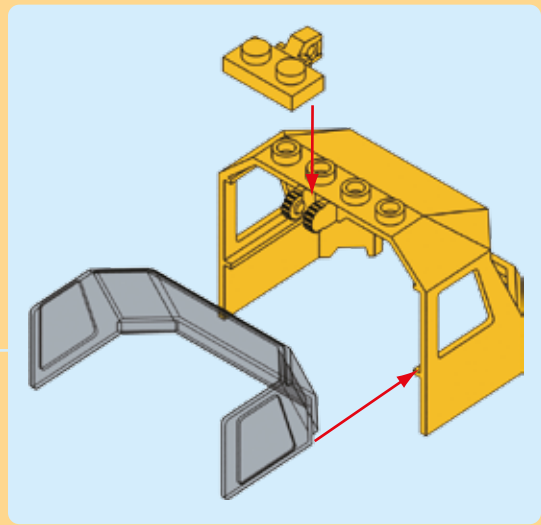
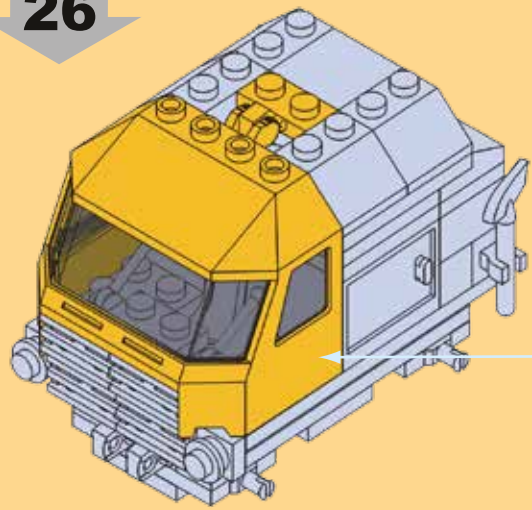


**25**





**26**





X1



X1

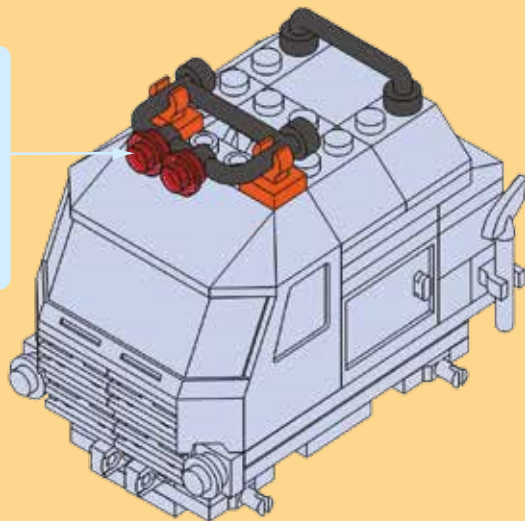
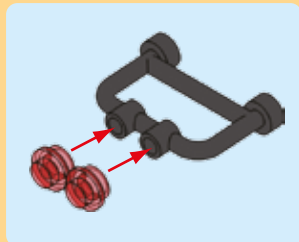


X2



X2

27



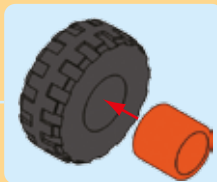
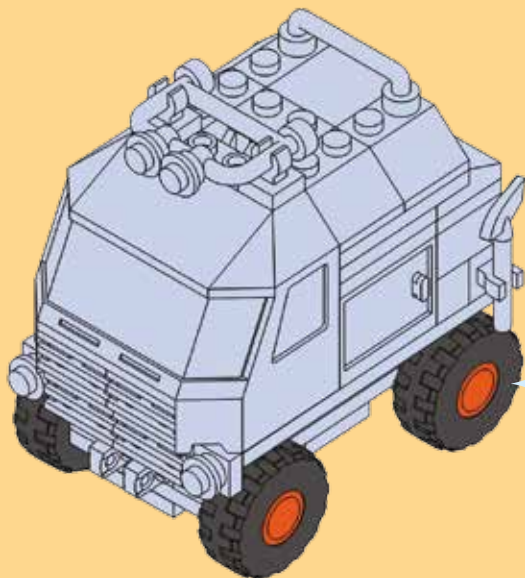


X4

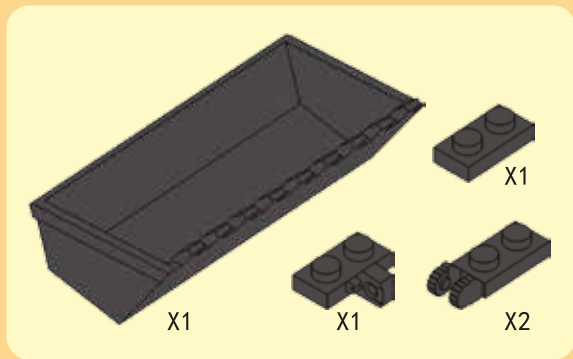


X4

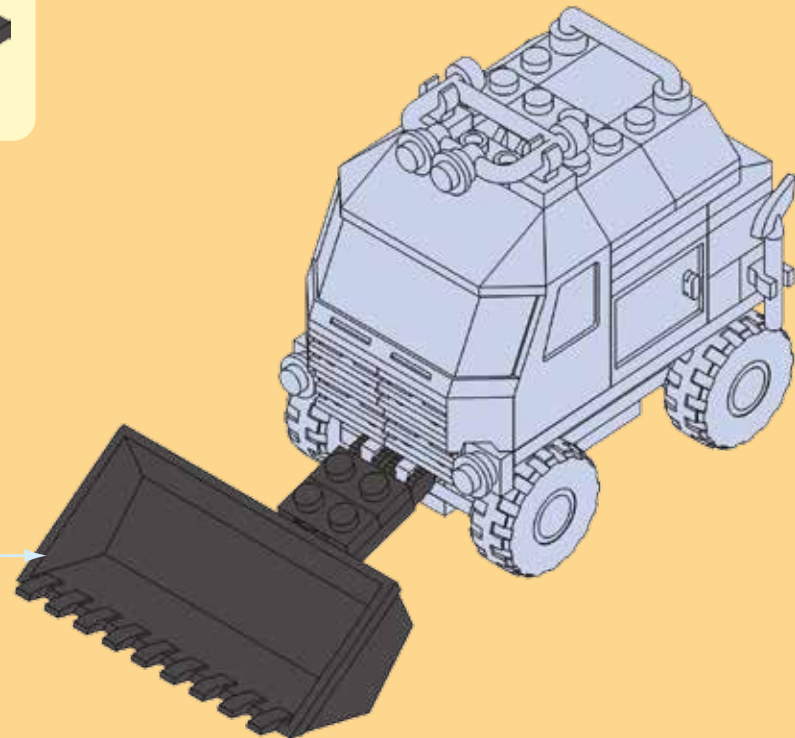
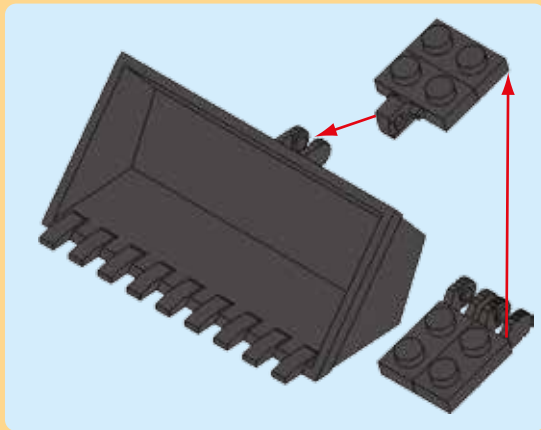
**28**

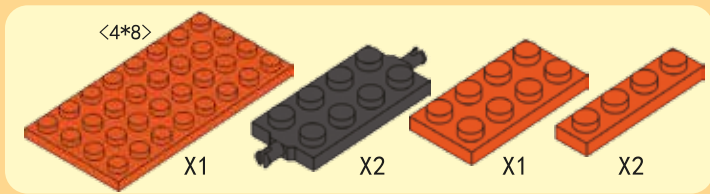




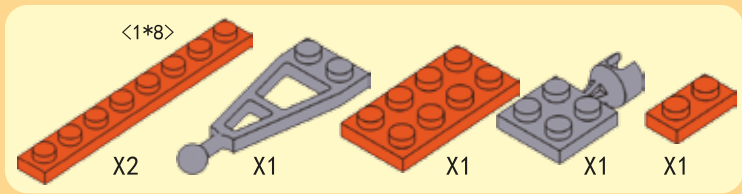


**29**

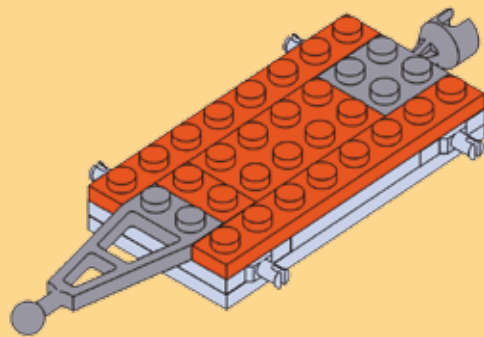
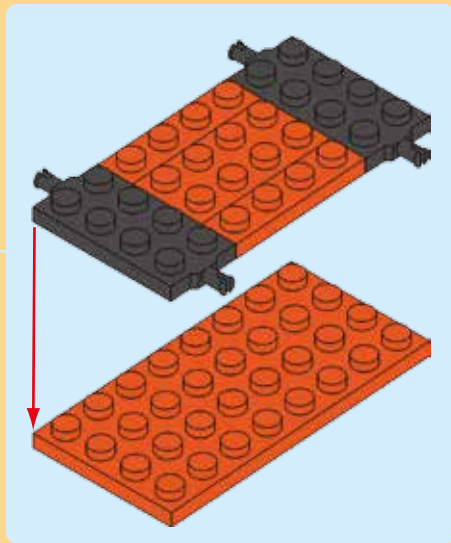
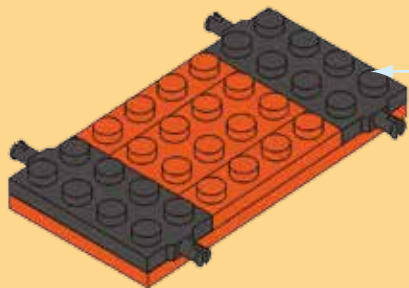


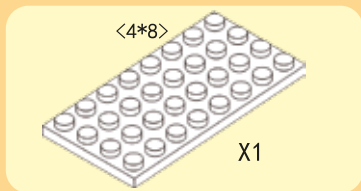


**30**

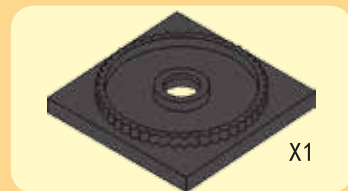
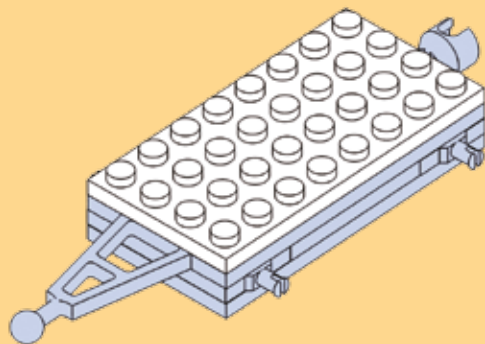


**31**

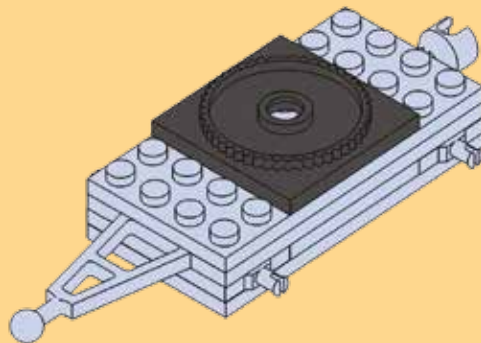


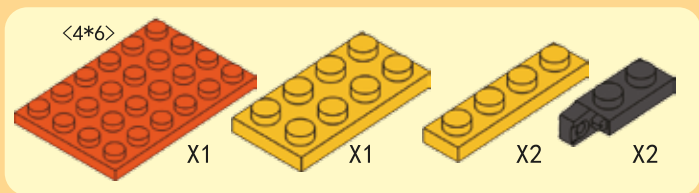


**32**

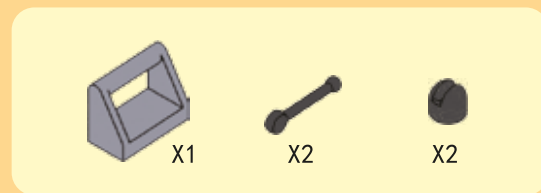
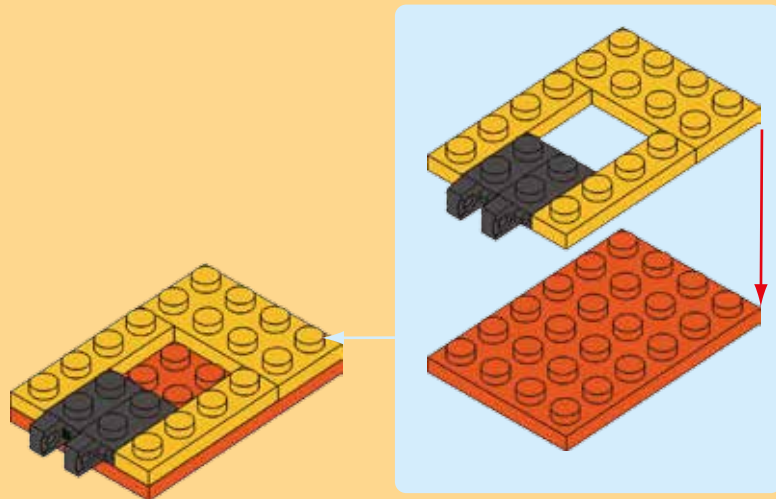


**33**

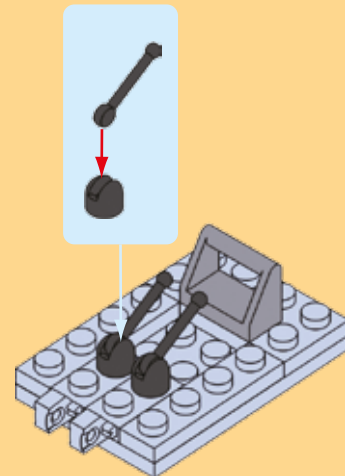




**34**



**35**



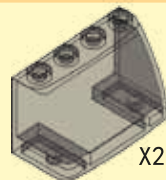
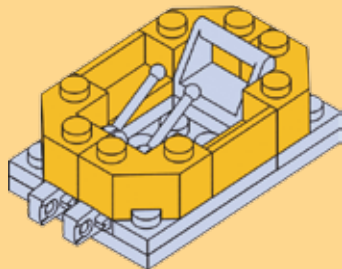


X4



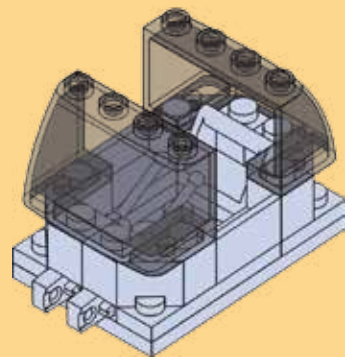
X2

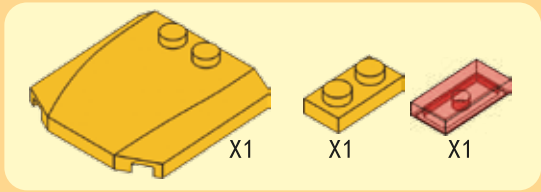
**36**



X2

**37**

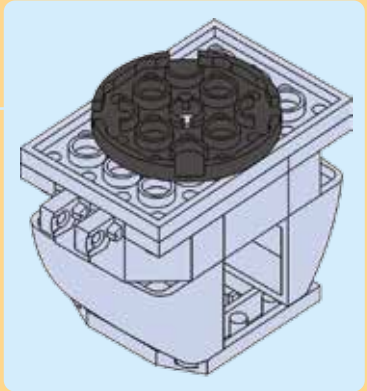
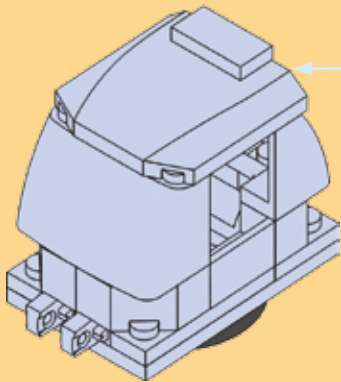
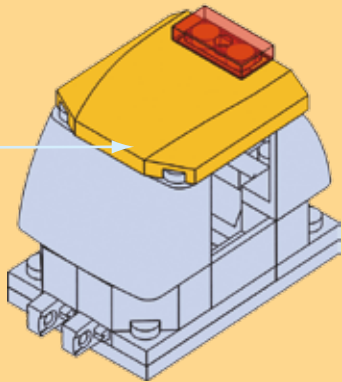
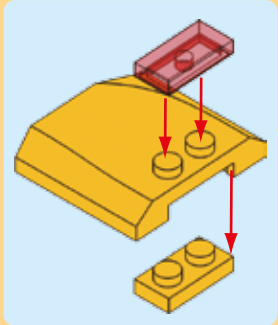




**38**



**39**





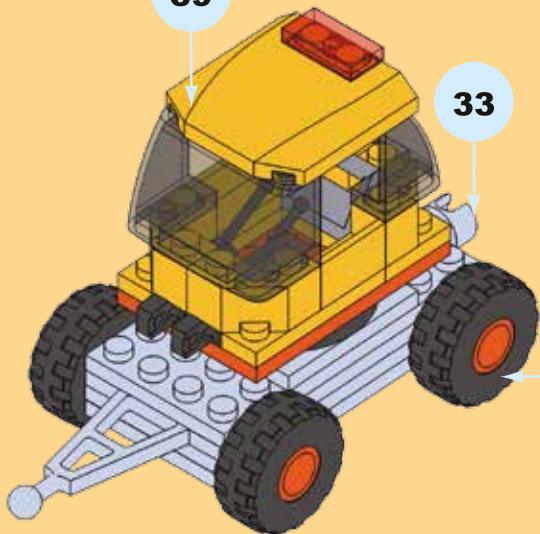
X4



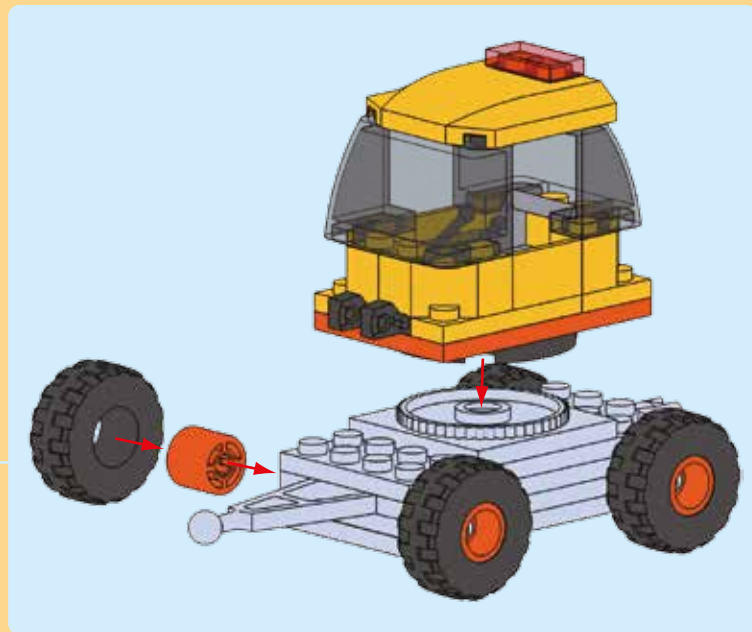
X4

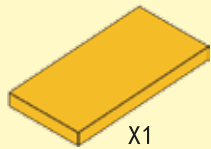
40

39

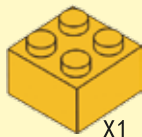


33

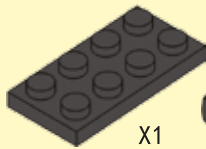




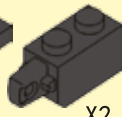
X1



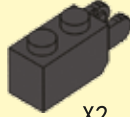
X1



X1

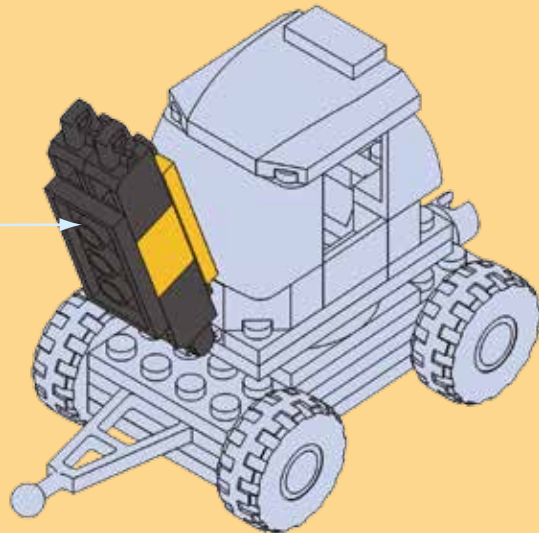
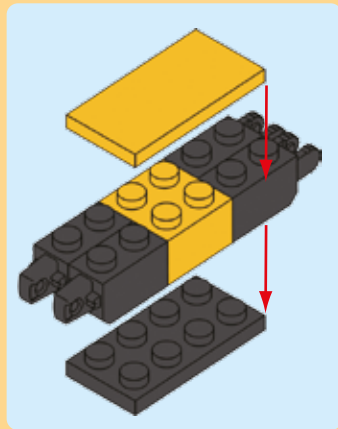


X2

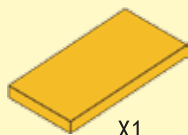


X2

**41**







X1



X1



X1



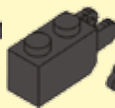
X1



X2



X1



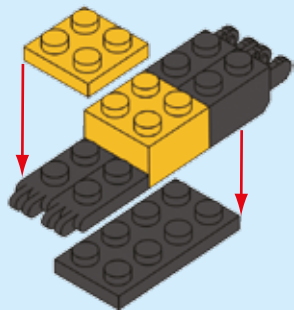
X2



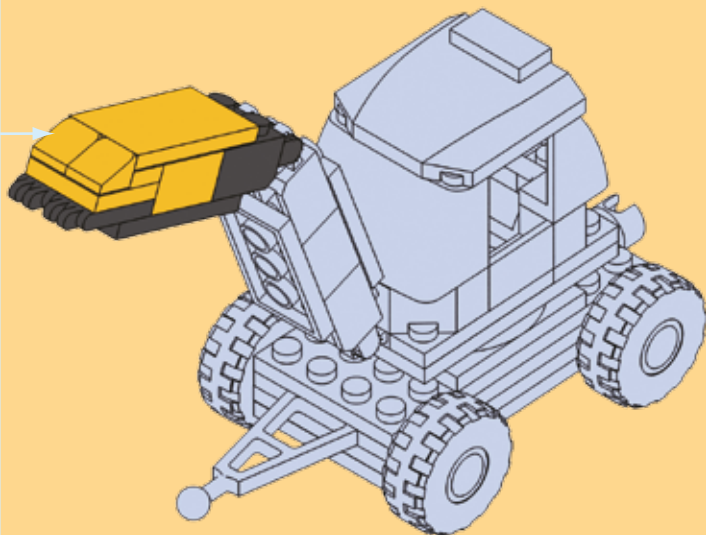
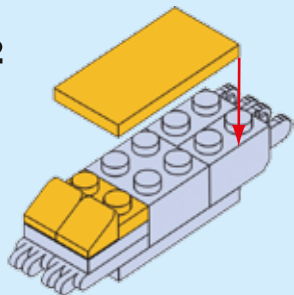
X2

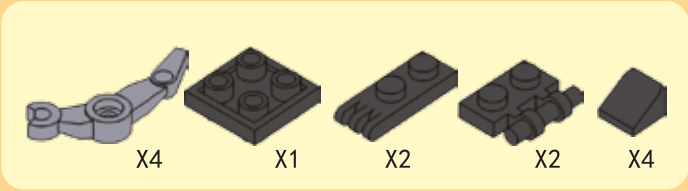
42

1

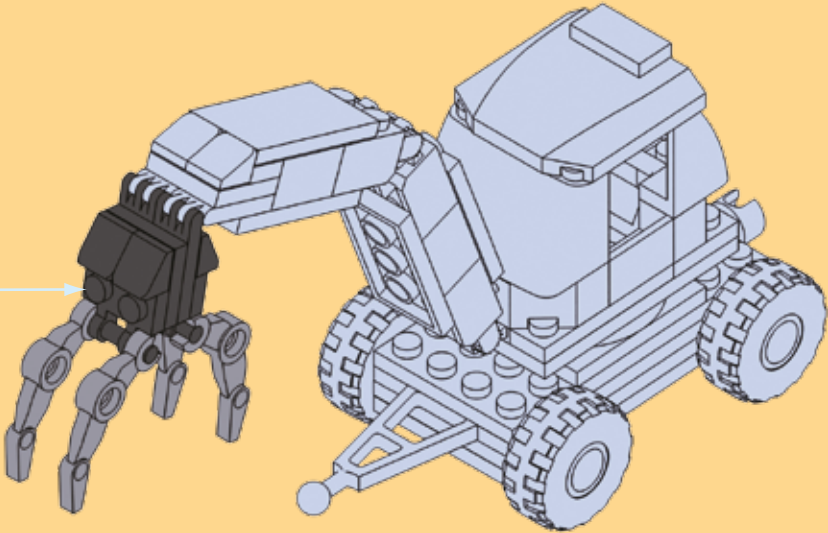
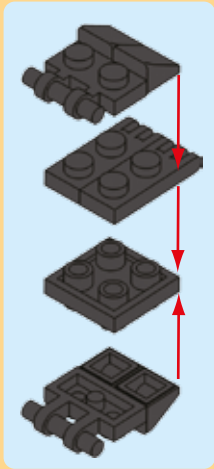


2





43



**CONSTRUCTION**  
ENGINEERING

NO.29505



**6+** AGES

# CONSTRUCTION

ENGINEERING



6+ AGES