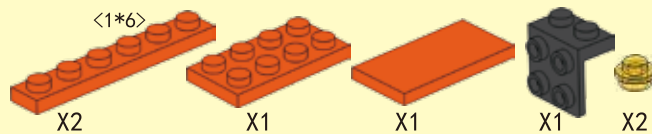
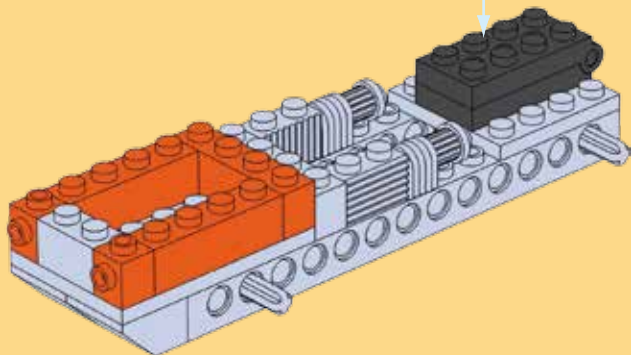
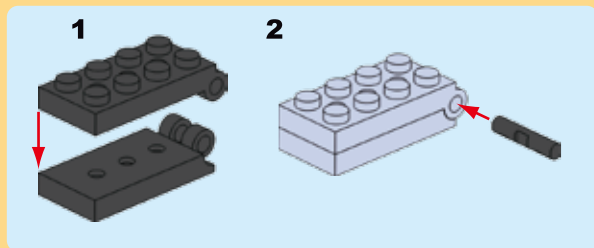
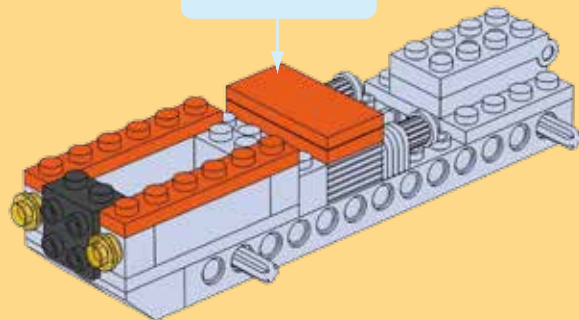
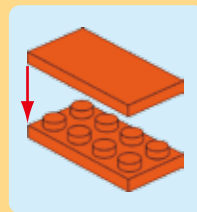
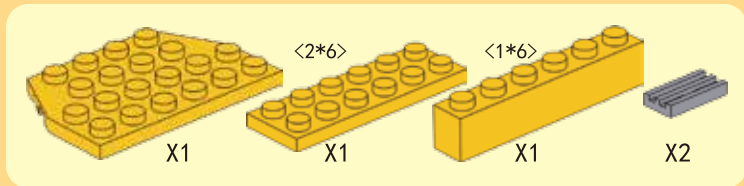


5

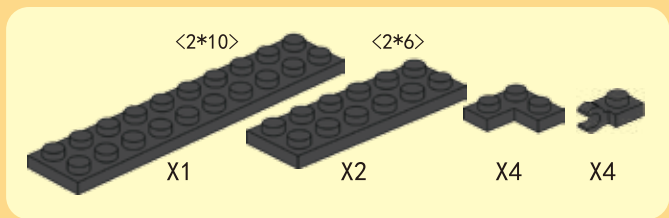
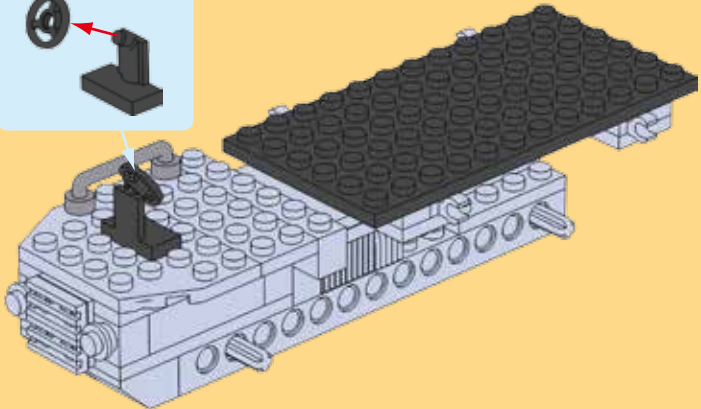
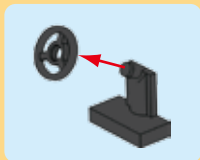
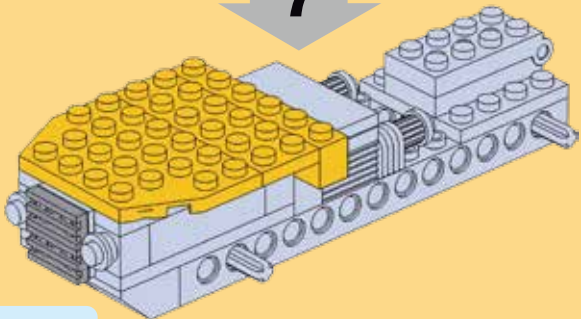


6

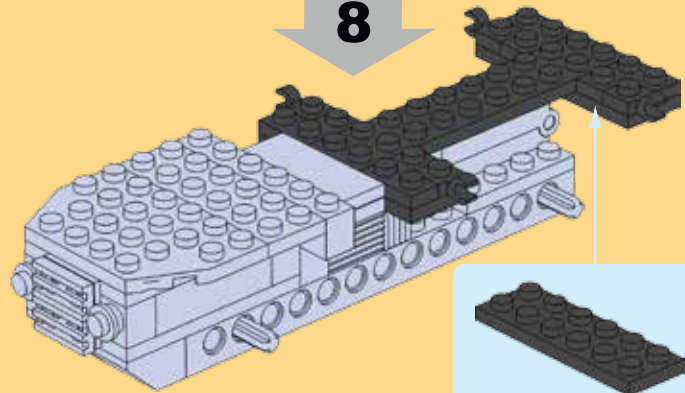




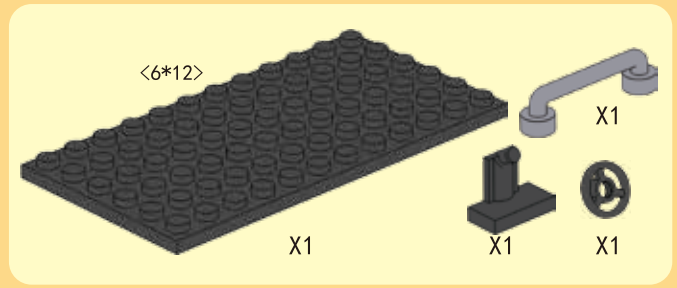
7

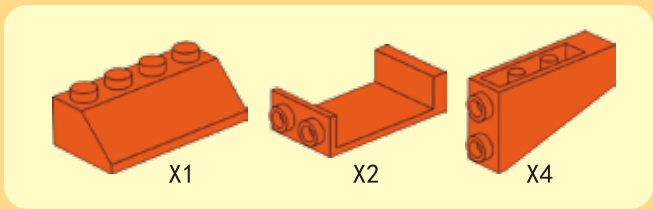


8

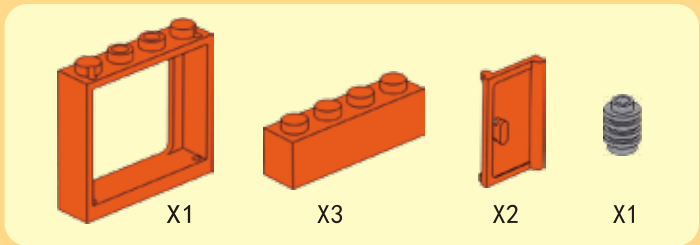
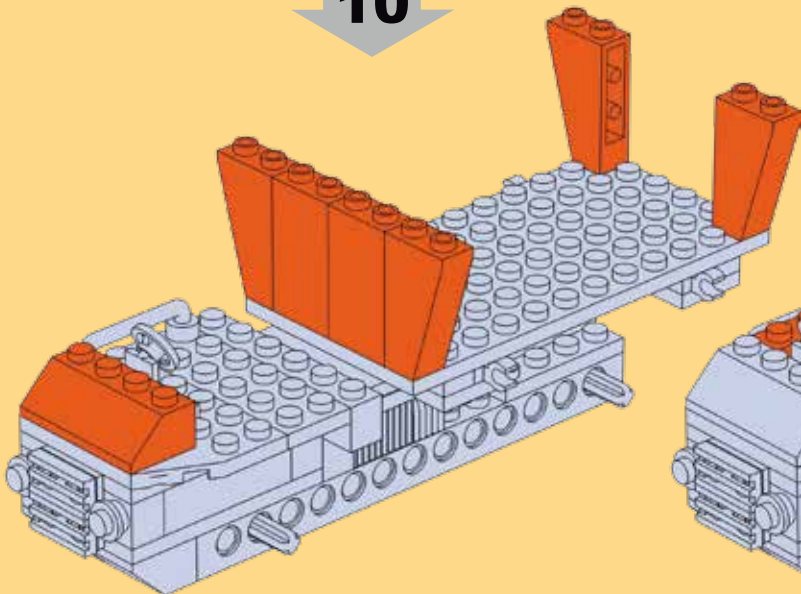


9

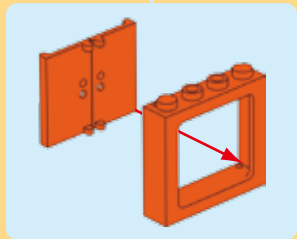
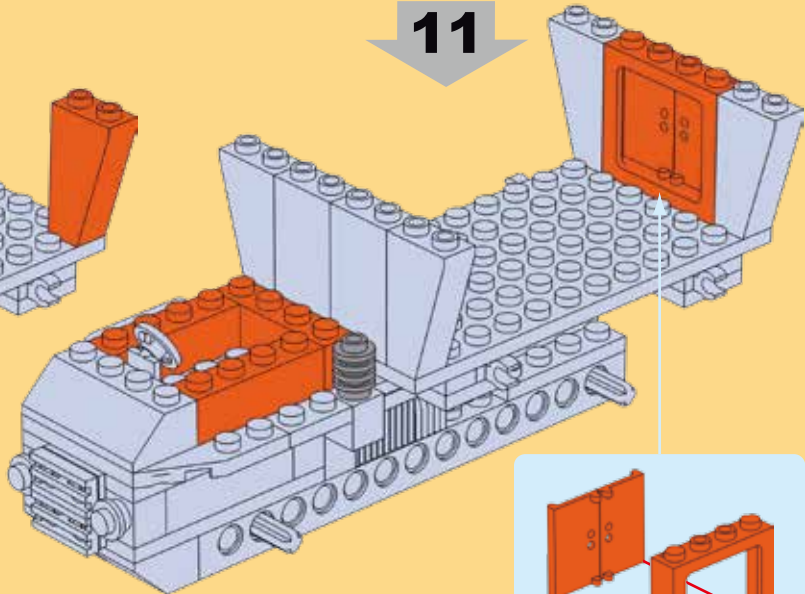


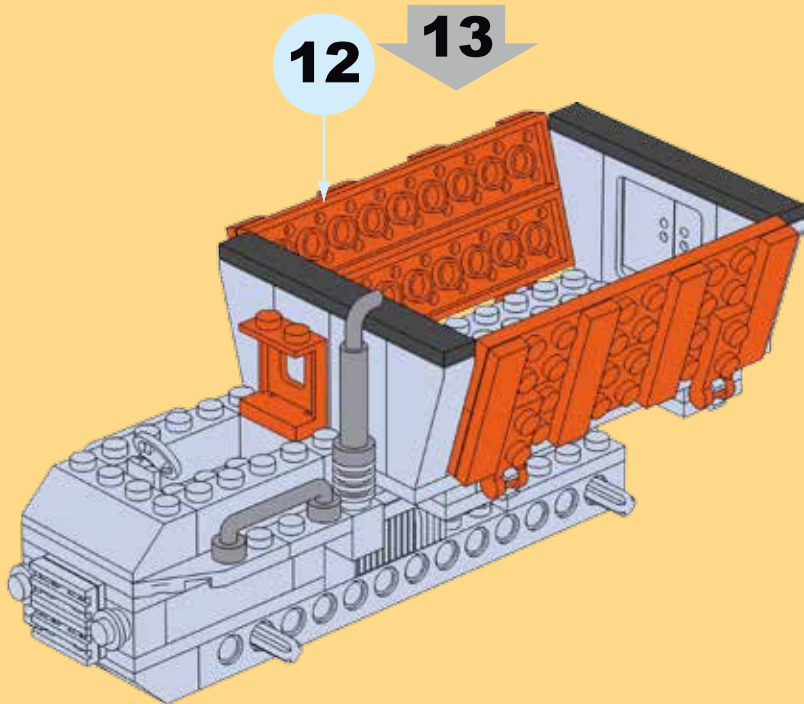
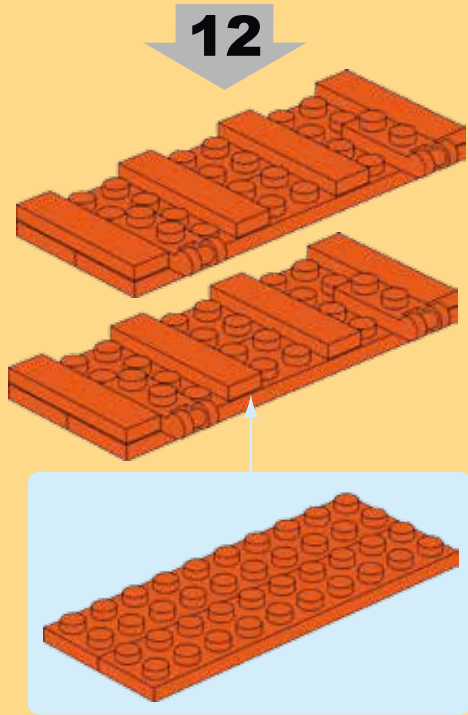
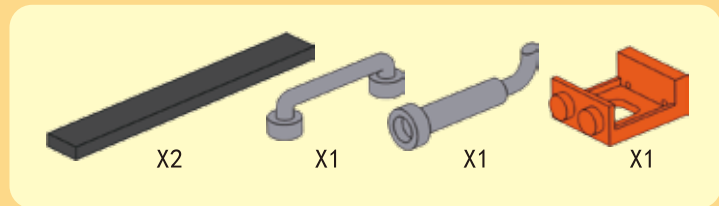
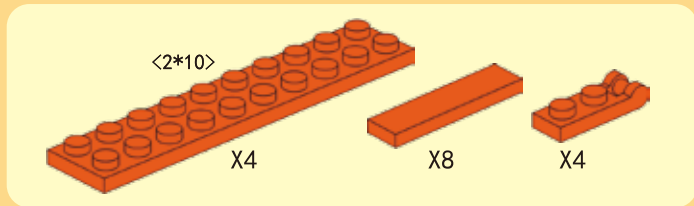


10



11







X1



X2

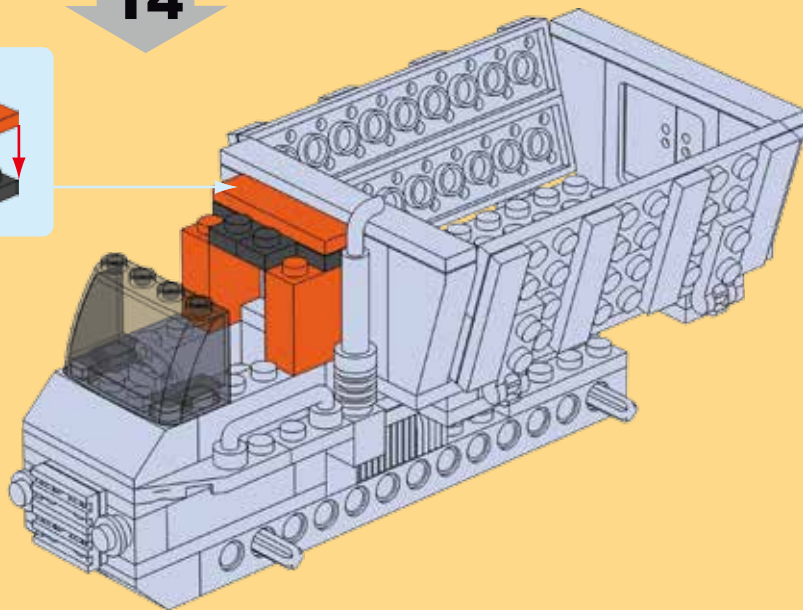
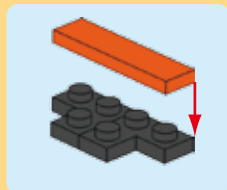


X1



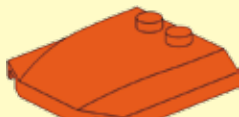
X2

14





X4



X1

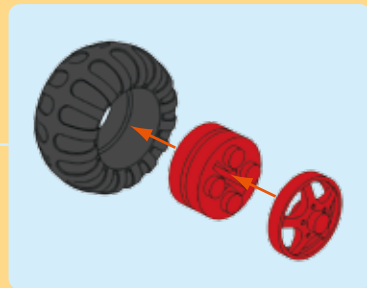
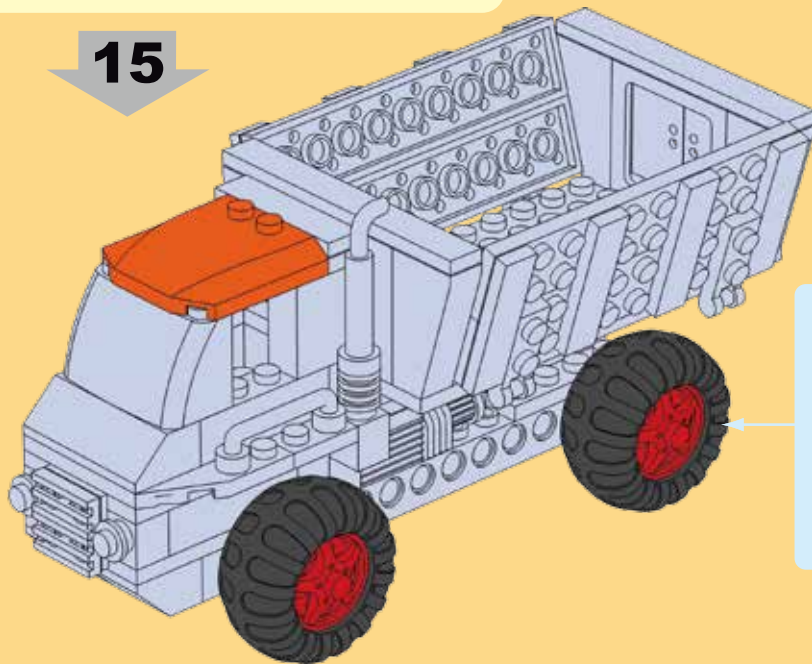


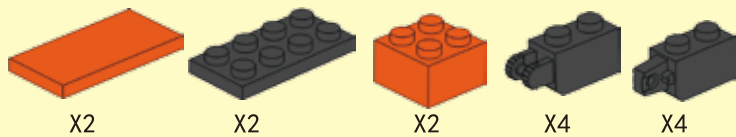
X4



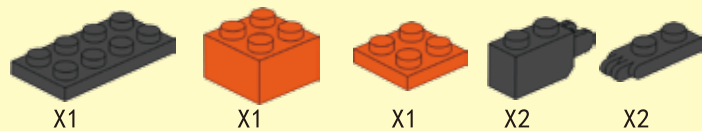
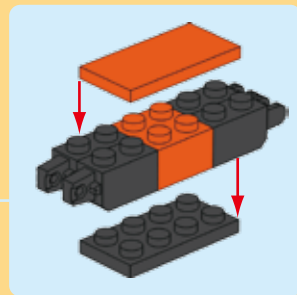
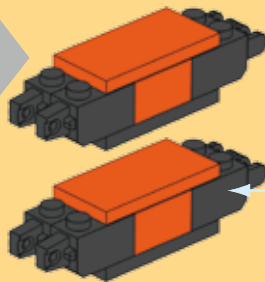
X4

15

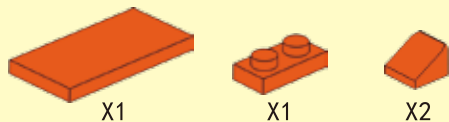
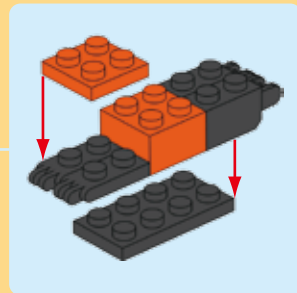
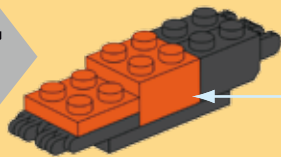




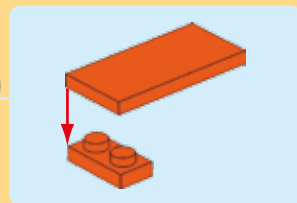
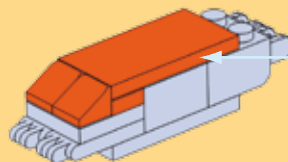
16

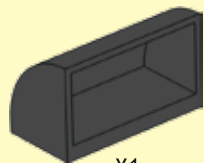


17



18





X1



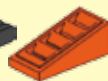
X2



X1

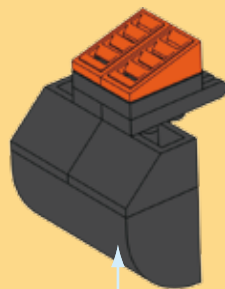


X2

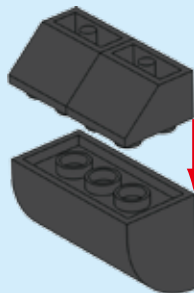


X2

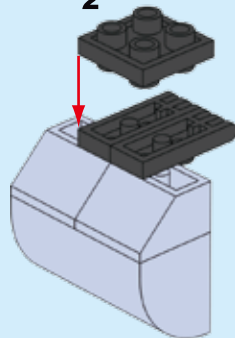
19



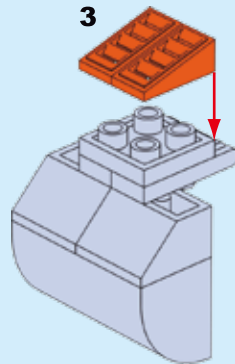
1

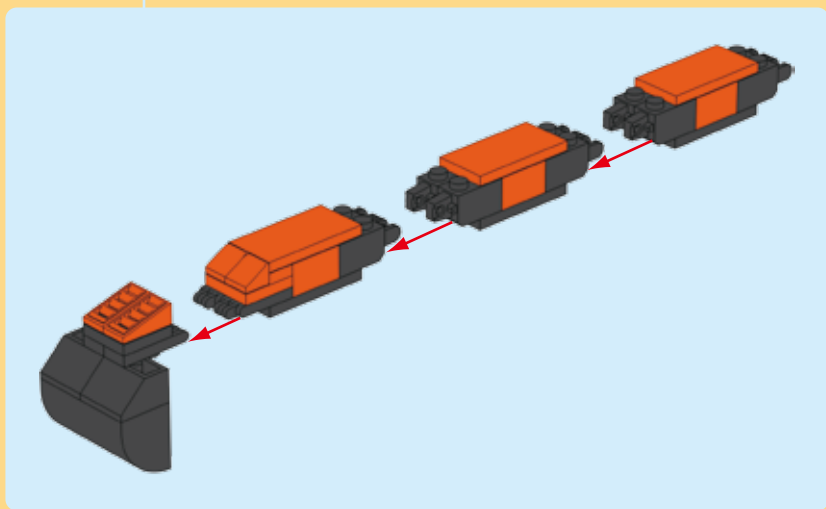
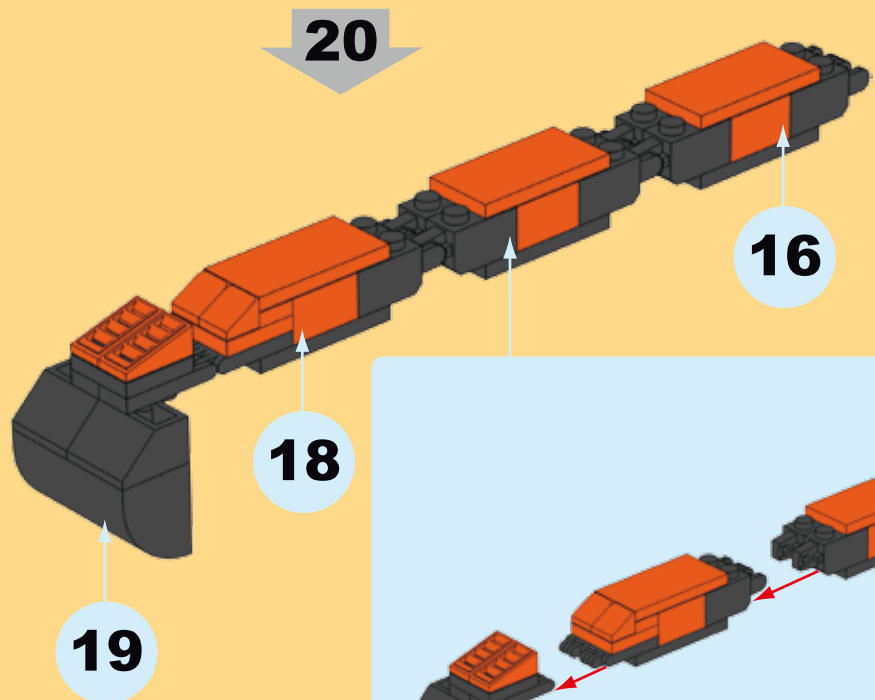


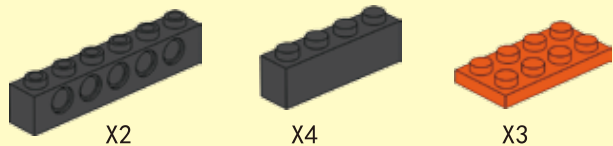
2



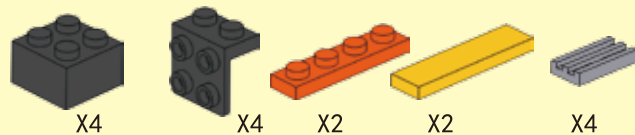
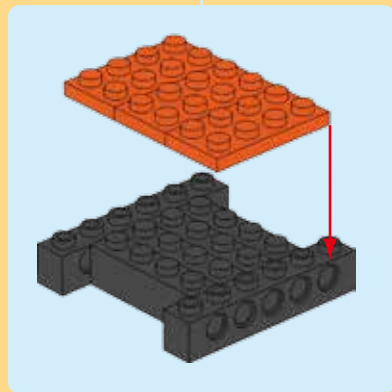
3



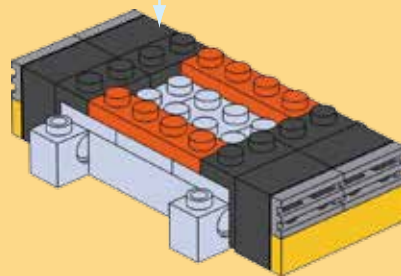
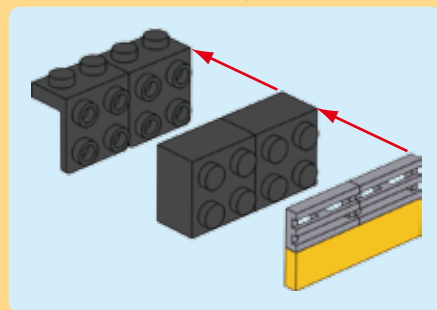


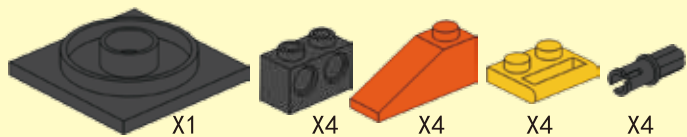


21

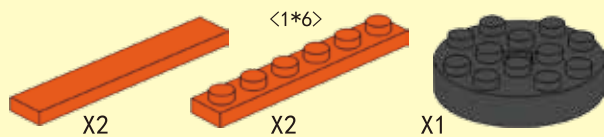
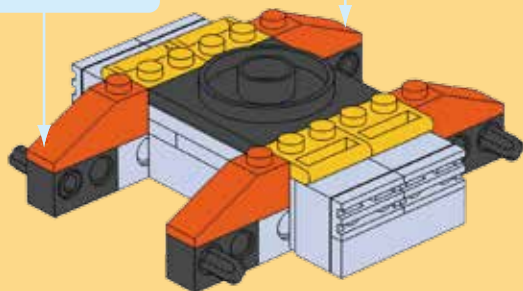
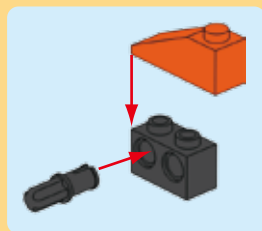
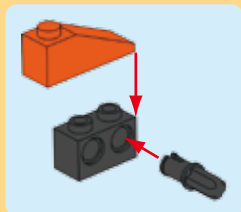


22

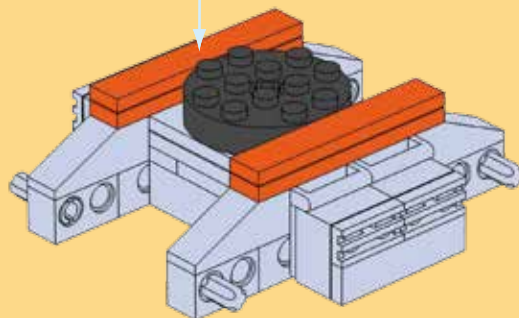
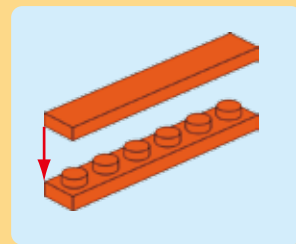


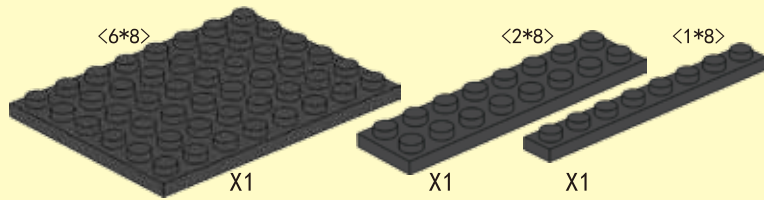


23

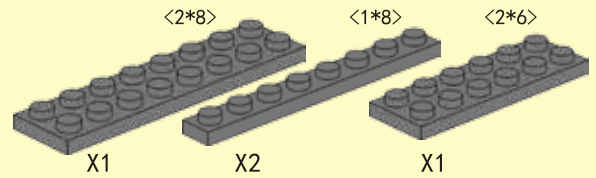


24

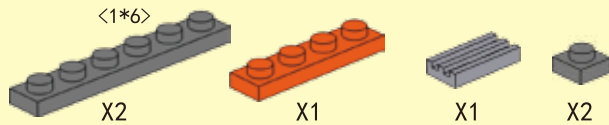
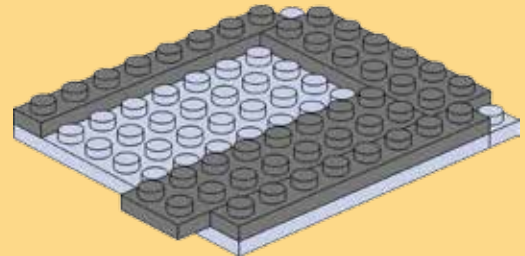




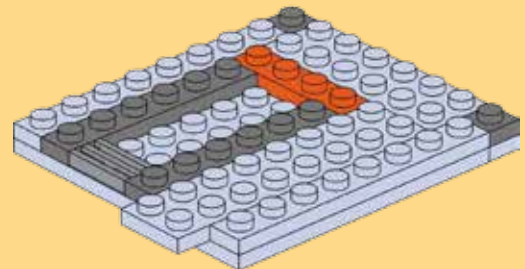
25

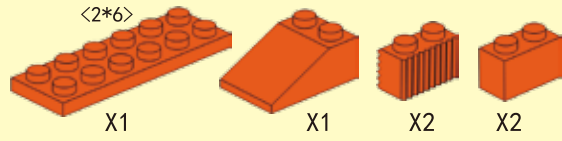


26

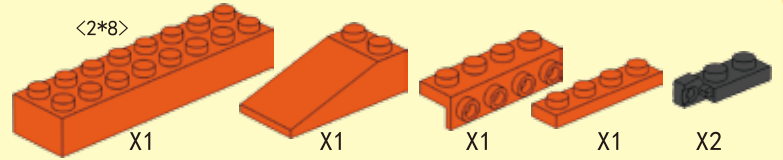
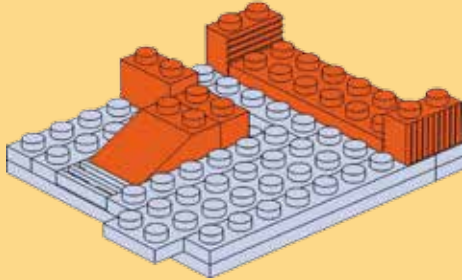


27

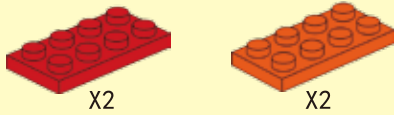
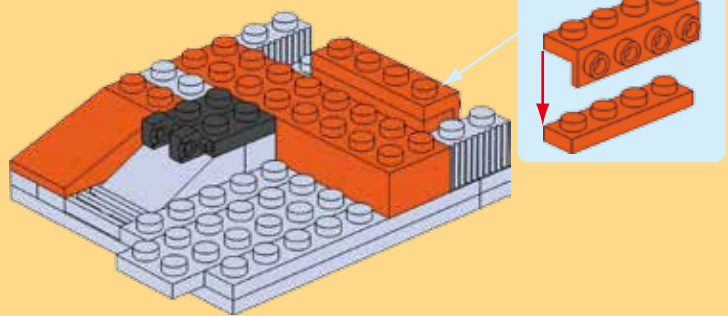




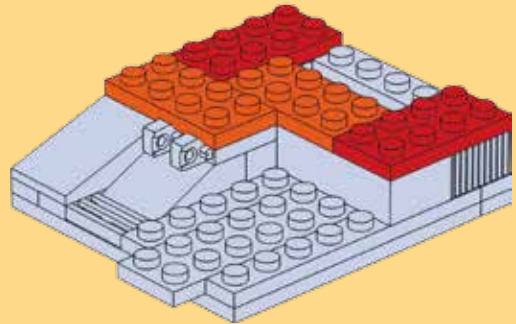
28

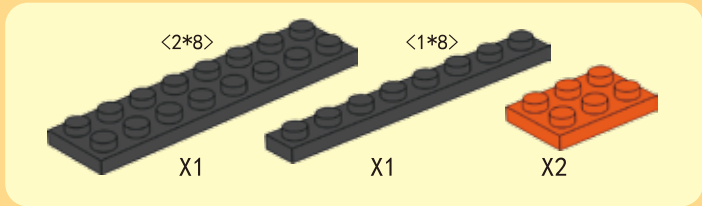


29

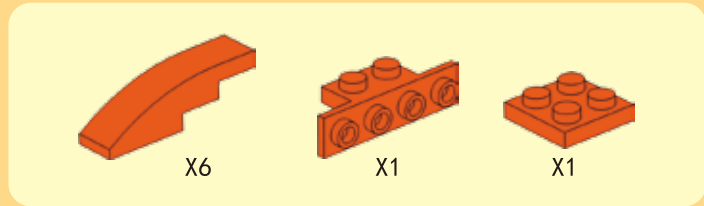
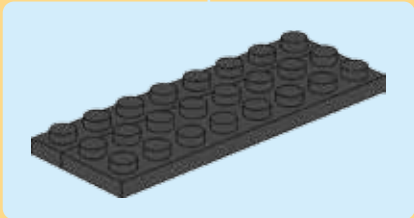
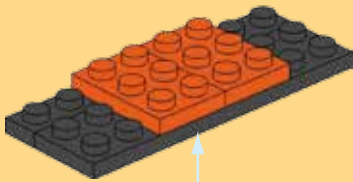


30

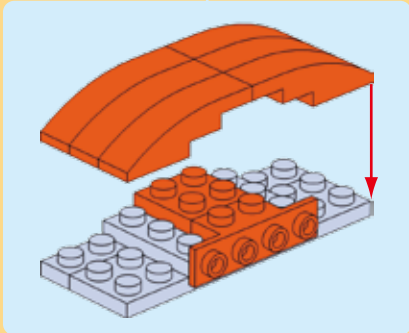
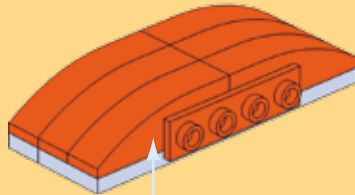




31



32





X2

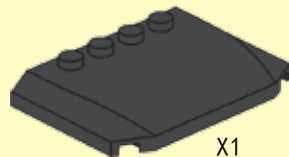


X1



X2

33



X1



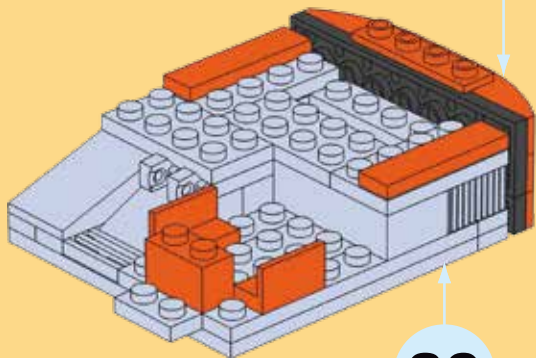
X3



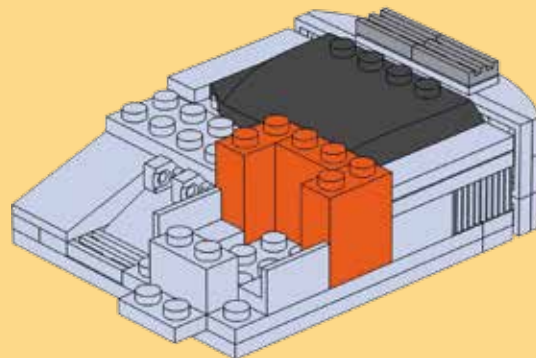
X2

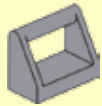
34

32



30





X1



X1

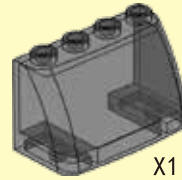
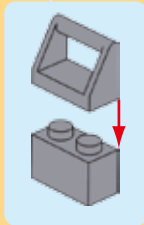
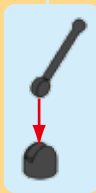
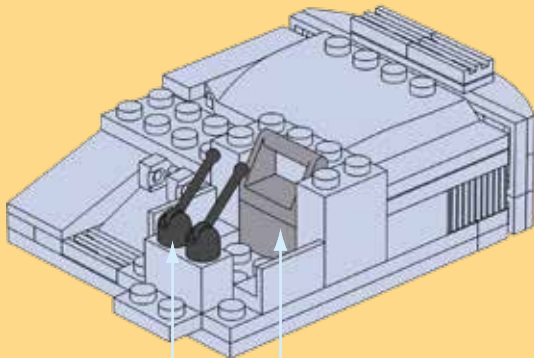


X2



X2

35

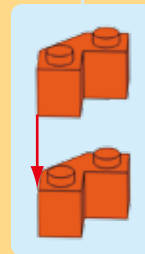
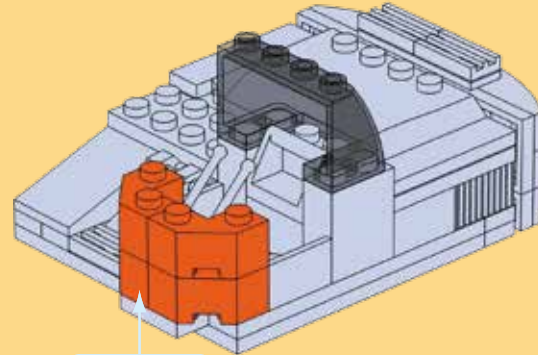


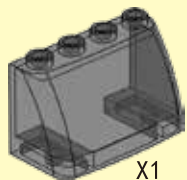
X1



X4

36



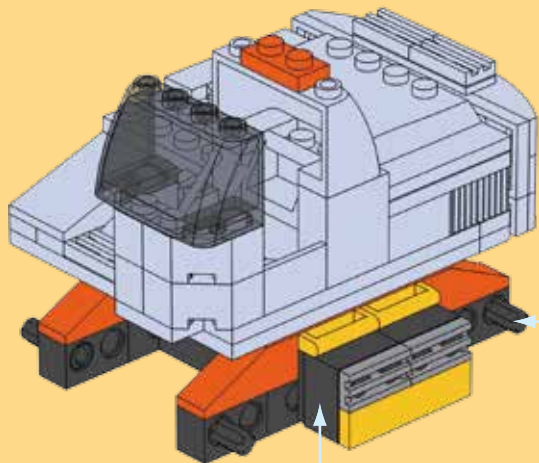


X1

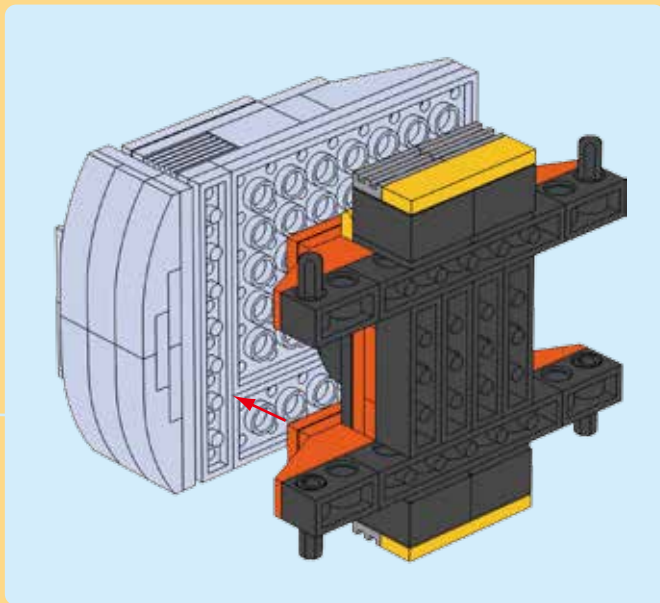


X1

37



24





X4



X1



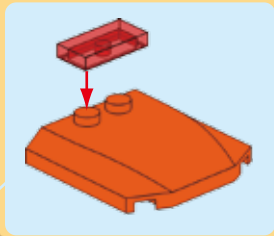
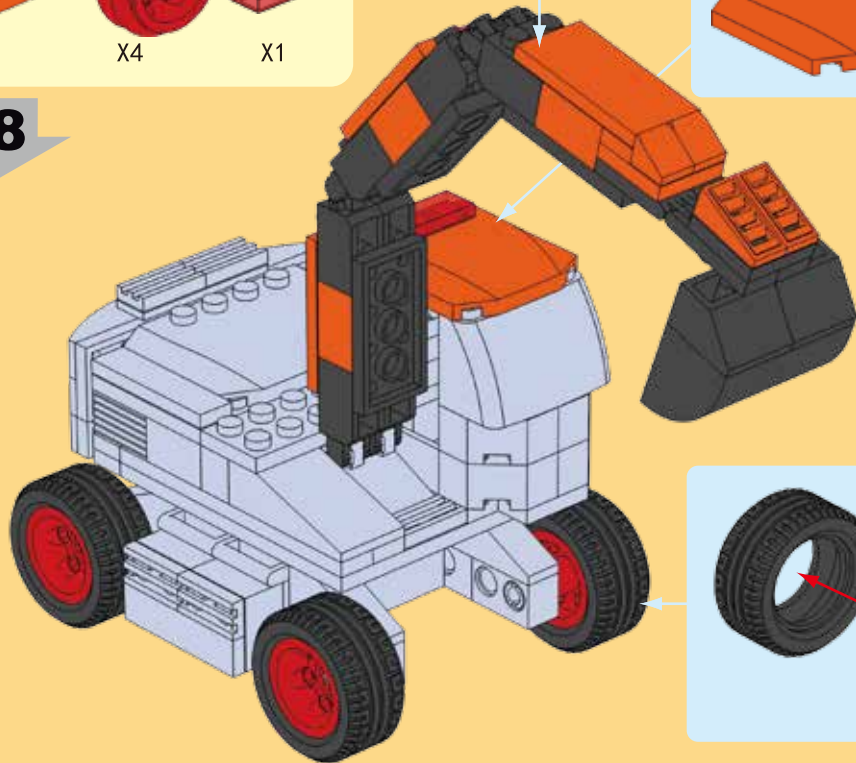
X4



X1

38

20



ENGINEERING
CONSTRUCTION

NO.29605



6+ AGES



ENGINEERING CONSTRUCTION

COMMANDO

