

Levenhuk biological microscopes

Levenhuk 850B (binocular)

Levenhuk 870T (trinocular)

Levenhuk D870T (trinocular)

User Manual

Návod k použití

Bedienungsanleitung

Instrukcja obsługi

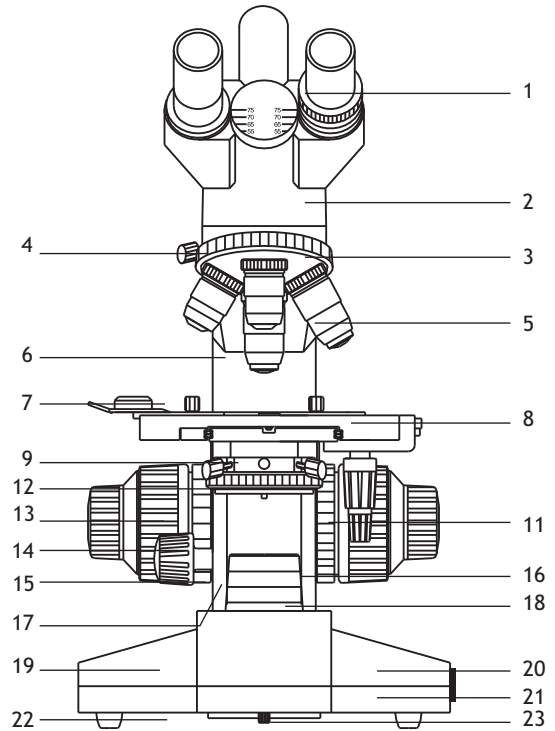
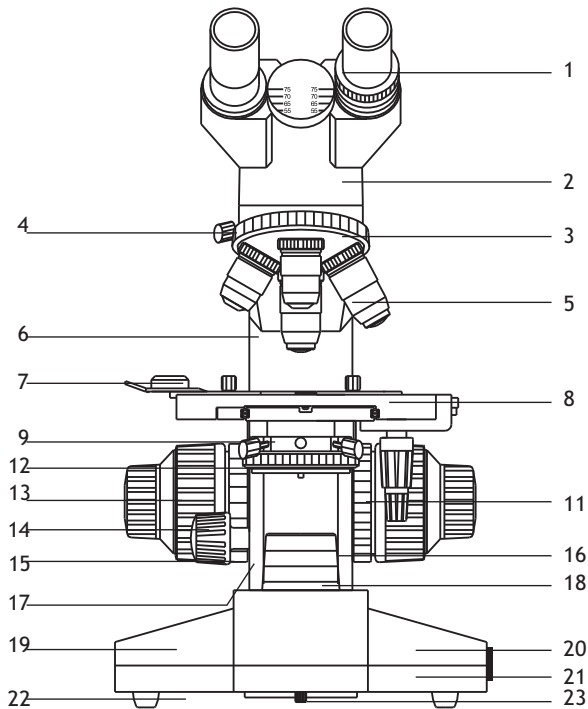
Инструкция по эксплуатации

Посібник користувача



*Radost zaostřit
Mit Vergnügen näher dran!
Radość przybliżania
Приближает с удовольствием
Наближує з радістю*

levenhuk[®]
Zoom&Joy



- 1 Eyepiece
- 2 Binocular head / Trinocular head
- 3 Revolving nosepiece
- 4 Locking screw
- 5 Objective lens
- 6 Arm
- 7 Specimen holder
- 8 Stage
- 9 Abbe condenser
- 10 Stage left/right movement control
- 11 Iris diaphragm
- 12 Fine focus knob
- 13 Coarse focus knob
- 14 Condenser vertical movement control
- 15 Focus system tension adjustment ring
- 16 Stage locking knob
- 17 Collector lens
- 18 Base
- 19 Power switch
- 20 Brightness adjustment knob
- 21 Rubber feet
- 22 Lamp compartment locking screw

- 1 Okulár
- 2 Binokulární hlavice / Trinokulární hlavice
- 3 Revolverový nosič objektivů
- 4 Pojistný šroub
- 5 Objektiv
- 6 Rameno
- 7 Držák preparátu
- 8 Pracovní stůl
- 9 Abeův kondenzor
- 10 Regulátor koaxiálního pohybu pracovního stolku
- 11 Irisová clona
- 12 Mikrošroub
- 13 Makrošroub
- 14 Regulátor vertikálního pohybu kondenzoru
- 15 Regulátor mechanického napětí
- 16 Pojistný šroub stolku
- 17 Kolektor
- 18 Stativ
- 19 Hlavní vypínač
- 20 Regulátor jasu
- 21 Pryžové nožky
- 22 Pojistný šroub komory žárovky

- 1 Okular
- 2 Binokularkopf / Trinokularkopf
- 3 Objektivrevolver
- 4 Verriegelungsschraube
- 5 Objektivlinse
- 6 Stativarm
- 7 Probenhalter
- 8 Objektstisch
- 9 Abbe-Kondensator
- 10 Gleichachsiger Objektstischtrieb
- 11 Irisblende
- 12 Feinfokussierknopf
- 13 Grobfokussierknopf
- 14 Kondensator-Vertikalbewegungsregler
- 15 Fokusspannungsring
- 16 Objektstisch-Verriegelungsknopf
- 17 Sammellinse
- 18 Sockel
- 19 Stromschalter
- 20 Helligkeitsregler
- 21 Gummifüße
- 22 Lampenfachschaube

- 1 Okular
- 2 Głowica dwuokularowa / trójokularowa
- 3 Miska rewolwerowa
- 4 Śruba blokująca
- 5 Soczewka obiektywowa
- 6 Ramię mikroskopu
- 7 Uchwyt na preparaty
- 8 Stolik
- 9 Kondensor Abbego
- 10 Pokrętko regulacji ruchu stolika w pionie
- 11 Przystona irysowa
- 12 Pokrętko precyzyjnej regulacji ostrości
- 13 Pokrętko zgrubej regulacji ostrości
- 14 Pokrętko regulacji ruchu kondensora w pionie
- 15 Pierścień regulacji napięcia
- 16 Pokrętko blokujące stolika
- 17 Soczewka skupiająca
- 18 Podstawa
- 19 Wyłącznik
- 20 Pokrętko regulacji jasności
- 21 Gumowe nóżki
- 22 Śruba blokująca obudowy lampy

- 1 Окуляр
- 2 Бинокулярная/тринокулярная насадка
- 3 Револьверная головка
- 4 Винт фиксации обзорной головки
- 5 Объектив
- 6 Корпус
- 7 Зажим препарата
- 8 Предметный столик
- 9 Конденсор Аббе
- 10 Регулятор перемещения предметного столика
- 11 Пластина ирисовой диафрагмы
- 12 Ручка тонкой фокусировки
- 13 Ручка грубой фокусировки
- 14 Ручка подъема/опускания конденсора
- 15 Ручка регулировки натяжения
- 16 Ручка остановки предметного столика
- 17 Коллектор света
- 18 Основание
- 19 Переключатель
- 20 Регулятор яркости
- 21 Резиновые ножки
- 22 Винт замены лампы

- 1 Окуляр
- 2 Бинокулярна/тринокулярна голівка
- 3 Обертальна насадка
- 4 Блокувальний гвинт
- 5 Лінза об'єктива
- 6 Стержень
- 7 Затискач зразка
- 8 Столик
- 9 Конденсор Аббе
- 10 Коаксіальне управління переміщенням столика
- 11 Діафрагма отвору
- 12 Ручка точного фокусування
- 13 Ручка грубого фокусування
- 14 Ручка управління вертикальним переміщенням конденсора
- 15 Колесо налаштування напруження
- 16 Ручка блокування столика
- 17 Лінза колектора
- 18 Основа
- 19 Перемикач
- 20 Ручка регулятора яскравості
- 21 Гумові ніжки
- 22 Блокувальний гвинт відділення лампи

Never look directly at the Sun through optical devices or with the unaided eye! It can result in permanent eye damage or even BLINDNESS.

General Information

These microscopes are high precision instruments that may be used for clinical research and university studies; in laboratories and hospitals, technological centers and research institutes. They also perform well in medical studies in biology, bacteriology, cytology and pharmacology. Levenhuk 850B and 870T may be used for microphotography with additional accessories. The kit of Levenhuk D870T already includes an eyepiece digital camera that allows you to observe specimens on your PC monitor and save images on the hard drive.

This manual contains detailed information on the design and operational principles of your new microscope, as well as a troubleshooting and care and maintenance section. It is highly recommended that you read this manual before using the microscope for the first time. Abiding by the following instructions will ensure maximum service life of your microscope:

- This instrument was designed for high-power observations of various biological specimens. It should not be used for any other purpose.
- Do not try to take this microscope apart on your own, as you might damage the intricate optical system within. If the troubleshooting section of this manual did not contain a solution to your issue, you should contact the local Levenhuk service center.
- Always unplug the microscope from a power source before opening the base or changing the illumination lamp. Regardless of the lamp type (halogen or incandescent), give it some time to cool down before trying to change it, and always change it to a lamp of the same type. When using the microscope, try not to use it near flammable materials or substances (benzene, paper, cardboard, plastic, etc.), as the base may heat up during use, and might become a fire hazard.
- Always use the power supply with the proper voltage, i.e. indicated in the specifications of your new microscope. Plugging the instrument into a different power outlet may damage the electric circuitry of the microscope, burn out the lamp, or even cause a short circuit.
- Never touch the microscope optics with your fingers, as fingerprints and smudges will significantly reduce the quality of your views.
- These microscopes perform best under the following conditions: room temperature from 0 °C to 40 °C (32-104 °F), relative humidity not exceeding 85%. High temperatures and humidity may cause lenses to fog from inside, thus damaging the optical system.
- Any microscope is a very delicate instrument, so it should be handled with care. Even a slight impact might damage it.

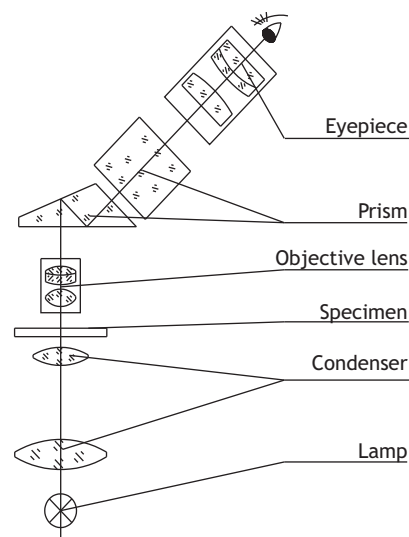
Operating principle

Light emitted from a lamp passes through the condenser and illuminates a specimen. The image is magnified by the objective lens, refracted by the prism and then magnified once more by the eyepiece.

Total magnification = (objective lens magnification) x (eyepiece magnification).

The kit of these microscopes includes two WF10x eyepieces with wide field of view:

Magnification	10x
Field of view	18 mm (0.71 in)
Working distance	24.95 mm (0.98 in)



Objective lenses

The standard kit of these microscopes includes the following DIN achromatic objective lenses: 4x, 10x, 40x (spring-loaded) and 100x (spring-loaded, oil immersion). When using the 100x objective lens, both the lens and the cover glass of the observed specimen should be immersed in a transparent oil of high refractive index. This displaces the air and, as a result, increases the quality of your views. If some air bubbles are still present, you may have to rotate the revolving nosepiece once, or add some more immersion oil. Upon finishing the high-power observations, you should wipe the objective lens and the cover glass clean. Otherwise, the oil will dry and reduce the quality of subsequent views.

DIN achromatic objective lens	4X	10X	40X	100X
Magnification	4	10	40	100
Aperture	0.1 mm	0.25 mm	0.65 mm	1.25 mm
Working distance	36.9 mm (1.45 in)	7.116 mm (0.28 in)	0.632 mm (0.025 in)	0.158 mm (0.006 in)
Comments			Spring-loaded	Spring-loaded, oil immersion

Binocular head

The binocular head of these microscopes may be inclined at a 30° angle and rotated 360 degrees. The interpupillary distance adjustment range is 55-75 mm (2.16-2.95 in), the diopter adjustment range is from +5 to -5 diopters on each eyepiece.

Revolving nosepiece

The state of the art nosepiece provides for smooth rotation and easily locks in place on the desired objective lens. The parfocal objective lenses used in these microscopes provide for simple switching from one magnification to the other, without having to refocus your view over and over again.

Stage

These microscopes are equipped with a 140 mm x 155 mm (5.5 in x 6.1 in) stage with coaxial controls. Press the stage clip lever and place a slide with a specimen on the stage. Release the lever and it will securely lock the slide in place. You can move the stage horizontally by using the coaxial controls below the stage. It moves within 70 mm (2.76 in) range in 0.1 mm (0.004 in) increments.

Abbe condenser

The numerical aperture (N.A.) of this high quality condenser is 1.25. Its position may be adjusted by turning the locking screws, without any additional tools:

- rotate the revolving nosepiece until either a 4x or a 10x objective lens is locked in place;
- rotate the iris diaphragm to reduce its diameter;
- lower the condenser until the diaphragm image is somewhat sharp;
- focus the view by loosening or tightening the locking screws.

The condenser has been aligned with the objective lens during production. If this alignment hasn't been performed, the field of view will be very irregular, with parts of it very bright, and others very dark. The rack-and-pinion mechanism moves the condenser up and down within a 20 mm (0.79 in) range. Generally, you would want to raise the condenser when using high-power objective lenses (40x, 100x) and lower it with low-power objective lenses (4x, 10x). The highest position of the condenser is locked at 0.2 mm away from the stage.

If the condenser-objective lens alignment has somehow gone awry, you have to perform the following operations: loosen the nut on the locking screw;

- place a slide with a specimen on the stage;
- raise the condenser to its highest position;
- tighten the locking screw until the condenser touches the bottom of the stage;
- retighten the nut on the locking screw.

Rotate the iris diaphragm to adjust its diameter in 2-30 mm (0.08-1.18 in) range, so that it corresponds with the N.A. of the objective lens currently in use. When the iris diameter is approximately 70-80% of the objective lens N.A., the observed image is sharp and clear. Remove one of the eyepieces and look through the tube. You will see the iris diaphragm. You can use a color filter with the diaphragm for additional contrast and detail on the image. The filters come in blue, green or yellow.

Focus system

The coarse and fine focus systems are operated with a rack-and-pinion mechanism. The coaxial design of the focus system allows you to adjust coarse and fine focus without any difficulties. Fine focus system adjusts in 0.002 mm (0.00008 in) increments; total adjustment range is 25 mm (0.98 in). You can use the coarse focus knob to quickly raise or lower the stage, and fine-tune the view with the fine focus knob.

Upon moving the stage into a desired position, you can secure it in place with the stage locking screw. Rotate it clockwise to lock the stage in its current position. It will remain in this position until you loosen the locking screw. If you are observing a large and heavy specimen, you might want to increase the coarse focus system knob tension. Rotate the adjustment ring on the focus knob and the stage will be lowered slowly and steadily, even with heavy specimens.

Illumination

Generally, a 6V/20W halogen lamp is used in the illumination system of a microscope. To adjust its brightness, rotate the corresponding knob, to better illuminate the observed specimen. The illumination should not be too bright with low-powered objective lenses and vice versa. When changing the lamp to a new one, make sure to align it along the optical axis, otherwise, the quality of your views will be significantly decreased.

To change the old lamp, loosen the screw on the bottom of the base, remove the cover and replace the lamp.

Assembly

Unpack your new microscope with great care. Check if all the parts and accessories are present. Note that some parts might have been disassembled for easier shipping, therefore, you will have to assemble them before you can begin your observations.

- Assemble the binocular head. Loosen the locking screw and remove the plastic cover from the arm. Remove the plastic cover from the binocular head. Attach the binocular head to the arm and secure it in place with a locking screw. Do not try to loosen the other two screws on the arm.
- Assemble objective lenses. Usually, we assemble the objective lenses on the factory lines, but in some models, they are shipped separately. First, remove the dust cap from the nosepiece and take out the objective lenses from their packaging. Attach the objective lenses to the nosepiece in ascending order (from lowest magnification to highest).
- Assemble eyepieces. Remove the dust cap from the tube and attach the eyepieces.

Using the microscope

- Choose a spot, where the microscope will not be in direct sunlight. Try to move as far away from windows as possible and do not point eyepieces toward windows. Direct sunlight may damage the optics and lower the contrast of images.
- Place a slide with a specimen on the stage and lock it in place. Make sure that the cover glass faces upwards, otherwise, you might have problems focusing your view at higher magnifications (40x or 100x).
- Use a low-power objective lens (4x or 10x) and turn the illumination on.
- Using the coaxial stage movement controls, position the slide, so that the specimen is centered above the condenser lens.
- Focus your view with the coarse focus knob. It is much easier to focus your view at lower magnifications, so that when you use a high-power objective lens, you will only have to fine-tune the focus with the fine focus knob.
- Now that your view is focused, rotate the revolving nosepiece to a high-power objective lens. Thanks to the parfocal lenses in these microscopes, you will only have to use the fine focus knob to bring your views into focus. It has to be mentioned that 4x and 10x objective lenses will never touch the surface of the slide, due to the built-in limiters. And although 40x and 100x may reach the slide, thanks to their spring-loaded construction, they will never break it.
- If you cannot focus your view, you might want to try changing the diameter of the iris diaphragm, so that it corresponds to the N.A. of the objective lens used.

Troubleshooting

If you are experiencing some problems with your instrument during its service, refer to this section for possible solutions. However, if this doesn't help, you should contact your local service center. Remember, do not try to take the microscope apart, as this will make your warranty null and void, as well as may lead to irreversible damage to the intricate optical system of the instrument.

Problems with the microscope:

Problem	Possible cause	Solution
Impossible to focus the view	The stage is too low	Raise the stage with the coarse focus knob
The objective lens often damages slides	The stage is too high	Lower the stage with the fine focus knob
Impossible to focus the view when using high-power objective lenses	The slide may have been placed upside down, or the cover glass is too thick	Place the slide properly or opt for a standard cover glass (0.17 mm (0.007 in) thick)
When rotating the nosepiece, objective lenses always scrape the surface	The cover glass is too thick	Opt for a standard cover glass (0.17 mm (0.007 in) thick)
Impossible to move the slide smoothly	The stage clips are not locked	Lock the stage clips manually
Incomplete binocular vision	Incorrect interpupillary distance	Adjust the interpupillary distance
	Incomplete diopter adjustment	Readjust diopter settings
	Insufficient brightness	Check the illumination source and readjust the brightness

Problems with the optical system:

Problem	Possible cause	Solution
The field of view is reduced or not fully illuminated	The objective lens is not locked in place	Rotate the revolving nosepiece to lock the desired lens in place
	The optical axis is not aligned	Readjust the illumination lamp
	The optics of the objective lens is dirty or dusty	Clean the objective lens
The field of view is reduced or not fully illuminated	The optics of the objective lens is dusty or dirty	Clean the objective lens
	The surface of the slide is dusty or dirty	Clean the slide
	The condenser lens is too low	Raise the condenser lens
Poor quality of views: reduced contrast, blurred details, etc.	The specimen is not protected with cover glass	Put the cover glass over the specimen
	The cover glass is too thick or too thin	Opt for a standard cover glass (0.17 mm (0.007 in) thick)
	The slide is placed upside down	Place the slide correctly
	The upper lens of the objective lens is dirty	Clean the lens
	The optics of the objective lens is dirty	Clean the objective lens
	Immersion oil was not used at high magnifications	Add immersion oil
	Air bubbles are present in the immersion oil	Rotate the revolving nosepiece or add some more oil

Poor quality of views: reduced contrast, blurred details, etc.	Using immersion oil with low refractive index	Use the required immersion oil with high refractive indices
	Prism surface is dirty	Clean the prism
	Iris diaphragm diameter is too wide or too small	Adjust the diameter
	Condenser lens is too low	Raise the condenser lens
One side of the field of view is darker than the other	Condenser lens is placed incorrectly or is inclined.	Adjust the condenser lens
	The objective lens is not aligned to the optical axis	Rotate the revolving nosepiece until the objective lens locks in place
The view is constantly shifting during observations	The slide is not locked on the stage	The objective lens is not aligned to the optical axis
	The objective lens is not aligned to the optical axis	Rotate the revolving nosepiece until the objective lens locks in place
The observed image is yellow	A blue filter is not used	Use the blue filter
Condenser lens is too low	Iris diaphragm diameter is too low	Adjust the diameter
	Condenser lens is too low	Raise the condenser lens
	The optics of the objective lens is dirty	Clean the objective lens

Problems with electric parts:

Problem	Possible cause	Solution
Illumination does not work, even though it is turned on	Power cable has disconnected	Check the power cable
	The lamp is not installed	Install the lamp
	The fuse is blown	Replace the lamp or the fuse
Lamps burn out quickly	Incorrect lamp is being used	Use the standard lamp
	Lamp voltage is too high	Lamp voltage is too high
The illumination is too dim	Incorrect lamp is being used	Use the standard lamp
	The power source voltage is too low	Lamp voltage is too high
The lamp keeps blinking, brightness keeps changing	Electrical surges	Adjust the power source
	The filament is about to burn out	Change the lamp
	Power cable has disconnected	Check the power cable

Care and maintenance

- Unpack the microscope with great care, make sure nothing falls on the ground;
- All the optics are calibrated on the factory line, do not try to take them apart on your own;
- The binocular head and the focus system are high-precision elements, and should not be taken apart. If you have any problems with either of them, contact our local service center;
- All mechanical elements have to be protected from dust; all the mechanisms should be greased regularly; all the optical elements should be kept clean;
- Store your microscope in a clean, dry place. Upon finishing your observations, replace the dust cover and unplug the instrument from the power source.

Digital camera

Levenhuk D870T comes with an 8 Mpx C800 NG digital camera.

The camera allows you to observe specimens in fine detail and true colors on your PC monitor and save images on the hard drive.

The special software that comes in the kit allows you to view and edit the resulting images. Supported file formats include: *.bmp, *.jpg, *.jpeg, *.png, *.tif, *.tiff, *.gif, *.psd, *.ico, *.emf, *.wmf, etc.

Connect the camera to your PC via a USB cable that also acts as a power cable, so you do not have to plug it into a power source.

Compatible OS: C800 NG - Windows XP/Vista/7/8.

Camera model	C800 NG
Max. Resolution (for still images)	3264x2448
Megapixels	8.0
Sensor	1/2.2" CMOS
Dimensions (cylined unit maximum diameter)	50 mm (1.97 ")
Pixel size	1.67µm x 1.67µm
Sensitivity, V/lux.sec@550 nm	0.31
Mounting location	Eyepiece tube (replaces the eyepiece)

Image format	BMP, TIFF, JPG, PICT, SFTL, etc.
Field of view diameter	18 mm (0.71 in)
Spectral range	400 nm - 650 nm
Exposure	ERS
White balance	Auto/manual
Exposure control	Auto/manual
Software image control	Image size, brightness, exposure control
Interface	USB 2.0, 480 Mb/s
System requirements	Windows XP/Vista/7/8; USB port
Software	Software for image viewing and editing
Shell	Metal cylinder, painted black
Power source	USB 2.0 cable
Temperature range	-30 - 70 °C / -22-158 °F

Generally, when using a low-power objective lens (4x, 10x) the image on the PC monitor will be too bright. In this case you can:

- reduce the illumination brightness;
- reduce the iris diaphragm diameter;
- lower the Abbe condenser lens.

When using a high-power objective lens (40x, 100x) the image on the PC monitor will be too dark. In this case you can:

- increase the illumination brightness;
- increase the iris diaphragm diameter;
- raise the Abbe condenser lens.

Caution

Never look at the sources of bright light or lasers through the camera or the microscope: it will cause PERMANENT RETINAL DAMAGE and may lead to BLINDNESS!

Do not try to take the camera or the microscope apart on your own.

Protect the camera and the microscope from moisture; do not use them in rainy weather.

Protect the camera and the microscope from impacts or excessive pressure.

Do not overtighten the locking screws.

Keep the camera and the microscope away from hazardous environments, home and care heaters, incandescent lamps or open fire.

When cleaning the lenses, first blow any dust or debris off the surface or wipe the off with a soft brush. Then wipe the lens with a soft cleaning cloth slightly damp with spirits or ether.

Never touch the optics with your fingers.

International Warranty

- The Vendor guarantees that the quality of the Levenhuk product purchased complies with the technical documentation requirements on conditions that the consumer observes rules of transportation, storage conditions and operating instructions.
- Levenhuk Ltd. warrants the product against defects in materials.
- During the warranty period the Buyer can return the defect product to the Vendor or to Levenhuk service center. Levenhuk Ltd. will repair or replace the defect product at its own discretion.
- No claims are accepted in case the properly filled warranty slip is absent or contains corrections, or if the defect product has not been provided by the Buyer. The manufacturer or the seller is not liable for any damages caused by misuse of the product. No guarantee is provided in cases the product was used for purposes other than that intended or has mechanical damages, scratches, cracks, optics damages, as well as in cases the product is broken-down due to impact damages, squeezing or stretching or the product has been disassembled or repaired by unauthorized personnel.
- This warranty does not cover components and/or accessories with limited use period, batteries, etc.

The period of warranty is 3 (three) years beginning on the date of purchase. Please keep the warranty slip along with your receipt.

For any warranty services please contact the local Levenhuk branch.

Levenhuk Worldwide:

USA: www.levenhuk.com

Czech Republic: www.levenhuk.cz

Russia: www.levenhuk.ru

Ukraine: www.levenhuk.com.ua

EU: www.levenhuk.eu

Purchase date _____ Signature _____ Stamp

Nikdy se nedívejte tímto přístrojem ani nechráněným okem přímo do slunce! Mohlo by to tak dojít k trvalému poškození zraku nebo dokonce OSLEPNUTÍ.

Obecné informace

Tyto mikroskopy jsou vysoce přesné přístroje, které lze použít pro klinický výzkum a univerzitní studie, v laboratořích a v nemocnicích, technologických centrech i ve výzkumných institucích. Dobré uplatnění nacházejí i při medicínských studiích v biologii, bakteriologii, cytologii a farmakologii. Levenhuk 850B a 870T lze s dalším příslušenstvím použít pro mikrofotografii. Součástí soupravy mikroskopu Levenhuk D870T je i digitální fotoaparát, který vám umožňuje místo okuláru pozorovat preparáty na monitoru vašeho počítače a ukládat snímky na pevném disku.

Tento návod obsahuje podrobné informace o konstrukci a provozních principech vašeho nového mikroskopu, včetně kapitoly týkající se odstraňování závad, péče a údržby. Důrazně vám doporučujeme, abyste si tento návod přečetli ještě před prvním použitím mikroskopu. Životnost svého mikroskopu prodloužíte na maximum dodržováním následujících pokynů:

- Tento přístroj byl navržen pro náročná pozorování různých biologických preparátů. Neměl by se používat k žádnému jinému účelu.
- Nepokoušejte se tento mikroskop rozebírat, mohli byste poškodit složitý optický systém uvnitř. Pokud kapitola zabývající se odstraňováním závad v tomto návodu neobsahuje řešení vašeho problému, obraťte se na své místní servisní středisko Levenhuk.
- Před otevřením stativu nebo výměnou žárovky osvětlení vždy mikroskop odpojte od zdroje napájení. Bez ohledu na typ žárovky (halogenová nebo obyčejná) ji nechejte před výměnou nějakou dobu vychladnout a vždy ji vyměňujte za žárovku stejného typu. Mikroskop nepoužívejte v blízkosti hořlavých materiálů nebo látek (benzín, papír, lepenka, plast apod.), neboť by se mohly při práci zahřívat, a představovat tak požární riziko.
- Vždy používejte napájení o správném napětí tak, jak je uvedeno ve specifikacích vašeho nového mikroskopu. Připojení přístroje do odlišné zásuvky může vést k poškození elektronických obvodů mikroskopu, spálení žárovky nebo dokonce ke vzniku zkratu.
- Optiky mikroskopu se nedotýkejte svými prsty, neboť otisky prstů a šmouhy výrazně snižují kvalitu obrazu.
- Tyto mikroskopy pracují nejlépe za následujících podmínek: pokojová teplota mezi 0 °C a 40 °C, relativní vlhkost do 85%. Vysoké teploty a vlhkost mohou způsobit zamřzení čoček zevnitř, a tím i poškození optického systému.
- Každý mikroskop je velmi choulostivý přístroj, a je proto nutné s ním zacházet s náležitou péčí. K jeho poškození může dojít i po lehkém nárazu.

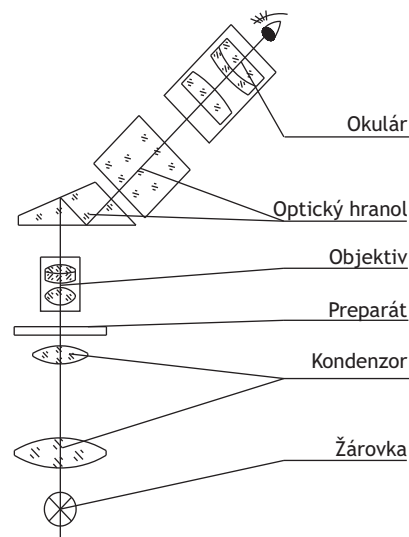
Princip činnosti

Světlo vydávané žárovkou prochází kondenzorem a osvětluje preparát. Obraz je zvětšen objektivem, odráží se v hranolu a nakonec ještě jednou zvětšen okulárem.

Celkové zvětšení = (zvětšení objektivu) x (zvětšení okuláru)

Souprava těchto mikroskopů obsahuje dva okuláry WF10x se širokým zorným polem:

Zvětšení	10
Zorné pole	18 mm
Pracovní vzdálenost	24,95 mm



Objektivy

Standardní sada těchto mikroskopů obsahuje následující achromatické objektivy dle standardu DIN: 4x, 10x, 40x (odpružené) a 100x (odpružené, imerze v oleji). Při použití objektivu 100x by čočka i krycí skličko pozorovaného preparátu měly být ponořeny do transparentního oleje s vysokým indexem lomu. Ten vytlačí vzduch, a tím zvýší kvalitu obrazu. Pokud se stále objevují vzduchové bubliny, budete zřejmě muset jednou otočit revolverovým nosičem objektivů nebo přidat více imerzního oleje. Po skončení pozorování při vysokém zvětšení je potřeba čočku objektivu a krycí skličko do sucha otřít. Jinak olej zaschne a způsobí snížení kvality obrazu při dalším pozorování.

Achromatický objektiv dle standardu DIN	4X	10X	40X	100X
Zvětšení	4	10	40	100
Apertura	0,10 mm	0,25 mm	0,65 mm	1,25 mm
Pracovní vzdálenost	36,9 mm	7,116 mm	0,632 mm	0,158 mm
Poznámky			Odpružení	Odpružení, imerzní olej

Binokulární hlavice

Binokulární (Levenhuk 850B) nebo trinokulární (Levenhuk 870T, D870T) hlavici tohoto mikroskopu lze naklonit v úhlu 30° a otočit o 360 stupňů. Vzdálenost mezi tubusy lze nastavit v rozsahu 55-75 mm, rozsah dioptrické korekce je od +5 to -5 dioptrií na každém okuláru.

Revolverový nosič objektivů

Tento moderní nosič nabízí možnost plynulého otáčení a snadno se nastavuje poloha požadovaného objektivu. Parfokální objektivy používané u těchto mikroskopů nabízejí snadný přechod od jednoho zvětšení k jinému, aniž by bylo potřeba znovu zaostřovat obraz.

Pracovní stolek

Tyto mikroskopy jsou vybaveny stolem 140 mm x 155 mm s koaxiálními regulátory nastavení. Stiskněte páčku svorky stolku a na stolec položte sklíčko s preparátem. Páčku uvolněte a nechte ji zajet do správné polohy. Stolkem můžete pohybovat v horizontálním směru pomocí koaxiálních regulátorů pod stolem. Rozsah pohybu stolku je 70 mm v krocích po 0,1 mm.

Abbeův kondenzor

Numerická apertura (N.A.) tohoto vysoce kvalitního kondenzoru je 1,25 mm. Jeho polohu lze nastavit otáčením stavěcích šroubů, aniž by byly potřeba jakékoli další nástroje:

- pootočením revolverového nosiče nastavte objektiv 4x nebo 10x;
- pootočením irisové clony zmenšíte její průměr;
- kondenzor spouštějte dolů, dokud nebude obraz clony částečně ostrý;
- utažením nebo povolením pojistných šroubů zaostřete obraz.

Kondenzor byl ve výrobě seřízen vůči čočce objektivu. Kdyby toto seřízení nebylo provedeno, bylo by zorné pole silně nepravidelné a střídaly by se v něm velmi jasné oblasti s velmi tmavými. Hřebenový převod pohybuje kondenzorem nahoru a dolů v rozsahu 20 mm. Obecně budete kondenzor potřebovat zvednout při použití objektivů s vysokým zvětšením (40x, 100x) a spustit dolů při použití objektivů s nízkým zvětšením (4x, 10x). Nejvyšší poloha kondenzoru je zafixována na 0,2 mm od pracovního stolku.

Pokud došlo k narušení seřízení kondenzoru a objektivu, musíte provést následující činnosti: uvolněte matici na pojistném šroubu;

- na pracovní stolec umístěte sklíčko s preparátem;
- kondenzor zvedněte do nejvyšší polohy;
- pojistný šroub utahujte, dokud se kondenzor nedotkne spodní strany pracovního stolku;
- znovu utáhněte matici na pojistném šroubu.

Otáčením nastavte irisovou clonu na průměr v rozsahu 2-30 mm tak, aby byla v souladu s N.A. použitého objektivu. Jakmile je průměr clony zhruba na úrovni 70-80% N.A. objektivu, je pozorovaný obraz ostrý a jasný. Vyjměte jeden z okulárů a podívejte se do tubusu. Uvidíte irisovou clonu. Pro vyšší kontrast a detailnější prokreslení obrazu můžete použít barevný filtr s clonou. Tyto filtry se dodávají v modré, zelené nebo žluté barvě.

Systém zaostřování

Systémy hrubého a jemného zaostřování jsou založeny na hřebenovém mechanismu. Koaxiální konstrukce systému zaostřování vám umožňuje provést bez jakýchkoli problémů hrubé i jemné zaostření. Systém jemného zaostřování provádí regulaci v krocích po 0,002 mm, celkový rozsah nastavení je 25 mm. K rychlému zvednutí nebo spuštění stolku můžete použít makrošroub a obraz následně přesně doostřit pomocí mikrošroubu.

Po přesunutí stolku do požadované polohy jej můžete zafixovat pomocí aretačního šroubu stolku. Zafixování stolku ve stávající poloze provedete otočením tohoto šroubu ve směru hodinových ručiček. V této poloze stolec zůstane, dokud aretační šroub neuvolníte. Při pozorování velkého a těžkého preparátu může být potřeba zvýšit mechanické napětí na makrošroubu. Otočte kroužkem regulace mechanického napětí na zaostřovacím šroubu a stolec se bude i s těžkými preparáty pohybovat pomalu a plynule.

Osvětlení

V osvětlovacím systému mikroskopu se obecně používá halogenová žárovka 6V/20W. Pomocí příslušného šroubu lze regulovat její jas tak, aby byl pozorovaný preparát co nejlépe osvětlen. Při použití slabších objektivů by osvětlení mělo být tlumenější a opačně. Při výměně žárovky za novou se ujistěte, zda je seřízena podle optické osy, jinak by mohlo dojít k výraznému snížení kvality obrazu.

Při výměně staré žárovky nejprve uvolněte šroub na stativu, pak sejměte kryt a vyměňte žárovku.

Montáž

Svůj nový mikroskop velmi opatrně vybalte. Zkontrolujte, zda balení obsahuje všechny díly a příslušenství. Vezměte na vědomí, že některé součásti mohly být v zájmu snadnější přepravy demontovány, proto je budete muset před zahájením svých pozorování sestavit.

- Montáž binokulární hlavičky. Uvolněte pojistný šroub a z ramene sejměte plastový kryt. Z binokulární hlavičky sejměte plastový kryt. Binokulární hlavičku připevněte k rameni a zajistěte ji na místě pojistným šroubem. Nepokoušejte se uvolnit dva zbývající šrouby na rameni.
- Montáž objektivu. Objektivy obvykle sestavujeme ve výrobě, ale u některých modelů se dodávají samostatně. Nejprve z revolverového nosiče sejměte prachovku a vyjměte objektiv z obalu. Objektivy nasazujte na nosič v pořadí od nejmenšího k nejvyššímu zvětšení.
- Montáž okulárů. Z tubusu sejměte prachovku a nasad'te okuláry.

Práce s mikroskopem

- Zvolte si místo, na němž nebude mikroskop vystaven přímému slunečnímu záření. Snažte se co nejvíce vzdálit od oken a nenatáčejte okuláry směrem k oknům. Přímé sluneční světlo může poškodit optiku a snížit kontrast obrazu.
- Na pracovní stůl položte sklíčko s preparátem a upevněte je na místě. Ujistěte se, zda je krycí sklíčko nahoře, jinak byste mohli mít problémy se zaostřením při vyšším zvětšení (40x nebo 100x).
- Použijte slabší objektiv (4x nebo 10x) a zapněte osvětlení.
- Pomocí koaxiálních regulátorů pohybu pracovního stolku přesuňte preparát do správné polohy tak, aby byl preparát vycentrován nad čočkou kondenzoru.
- Makrošroubem zaostřete obraz. Při menším zvětšení lze obraz zaostřit daleko snadněji, takže pokud následně použijete silnější objektiv, bude k jemnému zaostření stačit použít mikrošroub.
- Teď, když je obraz zaostřen, pootočením revolverového nosiče nastavte objektiv o vysokém zvětšení. Díky parfokálním čočkám použitým v těchto mikroskopech bude k zaostření obrazu nyní stačit mikrošroub. Díky zabudovaným omezovačům se objektivy 4x a 10x nikdy nedotknou povrchu krycího sklíčka preparátu. Objektivy 40x a 100x se sice mohou povrchu krycího sklíčka preparátu dotknout, díky odpružené konstrukci je ale nikdy nepoškodí.
- Nedaří-li se vám obraz zaostřit, můžete se pokusit změnit průměr irisové clony tak, aby odpovídala hodnotě N.A. použitého objektivu.

Odstraňování závad

Jestliže během práce s tímto přístrojem zaznamenáte nějaké problémy, pokuste se najít jejich řešení v této kapitole. Pokud se to ale nepodaří, měli byste se obrátit na místní servisní středisko. Mějte na paměti, že se nemáte pokoušet mikroskop rozebírat, neboť by tím pozbyla platnost vaše záruka a mohlo by to vést k nevratnému poškození choulstivého optického systému tohoto přístroje.

Problémy s mikroskopem:

Problém	Příčina	Řešení
Obraz nelze zaostřit	Pracovní stůl je příliš nízko	Pomocí makrošroubu stůl zvedněte
Objektiv často poškozuje sklíčka	Pracovní stůl je příliš vysoko	Pomocí mikrošroubu spusťte stůl dolů
Při použití silných objektiv nelze obraz zaostřit	Preparát je možná vzhůru nohama nebo je krycí sklíčko příliš tlusté	Uložte preparát správně nebo zvolte standardní krycí sklíčko (tloušťky 0,17 mm)
Při otáčení revolverového nosiče objektivu vždy poškrábou povrch	Krycí sklíčko je příliš tlusté	Zvolte standardní krycí sklíčko (tloušťky 0,17 mm)
Preparátem nelze plynule pohybovat	Svorky stolku nejsou zajištěny	Svorky zajistěte manuálně
Neúplné binokulární vidění	Nesprávná vzdálenost tubusů:	Upravte vzdálenost mezi tubusy
	Neúplná dioptrická korekce	Upravte nastavení dioptrické korekce
	Nedostatečný jas	Zkontrolujte zdroj osvětlení a upravte jas

Problémy s optickým systémem:

Problém	Příčina	Solution
Zorné pole není úplně nebo není plně osvětlené	Objektiv není na svém místě	Pootočte revolverový nosič, dokud požadovaný objektiv nezapadne na své místo
	Optická osa není správně seřizena	Upravte polohu žárovky osvětlení
	Optika objektivu je znečištěna nebo zaprášená	Vyčistěte čočku objektivu
V zorném poli jsou prachové tečky	Optika objektivu je znečištěna nebo zaprášená	Vyčistěte čočku objektivu
	Povrch sklíčka preparátu je zaprášený nebo znečištěný	Sklíčko vyčistěte
	Čočka kondenzoru je příliš nízko	Zvedněte kondenzor nahoru
Spatná kvalita obrazu: snížený kontrast, rozmazané detaily atd.	Preparát není chráněn krycím sklíčkem	Položte přes preparát krycí sklíčko
	Krycí sklíčko je příliš tlusté nebo příliš tenké	Zvolte standardní krycí sklíčko (tloušťky 0,17 mm)
	Preparát je uložen vzhůru nohama	Položte preparát do správné polohy
	Horní čočka objektivu je znečištěná	Čočku vyčistěte
	Optika objektivu je znečištěna	Vyčistěte objektiv

Spatná kvalita obrazu: snížený kontrast, rozmazané detaily atd.	Při vysokém zvětšení nebyl použit imerzní olej	Přidejte imerzní olej
	V imerzním oleji jsou vzduchové bubliny	Otočte revolvingový nosič nebo přidejte trochu oleje
	Použití imerzního oleje s nízkým indexem lomu	Použijte předepsaný imerzní olej s vysokým indexem lomu
	Povrch hranol je znečištěný	Vyčistěte hranol
	Průměr irisové clony je příliš široký nebo příliš malý	Upravte průměr
	Čočka kondenzoru je příliš nízká	Zvedněte kondenzor nahoru
Jedna strana zorného pole je tmavší než druhá	Kondenzor je v nesprávné poloze nebo je nakloněný.	Upravte polohu kondenzoru
	Objektiv není seřízen vůči optické ose	Pootočte revolverovou hlavici, dokud objektiv nezapadne na své místo
Obraz se při pozorování neustále posouvá	Preparát není na stolku dobře upevněn	Preparát upevněte pomocí svorek na stolku
	Objektiv není seřízen vůči optické ose	Pootočte revolverovou hlavici, dokud objektiv nezapadne na své místo
Pozorovaný obraz je žlutý	Není nasazen modrý filtr	Použijte modrý filtr
Zorné pole je příliš tmavé	Průměr irisové clony je příliš malý	Upravte průměr
	Kondenzor je příliš nízká	Zvedněte kondenzor nahoru
	Optika objektivu je znečištěna	Vyčistěte objektiv

Problémy související s elektrickými součástmi:

Problém	Příčina	Řešení
Osvětlení nefunguje, i když je zapnuté	Napájecí kabel je odpojený	Check the power cable
	Není instalována žárovka	Install the lamp
	Je spálená pojistka	Replace the lamp or the fuse
Žárovka se rychle spálí	Je použita nesprávná žárovka	Použijte standardní žárovku
Osvětlení je příliš tlumené	Je použita nesprávná žárovka	Použijte standardní žárovku
	Napětí napájecího zdroje je příliš nízké	Upravte napájecí zdroj
Žárovka neustále bliká, jas kolísá	Napěťové rázy	Ke stabilizaci napájení použijte UPS
	Vlákno je těsně před přepálením	Vyměňte žárovku
	Napájecí kabel je odpojený	Zkontrolujte napájecí kabel

Péče a údržba

Mikroskop vybalujte velmi opatrně a dbejte na to, aby nic neupadlo na podlahu;

Veškerá optika se kalibruje ve výrobě, nepokoušejte se ji sami rozebírat;

Binokulární hlavice a systém zaostřování jsou velmi přesné součásti a nemají se rozebírat. Máte-li s nimi nějaké problémy, obraťte se na naše lokální středisko;

Veškeré mechanické součásti se musí chránit před prachem; veškeré mechanismy by se měly pravidelně mazat; veškeré optické prvky je potřeba udržovat v čistotě;

Svůj mikroskop ukládejte na čistém, suchém místě. Po skončení pozorování nasadte prachovku a přístroj odpojte od zdroje napájení.

Digitální fotoaparát

Levenhuk D870T je vybaven digitálním fotoaparátem C800 NG 8 Mpx.

Tento fotoaparát vám umožňuje na monitoru vašeho počítače pozorovat jemné detaily preparátů ve skutečných barvách a snímky ukládat na pevném disku.

Speciální softwarová aplikace, která je součástí soupravy, vám umožní prohlížet si a upravovat výsledné snímky.

Podporované formáty jsou: *.bmp, *.jpg, *.jpeg, *.png, *.tif, *.tiff, *.gif, *.psd, *.ico, *.emf, *.wmf atd.

Pomocí kabelu USB, který zároveň slouží jako napájecí kabel, připojte fotoaparát k počítači. To znamená, že fotoaparát nebudete muset připojovat k napájecímu zdroji.

Kompatibilní operační systémy: C800 NG - Windows XP/Vista/7/8.

Model fotoaparátu	C800 NG
Max. rozlišení (fotografie)	3264x2448
Rozlišení v megapixelech	8.0
Snímač	1/2.2° CMOS
Rozměry (maximální průměr válce), mm	50
Velikost pixelu	1,67µm x 1,67µm
Citlivost, V/lux-sec při 550 nm	0,31
Montážní místo	Tubus okuláru (nahrazuje okulár)

Formát souboru	BMP, TIFF, JPG, PICT, SFTL atd.
Průměr zorného pole	18 mm
Spektrální rozsah	400 nm - 650 nm
Expozice	ERS
Vyvážení bílé	Auto/manuální
Nastavení expozice	Auto/manuální
Řízení obrazu	Ovládání velikosti, jasu a expozice snímku
Rozhraní	USB 2,0, 480 Mb/s
Systémové požadavky	Windows XP/Vista/7/8; USB port
Software	Software pro prohlížení a úpravy obrazů
Pouzdro	Kovový válec, natřený černě
Napájení	Kabel USB 2.0
Teplotní rozsah	-30 - 70 °C

Obecně platí, že při použití slabších objektivů (4x, 10x) bude obraz na monitoru počítače příliš jasný. V tom případě můžete:

- omezit jas osvětlení;
- zmenšit průměr irisové clony;
- spustit Abbeův kondenzor dolů.

Při použití silných objektivů (40x, 100x) bude obraz na monitoru počítače příliš tmavý. V tom případě můžete:

- zvýšit jas osvětlení;
- zvětšit průměr irisové clony;
- zvednout Abbeův kondenzor nahoru.

Upozornění:

Nikdy se přes fotoaparát ani mikroskop nedívejte do jasných světelných zdrojů nebo laserů: dojde k TRVALÉMU POŠKOZENÍ SÍTNICE a může dojít i k OSLEPNUTÍ!

Nerozebírejte vlastními silami mikroskop ani fotoaparát.

Mikroskop i fotoaparát chraňte před kondenzací a nepoužívejte je za deštivého počasí.

Chraňte mikroskop i fotoaparát před otřesy a nadměrným tlakem.

Neutahujte šrouby konstrukce příliš silně.

Mikroskop i fotoaparát chraňte před agresivním prostředím; neumistujte je v blízkosti topení (i v autě), žárovkových svítidel nebo otevřeného ohně.

Při čištění jakýchkoliv optických prvků nejprve sfoukněte prach nebo jiné částičky z jejich povrchu nebo je odstraňte měkkým kartáčkem. Poté čočky otřete měkkým, čistým hadříkem navlhčeným v lihu nebo éteru.

Nikdy se nedotýkejte optických elementů prsty.

Mezinárodní záruka

- Prodávající poskytuje záruku toho, že kvalita zakoupeného výrobku společnosti Levenhuk odpovídá požadavkům technické dokumentace, a to pod podmínkou, že spotřebitel dodrží pokyny pro přepravu a skladování výrobku a návod k použití.
- Společnost Levenhuk Ltd. ručí za to, že se v záruční době na výrobku nevyskytnou vady materiálu.
- Během záruční doby může kupující vadný výrobek předat prodejci nebo servisnímu středisku společnosti Levenhuk. Společnost Levenhuk podle vlastního uvážení vadný produkt buď zdarma opraví, nebo vymění.
- Záruka může být uznána pouze tehdy, pokud vadný výrobek předkládá kupující spolu s řádně vyplněným záručním listem, v němž nebyly prováděny žádné opravy. Výrobce nebo prodejce neodpovídá za škody způsobené nevhodným zacházením s výrobkem. Záruku nelze poskytnout, pokud byl výrobek použit k jiným než stanoveným účelům, pokud vykazuje známky mechanického poškození, je poškrábaný, prasklý, má poškozenou optiku, pokud byl poškozen v důsledku nárazu, stlačení nebo natažení nebo pokud byl rozebírán či opravován neoprávněnou osobou.
- Tato záruka se nevztahuje na komponenty a/nebo příslušenství s omezenou dobou použitelnosti, baterie atd.

Záruční doba je 3 (tři) roky ode dne prodeje. Záruční list uschovejte spolu s dokladem o koupi.

S veškerými požadavky na záruční servis se obraťte na místní pobočku společnosti Levenhuk.

Levenhuk ve světě:

USA: www.levenhuk.com

Česká republika: www.levenhuk.cz

Rusko: www.levenhuk.ru

Ukrajina: www.levenhuk.com.ua

EU: www.levenhuk.eu

Datum prodeje _____ Podpis _____ Razítko _____

Niemals mit dem Instrument oder mit ungeschützten Augen direkt in die Sonne blicken.
ERBLINDUNGSGEFAHR!

Allgemeine Informationen

Diese Mikroskope sind Hochpräzisionsinstrumente, die bei klinischen Studien und in der universitären Forschung, in Laboratorien und Krankenhäusern, Technologiezentren und Forschungsinstituten eingesetzt werden können. Auch bei medizinischen Studien in der Biologie, Bakteriologie, Zytologie und Pharmakologie bieten sie gute Leistungen. Die Modelle Levenhuk 850B und 870T können mit Ergänzungszubehör zur Mikrofotografie benutzt werden. Im Lieferumfang des Levenhuk D870T befindet sich bereits eine digitale Okularkamera, mit der Sie Proben auf einem PC-Monitor betrachten und Bilder auf der Festplatte abspeichern können.

Diese Bedienungseinleitung enthält detaillierte Informationen über Konstruktion und Funktionsweise Ihres neuen Mikroskops und einen Abschnitt über Problembewegung, Pflege und Wartung. Lesen Sie unbedingt diese Bedienungsanleitung, bevor Sie das Mikroskop erstmalig einsetzen. Die Einhaltung der folgenden Anweisungen bietet die Gewähr für eine größtmögliche Lebensdauer Ihres Mikroskops:

- Dieses Instrument wurde für die Beobachtung unterschiedlicher biologischer Proben bei hohen Vergrößerungsstärken konstruiert. Es sollte für keine anderen Zwecke benutzt werden.
- Nehmen Sie das Mikroskop nicht eigenmächtig auseinander, da das komplizierte optische System in seinem Inneren leicht Schaden nehmen kann. Falls der Abschnitt über Problembewegung dieser Anleitung keine Lösung für Ihr Problem enthält, wenden Sie sich an das nächstliegende Levenhuk-Servicezentrum.
- Trennen Sie das Mikroskop immer vom Strom, bevor Sie den Sockel öffnen oder die Beleuchtungslampe austauschen.
- Lassen Sie sowohl Glühlampen als auch Halogenlampen zunächst abkühlen, bevor Sie sie austauschen, und ersetzen Sie sie stets durch Lampen desselben Typs. Setzen Sie das Mikroskop nach Möglichkeit nicht in der Nähe brennbarer Materialien oder Substanzen (Benzen, Papier, Karton, Plastik usw.) ein, da sich der Sockel bei der Verwendung erhitzen kann und dies bei Anwesenheit brennbarer Stoffen ein Brandrisiko darstellt.
- Verwenden Sie stets eine Stromquelle mit der in den technischen Angaben zu Ihrem Mikroskop spezifizierten Spannung. Wird das Instrument an eine Steckdose mit abweichender Spannung angeschlossen, ist mit Beschädigung der elektrischen Schaltkreise des Mikroskops, Durchbrennen der Lampe und Kurzschlüssen zu rechnen.
- Berühren Sie die Optik des Mikroskops nie mit den Fingern. Fingerabdrücke und Schmierer reduzieren die Bildqualität erheblich.
- Die Mikroskope arbeiten am besten unter folgenden Bedingungen: Zimmertemperatur zwischen 0 °C und 40 °C, relative Luftfeuchtigkeit max. 85 %. Hohe Temperaturen und Feuchtigkeit können zu einem Beschlagen der Linsen von innen führen und dadurch das optische System beschädigen.
- Mikroskope sind sehr empfindliche Instrumente. Behandeln Sie das Mikroskop sorgsam. Selbst kleinste Stöße können Schäden verursachen.

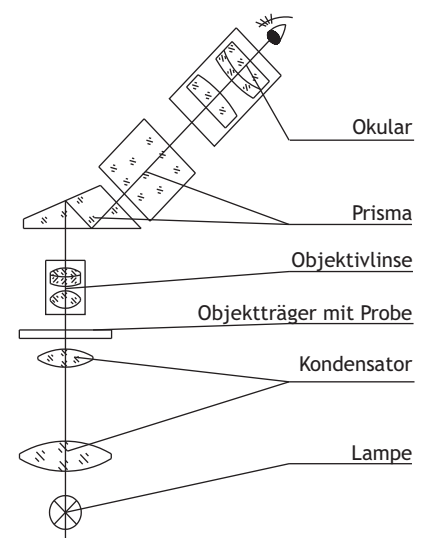
Funktionsweise

Das von einer Lampe ausgesendete Licht durchläuft den Kondensator und fällt auf eine Probe. Das Bild wird von der Objektivlinse vergrößert, vom Prisma gebrochen und dann erneut vom Okular vergrößert.

Gesamte Vergrößerung = (Vergrößerung der Objektivlinse) · (Vergrößerung des Okulars).

Im Lieferumfang dieser Mikroskope befinden sich zwei Weitfeldokulare WF10x:

Vergrößerung	10
Sichtfeld	18 mm
Arbeitsabstand	24,95 mm



Objektivlinsen

10x, 40x (mit Feder) und 100x (mit Feder, Ölimmersion). Bei Verwendung der 100x-Objektivlinse müssen Linse und Deckglas der beobachteten Probe mit einem transparenten Öl mit hohem Brechungsindex immigriert werden. Das Öl verdrängt die Luft und erhöht dadurch die Bildqualität. Falls Luftblasen zurückbleiben, müssen Sie ggf. den Objektivrevolver einmal drehen oder mehr Immersionsöl zugeben. Wischen Sie nach jeder Beobachtung mit hoher Vergrößerung die Objektivlinse und das Deckglas sauber. Andernfalls trocknet das Öl an, was die Bildqualität bei späteren Beobachtungen reduziert.

Achromatische DIN-Objektivlinse	4X	10X	40X	100X
Vergrößerung	4	10	40	100
Blende	0,10 mm	0,25 mm	0,65 mm	1,25 mm
Arbeitsabstand	36,9 mm	7,116 mm	0,632 mm	0,158 mm
Bemerkungen			mit Feder	mit Feder, Ölimmersion

Binokularkopf

Der Binokularkopf (Levenhuk 850B) bzw. Trinokularkopf (Levenhuk 870T, D870T) dieser Mikroskope kann um 30° geneigt und um 360° gedreht werden. Der Augenabstand kann zwischen 55 und 75 mm angepasst werden; der Dioptrien-Einstellbereich reicht an beiden Okularen von +5 bis -5 Dioptrien.

Objektivrevolver

Der moderne Objektivrevolver lässt sich leichtgängig drehen und rastet einfach bei der gewünschten Objektivlinse ein. Die parfokalen Objektivlinsen dieser Mikroskope ermöglichen ein einfaches Wechseln von einer Vergrößerung zur nächsten, ohne dass das Bild jedes Mal neu fokussiert werden muss.

Objekttisch

Die Mikroskope sind mit einem 140 mm x 155 mm großen Objekttisch mit gleichachsiger Regelung ausgestattet. Drücken Sie auf den Objektklammerarm und platzieren Sie einen Objektträger mit einer Probe auf dem Objekttisch. Geben Sie den Arm frei. Der Objektträger wird sicher fixiert. Sie können den Objekttisch mit der gleichachsigen Regelung unterhalb des Objekttischs horizontal bewegen. Er bewegt sich in 0,1-mm-Schritten in einem Bereich von 70 mm.

Abbe-Kondensator

Die numerische Apertur (N.A.) dieses hochwertigen Kondensators beträgt 1,25. Seine Position kann ohne Werkzeugeinsatz durch Drehen der Verriegelungsschrauben angepasst werden:

- Objektivrevolver drehen, bis entweder eine 4x-Objektivlinse oder eine 10x-Objektivlinse einrastet.
- Irisblende drehen, um ihren Durchmesser zu verringern.
- Kondensator absenken, bis das Blendenbild mehr oder weniger scharf ist.
- Bild durch Anziehen oder Lockern der Verriegelungsschrauben scharfstellen.

Der Kondensator wurde werkseitig an der Objektivlinse ausgerichtet. Ohne diese Ausrichtung ist das Sichtfeld sehr unregelmäßig; einige Teile sind sehr hell und andere sehr dunkel. Der Kondensator lässt sich mit dem Zahnstangentrieb innerhalb eines Bereichs von 20 mm nach oben und unten bewegen. Im Allgemeinen muss der Kondensator bei Verwendung starker Objektivlinsen (40x, 100x) angehoben und bei Verwendung schwacher Objektivlinsen (4x, 10x) abgesenkt werden. Die höchste Position des Kondensators ist 0,2 mm vom Objekttisch entfernt und kann nicht verändert werden.

Bei mangelhafter Ausrichtung von Kondensator und Objektivlinse führen Sie folgende Schritte aus:

- Mutter an Verriegelungsschraube lösen.
- Objektträger mit Probe auf Objekttisch platzieren.
- Kondensator in höchste Stellung anheben.
- Verriegelungsschraube anziehen, bis der Kondensator die Unterseite des Objekttischs berührt.
- Mutter an Verriegelungsschraube wieder anziehen.

Durch Drehen der Irisblende können Sie den Irisblendendurchmesser in einem Bereich von 2 bis 30 mm an die numerische Apertur der eingesetzten Objektivlinse anpassen. Das beobachtete Bild wird hell und scharf, wenn der Blendendurchmesser ca. 70 bis 80 % der numerischen Apertur der Objektivlinse beträgt. Nehmen Sie eines der Okulare ab und schauen Sie durch den Tubus. Sie sehen die Irisblende. Durch Verwendung eines Farbfilters mit der Blende erzielen Sie zusätzlichen Kontrast und Detailreichtum. Filter sind in blau, grün und gelb erhältlich

Fokussiersystem

Das Grob- und das Feinfokussiersystem werden mit einem Zahnstangentrieb gesteuert. Die gleichachsige Konstruktion des Fokussiersystems erlaubt ein problemloses Anpassen von Grob- und Feinfokus. Das Feinfokussiersystem nimmt innerhalb eines Bereichs von 25 mm Anpassungen in Schritten von 0,002 mm vor. Verwenden Sie den Grobfokussierknopf, um den Objekttisch schnell anzuheben oder abzusenken, und stellen Sie dann das Bild mit dem Feinfokussierknopf scharf.

Nachdem Sie den Objekttisch in die gewünschte Position bewegt haben, können Sie ihn mit der Objekttisch-Verriegelungsschraube arretieren. Drehen Sie die Schraube im Uhrzeigersinn, um den Objekttisch in seiner aktuellen Position zu arretieren. Er verbleibt in dieser Position, bis Sie die Verriegelungsschraube wieder lösen. Bei Beobachtung einer großen und schweren Probe müssen Sie ggf. die Spannung des Grobfokussierknopfes erhöhen. Drehen Sie dazu den Fokussierungsring am Fokussierknopf, und der Objekttisch wird auch bei schweren Proben langsam und gleichmäßig abgesenkt.

Beleuchtung

Im Allgemeinen kommt im Beleuchtungssystem eines Mikroskops eine 6-V-/20-W-Halogenlampe zum Einsatz. Verwenden Sie den Helligkeitsregler, um die beobachtete Probe optimal auszuleuchten. Bei schwachen Objektivlinsen darf die Beleuchtung nicht zu hell sein, und umgekehrt.

Achten Sie beim Lampenwechsel darauf, die neue Lampe an der optischen Achse auszurichten. Andernfalls leidet die Bildqualität deutlich.

Zum Wechseln der Lampe lösen Sie die Schraube auf der Unterseite des Sockels, nehmen die Abdeckung ab und ersetzen die Lampe.

Montage

Packen Sie das neue Mikroskop mit großer Sorgfalt aus. Überprüfen Sie den Lieferumfang auf Vollständigkeit. Einige Teile wurden möglicherweise für den Versand demontiert, daher müssen Sie sie montieren, bevor Sie Beobachtungen mit dem Mikroskop durchführen können.

- Montieren Sie den Binokularkopf. Lösen Sie die Verriegelungsschraube und nehmen Sie die Plastikabdeckung des Stativarms ab. Nehmen Sie die Plastikabdeckung des Binokularkopfes ab. Befestigen Sie den Binokularkopf am Stativarm und arretieren Sie ihn mit einer Verriegelungsschraube. Versuchen Sie nicht, die anderen beiden Schrauben am Stativarm zu lösen!
- Montieren Sie die Objektivlinsen. Normalerweise werden die Objektivlinsen werkseitig montiert; bei einigen Modellen werden sie allerdings separat ausgeliefert. Nehmen Sie zunächst die Staubschutzkappe vom Revolver ab und entnehmen Sie die Objektivlinsen aus ihrer Verpackung. Bringen Sie die Objektivlinsen in aufsteigender Reihenfolge (von der niedrigsten zur größten Vergrößerung) am Objektivrevolver an.
- Montieren Sie die Okulare. Nehmen Sie die Staubschutzkappe vom Tubus ab und bringen Sie die Okulare an.

Arbeiten mit dem Mikroskop

- Wählen Sie einen Aufstellungsort, an dem das Objekt keinem direkten Sonnenlicht ausgesetzt ist. Halten Sie größtmöglichen Abstand zu Fenstern und richten Sie die Okulare nicht auf Fenster. Direkter Einfall von Sonnenlicht kann die Optik beschädigen und den Bildkontrast verringern.
- Platzieren Sie einen Objektträger mit einer Probe auf dem Objektstisch und fixieren Sie ihn. Vergewissern Sie sich davon, dass das Deckglas nach oben weist; andernfalls kann es zu Problemen beim Fokussieren bei höheren Vergrößerungen (40x oder 100x) kommen.
- Verwenden Sie eine schwache Objektivlinse (4x oder 10x) und schalten Sie die Beleuchtung ein.
- Richten Sie den Objektträger mit dem gleichachsigen Objektstischtrieb so aus, dass die Probe über der Kondensatorlinse zentriert ist.
Stellen Sie das Bild mit dem Grobfokussierknopf scharf. Fokussieren Sie zunächst bei geringer Vergrößerung. Die Fokussierung gelingt hier einfacher, und wenn Sie anschließend eine starke Objektivlinse wählen, müssen Sie die Scharfstellung nur noch mit dem Feinfokussierknopf nachjustieren.
- Nachdem das Bild nun scharfgestellt ist, drehen Sie den Objektivrevolver auf eine leistungsstarke Objektivlinse. Da das Mikroskop über parfokale Linsen verfügt, müssen Sie den Fokus anschließend nur noch mit dem Feinfokussierknopf nachjustieren. Die 4x- und 10x-Objektivlinsen können aufgrund eingebauter Sicherungen die Oberfläche des Objektträgers nicht berühren. Die 40x- und 100x-Linsen können zwar bis zum Objektträger gelangen, ihre Federkonstruktion sorgt jedoch dafür, dass sie ihn nicht zerbrechen.
- Falls die Fokussierung nicht gelingt, überprüfen Sie den Durchmesser der Irisblende und passen Sie ihn an die numerische Apertur der eingesetzten Objektivlinse an.

Problembhebung

In diesem Abschnitt finden Sie mögliche Lösungen für Probleme, die an Ihrem Instrument während seiner Nutzungsdauer auftreten können. Falls keine dieser Lösungen hilft, wenden Sie sich an das nächstliegende Servicezentrum. Nehmen Sie das Mikroskop nicht eigenmächtig auseinander, da dies zum Erlöschen Ihrer Garantie führt und irreversible Schäden an dem empfindlichen optischen System des Instruments entstehen können.

Probleme mit dem Mikroskop:

Problem	Ursachen	Lösung
Scharfstellen gelingt nicht	Objektstisch zu niedrig	Objektstisch mit Grobfokussierknopf anheben
Objektivlinse beschädigt häufig Objektträger	Objektstisch zu hoch	Objektstisch mit Feinfokussierknopf absenken
Scharfstellen gelingt nicht bei Verwendung starker Objektivlinsen	Objektträger verkehrt herum eingelegt oder Deckglas zu dick	Objektträger korrekt einlegen oder Standard- Deckglas (Dicke: 0,17 mm) wählen
Objektivlinsen kratzen beim Drehen des Objektivrevolvers über die Oberfläche	Deckglas zu dick	Standard-Deckglas wählen (Dicke: 0,17 mm)
Objektträger lässt sich nicht leichtgängig bewegen	Objektklammern nicht verriegelt	Objektklammern manuell verriegeln
Eingeschränkte Sicht mit beiden Augen	Falscher Augenabstand	Augenabstand anpassen
	Falsche Dioptrieneinstellung	Dioptrieneinstellungen nachjustieren
	Unzureichende Helligkeit	Beleuchtungsquelle prüfen und Helligkeit anpassen

Probleme mit dem optischen System:

Problem	Ursachen	Lösung
Sichtfeld eingeschränkt oder nicht vollständig ausgeleuchtet	Objektivlinse nicht eingerastet	Objektivrevolver drehen bis gewünschte Objektivlinse einrastet
	Nicht an optischer Achse ausgerichtet	Beleuchtungslampe nachjustieren
	Objektivlinsenoptik verschmutzt/verstaubt	Objektivlinse reinigen
Staubflecken im Sichtfeld	Objektivlinsenoptik verstaubt/verschmutzt	Objektivlinse reinigen
	Objektträgeroberfläche verstaubt/verschmutzt	Objektträger reinigen
	Kondensatorlinse zu tief	Kondensatorlinse anheben
Schlechte Bildqualität: geringer Kontrast, verschwommene Details usw.	Probe nicht mit Deckglas abgedeckt	Deckglas auf Probe legen
	Deckglas zu dick oder zu dünn	Standard-Deckglas wählen (Dicke: 0,17 mm)
	Objektträger falsch herum eingelegt	Objektträger richtig einlegen
	Obere Linse der Objektivlinse verschmutzt	Linse reinigen
	Objektivlinsenoptik verschmutzt	Objektivlinse reinigen
	Kein Immersionsöl bei Arbeit bei hohen Auflösungen	Immersionsöl zugeben
	Luftblasen im Immersionsöl	Objektivrevolver drehen oder mehr Öl zugeben
	Niedriger Brechungsindex des eingesetzten Immersionsöls	Erforderliches Immersionsöl mit hohem Brechungsindex verwenden
	Prismaoberfläche verschmutzt	Prisma reinigen
	Öffnungsdurchmesser der Irisblende zu groß oder zu klein	Durchmesser anpassen
Eine Seite des Sichtfelds ist dunkler als die andere	Objektträger nicht auf Objektisch fixiert	Objektivrevolver drehen bis Objektivlinse einrastet
	Objektivlinse nicht an optischer Achse ausgerichtet	Objektträger mit Objektklammern fixieren
Sichtfeld verschiebt sich während der Beobachtung	Objektträger nicht auf Objektisch fixiert	Objektivrevolver drehen bis Objektivlinse einrastet
	Objektivlinse nicht an optischer Achse ausgerichtet	Blaufilter verwenden
Beobachtetes Bild ist gelb	Kein Blaufilter	Blaufilter verwenden
Sichtfeld zu dunkel	Irisblendendurchmesser zu gering	Durchmesser anpassen
	Kondensatorlinse zu tief	Kondensatorlinse anheben
	Objektivlinsenoptik verschmutzt	Objektivlinse reinigen

Probleme mit elektrischen Teilen:

Problem	Ursachen	Lösung
Beleuchtung ist eingeschaltet, aber arbeitet nicht	Stromkabel nicht eingesteckt	Stromkabel überprüfen
	Keine Lampe installiert	Lampe installieren
	Sicherung durchgebrannt	Lampe oder Sicherung wechseln
Lampe brennt schnell	Falsche Lampe	Standardlampe verwenden
Beleuchtung zu dunkel	Falsche Lampe	Standardlampe verwenden
	Spannung zu gering	Stromquelle mit geeigneter Spannung verwenden
Lampe blinkt, un stetige Helligkeit	Stromstöße	Stromversorgung mit USV stabilisieren
	Glühfaden steht kurz vor dem Durchbrennen	Lampe wechseln
	Stromkabel nicht korrekt eingesteckt	Stromkabel überprüfen

Pflege und Wartung

- Packen Sie das Mikroskop sehr sorgfältig aus. Lassen Sie keine Teile fallen.
- Alle optischen Komponenten sind werkseitig kalibriert. Nehmen Sie sie nicht eigenmächtig auseinander.
- Bei dem Binokularkopf und dem Fokussiersystem handelt es sich um hochpräzise Bauteile, die nicht auseinandergenommen werden dürfen. Bei Problemen mit einem dieser Bauteile wenden Sie sich an das nächstliegende Levenhuk-Servicezentrum.
- Schützen Sie alle mechanischen Bauteile vor Staub. Schmieren Sie alle Triebe regelmäßig. Halten Sie alle optischen Bauteile sauber.
- Lagern Sie das Mikroskop an einem sauberen, trockenen Ort. Setzen Sie nach jeder Beobachtung die Staubabdeckung wieder auf und trennen Sie das Instrument vom Netzstrom.

Okular-Digitalkamera

Zum Lieferumfang des Levenhuk D870T gehört eine 8-Megapixel-Digitalkamera des Typs C800 NG. Die Kamera erlaubt die detailreiche Beobachtung von Proben in Echtfarbe auf einem PC-Monitor. Die erhaltenen Bilder können auf der Festplatte abgelegt werden.

Die zum Anzeigen und Bearbeiten der Bilder notwendige Software ist im Lieferumfang enthalten. Sie unterstützt u. a. folgende Dateiformate: *.bmp, *.jpg, *.jpeg, *.png, *.tif, *.tiff, *.gif, *.psd, *.ico, *.emf, *.wmf. Schließen Sie die Kamera per USB-Kabel an den PC an. Das USB-Kabel dient gleichzeitig als Ladekabel, Sie müssen die Kamera also nicht an eine Stromquelle anschließen. Kompatible Betriebssysteme: C800 NG - Windows XP/Vista/7/8.

Kameramodell	C800 NG
Max. Auflösung (für Standbilder)	3264x2448
Megapixel	8.0
Sensor	1/2.2" CMOS
Abmessungen (max. Durchmesser der Zylindereinheit), mm	50
Pixelgröße	1.67µm x 1.67µm
Empfindlichkeit, V/lxs bei 550 nm	0.31
Befestigungsort	Okulartubus (ersetzt das Okular)
Bildformat	BMP, TIFF, JPG, PICT, SFTL etc.
Sichtfeld-Durchmesser	18 mm
Spektralbereich	400 nm - 650 nm
Belichtung	ERS
Weißabgleich	automatisch/manuell
Belichtungssteuerung	automatisch/manuell
Bildsteuerung	Bildgröße, Helligkeit, Belichtungssteuerung
Schnittstelle	USB 2.0, 480 Mb/s
Systemanforderungen	Windows XP/Vista/7/8; USB-Schnittstelle
Software	Bildbetrachtungs- und -bearbeitungssoftware
Gehäuse	Schwarz lackierter Metallzylinder
Stromquelle	USB-2.0-Kabel
Temperaturbereich	-30 bis 70 °C

Das Bild auf dem PC-Monitor ist bei Verwendung einer schwachen Objektivlinse (4x, 10x) in der Regel zu hell. In diesem Falle können Sie:

- die Helligkeit der Beleuchtung reduzieren
- den Durchmesser der Irisblende verringern oder
- die Abbe-Kondensatorlinse absenken

Bei Verwendung einer starken Objektivlinse (40x, 100x) ist das Bild auf dem PC-Monitor möglicherweise zu dunkel. In diesem Falle können Sie:

- die Helligkeit der Beleuchtung steigern
- den Durchmesser der Irisblende vergrößern oder
- die Abbe-Kondensatorlinse anheben

Pflegehinweise

Verwenden Sie das Mikroskop und die Kamera nie, um sich eine helle Lichtquelle oder eine Laserlichtquelle anzusehen - **ERBLINDUNGSGEFAHR!**

Versuchen Sie nie, das Mikroskop und die Kamera selbstständig auseinander zu bauen.

Schützen Sie das Mikroskop und die Kamera vor Nässe, verwenden Sie sie nicht im Regen.

Schützen Sie das Mikroskop und die Kamera vor mechanischen Einwirkungen und Überlastungen, die von anderen Gegenständen ausgehen können.

Wenden Sie keine übermäßige Kraft auf die Feststellschrauben und Fixierungsschrauben an.

Mikroskop und Kamera fern von aggressiven Mitteln, Wärmequellen, eingeschalteten Glühlampen und offenem Feuer aufbewahren.

Bei Verschmutzung der optischen Oberflächen zuerst den Staub wegblasen oder mit weichem Pinsel entfernen, sodann ein weiches sauberes Tuch mit Alkohol oder Äther befeuchten und damit die Oberfläche wischen.

Berühren Sie die optischen Oberflächen nie mit den Fingern.

Internationale Garantie

- Der Hersteller garantiert, dass die Qualität des erworbenen Levenhuk-Produkts den Anforderungen aus der technischen Dokumentation entspricht, sofern der Verbraucher die Transportregeln und Lagerbedingungen einhält und die Bedienungsanleitung befolgt. Levenhuk Ltd. garantiert die Abwesenheit von Materialfehlern am Gerät.
- Während der Garantieperiode kann der Käufer das defekte Produkt an den Händler oder ein Levenhuk-Servicezentrum zurückgeben. Levenhuk Ltd. wird das defekte Produkt nach freiem Ermessen entweder reparieren oder austauschen.
- Garantieansprüche können nur berücksichtigt werden, wenn der Käufer das defekte Produkt vorlegt und einen konkret ausgefüllten, nicht nachträglich korrigierten Garantieschein beilegt. Der Hersteller bzw. Verkäufer haftet nicht für Schäden durch falschen Gebrauch des Produkts. In folgenden Fällen besteht kein Anspruch auf Garantieleistungen: bei nicht bestimmungsgemäßem Gebrauch des Produkts, bei Vorliegen von mechanischen Beschädigungen, Kratzern, Brüchen oder Rissen, bei Beschädigung der Optik, wenn das Produkt durch Stöße oder Schläge, unter Druck oder Dehnung zu Bruch gegangen ist, oder falls das Produkt durch nicht autorisiertes Personal auseinandergebaut oder repariert wurde.
- Diese Garantie erstreckt sich nicht auf Verschleißteile und -zubehör, Batterien usw. Die Garantiefrist beträgt 3 (drei) Jahre ab Kaufdatum. Bewahren Sie den Garantieschein zusammen mit dem Kaufbeleg auf.

In Garantiefragen wenden Sie sich bitte an die nächstliegende Levenhuk-Niederlassung.

Levenhuk weltweit: USA: www.levenhuk.com, Tschechische Republik: www.levenhuk.cz, Russland: www.levenhuk.ru, Ukraine: www.levenhuk.com.ua, EU: www.levenhuk.eu

Kaufdatum _____ Unterschrift _____ Stempel _____

Nigdy nie należy spoglądać bezpośrednio na słońce przez żaden przyrząd optyczny ani gołym okiem! Może to doprowadzić do poważnego uszkodzenia lub do ŚLEPOTY.

Informacje ogólne

Te mikroskopy to wysoce precyzyjne przyrządy, które mogą być używane do potrzeb badań klinicznych i akademickich, w laboratoriach i szpitalach, centrach technologicznych oraz instytutach badawczych. Z powodzeniem mogą być również wykorzystywane do prowadzenia badań z dziedziny biologii, bakteriologii, cytologii oraz farmakologii. Mikroskopy Levenhuk 850B oraz 870T mogą być wykorzystywane w mikrofotografii, jeśli są wyposażone w dodatkowe akcesoria. W skład zestawu Levenhuk D870T wchodzi mikroskopowa kamera cyfrowa, która pozwala na obserwację preparatów na monitorze komputera oraz zapisywanie obrazów na dysku twardym.

Ta instrukcja zawiera szczegółowe informacje na temat budowy oraz zasad działania Twojego nowego mikroskopu, jak również rozwiązywania problemów i konserwacji. Zaleca się przeczytanie tej instrukcji przed pierwszym użyciem mikroskopu. Stosowanie się do instrukcji to gwarancja maksymalnej żywotności mikroskopu:

- Przyrząd został zaprojektowany w celu prowadzenia obserwacji pod dużym powiększeniem różnego typu preparatów biologicznych. Nie powinien być wykorzystywany w żadnym innym celu.
- Nie należy rozkładać mikroskopu na części, ponieważ może to doprowadzić do uszkodzenia wbudowanego układu optycznego. Jeśli wystąpił problem, który nie został opisany w instrukcji, należy się skontaktować z centrum serwisowym Levenhuk.
- Przed otwarciem podstawy lub wymianą żarówki górnej należy zawsze odłączyć mikroskop od źródła zasilania. Bez względu na typ używanej żarówki (halogenowa lub żarowa) przed wymianą należy odczekać, aż jej temperatura spadnie.
- Nowa żarówka powinna być tego samego typu co poprzednio używana. W miarę możliwości należy pracować z mikroskopem z dala od łatwopalnych materiałów i substancji (benzen, papier, tektura, plastik itp.), ponieważ podstawa może się nagrząć, co stwarza ryzyko pożaru.
- Należy zawsze korzystać ze źródła zasilania o odpowiednim napięciu zgodnym ze specyfikacją mikroskopu. Podłączenie przyrządu do źródła zasilania o innym napięciu może doprowadzić do uszkodzenia obwodu elektrycznego, spalenia lampy lub nawet zwarcia.
- Nigdy nie należy dotykać układu optycznego mikroskopu palcami, ponieważ odciski i smugi negatywnie wpływają na jakość obrazu.
- Ten model mikroskopu najlepiej działa w następujących warunkach: temperatura w pomieszczeniu od 0 °C do 40 °C, wilgotność względna nieprzekraczająca 85%. Wysoka temperatura i wilgotność mogą spowodować parowanie soczewek od środka, co prowadzi do uszkodzenia układu optycznego.
- Każdy mikroskop to bardzo delikatny przyrząd, z którym należy się obchodzić ostrożnie. Jest podatny nawet na najmniejsze uderzenie.

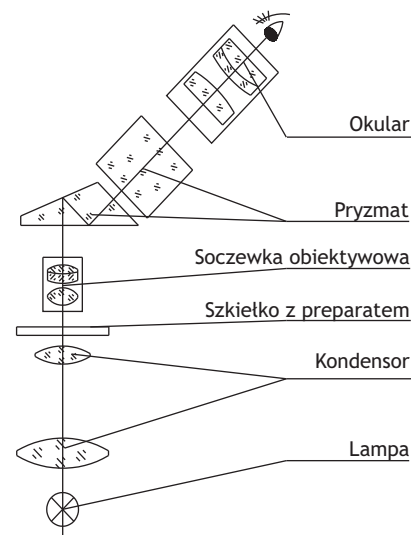
Zasada działania

Światło emitowane przez żarówkę przechodzi przez kondensator i oświetla preparat. Obraz zostaje powiększony przez soczewkę obiektywową, załamany przez pryzmat i ponownie powiększony przez okular.

Łączne powiększenie = (powiększenie soczewki obiektywowej) x (powiększenie okularu).

W zestawie znajdują się dwa okulary WF10x o szerokim polu widzenia.

Powiększenie	10
Pole widzenia	18 mm
Odległość robocza	24,95 mm



Soczewki obiektywowe

W skład standardowego zestawu wchodzi następujące achromatyczne soczewki obiektywowe typu DIN: 4x, 10x, 40x (amortyzowana) oraz 100x (amortyzowana, immersyjna). W przypadku soczewki o powiększeniu 100x należy wypełnić przestrzeń pomiędzy soczewką a szkiełkiem nakrywkowym preparatu przezroczystym olejkim o wysokim współczynniku załamania światła. Dzięki temu powietrze zostaje wyparte i obraz ma lepszą jakość. Jeśli pęcherzyki powietrza będą wciąż obecne, można wykonać jednokrotny obrót miską rewolwerową lub dodać olejku immersyjnego. Po zakończeniu obserwacji prowadzonej pod dużym powiększeniem należy przetrzeć soczewkę obiektywową oraz szkiełko nakrywkowe. W przeciwnym razie olejek wyschnie, co negatywnie wpłynie na jakość kolejnych obserwacji.

Achromatyczne soczewki obiektywowe typu DIN	4X	10X	40X	100X
Powiększenie	4	10	40	100
Apertura	0,10 mm	0,25 mm	0,65 mm	1,25 mm
Odległość robocza	36,9 mm	7,116 mm	0,632 mm	0,158 mm
Uwagi			Amortyzowana	Amortyzowana, olejek immersyjny

Głowica dwuokularowa

Głowice dwuokularowa (Levenhuk 850B) oraz trójokularowa (Levenhuk 870T, D870T) mogą zostać ustawione pod kątem 30°, a ich zakres obrotu wynosi 360 stopni. Zakres rozstawu okularów wynosi 55-75 mm, zakres regulacji dioptrii wynosi od +5 do -5 dioptrii dla każdego okularu.

Miska rewolwerowa

Nowoczesna miska rewolwerowa zapewnia płynną rotację i z łatwością blokuje się na wybranej soczewce. Parafokalne soczewki obiektywowe zastosowane w mikroskopach umożliwiają płynną zmianę powiększenia bez potrzeby każdorazowego ustawiania ostrości.

Stolik

Mikroskopy są wyposażone w stolik o wymiarach 140 mm na 155 mm z możliwością regulacji w pionie. Naciśnij dźwignię zacisku i umieść szkiełko z preparatem na stoliku. Po opuszczeniu dźwigni preparat zostanie bezpiecznie zablokowany. Można przesunąć stolik poziomo, używając pokręteł regulacji znajdujących się pod nim. Zakres ruchu wynosi 70 mm, a skok 0,1 mm.

Kondensator Abbego

Apertura numeryczna (N.A.) tego wysokiej jakości kondensora wynosi 1,25. Aby ustawić pozycję kondensora, wystarczy obracać śrubami blokującymi:

- obracaj miskę rewolwerową do momentu zablokowania się soczewki obiektywowej 4x lub 10x;
- obracaj przystonę irysową, aby zmniejszyć jej średnicę;
- obniżaj kondensator, aż obraz w przystonie stanie się ostry;
- wyostrz obraz, luzując lub dokręcając śruby blokujące.

Kondensator jest fabrycznie zestrojony z soczewką obiektywową. Jeśli zestawienie nie zostało przeprowadzone, pole widzenia będzie bardzo nieregularne - niektóre obszary będą bardzo jasne, a inne bardzo ciemne. Mechanizm zębatkowy unosi kondensator w górę i w dół w zakresie 20 mm. Zazwyczaj kondensator jest unoszony podczas obserwacji przy dużym powiększeniu (40x, 100x) i obniżany przy niskim powiększeniu (4x, 10x). Najwyższa pozycja kondensora to 0,2 mm od stolika.

Jeśli kondensator jest nieprawidłowo zestrojony z soczewkami obiektywowymi, należy wykonać poniższe czynności:

- poluzuj nakrętkę śruby blokującej;
- umieść szkiełko z preparatem na stoliku;
- ustaw kondensator w najwyższej pozycji;
- dokręcaj śrubę blokującą do momentu aż kondensator dotknie dolnej części stolika; dokręć nakrętkę śruby blokującej.

Należy obrócić przystonę irysową i dostosować jej średnicę w zakresie od 2 do 30 mm, tak aby odpowiadała aperturze numerycznej aktualnie używanej soczewki obiektywowej. Gdy średnica przystony jest równa około 70-80% apertury soczewki, obraz jest ostry i wyraźny. Zdejmij jeden z okularów i spójrz przez tubę. Zobaczysz przystonę irysową. Możesz użyć kolorowego filtra przystony dla uzyskania większego kontrastu i szczegółowości obrazu. Dostępne kolory filtrów to niebieski, zielony i żółty.

Układ regulacji ostrości

Układy precyzyjnej i zgrubnej regulacji ostrości są sterowane za pomocą mechanizmu zębatkowego. System regulacji pionowej pozwala na łatwe ustawienie układu zgrubnej i precyzyjnej regulacji ostrości. Zakres regulacji układu do regulacji precyzyjnej wynosi 25 mm co 0,002 mm. Możesz użyć pokrętła regulacji zgrubnej, aby szybko podnieść lub opuścić stolik, a następnie wyostrzyć obraz za pomocą pokrętła regulacji precyzyjnej.

Po ustawieniu stolika w żądanej pozycji można go zabezpieczyć za pomocą śrub blokujących. Obróć je zgodnie z ruchem wskazówek zegara, aby unieruchomić stolik. Pozostanie w tej pozycji aż do momentu poluzowania śruby blokującej. W przypadku dużych preparatów o większej masie można zwiększyć napięcie pokręteł precyzyjnej i mechanizmu zgrubnej regulacji ostrości. Gdy zaczniesz obracać pierścień regulacji napięcia przy pokrętle regulacji precyzyjnej, stolik zacznie się powoli, równomiernie opuszczać, nawet przy zwiększonej masie aparatu.

Oświetlenie

Zazwyczaj system oświetlenia mikroskopu stanowi lampa halogenowa 6 V/20 W. Aby ustawić jasność, obróć odpowiednie pokrętło, żeby lepiej doświetlić oglądany preparat. Oświetlenie nie powinno być zbyt mocne w przypadku soczewek o mniejszym stopniu powiększenia i odwrotnie. Podczas wymiany żarówki należy się upewnić, że jest ona ustawiona w osi optycznej. W przeciwnym razie jakość obrazu ulegnie pogorszeniu.

Aby wymienić żarówkę, należy poluzować śrubę w dolnej części podstawy mikroskopu, zdjąć pokrywę, a następnie założyć nową żarówkę.

Montaż

Bardzo ostrożnie wyjmij mikroskop z pudełka. Sprawdź, czy w opakowaniu znajdują się wszystkie części i akcesoria. Niektóre elementy mogły zostać zdemontowane, aby łatwiej je było przetransportować, i trzeba je będzie złożyć przed rozpoczęciem pracy.

- Montaż głowicy dwuokularowej. Poluzuj śrubę blokującą i usuń z ramienia folię zabezpieczającą. Usuń folię z głowicy dwuokularowej. Zamocuj głowicę dwuokularową na ramieniu i zabezpiecz ją za pomocą śruby blokującej. Nie luzuj dwóch innych śrub znajdujących się na ramieniu.
- Montaż soczewek obiektywowych. Zazwyczaj soczewki obiektywowe są montowane w trakcie produkcji, jednak w przypadku niektórych modeli są one dostarczane osobno. Zdejmij osłonę przeciwkurzową z miski rewolwerowej i wyjmij soczewki obiektywowe z opakowania. Zamontuj soczewki w misce w kolejności rosnącej (od najmniejszego stopnia powiększenia do największego).
- Montaż okularów. Zdejmij osłonę przeciwkurzową z tuby i zamontuj okulary.

Użytkowanie mikroskopu

- Ustaw mikroskop w miejscu, gdzie nie będzie on bezpośrednio narażony na działanie promieni słonecznych. Mikroskop powinien stać jak najdalej od okna, a okulary nie mogą być skierowane w jego stronę. Bezpośrednie działanie promieni słonecznych może spowodować uszkodzenie układu optycznego oraz zmniejszyć kontrast obrazu.
- Umieść szkiełko z preparatem na stoliku i zamocuj za pomocą zacisków. Upewnij się, że szkiełko nakrywkowe jest skierowane do góry. W przeciwnym razie mogą wystąpić problemy z ustawianiem ostrości przy większym powiększeniu (40x lub 100x).
- Użyj soczewki o dużym powiększeniu (4x lub 10x) i włącz lampę.
- Użyj pokrętła regulacji stolika w pionie i umieść preparat tak, aby znajdował się centralnie nad soczewką kondensora. Ustaw ostrość za pomocą pokrętła regulacji zgrubnej. Ustawienie ostrości jest łatwiejsze przy mniejszym stopniu powiększenia. Podczas pracy przy dużym powiększeniu wystarczy już tylko ustawić ostrość za pomocą pokrętła regulacji precyzyjnej.
- Gdy ostrość została już ustawiona, obróć miskę rewolwerową, aby wybrać soczewkę o większym powiększeniu. Dzięki zastosowaniu parafokalnych soczewek wystarczy użyć pokrętła regulacji precyzyjnej, aby wyostrzyć obraz. Warto zauważyć, że soczewki obiektywowe 4x oraz 10x nigdy nie dotkną powierzchni szkiełka, ponieważ posiadają wbudowane ograniczniki. Nawet jeśli soczewka 40x lub 100x dotknie szkiełka, zastosowany system amortyzacji zapobiegnie jego uszkodzeniu.
- Jeśli nie można wyostrzyć obrazu, być może trzeba będzie zmienić wartość przystony irysowej, tak aby odpowiadała aperturze numerycznej zastosowanej soczewki obiektywowej.

Rozwiązywanie problemów

Jeśli praca z mikroskopem sprawia problemy, przeczytaj poniższy rozdział, aby znaleźć możliwe rozwiązanie. Jeśli nie uda się rozwiązać problemu, skontaktuj się z miejscowym centrum serwisowym. Pamiętaj, aby nie rozkładać mikroskopu na części, ponieważ może to doprowadzić do nieodwracalnego uszkodzenia wbudowanego układu optycznego oraz utraty gwarancji.

Problemy z mikroskopem:

Problem	Przyczyny	Rozwiązanie
Nie można wyostrzyć obrazu.	Stolik jest ustawiony zbyt nisko.	Unieś stolik, obracając pokrętło regulacji zgrubnej.
Soczewka obiektywowa często uszkadza szkiełko.	Stolik jest ustawiony zbyt wysoko.	Opuść stolik, obracając pokrętło regulacji precyzyjnej.
Nie można wyostrzyć obrazu podczas pracy z soczewkami o dużym stopniu powiększenia.	Szkiełko jest umieszczone w odwrotnym położeniu lub szkiełko nakrywkowe jest zbyt grube.	Umieść szkiełko we właściwej pozycji lub użyj szkiełka nakrywkowego standardowej grubości (0,17 mm).
Podczas obracania miski rewolwerowej soczewki zawsze rysują powierzchnię.	Zbyt grube szkiełko nakrywkowe.	Użyj szkiełka standardowej grubości (0,17 mm).
Nie można płynnie przesunąć szkiełka.	Zaciski stolika nie zostały zablokowane.	Zablokuj zaciski ręcznie.

Obraz w okularze jest niepełny.	Nieprawidłowy rozstaw okularów.	Wyreguluj rozstaw okularów.
	Dioptrie nie są właściwie wyregulowane.	Wyreguluj dioptrie ponownie.
	Niewystarczająca jasność.	Sprawdź źródło oświetlenia i ponownie ustaw jasność.

Problemy z układem optycznym:

Problem	Przyczyny	Rozwiązanie
Pole widzenia jest ograniczone lub nie jest w pełni oświetlone.	Soczewka obiektywowa nie blokuje się.	Obracaj miskę rewolwerową do momentu zablokowania się wybranej soczewki obiektywowej.
	Oś optyczna nie jest ustawiona.	Wyreguluj lampę oświetleniową.
	Układ optyczny soczewki obiektywowej jest brudny lub zakurzony.	Wyczyść soczewkę.
W polu widzenia znajdują się drobiny kurzu.	Układ optyczny soczewki obiektywowej jest zakurzony lub brudny.	Wyczyść soczewkę.
	Powierzchnia szkiełka jest brudna lub zakurzona.	Wyczyść szkiełko.
	Soczewka kondensora jest ustawiona zbyt nisko.	Unieś soczewkę kondensora.
Niska jakość obrazu: niski kontrast, niewyraźne szczegóły itd.	Preparat nie został nakryty szkiełkiem.	Umieść szkiełko nakrywkowe na preparacie.
	Szkiełko nakrywkowe jest za cienkie lub za grube.	Użyj szkiełka standardowej grubości (0,17 mm).
	Szkiełko jest ułożone w odwrotnym położeniu.	Umieść szkiełko prawidłowo.
	Górna soczewka obiektywu jest brudna.	Wyczyść soczewkę.
	Układ optyczny soczewki obiektywowej jest zabrudzony.	Wyczyść soczewkę.
	Podczas obserwacji przy dużym powiększeniu nie użyto olejku immersyjnego.	Użyj olejku immersyjnego.
	W olejku znajdują się pęcherzyki powietrza.	Obracaj miskę rewolwerową lub dodaj olejku.
	Użycie olejku immersyjnego o niskim współczynniku załamania światła.	Użyj wymaganego olejku immersyjnego o wysokim współczynniku załamania światła.
	Powierzchnia pryzmatu jest zabrudzona.	Wyczyść pryzmat.
	Za małą lub za dużą średnicę przystony irysowej	Wyreguluj średnicę.
Część pola widzenia jest ciemniejsza.	Soczewka kondensora została nieprawidłowo zamocowana lub jest ustawiona pod kątem.	Wyreguluj soczewkę kondensora.
	Soczewka obiektywowa nie jest wyrównana z osią optyczną.	Obracaj miskę rewolwerową do momentu zablokowania się wybranej soczewki obiektywowej.
Podczas obserwacji obraz jest niestabilny.	Szkiełko nie zostało zablokowane na stoliku.	Zablokuj szkiełko za pomocą zacisków.
	Soczewka obiektywowa nie jest wyrównana z osią optyczną.	Obracaj miskę rewolwerową do momentu zablokowania się wybranej soczewki obiektywowej.
Obraz jest żółty.	Nie użyto niebieskiego filtra.	Użyj niebieskiego filtra.
Pole widzenia jest zbyt ciemne.	Za małą średnicę przystony irysowej	Wyreguluj średnicę.
	Soczewka kondensora jest ustawiona zbyt nisko.	Unieś soczewkę kondensora.
	Układ optyczny soczewki obiektywowej jest zabrudzony.	Wyczyść soczewkę.

Problemy z elementami elektrycznymi:

Problem	Przyczyny	Rozwiązanie
Oświetlenie nie działa, mimo że jest włączone.	Kabel zasilający nie jest podłączony.	Sprawdź kabel zasilający.
	Żarówka nie została zamontowana.	Zamontuj żarówkę.
	Bezpiecznik się przepalił.	Wymień żarówkę lub bezpiecznik.
Żarówka przepala się zbyt szybko.	Używana jest niewłaściwa żarówka.	Użyj standardowej żarówki.
Oświetlenie jest za ciemne.	Używana jest niewłaściwa żarówka.	Użyj standardowej żarówki.
	Napięcie źródła zasilania jest za niskie.	Użyj źródła zasilania o odpowiednim napięciu
Żarówka miga, poziom jasności się zmienia.	Przepięcia	Użyj zasilacza UPS, aby zapewnić stabilne źródło zasilania.
	Żamik żarówki łączy się zbyt często.	Wymień żarówkę.
	Kabel zasilający nie jest podłączony.	Sprawdź kabel zasilający.

Konserwacja i pielęgnacja

- Bardzo ostrożnie wyjmij mikroskop z pudełka i uważaj, żeby żaden element nie spadł.
- Układ optyczny jest kalibrowany fabrycznie, nie próbuj rozkładać go na części.
- Głowica dwuokularowa oraz układ regulacji ostrości to bardzo precyzyjne elementy i nie powinno się ich rozierać na części. Jeśli któryś z nich nie funkcjonuje prawidłowo, skontaktuj się z naszym miejscowym centrum serwisowym.
- Wszystkie elementy mechaniczne należy chronić przed zakurzeniem i regularnie smarować. Wszystkie elementy optyczne powinny być regularnie czyszczone.
- Mikroskop powinien być przechowywany w czystym, suchym miejscu. Po zakończeniu obserwacji należy założyć osłonę przeciwkurzową oraz odłączyć źródło zasilania.

Kamera cyfrowa

Mikroskop Levenhuk D870T jest wyposażony w kamerę cyfrową C800 NG z 8-megapikselową matrycą.

Cechy

Kamera ta pozwala na obserwację preparatów z precyzyjną ostrością, w 24-bitowej głębi kolorów na monitorze komputera.

Obrazy można zapisać na dysku twardym.

Dzięki specjalnemu oprogramowaniu znajdującemu się w zestawie możesz przeglądać i edytować obserwowane obrazy.

Obsługiwane formaty plików: *.bmp, *.jpg, *.jpeg, *.png, *.tif, *.tiff, *.gif, *.psd, *.ico, *.emf, *.wmf itp.

Podłącz kamerę do komputera za pomocą kabla USB. Działa on również jako kabel zasilający, więc nie trzeba podłączać źródła zasilania.

Model kamery	C800 NG
Maks. rozdzielczość (dla nieruchomych obrazów)	3264x2448
Megapiksele	8.0
Sensor	1/2.2" CMOS
Wymiary (maks. średnica cylindra), mm	50
Rozmiar piksela	1,67µm x 1,67µm
Czułość, V/lx·s przy 550 nm	0.31
Miejsce montażu	Tubus okularu (zamiast okularu)
Format obrazu	BMP, TIFF, JPG, PICT, SFTL itp.
Średnica pola widzenia	18 mm
Zakres widmowy	400 nm - 650 nm
Ekspozycja	ERS
Balans bieli	Automatyczny/ręczny
Kontrola ekspozycji	Automatyczna/ręczna
Kontrola obrazu	Rozmiar obrazu, jasność, ekspozycja
Interfejs	USB 2.0, 480 Mb/s
Wymagania systemowe	Windows XP/Vista/7/8; port USB
Oprogramowanie	Oprogramowanie do przeglądania i edycji obrazów
Obudowa	Czarny, metalowy cylinder
Zasilanie	Kabel USB 2.0
Zakres temperatur	-30 - 70 °C

Używanie soczewki o niskim stopniu powiększenia (4x, 10x) sprawia, że obraz na monitorze komputera jest zazwyczaj zbyt jasny. W tej sytuacji możesz:

- zmniejszyć jasność oświetlenia;
- zmniejszyć średnicę przysłony irysowej;
- obniżyć soczewkę kondensora Abbego.

Używanie soczewki o wysokim stopniu powiększenia (40x, 100x) sprawia, że obraz na monitorze komputera jest zazwyczaj zbyt ciemny. W tej sytuacji możesz:

- zwiększyć jasność oświetlenia;
- zwiększyć średnicę przysłony irysowej;
- unieść soczewkę kondensora Abbego.

Uwaga

Nigdy nie należy przez mikroskop lub kamerę spoglądać w stronę źródła jasnego światła lub lasera: spowoduje to **TRWAŁE USZKODZENIE SIATKÓWKI** i może doprowadzić do **ŚLEPOTY!**

Nie demontować samodzielnie mikroskopu ani kamery.

Chronić mikroskop i kamerę przed kondensacją; nie używać w czasie deszczowej pogody.

Chronić mikroskop i kamerę przed wstrząsami lub nadmiernym naciskiem.

Nie należy dokręcać zbyt mocno śrub blokujących.

Mikroskop i kamerę należy trzymać z dala od nieprzyjaznego środowiska, grzejników domowych i samochodowych, lamp żarowych lub otwartego ognia.

Podczas czyszczenia powierzchni optycznych najpierw zdmuchnąć kurz lub luźne cząsteczki z powierzchni albo usunąć je za pomocą miękkiego pędzelka. Następnie należy przetrzeć soczewkę za pomocą czystej chusteczki lekko zwilżonej alkoholem lub eterem.

Nigdy nie dotykać powierzchni optycznych palcami.

Gwarancja międzynarodowa

- Dostawca gwarantuje, że zakupiony produkt Levenhuk jest wysokiej jakości i odpowiada dokumentacji technicznej pod warunkiem postępowania przez nabywcę zgodnie z wszystkimi wymaganiami dotyczącymi transportu, przechowywania i użytkowania.
- Levenhuk Ltd. gwarantuje, że produkt jest wolny od wad materiałowych.
- W trakcie okresu gwarancyjnego Nabywca ma prawo zwrócić wadliwy produkt Dostawcy lub do centrum serwisowego Levenhuk. Levenhuk Ltd. naprawi lub wymieni wadliwy produkt wedle własnego uznania.
- W przypadku braku poprawnie wypełnionej karty gwarancyjnej lub gdy karta gwarancyjna zawiera poprawki, bądź w przypadku niedostarczenia wadliwego produktu przez Nabywcę reklamacje nie będą uwzględniane. Producent ani sprzedawca nie ponoszą żadnej odpowiedzialności za szkody wynikłe z nieprawidłowego użytkowania produktu. Gwarancja nie obejmuje niezgodnego z przeznaczeniem użytkowania produktu, uszkodzeń mechanicznych, zadrapań, pęknięć, uszkodzeń układu optycznego oraz uszkodzeń powstałych w wyniku uderzenia, zgniecenia lub naprężenia produktu, a także przypadków, gdy produkt był demontowany lub naprawiany przez osoby nieuprawnione.
- Niniejsza gwarancja nie obejmuje podzespołów i/lub akcesoriów o ograniczonym okresie przydatności eksploatacyjnej, np. baterii itd.

Gwarancja udzielana jest na okres 3 (trzech) lat od daty zakupu. Należy zachować kartę gwarancyjną wraz z dowodem zakupu.

Więcej informacji na temat obsługi posprzedażowej można uzyskać, kontaktując się z firmą Levenhuk.

Levenhuk na świecie:

USA: www.levenhuk.com

Czechy: www.levenhuk.cz

Rosja: www.levenhuk.ru

Ukraina: www.levenhuk.com.ua

EU: www.levenhuk.eu

Data zakupu: _____ Podpis: _____ Pieczęć

Не смотрите на Солнце в оптический прибор или невооруженным взглядом! Это может привести к необратимым повреждениям зрения и полной СЛЕПОТЕ.

Общая информация

Микроскоп этой серии – точный прибор, предназначенный для клинических исследований и обучения в медицинских учреждениях, лабораториях, сельскохозяйственных и технологических учреждениях и исследовательских институтах. Он используется в повседневной работе и исследованиях в области биологии, бактериологии, цитологии и фармакологии. При наличии дополнительных аксессуаров модели 850B и 870T можно также использовать для демонстрации, сбора, хранения и анализа микроизображений. В комплект микроскопа D870T входит цифровая камера-окуляр, которая позволит вам изучать препарат на мониторе вашего компьютера, а также сохранять полученные изображения в памяти компьютера.

Данное руководство содержит подробное описание структуры, конфигурации и принципов работы биомикроскопа, а также советы по устранению неисправностей и по обслуживанию микроскопов. Внимательно прочтите инструкцию перед использованием микроскопа. Особенно строго надо следовать следующим указаниям:

- Разрешенное использование: данный микроскоп предназначен только для биологических наблюдений. Не используйте его в других целях.
- Не разбирайте микроскоп, так как вы можете серьезно повредить микроскоп, уменьшить его точность и сократить срок годности. Столкнувшись с какой-либо проблемой, которую вам не решить самостоятельно, обратитесь к нашему представителю в вашем регионе.
- Безопасность. Если надо заменить лампу или открыть основание, убедитесь, что микроскоп отключен от источника питания. Новая лампа должна иметь те же характеристики, что и старая. Если в светильнике используется галогенная лампа или лампа накаливания, основание под источником света может сильно нагреться. Это не страшно, но надо быть осторожным. Уберите от микроскопа горючие материалы (бензин, бумагу, пластик или ткань). При замене галогенной лампы или лампы накаливания подождите, чтобы она как следует остыла, чтобы не обжечься.
- Используйте источник питания с правильным напряжением. Напряжение источника питания должно быть таким, как указано в спецификации микроскопа, иначе можно повредить схему или лампу, а также нарушить безопасность эксплуатации прибора.
- Защита оптических деталей. Никогда не дотрагивайтесь пальцами до оптических поверхностей объективов, окуляров и других оптических деталей. Отпечатки пальцев серьезно снизят качество результатов наблюдения.
- Требования к рабочему пространству: температура в помещении – 0 °С-40 °С, максимальная относительная влажность – 85%. Высокая температура и влажность могут вызвать появление росы и повредить устройство.
- Микроскоп – это точный прибор, с которым следует обращаться аккуратно и бережно. Любое грубое действие или сильная тряска могут повредить его.

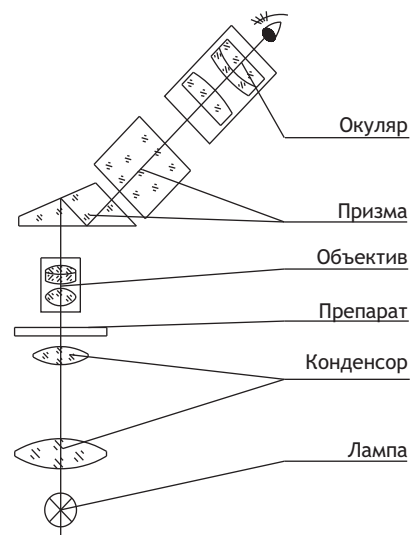
Принцип работы

Лампа используется для освещения. Свет от лампы попадает в конденсор, а затем сходится на препарате. Изображение препарата сначала увеличивается объективом, а затем окуляром. Призма используется для изменения направления света.

Общее увеличение = (увеличение объектива) x (увеличение окуляра).

Микроскоп поставляется с широкоугольными окулярами WF10X:

Увеличение	10
Диаметр поля обзора	18 мм
Рабочее расстояние	24,95 мм



Объективы

Стандартная комплектация системы объективов микроскопа – ахроматические объективы DIN 4X, 10X, 40X, (подпружиненный), 100X (подпружиненный, иммерсионный). Объектив 100X – иммерсионный. При использовании такого объектива между его верхним краем и покровным стеклом следует капнуть немного иммерсионного масла, чтобы пузырьки воздуха вышли. Если в масле остались пузырьки, можно еще раз повернуть насадку или добавить еще немного масла. Завершив наблюдения, сразу же очистите верхнюю часть объектива (100X) и покровное стекло. Иначе высохшие остатки масла ухудшат качество наблюдения в следующий раз.

Ахроматический объектив DIN	4X	10X	40X	100X
Увеличение	4	10	40	100
Апертура	0,10 мм	0,25 мм	0,65 мм	1,25 мм
Рабочее расстояние	36,9 мм	7,116 мм	0,632 мм	0,158 мм
Примечание			Пружина	Пружина, масло

Насадка

Биноккулярную (Levenhuk 850B) и тринокулярную насадку (Levenhuk 870T, D870T) можно наклонять на 30° и поворачивать на 360°. Межзрачковое расстояние регулируется в диапазоне 55-75 мм, а диоптрии – в пределах +-5 диоптрий на одном окуляре.

Револьверная головка

Современная прецизионная конструкция револьверной головки обеспечивает плавное вращение и четкую фиксацию в нужной позиции и отвечает требованиям, предъявляемым к парфокальным и парцентрированным объективам.

Предметный столик

Микроскоп оборудован двухслойным механическим предметным столиком размером 140x155 мм. Нажмите на рычажок зажима в направлении стрелки и аккуратно установите препарат в зажим. Уберите палец от зажима; зажим медленно встанет на место, удерживая препарат. Поворачивая ручки перемещения, можно сместить столик вдоль и поперек на расстояние до 70 мм. Точность перемещения составляет 0,1 мм в обоих направлениях.

Конденсор Аббе

Числовая апертура (N.A.) составляет 1,25". Винт используется для удобной фиксации конденсора безо всяких инструментов. Центрирование конденсора в микроскопе можно отрегулировать без вспомогательных инструментов вращением винтов:

- установите объектив 4X или 10X в рабочее положение;
- поверните пластину, чтобы уменьшить диаметр диафрагмы;
- вращая ручку, опустите конденсор, чтобы изображение диафрагмы стало более четким;
- вращая винты, сфокусируйте изображение диафрагмы в поле зрения окуляра.

На заводе конденсор уже был коаксиально отрегулирован с объективом. Если это не так, поле зрения может быть очень неоднородно: одна часть темная, а другая яркая. При вращении ручки встроенный механизм реечной передачи поднимает или опускает конденсор на расстояние до 20 мм. Обычно следует поднимать конденсор выше, если используются объективы 100X или 40X, и опускать его ниже, если используются объективы 10X или 4X. Максимально высокое положение конденсора ограничено расстоянием 0,2 мм от поверхности предметного столика.

При необходимости заново отрегулировать конденсор выполните следующие действия:

- ослабьте гайку на винте;
- положите срез препарата на предметный столик;
- поднимите конденсор до расстояния 0,2 мм ниже среза;
- вращайте винт, чтобы коснуться нижней поверхности предметного столика; затяните винт гайкой.

Поверните пластину диафрагмы для регулировки диаметра ирисовой диафрагмы от Ø2 до Ø30 мм, чтобы он подходил к числовой апертуре используемого объектива. Когда диаметр ирисовой диафрагмы составляет 70-80% от числовой апертуры объектива, наблюдаемое изображение четкое и контрастное. Взгляните в трубу без окуляра; вы увидите изображение ирисовой диафрагмы. Держатель фильтра можно вывернуть, чтобы вставить нужный фильтр. Фильтры могут быть синего, зеленого или желтого цвета.

Система фокусировки

Данная система представляет собой коаксиальную систему грубой и тонкой фокусировки с механизмом реечной передачи. Коаксиальная система грубой и тонкой фокусировки позволяет вам осуществлять грубую фокусировку и тонкую фокусировку, не изменяя положение рук. Диапазон фокусировки составляет 25 мм, а точность тонкой фокусировки - 0,002 мм. Чтобы быстро опустить или поднять предметный столик, вращайте ручку грубой фокусировки, а чтобы медленно опустить или поднять его - ручку тонкой фокусировки.

Ручка остановки предметного столика предотвращает повреждения объектива и препаратов. Ослабьте ручку в направлении против часовой стрелки и поднимите предметный столик до предела с помощью ручки грубой настройки, затем закрепите ручку остановки предметного столика в направлении по часовой стрелке. Если не ослабить ручку, положение предметного столика не изменится. С помощью ручки регулировки натяжения можно регулировать натяжение ручек грубой фокусировки. Повернув ручку в направлении по часовой стрелке, вы затянете ручки грубой фокусировки и удержите предметный столик от резкого падения вниз под его собственным весом.

Система освещения

Обычно в светильнике микроскопа используется галогенная лампа 6V/20W. Для изменения яркости лампы поверните регулятор так, чтобы отображение было не слишком ярким при использовании маломощных объективов и не слишком слабым при использовании более мощных объективов. Меняя лампу, устанавливайте ее по центру, в противном случае будет нарушена оптическая ось и качество изображения значительно ухудшится.

Чтобы заменить лампу, ослабьте винт на нижней стороне микроскопа и откройте корпус.

Как собрать микроскоп

Аккуратно распакуйте микроскоп и его детали. Сверьте и разложите детали в соответствии с упаковочным листом. Для более удобной пересылки детали и части микроскопа могут быть отсоединены от рамы, поэтому их прежде всего следует собрать:

- Установите бинокулярную/тринокулярную насадку микроскопа. Она обычно лежит отдельно от рамы. Ослабьте винт и снимите пластиковую защиту с консоли. Снимите пластиковую защиту с насадки. Установите насадку на консоль и закрепите ее винтом. Не пытайтесь ослабить два других винта на консоли.
- Установите объективы. Обычно мы сами устанавливаем объективы в насадку. Но иногда они лежат отдельно.
- Отвинтите пластиковую пылезащитную крышку с насадки и выньте объективы из пластиковых поддонов. Навинтите объективы на насадку в порядке возрастания увеличения (от минимального к максимальному).
- Установите окуляр. Снимите с трубы окуляра пластиковую пылезащитную крышку и вставьте нужный окуляр.

Как пользоваться микроскопом

Выберите для работы такое положение, чтобы на микроскоп падало как можно меньше прямого света. Держите микроскоп подальше от больших окон и не направляйте его в сторону окна. Прямой свет может повлиять на контрастность и разрешение изображения.

Вставьте микросрез препарата в зажим. Убедитесь, что покровное стекло находится со стороны объектива. Иначе вы не сможете сфокусировать препарат при использовании более мощного объектива (40X или 100X).

Установите менее мощный объектив (4X или 10X) и просто включите светильник.

Вращая ручки, передвиньте препарат так, чтобы он был центрирован по отношению к конденсору в предметном столике.

Сфокусируйте объектив на препарате, поворачивая ручку грубой фокусировки до тех пор, пока изображение не станет ярким и четким. Используя менее мощный объектив, можно определить плоскость фокусировки и сфокусироваться предварительно, а затем настроить точный фокус с помощью ручки тонкой фокусировки.

Теперь препарат четко сфокусирован. Вращайте насадку по отношению к остальным объективам и фокусируйтесь только с помощью ручки тонкой фокусировки. Так как у этого микроскопа парфокальная и парцентрированная оптика, следует лишь слегка повернуть ручку, чтобы получить яркое и четкое изображение. Важно отметить, что благодаря встроенному ограничителю объективы 4X и 10X никогда не коснутся микросреза препарата. Объективы 40X и 100X могут случайно коснуться его, но не повредят препарат, так как имеют убирающиеся крепления.

Чтобы получить более четкое изображение, можно отрегулировать диаметр ирисовой диафрагмы так, чтобы он соответствовал числовой апертуре используемого объектива.

Устранение неисправностей

Если при работе микроскопа вы столкнулись с неисправностями или другими проблемами, прочтите эту инструкцию и постарайтесь их исправить, прежде чем обращаться к нашему представителю в вашем регионе.

Неисправности в работе микроскопа

Проблема	Причины	Устранение
На препарате не сфокусироваться	Предметный столик опущен слишком низко	Отрегулируйте верхний предел фокусировки
Объектив часто повреждает препарат	Предметный столик поднят слишком высоко	Отрегулируйте верхний предел фокусировки
При использовании мощного объектива не настроить фокус	Препарат закреплен на предметном столике вверх ногами или покровное стекло слишком толстое	Переверните препарат или выберите стандартное покровное стекло (0,17 мм)
При замене объектив всегда касается среза.	Покровное стекло слишком толстое	Выберите стандартное покровное стекло (0,17 мм)
Препарат не передвинуть плавно	Зажим не зафиксирован	Зафиксируйте зажим неподвижно
Неполное бинокулярное зрение	Неправильно отрегулировано межзрачковое расстояние	Отрегулируйте межзрачковое расстояние
	Регулировка диоптрий неполная	Завершите регулировку диоптрий
	Неподходящая яркость	Проверьте светильник и отрегулируйте яркость

Неисправности оптической системы:

Проблема	Причины	Устранение
Поле зрения сокращено или неравномерно освещено	Неправильно установлена насадка	Поверните насадку, чтобы она встала на место со щелчком
	Центр лампы не отрегулирован по оси с центром	Установите лампу правильно
	Стекло поверхности объектива запылено или запачкано	Установите лампу правильно
В поле зрения видны пыль или грязь	Поверхность объектива запылена или запачкана	Установите лампу правильно
	Поверхность препарата запылена или запачкана	Установите лампу правильно
	Конденсор расположен слишком низко	Поднимите конденсор
Плохое качество изображения: недостаточный контраст изображения, деталям не хватает четкости	Срез препарата не защищен покровным стеклом	Накройте срез препарата покровным стеклом
	Покровное стекло слишком толстое или тонкое	Выберите стандартное покровное стекло (0,17
	Препарат закреплен вверх ногами	Переверните препарат
	Верхняя линза объектива грязная	Очистите ее
	Поверхность объектива запылена или запачкана	Удалите пыль и грязь
	Объектив используется без иммерсионного масла	Добавьте иммерсионного масла
	В иммерсионном масле пузырьки воздуха	Выведите их
	Не используется специальное иммерсионное масло	Используйте специальное иммерсионное масло
	Поверхность призм запылена или запачкана	Удалите пыль и грязь
	Диаметр ирисовой диафрагмы слишком велик или мал	Отрегулируйте диаметр ирисовой диафрагмы
Одна сторона поля зрения темная	Конденсор неправильно расположен в потоке света или наклонен	Отрегулируйте конденсор
	Объектив неправильно расположен в потоке света	Поверните насадку, чтобы она встала на место со щелчком
Во время фокусировки изображение сдвигается	Препарат плохо закреплен в зажиме	Закрепите препарат неподвижно
	Объектив неправильно расположен в потоке света	Поверните насадку, чтобы она встала на место со щелчком
Изображение желтое	Не используется синий фильтр	Установите синий фильтр
Поле зрения слишком темное	Поле зрения слишком темное	Отрегулируйте диаметр ирисовой диафрагмы
	Конденсор расположен слишком низко	Поднимите конденсор
	Поверхность объектива запылена или запачкана	Удалите пыль и грязь

Неисправности электросистемы:

Проблема	Причины	Отшел шнур питания
Включенная лампа не горит	Отшел шнур питания	Проверьте шнур питания
	Лампа не вставлена	Вставьте лампу
	Перегорел предохранитель	Замените лампу или предохранитель
Лампа быстро выходит из строя	Лампа не соответствует стандарту	Используйте стандартную лампу
Освещение слишком тусклое	Лампа не соответствует стандарту	Используйте стандартную лампу
	Напряжение в сети слишком слабое	Отрегулируйте напряжение
Лампа мигает, а яркость освещения меняется	Напряжение в сети нестабильно	Используйте стабилизатор напряжения
	Нить накаливания лампы вот-вот перегорит	Замените лампу
	Отшел шнур питания	Проверьте шнур питания

Уход за микроскопом

- Аккуратно распакуйте микроскоп, чтобы объективы не упали и не повредились;
- Все объективы откалиброваны; не пытайтесь разобрать их самостоятельно;
- Насадка и система фокусировки имеют современную прецизионную конструкцию, их не следует разбирать самостоятельно. При необходимости обратитесь к нашему представителю;
- Механические части следует оберегать от пыли, вдвигающиеся детали надо регулярно добавлять некоррозионную смазку. Держите оптические детали в чистоте;
- Храните микроскоп в сухом прохладном месте. После использования микроскопа отключите его от питания и накройте пластиковой пылезащитной крышкой.
- Не трясите микроскоп.

Цифровая камера

Модель Levenhuk D870T комплектуется цифровой камерой C800 NG, разрешающей способностью 8 мегапикселей.

Особенности

Получаемое с помощью камеры изображение может быть передано на экран в реальном цвете и сохранено в памяти компьютера.

В комплект уже входит программа, позволяющая просматривать и редактировать полученное изображение.

Поддерживаемые форматы файлов: *.bmp, *.jpg, *.jpeg, *.png, *.tif, *.tiff, *.gif, *.psd, *.ico, *.emf, *.wmf, и др.

Питание камеры и связь с компьютером осуществляется по USB-кабелю.

Совместимые операционные системы: C800 NG - Windows 2000/XP/Vista/7/8.

Модель камеры	C800 NG
Макс. роздільна здатність (для фотографій)	3264x2448
Мегапикселів	8.0
Давач	1/2,2° КМОП
Розміри (максимальний діаметр циліндра), мм	50
Розмір пікселя	1,67 мкм x 1,67 мкм
Чутливість, В/люкс. сек@550 нм	0,31
Місце монтажу	Труба окуляра (заміняє окуляр)
Формат зображення	BMP, TIFF, JPG, PICT, SFTL, і т. д.
Діаметр поля зору	18 мм
Спектральний діапазон	400 нм - 650 нм
Експозиція	ERS
Баланс білого	Авто/ручний
Управління експозицією	Авто/ручне
Програмне управління зображенням.	Розмір зображення, яскравість, управління експозицією
Інтерфейс	USB 2.0, 480 МБ/с
Вимоги до системи	Windows XP/Vista/7/8; USB-порт
Програмне забезпечення	Програмне забезпечення для перегляду і редагування зображень.
Корпус	Металевий циліндр, пофарбований у чорний колір
Джерело живлення	Кабель USB 2.0
Діапазон температур	-30 - 70 °C

Обычно при использовании маломощного объектива (4X и 10X) изображение на дисплее будет слишком ярким. В этом случае вы можете:

- уменьшить освещение;
- уменьшить диаметр ирисовой диафрагмы;
- опустить конденсор Аббе.

При использовании более мощных объективов (40X и 100X) изображение на дисплее может быть слишком темным. Тогда можно:

- усилить освещение;
- увеличить диаметр ирисовой диафрагмы;
- поднять конденсор Аббе.

Меры предосторожности

Никогда не смотрите в микроскоп или камеру на Солнце, на источник яркого света или лазерного излучения – **ЭТО ОПАСНО ДЛЯ ЗРЕНИЯ!**

Не разбирайте микроскоп и камеру самостоятельно;

Берегите микроскоп и камеру от влаги, не используйте их под дождем;

Берегите микроскоп и камеру от ударов, чрезмерных нагрузок со стороны других предметов;

Не прилагайте излишних усилий к стопорным и фиксирующим винтам;

Храните микроскоп и камеру вдали от агрессивных сред, бытовых и автоотопителей, включенных ламп накаливания и открытого огня.

При загрязнении оптических поверхностей необходимо сначала сдуть пыль и мелкие частицы или смахнуть их мягкой кисточкой, затем протереть мягкой чистой салфеткой, смоченной в спирте или эфире.

Не касайтесь оптических поверхностей пальцами.

Международная гарантия

- Продавец гарантирует соответствие качества приобретенного вами изделия компании Levenhuk требованиям технической документации при соблюдении потребителем условий и правил транспортировки, хранения и эксплуатации изделия.
- Компания Levenhuk гарантирует отсутствие дефектов в материалах конструкции.
- В течение гарантийного периода покупатель может вернуть неисправное изделие продавцу либо в Сервисный центр компании Levenhuk. Компания Levenhuk по своему усмотрению отремонтирует или бесплатно заменит неисправное изделие.
- Претензии по качеству изделия не принимаются при отсутствии правильно оформленного гарантийного талона или при наличии исправлений в нем, а также при непредъявлении данного неисправного изделия. Гарантия не
 - изделие имеет механические повреждения, царапины, сколы, трещины и повреждения оптики;
 - изделие вышло из строя в результате ударов, сжатия, растяжения корпуса;
 - изделие разбиралось или ремонтировалось лицом, не имеющим на то соответствующих полномочий.
- Гарантия не распространяется на комплектующие с ограниченным сроком использования, элементы питания и прочее.

Срок гарантии: 3 (три) года со дня покупки. Храните гарантийный талон вместе с чеком.

По вопросам гарантийного обслуживания вы можете обратиться в ближайшее представительство компании Levenhuk.

Представительства компании Levenhuk:

США: www.levenhuk.com

Чехия: www.levenhuk.cz

Россия: www.levenhuk.ru

Украина: www.levenhuk.com.ua

Европа: www.levenhuk.eu

Дата продажи _____ Подпись _____ Печать _____

Не дивіться на Сонце через оптичний прилад або неозброєним оком! Це може призвести до незворотних пошкоджень зору і до СЛІПОТИ.

Загальна інформація

Ці мікроскопи є високоточними приладами, що можуть використовуватися під час клінічних і університетських досліджень, в лабораторіях та госпіталях, технологічних центрах і дослідницьких інститутах. Також добре себе проявляють в медичних дослідженнях в біології, бактеріології, цитології та фармакології. Levenhuk 850B і 870T з додатковими аксесуарами можуть використовуватися для мікрофотографії. Комплект Levenhuk D870T вже містить цифрову камеру для окуляра, що дозволяє спостерігати зразки на дисплеї комп'ютера та зберігати зображення на жорсткий диск.

Цей посібник містить детальну інформацію щодо конструкції та принципів роботи мікроскопа, а також розділ про вирішення проблем, догляд і підтримку. Настійно рекомендуємо прочитати цей посібник до того, як вперше використати мікроскоп. Дотримання наступних інструкцій забезпечить максимальний строк служби вашого мікроскопа:

- Цей прилад призначений для високопотужних спостережень біологічних зразків. Він не повинен використовуватися для інших цілей.
- Не намагайтеся розібрати мікроскоп на частини, оскільки можете зруйнувати складну внутрішню оптичну систему. Якщо розділ про вирішення проблем не містить рішення вашого питання, зв'яжіться з місцевим сервісним центром Levenhuk.
- Завжди відключайте мікроскоп від джерела живлення перед відкриттям основи або перед зміною освітлювальної лампи. Незалежно від типу лампи (галогенна або розжарювання), зачекайте, доки лампочка охолоне перед її заміною, і завжди використовуйте на заміну лампу такого ж типу. Використовуючи мікроскоп, намагайтеся не використовувати його біля займистих матеріалів або речовин (бензол, папір, картон, пластик, і т. д.), оскільки основа може нагріватися під час використання, що може стати причиною пожежі.
- Завжди використовуйте живлення з відповідною напругою, тобто вказаною у характеристиках вашого нового мікроскопа. Включення приладу в іншу розетку живлення може пошкодити електричну схему мікроскопа, спалити лампу, або навіть спричинити коротке замикання.
- Ніколи не торкайтеся пальцями оптики мікроскопа, оскільки відбитки пальців та плями значно знизять якість ваших видів.
- Дані мікроскопи працюють найкраще в наступних умовах: кімнатна температура від 0°С до 40°С, відносна вологість не повинна перевищувати 85%. Високі температури і вологість можуть спричинити запотівання зсередини, таким чином шкодячи оптичній системі.
- Кожен мікроскоп - дуже витончений прилад, тому з ним слід поводитися з обережністю. Навіть легкий удар може його пошкодити.

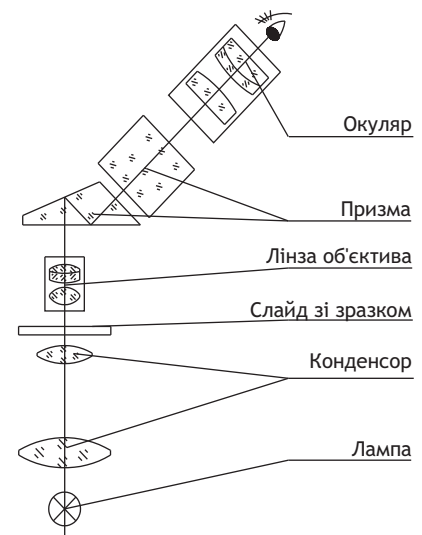
Принцип роботи

Світло, що випромінюється з лампи, проходить через конденсор і освітлює зразок. Зображення збільшується лінзою об'єктива, заломлюється призмою, після чого знову збільшується окуляром.

Загальне збільшення = (збільшення лінзи об'єктива) x (збільшення окуляра).

Комплект даних мікроскопів включає два окуляра WF10x з широким полем зору:

Збільшення	10
Поле зору	18 мм
Робоча відстань	24,95 мм



Лінзи об'єктива

Стандартний комплект даних мікроскопів включає наступні ахроматичні лінзи об'єктива DIN: 4x, 10x, 40x (підпружинений) і 100x (підпружинений, імерсійне занурення). При використанні лінзи об'єктива 100x лінза і верхнє скло зразка, що спостерігається, повинні занурюватися в прозору оливу з високим коефіцієнтом заломлення. Це видаляє повітря і, в результаті, збільшує якість ваших видів. Якщо все ще присутні якісь повітряні бульбашки, можна повернути один раз обертальну насадку або додати трохи більше імерсійної оливи. Після закінчення високопотужних спостережень, потрібно протерти начисто лінзу об'єктива і верхнє скло. Інакше олива висохне і знизить якість наступних видів.

Ахроматична лінза об'єктива DIN	4X	10X	40X	100X
Збільшення	4	10	40	100
Апертура	0,10 мм	0,25 мм	0,65 мм	1,25 мм
Робоча відстань	36,9 мм	7,116 мм	0,632 мм	0,158 мм
Коментарі			Підпружинена	Підпружинена, імерсійне занурення

Бінокулярна голівка

Бінокулярна (Levenhuk 850B) або тринокулярна (Levenhuk 870T, D870T) голівка даних мікроскопів може бути нахилена під кутом 30° та повертатися на 360 градусів. Діапазон налаштування міжзінничної відстані рівний 55-75 мм, діапазон налаштування діоптрій знаходиться в межах від +5 до -5 діоптрій на кожному окулярі.

Обертальна насадку

Ця надсучасна насадка дозволяє плавно і легко змінювати фіксувати на місці лінзи об'єктива. Парфокальні лінзи об'єктива, що використовуються в цих мікроскопах, забезпечуються просте перемикання від одного збільшення до іншого без потреби перефокусування вид знову і знову.

Столик

Дані мікроскопи обладнані столиком розміром 140 мм x 155 мм з коаксіальним управлінням. Натисніть важіль столикового затискача і встановіть слайд із зразком на столик. Відпустіть важіль і він надійно зафіксує слайд на місці. Столик можна переміщати горизонтально за допомогою коаксіального управління, розташованого під столиком. Переміщення відбуваються в межах діапазону 70 мм з кроком 0,1 мм.

Конденсор Аббе

Числова апертура (N.A.) цього високоякісного конденсора рівна 1,25. Його положення можна налаштувати за допомогою блокувальних гвинтів, без жодних додаткових інструментів:

- обертайте обертальну насадку, доки лінза об'єктива 4x або 10x не зафіксується на місці;
- обертайте діафрагму отвору для зменшення його діаметра;
- понижуйте конденсор, доки зображення діафрагми не стане достатньо різким;
- сфокусуйте вид, послабивши або затягнувши блокувальні гвинти.

Конденсор вирівняний з лінзою об'єктива на виробництві. Якщо такого вирівнювання не виконувалось, поле зору буде нерівномірним, частинами - світле, частинами - темне. Механізм кремальєри переміщає конденсор вгору і вниз в діапазоні 20 мм. Загалом, потрібно піднімати конденсор при використанні високопотужних лінз об'єктива (40x, 100x) та опускати для низькопотужних лінз об'єктива (4x, 10x). Найвище положення конденсора фіксується на відстані 0,2 мм від столика.

Якщо вирівнювання конденсор-лінза об'єктива пройшло якимось криво, потрібно провести наступні операції:

- послабити гайку на блокувальному гвинті;
- розмістити на столику слайд із зразком;
- підняти конденсор на найвище положення;
- затягнути блокувальний гвинт, доки конденсор не доторкнеться низу столика;
- повторно затягнути гайку на блокувальному гвинті;

Обертайте діафрагму отвору, щоб налаштувати її діаметр в діапазоні 2-30 мм таким чином, щоб він відповідав N.A. лінзи об'єктива, яка зараз задіяна. Коли діаметр має приблизно 70-80% N.A. лінзи об'єктива, зображення, що спостерігається, стає чітким і яскравим. Видаліть один з окулярів і подивіться через трубу. Ви побачите діафрагму отвору. Можна використовувати кольоровий фільтр з діафрагмою для додаткового контрасту та деталізації на зображенні. Фільтри доступні в синьому, зеленому або жовтому кольорі.

Фокусна система

Системи грубого і точного фокусування працюють з механізмом кремальєри. Коаксіальний дизайн фокусної системи дозволяє налаштувати грубий і точний фокус без жодних складнощів. Система точного фокусування налаштовує з кроком 0,002 мм, загальний діапазон налаштування - 25 мм. Можна використовувати ручку грубого фокуса для швидкого підняття або опускання столика, і підстроювати точніше за допомогою ручки точного фокуса.

Після переміщення столика в бажане положення, можна закріпити його на місці за допомогою блокувального гвинта столика. Обертайте його за годинникову стрілку, щоб зафіксувати в поточному положенні. Він залишиться в цьому положенні, доки ви не ослабите блокувальний гвинт. Якщо бачите великий і важкий зразок, то можете захотіти підняти напруження ручки системи грубого фокусування. Обертайте колесо налаштування напруження, а столик понижуйте повільно і постійно, навіть з важкими зразками.

Освітлення

Зазвичай в освітлювальній системі мікроскопа використовується галогенна лампа 6 В/20 Вт. Для налаштування яскравості повертайте відповідну ручку, щоб краще освітлювати зразок, що спостерігається. Освітлення не повинне

бути надто яскраве для низькопотужних лінз об'єктива, і навпаки. При заміні лампи на нову, переконайтеся, що вона вирівняна вздовж оптичної осі, інакше якість ваших видів значно знизиться.

Для заміни старої лампи послабте гвинт знизу основи, зніміть кришку і замініть лампу.

Збірка

Дуже обережно розпакуйте свій новий мікроскоп. Перевірте, чи є всі частини і аксесуари. Зауважте, що деякі частини можуть бути розібрані для легшого транспортування, тому прийдеться їх зібрати до того, як розпочати спостереження.

- Зберіть біноклярну голівку. Послабте блокувальний гвинт і зніміть пластикову кришку з стійки. Зніміть пластикову кришку з біноклярної голівки. Приєднайте біноклярну голівку до стійки і закріпіть її за допомогою блокувального гвинта. Не намагайтеся послабити інших два гвинта на стійці.
- Зберіть лінзи об'єктива. Зазвичай ми збираємо лінзи об'єктива на заводських лініях, але, у деяких моделях вони постачаються окремо. Спочатку зніміть кришку від пилу з насадки і вийміть лінзи об'єктива з упаковки. Приєднайте лінзи об'єктива до насадки у висхідному порядку (від найменшого збільшення до найбільшого).
- Зберіть окуляри. Зніміть кришку від пилу з труби і приєднайте окуляри.

Використання мікроскопа

- Оберіть місце, де мікроскоп не буде знаходитися під прямим сонячним промінням. Спробуйте переміститися якомога далі від вікон і не спрямовувати окуляри в напрямку вікон. Пряме сонячне проміння може зашкодити оптиці і зменшити контраст зображень.
- Розмістіть на столику слайд із зразком і зафіксуйте його. Переконайтеся, що верхнє скло спрямоване вгору, інакше можуть бути проблеми з фокусуванням виду на більших збільшеннях (40x або 100x). Використовуйте низькопотужну лінзу об'єктива (4x або 10x) і включіть освітлення.
- За допомогою коаксіального управління переміщенням столика позиціонуйте слайд таким чином, щоб зразок розташовувався на лінзою конденсора.
- Сфокусуйте вид за допомогою ручки грубого фокусування. Набагато легше фокусувати вид на менших збільшеннях, тоді, коли ви використовуватимете високопотужну лінзу об'єктива, то достатньо буде лише підтягнути фокус за допомогою ручки точного фокусування.
- Тепер, після сфокусування виду, поверніть оберտальну насадку на високопотужну лінзу об'єктива. Завдяки парфокальним лінзам в даних мікроскопах, для фокусування видів достатньо просто використати ручку точного фокусування. Варта згадати, що лінзи об'єктива 4x і 10x ніколи не доторкатимуться до поверхні слайда через вбудовані обмежувачі. А також, хоча 40x і 100x можуть дотягнутися до слайду, завдяки їх підпружиненій конструкції вони ніколи його не зламують.
- Якщо неможливо сфокусувати вид, можна спробувати змінити діаметр діафрагми отвору, щоб він відповідав N.A. використаної лінзи об'єктива.

Вирішення проблем

Якщо у вас виникли якісь проблеми з вашим приладом під час його роботи, зверніться до цього розділу щодо можливих рішень. Проте, якщо це не допомагає, зв'яжіться з місцевим сервісним центром. Пам'ятайте - не намагайтеся розібрати мікроскоп на частини, оскільки це анулює вашу гарантію, а також може призвести до незворотних пошкоджень складної оптичної системи приладу.

Проблеми з мікроскопом:

Проблема	Причини	Рішення
Неможливо сфокусувати вид.	Столик занадто низько.	Підніміть столик за допомогою ручки грубого фокусування.
Лінза об'єктива часто пошкоджує слайди.	Столик занадто високо.	Опустіть столик за допомогою ручки точного фокусування.
Неможливо сфокусувати вид при використанні високопотужних лінз об'єктива.	Можливо, слайд розміщений перевертом, або верхнє скло затовсте.	Розташуйте слайд належним чином або виберіть стандартне верхнє скло (товщиною 0,17 мм).
При обертанні насадки лінзи об'єктива завжди дряпають поверхню.	Верхнє скло затовсте.	Виберіть стандартне верхнє скло (товщиною 0,17 мм).
Неможливо плавно перемістити слайд.	Столикові тримачі не зафіксовані.	Зафіксуйте столикові тримачі вручну.
Неповна видимість через бінокляр.	Невірна міжзінична відстань.	Налаштуйте міжзіничну відстань.
	Неповне налаштування діоптрій	Переналаштуйте параметри діоптрій.
	Недостатня яскравість.	Перевірте джерело освітлення і переналаштуйте яскравість.

Проблеми з оптичною системою:

Проблема	Причини	Рішення
Поле зору зменшене або не повністю освітлене.	Лінза об'єктива не зафіксована.	Поверніть обертальну насадку, щоб зафіксувати бажану лінзу.
	Невирівняна оптична вісь.	Переналаштуйте лампу освітлення.
	Оптика лінзи об'єктива брудна або запилена.	Очистіть лінзу об'єктива.
В полі зору є пилові плями.	Оптика лінзи об'єктива запилена або брудна.	Очистіть лінзу об'єктива.
	Поверхня слайду запилена або брудна.	Очистіть слайд.
	Лінза конденсора занадто низько.	Підніміть лінзу конденсора.
Незадовільна якість видів: знижений контраст, розмиті деталі, і т. д.	Зразок не захищений верхнім склом.	Покладіть на зразок верхнє скло.
	Верхнє скло затовсте або затонке.	Виберіть стандартне верхнє скло (товщиною
	Слайд розміщений перевернутим.	Розташуйте слайд правильно.
	Верхня лінза об'єктива - брудна.	Очистіть лінзу.
	Оптика лінзи об'єктива - брудна.	Очистіть лінзу об'єктива.
	Не використовувалась імерсійна олива при великих збільшеннях.	Додайте імерсійну оливу.
	В імерсійній оливі присутні повітряні бульбашки.	Поверніть обертальну насадку або додайте трохи більше оливи.
	Використання імерсійної оливи з низьким коефіцієнтом заломлення.	Використайте потрібну імерсійну оливу з високими коефіцієнтами заломлення.
	Поверхня призми - брудна.	Очистіть призму.
	Діаметр діафрагми отвору заширокий або замалий.	Налаштуйте діаметр.
Одна сторона поля зору темніша, ніж інша.	Лінза конденсора розміщена невірно або нахилена.	Налаштуйте лінзу конденсора.
	Лінза об'єктива не вирівняна з оптичною віссю.	Обертайте обертальну насадку, доки лінза об'єктива не зафіксується на місці.
Вид постійно зміщується під час спостережень.	Слайд не зафіксований на столику.	Зафіксуйте слайд столиковими затискачами.
	Лінза об'єктива не вирівняна з оптичною віссю.	Обертайте обертальну насадку, доки лінза об'єктива не зафіксується на місці.
Зображення, що спостерігається, жовтого кольору.	Не використовується синій фільтр.	Використайте синій фільтр.
Поле зору надто темне.	Діаметр діафрагми отвору замалий. Столикові тримачі не зафіксовані.	Налаштуйте діаметр. Зафіксуйте столикові тримачі вручну.
	Лінза конденсора занижено.	Підніміть лінзу конденсора.
	Оптика лінзи об'єктива - брудна.	Очистіть лінзу об'єктива.

Проблеми з електричними частинами:

Проблема	Причини	Рішення
Освітлення не працює, хоча включено.	Від'єднався кабель живлення.	Перевірте кабель живлення.
	Не встановлена лампа.	Встановіть лампу.
	Згорів запобіжник.	Замініть лампу або запобіжник.
Лампи швидко вигорають.	Використовується невірна лампа.	Використовується невірна лампа. Використовуйте стандартну лампу.
Освітлення затемне.	Використовується невірна лампа.	Використовуйте стандартну лампу.
	Напруга джерела живлення занижена.	Налаштуйте джерело живлення.
Лампа постійно мигає, яскравість постійно змінюється.	Стрибки електрики.	Використайте ББЖ для стабілізації живлення.
	Нитка майже вигоріла.	Замініть лампу.
	Від'єднався кабель живлення.	Перевірте кабель живлення.

Догляд і підтримка

- Дуже обережно розпакуйте мікроскоп, забезпечте, щоб нічого не впало на землю.
- Вся оптика калібрується на заводській лінії, не намагайтеся її розібрати самостійно.
- Бінокулярна голівка і фокусна система є високоточними елементами і не повинні розбиратися. Якщо у вас виникли проблеми з одним із цих елементів, зв'яжіться з нашим місцевим сервісним центром.
- Усі механічні елементи повинні бути захищені від пилу; усі механізми повинні регулярно змащуватися; усі оптичні елементи повинні триматися у чистоті.
- Зберігайте мікроскоп в чистому і сухому місці. Після закінчення спостережень замініть накриття від пилу і вимкніть прилад з джерела живлення.

Цифрова фотокамера

Levenhuk D870T постачається з цифровою 8 МП фотокамерою C800 NG.

Камера дозволяє спостерігати зразки в точній деталізації та природніх кольорах на моніторі ПК та зберігати зображення на жорсткому диску.

Спеціальне програмне забезпечення, що додається в комплекті, дозволяє переглядати і редагувати кінцеві зображення. Підтримувані формати файлів включають: *.bmp, *.jpg, *.jpeg, *.png, *.tif, *.tiff, *.gif, *.psd, *.ico, *.emf, *.wmf, і т. д.

Приєднайте камеру до свого ПК за допомогою USB-кабеля, який також виконує функцію кабеля живлення, тому її не потрібно включати у джерело живлення.

Модель камери	C800 NG
Макс. роздільна здатність (для фотографій)	3264x2448
Мегапікселів	8.0
Давач	1/2,2° КМОП
Розміри (максимальний діаметр циліндра), мм	50
Розмір пікселя	1,67 мкм x 1,67 мкм
Чутливість, В/люкс. сек@550 нм	0,31
Місце монтажу	Труба окуляра (заміняє окуляр)
Формат зображення	BMP, TIFF, JPG, PICT, SFTL, і т. д.
Діаметр поля зору	18 мм
Спектральний діапазон	400 нм - 650 нм
Експозиція	ERS
Баланс білого	Авто/ручний
Управління експозицією	Авто/ручне
Програмне управління зображенням.	Розмір зображення, яскравість, управління експозицією
Інтерфейс	USB 2.0, 480 МБ/с
Вимоги до системи	Windows XP/Vista/7/8; USB-порт
Програмне забезпечення	Програмне забезпечення для перегляду і редагування зображень.
Корпус	Металевий циліндр, пофарбований у чорний колір
Джерело живлення	Кабель USB 2.0
Діапазон температур	-30 - 70 °C

Зазвичай, при використанні низькопотужних лінз об'єктива (4x, 10x), зображення на моніторі ПК будуть зяскраві. В цьому випадку ви можете:

- зменшити яскравість освітлення;
- зменшити діаметр діафрагми отвору;
- опустити лінзу конденсора Аббе.

Зазвичай, при використанні високопотужних лінз об'єктива (40x, 100x), зображення на моніторі ПК будуть затемні. В цьому випадку ви можете:

- збільшити яскравість освітлення;
- збільшити діаметр діафрагми отвору;
- підняти лінзу конденсора Аббе.

Попередження

Ніколи не дивіться на джерела яскравого світла або лазери через фотокамеру або мікроскоп: це спричинить **НЕЗВОРОТНЕ ПОШКОДЖЕННЯ РОГІВКИ** і може призвести до **СЛІПОТИ!**

Не намагайтеся розібрати фотокамеру на частини.

Захищайте мікроскоп і камеру від вологи, не використовуйте їх під дощем.

Захищайте мікроскоп і камеру від ударів, надмірних навантажень з боку інших предметів.

Не докладайте надмірних зусиль до стопорних і фіксуючих гвинтів.

Зберігайте мікроскоп і камеру далеко від агресивних середовищ, побутових і автоопалювачів, ввімкнених ламп розжарювання і відкритого вогню.

При забрудненні оптичних поверхонь необхідно спочатку здухнути пил і дрібні частинки або змахнути їх м'яким пензликом, потім протерти поверхню м'якою чистою серветкою, змоченою в спирті або ефірі.

Не можна доторкатися пальцями до поверхонь оптичних деталей.

Міжнародна гарантія

- Продавець гарантує, що якість придбаних виробів компанії Levenhuk відповідає вимогам технічної документації за умови, що споживач дотримувався правил транспортування, умов зберігання та інструкцій з користування. Компанія Levenhuk Ltd. гарантує відсутність дефектів у матеріалах конструкції.
- Протягом гарантійного періоду Покупець може повернути дефектний виріб Продавцю або у сервісний центр Levenhuk.
- Компанія Levenhuk Ltd. на власний розсуд відремонтує або замінить дефектний виріб.
- У випадку невірно заповненого гарантійного талона, заповненого з виправленнями або його відсутності, або якщо дефектний виріб не був наданий Покупцем, претензії не приймаються. Виробник і продавець не несуть відповідальності за будь-які збитки, спричинені неправильним використанням виробу. Гарантія вважається недійсною у випадках, коли виріб використовувався не за призначенням, або має механічні пошкодження, подряпини, тріщини, пошкодження оптики, а також у випадках, коли виріб стає неробочим внаслідок ударів, стискання, розтягування, а також внаслідок ремонту неавторизованим персоналом.
- Гарантія не поширюється на компоненти з обмеженим строком використання, елементи живлення та інше.

Гарантійний період: 3 (три) роки з дати покупки. Зберігайте гарантійний талон разом з чеком.
Щодо детальної інформації з післяпродажного обслуговування, звертайтеся напряму до Levenhuk.

Світові відділення Levenhuk:

США: www.levenhuk.com

Чехія: www.levenhuk.cz

Росія: www.levenhuk.ru

Україна: www.levenhuk.com.ua

ЄС: www.levenhuk.eu

Дата продажу _____ Підпис _____ Печатка _____

Levenhuk optics cleaning tools
Prostředky na čištění optiky Levenhuk
Original-Reinigugnszubehör von Levenhuk
Narzędzia do czyszczenia optyki Levenhuk
Средства для ухода за оптикой Levenhuk
Засоби догляду за оптикою Levenhuk



Levenhuk N18/N20/N38/N80 prepared slides
Botany, biology, zoology, physiology
Sady pevných preparátů Levenhuk N18/N20/ N38/N80
Botanika, biologie, zoologie, fyziologie
Präparierte Objektträger Levenhuk N18/N20/ N38/N80
Botanik, Biologie, Zoologie, Physiologie
Gotowe preparaty Levenhuk N18/N20/N38/N80 Botanika,
biologia, zoologia, fizjologia
Наборы готовых микропрепаратов Levenhuk
N18/N20/N38/ N80
Ботаника, биология, зоология, физиология
Підготовлені слайди Levenhuk N18/N20/N38/N80
Ботаніка, біологія, зоологія, фізіологія



Levenhuk K50 experiment kit
Experimentální sada Levenhuk K50
Levenhuk N50 Experimentierset
Zestaw do badań Levenhuk N50
Набор для опытов Levenhuk N50
Експериментальний комплект Levenhuk N50



levenhuk[®]
Zoom&Joy[®]

Developed and manufactured for Levenhuk, Ltd.
Long Island City, NY 11101 USA.
Levenhuk[®] is a registered trademark of Levenhuk, Ltd.
Copyright © 2006-2013 Levenhuk Ltd. All rights reserved