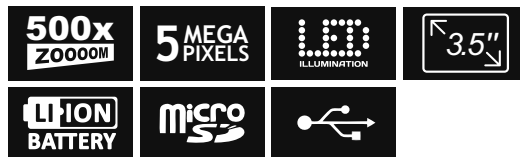


Levenhuk DTX 500 LCD

Digital Microscope



EN	User Manual
CZ	Návod k použití
DE	Bedienungsanleitung
ES	Guía del usuario
PL	Instrukcja obsługi
RU	Инструкция по эксплуатации



levenhuk[®]
Zoom&Joy

Levenhuk DTX 500 LCD

Digital Microscope

EN

Microscope parts

- | | | | |
|---|-------------------------|----|--------------------------------|
| 1 | LCD display | 9 | Brightness adjustment wheel |
| 2 | MicroSD card slot | 10 | Magnification adjustment wheel |
| 3 | Fine focus knob | 11 | Power cable socket |
| 4 | Microscope optical tube | 12 | RCA socket |
| 5 | Stage | 13 | USB socket |
| 6 | Coarse focus knob | 14 | Battery compartment |
| 7 | Focus lock knob | 15 | Battery status indicator |
| 8 | Shutter button | 16 | Function keys |

The kit includes: microscope, rechargeable battery, power cable, USB cable, RCA cable, Levenhuk DTX installation CD, cleaning cloth, user guide, calibration scale.

Microscope assembly

Open the battery compartment at the bottom of the microscope base. Insert the battery into the battery compartment matching the indicated polarity. The battery has to be fully charged before turning the microscope on for the first time. Plug the power cable into the power cable socket on the microscope body (11) and connect it to a power source. The battery status indicator (15) will turn red. Once the battery is fully charged, the indicator will go out. You can now disconnect the microscope from the power source and turn it on. The fully-charged battery allows you to use the microscope for two hours. The illumination will grow dim and the image quality will decrease to inform you that the battery is low. Charge the battery, as described above.

A MicroSD card (purchased separately) is required to save captured images and recorded videos. Turn the microscope off and insert the MicroSD card into the corresponding slot on the microscope body until it locks in place with a click. Do not apply excessive force when inserting the MicroSD card. Try rotating the card, if it does not lock in place with ease. Format the card before using it.

To turn the microscope on press the power button (16). To turn the microscope off press the power button (16) again (refer to Power saving for more information).

Never, under any circumstances, look directly at the Sun, another bright source of light or at a laser through this device, as this may cause **PERMANENT RETINAL DAMAGE** and may lead to **BLINDNESS**.

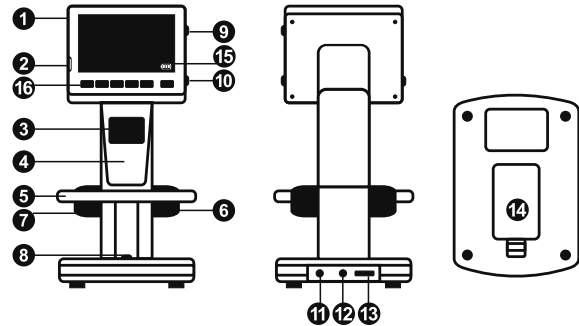


Image capture mode icon



Sequence capture mode icon

00013/01618

Captured image counter/Total number of images that may be captured (based on the current resolution)



MicroSD status icon

5.0M

Current image resolution



Battery status indicator

Note: interface icons may be hidden by pressing the magnification adjustment wheel (9).

Using the microscope

Capturing an image

Turn the microscope on and place a specimen on the stage. Adjust the illumination brightness, so that the specimen is evenly lit. Change magnification and focus your view, if necessary, then lock the results in place with the focus lock knob (7). Press the shutter button (8).

Recording a video

Press the ◀ key (16) to switch to video mode. The icon in the upper left corner of the screen will change in confirmation. Press the shutter button (8) to start recording and press it again to stop.

Playing recorded videos

Press the ◀ key (16) to switch to playback mode. The icon in the upper left corner of the screen will change in confirmation. Select the desired video clip with scroll keys (16) and press **OK** to play it.

Deleting files

When browsing saved files, press the **Wrench** key (16), select **Delete...** press **OK** to confirm selection (you can choose to delete everything or just the selected file from the displayed menu).

Protecting files

When browsing saved files, press the **Wrench** key (16), select **Protect** press **OK** confirm selection (you can choose to protect everything or just the selected file from the displayed menu).

Slideshow

When browsing saved files, press the **Wrench** key (16), select **Slide Show** and press **OK** to confirm selection.

Interface color mode

When browsing saved files, press the ▲ key to switch between existing interface color modes.

Magnification

Scroll the magnification adjustment wheel (10) to zoom your view in or out.

Note: magnification range of Levenhuk DTX 500 LCD is 1x–4x.

Transferring files to a computer

Connect the microscope to your computer with a USB cable and, when the AutoPlay window appears, choose to use the microscope as an external storage device.

Main menu

Press the **Wrench** key (16) to open the main menu. From this menu you can set image resolution, adjust image quality and sharpness, as well as set parameters for sequence capture.

Resolution

Select **Resolution** the main menu choose the required image resolution. Press **OK** to confirm selection.

Note: model supports the following resolutions: VGA / 1.3M / 3M / 5M / 8M / 12M.

Sequence capture

Select **Timer** from the main menu and set the total number of images to be captured in the **Frames** dialog window. Confirm your selection by pressing **OK**. A new dialog window will appear where you can set the interval between images using the ▲ and ▼ keys. Press **OK** to confirm and ◀ to return to capture mode. Press the shutter button to start capturing images. The icon in the upper left corner will change in confirmation. Once the set number of images has been captured, the screen will return to standard capture mode. Press the shutter button at any time to stop sequence capture.

Quality

Select **Quality** from the main menu and choose one of the existing settings. This will change the compression rate of captured images.

Sharpness

Select **Sharpness** from the main menu and choose one of the existing settings.

Language

Select **Language** from the main menu and choose one of the existing settings. Press **OK** to confirm selection.

Power saving

Select **Power Save** from the main menu and set the idle time before the microscope automatically shuts down.

Display frequency

Select **Frequency** from the main menu and choose one of the existing settings. Press **OK** to confirm selection.

Date and time display

Select **Date Stamp** from the main menu and choose one of the existing settings. You can opt to display the date or both date and time. Press **OK** to confirm selection.

TV connection

Select **TV Out** from the main menu and choose one of the existing settings. Press **OK** to confirm selection.

Date and time

Select **Date/Time** from the main menu and set the current date and time. Press **OK** to confirm entry. You can also choose one of the following date formats: YY/MM/DD, DD/MM/YY or MM/DD/YY.

Format SD card

Select **Format SD** from the main menu to format the installed memory card.

Settings reset

Select **Sys. Reset** from the main menu to revert back to factory settings.

Hardware version

Select **Version** from the main menu to check the current hardware version.

Connecting the microscope to a TV-set

Plug the RCA cable into the microscope and connect it to your TV-set (refer to the User Guide of your TV-set for additional information). Turn on the TV and select the correct channel from the corresponding menu of the TV-set (refer to the User Guide of your TV-set for additional information).

PortableCapture Pro software

Insert the installation CD into your CD drive. The Main Menu window will be displayed. Select **PortableCapture software** to install the PortableCapture Pro application. Keep in mind that a system restart will be required during installation. The installation CD contains a copy of this User Guide, which you can read by clicking the corresponding entry in the Main Menu.

Connect the microscope to your PC with a USB cable and run the PortableCapture Pro application. A pop-up message will warn you if the microscope is not connected to the PC.

Note: function keys are disabled when the microscope is connected to a computer as a camera. The microscope is operated through the PortableCapture Pro application. All the images and videos will be saved to the computer's hard drive.



Capture an image



Start and stop video recording



Sequence capture (you can set the time to begin capturing images or videos, interval between them, video duration and the number of images or videos to be captured)



Full screen mode. To exit full screen mode, press **Escape** on your keyboard or double-click anywhere on the screen



Save as



Draw



Copy to clipboard



Text



Copy file



Measurement



Previous image



Calibration



Next image



Undo the last action



Repeat the last action

File

Photos Directory: set a directory for captured images.

Videos Directory: set a directory for recorded videos.

Options

Resolution: set image resolution.

Date/Time: hide or display date and time of capture during preview.

Language: change the language of the user interface.

Crossing: hide or display a grid on images.

Full screen mode: go full screen.

Capture

Photo: capture an image.

Video: record a video.

Capturing an image

Click the corresponding icon on the toolbar or select **Photo** from the **Capture** menu.

Recording a video

Click the corresponding icon on the toolbar or select **Video** from the **Capture** menu.

Sequence capture

Click the corresponding icon on the toolbar. A dialog window will appear where you can set a number of parameters for sequence capture. Click the **Photo** radio button to set the time to begin capturing images, interval between them and the total number of images. Click the **Video** radio button to set the time to begin recording videos, their duration, interval between them and the total number of clips.

Calibrating

Before calibrating the microscope, turn the grid display on. To do so, select **on** from **Options > Crossing**. By default, the grid is visible. Place the calibration scale on the stage and focus your view. Make sure that the vertical axis of the grid is parallel to scale divisions and capture an image. Double-click the image thumbnail to open it in a separate window.

Click the corresponding icon on the toolbar to begin calibration. Using your mouse, choose two points on the image (you have to know the actual distance between these two points). Once you choose the second point, a dialog window will open, where you have to enter the known distance in the **Actual dimension** field. The application will automatically calculate the magnification of the image. Click **OK** to close the dialog window. The calculated magnification will be displayed in the **Magnification** field.

Note: chosen points should form a horizontal line.

You can check calibration results by measuring the same distance with the **Any Angle Line** tool. Click the measurements icon, choose the **Any Angle Line** tool and draw a similar line on the image. If the measured distance is equal to the actual distance, calibration has been successful.

Recalibration

The calibration process has to be repeated if the magnification or focus has been changed during observations.

Click the corresponding icon on the toolbar again and select **Reset picture magnification** from **Reset magnification**. Repeat the calibration process, as described above. Change the magnification and capture a few images. Double-click one of the thumbnails to open the resulting image in a preview window. Click the calibration icon on the toolbar and select **Set picture magnification** from **Set magnification**. Enter the current magnification in the dialog window that appears and click **OK**.

If you want to use the same magnification when capturing images in the future, click the calibration icon on the toolbar and select **Set capture magnification** from **Set magnification**.

Measurements

It is recommended to calibrate the system before proceeding with measurements.

Any Angle Line. Press and hold the left mouse button to start drawing a line. Release the left mouse button to complete the line.

Continuous Line. Use this tool to draw a curve on the image and measure its length.

Radius Circle. Draw a straight line on the image. The application will automatically calculate the radius, as well as circumference and area of the corresponding circle.

Diameter Circle. Draw a straight line on the image. The application will automatically calculate the diameter, as well as circumference and area of the corresponding circle.

Three Points Angle. Place three points on the image with your mouse. The application will automatically calculate the angle value.

Draw and text

PortableCapture Pro allows you to add drawings and textboxes to your images. Open an image in a preview window and click the **Pencil** icon on the toolbar. Select one of the tools from the drop-down menu and draw something on the image. By clicking the **TT** icon on the toolbar, you can edit font type and color to be used in textboxes.

Working with the application for Mac OS users

Browse to the **mac** folder on the installation CD and copy **PortableCapture Pro** file to the desktop. Use a USB cable to connect the microscope to your computer. Run the PortableCapture Pro application by double-clicking its icon.

A magnified image of the observed specimen may be seen in the main window of the application. From the **Options** menu, select **Preview Size** to set the image resolution. Keep in mind that the preview window cannot be resized (standard resolution is 640x480). The image resolution is shown in the bottom left corner of the preview window.

From the **Options** menu, select **Date/Time** to display or hide the date and time of capture during preview.

Click the corresponding icon on the toolbar or select **Photo** from the **Capture** menu to capture an image. An image thumbnail will appear on the right side of the main window. Click the corresponding icon on the toolbar or select **Video** from the **Capture** menu to start recording a video. A video thumbnail will appear on the right side of the main window.

Note: during recording, the camcorder icon on the toolbar will turn red. Click the icon again to stop recording.

Image and video thumbnails are displayed on the right side of the main window of the application.

Double-click an image thumbnail to open it in a separate preview window.

Editing images with PortableCapture Pro application is similar to working with other applications in Mac OS.

Care and maintenance

Never, under any circumstances, look directly at the Sun, another bright source of light or at a laser through this device, as this may cause PERMANENT RETINAL DAMAGE and may lead to BLINDNESS. White LEDs are very bright; do not look at them as this may cause permanent damage to your vision. Take necessary precautions when using the device with children or others who have not read or who do not fully understand these instructions. After unpacking your microscope and before using it for the first time check for integrity and durability of every component and connection. Do not try to disassemble the device on your own for any reason. For repairs and cleaning of any kind, please contact your local specialized service center. Protect the device from sudden impact and excessive mechanical force. Do not apply excessive pressure when adjusting focus. Do not overtighten the locking screws. Do not touch the optical surfaces with your fingers. To clean the device exterior, use only special cleaning wipes and special optics cleaning tools from Levenhuk. Abrasive particles, such as sand, should not be wiped off lenses, but instead blown off or brushed away with a soft brush. Do not use the device for lengthy periods of time, or leave it unattended in direct sunlight. Keep the device away from water and high humidity. Be careful during your observations, always replace the dust cover after you are finished with observations to protect the device from dust and stains. If you are not using your microscope for extended periods of time, store the objective lenses and eyepieces separately from the microscope. Store the device in a dry, cool place away from hazardous acids and other chemicals, away from heaters, open fire and other sources of high temperatures. To avoid data loss or equipment damage, always close the application first, and then disconnect the microscope from your PC. Wait until the illumination goes off completely, and disconnect the microscope. Seek medical advice immediately if a small part or a battery is swallowed.

Battery safety instructions

Always purchase the correct size and grade of battery most suitable for the intended use. Always replace the whole set of batteries at one time; taking care not to mix old and new ones, or batteries of different types. Clean the battery contacts and also those of the device prior to battery installation. Make sure the batteries are installed correctly with regard to polarity (+ and -). Remove batteries from equipment that is not to be used for an extended period of time. Remove used batteries promptly. Never attempt to recharge primary batteries as this may cause leakage, fire, or explosion. Never short-circuit batteries as this may lead to high temperatures, leakage, or explosion. Never heat batteries in order to revive them. Remember to switch off devices after use. Keep batteries out of the reach of children, to avoid risk of ingestion, suffocation, or poisoning.

Specifications

Image sensor	5Mpx (up to 12Mpx by interpolation)
Magnification	20x–200x–500x
Available image resolutions	12Mpx, 8Mpx, 5Mpx, 3Mpx, 1.3Mpx, VGA
Photo/video format	*.jpeg/*.avi
Memory card	microSD up to 32Gb (not included)
Objective lens	High-quality lens
Display	3.5" TFT-display, 4:3 ratio
Illumination	8-LED system with variable brightness
Power source	Li-ion battery (3.7V/1050 mAh)
	Operation time: 2 hours, charging time: 2 hours
Frame rate	30fps
Power cable	100–240V, 50/60Hz; 5V, 1A output
OS language	English, German, French, Spanish, Italian, Portuguese, Japanese, Chinese
Software language	English, German, French, Spanish, Russian, Italian, Portuguese, Polish, Dutch, Japanese, Korean, Chinese
Dimensions (HxWxD)	227 x 104 x 149mm
Weight	760g (with the battery)

Levenhuk reserves the right to modify or discontinue any product without prior notice.

System requirements

Operating system: Windows XP SP2/Vista/7/8, Mac 10.6–10.8,
CPU: at least P4 1.8GHz, RAM: 512MB, interface: USB 2.0

Levenhuk International Lifetime Warranty

All Levenhuk telescopes, microscopes, binoculars and other optical products, except for accessories, carry a lifetime warranty against defects in materials and workmanship. Lifetime warranty is a guarantee on the lifetime of the product on the market. Levenhuk accessories are warranted to be free of defects in materials and workmanship for six months from date of retail purchase. Levenhuk will repair or replace such product or part thereof which, upon inspection by Levenhuk, is found to be defective in materials or workmanship. As a condition to the obligation of Levenhuk to repair or replace such product, the product must be returned to Levenhuk together with proof of purchase satisfactory to Levenhuk. This warranty does not cover consumable parts, such as bulbs (electrical, LED, halogen, energy-saving and other types of lamps), batteries (rechargeable and non-rechargeable), electrical consumables etc.

For further details, please visit our web site: www.levenhuk.com/warranty

Levenhuk DTX 500 LCD

Digitální mikroskop

CZ

Obsah soupravy

- | | | | |
|---|--------------------------|----|------------------------------|
| 1 | LCD displej | 9 | Regulátor nastavení jasu |
| 2 | Slot pro kartu microSD | 10 | Regulátor nastavení zvětšení |
| 3 | Šroub jemného zaostření | 11 | Zdířka napájecího kabelu |
| 4 | Optický tubus mikroskopu | 12 | Zdířka RCA |
| 5 | Pracovní stolek | 13 | Zdířka USB |
| 6 | Šroub hrubého zaostření | 14 | Prostor pro baterie |
| 7 | Šroub aretace zaostření | 15 | Ukazatel stavu baterie |
| 8 | Tlačítko závěrky | 16 | Funkční klávesy |

Obsah soupravy: mikroskop, dobíjecí baterie, napájecí kabel, kabel USB, kabel RCA, instalační CD Levenhuk DTX, čisticí utěrka, kalibrační stupnice, návod k použití.

Montáž mikroskopu

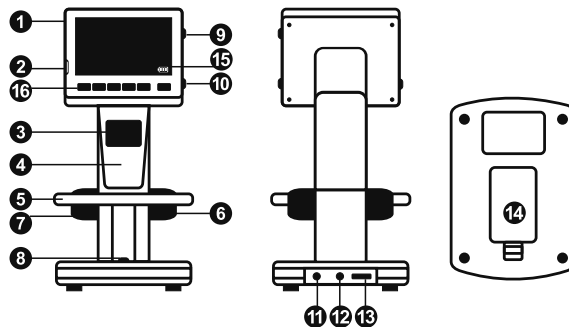
Otevřete prostor pro baterie ve spodní části stativu mikroskopu. Vložte baterii do prostoru pro baterie. Dbejte na správnou polaritu baterie.

Před prvním zapnutím mikroskopu musí být baterie plně nabitá. Napájecí kabel zapojte do zásuvky na těle mikroskopu (11) a připojte jej ke zdroji napájení. Rozsvítí se červený ukazatel stavu baterie (15). Jakmile je baterie zcela nabitá, ukazatel zhasne. Nyní můžete mikroskop odpojit od napájecího zdroje a zapnout. Plně nabitá baterie umožňuje mikroskop používat nepřetržitě po dobu dvou hodin. Nízký stav baterie se projeví snížením intenzity osvětlení a zhoršením kvality obrazu. V takovém případě baterii výše uvedeným postupem dobijte.

Karta microSD (nutno koupit samostatně) slouží k ukládání pořízených statických snímků a videozáznamů. Mikroskop vypněte a kartu microSD vložte do odpovídajícího slotu na těle mikroskopu, dokud vám zvuk cvaknutí neoznámí, že je vložena správně. Při vkládání microSD karty nepoužívejte příliš velkou sílu. Nejde-li na své místo vložit snadno, zkuste ji otočit. Kartu před prvním použitím zformátujte.

Zapnutí mikroskopu: stiskněte hlavní vypínač (16). Vypnutí mikroskopu: stisknete znovu hlavní vypínač (16) (Další informace naleznete v kapitole Úsporný režim).

Nikdy, za žádných okolností se tímto přístrojem nedívejte přímo do slunce, jiného světelného zdroje nebo laseru, neboť hrozí nebezpečí TRVALÉHO POŠKOZENÍ SÍTNICE a případně i OSLEPNUTÍ.



Ikona režimu pořizování statických snímků



Ikona režimu pořizování sekvencí

00013/01618

Počítadlo pořízených statických snímků/
celkový počet snímků, jež lze pořídít
(na základě aktuálního rozlišení)



Stavová ikona karty microSD

5.0M

Aktuální rozlišení snímků



Ukazatel stavu baterie

Poznámka: Ikony na rozhraní lze skrýt stisknutím regulátoru nastavení zvětšení (9).

Práce s mikroskopem

Snímání obrazu

Mikroskop zapněte a na stolek položte preparát. Nastavte jas osvětlení tak, aby byl preparát rovnoměrně osvětlený. V případě potřeby změňte zvětšení a zaostřete obraz, výsledek pak zajistěte pomocí zámku zaostření (7). Stiskněte tlačítko závěrky (8).

Poživování videozáznamů

Stisknutím klávesy ◀ (16) přejdete do režimu videozáznamu. Přechod do jiného režimu je potvrzen změnou ikony v levém horním rohu. Stisknutím tlačítka závěrky (8) zahájíte záznam a dalším stisknutím jej zastavíte.

Přehrávání pořízených videozáznamů

Stisknutím klávesy ◀ (16) přejdete do režimu přehrávání. Přechod do jiného režimu je potvrzen změnou ikony v levém horním rohu. Pomocí navigačních kláves (16) zvolte požadovaný videozáznam a klávesou **OK** spusťte přehrávání.

Nastavení ochrany souborů

Při procházení uložených souborů stiskněte klávesu **Wrench** (Nástroje) (16), zvolte možnost **Protect** (Chránit) a klávesou **OK** potvrďte volbu (můžete chránit vše, nebo jen vybraný soubor ze zobrazené nabídky).

Prezentace

Při procházení uložených souborů stiskněte klávesu **Wrench** (Nástroje) (16), zvolte možnost **Slide Show** (Prezentace) a klávesou **OK** potvrďte volbu.

Barevný režim rozhraní

Při procházení uložených souborů můžete stisknutím klávesy ▲ přecházet mezi dostupnými barevnými režimy rozhraní.

Zvětšení

Zobrazení můžete přiblížit nebo oddálit otáčením regulačního šroubu zvětšení (10).

Poznámka: Rozsah zvětšení mikroskopu Levenhuk DTX 500 LCD je 1x–4x.

Přenos souborů na počítač

Mikroskop připojte k počítači pomocí USB kabelu a jakmile se otevře okno automatického přehrávání, vyberte možnost použití mikroskopu jako externího úložného zařízení.

Main menu (Hlavní nabídka)

Stisknutím klávesy **Wrench** (Nástroje) (16) otevřete hlavní nabídku.

V této nabídce můžete nastavit rozlišení obrazu, upravit kvalitu a ostrost obrazu a dále nastavit parametry pro zachycování sekvencí.

Resolution (Rozlišení)

V hlavní nabídce zvolte možnost **Resolution** (Zvětšení) a zvolte požadované rozlišení obrazu. Vybranou možnost potvrďte stisknutím tlačítka **OK**.

Poznámka: Tento model podporuje následující rozlišení: VGA / 1,3M / 3M / 5M / 8M / 12M.

Sequence capture (Zachycování sekvencí)

V hlavní nabídce zvolte možnost **Timer** (Stopky) a v dialogovém okně **Frames** (Snímky) nastavte celkový počet snímků, které se mají pořídit. Stisknutím klávesy **OK** potvrďte svou volbu. Otevře se nové dialogové okno, v němž můžete pomocí kláves ▲ a ▼ nastavit interval mezi snímky. Stisknutím klávesy **OK** potvrďte volbu a tlačítkem ◀ se vrátíte zpět do režimu pořizování snímků. Klávesou závěrky spusťte pořizování snímků. Spuštění je potvrzeno změnou ikony v levém horním rohu. Po zachycení nastaveného počtu snímků se obrazovka vrátí do standardního režimu pořizování snímků. Pořizování sekvence můžete kdykoli zastavit stisknutím tlačítka závěrky.

Quality (Kvalita)

V hlavní nabídce zvolte možnost **Quality** (Kvalita) a vyberte si jedno z nabízených nastavení. Tím se změní kompresní poměr pořizovaných snímků.

Sharpness (Ostrost)

V hlavní nabídce zvolte možnost **Sharpness** (Ostrost) a vyberte si jedno z nabízených nastavení.

Language (Jazyk)

V hlavní nabídce zvolte možnost **Language** (Jazyk) a vyberte si jedno z nabízených nastavení. Zvolenou možnost potvrďte stisknutím tlačítka **OK**.

Power saving (Úsporný režim)

V hlavní nabídce zvolte možnost **Power Safe** (Úsporný režim) a nastavte dobu nečinnosti, po jejímž uplynutí se mikroskop automaticky vypne.

Display frequency (Kmitočet displeje)

V hlavní nabídce zvolte možnost **Frequency** (Kmitočet) a vyberte si jedno z nabízených nastavení. Zvolenou možnost potvrďte stisknutím tlačítka **OK**.

Date and time display (Zobrazit datum a čas)

V hlavní nabídce zvolte možnost **Date Stamp** (Časové razítko) a vyberte si jedno z nabízených nastavení. Můžete si vybrat zobrazení pouze data nebo data i času. Zvolenou možnost potvrdíte stisknutím tlačítka **OK**.

TV connection (Připojení k TV)

V hlavní nabídce zvolte možnost **TV Out** (TV výstup) a vyberte si jedno z nabízených nastavení. Zvolenou možnost potvrdíte stisknutím tlačítka **OK**.

Date and time (Datum a čas)

V hlavní nabídce vyberte možnost **Date/Time** (Datum/čas) a nastavte aktuální datum a čas. Zadáání potvrdíte stisknutím klávesy **OK**. Dále si můžete zvolit jeden z následujících formátů data: RR/MM/DD, DD/MM/RR nebo MM/DD/RR

Format SD card (Formátovat kartu)

Chcete-li formátovat instalovanou paměťovou kartu, vyberte z hlavní nabídky položku **Format SD** (Formátovat kartu SD).

Settings reset (Obnovení továrního nastavení)

Chcete-li obnovit původní tovární nastavení, zvolte v hlavní nabídce položku **Sys. Reset** (Reset systému).

Připojení mikroskopu k televiznímu přijímači

Do mikroskopu zapojte kabel RCA a druhý konec připojte ke svému televiznímu přijímači (další informace naleznete v návodu k použití svého televizního přijímače). Televizní přijímač zapněte a zvolte správný kanál z příslušné nabídky na televizním přijímači (další informace naleznete v návodu k použití svého televizního přijímače).

Práce s aplikací PortableCapture Pro

Do CD jednotky svého počítače vložte instalační CD. Zobrazí se okno hlavní nabídky. Instalaci aplikace PortableCapture Pro zahájíte zvolením možnosti **PortableCapture software**. Upozorňujeme, že během instalace bude vyžadováno restartování počítače. Instalační CD obsahuje kopii této uživatelské příručky, kterou můžete otevřít kliknutím na odpovídající položku v hlavní nabídce.

Mikroskop připojte k počítači pomocí USB kabelu a jakmile se otevře okno automatického přehrávání, zvolte možnost použití mikroskopu jako kamery. Spusťte aplikaci PortableCapture Pro (viz kapitola **Práce s aplikací PortableCapture Pro**, kde jsou uvedeny další informace).

Poznámka: Je-li mikroskop k počítači připojen jako kamera, funkční klávesy nejsou v provozu. Ovládání mikroskopu se provádí pomocí aplikace PortableCapture Pro. Všechny pořízené statické snímky a videozáznamy se uloží na pevný disk počítače.



Snímat statický obraz



Zahájit a ukončit nahrávání videozáznamu



Snímat sekvenci (můžete nastavit dobu zahájení pořizování statických snímků nebo videozáznamu, interval mezi nimi, délku videozáznamu a počet statických snímků nebo videozáznamů, jež se mají pořídít)



Režim celé obrazovky. Režim celé obrazovky můžete ukončit stisknutím klávesy **Escape** na klávesnici nebo dvojitým kliknutím na obrazovku



Uložit jako



Nakreslit



Kopírovat do schránky



Text



Kopírovat soubor



Měření



Předchozí snímek



Kalibrace



Další snímek



Vrátit zpět poslední činnost



Opakovat poslední činnost

File (Soubor)

Photos Directory (Složka pro fotografie): nastavení složky k ukládání pořízených snímků.

Videos Directory (Složka pro videozáznamy): nastavení složky k ukládání pořízených videozáznamů.

Options (Možnosti)

Resolution (Rozlišení): nastavení rozlišení obrazu.

Date/Time (Datum/čas): během náhledu zobrazí nebo skryje datum a čas pořízení.

Language (Jazyk): změna jazyka uživatelského rozhraní.

Crossing (Mřížka): zobrazí nebo skryje mřížku na snímcích.

Full screen mode: (Režim celé obrazovky) přechod do režimu plné obrazovky.

Capture (Snímání)

Photo: snímání statického obrazu.

Video: pořízení videozáznamu.

Snímání obrazu

Klikněte na příslušnou ikonu v panelu nástrojů nebo v nabídce **Capture** (Snímání) zvolte možnost **Photo**.

Pořizování videozáznamů

Klikněte na příslušnou ikonu v panelu nástrojů nebo v nabídce **Capture** (Snímání) zvolte možnost **Video**.

Zachycování sekvencí

Klikněte na příslušnou ikonu v panelu nástrojů. Otevře se dialogové okno, v němž můžete nastavit řadu parametrů pro snímání sekvencí. Klikněte na přepínač **Photo** a nastavte čas zahájení pořizování snímků, interval mezi nimi a celkový počet snímků. Klikněte na přepínač **Video** a nastavte dobu zahájení nahrávání videozáznamů, jejich délku, interval mezi nimi a celkový počet videosnímků.

Kalibrace

Před zahájením kalibrace mikroskopu zapněte zobrazení mřížky. To se provede volbou možnosti **on** (zapnuto) v nabídce **Options > Crossing** (Možnosti > Mřížka). Ve výchozím nastavení se mřížka zobrazuje. Na pracovní stolek položte kalibrační stupnici a zaostřete obraz. Ujistěte se, zda je vodorovná osa mřížky souběžná s dílkou stupnice, a poříďte snímek. Dvojitým kliknutím na náhled obrázku jej otevřete v samostatném okně. Kliknutím na příslušnou ikonu v panelu nástrojů zahajte kalibraci. Pomocí myši zvolte dva body na snímku (musíte znát skutečnou vzdálenost mezi těmito body). Jakmile vyberete druhý bod, otevře se dialogové okno, kde do pole **Actual dimension** (Skutečný rozměr) zadáte známou vzdálenost. Aplikace automaticky vypočte zvětšení obrazu. Tlačítkem **OK** dialogové okno zavřete. Vypočtené zvětšení se zobrazí v poli **Magnification** (Zvětšení).

Poznámka: vybrané body by měly být ve vodorovné linii.

Výsledky kalibrace můžete zkontrolovat tak, že stejnou vzdálenost změříte pomocí nástroje

Any Angle Line (Čára v libovolném úhlu). Klikněte na ikonu měření, zvolte nástroj **Any Angle Line** (Čára v libovolném úhlu) a na snímku nakreslete podobnou čáru. Je-li naměřená vzdálenost stejná jako skutečná, proběhla kalibrace úspěšně.

Rekalibrace

Došlo-li během pozorování ke změně hodnoty zvětšení nebo zaostření, kalibrační proces je nutné zopakovat.

Klikněte znovu na příslušnou ikonu na panelu nástrojů a z nabídky **Reset magnification** (Resetovat zvětšení) zvolte možnost **Reset picture magnification** (Resetovat zvětšení obrazu). Výše uvedeným postupem opakujte proces kalibrace. Změňte hodnotu zvětšení a poříďte několik snímků. Dvojitým kliknutím na náhledy otevřete výsledný snímek k nahlédnutí v samostatném okně. V panelu nástrojů klikněte na ikonu kalibrace a z nabídky **Set magnification** (Nastavit zvětšení) zvolte možnost **Set picture magnification** (Nastavit zvětšení obrazu). V dialogovém okně, které se otevře, zadejte aktuální zvětšení a klikněte na tlačítko **OK**. Chcete-li při pořizování snímků v budoucnu použít stejné zvětšení, klikněte na ikonu kalibrace a v nabídce **Set magnification** (Nastavit zvětšení) zvolte možnost **Set capture magnification** (Nastavit zvětšení při snímání).

Měření

Před zahájením měření doporučujeme provést kalibraci systému.

Any Angle Line (Čára v libovolném úhlu). Chcete-li začít kreslit čáru, stiskněte a přidržeť levé tlačítko myši. Čáru ukončíte uvolněním levého tlačítka myši.

Continuous Line (Souvislá čára). Pomocí tohoto nástroje můžete na snímku nakreslit křivku a změřit její délku.

Radius circle (Poloměr kruhu). Na snímku nakreslete přímkou. Aplikace automaticky vypočte poloměr, obvod a plochu odpovídajícího kruhu.

Diameter circle (Průměr kruhu). Na snímku nakreslete přímkou. Aplikace automaticky vypočte průměr, obvod a plochu odpovídajícího kruhu.

Three Points Angle (Úhel ze tří bodů). Pomocí myši umístíte na snímku tři body. Aplikace automaticky vypočte hodnotu úhlu.

Kreslení a text

Aplikace PortableCapture Pro umožňuje do snímků přidávat kresby nebo textová pole. Snímek otevřete v okně náhledu a v panelu nástrojů klikněte na ikonu **Pencil** (Tužka). Vyberte jeden z nástrojů v rozbalovací nabídce a něco na snímek nakreslete. Po kliknutí na ikonu **TT** v panelu nástrojů můžete upravit typ a barvu písma, které se bude používat v textových polích.

Práce s aplikací v prostředí Mac OS

Na instalačním CD přejděte do složky **mac** a na plochu počítače zkopírujte soubor **PortableCapture Pro**. Pomocí kabelu USB mikroskop připojte k počítači. Dvojitým kliknutím na ikonu PortableCapture Pro spusťte aplikaci.

Zvětšený obraz pozorovaného preparátu lze pozorovat v hlavním okně aplikace. V nabídce **Options** (Možnosti) zvolte možnost **Preview Size** (Velikost náhledu) a nastavte rozlišení obrazu. Mějte na paměti, že velikost okna náhledu nelze měnit (standardní rozlišení je 640x480). Hodnota rozlišení obrazu se zobrazuje v levém dolním rohu okna náhledu.

V nabídce **Options** (Možnosti) zvolte možnost **Date/Time** (Datum/čas), pomocí níž lze během náhledu zobrazit nebo skrýt datum a čas pořízení snímku.

Klikněte na příslušnou ikonu v panelu nástrojů nebo v nabídce **Capture** (Snímání) zvolte možnost **Photo**. Na pravé straně hlavního okna se zobrazí náhled snímku. Klikněte na příslušnou ikonu v panelu nástrojů nebo v nabídce **Capture** (Snímání) zvolte možnost **Video**.

Poznámka: během nahrávání se barva ikona kamery v panelu nástrojů změní na červenou. Dalším kliknutím na tuto ikonu nahrávání ukončíte.

Náhledy statických snímků i videozáznamů se zobrazují na pravé straně hlavního okna aplikace.

Dvojitým kliknutím na náhled obrázků jej otevřete v samostatném okně náhledu. Úpravy obrázků pomocí aplikace PortableCapture Pro se provádějí obdobně jako při práci s jinými aplikacemi v systému Mac OS.

Péče a údržba

Nikdy, za žádných okolností se tímto přístrojem neďivejte přímo do slunce, jiného světelného zdroje nebo laseru, neboť hrozí nebezpečí TRVALÉHO POŠKOZENÍ SÍTNICE a případně i OSLEPNUTÍ. Bílé LED žárovky jsou velmi jasné; neďivejte se přímo do nich, hrozí nebezpečí trvalého poškození zraku. Při použití tohoto přístroje dětmi nebo osobami, které tento návod nečetly nebo s jeho obsahem nebyly plně seznámeny, uplatněte nezbytná preventivní opatření. Nepokoušejte se přístroj sami rozebírat. S opravami veškerého druhu se obračete na své místní specializované servisní středisko. Po vybalení mikroskopu a před jeho prvním použitím zkontrolujte neporušenost jednotlivých komponent a spojů. Nedotýkejte se svými prsty povrchů optiky. K vyčištění čoček můžete použít měkký ubrousek nebo čisticí utěrky navlhčené v éteru, případně v čistém alkoholu. Doporučujeme používat speciální čisticí prostředky na optiku značky Levenhuk. K čištění optiky nepoužívejte žádné žíraviny ani kapaliny na acetonové bázi. Abrazivní částice, například písek, by se neměly z čoček otírat, ale sfouknout nebo smést měkkým kartáčkem. Při zaostřování nevyvíjejte nadměrný tlak. Neutahujte šrouby konstrukce příliš silně. Přístroj chraňte před prudkými nárazy a nadměrným mechanickým namáháním. Přístroj ukládejte na suchém, chladném místě, mimo dosah možných zdrojů prachu, nebezpečných kyselin nebo jiných chemikálií, topných těles, otevřeného ohně a jiných zdrojů vysokých teplot. Přístroj příliš dlouho nepoužívejte ani neponechávejte bez dozoru na přímém slunci. Chraňte přístroj před stykem s vodou. Při pozorování dbejte na opatrnost; po skončení pozorování vždy nasadte ochranný kryt, abyste mikroskop ochránili před prachem a jiným znečištěním. Pokud svůj mikroskop nebudete delší dobu používat, uložte čočky objektivu a okuláru odděleně od samotného mikroskopu. Chcete-li předejít ztrátě dat nebo poškození zařízení, vždy nejprve zavřete aplikaci a teprve poté odpojte mikroskop od svého počítače. Počkejte, až osvětlení zcela zhasne, a pak odpojte mikroskop. Při náhodném požití malé součásti nebo baterie ihned vyhledejte lékařskou pomoc.

Bezpečnostní pokyny týkající se baterií

Vždy nakupujte baterie správné velikosti a typu, které jsou nejvhodnější pro zamýšlený účel. Při výměně vždy nahraďte celou sadu baterií a dbejte na to, abyste nemíchali staré a nové baterie, případně baterie různých typů. Před instalací baterií vyčistěte kontakty na baterii i na přístroji. Ujistěte se, zda jsou baterie instalovány ve správné polaritě (+ resp. -). V případě, že zařízení nebudete delší dobu používat, vyjměte z něj baterie. Použité baterie včas vyměňujte. Baterie se nikdy nepokoušejte dobít, mohlo by dojít k úniku obsahu baterie, požáru nebo k explozi. Baterie nikdy nezkratujte, mohlo by to vést ke zvýšení teploty, úniku obsahu baterie nebo k explozi. Baterie se nikdy nepokoušejte oživit zahříváním. Po použití nezapomeňte přístroj vypnout. Baterie uchovávejte mimo dosah dětí, abyste předešli riziku spolknutí, vdechnutí nebo otravy.

Technické údaje

Obrazový snímač	5 Mpx (interpolací 12 Mpx)
Zvětšení	20x–200x–500x
Dostupná rozlišení obrazu	12 Mpx, 8 Mpx, 5 Mpx, 3 Mpx, 1,3 Mpx, VGA
Foto/Video	*.jpeg/*.avi
Formát karty	microSD až 32Gb (není součástí sady)
Objektiv	Vysoce kvalitní čočka
Displej	3,5" TFT displej, poměr stran 4:3
Osvětlení	Systém s 8 LED žárovkami, s regulací jasu
Napájení	Baterie Li-ion (3,7 V/1050 mAh) Provozní doba: 2 hodiny, doba nabíjení: 2 hodiny
Snímková rychlost	30 fps
Napájecí kabel	100–240 V, 50/60 Hz; výstup 5 V, 1 A
Jazyk OS	Angličtina, němčina, francouzština, španělština, italština, portugalština, japonština, čínština
Jazyk software	Angličtina, němčina, francouzština, španělština, ruština, italština, portugalština, polština, holandština, japonština, korejština, čínština
Rozměry (výška x šířka x hloubka)	227 x 104 x 149 mm
Hmotnost	760 g (včetně baterie)

Společnost Levenhuk si vyhrazuje právo provádět bez předchozího upozornění úpravy jakéhokoliv výrobku, případně zastavit jeho výrobu.

Systémové požadavky

Operační systém: Windows XP SP2/Vista/7/8, Mac 10.6–10.8
CPU: minimálně P4 1,8 GHz, RAM: 512 MB, rozhraní: USB 2.0.

Mezinárodní doživotní záruka Levenhuk

Na veškeré teleskopy, mikroskopy, triedry a další optické výrobky značky Levenhuk, s výjimkou příslušenství, se poskytuje doživotní záruka pokrývající vady materiálu a provedení. Doživotní záruka je záruka platná po celou dobu životnosti produktu na trhu. Na veškeré příslušenství značky Levenhuk se poskytuje záruka toho, že je dodáváno bez jakýchkoli vad materiálu a provedení, a to po dobu dvou let od data zakoupení v maloobchodní prodejně. Společnost Levenhuk provede opravu či výměnu výrobku nebo jeho části, u nichž se po provedení kontroly společností Levenhuk prokáže výskyt vad materiálu nebo provedení. Nezbytnou podmínkou toho, aby společnost Levenhuk splnila svůj závazek provést opravu nebo výměnu takového výrobku, je předání výrobku společně s dokladem o nákupu vystaveným ve formě uspokojivé pro Levenhuk. Tato záruka se nevztahuje na spotřební materiál, jako jsou žárovky (klasické, LED, halogenové, úsporné a jiné typy žárovek), baterie (akumulátory i jednorázové baterie), elektromontážní spotřební materiál apod.

Další informace – navštivte naše webové stránky: www.levenhuk.cz/zaruka

Levenhuk DTX 500 LCD

Digitales Mikroskop

DE

Mikroskopkomponenten

- | | | | |
|---|--------------------------|----|---------------------------|
| 1 | LCD-Display | 9 | Helligkeits-Stellrad |
| 2 | MicroSD-Karteneinschub | 10 | Vergrößerungs-Einstellrad |
| 3 | Feinfokussierknopf | 11 | Buchse für Netzkabel |
| 4 | Optischer Mikroskopstubs | 12 | Cinch-Buchse |
| 5 | Objektstisch | 13 | USB-Buchse |
| 6 | Grobfokussierknopf | 14 | Batteriefach |
| 7 | Fokus-Arretierknopf | 15 | Batteriestandsanzeige |
| 8 | Auslöser-Taste | 16 | Funktionstasten |

Lieferumfang: Mikroskop, Lithium-Ionen-Akku, Stromkabel, Levenhuk DTX Installations-CD, USB-Schnittstelle, Cinch-Kabel (RCA), Bedienungsanleitung, Reinigungstuch, Kalibrierungsskala.

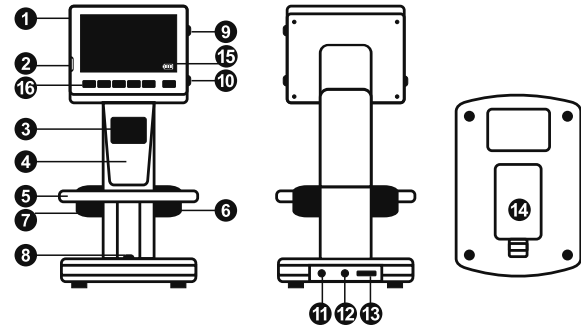
Zusammenbau des Mikroskops

Öffnen Sie das Batteriefach an der Unterseite des Mikroskopsockels. Legen Sie die Batterie in das Batteriefach ein. Achten Sie dabei auf korrekte Polung. Die Batterie muss vor dem ersten Einschalten des Mikroskops vollständig aufgeladen werden. Stecken Sie das Netzteilkabel in die Buchse am Sockel (11) des Mikroskops und schließen Sie das Netzteil an eine Stromquelle an. Die Batteriestandsanzeige (15) leuchtet rot auf. Die Anzeige erlischt, wenn die Batterie vollständig geladen ist. Anschließend können Sie das Mikroskop von der Stromquelle trennen und einschalten. Eine Batterieladung reicht für zwei Stunden Mikroskopbetrieb. Bei niedrigem Ladestand der Batterie wird die Beleuchtung abgedunkelt und die Bildqualität reduziert. Wenn dies geschieht, laden Sie die Batterie wie oben beschrieben.

Zum Speichern von Bild- und Videoaufnahmen ist eine microSD-Karte (separat erhältlich) erforderlich. Schalten Sie das Mikroskop aus und schieben Sie die microSD-Karte in den microSD-Schlitz am Mikroskopsockel ein, bis sie mit einem Klicken einrastet. Wenn Sie beim Einführen der microSD-Karte keine übermäßige Kraft an. Falls sich die Karte nicht leicht einrasten lässt, führen Sie sie anders herum ein. Formatieren Sie die Karte vor der Verwendung.

Einschalten des Mikroskops: drücken Sie den Einschalter (16). Ausschalten des Mikroskops: drücken Sie den Einschalter (16) erneut (weitere Informationen finden Sie unter Strom sparen).

Richten Sie das Instrument unter keinen Umständen direkt auf die Sonne, andere helle Lichtquellen oder Laserquellen. Es besteht die Gefahr DAUERHAFTER NETZZHAUTSCHÄDEN und ERBLINDUNGSGEFAHR.



Einzelbildmodus



Aufnahmereihe

00013/01618

Bildzähler/Anzahl möglicher Aufnahmen mit aktueller Auflösungsmicro



SD-Statussymbol

5.0M

Aktuelle Bildauflösung



Batteriestandsanzeige

Hinweis: Die Symbole der Benutzerführung lassen sich durch Drücken auf das Vergrößerungs-Einstellrad (9) ausblenden.

Arbeiten mit dem Mikroskop

Aufnehmen eines Bilds

Schalten Sie das Mikroskop ein und platzieren Sie eine Probe auf dem Objektisch. Regeln Sie die Helligkeit der Beleuchtung so, dass die Probe gleichmäßig ausgeleuchtet ist. Ändern Sie die Vergrößerung, stellen Sie, sofern erforderlich, das Bild scharf und arretieren Sie die Einstellung mit dem Fokus-Arretierknopf (7). Drücken Sie den Auslöser (8).

Aufzeichnen eines Videos

Drücken Sie die Taste ◀ (16), um in den Videomodus zu wechseln. Das Symbol oben links im Bildschirm zeigt den Videomodus an. Drücken Sie einmal auf den Auslöser (8), um die Aufzeichnung zu starten, und ein weiteres Mal, um sie zu stoppen.

Abspielen aufgezeichneter Videos

Drücken Sie die Taste ◀ (16), um in den Abspielmodus zu wechseln. Das Symbol oben links im Bildschirm zeigt den Abspielmodus an. Wählen Sie mit den Pfeiltasten (16) einen Videoclip aus, und drücken Sie **OK**, um ihn abzuspielen.

Löschen von Dateien

Drücken beim Durchsehen gespeicherter Dateien die Schraubenschlüssel-Taste (16), wählen Sie **Delete** (Löschen) und drücken Sie **OK**, um die Auswahl zu bestätigen. (Ein Menü wird angezeigt, in dem Sie auswählen können, ob Sie alles löschen möchten oder nur die gerade ausgewählte Datei.)

Schützen von Dateien

Drücken beim Durchsehen gespeicherter Dateien die Schraubenschlüssel-Taste (16), wählen Sie **Protect** (Schützen) und drücken Sie **OK**, um die Auswahl zu bestätigen. (Ein Menü wird angezeigt, in dem Sie auswählen können, ob Sie alles schützen möchten oder nur die gerade ausgewählte Datei.)

Diashow

Drücken Sie beim Durchsehen gespeicherter Dateien die Schraubenschlüssel-Taste (16), wählen Sie **Slide Show** (Diashow), und bestätigen Sie mit **OK**.

Farbe der Benutzerführung

Drücken Sie beim Durchsehen gespeicherter Dateien die Taste ▲, um zwischen verschiedenen Farbmodi umzuschalten.

Vergrößerung

Drehen Sie am Vergrößerungs-Einstellrad (10), um die Ansicht ein- oder auszuzoomen.

Hinweis: Der Vergrößerungsbereich des Levenhuk DTX 500 LCD ist 1x bis 4x.

Übertragen von Dateien an einen Computer

Schließen Sie das Mikroskop mit einem USB-Kabel an den Computer an. Wenn das Fenster für automatische Wiedergabe angezeigt wird, wählen Sie die Verwendung des Mikroskops als externes Speichergerät.

Hauptmenü

Drücken Sie die Schraubenschlüssel-Taste ◀(16), um das Hauptmenü zu öffnen. In diesem Menü können Sie die Bildauflösung, die Bildqualität und die Bildschärfe einstellen sowie Parameter für Aufnahmereihen festlegen.

Auflösung

Wählen Sie im Hauptmenü die Option **Resolution** (Auflösung) und wählen Sie dann die gewünschte Bildauflösung. Bestätigen Sie mit **OK**.

Hinweis: Dieses Modell unterstützt die folgenden Auflösungen: VGA / 1,3M / 3M / 5M / 8M / 12M.

Aufnahmereihe

Wählen Sie im Hauptmenü die Option **Timer** (Zeitgeber) und stellen Sie im Dialogfelder **Frames** (Einzelbilder) die Gesamtanzahl der aufzunehmenden Bilder. Bestätigen Sie die Auswahl mit **OK**. Ein weiteres Dialogfenster wird angezeigt, in dem Sie mit den Tasten ▲ und ▼ das Intervall zwischen den einzelnen Aufnahmen einstellen können. Bestätigen Sie mit **OK** und kehren Sie mit ◀ in den Aufnahmemodus zurück.. Drücken Sie den Auslöser, um mit der Aufnahmereihe zu beginnen. Zur Bestätigung ändert sich das Symbol oben links. Nachdem die eingestellte Anzahl Bilder aufgenommen wurde, kehrt der Bildschirm in den Standardaufnahmemodus zurück. Sie können eine Aufnahmereihe auch jederzeit durch Drücken des Auslösers beenden.

Qualität

Wählen Sie im Hauptmenü die Option **Quality** (Qualität) und wählen Sie eine der angebotenen Einstellungen. Diese Option ändert die Kompressionsrate der aufgenommenen Bilder.

Schärfe

Wählen Sie im Hauptmenü die Option **Sharpness** (Schärfe) und wählen Sie eine der angebotenen Einstellungen.

Sprache

Wählen Sie im Hauptmenü die Option **Language** (Sprache) und wählen Sie eine der angebotenen Einstellungen. Bestätigen Sie mit **OK**.

Strom sparen

Wählen Sie im Hauptmenü die Option **Power Save** (Strom sparen) und stellen Sie die Zeit ein, nach der sich das Mikroskop bei Ausbleiben von Benutzereingaben automatisch abschaltet.

Displayfrequenz

Wählen Sie im Hauptmenü die Option **Frequency** (Frequenz) und wählen Sie eine der angebotenen Einstellungen. Bestätigen Sie mit **OK**.

Datum- und Zeitanzeige

Wählen Sie im Hauptmenü die Option **Date Stamp** (Zeitstempel) und wählen Sie eine der angebotenen Einstellungen. Sie können nur das Datum oder sowohl Datum als auch Zeit anzeigen lassen. Bestätigen Sie mit **OK**.

TV-Verbindung

Wählen Sie im Hauptmenü die Option **TV Out** (TV-Ausgang) und wählen Sie eine der angebotenen Einstellungen. Bestätigen Sie mit **OK**.

Datum und Uhrzeit

Wählen Sie im Hauptmenü die Option **Date/Time** (Datum/Zeit) und wählen Sie eine der angebotenen Einstellungen. Bestätigen Sie mit **OK**. Sie können auch eines der folgenden Datumsformate auswählen: JJ/MM/DD, DD/MM/JJ oder MM/DD/JJ.

SD-Karte formatieren

Wählen Sie im Hauptmenü die Option **Format SD** (SD formatieren), um die eingelegte Speicherkarte zu formatieren.

Einstellungen zurücksetzen

Wählen Sie im Hauptmenü die Option **Sys. Reset** (Systemreset) aus, um die Werkseinstellungen wiederherzustellen.

Hardwareversion

Wählen Sie im Hauptmenü die Option Version, um die aktuelle Hardwareversion anzuzeigen.

PortableCapture Pro software

Legen Sie die Installations-CD ins CD-Laufwerk ein. Das Hauptmenü wird angezeigt. Klicken Sie auf **PortableCapture software**, um die Anwendung zu installieren, und folgen Sie den angezeigten Anweisungen. Beachten Sie, dass während der Installation ein Systemneustart erforderlich ist.

Schließen Sie das Mikroskop mit einem USB-Kabel an den Computer an. Wenn das Fenster für automatische Wiedergabe angezeigt wird, wählen Sie die Verwendung des Mikroskops als Kamera. Führen Sie die Anwendung PortableCapture Pro aus.

Hinweis: Wenn das Mikroskop als Kamera mit einem Computer verbunden ist, sind die Funktionstasten deaktiviert. Das Mikroskop wird über PortableCapture HD bedient. Alle Bilder und Videos werden auf der Festplatte des Computers gespeichert.



Bild aufnehmen



Videoaufnahme starten und stoppen



Aufnahmereihe (Startzeitpunkt, Intervall zwischen den einzelnen Bildern bzw. Videos, Videodauer und Anzahl der aufzunehmenden Bilder bzw. Videos sind wählbar)



Vollbildansicht. Zum Verlassen der Vollbildansicht **Esc** drücken oder irgendwo auf dem Bildschirm doppelklicken



Speichern



Zeichnung



In die Zwischenablage kopieren



Hinweis



Datei kopieren



Messung



Vorherige



Kalibrierung



Nächste



Rückgängig



Wiederherstellen

Datei

Foto-Verzeichnis: Verzeichnis zum Speichern aufgenommener Bilder wählen.

Video-Verzeichnis: Verzeichnis zum Speichern aufgezeichneter Videos wählen.

Optionen

Auflösung: Bildauflösung wählen.

Datum/Zeit: Datum und Uhrzeit der Aufnahme bei der Voransicht ausblenden oder anzeigen.

Sprache: Sprache der Benutzeroberfläche ändern.

Fadenkreuz: Gitter auf den Bildern anzeigen oder ausblenden.

Vollbildansicht: In Vollbildansicht wechseln.

Erfassen

Foto: Bild aufnehmen.

Video: Video aufzeichnen.

Aufnehmen eines Bilds. Klicken Sie auf das entsprechende Symbol in der Symbolleiste, oder wählen Sie im Menü **Erfassen** den Eintrag **Foto**.

Aufzeichnen eines Videos. Klicken Sie auf das entsprechende Symbol in der Symbolleiste, oder wählen Sie im Menü **Erfassen** den Eintrag **Video**.

Aufnahmereihe

Klicken Sie auf das entsprechende Symbol in der Symbolleiste. Es wird ein Dialogfenster angezeigt, in dem Sie eine Reihe von Parametern für die Erfassung von Bild- und Videosequenzen einstellen können. Klicken Sie für Bilder auf das Optionsfeld **Foto** und legen Sie den Anfangszeitpunkt der Aufnahmereihe, die Intervalle zwischen den Aufnahmen und die Gesamtzahl der aufzunehmenden Bilder fest. Klicken Sie für Videos auf das Optionsfeld **Video** und legen Sie den Anfangszeitpunkt der Aufnahmereihe, die Dauer der einzelnen Videos, das Intervall und die Gesamtzahl aufzunehmender Videos an.

Kalibrieren

Schalten Sie die Gitteranzeige ein, bevor Sie das Mikroskop kalibrieren. Wählen Sie dazu im Menü **Optionen** unter dem Eintrag **Fadenkreuz** die Option **ein**. Standardmäßig ist das Fadenkreuz sichtbar. Legen Sie die Kalibrierungsskala auf den Objektisch und stellen Sie das Bild scharf. Die vertikale Achse des Fadenkreuz muss parallel zur Skalenteilung verlaufen. Nehmen Sie ein Bild auf. Klicken Sie doppelt auf die Miniaturansicht des Bilds, um es in einem separaten Fenster zu öffnen. Starten Sie die Kalibrierung, indem Sie auf das entsprechende Symbol in der Symbolleiste klicken. Wählen Sie mit der Maus zwei Punkte auf dem Bild, deren tatsächlichen Abstand Sie kennen. Nachdem Sie den zweiten Punkt ausgewählt haben, öffnet sich ein Dialogfenster. Tragen Sie im Feld **Istmaß** den bekannten Abstand ein.. Die Anwendung berechnet automatisch die Vergrößerung des Bilds. Klicken Sie auf **OK**. Das Dialogfenster wird geschlossen. Die berechnete Vergrößerung wird im Feld **Vergrößerung** angezeigt.

Hinweis: Die gewählten Punkte müssen auf einer horizontalen Linie liegen.

Zum Überprüfen der Kalibrierung können Sie mit dem Instrument **Abstand** erneut denselben Abstand vermessen. Klicken Sie auf das Messungen-Symbol, wählen Sie das Instrument **Abstand** und zeichnen Sie die entsprechende Linie auf dem Bild. Ist der gemessene Abstand gleich dem tatsächlichen Abstand, war die Kalibrierung erfolgreich.

Neukalibrierung

Wird während der Beobachtung die Vergrößerung oder die Scharfstellung verändert, muss die Kalibrierung wiederholt werden. Klicken Sie erneut auf das entsprechende Symbol in der Symbolleiste und wählen Sie unter **Vergrößerung zurücksetzen** die Option **Bildvergrößerung zurücksetzen**. Wiederholen Sie den Kalibriervorgang wie oben beschrieben. Ändern Sie die Vergrößerung und nehmen Sie einige Bilder auf. Klicken Sie doppelt auf die Miniaturansichten, um das entsprechende Bild in einem Vorschaufenster anzuzeigen. Klicken Sie in der Symbolleiste auf das Kalibrierungssymbol und wählen Sie unter **Vergrößerung einstellen** die Option **Bildvergrößerung einstellen**. Geben Sie in dem Dialogfenster, das angezeigt wird, die aktuelle Vergrößerung ein, und klicken Sie auf **OK**. Wenn Sie bei der Aufnahme von Bildern später dieselbe Vergrößerung erneut verwenden, klicken Sie auf das Kalibrierungssymbol in der Symbolleiste und wählen Sie unter **Vergrößerung einstellen** die Option **Vorschauvergrößerung einstellen**.

Messungen

Bevor Sie mit der Messung beginnen, muss das System kalibriert werden.

Abstand.

Klicken Sie auf den Anfangspunkt der gewünschten Linie und halten Sie die linke Maustaste gedrückt. Ziehen Sie die Maus zum Endpunkt der Linie und lassen Sie die linke Maustaste los.

Linienzug

Mit diesem Instrument können Sie einen Linienzug auf dem Bild zeichnen und ihre Gesamtlänge messen.

Radius

Zeichnen Sie eine gerade Linie auf dem Bild. Die Anwendung berechnet automatisch den Radius sowie den Umfang und die Fläche des zu diesem Radius gehörigen Kreises.

Durchmesser

Zeichnen Sie eine gerade Linie auf dem Bild. Die Anwendung berechnet automatisch den Durchmesser sowie den Umfang und die Fläche des zu diesem Durchmesser gehörigen Kreises.

3 Punkte Winkel.

Platzieren Sie mit der Maus drei Punkte auf dem Bild. Die Anwendung berechnet automatisch den eingeschlossenen Winkel.

Zeichnen und Beschriften

Mit PortableCapture Pro können Sie auf Ihren Bildern zeichnen oder sie mit Hinweisen versehen. Öffnen Sie ein Bild in einem Vorschaufenster und klicken Sie auf das Bleistiftsymbol in der Symbolleiste. Wählen Sie eines der Werkzeuge aus dem Dropdown-Menü und zeichnen Sie etwas auf dem Bild. Zum Ändern der Schriftart und –farbe von Hinweisen können Sie auf das **TT** Symbol in der Symbolleiste klicken.

Verwenden der Anwendung unter Mac OS

Öffnen Sie den Ordner **mac** auf der Installations-CD und kopieren Sie die Datei **PortableCapture Pro** auf den Schreibtisch. Schließen Sie das Mikroskop mit einem USB-Kabel an Ihren Computer an. Führen Sie das Programm „PortableCapture Pro“ aus. Klicken Sie dazu doppelt auf sein Symbol.

Das Hauptfenster des Programms zeigt ein vergrößertes Bild der beobachteten Probe. Wählen Sie zum Einstellen der Bildauflösung im Menü **Options** (Optionen) den Eintrag **Preview Size** (Voransichtsgröße). Denken Sie daran, dass die Größe des Voransichtsfensters nicht verändert werden kann (Standardauflösung: 640x480). Die Bildauflösung wird unten links im Voransichtsfenster angezeigt.

Wählen Sie im Menü **Optionen** den Eintrag **Datum/Zeit**, um Datum und Uhrzeit der Aufnahme bei der Voransicht ausblenden oder anzuzeigen.

Um ein Bild aufzunehmen, wählen Sie im Menü **Capture** (Erfassen) den Eintrag **Photo** (Foto), oder klicken Sie auf das entsprechende Symbol in der Symbolleiste. Rechts im Hauptfenster erscheint eine Foto-Miniaturansicht. Um ein Video aufzunehmen, wählen Sie im Menü **Capture** (Erfassen) den Eintrag **Video** (Video), oder klicken Sie auf das entsprechende Symbol in der Symbolleiste. Rechts im Hauptfenster erscheint eine Video-Miniaturansicht.

Hinweis: Bei der Videoaufnahme wird das Camcorder-Symbol in der Symbolleiste rot. Klicken Sie erneut auf das Symbol, um die Aufnahme zu beenden.

Rechts im Hauptfenster des Programms werden Miniaturansichten der aufgenommenen Fotos und Videos angezeigt. Klicken Sie doppelt auf eine Miniaturansicht, um das zugehörige Bild in einem separaten Fenster zu öffnen. Das Bearbeiten von Bildern mit PortableCapture Pro erfolgt analog zur Arbeit mit anderen Programmen unter Mac OS.

Pflege und Wartung

Richten Sie das Instrument ohne Spezialfilter unter keinen Umständen direkt auf die Sonne, andere helle Lichtquellen oder Laserquellen. Es besteht die Gefahr DAUERHAFTER NETZZHAUTSCHÄDEN und ERBLINDUNGSGEFAHR. Weiße LEDs sind sehr hell. Nicht direkt in die LEDs blicken. Gefahr dauerhafter Augenschäden! Treffen Sie geeignete Vorsichtsmaßnahmen, wenn Kinder oder Menschen das Instrument benutzen, die diese Anleitung nicht gelesen bzw. verstanden haben. Prüfen Sie nach dem Auspacken des Mikroskops und vor der ersten Verwendung die einzelnen Komponenten und Anschlüsse auf Unversehrtheit und Beständigkeit. Versuchen Sie egal aus welchem Grunde nicht, das Instrument selbst auseinanderzubauen. Wenden Sie sich für Reparaturen oder zur Reinigung an ein spezialisiertes Servicecenter vor Ort. Schützen Sie das Instrument vor plötzlichen Stößen und übermäßiger mechanischer Krafteinwirkung. Üben Sie beim Fokussieren keinen übermäßigen Druck aus. Ziehen Sie die Arretierungsschrauben nicht zu fest an. Berühren Sie die optischen Flächen nicht mit den Fingern. Verwenden Sie zur äußerlichen Reinigung des Teleskops ausschließlich die speziellen Reinigungstücher und das spezielle Optik-Reinigungszubehör von Levenhuk. Schleifkörper wie Sandkörner dürfen nicht abgewischt werden. Sie können sie wegblasen oder einen weichen Pinsel verwenden. Das Instrument ist nicht für Dauerbetrieb ausgelegt. Lassen Sie das Instrument nicht in direktem Sonnenlicht zurück. Halten Sie das Instrument von Wasser und hoher Feuchtigkeit fern. Tauchen Sie es nicht in Wasser ein. Lassen Sie Sorgfalt bei der Beobachtung walten und setzen Sie nach Abschluss der Beobachtung die Staubabdeckung wieder auf, um das Gerät vor Staub und Verschmutzungen zu schützen. Bewahren Sie bei längeren Phasen der Nichtbenutzung die Objektivlinsen und Okulare getrennt vom Mikroskop auf. Lagern Sie das Instrument an einem trockenen, kühlen Ort, der frei von gefährlichen Säuren und anderen Chemikalien ist, und in ausreichendem Abstand zu Heizgeräten, offenem Feuer und anderen Hochtemperaturquellen. Das Instrument ist nicht für Dauerbetrieb ausgelegt. Schließen Sie immer erst die Anwendung, bevor Sie das Mikroskop vom PC trennen, um Datenverluste und Beschädigungen am Gerät zu vermeiden. Warten Sie, bis die Beleuchtung vollständig abgeschaltet ist, und trennen Sie erst dann die Verbindung zum Mikroskop. Bei Verschlucken eines Kleinteils oder einer Batterie umgehend ärztliche Hilfe suchen!

Sicherheitshinweise zum Umgang mit Batterien

Immer die richtige, für den beabsichtigten Einsatz am besten geeignete Batteriegröße und -art erwerben. Stets alle Batterien gleichzeitig ersetzen. Alte und neue Batterien oder Batterien verschiedenen Typs nicht mischen. Batteriekontakte und Kontakte am Instrument vor Installation der Batterien reinigen. Beim Einlegen der Batterien auf korrekte Polung (+ und -) achten. Batterien entnehmen, wenn das Instrument für einen längeren Zeitraum nicht benutzt werden soll. Verbrauchte Batterien umgehend entnehmen. Primärbatterien nicht wieder aufladen! Beim Aufladen von Primärbatterien können diese auslaufen; außerdem besteht Feuer- und Explosionsgefahr. Batterien nicht kurzschließen, um Hitzeentwicklung, Auslaufen oder Explosionen zu vermeiden. Batterien dürfen nicht zum Wiederbeleben erwärmt werden. Instrumente nach Verwendung ausschalten. Batterien für Kinder unzugänglich aufbewahren, um Verschlucken, Ersticken und Vergiftungen zu vermeiden.

Technische Daten

Bildsensor	5 Mpx (interpoliert bis 12 Mpx)
Vergrößerung	20x–200x–500x
Mögliche Bildauflösungen	12 Mpx, 8 Mpx, 5 Mpx, 3 Mpx, 1,3 Mpx, VGA
Foto-/Videoformat	*.jpeg/*.avi
Speicherkarte	microSD bis 32 GB (nicht im Lieferumfang)
Objektivlinse	Hochwertige Linse
Display	3,5"-TFT-Display, Seitenverhältnis 4:3
Beleuchtung	8-LED-System mit variabler Helligkeit
Stromquelle	Lithium-Ionen-Akku (3.7 V/1050 mAh) Betriebsdauer: 2 Stunden, Ladedauer: 2 Stunden
Einzelbildrate	30 fps
Netzteilkabel	Eingang: 100–240 V, 50/60 Hz; Ausgang: 5 V, 1 A
Sprache der Benutzerführung	Englisch, Deutsch, Spanisch, Italienisch, Französisch, Portugiesisch, Japanisch, Chinesisch
Software-Sprachen	Englisch, Deutsch, Spanisch, Russisch, Italienisch, Französisch, Portugiesisch, Niederländisch, Polnisch, Japanisch, Koreanisch, Chinesisch
Abmessungen (B x H x T)	227 x 104 x 149 mm
Gewicht	760 g (with the battery)

Levenhuk behält sich das Recht vor, Produkte ohne vorherige Ankündigung zu modifizieren oder einzustellen.

Systemanforderungen

Betriebssystem: Windows XP/Vista/7/8, Mac 10.6~10.8

CPU: Mindestens P4 1,8 GHz, RAM: 512 MB, GPU: 64 MB, Schnittstelle: USB 2.0

Zur Installation der Anwendung PortableCapture Pro wird ein CD-Laufwerk benötigt.

Lebenslange internationale Garantie

Levenhuk garantiert für alle Teleskope, Mikroskope, Ferngläser und anderen optischen Erzeugnisse mit Ausnahme von Zubehör lebenslänglich die Freiheit von Material- und Herstellungsfehlern. Die lebenslange Garantie ist eine Garantie, die für die gesamte Lebensdauer des Produkts am Markt gilt. Für Levenhuk-Zubehör gewährleistet Levenhuk die Freiheit von Material- und Herstellungsfehlern innerhalb von zwei Jahren ab Kaufdatum. Produkte oder Teile davon, bei denen im Rahmen einer Prüfung durch Levenhuk ein Material- oder Herstellungsfehler festgestellt wird, werden von Levenhuk repariert oder ausgetauscht. Voraussetzung für die Verpflichtung von Levenhuk zu Reparatur oder Austausch eines Produkts ist, dass dieses zusammen mit einem für Levenhuk ausreichenden Kaufbeleg an Levenhuk zurückgesendet wird. Diese Garantie erstreckt sich nicht auf Verbrauchsmaterialien wie Leuchtmittel (Glühlampen, LEDs, Halogen- und Energiesparlampen u. a.), Batterien (wiederaufladbare Akkus und nicht wiederaufladbare Batterien), elektrisches Verbrauchsmaterial usw.

Weitere Einzelheiten entnehmen Sie bitte unserer Website:

<http://de.levenhuk.com/garantie>

Levenhuk DTX 500 LCD

Microscopio digital

ES

Partes del microscopio

- | | | | |
|---|------------------------------|----|--------------------------------------|
| 1 | Pantalla LCD | 9 | Rueda de ajuste del brillo |
| 2 | Ranura para tarjetas MicroSD | 10 | Rueda de ajuste de la ampliación |
| 3 | Mando de enfoque fino | 11 | Conector del cable de alimentación |
| 4 | Tubo óptico del microscopio | 12 | Conector RCA |
| 5 | Platina | 13 | Puerto USB |
| 6 | Mando de enfoque grueso | 14 | Compartimento de las baterías |
| 7 | Mando de bloqueo de enfoque | 15 | Indicador del estado de las baterías |
| 8 | Botón del disparador | 16 | Teclas de función |

El kit incluye: microscopio, batería recargable, cable de alimentación, cable USB, cable RCA, CD de instalación Levenhuk DTX, paño de limpieza, escala de calibrado, guía del usuario.

Montaje del microscopio

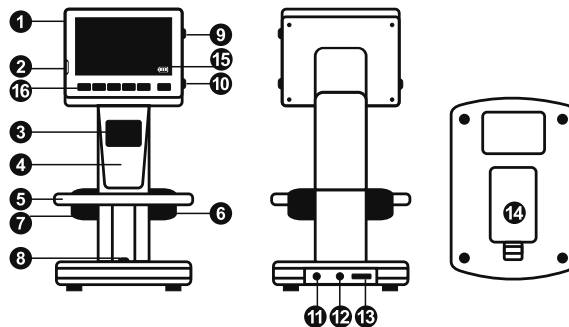
Abra el compartimento de las baterías en la parte inferior de la base del microscopio. Inserte la batería en el compartimento de las baterías haciendo coincidir la polaridad indicada.

La batería debe estar completamente cargada antes de encender el microscopio por primera vez. Enchufe el cable de alimentación en el conector para el cable de alimentación del cuerpo del microscopio (11) y conéctelo a un enchufe. El indicador del estado de la batería (15) se iluminará en rojo. Cuando la batería esté completamente cargada el indicador se apagará. Ahora puede desconectar el microscopio de la fuente de alimentación y encenderlo. La batería totalmente cargada le permite usar el microscopio durante dos horas. La intensidad de la iluminación y la calidad de la imagen disminuirán para informarle de que le queda poca batería. Cargue la batería siguiendo las instrucciones anteriores.

Es necesaria una tarjeta MicroSD (se compra por separado) para guardar las imágenes capturadas y los videos grabados. Apague el microscopio e inserte la tarjeta MicroSD en la ranura correspondiente en el cuerpo del microscopio hasta que se fije con un clic. No haga demasiada fuerza cuando inserte la tarjeta MicroSD. Intente rotar la tarjeta si no se fija fácilmente. Formatee la tarjeta antes de usarla.

Encender el microscopio: presione el botón de encendido (16). Apagar el microscopio: presione el botón de encendido (16) de nuevo (consulte la sección de Ahorro de energía para más información).

Nunca mire al Sol ni a otra fuente de luz intensa ni a un láser bajo ninguna circunstancia, ya que podría causarle DAÑOS PERMANENTES EN LA RETINA y podría provocar CEGUERA.



Icono del modo de captura de imagen



Icono del modo de captura de secuencia

00013/01618

Contador de imágenes capturadas/Número total de imágenes que se pueden capturar (según la resolución actual)



Icono del estado de la MicroSD

5.0M

Resolución de imagen actual



Indicador del estado de la batería

Nota: los iconos de la interfaz pueden ocultarse presionando la rueda de ajuste de la ampliación (9).

Uso del microscopio

Capturar una imagen

Encienda el microscopio y sitúe un espécimen en la platina. Ajuste el brillo de la luz de manera que el espécimen quede bien iluminado. Cambie la ampliación y enfoque de la vista si es necesario. A continuación fije los resultados con el mando de bloqueo de enfoque (7). Presione el botón disparador (8).

Grabar un vídeo

Pulse la tecla ◀ (16) para pasar al modo de vídeo. El icono en la esquina superior izquierda de la pantalla cambiará para confirmar. Presione el botón disparador (8) para comenzar a grabar y vuelva a presionarlo para parar.

Reproducir vídeos grabados

Pulse la tecla ◀ (16) para pasar al modo de reproducción. El icono en la esquina superior izquierda de la pantalla cambiará para confirmar. Seleccione el clip de vídeo deseado con las teclas de desplazamiento (16) y pulse **OK** para reproducirlo.

Borrar archivos

Cuando navegue por los archivos guardados, pulse la tecla **Wrench** ("Llave inglesa") (16), seleccione **Delete...** ("Borrar...") y pulse **OK** para confirmar la selección (puede elegir entre borrarlo todo o solo el archivo seleccionado en el menú).

Proteger archivos

Cuando navegue por los archivos guardados, pulse la tecla **Wrench** ("Llave inglesa") (16), seleccione **Protect** ("Proteger") y pulse **OK** para confirmar la selección (puede elegir entre protegerlo todo o solo el archivo seleccionado en el menú).

Pase de diapositivas

Cuando navegue por los archivos guardados, pulse la tecla **Wrench** ("Llave inglesa") (16), seleccione **Slide Show** ("Pase de diapositivas") y pulse **OK** para confirmar la selección.

Modo del color de la interfaz

Cuando navegue por los archivos guardados, pulse la tecla ▲ para cambiar entre los modos de color de la interfaz existentes.

Ampliación

Gire la rueda de ajuste de la ampliación (10) para acercar o alejar la vista.
Nota: el rango de ampliación del Levenhuk DTX 500 LCD es 1x-4x.

Transferir archivos a un ordenador

Conecte el microscopio al ordenador mediante un cable USB y cuando aparezca la ventana de AutoPlay ("Reproducción automática") elija usar el microscopio como dispositivo de almacenamiento externo.

Как загрузить документы на компьютер

Подключите микроскоп к компьютеру через USB-кабель и убедитесь, что подключенное устройство работает как хранилище информации.

Menú principal

Pulse la tecla Wrench ("Llave inglesa") (16) para abrir el menú principal. Desde este menú puede ajustar la resolución de la imagen, la calidad y nitidez de la imagen y los parámetros para la captura de secuencias.

Resolución

Seleccione **Resolution** ("Resolución") en el menú principal y elija la resolución de imagen requerida. Pulse **OK** para confirmar la selección.

Nota: este modelo acepta las siguientes resoluciones: VGA / 1,3M / 3M / 5M / 8M / 12M.

Captura de secuencia

Seleccione **Timer** ("Temporizador") en el menú principal y seleccione el número total de imágenes que se capturarán en la ventana de diálogo **Frames** ("Fotogramas"). Confirme la selección pulsando **OK**. Aparecerá una nueva ventana de diálogo en la que podrá seleccionar el intervalo entre imágenes usando las teclas ▲ y ▼. Pulse **OK** para confirmar y ◀ para volver al modo de captura. Presione el botón del disparador para comenzar a capturar imágenes. El icono de la esquina superior izquierda cambiará como confirmación. Una vez capturado el número de imágenes seleccionado, la pantalla volverá al modo de captura estándar. Presione el botón del disparador en cualquier momento para detener la captura de secuencia.

Calidad

Seleccione **Quality** ("Calidad") en el menú principal y escoja uno de los ajustes existentes. Esto cambiará el ratio de compresión de las imágenes capturadas.

Nitidez

Seleccione **Sharpness** ("Nitidez") en el menú principal y escoja uno de los ajustes existentes.

Idioma

Seleccione **Language** ("Idioma") en el menú principal y elija uno de los ajustes existentes. Pulse **OK** para confirmar la selección.

Ahorro de energía

Seleccione **Power Save** ("Ahorro de energía") en el menú principal e indique el tiempo de inactividad hasta que el microscopio se apague automáticamente.

Frecuencia de la pantalla

Seleccione **Frequency** ("Frecuencia") en el menú principal y elija uno de los ajustes existentes. Pulse **OK** para confirmar la selección.

Fecha y hora

Seleccione **Date/Time** ("Fecha/Hora") en el menú principal y seleccione la fecha y hora actuales. Pulse **OK** para confirmar la entrada. También puede elegir uno de los siguientes formatos para la fecha: AA/MM/DD, DD/MM/AA o MM/DD/AA

Conexión a TV

Seleccione **TV Out** ("Salida de televisión") en el menú principal y elija uno de los ajustes existentes. Pulse **OK** para confirmar la selección.

Formateo de la tarjeta SD

Seleccione **Format SD** (Formatear SD") en el menú principal para formatear la tarjeta de memoria instalada.

Restaurar ajustes

Seleccione **Sys. Reset** ("Restaurar sis.") en el menú principal para volver a los ajustes de fábrica.

Versión de hardware

Seleccione **Version** ("Versión") en el menú principal para comprobar la versión actual del hardware.

Conectar el microscopio a un televisor

Enchufe el cable RCA al microscopio y conéctelo a su televisor (consulte la guía de usuario de su televisor para más información). Encienda el televisor y seleccione el canal correcto en el menú correspondiente del televisor (consulte la guía de usuario de su televisor para más información).

Aplicación PortableCapture Pro

Introduzca el CD de instalación en el lector de CD. Aparecerá la ventana del Menú Principal. Haga clic en PortableCapture software para instalar la aplicación. Recuerde que durante la instalación será necesario reiniciar el sistema.

Conecte el microscopio al ordenador mediante un cable USB y cuando aparezca la ventana de AutoPlay ("Reproducción automática") elija usar el microscopio como cámara. Abra la aplicación PortableCapture Pro (consulte la sección PortableCapture Pro software ("Aplicación PortableCapture Pro") para más información).

Nota: las teclas de función están deshabilitadas cuando el microscopio se conecta al ordenador como cámara. El microscopio se maneja con la aplicación PortableCapture Pro. Todas las imágenes y vídeos se guardan en el disco duro del ordenador.



Capturar una imagen



Iniciar y detener la grabación de vídeo



Captura de secuencia (puede ajustar la hora a la que se iniciará la captura de imágenes o vídeos, el intervalo entre ellos, la duración del vídeo y el número de imágenes o vídeos a capturar)



Modo de pantalla completa. Para salir del modo de pantalla completa pulse Esc en su teclado o haga doble clic en cualquier punto de la pantalla



Guardar



Dibujar



Copiar al portapapeles



Nota



Copiar archivo



Medición



Imagen anterior



Calibrado



Imagen siguiente



Deshacer



Rehacer

File (Archivo)

Photos Directory (Directorio de fotos): indique un directorio para las imágenes capturadas.

Videos Directory (Directorio de videos): indique un directorio para los videos grabados.

Options (Opciones)

Resolution (Resolución): ajuste la resolución de la imagen.

Date/Time (Fecha/Hora): oculte o muestre la fecha y hora de la captura en la previsualización.

Language (Idioma): cambie el idioma de la interfaz de usuario.

Crossing (Cuadrícula): ocultar o mostrar una cuadrícula en las imágenes.

Fullscreen Mode (Modo de pantalla completa): activar el modo de pantalla completa.

Capture (Capturar)

Photo (Foto): capturar una imagen.

Video (Video): grabar un video.

Capturar una imagen

Haga clic en el icono correspondiente en la barra de herramientas o seleccione **Foto** en el menú de **Capturar**.

Grabar un video

Haga clic en el icono correspondiente en la barra de herramientas o seleccione **Video** en el menú de **Capturar**.

Captura de secuencia

Haga clic en el icono correspondiente en la barra de herramientas. Aparecerá una ventana de diálogo en la que podrá ajustar varios parámetros de la captura de secuencia. Haga clic en el botón de radio **Foto** para indicar la hora a la que se empezarán a capturar imágenes, el intervalo entre ellas y el número total de imágenes. Haga clic en el botón de radio **Video** para indicar la hora a la que se empezarán a grabar videos, su duración, el intervalo entre ellos y el número total de clips.

Calibrado

Antes de calibrar el microscopio active la cuadrícula. Para hacerlo, seleccione activar en **Opciones>Cuadrícula**. Por defecto la cuadrícula está visible. Sitúe la escala de calibrado en la platina y enfoque la vista. Asegúrese de que el eje vertical de la cuadrícula esté paralelo a las divisiones de la escala y capture una imagen. Haga doble clic en la miniatura de la imagen para abrirla en una ventana separada. Haga clic en el icono correspondiente en la barra de herramientas para empezar el calibrado. Con el ratón, elija dos puntos de la imagen (debe saber la distancia real entre esos puntos). Una vez elegido el segundo punto se abrirá una ventana de diálogo en la que deberá introducir la distancia conocida en el campo **Tamaño actual**. La aplicación calculará automáticamente la ampliación de la imagen. Haga clic en **OK** para cerrar la ventana de diálogo. La ampliación calculada se mostrará en el campo **Ampliación**.

Nota: los puntos elegidos deben formar una línea horizontal.

Puede comprobar los resultados del calibrado midiendo la misma distancia con la herramienta de **Línea de cualquier ángulo**. Haga clic en el icono de mediciones, elija la herramienta de **Línea de cualquier ángulo** y dibuje una línea similar en la imagen. Si la distancia medida es igual a la distancia real, el calibrado se ha logrado.

Recalibrado

El proceso de calibrado debe repetirse si durante las observaciones se cambia la ampliación o el enfoque. Haga clic en el icono correspondiente en la barra de herramientas y seleccione **Restaurar la ampliación de la foto** en **Restaurar la ampliación**. Repita el proceso de calibrado tal y como le hemos indicado anteriormente. Cambie la ampliación y capture unas cuantas imágenes. Haga doble clic en una de las miniaturas para abrir la imagen en una ventana de previsualización. Haga clic en el icono de calibrado en la barra de herramientas y seleccione **Ajustar la ampliación de la foto** en **Ajustar la ampliación**. Introduzca la ampliación actual en la ventana de diálogo que aparece y haga clic en **OK**. Si desea utilizar la misma ampliación cuando capture imágenes en el futuro, haga clic en el icono de calibrado en la barra de herramientas y seleccione **Ajustar la ampliación de la captura** en **Ajustar la ampliación**.

Mediciones

Se recomienda calibrar el sistema antes de proceder con las mediciones.

Línea de cualquier ángulo. Mantenga presionado el botón izquierdo del ratón para comenzar a dibujar una línea. Suelte el botón izquierdo para completarla.

Línea continua. Use esta herramienta para dibujar una curva en la imagen y medir su longitud.

Radio del círculo. Dibuje una línea recta en la imagen. La aplicación calculará automáticamente el radio, la circunferencia y el área del círculo correspondiente.

Diámetro del círculo. Dibuje una línea recta en la imagen. La aplicación calculará automáticamente el diámetro, la circunferencia y el área del círculo correspondiente.

Ángulo de tres puntos. Sitúe tres puntos en la imagen con el ratón. La aplicación calculará automáticamente el valor del ángulo.

Dibujo y texto

PortableCapture Pro le permite añadir dibujos y cuadros de texto a sus imágenes. Abra una imagen en la ventana de previsualización y haga clic en el icono del lápiz en la barra de herramientas. Seleccione una de las herramientas del menú desplegable y dibuje algo en la imagen. Puede editar la fuente y el color de los cuadros de texto haciendo clic en el icono **TT** de la barra de herramientas.

Trabajar con la aplicación para usuarios de Mac OS

Navegue hasta la carpeta **mac** en el CD de instalación y copie el archivo **PortableCapture Pro** al escritorio. Use un cable USB para conectar el microscopio al ordenador. Inicie la aplicación PortableCapture Pro haciendo doble clic en su icono.

En la ventana principal de la aplicación se puede ver una imagen ampliada del espécimen observado. En el menú **Options** ("Opciones"), seleccione **Preview Size** ("Tamaño de la vista") para seleccionar la resolución de la imagen. Recuerde que la ventana de la vista preliminar no se puede cambiar de tamaño (la resolución estándar es de 640x480).

La resolución de la imagen se muestra en la esquina inferior izquierda de la ventana de vista previa. En el menú **Options** ("Opciones"), seleccione **Date/Time** ("Fecha/Hora") para mostrar o esconder la fecha y la hora de la captura durante la vista previa.

Haga clic en el icono correspondiente en la barra de herramientas o seleccione **Photo** ("Foto") en el menú **Capture** ("Captura") para capturar una imagen. En el lado derecho de la ventana principal aparecerá una imagen en miniatura.

Haga clic en el icono correspondiente en la barra de herramientas o seleccione **Video** ("Video") en el menú **Capture** ("Captura") para empezar a grabar un vídeo. En el lado derecho de la ventana principal aparecerá un vídeo en miniatura.

Nota: durante la grabación, el icono de la cámara de vídeo de la barra de herramientas se mostrará en rojo. Haga clic de nuevo en el icono para detener la grabación.

Las miniaturas de imágenes y vídeo se muestran en el lado derecho de la ventana principal de la aplicación. Haga doble clic en una imagen en miniatura para abrirla en una ventana de vista previa separada. Editar imágenes con la aplicación PortableCapture Pro es similar a trabajar con otras aplicaciones en Mac OS.

Cuidado y mantenimiento

Nunca, bajo ninguna circunstancia, mire directamente al sol, a otra fuente de luz intensa o a un láser a través de este instrumento, ya que esto podría causar **DAÑO PERMANENTE EN LA RETINA Y CEGUERA**. Los LED blancos son muy brillantes; no los mire directamente ya que podría causarle daños permanentes a la vista. Tome las precauciones necesarias si utiliza este instrumento acompañado de niños o de otras personas que no hayan leído o que no comprendan totalmente estas instrucciones. Tras desembalar el microscopio y antes de utilizarlo por primera vez, compruebe el estado y la durabilidad de cada componente y cada conexión. No intente desmontar el instrumento usted mismo bajo ningún concepto, ni siquiera para limpiar el espejo. Si necesita repararlo o limpiarlo, contacte con el servicio técnico especializado que corresponda a su zona. Proteja el instrumento de impactos súbitos y de fuerza mecánica excesiva. No aplique una presión excesiva al ajustar el foco. No apriete demasiado los tornillos de bloqueo. No toque las superficies ópticas con los dedos. Para limpiar el exterior del instrumento, utilice únicamente los paños y herramientas de limpieza especiales de Levenhuk. No limpie las partículas abrasivas, como por ejemplo arena, con un paño. Únicamente soplelas o bien pase un cepillo blando. No utilice este dispositivo durante periodos largos de tiempo ni lo deje sin atender bajo la luz directa del sol. Protéjalo del agua y la alta humedad. Tenga cuidado durante las observaciones y cuando termine recuerde volver a colocar la cubierta para proteger el dispositivo del polvo y las manchas. Si no va a utilizar el microscopio durante periodos largos de tiempo, guarde las lentes del objetivo y los oculares por separado del microscopio. Guarde el instrumento en un lugar seco y fresco, alejado de ácidos peligrosos y otros productos químicos, radiadores, de fuego y de otras fuentes de altas temperaturas. Para evitar pérdidas de datos o daños al equipo cierre siempre primero la aplicación y luego desconecte el microscopio del PC. Espere hasta que se apague por completo la iluminación y desconecte el microscopio. En el caso de que alguien se trague una pieza pequeña o una pila, busque ayuda médica inmediatamente.

Instrucciones de seguridad para las pilas

Compre siempre las pilas del tamaño y grado indicado para el uso previsto. Reemplace siempre todas las pilas al mismo tiempo. No mezcle pilas viejas y nuevas, ni pilas de diferentes tipos. Limpie los contactos de las pilas y del instrumento antes de instalarlas. Asegúrese de instalar las pilas correctamente según su polaridad (+ y -). Quite las pilas si no va a utilizar el instrumento durante un periodo largo de tiempo. Retire lo antes posible las pilas agotadas. No intente nunca recargar pilas primarias (pilas de un solo uso) ya que podría provocar fugas, fuego una o explosión. No cortocircuite nunca las pilas ya que podría aumentar su temperatura y podría provocar fugas o una explosión. Nunca caliente las pilas para intentar reavivarlas. Recuerde apagar el instrumento después de usarlo. Mantenga las pilas fuera del alcance de los niños para eliminar el riesgo de ingestión, asfixia o envenenamiento. Deseche las pilas usadas tal como lo indiquen las leyes de su país.

Especificaciones

Sensor de la imagen	5 Mpx (hasta 12 Mpx interpolados)
Ampliación	20x–200x–500x
Resoluciones de imagen disponibles	12 Mpx, 8 Mpx, 5 Mpx, 3 Mpx, 1,3 Mpx, VGA
Formato de foto/vídeo	*.jpeg/*.avi
Tarjeta de memoria	microSD de hasta 32Gb (no incluida)
Lente del objetivo	Lente de alta calidad
Pantalla	Pantalla TFT de 3,5 pulgadas, ratio 4:3
Iluminación	Sistema de 8-LED con brillo variable
Fuente de alimentación	Batería de Li-ion (3,7 V/1050 mAh)
	Tiempo de uso: 2 horas; tiempo de carga: 2 horas
Fotogramas	30 fps
Cable de alimentación	IN 100–240 V, 50/60 Hz; 5 V, OUT 1 A
Idioma del sistema	Inglés, alemán, español, italiano, francés, portugués, japonés y chino
Idioma del software	Inglés, alemán, español, ruso, italiano, francés, portugués, holandés, polaco, japonés, coreano y chino
Dimensiones	227 x 104 x 149 mm
Peso	760 g (con batería)

Levenhuk se reserva el derecho a modificar o retirar cualquier producto sin previo aviso.

Requisitos del sistema

Sistema operativo: Windows XP/Vista/7/8, Mac 10.6–10.8

CPU: al menos P4 1,8 GHz, RAM: 512 MB, GPU: 64 MB, Interfaz: USB 2.0.

Se necesita un lector de CD para instalar la aplicación PortableCapture Pro.

Garantía internacional de por vida Levenhuk

Todos los telescopios, microscopios, prismáticos y otros productos ópticos de Levenhuk, excepto los accesorios, cuentan con una garantía de por vida contra defectos de material y de mano de obra. La garantía de por vida es una garantía a lo largo de la vida del producto en el mercado. Todos los accesorios Levenhuk están garantizados contra defectos de material y de mano de obra durante seis meses a partir de la fecha de compra en el minorista. Levenhuk reparará o reemplazará cualquier producto o pieza que, una vez inspeccionada por Levenhuk, se determine que tiene defectos de materiales o de mano de obra. Para que Levenhuk pueda reparar o reemplazar estos productos, deben devolverse a Levenhuk junto con una prueba de compra que Levenhuk considere satisfactoria. Esta garantía no cubre productos consumibles como bombillas (eléctricas, LED, halógenas, de bajo consumo y otros tipos de lámparas), pilas (recargables y no recargables), consumibles eléctricos, etc.

Para más detalles visite nuestra página web: <http://www.levenhuk.com/warranty>

Levenhuk DTX 500 LCD

Mikroskop cyfrowy

PL

Elementy mikroskopu

- | | |
|---|---------------------------------------|
| 1 Wyświetlacz LCD | 9 Pokrętko do regulacji jasności |
| 2 Gniazdo na kartę MicroSD | 10 Pokrętko do regulacji powiększenia |
| 3 Precyzyjne pokrętko ustawiania ostrości | 11 Gniazdo na kabel zasilający |
| 4 Tuba optyczna mikroskopu | 12 Gniazdo RCA |
| 5 Stolik | 13 Gniazdo USB |
| 6 Pokrętko regulacji zgrubnej | 14 Komora baterii |
| 7 Pokrętko blokujące ostrość | 15 Wskaźnik stanu baterii |
| 8 Przycisk migawki | 16 Przyciski funkcyjne |

W skład zestawu wchodzi: mikroskop, kabel zasilający, kabel USB, kabel RCA, płyta instalacyjna Levenhuk DTX, ściereczka do czyszczenia, skala kalibracyjna, instrukcja obsługi.

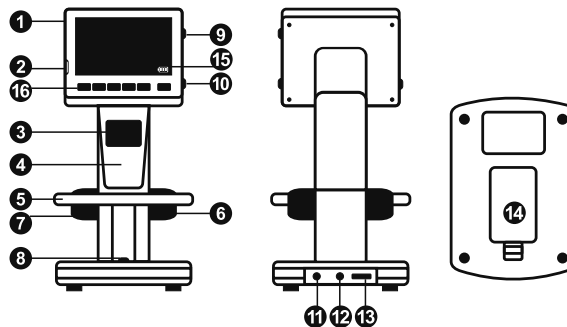
Montaż mikroskopu

Otwórz komorę baterii na spodzie podstawy mikroskopu. Umieść baterię w komorze zgodnie z polaryzacją. Przed pierwszym uruchomieniem mikroskopu należy pamiętać o całkowitym naładowaniu baterii. Podłącz kabel zasilający do gniazda w obudowie mikroskopu (11), a następnie podłącz go do źródła zasilania. Wskaźnik statusu baterii (15) będzie świecił na czerwono. Po pełnym naładowaniu baterii wskaźnik zgaśnie. W tym momencie możesz odłączyć mikroskop od źródła zasilania i uruchomić go. W pełni naładowana bateria umożliwi korzystanie z mikroskopu przez dwie godziny. W miarę spadku naładowania baterii podświetlenie słabnie, a jakość obrazu spada. W takim przypadku naładuj baterię w sposób opisany powyżej.

Na (dostępnej osobno) karcie MicroSD zapisywane są zdjęcia i nagrane filmy. Wyłącz mikroskop i wsuwań kartę MicroSD to odpowiedniego gniazda w obudowie mikroskopu aż do momentu jej zablokowania (odgłos kliknięcia). Podczas umieszczania karty MicroSD w gnieździe nie wywieraj na nią nadmiernej siły. Jeżeli umieszczenie karty w gnieździe sprawia trudności, należy ją obrócić. Przed rozpoczęciem użytkowania sformatować kartę.

Uruchamianie mikroskopu: naciśnij przycisk zasilania (16). Wyłączanie mikroskopu: ponownie naciśnij przycisk zasilania (16) (więcej informacji zawiera rozdział Oszczędność energii).

Pod żadnym pozorem nie wolno kierować urządzenia bezpośrednio na słońce, światło laserowe lub inne źródło jasnego światła bez stosowania specjalnego filtra, ponieważ może to spowodować TRWAŁE USZKODZENIE SIATKÓWKI lub doprowadzić do ŚLEPOTY.



Likona trybu przechwytywania obrazu



Likona trybu przechwytywania sekwencji

00013/01618

Licznik przechwyconych obrazów/tęczna liczba obrazów, które można przechwyć (na podstawie wybranej rozdzielczości)



Likona statusu karty MicroSD

5.0M

Bieżąca rozdzielczość obrazu



Wskaźnik stanu baterii

Uwaga: ikony interfejsu można ukryć, naciskając pokrętko do regulacji powiększenia (9).

Użytkowanie mikroskopu

Przechwytywanie obrazu

Włącz mikroskop i umieść próbkę na stoliku. Wyreguluj jasność oświetlenia, aby próbka była równo oświetlona. W razie konieczności zmień powiększenie i ostrość widzenia i zablokuj ustawienie za pomocą pokrętła blokującego ostrości (7). Naciśnij przycisk migawki (8).

Nagrywanie filmu

Naciśnij przycisk ◀ (16), aby przejść do trybu wideo. Ikona w lewym górnym rogu ekranu zmieni się. Naciśnij przycisk migawki (8), aby rozpocząć nagrywanie, i naciśnij go ponownie, aby je zatrzymać.

Odtwarzanie filmów

Naciśnij przycisk ◀ (16), aby przejść do trybu odtwarzania. Ikona w lewym górnym rogu ekranu zmieni się. Za pomocą przycisków przewijania (16) wybrać żądany plik wideo i nacisnąć **OK**, aby go odtworzyć.

Usuwanie plików

Podczas przeglądania zapisanych plików nacisnąć **klucz** (16), wybierz **Delete...** (usuń) i naciśnij **OK**, aby potwierdzić wybór (można usunąć wszystkie pliki jednocześnie bądź tylko wybrany plik).

Ochrona plików

Podczas przeglądania zapisanych plików naciśnij **klucz** (16), wybierz **Protect** (zabezpiecz) i naciśnij **OK**, aby potwierdzić wybór (możesz zabezpieczyć wszystkie pliki jednocześnie bądź tylko wybrany plik).

Pokaz slajdów

Podczas przeglądania zapisanych plików naciśnij **klucz** (16), wybierz **Slide Show** (pokaz slajdów) i naciśnij **OK**, aby potwierdzić wybór.

Tryb zmiany koloru interfejsu

Podczas przeglądania zapisanych plików naciśnij przycisk ▲, aby zmienić kolor interfejsu.

Powiększenie

Obracaj pokrętłem regulacji powiększenia (10), aby zwiększać lub zmniejszać powiększenie.

Uwaga: zakres powiększenia mikroskopu Levenhuk DTX 500 LCD wynosi 1x – 4x.

Przenoszenie plików na komputer

Podłącz mikroskop do komputera za pomocą kabla USB i, po wyświetleniu okna autoodtwarzania, wskaż na liście mikroskop i wybierz dla niego funkcję zewnętrznego urządzenia magazynującego.

Menu główne

Naciśnij **klucz** (16), aby otworzyć menu główne. Menu to umożliwia ustawienie rozdzielczości obrazu, regulację jego jakości i ostrości oraz wprowadzanie parametrów przechwytywania sekwencji.

Rozdzielczość

Z menu głównego wybierz **Resolution** (Rozdzielczość) i ustaw wymaganą rozdzielczość obrazu. Naciśnij **OK**, aby potwierdzić wybór.

***Uwaga:** w modelu można wprowadzić rozdzielczość o następujących wartościach: VGA/1,3M/3M/5M/8M/12M.*

Przechwytywanie sekwencji

Z menu głównego wybierz **Timer** (Licznik) i wprowadź łączną liczbę obrazów, jaka ma zostać przechwycona w oknie dialogowym **Frames** (Ramki). Potwierdź wybór przyciskiem **OK**. Wyświetlone zostanie nowe okno dialogowe umożliwiające wprowadzenie czasu przerwy pomiędzy obrazami za pomocą przycisków ▲ i ▼. Naciśnij **OK**, aby potwierdzić i ◀, aby powrócić do trybu przechwytywania. Naciśnij przycisk migawki, aby rozpocząć przechwytywanie obrazów. Proces zostanie potwierdzony przez zmianę ikony w lewym górnym rogu ekranu. Po przechwyceniu określonej liczby obrazów ekran powróci do standardowego trybu przechwytywania. Sekwencję można zatrzymać, naciskając w dowolnym momencie przycisk migawki.

Jakość

Z menu głównego wybierz **Quality** (Jakość), a następnie jedno z dostępnych ustawień. Nastąpi zmiana stopnia kompresji przechwyconych obrazów.

Ostrość

Z menu głównego wybierz **Sharpness** (Ostrość), a następnie jedno z dostępnych ustawień.

Język

Z menu głównego wybierz **Language** (Język), a następnie jedno z dostępnych ustawień. Naciśnij **OK**, aby potwierdzić wybór.

Oszczędność energii

Z menu głównego wybierz **Power Save** (Oszczędność energii) i wprowadz czas bezczynności, jaki musi upłynąć, aby mikroskop automatycznie się wyłączył.

Częstotliwość wyświetlania

Z menu głównego wybierz **Frequency** (Częstotliwość), a następnie jedno z dostępnych ustawień. Naciśnij **OK**, aby potwierdzić wybór.

Wyświetlanie daty i godziny

Z menu głównego wybierz **Date Stamp** (Datownik), a następnie jedno z dostępnych ustawień. Istnieje możliwość wyświetlania samej daty lub daty i godziny łącznie. Naciśnij **OK**, aby potwierdzić wybór.

Połączenie z telewizorem

Z menu głównego wybierz **TV Out** (Wyjście TV), a następnie jedno z dostępnych ustawień. Naciśnij **OK**, aby potwierdzić wybór.

Data i godzina

Z menu głównego wybierz **Date/Time** (Data/Godzina) i wprowadź aktualną datę i godzinę. Naciśnij **OK**, aby potwierdzić wprowadzone dane. Możesz również wybrać jeden z poniższych formatów daty: YY/MM/DD (RR/MM/DD), DD/MM/YY (DD/MM/RR) lub MM/DD/YY (MM/DD/RR)

Formatowanie karty SD

Z menu głównego wybierz **Format SD** (Formatuj SD), aby sformatować zainstalowaną kartę pamięci.

Resetowanie ustawień

Z menu głównego wybierz **Sys. Reset** (Resetowanie systemu), aby przywrócić ustawienia fabryczne.

Podłączenie mikroskopu do telewizora

Jeden koniec kabla RCA podłącz do mikroskopu, a drugi do telewizora (dodatkowe informacje zawiera instrukcja obsługi telewizora). Włącz telewizor i wybierz z menu telewizora odpowiedni kanał (dodatkowe informacje zawiera instrukcja obsługi telewizora).

Praca z aplikacją PortableCapture Pro

Umieść płytę instalacyjną w napędzie CD. Wyświetlone zostanie okno menu głównego. Wybierz **PortableCapture software** (oprogramowanie PortableCapture Pro), aby zainstalować aplikację PortableCapture Pro. Pamiętaj, że podczas instalacji wymagane będzie zrestartowanie systemu. Płyta instalacyjna zawiera kopię niniejszej instrukcji, z której treścią można zapoznać się, klikając odpowiadającą pozycję w menu głównym.

Podłączenie mikroskopu do komputera

Podłącz mikroskop do komputera za pomocą kabla USB i, po wyświetleniu okna autodetwarzania, wskaż na liście mikroskop i wybierz dla niego funkcję aparatu.

Uwaga: po podłączeniu mikroskopu do komputera w funkcji aparatu przyciski funkcyjne są nieaktywne. Do sterowania mikroskopem służy aplikacja PortableCapture Pro. Wszystkie obrazy i pliki wideo są zapisywane na dysku twardym komputera.



Przechwytywanie obrazu



Rozpoczynanie i zatrzymywanie nagrywania filmu



Przechwytywanie sekwencji (możliwość wprowadzenia czasu rozpoczęcia przechwytywania obrazów lub wideo, czasu trwania nagrania oraz liczby obrazów lub filmów do przechwycenia)



Tryb pełnoekranowy. Aby opuścić tryb pełnoekranowy, naciśnij przycisk **Esc** na klawiaturze lub dwukrotnie kliknij dowolne miejsce na ekranie



Zapisz



Rysowanie



Kopiuj do schowka



Notatka



Kopiuj plik



Pomiary



Poprzedni



Kalibracja



Następny



Cofnij



Ponów

File (Plik)

Photos Directory (Katalog zdjęć): wybór katalogu, w którym zapisywane będą przechwycone obrazy.

Videos Directory (Katalog wideo): wybór katalogu, w którym zapisywane będą nagrania.

Options (Opcje)

Resolution (Rozdzielczość): ustawianie rozdzielczości obrazu.

Date/Time (Data/Czas): ukrywanie lub wyświetlanie daty i godziny podczas przechwytywania.

Language (Język): zmiana języka interfejsu użytkownika.

Crossing (Siatka): ukryj lub pokaż siatkę na obrazach.

Full screen mode (Tryb pełnoekranowy): przejście w tryb pełnoekranowy.

Capture (Przechwyć)

Photo (Zdjęcie): przechwycenie obrazu.

Video (Wideo): nagranie filmu.

Przechwytywanie obrazu

Kliknij odpowiednią ikonę na pasku zadań lub wybierz **Photo** (Zdjęcie) z menu **Capture** (Przechwyć).

Nagrywanie filmu

Kliknij odpowiednią ikonę na pasku zadań lub wybierz **Video** (Wideo) z menu **Capture** (Przechwyć).

Przechwytywanie sekwencji

Kliknij odpowiednią ikonę na pasku zadań. Wyświetlone zostanie okno dialogowe umożliwiające wprowadzenie liczby parametrów przechwytywania sekwencji. Kliknij przycisk opcji **Photo** (Zdjęcie), aby wprowadzić czas rozpoczęcia przechwytywania obrazów, przerwy między przechwyteniami oraz łączną liczbę obrazów. Kliknij przycisk opcji **Video** (Wideo), aby wprowadzić czas rozpoczęcia nagrywania, czas trwania nagrań, przerwy pomiędzy filmami oraz łączną liczbę filmów.

Kalibracja

Przed skalowaniem mikroskopu włącz podziatkę. Aby to zrobić, wybierz opcję **on** (wł.) w menu **Options > Crossing** (Opcje > Siatka). Domyślnie podziatka jest widoczna. Umieść skalę kalibracyjną na stoliku i wyostrz obraz. Upewnij się, że pionowa oś podziatki jest równoległa względem linii na skali i przechwyć obraz. Dwukrotnie kliknij miniaturę obrazu, aby otworzyć ją w osobnym oknie. Kliknij odpowiednią ikonę na pasku zadań, aby rozpocząć kalibrację. Za pomocą myszy zaznacz dwa punkty na obrazie (konieczna jest znajomość rzeczywistej odległości pomiędzy punktami). Po zaznaczeniu drugiego punktu wyświetlone zostanie okno dialogowe, w którym należy wprowadzić znaną odległość w polu **Actual dimension** (Wymiar rzeczywisty). Aplikacja automatycznie wyznaczy stopień powiększenia obrazu. Kliknij **OK**, aby zamknąć okno dialogowe. Wyznaczone powiększenie zostanie wyświetlone w polu **Magnification** (Powiększenie).

Uwaga: zaznaczone punkty powinny tworzyć linię poziomą.

Wyniki kalibracji można sprawdzić, mierząc tę samą szerokość za pomocą narzędzia **Any Angle Line** (Linia o dowolnym kącie). Kliknij ikonę pomiarów, wybrać **Any Angle Line** (Linia o dowolnym kącie) i narysuj podobną linię na obrazie. Jeżeli zmierzona odległość jest taka sama jak odległość rzeczywista, oznacza to, że kalibracja powiodła się.

Ponowna kalibracja

Kalibrację należy powtórzyć, jeżeli powiększenie lub ostrość zostały zmienione podczas obserwacji. Ponownie kliknij odpowiednią ikonę na pasku zadań i wybierz **Reset picture magnification** (Resetuj powiększenie obrazu) w poleceniu **Reset magnification** (Resetuj powiększenie). Powtórz proces kalibracji w sposób opisany powyżej. Zmień powiększenie i przechwyć kilka obrazów. Dwukrotnie kliknij jedną z miniatur, aby otworzyć obraz w oknie podglądu. Kliknij ikonę kalibracji na pasku narzędzi i wybierz **Set picture magnification** (Ustaw powiększenie obrazu) w poleceniu **Set magnification** (Ustaw powiększenie). W wyświetlonym oknie dialogowym wprowadź aktualną wartość powiększenia i kliknij **OK**. Jeżeli podczas przechwytywania obrazów w przyszłości powiększenie ma zostać zachowane, kliknij ikonę kalibracji na pasku narzędzi i wybierz **Set capture magnification** (Ustaw powiększenie przechwytywania) w poleceniu **Set magnification** (Ustaw powiększenie).

Pomiary

Przed wykonaniem pomiarów zaleca się skalibrowanie systemu.

Any Angle Line (Linia o dowolnym kącie). Naciśnij i przytrzymaj lewy przycisk myszy, aby rozpocząć rysowanie linii. Zwolnij lewy przycisk myszy, aby zakończyć rysowanie linii.

Continuous Line (Linia ciągła). Narzędzie służy do rysowania i pomiaru długości krzywych na obrazie.

Radius Circle (Promień okręgu). Po narysowaniu prostej linii na ekranie aplikacja automatycznie wyznacza promień okręgu oraz obwód i pole odpowiadającego koła.

Diameter Circle (Średnica okręgu). Po narysowaniu prostej linii na ekranie aplikacja automatycznie wyznacza średnicę okręgu oraz obwód i pole odpowiadającego koła.

Three Points Angle (Kąt na podstawie trzech punktów). Za pomocą myszy zaznacz na ekranie trzy punkty. Aplikacja automatycznie wyznaczy wielkość kąta.

Rysowanie i wprowadzanie notatek tekstowych

PortableCapture Pro umożliwia dodawanie do obrazów rysunków i pól tekstowych. Otwórz obraz w oknie podglądu i kliknij ikonę **otówka** na pasku zadań. Z rozwijanego menu wybierz jedno z narzędzi i wykonaj rysunek na obrazie. Kliknięcie ikony **TT** na pasku narzędzi umożliwia edytowanie typu i koloru czcionki tekstu wpisywanego w polach tekstowych.

Praca z aplikacją przez użytkowników systemu Mac OS

Odszukaj folder **mac** na płycie instalacyjnej i skopiuj plik **PortableCapture Pro** na pulpit. Podłącz mikroskop do komputera za pomocą kabla USB. Uruchoom aplikację PortableCapture Pro, klikając dwukrotnie jej ikonę.

W menu **Options** (Opcje) wybierz **Preview Size** (Rozmiar podglądu), aby ustawić rozdzielczość obrazu. Pamiętaj, że nie można zmienić rozmiaru okna podglądu (standardowa rozdzielczość to 640x480). Rozdzielczość obrazu podawana jest w lewym dolnym rogu okna podglądu.

W menu **Options** (Opcje) wybierz **Date/Time** (Data/Godzina), aby wyświetlić lub ukryć datę i godzinę przechwytywania podczas podglądu.

Aby przechwycić obraz, kliknij odpowiednią ikonę na pasku zadań lub wybierz **Photo** (Zdjęcie) z menu **Capture** (Przechwytywanie). Po prawej stronie głównego okna wyświetlona zostanie miniatura obrazu. Aby rozpocząć nagrywanie filmu, kliknij odpowiednią ikonę na pasku zadań lub wybierz **Video** (Film) z menu **Capture** (Przechwytywanie).

Uwaga: podczas nagrywania kolor ikony kamery na pasku narzędzi zmieni się na czerwony. Kliknij ikonę ponownie, aby zatrzymać nagrywanie.

Miniaturowe obrazy i filmów wyświetlane są po prawej stronie głównego okna aplikacji. Dwukrotnie kliknij miniaturę obrazu, aby otworzyć ją w osobnym oknie podglądu. Edycja obrazów w aplikacji PortableCapture Pro przebiega w sposób podobny do obsługi innych aplikacji w systemie Mac OS.

Konserwacja i pielęgnacja

Pod żadnym pozorem nie wolno kierować urządzenia bezpośrednio na słońce, światło laserowe lub inne źródło jasnego światła bez stosowania specjalnego filtra, ponieważ może to spowodować TRWAŁE USZKODZENIE SIATKÓWKI lub doprowadzić do ŚLEPOTY. Białe diody LED świecą niezwykle jasnym światłem, z tego powodu nie należy patrzeć na nie bezpośrednio, ponieważ może to doprowadzić do trwałego uszkodzenia wzroku. Zachowaj szczególną ostrożność, gdy urządzenia używają dzieci lub osoby, które nie w pełni zapoznają się z instrukcjami. Nie podejmuj prób samodzielnego demontażu urządzenia, nawet w celu wyczyszczenia lustra. W celu wszelkich napraw i czyszczenia skontaktuj się z punktem serwisowym. Po rozpakowaniu mikroskopu i przed jego pierwszym użyciem należy sprawdzić stan i prawidłowość podłączenia każdego elementu. Nie dotykaj powierzchni optycznych palcami. Soczewki czyścić za pomocą ściereczki czyszczącej lub ściereczki nasączonej alkoholem. Polecamy stosowanie specjalnych środków do czyszczenia układu optycznego firmy Levenhuk. Nie czyścić układu optycznego za pomocą środków żrących lub zawierających aceton. Cząsteczki ścierające, takie jak ziarna piasku, powinny być zdmuchiwane z powierzchni soczewek lub usuwane za pomocą miękkiej szcztotki. Nie używać nadmiernej siły podczas ustawiania ostrości. Nie należy dokręcać zbyt mocno śrub blokujących. Chronić przyrząd przed upadkami z wysokości i działaniem nadmiernej siły mechanicznej. Przyrząd powinien być przechowywany w suchym, chłodnym miejscu, z dala od kurzu, niebezpiecznych kwasów oraz innych substancji chemicznych, grzejników, otwartego ognia i innych źródeł wysokiej temperatury. Nie wystawiać przyrządu na długotrwałe działanie promieni słonecznych. Trzymać z dala od wody. Nie przechowywać w warunkach wysokiej wilgotności, nie zanurzać. Podczas obserwacji należy zachować ostrożność. Po zakończeniu obserwacji założyć osłonę przeciwpyletą w celu zabezpieczenia mikroskopu przed kurzem i zanieczyszczeniami. W przypadku korzystania z mikroskopu przez dłuższy czas soczewki obiektywowe i okulary oraz mikroskop należy przechowywać osobno. Aby uniknąć utraty danych lub uszkodzenia urządzenia, należy najpierw zamknąć aplikację, a dopiero później odłączyć mikroskop od komputera. Zaczekać, aż podświetlenie całkowicie się wyłączy, i odłączyć mikroskop. W przypadku poknięcia małej części lub baterii należy natychmiast zwrócić się o pomoc medyczną.

Instrukcje dotyczące bezpiecznego obchodzenia się z bateriami

Należy używać baterii odpowiedniego typu i w odpowiednim rozmiarze. Należy wymieniać wszystkie baterie jednocześnie; nie należy łączyć starych i nowych baterii ani baterii różnych typów. Przed włożeniem baterii należy wyczyścić styki baterii i urządzenia. Podczas wkładania baterii należy zwracać uwagę na ich bieguny (znaki + i -). Jeśli sprzęt nie będzie używany przez dłuższy czas, należy wyjąć baterie. Zużyte baterie należy natychmiast wyjąć. Nie ładować baterii jednorazowych, ponieważ wiąże się to z ryzykiem wycieku, pożaru lub wybuchu. Nie doprowadzać do zwarcia baterii, ponieważ wiąże się to z ryzykiem powstania wysokich temperatur, wycieku lub wybuchu. Nie ogrzewać baterii w celu przedłużenia czasu ich działania. Należy pamiętać o wyłączeniu urządzenia po zakończeniu użytkowania. Baterie przechowywać w miejscu niedostępnym dla dzieci, aby uniknąć ryzyka połamania, uduszenia lub zatrucia.

Dane techniczne

Matryca	5 Mpx (12 Mpx interpolowane)
Powiększenie	20x–200x–500x
Dostępne rozdzielczości obrazu	12 Mpx, 8 Mpx, 5 Mpx, 3 Mpx, 1,3 Mpx, VGA
Zdjęcie/Film	*.jpeg/*.avi
Format karty pamięci	microSD do 32GB (nie wchodzi w skład zestawu)
Soczewka obiektywowa	Wysokiej jakości soczewka
Wyświetlacz	Wyświetlacz TFT 3,5", 4:3
Podświetlenie	System 8 diod LED z regulacją jasności
Źródło zasilania	Akumulator litowo-jonowy (3,7 V/1050 mAh)
Klatki na sekundę	Czas pracy: 2 godziny, czas ładowania: 2 godziny 30 kl./s
Kabel zasilający	100–240 V, 50/60 Hz; 5 V, 1 A na wyjściu
Język systemu operacyjnego	Angielski, niemiecki, francuski, hiszpański, włoski, portugalski, japoński, chiński
Język oprogramowania	Angielski, niemiecki, francuski, hiszpański, rosyjski, włoski, portugalski, polski, niderlandzki, japoński, koreański, chiński
Wymiary (wys. x szer. x gł.)	227 x 104 x 149 mm
Masa	760 g (z baterią)

Levenhuk zastrzega sobie prawo do modyfikowania lub zakończenia produkcji dowolnego produktu bez wcześniejszego powiadomienia.

Wymagania systemowe

System operacyjny: Windows XP SP2/Vista/7/8, Mac 10.6–10.8

Procesor: co najmniej P4 1,8 GHz, pamięć RAM: 512 MB, interfejs: USB 2.0

Gwarancja międzynarodowa Levenhuk

Wszystkie teleskopy, mikroskopy, lornetki i inne przyrządy optyczne Levenhuk, za wyjątkiem akcesoriów, posiadają dożywotnią gwarancję obejmującą wady materiałowe i wykonawcze. Dożywotnia gwarancja to gwarancja na cały okres użytkowania produktu. Wszystkie akcesoria Levenhuk są wolne od wad materiałowych i wykonawczych i pozostaną takie przez dwa lata od daty zakupu detalicznego. Firma Levenhuk naprawi lub wymieni produkty lub ich części, w przypadku których kontrola prowadzona przez Levenhuk wykaze obecność wad materiałowych lub wykonawczych. Warunkiem wywiązania się przez firmę Levenhuk z obowiązku naprawy lub wymiany produktu jest dostarczenie danego produktu firmie razem z dowodem zakupu uznawanym przez Levenhuk. Niniejsza gwarancja nie obejmuje części eksploatacyjnych, takich jak żarówki (elektryczne, LED, halogenowe, energooszczędne i inne), baterie (akumulatory i zwykłe), akcesoria elektryczne itd.

Więcej informacji na ten temat znajduje się na stronie: <http://pl.levenhuk.com/gwarancja>

Levenhuk DTX 500 LCD

Цифровой микроскоп

RU

Никогда не смотрите в прибор на Солнце, на источник яркого света и лазерного излучения — ЭТО ОПАСНО ДЛЯ ЗРЕНИЯ И МОЖЕТ ПРИВЕСТИ К СЛЕПОТЕ!

Устройство микроскопа

- | | |
|-----------------------------|--|
| 1 ЖК-дисплей | 9 Колесо регулировки яркости освещения |
| 2 Разъем для карты MicroSD | 10 Колесо регулировки увеличения |
| 3 Колесо точной фокусировки | 11 Разъем кабеля питания |
| 4 Тубус микроскопа | 12 AV-разъем |
| 5 Предметный столик | 13 Разъем USB |
| 6 Колесо грубой фокусировки | 14 Батарейный отсек |
| 7 Фиксатор фокусировки | 15 Индикатор заряда батареи |
| 8 Спусковая кнопка затвора | 16 Кнопки управления |

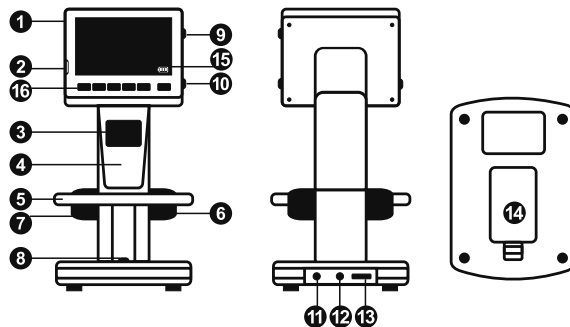
Комплект поставки: микроскоп, аккумулятор, кабель питания, USB-кабель, видеокабель, установочный компакт-диск Levenhuk DTX, шкала калибровки, чистящая салфетка, инструкция по эксплуатации.

Сборка микроскопа

Откройте батарейный отсек, сдвинув крышку. Вставьте аккумулятор в батарейный отсек, соблюдая полярность, указанную внутри батарейного отсека. Перед тем как использовать микроскоп, необходимо зарядить аккумулятор. Для этого вставьте кабель питания в соответствующий разъем на корпусе микроскопа и подключите его к источнику питания. Индикатор заряда батареи загорится красным. Когда аккумулятор полностью зарядится, индикатор погаснет. После этого можно отключить микроскоп от источника питания. Полный заряд аккумулятора позволит вам использовать микроскоп в течение двух часов непрерывной работы. Резкое уменьшение яркости системы освещения и качества изображения означает, что заряд аккумулятора заканчивается.

Для создания снимков и видеороликов потребуется карта MicroSD (не входит в комплект поставки). Выключите микроскоп и вставьте карту MicroSD в соответствующий разъем на корпусе микроскопа до щелчка. Не прикладывайте излишних усилий, чтобы не повредить микроскоп или карту MicroSD. Если у вас не получается вставить карту, убедитесь, что она расположена верно. Перед использованием карты потребуется отформатировать ее.

Для включения микроскопа нажмите кнопку включения (16). Для выключения микроскопа нажмите кнопку включения (16) повторно (см. также раздел «Энергосбережение»).



Сделать снимок



Автоматическая съемка

00013/01618

Счетчик сделанных снимков/Количество снимков, которые можно сделать (в зависимости от выбранного разрешения)



Индикатор установки карты MicroSD

5.0M

Выбранное разрешение



Индикатор заряда батареи

Примечание: значки можно отключить, нажав колесо регулировки увеличения (9).

Работа с микроскопом

Как сделать снимок

Включите микроскоп и направьте его на интересующий вас объект. Отрегулируйте яркость системы освещения так, чтобы объект был равномерно освещен. Настройте резкость изображения, вращая колесо фокусировки. Достигнув необходимого увеличения и резкости изображения, зафиксируйте эти параметры, повернув фиксатор фокусировки (7). Нажмите спусковую кнопку затвора (8).

Как записать видеоролик

Нажмите кнопку ◀ (16), чтобы перейти в режим видео. Значок в левом верхнем углу дисплея изменится в подтверждение перехода. Нажмите спусковую кнопку затвора (8), чтобы начать запись. Нажмите кнопку повторно, чтобы остановить запись.

Как просмотреть записанный видеоролик

Нажмите кнопку ◀ (16), чтобы перейти в режим просмотра. Значок в левом верхнем углу дисплея изменится в подтверждение перехода. Выберите интересующий вас видеоролик, используя кнопки прокрутки. Нажмите кнопку **OK**, чтобы начать просмотр.

Как удалить документ

Во время просмотра сохраненных документов нажмите кнопку с изображением гаечного ключа (16), выберите пункт **Delete...** и подтвердите выбор, нажав кнопку **OK**. В появившемся меню можно удалить выбранный документ или все существующие документы.

Как защитить документ от удаления

Во время просмотра сохраненных документов нажмите кнопку входа в меню (16), выберите пункт **Protect** и подтвердите выбор, нажав кнопку **OK**. В появившемся меню можно защитить выбранный документ или все существующие документы.

Слайд-шоу

Во время просмотра сохраненных документов нажмите кнопку входа в меню (16), выберите пункт **Slide Show** и подтвердите выбор, нажав кнопку **OK**.

Выбор цветового режима

Во время просмотра сохраненных данных нажмите кнопку ▲, чтобы переключиться между существующими цветовыми режимами.

Увеличение

Воспользуйтесь колесом регулировки увеличения (10), чтобы изменить действующее увеличение.

Примечание: Допустимый предел увеличений — от 1x до 4x.

Как загрузить документы на компьютер

Подключите микроскоп к компьютеру через USB-кабель и убедитесь, что подключаемое устройство работает как хранилище информации.

Главное меню

Нажмите кнопку с изображением гаечного ключа, чтобы открыть главное меню цифрового микроскопа. В этом меню можно настроить разрешение, качество и резкость снимков, а также настроить автоматическую съемку.

Разрешение

В главном меню перейдите в раздел **Resolution**, а затем выберите необходимое разрешение. Нажмите **OK**, чтобы подтвердить выбор.

Примечание: доступные разрешения: VGA, 1.3M, 3M, 5M, 8M, 12M.

Автоматическая съемка

В главном меню перейдите в раздел **Timer**. В появившемся окне **Frames** можно настроить количество снимков, которое необходимо сделать. Подтвердите выбор, нажав **OK**, и перейдите к следующему окну, чтобы настроить интервал между снимками. Настройка этих параметров осуществляется при помощи кнопок ▲ и ▼. Нажмите **OK**, чтобы подтвердить настройки, а затем нажмите кнопку ◀. Нажмите спусковую кнопку затвора, чтобы начать автоматическую съемку. Значок в левом верхнем углу дисплея изменится в подтверждение начала автоматической съемки. После завершения автоматической съемки дисплей вернется к стандартному виду. Если потребуются остановить автоматическую съемку, нажмите спусковую кнопку затвора.

Качество

В главном меню перейдите в раздел **Quality** и выберите один из существующих вариантов. От этого параметра зависит степень сжатия изображений.

Резкость

В главном меню перейдите в раздел **Sharpness** и выберите один из существующих вариантов.

Язык

В главном меню перейдите в раздел **Language** и выберите один из существующих вариантов. Подтвердите выбор, нажав кнопку **OK**.

Режим энергосбережения

В главном меню перейдите в раздел **Power Save** и установите максимальное время бездействия, через которое микроскоп автоматически отключится.

Частота экрана

В главном меню перейдите в раздел **Frequency** и выберите один из существующих вариантов. Подтвердите выбор, нажав кнопку **OK**.

Отображение даты и времени

В главном меню перейдите в раздел **Date Stamp** и выберите один из существующих вариантов. Здесь можно включить отображение даты и времени или только даты. Подтвердите выбор, нажав кнопку **OK**.

Телевизионный сигнал

В главном меню перейдите в раздел **TV Out** и выберите один из существующих вариантов. Подтвердите выбор, нажав кнопку **OK**.

Дата и время

В главном меню перейдите в раздел **Date/Time** и настройте дату и время. Подтвердите установку, нажав кнопку **OK**. Здесь так же можно выбрать один из следующих форматов отображения даты: ГГ/ММ/ДД, ДД/ММ/ГГ или ММ/ДД/ГГ.

Форматирование карты

В главном меню перейдите в раздел **Format SD**, чтобы отформатировать карту MicroSD.

Сброс настроек

В главном меню перейдите в раздел **Sys. Reset**, чтобы вернуться к заводским настройкам приложения.

Как подключить микроскоп к телевизору

Вставьте видеонабель в соответствующий разъем на корпусе микроскопа и подключите его к телевизору (RCA-штепелер кабеля следует подключить к желтому AV-разъему телевизора). Включите телевизор и выберите необходимый источник сигнала в соответствующем меню телевизора (процесс подключения внешних устройств к телевизору подробно описан в инструкции по эксплуатации телевизора).

Работа с PortableCapture Pro

Вставьте установочный диск Levenhuk DTX в дисковод. В появившемся диалоговом окне выберите пункт **PortableCapture software**, чтобы установить приложение PortableCapture Pro. Обратите внимание, что во время установки потребуется перезагрузка системы. Вы также можете прочесть инструкцию по эксплуатации, выбрав в диалоговом окне соответствующий пункт.

Подключите микроскоп к компьютеру через USB-кабель и убедитесь, что подключаемое устройство работает как камера. Запустите приложение PortableCapture Pro. Если микроскоп не подключен к компьютеру, при запуске приложения появится соответствующее предупреждение.

Примечание: при подключении микроскопа к компьютеру в режиме камеры кнопки управления отключаются — все команды должны исходить от компьютера. В режиме камеры все созданные документы будут сохраняться на компьютере, а не на карте MicroSD.



Сделать снимок



Начать или приостановить запись видеоролика



Автоматическая съемка: укажите время начала съемки, интервал и общее количество снимков или видеороликов



Полноэкранный режим. Для выхода из полноэкранного режима нажмите клавишу **Escape** или дважды щелкните левой кнопкой мыши в любом месте экрана



Сохранить как



Рисунок



Копировать в буфер обмена



Заметка



Копировать файл



Измерение



Предыдущее изображение



Калибровка



Следующее изображение



Отменить последнее действие



Повторить последнее действие

File (Файл)

Photos Directory (Папка для фото): выбрать папку для сохранения снимков;

Videos Directory (Папка для видео): выбрать папку для сохранения видеороликов;

Options (Опции)

Resolution (Разрешение): выбрать разрешение снимков.

Date/Time (Дата/Время): отображать дату и время во время предпросмотра.

Language (Язык): выбрать язык интерфейса.

Crossing (Сетка): отображать сетку во время работы с приложением.

Full screen mode (Полноэкранный режим): перейти в полноэкранный режим.

Capture (Захват)

Photo (Фото): сделать снимок.

Video (Видео): записать видеоролик.

Как сделать снимок

Нажмите соответствующую кнопку на панели управления или выберите пункт

Photo (Фото)

в меню **Capture** (Захват).

Как записать видео

Нажмите соответствующую кнопку на панели управления или выберите пункт

Video (Видео)

в меню **Capture** (Захват).

Автоматическая съемка

Нажмите соответствующую кнопку на панели управления. В появившемся диалоговом окне можно настроить параметры автоматической фото- или видеосъемки. В разделе **Photo** (Фото) можно установить время начала автоматической съемки, указать интервал съемки и общее количество снимков. В разделе **Video** (Видео) можно установить время начала автоматической съемки, указать продолжительность видеороликов, интервал съемки и общее количество видеороликов.

Калибровка

Для включения визирной сетки выберите пункт **on** (включить) в разделе **Crossing** (Сетка) меню **Options** (Опции). По умолчанию визирная сетка включена. Визирная сетка поможет вам при работе со шкалой калибровки. Наведите микроскоп на шкалу калибровки и отрегулируйте резкость изображения. Убедитесь, что вертикальная ось визирной сетки параллельна линиям на шкале, и сделайте снимок. Дважды щелкните левой кнопкой мыши полученное изображение, чтобы открыть окно предварительного просмотра. Нажмите соответствующую кнопку на панели инструментов, чтобы приступить к калибровке. При помощи мыши выберите две точки на изображении, расстояние между которыми вам известно. После выбора второй точки откроется диалоговое окно. Введите фактическое расстояние между двумя точками в разделе **Actual dimension** (Реальный размер). Программа автоматически вычислит масштаб увеличения. Нажмите **OK**, чтобы закрыть диалоговое окно. После этого в разделе **Magnification** (Масштаб) появится вычисленный масштаб.

Примечание: проведенная линия должна быть горизонтальной.

Проверьте результат калибровки, измерив то же расстояние при помощи инструмента **Any Angle Line** (Прямая). Для этого нажмите кнопку измерений и выберите пункт **Any Angle Line**. Если измеренное расстояние совпадает с фактическим, калибровка выполнена успешно.

Повторная калибровка

Если в процессе работы вы изменили увеличение и заново настроили резкость изображения, вам придется повторить процесс калибровки. Для этого нажмите соответствующую кнопку на панели управления в окне предварительного просмотра и выберите пункт **Reset picture magnification** (Сбросить масштаб изображения) в разделе **Reset magnification** (Сбросить масштаб). После этого вы сможете повторить процесс калибровки (см. раздел «Калибровка»). Измените увеличение и сделайте несколько снимков. Откройте одно из полученных изображений в режиме предварительного просмотра, нажмите кнопку калибровки на панели инструментов и выберите пункт **Set picture magnification** (Установить масштаб изображения) в разделе **Set magnification** (Установить масштаб). В появившемся диалоговом окне введите масштаб увеличения и нажмите **OK**. Если вы хотите использовать аналогичное увеличение при создании снимков, нажмите кнопку калибровки на панели инструментов и выберите пункт **Set capture magnification** (Установить масштаб съемки) в разделе **Set magnification** (Установить масштаб). После этого все изображения будут создаваться с указанным увеличением.

Измерение

Перед измерениями рекомендуется произвести калибровку системы.

Any Angle Line (Прямая). Нажмите левую кнопку мыши в начальной точке и проведите линию. Отпустите левую кнопку мыши в конечной точке.

Continuous Line (Непрерывная линия). При помощи этого инструмента можно измерить длину нарисованной вами кривой линии.

Radius Circle (Радиус). Проведите прямую линию, соответствующую радиусу круга. Программа рассчитает радиус, а также длину и площадь окружности.

Diameter Circle (Диаметр). Проведите прямую линию, соответствующую диаметру круга. Программа рассчитает диаметр, а также длину и площадь окружности.

Three Points Angle (Угол). Выберите любые три точки на изображении при помощи мыши. Программа рассчитает величину угла.

Рисунок и текст

При помощи приложения PortableCapture Pro вы можете добавлять рисунки или тексты на созданные изображения. При нажатии кнопки с изображением карандаша на панели управления в окне предварительного просмотра появится выпадающее меню. В нем можно выбрать любой из существующих инструментов для создания рисунков, а также настроить некоторые параметры. При нажатии кнопки с изображением двух букв «Т» на панели управления в окне предварительного просмотра появится выпадающее меню, в котором вы можете настроить шрифт и цвет надписи.

Работа с приложением на Mac OS

Откройте папку **mac** на установочном диске Levenhuk DTX и скопируйте файл PortableCapture Pro на рабочий стол. Подключите микроскоп к компьютеру через USB-кабель. Откройте приложение PortableCapture Pro, дважды щелкнув значок **PortableCapture Pro**.

В разделе **Preview Size** меню **Options** можно установить разрешение создаваемых снимков. Обратите внимание, что размер окна предварительного просмотра изменить нельзя (стандартное разрешение — 640x480), а установленное разрешение снимка отображается в левом нижнем углу.

В разделе **Date/Time** меню **Options** можно указать, будет ли отображаться время и дата создания снимка во время предварительного просмотра.

Чтобы сделать снимок или записать видеоролик, нажмите соответствующую кнопку на панели управления или выберите пункт **Photo** или **Video** в меню **Capture**.

Эскиз сделанного снимка или видеоролика появится в списке в правой части главного окна приложения. Дважды щелкните эскиз изображения, чтобы открыть его в окне предварительного просмотра, или щелкните мышью эскиз видеоролика, чтобы проиграть видеоролик. Процесс работы с изображениями не отличается от других процессов работы на Mac OS.

Меры предосторожности

Никогда не смотрите в прибор на Солнце, на источник яркого света и лазерного излучения — ЭТО ОПАСНО ДЛЯ ЗРЕНИЯ И МОЖЕТ ПРИВЕСТИ К СЛЕПОТЕ! Белые светодиоды системы освещения микроскопа очень яркие; не смотрите на них, чтобы не повредить зрение. Будьте внимательны, если пользуетесь прибором вместе с детьми или людьми, не ознакомленными с инструкцией. Не разбирайте прибор. Сервисные и ремонтные работы могут проводиться только в специализированном сервисном центре. После вскрытия упаковки и установки микроскопа проверьте каждый компонент.

Не касайтесь пальцами поверхностей линз. Для очистки линз пользуйтесь мягкой чистой салфеткой, на которую можно капнуть немного спирта или эфира, но лучше всего использовать оригинальные средства для чистки оптики компании Levenhuk. Запрещается использовать для чистки средства с абразивными или коррозионными свойствами и жидкости на основе ацетона! Абразивные частицы (например, песок) следует не стирать, а сдувать или смахивать мягкой кисточкой. Не прикладывайте чрезмерных усилий при настройке фокуса. Не прилагайте излишних усилий к стопорным и фиксирующим винтам. Оберегайте прибор от резких ударов и чрезмерных механических воздействий. Микроскоп можно использовать при температуре от -5 °C до +50 °C. Помните, что резкие перепады температуры могут привести к запотеванию линз и образованию конденсата. Храните прибор в сухом прохладном месте, недоступном для пыли, влияния кислот или других активных химических веществ, вдали от отопителей (бытовых, автомобильных) и от открытого огня и других источников высоких температур. Не подвергайте прибор длительному воздействию прямых солнечных лучей. Не используйте прибор в условиях повышенной влажности и не погружайте его в воду. Работайте с микроскопом аккуратно, надевайте на него пылезащитный чехол после работы, чтобы защитить его от пыли и масляных пятен. Во избежание потери данных и повреждения оборудования отключайте микроскоп от компьютера только после закрытия приложения. Дождитесь выключения системы освещения и отключите микроскоп. Если деталь прибора или элемент питания были проглочены, срочно обратитесь за медицинской помощью.

Использование элементов питания

Всегда используйте элементы питания подходящего размера и соответствующего типа. При необходимости замены элементов питания меняйте сразу весь комплект, не смешивайте старые и новые элементы питания и не используйте элементы питания разных типов одновременно. Перед установкой элементов питания очистите контакты элементов и контакты в корпусе прибора. Устанавливайте элементы питания в соответствии с указанной полярностью (+ и -). Если прибор не используется длительное время, следует вынуть из него элементы питания. Оперативно вынимайте из прибора использованные элементы питания. Не пытайтесь перезаряжать гальванические элементы питания - они могут протечь, воспламениться или взорваться. Никогда не закорачивайте полюса элементов питания – это может привести к их перегреву, протечке или взрыву. Не пытайтесь нагревать элементы питания, чтобы восстановить их работоспособность. Выключайте прибор после использования. Храните элементы питания в недоступном для детей месте, чтобы избежать риска их проглатывания, удущья или отравления.

Технические характеристики

Разрешение матрицы	5 Мпикс (с интерполяцией до 12 Мпикс)
Доступные разрешения	12 Мпикс, 8 Мпикс, 5 Мпикс, 3 Мпикс, 1,3 Мпикс, VGA
Увеличение	20х-200х-500х
Фото/видео	*.jpeg/*.avi
Поддержка карт памяти	microSD до 32 Гб (в комплект не входит)
Объектив	высококачественная линза
Дисплей	3,5" (8,9 см) TFT-дисплей, 4:3
Источник освещения	8 светодиодов с регулируемой яркостью
Питание	Li-ion аккумулятор 3,7 В/1050 мА ч время работы: 2 часа, время зарядки: 2 часа
Частота	30 кадров в секунду
Кабель питания	100-240 В, 50/60 Гц; 5 В, 1 А на выходе
Язык операционной системы	английский, немецкий, французский, испанский, итальянский, португальский, японский, китайский
Язык ПО	Английский, немецкий, французский, испанский, русский, итальянский, португальский, польский, голландский, японский, корейский, китайский
Габариты (Д x Ш x В)	227 x 104 x 149 мм
Вес	760 г (с аккумулятором)

Компания Levenhuk оставляет за собой право вносить любые изменения или прекращать производство изделия без предварительного уведомления.

Требования к системе

Операционная система Windows XP/Vista/7/8, Mac 10.6-10.8
ЦПУ от P4 1,8 ГГц, ОЗУ от 512 МБ, видеокарта от 64 МБ, разъем USB 2.0, CD-ROM

Международная пожизненная гарантия Levenhuk

Компания Levenhuk гарантирует отсутствие дефектов в материалах конструкции и дефектов изготовления изделия. Продавец гарантирует соответствие качества приобретенного вами изделия компании Levenhuk требованиям технической документации при соблюдении потребителем условий и правил транспортировки, хранения и эксплуатации изделия. Срок гарантии: на аксессуары — 6 (шесть) месяцев со дня покупки, на остальные изделия — пожизненная гарантия (действует в течение всего срока эксплуатации прибора). Гарантия не распространяется на комплектующие с ограниченным сроком использования, в том числе лампы (накаливания, светодиодные, галогенные, энергосберегающие и прочие типы ламп), электрокомплектующие, расходные материалы, элементы питания и прочее.

Подробнее об условиях гарантийного обслуживания см. на сайте www.levenhuk.ru/support

Purchase date
Datum nákupu
Kaufdatum
Fecha de compra
Data zakupu
Дата продажи

Signature
Podpis
Unterschrift
Firma
Podpis
Подпись

Stamp
Razítko
Stempel
Sello
Pieczęć
Печать

levenhuk.com

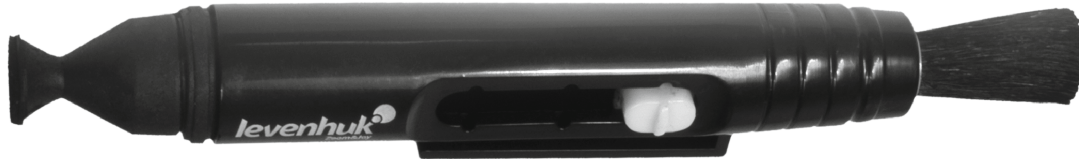
Levenhuk, Inc. 924-D East 124th Ave. Tampa, FL 33612 USA
Levenhuk® is a registered trademark of Levenhuk, Inc. © 2006-2015 Levenhuk, Inc. All rights reserved.
20150311

levenhuk[®]
Zoom&Joy[®]

The original Levenhuk cleaning accessories



Levenhuk Cleaning Pen LP10



Removes dust with a brush
The soft tip is treated with a special cleaning fluid that removes greasy stains
Does not damage optical coatings of the lenses
Leaves no smudges or stains

levenhuk.com

levenhuk
Zoom&Joy®