

Levenhuk DTX TV

Digital Microscope



EN	User Manual
CZ	Návod k použití
DE	Bedienungsanleitung
ES	Guía del usuario
PL	Instrukcja obsługi
RU	Инструкция по эксплуатации

200x
ZOOM

3 MEGA
PIXELS



HDMI
1080 P

levenhuk
Zoom&Joy®

Levenhuk DTX TV

Digital Microscope

EN

Never, under any circumstances, look directly at the Sun, another bright source of light or at a laser through this device, as this may cause **PERMANENT RETINAL DAMAGE** and may lead to **BLINDNESS**.

Microscope parts

- | | |
|-------------------------|------------------------|
| 1 DC-in & USB port | 7 Menu |
| 2 HDMI port | 8 Capture/OK |
| 3 MicroSD slot | 9 Down |
| 4 LED Dimmer | 10 LED |
| 5 Power on/off | 11 Focus wheel |
| 6 Mode (Playback/Photo) | 12 Magnification ruler |
| 13-17 Screws | |

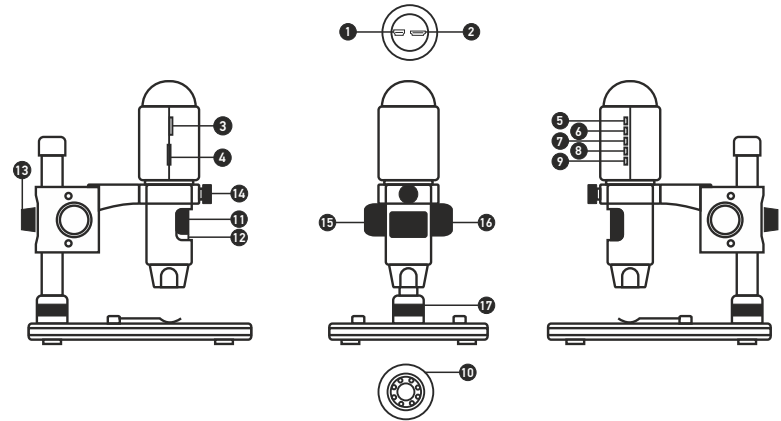
The kit includes: microscope, microscope stand, AC adapter, USB cable, HDMI cable, calibrating scale, software CD, user manual.

Microscope assembly

Take the microscope and all accessories out of the package. Place the stage on a stable surface. Attach the mount locking ring (17) to the metal tube of the mount. Insert the metal tube into the opening on the stage and lock it in place with the ring (17). Insert the microscope into the clamp on the mount arm and tighten the locking screw (14). Tighten the locking knob (13) to lock the mount arm in place. Place a specimen on the stage and use the coarse focus knob (16) to focus your view. Use the fine focus knob (11) for maximum precision and sharpness. Upon focusing your view, tighten the focus lock knob (15) to lock the results.

PortableCaptureHD software

Insert the installation CD into your CD drive. The Main Menu window will be displayed. Click the **Install PortableCaptureHD** to install the application and follow the instructions on screen. The installation CD contains a copy of this user manual, which you can read by clicking the corresponding entry in the Main Menu. Connect the microscope to your PC with a USB cable and run the PortableCaptureHD application. A pop-up message will warn you if the microscope is not connected to the PC.



Capture an image



Start and stop video recording



Sequence capture (you can set the time to begin capturing images or videos, interval between them, video duration and the number of images or videos to be captured)



Full screen mode. To exit full screen mode, press **Escape** on your keyboard or double-click anywhere on the screen

Using the microscope

Connection to TV/monitor with HDMI input

- 1) Connect the microscope to the TV/monitor by inserting the HDMI cable into the HDMI input port. Turn on the power of your TV/monitor and select the HDMI setting.
- 2) Power the microscope with the supplied power adapter. If the microscope is not already on, turn on the power of the microscope by pressing the Power on/off button (5) if the device is not turned on, and then you can start the preview on the screen.

Capturing an image

- 1) Insert a MicroSD card into the MicroSD slot (3). Maximum card size is 32Gb.
- 2) Turn the Focus wheel (11) to focus the image of your object to its best focus.
- 3) Press Capture/OK button (8) and the captured photo will be captured and saved to the MicroSD card.

Playback

- 1) Insert MicroSD card in slot.
- 2) Press Mode button (6) to switch to playback mode.
- 3) Press Down button (9) to watch the previous captured photo. Press Mode button (6) again to return to preview.

Mass storage on PC

- 1) Insert MicroSD card in slot.
- 2) Connect the microscope to PC by USB cable for downloading images from card to your computer.

Preview on PC

- 1) Only works with supported software installed.
- 2) Remove MicroSD card from the slot.
- 3) Connect the microscope to PC by USB cable.

Main menu I

Press Menu button (7) to open the main menu. From this menu you can set image resolution, adjust image exposure, quality and sharpness, as well as set parameters for sequence capture. Also this menu contains Time-lapse and Date Stamp functions.

Resolution

Select **Resolution** from the main menu I and choose the required image resolution, by pressing the Down button (9) then confirm by pressing Capture/OK button (8).

Note: this model supports the following resolutions: WVGA / 2M / 3M / 5M / 8M / 14M.

Time-lapse Capture

From the main menu I, choose Time-lapse Capture and then enter Time setup:

Lapse Num: input quantity of frames you want to take by Down button (9) and change the block by pressing Mode button (6). The maximum number is 999, which means 999 pictures will be automatically captured within the selected interval time.

Lapse Time: input interval time between frame capture by Down button (9) and change the block by pressing Mode button (6). The maximum number is 999, which means the time interval for each capture is 999 seconds.

Press Capture/OK button (8) to confirm selection and press Menu button (7).back to preview status. Then press Capture/OK button (8) to start auto capture. When in auto capture status, the image quantity will be shown at the upper right corner.

When all frames are captured, microscope will return to normal preview.

For Time-lapse capturing the auto power off time should be longer than the time lapse set. 30 minutes setting is recommended.

Quality

Select **Quality** from the main menu I and choose one of the existing settings. This will change the compression rate of captured images.

Sharpness

Select **Sharpness** from the main menu I and choose one of the existing settings.

Exposure (Brightness)

Select **Exposure** from the main menu I and then select a target value.

Date Stamp

Select **Date Stamp** from the main menu I and then select a target option.

Main menu II

Press Menu button (7) to enter main menu I, and then press it once more to enter main menu II. This section allows you to set the interface language, turn on the power saving mode, change the display frequency, hide or display date and time, set up the TV connection, format the SD card, reset settings and check the hardware version.

Date and time

Select **Date/Time** from the main menu II by Down button (9) and set the current date and time. Press Capture/OK button (8) to confirm entry. You can also choose one of the following date formats: YY/MM/DD, DD/MM/YY or MM/DD/YY. Press Menu button (7) to return to preview mode.

Power saving

Select **Auto Power Off** from the main menu II and set the idle time before the microscope automatically shuts down. Press Capture/OK button (8) to confirm selection.

Language

Select **Language** from the main menu II and choose one of the existing settings. Press Capture/OK button (8) to confirm selection.

TV connection

Select **TV Mode** from the main menu II and then select, between NTSC and PAL, the correct mode compatible with your TV. Press Capture/OK button (8) to confirm selection.

Display frequency

Select **Frequency** from the main menu II and choose one of the existing settings. Press Capture/OK button (8) to confirm selection.

Format MicroSD card

Select **Format SD** from the main menu II to format the installed memory card. **All the files on the card will be deleted after card formatting.** Normally card formatting is not necessary, unless your card is not able to store the captured image.

Settings reset

Select **Default Setting** from the main menu II to revert back to factory settings.

Hardware version

Select **Version** from the main menu II to check the current hardware version.

File

Photos Directory: set a directory for captured images.

Videos Directory: set a directory for recorded videos.

Options

Resolution: set image resolution.

Date/Time: hide or display date and time of capture during preview.

Language: change the language of the user interface.

XY Guide: hide or display a grid on images.

Full screen mode: go full screen.

Capture

Photo: capture an image.

Video: record a video.



Save as



Copy to clipboard



Copy file



Previous image



Next image



Undo the last action



Repeat the last action



Draw



Text



Measurement



Calibration

Capturing an image

Click the corresponding icon on the toolbar or select **Photo** from the **Capture** menu.

Recording a video

Click the corresponding icon on the toolbar or select **Video** from the **Capture** menu.

Sequence capture

Click the corresponding icon on the toolbar. A dialog window will appear where you can set a number of parameters for sequence capture. Click the **Photo** radio button to set the time to begin capturing images, interval between them and the total number of images. Click the **Video** radio button to set the time to begin recording videos, their duration, interval between them and the total number of clips.

Calibration

Before calibrating the microscope, turn the grid display on. To do so, select **on** from **Options > XY Guide**. By default, the grid is visible. Place the calibration scale on the stage and focus your view. Make sure that the vertical axis of the grid is parallel to scale divisions and capture an image. Double-click the image thumbnail to open it in a separate window.

Click the corresponding icon on the toolbar to begin calibration. Using your mouse, choose two points on the image (you have to know the actual distance between these two points). Once you choose the second point, a dialog window will open, where you have to enter the known distance in the **Actual dimension** field. The application will automatically calculate the magnification of the image. Click **OK** to close the dialog window. The calculated magnification will be displayed in the **Magnification** field.

Note: chosen points should form a horizontal line.

You can check calibration results by measuring the same distance with the **Any Angle Line** tool. Click the measurements icon, choose the **Any Angle Line** tool and draw a similar line on the image. If the measured distance is equal to the actual distance, calibration has been successful.

Recalibration

The calibration process has to be repeated if the magnification or focus has been changed during observations.

Click the corresponding icon on the toolbar again and select **Reset picture magnification** from **Reset magnification**. Repeat the calibration process, as described above. Change the magnification and capture a few images. Double-click one of the thumbnails to open the resulting image in a preview window. Click the calibration icon on the toolbar and select **Set picture magnification** from **Set magnification**. Enter the current magnification in the dialog window that appears and click **OK**.

If you want to use the same magnification when capturing images in the future, click the calibration icon on the toolbar and select **Set capture magnification** from **Set magnification**.

Measurements

It is recommended to calibrate the system before proceeding with measurements.

Any Angle Line. Press and hold the left mouse button to start drawing a line. Release the left mouse button to complete the line.

Continuous Line. Use this tool to draw a curve on the image and measure its length.

Radius Circle. Draw a straight line on the image. The application will automatically calculate the radius, as well as circumference and area of the corresponding circle.

Diameter Circle. Draw a straight line on the image. The application will automatically calculate the diameter, as well as circumference and area of the corresponding circle.

Three Points Angle. Place three points on the image with your mouse. The application will automatically calculate the angle value.

Draw and text

PortableCaptureHD allows you to add drawings and textboxes to your images. Open an image in a preview window and click the **Pencil** icon on the toolbar. Select one of the tools from the drop-down menu and draw something on the image. By clicking the **TT** icon on the toolbar, you can edit font type and color to be used in textboxes.

Working with the application for Mac OS users

Browse to the **mac** folder on the installation CD and copy **PortableCaptureHD** file to the desktop. Use a USB cable to connect the microscope to your computer. Run the PortableCaptureHD application by double-clicking its icon.

A magnified image of the observed specimen may be seen in the main window of the application. From the **Options** menu, select **Preview Size** to set the image resolution. Keep in mind that the preview window cannot be resized (standard resolution is 640x480). The image resolution is shown in the bottom left corner of the preview window.

From the **Options** menu, select **Date/Time** to display or hide the date and time of capture during preview.

Click the corresponding icon on the toolbar or select **Photo** from the **Capture** menu to capture an image. An image thumbnail will appear on the right side of the main window. Click the corresponding icon on the toolbar or select **Video** from the **Capture** menu to start recording a video. A video thumbnail will appear on the right side of the main window.

Note: during recording, the camcorder icon on the toolbar will turn red. Click the icon again to stop recording.

Image and video thumbnails are displayed on the right side of the main window of the application. Double-click an image thumbnail to open it in a separate preview window.

Editing images with PortableCaptureHD application is similar to working with other applications in Mac OS.

From the main menu, select **Quit PortableCaptureHD** to exit the application.

Care and maintenance

Never, under any circumstances, look directly at the Sun, another bright source of light or at a laser through this device, as this may cause **PERMANENT RETINAL DAMAGE** and may lead to **BLINDNESS**. White LEDs are very bright; do not look at them as this may cause permanent damage to your vision. Take necessary precautions when using the device with children or others who have not read or who do not fully understand these instructions. After unpacking your microscope and before using it for the first time check for integrity and durability of every component and connection. Do not try to disassemble the device on your own for any reason. For repairs and cleaning of any kind, please contact your local specialized service center. Protect the device from sudden impact and excessive mechanical force. Do not apply excessive pressure when adjusting focus. Do not overtighten the locking screws. Do not touch the optical surfaces with your fingers. To clean the device exterior, use only special cleaning wipes and special optics cleaning tools from Levenhuk. Abrasive particles, such as sand, should not be wiped off lenses, but instead blown off or brushed away with a soft brush. Do not use the device for lengthy periods of time, or leave it unattended in direct sunlight. Keep the device away from water and high humidity. Be careful during your observations, always replace the dust cover after you are finished with observations to protect the device from dust and stains. If you are not using your microscope for extended periods of time, store the objective lenses and eyepieces separately from the microscope. Store the device in a dry, cool place away from hazardous acids and other chemicals, away from heaters, open fire and other sources of high temperatures. To avoid data loss or equipment damage, always close the application first, and then disconnect the microscope from your PC. Wait until the illumination goes off completely, and disconnect the microscope. **Seek medical advice immediately if a small part or a battery is swallowed.**

Battery safety instructions

Always purchase the correct size and grade of battery most suitable for the intended use. Always replace the whole set of batteries at one time; taking care not to mix old and new ones, or batteries of different types. Clean the battery contacts and also those of the device prior to battery installation. Make sure the batteries are installed correctly with regard to polarity (+ and -). Remove batteries from equipment that is not to be used for an extended period of time. Remove used batteries promptly. Never attempt to recharge primary batteries as this may cause leakage, fire, or explosion. Never short-circuit batteries as this may lead to high temperatures, leakage, or explosion. Never heat batteries in order to revive them. Remember to switch off devices after use. Keep batteries out of the reach of children, to avoid risk of ingestion, suffocation, or poisoning.

Specifications

Megapixels	3
Magnification, x	10–200
Available image resolutions	14M, 8M, 5M, 3M, 2M, WVGA
Available video resolutions	1080P Full HD, 720P, VGA
Photo/video format	*.jpeg / HDMI: *h.264; USB: *.jpeg
Focusing	manual, 10–500 mm
Illumination	8-LED system with variable brightness
Power source	USB 2.0 cable
Software language	English, German, Spanish, Russian, Italian, French, Portuguese, Dutch, Polish, Japanese, Korean, Chinese
Ability to connect additional equipment	support of microSD cards with capacity up to 32Gb (not included in the kit)
Operating temperature range, °C / °F	-5...+50 / 32... 122

Levenhuk reserves the right to modify or discontinue any product without prior notice.

System requirements

Any monitor with HDMI input; operating system: Windows XP/7/8/10, Mac 10.7 and above; CPU: P4 1.8GHz or above; RAM: 512 MB; GPU: 64Mb; interface: USB 2.0; CD-ROM Drive.

Levenhuk International Lifetime Warranty

All Levenhuk telescopes, microscopes, binoculars and other optical products, except for accessories, carry a **lifetime warranty** against defects in materials and workmanship. Lifetime warranty is a guarantee on the lifetime of the product on the market. All Levenhuk accessories are warranted to be free of defects in materials and workmanship for **six months** from date of retail purchase. The warranty entitles you to free repair or replacement of the Levenhuk product in any country where a Levenhuk office is located if all warranty conditions are met. For further details please visit our web site: <https://www.levenhuk.com/warranty>.

If warranty problems arise, or if you need assistance in using your product, contact the local Levenhuk branch.

Levenhuk DTX TV

Digitální mikroskop

CZ

Části mikroskopu

- | | | | |
|-------|------------------------|----|---------------------|
| 1 | Vstup DC + zdířka USB | 7 | Menu |
| 2 | Zdířka HDMI | 8 | Capture/OK |
| 3 | Slot pro kartu MicroSD | 9 | Dolů |
| 4 | LED reostat | 10 | LED |
| 5 | Hlavní vypínač | 11 | Zaostřovací kolečko |
| 6 | Mode (Playback/Photo) | 12 | Měřítko zvětšení |
| 13-17 | Šrouby | | |

Sada obsahuje: digitální mikroskop, stojan mikroskopu, AC adaptér, USB kabel, HDMI kabel, kalibrační stupnice, CD se softwarem, návod k použití.

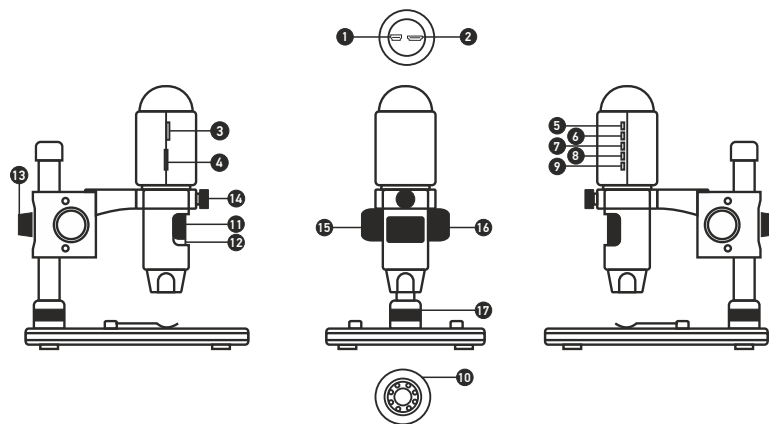
Montáž mikroskopu

Vyjměte mikroskop a veškeré příslušenství z obalu. Pracovní stůl umístěte na stabilní plochu. Na kovovou trubici stativu připevněte pojistný kroužek stativu (17). Kovovou trubici vložte do otvoru v pracovním stolku a pomocí kroužku (17) ji zajistěte na místě. Vložte mikroskop do upínací koncovky na rameni stativu a utáhněte aretační šroub (14). Utažením aretačního knoflíku (13) upevněte stativ na místě. Na pracovní stůl položte preparát a pomocí šroubu hrubého zaostření (16) proveďte hrubé zaostření obrazu. Pomocí šroubu jemného zaostření (11) obraz doostřete na maximální přesnost a ostrost. Po zaostření obrazu utažením šroubu aretace zaostření (15) zafixujte výsledek.

Práce s aplikací PortableCaptureHD

Do CD jednotky svého počítače vložte instalační CD. Zobrazí se okno hlavní nabídky. Kliknutím na položku **Install PortableCaptureHD** spusťte instalaci aplikace a postupujte podle pokynů na obrazovce. Instalační CD obsahuje kopii této uživatelské příručky, kterou můžete otevřít kliknutím na odpovídající položku v hlavní nabídce. Pomocí USB kabelu připojte mikroskop k počítači a spusťte aplikaci PortableCaptureHD. Není-li k počítači připojen mikroskop, otevře se okno se upozorněním.

Nikdy, za žádných okolností se tímto přístrojem nedívejte přímo do slunce, jiného světelného zdroje nebo laseru, neboť hrozí nebezpečí TRVALÉHO POŠKOZENÍ SÍTNICE a případně i OSLEPNUTÍ.



Snímat statický obraz



Zahájit a ukončit nahrávání videozáznamu



Snímat sekvenci (můžete nastavit dobu zahájení pořizování statických snímků nebo videozáznamu, interval mezi nimi, délku videozáznamu a počet statických snímků nebo videozáznamů, jež se mají poříditi)



Režim celé obrazovky. Režim celé obrazovky můžete ukončit stisknutím klávesy **Escape** na klávesnici nebo dvojným kliknutím na obrazovku

Jak mikroskop používat

Připojení k TV/monitoru prostřednictvím HDMI vstupu

1) HDMI kabelem připojte mikroskop k TV/monitoru prostřednictvím HDMI vstupu.

Zapněte TV/monitor a nastavte vstup HDMI.

2) Pomocí dodaného síťového adaptéru zapojte mikroskop do zásuvky. Pokud není mikroskop zapnutý, zapněte ho hlavním vypínačem (5) a můžete začít sledovat obraz na obrazovce TV/monitoru.

Poživování snímků

1) Vložte kartu MicroSD do slotu pro kartu MicroSD (3). Max. velikost karty: 32 GB.

2) Otáčejte zaostřovací kolečkem (11), abyste co nejlépe zaostřili obraz pozorovaného objektu.

3) Stiskněte tlačítko Capture/OK (Snímání/OK) (8) a zachycený snímek se uloží na vloženou kartu MicroSD.

Přehrávání

1) S kartou MicroSD ve slotu.

2) Stisknutím tlačítka Mode (6) přepněte do režimu přehrávání.

3) Stisknutím tlačítka Dolů (9) přejdete na předchozí uloženou fotografii. Dalším stisknutím tlačítka Mode (6) se vrátíte do aktuálního náhledu.

Hromadné ukládání do PC

1) S kartou MicroSD ve slotu.

2) USB kabelem připojte mikroskop k počítači a poté můžete zkopírovat uložené snímky do PC.

Náhled na PC

1) Funguje pouze s nainstalovaným podporovaným softwarem.

2) Vyjměte ze slotu kartu MicroSD.

3) USB kabelem připojte mikroskop k PC.

Hlavní menu I

Stisknutím tlačítka Menu (7) otevřete hlavní menu. Z tohoto menu můžete nastavit rozlišení obrazu, expozici, kvalitu a ostrost snímků nebo parametry pro sekvence snímků. Toto menu obsahuje také funkce Time-lapse (Časosběr) a Date Stamp (Časové razítko).

Resolution (Rozlišení)

Z hlavního menu I zvolte položku **Resolution** (Rozlišení) a stisknutím tlačítka Dolů (9) vyberte požadované rozlišení obrazu; volbu potvrďte tlačítkem Capture/OK (8).

Poznámka: tento model podporuje následující rozlišení: WVGA / 2M / 3M / 5M / 8M / 14M.

Time-lapse Capture (Časosběrný záznam)

Z hlavního menu I zvolte funkci **Time-lapse Capture** (Časosběrný záznam) a zadejte časové nastavení:

Lapse Num (Počet snímků): tlačítkem Dolů (9) zadejte množství požadovaných snímků, blok změňte stisknutím tlačítka Mode (6). Maximální počet snímků je 999, což znamená, že během nastavené doby časosběru (Lapse Time) bude po aktivování funkce Capture automaticky zaznamenáno 999 snímků.

Lapse Time (Doba časosběru): tlačítkem Dolů (9) zadejte časový interval pro záznam snímků, blok změňte stisknutím tlačítka Mode (6). Maximální nastavení je 999, což znamená, že časový interval pro každý záznam je 999 sekund.

Tlačítkem Capture/OK (Snímání/OK) (8) výběr potvrdíte a stisknutím tlačítka Menu (7) se vrátíte do aktuálního náhledu. Automatický záznam spustíte tlačítkem Capture/OK (Snímání/OK) (8). V režimu automatického záznamu se v pravém horním rohu zobrazuje počet zbývajících snímků.

Po dokončení všech snímků se mikroskop vrátí do normálního náhledu.

Při časosběrném záznamu by měl být časovač vypnutí mikroskopu delší než nastavená doba časosběru. Doporučené nastavení je 30 minut.

Quality (Kvalita)

Z hlavního menu I zvolte položku **Quality** (Kvalita) a vyberte jedno z dostupných nastavení. Tímto nastavením změňte stupeň komprese zachycených snímků.

Sharpness (Ostrost)

Z hlavního menu I zvolte položku **Sharpness** (Ostrost) a vyberte jedno z dostupných nastavení.

Exposure (Expozice)

Z hlavního menu I zvolte položku **Exposure** (Expozice) a poté vyberte cílovou hodnotu.

Date Stamp (Časové razítko)

Z hlavního menu I zvolte položku **Date Stamp** (Časové razítko) a poté vyberte cílovou možnost.

Hlavní menu II

Stisknutím tlačítka Menu (7) přejděte do hlavního menu I a poté opakovaným stisknutím tlačítka do hlavního menu II. V této části lze nastavit jazyk uživatelského rozhraní, zapnout úsporný režim, změnit kmitočet displeje, skrýt nebo zobrazit datum a čas, nastavit připojení k TV, naformátovat SD kartu, obnovit tovární nastavení a zkontrolovat verzi hardwaru.

Date and time (Datum a čas)

Tlačítkem Dolů (9) zvolte z hlavního menu II položku **Date/Time** (Datum/čas) a zadejte aktuální datum a čas. Zadání potvrdíte tlačítkem Capture/OK (8). Vybrat zde můžete rovněž některý z těchto formátů data: RR/MM/DD, DD/MM/RR nebo MM/DD/RR. Stisknutím tlačítka Menu (7) se vrátíte do aktuálního náhledu.

Automatické vypnutí

Z hlavního menu II zvolte položku **Auto Power Off** (Automatické vypnutí) a nastavte dobu nečinnosti, po níž se mikroskop automaticky vypne. Výběr potvrďte tlačítkem Capture/OK (8).

Language (Jazyk)

Z hlavního menu II zvolte položku **Language** (Jazyk) a vyberte jedno z dostupných nastavení. Výběr potvrďte tlačítkem Capture/OK (8).

TV Mode (Režim TV)

Z hlavního menu II zvolte položku **TV Mode** (Režim TV) a poté vyberte správný režim, kompatibilní s vaším televizorem: NTSC, nebo PAL. Výběr potvrďte tlačítkem Capture/OK (8).

Frequency (Kmitočety)

Z hlavního menu II zvolte položku **Frequency** (Kmitočety) a vyberte jedno z dostupných nastavení. Výběr potvrďte tlačítkem Capture/OK (8).

Format MicroSD card (Formátovat kartu MicroSD)

Chcete-li zformátovat nainstalovanou paměťovou kartu, zvolte z hlavního menu II položku **Format SD** (Formátovat kartu SD). **Všechny soubory na kartě budou při formátování smazány.** Formátovat kartu není normálně nutné, dokud na ni lze ukládat zachycené snímky.

Settings reset (Tovární nastavení)

Chcete-li obnovit tovární nastavení, zvolte z hlavního menu II položku **Default Setting** (Výchozí nastavení).

Hardware version (Verze hardwaru)

Chcete-li zkontrolovat aktuální verzi hardwaru, zvolte z hlavního menu II položku **Version** (Verze hardwaru).

File (Soubor)

Photos Directory (Složka pro fotografie): nastavení složky k ukládání pořízených snímků.

Videos Directory (Složka pro videozáznamy): nastavení složky k ukládání pořízených videozáznamů.

Options (Možnosti)

Resolution (Rozlišení): nastavení rozlišení obrazu.

Date/Time (Datum/čas): během náhledu zobrazí nebo skryje datum a čas pořízení.

Language (Jazyk): změna jazyka uživatelského rozhraní.

XY Guide (Mřížka): zobrazí nebo skryje mřížku na snímcích.

Full screen mode: (Režim celé obrazovky) přechod do režimu plné obrazovky.



Uložit jako



Kopírovat do schránky



Kopírovat soubor



Předchozí snímek



Další snímek



Vrátit zpět poslední činnost



Opakovat poslední činnost



Nakreslit



Text



Měření



Kalibrace

Capture (Snímání)

Photo: snímání statického obrazu.

Video: pořízení videozáznamu.

Snímání obrazu

Klikněte na příslušnou ikonu v panelu nástrojů nebo v nabídce **Capture** (Snímání) zvolte možnost **Photo**.

Pořizování videozáznamů

Klikněte na příslušnou ikonu v panelu nástrojů nebo v nabídce **Capture** (Snímání) zvolte možnost **Video**.

Zachycování sekvencí

Klikněte na příslušnou ikonu v panelu nástrojů. Otevře se dialogové okno, v němž můžete nastavit řadu parametrů pro snímání sekvencí. Klikněte na přepínač **Photo** a nastavte čas zahájení pořizování snímků, interval mezi nimi a celkový počet snímků. Klikněte na přepínač **Video** a nastavte dobu zahájení nahrávání videozáznamů, jejich délku, interval mezi nimi a celkový počet videosnímků.

Kalibrace

Před zahájením kalibrace mikroskopu zapněte zobrazení mřížky. To se provede volbou možnosti **on (zapnuto)** v nabídce **Options > XY Guide** (Možnosti > Mřížka). Ve výchozím nastavení se mřížka zobrazuje. Na pracovní stolek položte kalibrační stupnici a zaostřete obraz. Ujistěte se, zda je vísavá osa mřížky souběžná s dílkou stupnice, a poříďte snímek. Dvojitým kliknutím na náhled obrázku jej otevřete v samostatném okně. Kliknutím na příslušnou ikonu v panelu nástrojů zahajte kalibraci. Pomocí myši zvolte dva body na snímku (musíte znát skutečnou vzdálenost mezi těmito body). Jakkmile vyberete druhý bod, otevře se dialogové okno, kde do pole **Actual dimension** (Skutečný rozměr) zadáte známou vzdálenost. Aplikace automaticky vypočte zvětšení obrazu. Tlačítkem **OK** dialogové okno zavřete. Vypočtené zvětšení se zobrazí v poli **Magnification** (Zvětšení).

Poznámka: vybrané body by měly být ve vodorovné linii.

Výsledky kalibrace můžete zkontrolovat tak, že stejnou vzdálenost změříte pomocí nástroje **Any Angle Line** (Čára v libovolném úhlu). Klikněte na ikonu měření, zvolte nástroj **Any Angle Line** (Čára v libovolném úhlu) a na snímku nakreslete podobnou čáru. Je-li naměřená vzdálenost stejná jako skutečná, proběhla kalibrace úspěšně.

Rekalibrace

Došlo-li během pozorování ke změně hodnoty zvětšení nebo zaostření, kalibrační proces je nutné zopakovat.

Klikněte znovu na příslušnou ikonu na panelu nástrojů a z nabídky **Reset magnification** (Resetovat zvětšení) zvolte možnost **Reset picture magnification** (Resetovat zvětšení obrazu). Výše uvedeným postupem opakujte proces kalibrace. Změňte hodnotu zvětšení a poříďte několik snímků. Dvojitým kliknutím na náhledy otevřete výsledný snímek k nahlédnutí v samostatném okně. V panelu nástrojů klikněte na ikonu kalibrace a z nabídky **Set magnification** (Nastavit zvětšení) zvolte možnost **Set picture magnification** (Nastavit zvětšení obrazu). V dialogovém okně, které se otevře, zadejte aktuální zvětšení a klikněte na tlačítko **OK**. Chcete-li při pořizování snímků v budoucnu použít stejné zvětšení, klikněte na ikonu kalibrace a v nabídce **Set magnification** (Nastavit zvětšení) zvolte možnost **Set capture magnification** (Nastavit zvětšení při snímání).

Měření

Před zahájením měření doporučujeme provést kalibraci systému.

Any Angle Line (Čára v libovolném úhlu). Chcete-li začít kreslit čáru, stiskněte a přidržte levé tlačítko myši. Čáru ukončíte uvolněním levého tlačítka myši.

Continuous Line (Souvislá čára). Pomocí tohoto nástroje můžete na snímku nakreslit křivku a změřit její délku.

Radius circle (Poloměr kruhu). Na snímku nakreslete přímkou. Aplikace automaticky vypočte poloměr, obvod a plochu odpovídajícího kruhu.

Diameter circle (Průměr kruhu). Na snímku nakreslete přímkou. Aplikace automaticky vypočte průměr, obvod a plochu odpovídajícího kruhu.

Three Points Angle (Úhel ze tří bodů). Pomocí myši umístěte na snímku tři body. Aplikace automaticky vypočte hodnotu úhlu.

Kreslení a text

Aplikace PortableCaptureHD umožňuje do snímků přidávat kresby nebo textová pole. Snímek otevřete v okně náhledu a v panelu nástrojů klikněte na ikonu **Pencil** (Tužka). Vyberte jeden z nástrojů v rozbalovací nabídce a něco na snímek nakreslete. Po kliknutí na ikonu **TT** v panelu nástrojů můžete upravit typ a barvu písma, které se bude používat v textových polích.

Práce s aplikací v prostředí Mac OS

Na instalačním CD přejděte do složky **mac** a na plochu počítače zkopírujte soubor **PortableCaptureHD**. Pomocí kabelu USB mikroskop připojte k počítači. Dvojitým kliknutím na ikonu PortableCaptureHD spusťte aplikaci.

Zvětšený obraz pozorovaného preparátu lze pozorovat v hlavním okně aplikace. V nabídce **Options** (Možnosti) zvolte možnost **Preview Size** (Velikost náhledu) a nastavte rozlišení obrazu. Mějte na paměti, že velikost okna náhledu nelze měnit (standardní rozlišení je 640x480). Hodnota rozlišení obrazu se zobrazuje v levém dolním rohu okna náhledu.

V nabídce **Options** (Možnosti) zvolte možnost **Date/Time** (Datum/čas), pomocí níž lze během náhledu zobrazit nebo skrýt datum a čas pořízení snímku.

Klikněte na příslušnou ikonu v panelu nástrojů nebo v nabídce **Capture** (Snímání) zvolte možnost **Photo**. Na pravé straně hlavního okna se zobrazí náhled snímku. Klikněte na příslušnou ikonu v panelu nástrojů nebo v nabídce **Capture** (Snímání) zvolte možnost **Video**.

Poznámka: během nahrávání se barva ikona kamery v panelu nástrojů změní na červenou. Dalším kliknutím na tuto ikonu nahrávání ukončíte.

Náhledy statických snímků i videozáznamů se zobrazují na pravé straně hlavního okna aplikace. Dvojitým kliknutím na náhled obrázku jej otevřete v samostatném okně náhledu.

Úpravy obrázků pomocí aplikace PortableCaptureHD se provádějí obdobně jako při práci s jinými aplikacemi v systému Mac OS.

Aplikaci ukončíte kliknutím na položku **Quit PortableCaptureHD** (Ukončit PortableCaptureHD) v hlavní nabídce.

Péče a údržba

Nikdy, za žádných okolností se tímto přístrojem nedívejte přímo do slunce, jiného světelného zdroje nebo laseru, neboť hrozí nebezpečí TRVALÉHO POŠKOZENÍ SÍTNICE a případně i OSLEPNUTÍ. Bílé LED žárovky jsou velmi jasné; nedívejte se přímo do nich, hrozí nebezpečí trvalého poškození zraku. Při použití tohoto přístroje dětmi nebo osobami, které tento návod nečetly nebo s jeho obsahem nebyly plně seznámeny, uplatněte nezbytná preventivní opatření. Nepokoušejte se přístroj sami rozebrat. S opravami veškerého druhu se obračejte na své místní specializované servisní středisko. Po vybalení mikroskopu a před jeho prvním použitím zkontrolujte neporušenost jednotlivých komponent a spojů. Nedotýkejte se svými prsty povrchů optiky. K vyčištění čoček můžete použít měkký ubrousek nebo čistící utěrku navlhčené v éteru, případně v čistém alkoholu. Doporučujeme používat speciální čistící prostředky na optiku značky Levenhuk. K čištění optiky nepoužívejte žádné žíraviny ani kapaliny na acetonové bázi. Abrasivní částice, například písek, by se neměly z čoček otírat, ale sfouknout nebo smést měkkým kartáčkem. Při zaostřování nevyvíjejte nadměrný tlak. Neutahujte šrouby konstrukce příliš silně. Přístroj chraňte před prudkými nárazy a nadměrným mechanickým namáháním. Přístroj ukládejte na suchém, chladném místě, mimo dosah možných zdrojů prachu, nebezpečných kyselin nebo jiných chemikálií, topných těles, otevřeného ohně a jiných zdrojů vysokých teplot. Přístroj příliš dlouho nepoužívejte ani neponechávejte bez dozoru na přímém slunci. Chraňte přístroj před stykem s vodou. Při pozorování dbejte na opatrnost; po skončení pozorování vždy nasadte ochranný kryt, abyste mikroskop ochránili před prachem a jiným znečištěním. Pokud svůj mikroskop nebudete delší dobu používat, uložte čočky objektivu a okuláru odděleně od samotného mikroskopu. Chcete-li předejít ztrátě dat nebo poškození zařízení, vždy nejprve zavřete aplikaci a teprve poté odpojte mikroskop od svého počítače. Počkejte, až osvětlení zcela zhasne, a pak odpojte mikroskop. Při náhodném požití malé součásti nebo baterie ihned vyhledejte lékařskou pomoc.

Bezpečnostní pokyny týkající se baterií

Vždy nakupujte baterie správné velikosti a typu, které jsou nevhodnější pro zamýšlený účel. Při výměně vždy nahrazujte celou sadu baterií a dbejte na to, abyste nemíchali staré a nové baterie, případně baterie různých typů. Před instalací baterií vyčistěte kontakty na baterii i na přístroji. Ujistěte se, zda jsou baterie instalovány ve správné polaritě (+ resp. -). V případě, že zařízení nebudete delší dobu používat, vyjměte z něj baterie. Použité baterie včas vyměňujte. Baterie se nikdy nepokoušejte dobít, mohlo by dojít k úniku obsahu baterie, požáru nebo k explozi. Baterie nikdy nezkratujte, mohlo by to vést ke zvýšení teploty, úniku obsahu baterie nebo k explozi. Baterie se nikdy nepokoušejte oživit zahříváním. Po použití nezapomeňte přístroj vypnout. Baterie uchovávejte mimo dosah dětí, abyste předešli riziku spolknutí, vdechnutí nebo otravy.

Technické údaje

Megapixelů	3
Zvětšení, x	10–200
Dostupná rozlišení obrazu	14M, 8M, 5M, 3M, 2M, WVGA
Dostupná rozlišení videozáznamů	1080P Full HD, 720P, VGA
Foto/Video	*.jpg / HDMI: *.h.264; USB: *.mjpeg
Zaostření	ruční, 10–500 mm
Osvětlení	systém s 8 LED žárovkami, s regulací jasu
Napájení	USB 2.0 kabel
Jazyk software	angličtina, němčina, španělština, ruština, italština, francouzština, portugálština, holandština, polština, japonština, korejština, čínština
Možnost připojení dalších zařízení	podpora karet microSD o kapacitě až 32 GB (není součástí sady)
Rozsah provozních teplot, °C	-5...+50

Společnost Levenhuk si vyhradzuje právo provádět bez předchozího upozornění úpravy jakéhokoliv výrobku, případně zastavit jeho výrobu.

Systémové požadavky

Monitor: libovolné zobrazovací zařízení se vstupem HDMI; operační systém: Windows XP/7/8/10, Mac verze 10.7 nebo vyšší; CPU: minimálně P4 1,8 Ghz; RAM: 512 MB; GPU: 64 Mb; rozhraní: USB 2.0; CD-ROM.

Mezinárodní doživotní záruka Levenhuk

Na veškeré teleskopy, mikroskopy, triedry a další optické výrobky značky Levenhuk, s výjimkou příslušenství, se poskytuje **doživotní záruka** pokrývající vady materiálu a provedení. Doživotní záruka je záruka platná po celou dobu životnosti produktu na trhu. Na veškeré příslušenství značky Levenhuk se poskytuje záruka toho, že je dodáváno bez jakýchkoli vad materiálu a provedení, a to po dobu **dvou let** od data zakoupení v maloobchodní prodejně. Tato záruka vám v případě splnění všech záručních podmínek dává nárok na bezplatnou opravu nebo výměnu výrobku značky Levenhuk v libovolné zemi, v níž se nachází pobočka společnosti Levenhuk. Další informace – navštivte naše webové stránky: <http://www.levenhuk.cz/zaruka>.

V případě problémů s uplatněním záruky, nebo pokud budete potřebovat pomoc při používání svého výrobku, obraťte se na místní pobočku společnosti Levenhuk.

Levenhuk DTX TV

Digitales Mikroskop

DE

Richten Sie das Instrument unter keinen Umständen direkt auf die Sonne, andere helle Lichtquellen oder Laserquellen. Es besteht die Gefahr DAUERHAFTER NETZZHAUTSCHÄDEN und ERBLINDUNGSEGEFAHR.

Mikroskopkomponenten

- | | |
|--|------------------------|
| 1 Gleichstromeingang und USB-Schnittstelle | 7 Menü |
| 2 HDMI-Schnittstelle | 8 Aufnahme/OK |
| 3 MicroSD-Einschub | 9 Abwärts |
| 4 LED-Dimmer | 10 LED |
| 5 Ein/Aus | 11 Fokussierrad |
| 6 Modus (Wiedergabe/Foto) | 12 Vergrößerungslineal |
| | 13-17 Schrauben |

Lieferumfang: Digitales Mikroskop, Mikroskopständer, Stromnetzadapter, USB-Kabel, HDMI-Kabel, Kalibrierungsskala, Software-CD, Bedienungsanleitung.

Zusammenbau des Mikroskops

Nehmen Sie das Mikroskop und alles Zubehör aus der Verpackung. Platzieren Sie den Objektstisch auf einer stabilen Oberfläche. Bringen Sie den Montierungs-Verschlussring (17) an dem Metallrohr der Montierung an. Führen Sie das Metallrohr in die Öffnung auf dem Objektstisch ein und fixieren Sie es mit dem Ring (17). Führen Sie das Mikroskop in die Klemme am Arm der Montierung ein und ziehen Sie die Arretierschraube (14) an. Fixieren Sie den Arm der Montierung, indem Sie den Arretierknopf (13) festziehen. Legen Sie eine Probe auf den Objektstisch und stellen Sie das Bild mit dem Grobfokussierknopf (16) scharf. Für optimale Präzision und Schärfe können Sie die Einstellung mit dem Feinfokussierknopf (11) nachregeln. Wenn das Bild scharfgestellt ist, ziehen Sie den Fokus-Arretierknopf (15) an, um die Scharfstellung zu arretieren.

Softwareinstallation

Legen Sie die Installations-CD ins CD-Laufwerk ein. Das Hauptmenü wird angezeigt. Klicken Sie auf „PortableCaptureHD“, um die Anwendung zu installieren, und folgen Sie den angezeigten Anweisungen. Schließen Sie das Mikroskop mit einem USB-Kabel an Ihren PC an und starten Sie die Anwendung „PortableCaptureHD“. Ist das Mikroskop nicht an den PC angeschlossen, erscheint eine Warnmeldung.

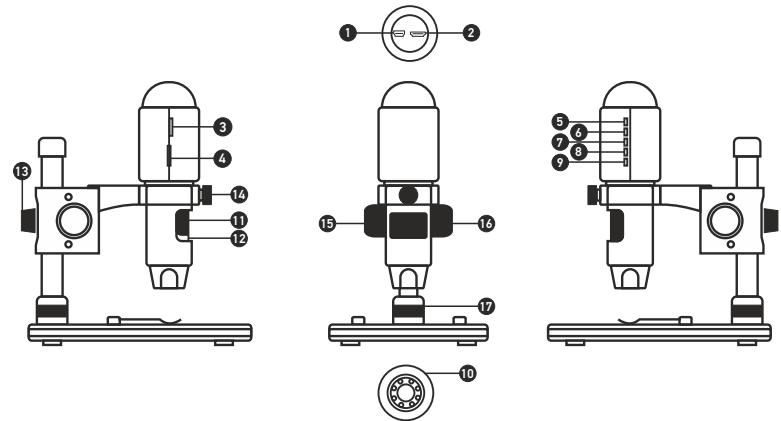


Bild aufnehmen



Videoaufnahme starten und stoppen



Aufnahmereihe (Startzeitpunkt, Intervall zwischen den einzelnen Bildern bzw. Videos, Videodauer und Anzahl der aufzunehmenden Bilder bzw. Videos sind wählbar)



Vollbildansicht. Zum Verlassen der Vollbildansicht Esc drücken oder irgendwo auf dem Bildschirm doppelklicken

Bedienung des Mikroskops

An Fernseher/Monitor mit HDMI-Eingang anschließen

1. Schließen Sie das Mikroskop mit dem HDMI-Kabel an den Fernseher/Monitor mit HDMI-Eingang an. Schalten Sie den Fernseher/Monitor ein und wählen Sie den HDMI-Eingang als Quelle aus.
2. Betreiben Sie das Mikroskop mit dem mitgelieferten Netzteil. Schalten Sie das Mikroskop gegebenenfalls mit der Ein/Aus-Taste (5) ein. Danach können Sie die Vorschau starten.

Foto aufnehmen

1. Setzen Sie eine MicroSD-Karte in den MicroSD-Einschub (3) ein. Max. Kartengröße: 32 GB.
2. Drehen Sie das Fokussierrad (11) und stellen Sie damit das Bild scharf.
3. Drücken Sie die Taste Aufnehmen/OK (8). Das aufgenommene Foto wird auf der MicroSD-Karte gespeichert.

Wiedergabe

1. Die MicroSD-Karte muss in den Einschub eingelegt sein.
2. Wechseln Sie mit der Modustaste (6) in den Wiedergabemodus.
3. Drücken Sie die Abwärts-Taste (9), um sich das vorherige Foto anzusehen. Wenn Sie die Modustaste (6) erneut drücken, kehren Sie zur Vorschau zurück.

Massenspeicher am PC

1. Die MicroSD-Karte muss in den Einschub eingelegt sein.
2. Verbinden Sie das Mikroskop über das USB-Kabel mit dem PC. Anschließend können Sie Bilder von der Karte auf den Computer übertragen.

Vorschau auf PC

1. Funktioniert nur, wenn die unterstützte Software installiert ist.
2. Nehmen Sie die MicroSD-Karte aus dem Einschub heraus.
3. Verbinden Sie das Mikroskop über das USB-Kabel mit dem PC.

Hauptmenü I

Drücken Sie die Menütaste (7), um das Hauptmenü zu öffnen. In diesem Menü können Sie die Auflösung, Belichtung, Qualität und Schärfe des Bildes einstellen sowie Parameter für Aufnahmereihen festlegen. Dieses Menü enthält auch die Funktionen Time-lapse (Zeitraffer) und Date Stamp (Zeitstempel).

Auflösung

Wählen Sie im Hauptmenü I die Option **Auflösung** aus und dann die erforderliche Bildauflösung. Drücken Sie dazu die Abwärts-Taste (9) und dann zur Bestätigung die Taste Aufnehmen/OK (8).

Hinweis: Dieses Modell unterstützt die folgenden Auflösungen: WVGA, 2M, 3M, 5M, 8M und 14M.

Zeitrafferaufnahme

Wählen Sie im Hauptmenü I die Option **Time-lapse Capture** (Zeitrafferaufnahme) aus und konfigurieren Sie dann die Option **Time (Zeit)**:

Lapse Num (Anzahl): Legen Sie mit der Abwärts-Taste (9) die gewünschte Bildanzahl fest. Mit der Modustaste (6) wechseln Sie zur nächsten Ziffer. Die maximale Anzahl ist 999. Damit werden also später bei aktivierter Zeitrafferfunktion automatisch 999 Bilder aufgenommen.

Lapse Time (Zeit): Legen Sie mit der Abwärts-Taste (9) den Zeitabstand zwischen den Aufnahmen fest. Mit der Modustaste (6) wechseln Sie zur nächsten Ziffer. Der Maximalwert ist 999. Damit liegt der Zeitabstand zwischen den Aufnahmen bei 999 Sekunden.

Bestätigen Sie die Auswahl mit der Taste Aufnehmen/OK (8). Kehren Sie dann mit der Menütaste (7) zur Vorschau zurück. Drücken Sie jetzt die Taste Aufnehmen/OK (8), um die automatische Aufnahme zu starten. Im automatischen Aufnahmemodus wird die Bildanzahl in der rechten oberen Ecke heruntergezählt.

Nachdem alle Bilder aufgenommen wurden, befindet sich das Mikroskop wieder im Vorschaumodus.

Für Zeitrafferaufnahmen muss die Zeit für die automatische Abschaltung länger sein als die Zeitrafferdauer. Es empfiehlt sich eine Zeit von 30 Minuten.

Qualität

Wählen Sie im Hauptmenü I die Option **Qualität** aus und dann eine der angebotenen Einstellungen. Diese Option ändert die Kompressionsrate der aufgenommenen Bilder.

Schärfe

Wählen Sie im Hauptmenü I die Option **Schärfe** aus und dann eine der angebotenen Einstellungen.

Belichtung (Helligkeit)

Wählen Sie im Hauptmenü I die Option **Belichtung** aus und dann einen gewünschten Wert.

Zeitstempel

Wählen Sie im Hauptmenü I die Option **Zeitstempel** aus und dann eine gewünschte Option.

Hauptmenü II

Drücken Sie die Menütaste (7), um ins Hauptmenü I zu gelangen. Drücken Sie sie erneut, um ins Hauptmenü II zu gelangen. Auf dieser Seite können Sie die Sprache der Benutzerführung ändern, den Stromsparmodus einschalten, die Displayfrequenz ändern, Datum und Zeit ein- und ausblenden, die Verbindung zum Fernseher einrichten, die SD-Karte formatieren, Einstellungen zurücksetzen und die Hardwareversion prüfen.

Datum und Zeit

Wählen Sie im Hauptmenü II mit der Abwärts-Taste (9) die Option **Datum/Zeit** aus. Stellen Sie danach das aktuelle Datum und die aktuelle Zeit ein. Bestätigen Sie die Eingabe mit der Taste Aufnahme/OK (8). Sie können auch eines der folgenden Datumsformate auswählen: YY/MM/DD, DD/MM/YY oder MM/DD/YY. Kehren Sie mit der Menütaste (7) in den Vorschaumodus zurück.

Strom sparen

Wählen Sie im Hauptmenü II die Option **Automatisch ausschalten** aus. Stellen Sie dann die Zeit ein, nach der sich das Mikroskop bei Ausbleiben von Benutzereingaben automatisch abschaltet. Bestätigen Sie die Auswahl mit der Taste Aufnahme/OK (8).

Sprache

Wählen Sie im Hauptmenü II die Option **Sprache** aus und dann eine der angebotenen Einstellungen. Bestätigen Sie die Auswahl mit der Taste Aufnahme/OK (8).

TV-Verbindung

Wählen Sie im Hauptmenü II die Option **TV-Modus** aus. Wählen Sie dann den zu Ihrem Fernseher kompatiblen Modus, NTSC oder PAL, aus. Bestätigen Sie die Auswahl mit der Taste Aufnahme/OK (8).

Displayfrequenz

Wählen Sie im Hauptmenü II die Option **Frequenz** aus und dann eine der angebotenen Einstellungen. Bestätigen Sie die Auswahl mit der Taste Aufnahme/OK (8).

MicroSD-Karte formatieren

Wählen Sie im Hauptmenü II die Option **SD formatieren** aus, um die eingelegte Speicherkarte zu formatieren. **Durch die Formatierung werden alle Dateien auf der Karte gelöscht.** Normalerweise müssen SD-Karten nicht formatiert werden, außer Sie können darauf keine Aufnahmen mehr speichern.

Einstellungen zurücksetzen

Wählen Sie im Hauptmenü II die Option **Standardwerte** aus, um die Werkseinstellungen wiederherzustellen.

Hardwareversion

Wählen Sie im Hauptmenü II die Option **Version** aus, um die aktuelle Hardwareversion zu prüfen.

Datei

Foto-Verzeichnis: Verzeichnis zum Speichern aufgenommener Bilder wählen.

Video-Verzeichnis: Verzeichnis zum Speichern aufgezeichneter Videos wählen.

Optionen

Auflösung: Bildauflösung wählen.

Datum/Zeit: Datum und Uhrzeit der Aufnahme bei der Voransicht ausblenden oder anzeigen.



Speichern



In die Zwischenablage kopieren



Datei kopieren



Vorherige



Nächste



Rückgängig



Wiederherstellen



Zeichnung



Hinweis



Messung



Kalibrierung

Sprache: Sprache der Benutzeroberfläche ändern.

Fadenkreuz: Gitter auf den Bildern anzeigen oder ausblenden.

Vollbildansicht: In Vollbildansicht wechseln.

Erfassen

Foto: Bild aufnehmen.

Video: Video aufzeichnen.

Aufnehmen eines Bilds. Klicken Sie auf das entsprechende Symbol in der Symbolleiste, oder wählen Sie im Menü **Erfassen** den Eintrag **Foto**.

Aufzeichnen eines Videos. Klicken Sie auf das entsprechende Symbol in der Symbolleiste, oder wählen Sie im Menü **Erfassen** den Eintrag **Video**.

Aufnahmereihe

Klicken Sie auf das entsprechende Symbol in der Symbolleiste. Es wird ein Dialogfenster angezeigt, in dem Sie eine Reihe von Parametern für die Erfassung von Bild- und Videosequenzen einstellen können. Klicken Sie für Bilder auf das Optionsfeld **Foto** und legen Sie den Anfangszeitpunkt der Aufnahmereihe, die Intervalle zwischen den Aufnahmen und die Gesamtzahl der aufzunehmenden Bilder fest.

Klicken Sie für Videos auf das Optionsfeld **Video** und legen Sie den Anfangszeitpunkt der Aufnahmereihe, die Dauer der einzelnen Videos, das Intervall und die Gesamtzahl aufzunehmender Videos an.

Kalibrieren

Schalten Sie die Gitteranzeige ein, bevor Sie das Mikroskop kalibrieren. Wählen Sie dazu im Menü **Optionen** unter dem Eintrag **Fadenkreuz** die Option **ein**.

Standardmäßig ist das Fadenkreuz sichtbar. Legen Sie die Kalibrierungsskala auf den Objektisch und stellen Sie das Bild scharf. Die vertikale Achse des Fadenkreuz muss parallel zur Skalenteilung verlaufen. Nehmen Sie ein Bild auf. Klicken Sie doppelt auf die Miniaturansicht des Bilds, um es in einem separaten Fenster zu öffnen. Starten Sie die Kalibrierung, indem Sie auf das entsprechende Symbol in der Symbolleiste klicken. Wählen Sie mit der Maus zwei Punkte auf dem Bild, deren tatsächlichen Abstand Sie kennen. Nachdem Sie den zweiten Punkt ausgewählt haben, öffnet sich ein Dialogfenster. Tragen Sie im Feld **Istmaß** den bekannten Abstand ein... Die Anwendung berechnet automatisch die Vergrößerung des Bilds. Klicken Sie auf **OK**. Das Dialogfenster wird geschlossen. Die berechnete Vergrößerung wird im Feld **Vergrößerung** angezeigt.

Hinweis: Die gewählten Punkte müssen auf einer horizontalen Linie liegen.

Zum Überprüfen der Kalibrierung können Sie mit dem Instrument **Abstand** erneut denselben Abstand vermessen. Klicken Sie auf das Messungen-Symbol, wählen Sie das Instrument **Abstand** und zeichnen Sie die entsprechende Linie auf dem Bild. Ist der gemessene Abstand gleich dem tatsächlichen Abstand, war die Kalibrierung erfolgreich.

Neukalibrierung

Wird während der Beobachtung die Vergrößerung oder die Scharfstellung verändert, muss die Kalibrierung wiederholt werden. Klicken Sie erneut auf das entsprechende Symbol in der Symbolleiste und wählen Sie unter **Vergrößerung zurücksetzen** die Option **Bildvergrößerung zurücksetzen**. Wiederholen Sie den Kalibriervorgang wie oben beschrieben. Ändern Sie die Vergrößerung und nehmen Sie einige Bilder auf. Klicken Sie doppelt auf die Miniaturansichten, um das entsprechende Bild in einem Vorschaufenster anzuzeigen. Klicken Sie in der Symbolleiste auf das Kalibrierungssymbol und wählen Sie unter **Vergrößerung einstellen** die Option **Bildvergrößerung einstellen**. Geben Sie in dem Dialogfenster, das angezeigt wird, die aktuelle Vergrößerung ein, und klicken Sie auf **OK**.

Wenn Sie bei der Aufnahme von Bildern später dieselbe Vergrößerung erneut verwenden, klicken Sie auf das Kalibrierungssymbol in der Symbolleiste und wählen Sie unter **Vergrößerung einstellen** die Option **Vorschauvergrößerung einstellen**.

Messungen

Bevor Sie mit der Messung beginnen, muss das System kalibriert werden.

Abstand. Klicken Sie auf den Anfangspunkt der gewünschten Linie und halten Sie die linke Maustaste gedrückt. Ziehen Sie die Maus zum Endpunkt der Linie und lassen Sie die linke Maustaste los.

Linienzug. Mit diesem Instrument können Sie einen Linienzug auf dem Bild zeichnen und ihre Gesamtlänge messen.

Radius. Zeichnen Sie eine gerade Linie auf dem Bild. Die Anwendung berechnet automatisch den Radius sowie den Umfang und die Fläche des zu diesem Radius gehörigen Kreises.

Durchmesser. Zeichnen Sie eine gerade Linie auf dem Bild. Die Anwendung berechnet automatisch den Durchmesser sowie den Umfang und die Fläche des zu diesem Durchmesser gehörigen Kreises.

3 Punkte Winkel. Platzieren Sie mit der Maus drei Punkte auf dem Bild. Die Anwendung berechnet automatisch den eingeschlossenen Winkel.

Zeichnen und Beschriften

Mit PortableCaptureHD können Sie auf Ihren Bildern zeichnen oder sie mit Hinweisen versehen. Öffnen Sie ein Bild in einem Vorschaufenster und klicken Sie auf das Bleistiftsymbol in der Symbolleiste. Wählen Sie eines der Werkzeuge aus dem Dropdown-Menü und zeichnen Sie etwas auf dem Bild. Zum Ändern der Schriftart und -farbe von Hinweisen können Sie auf das TT Symbol in der Symbolleiste klicken.

Verwenden der Anwendung unter Mac OS

Öffnen Sie den Ordner **mac** auf der Installations-CD und kopieren Sie die Datei **PortableCaptureHD** auf den Schreibtisch. Schließen Sie das Mikroskop mit einem USB-Kabel an Ihren Computer an. Führen Sie das Programm „PortableCaptureHD“ aus. Klicken Sie dazu doppelt auf sein Symbol.

Das Hauptfenster des Programms zeigt ein vergrößertes Bild der beobachteten Probe. Wählen Sie zum Einstellen der Bildauflösung im Menü **Optionen** den Eintrag **Vorsichtsgröße**. Denken Sie daran, dass die Größe des Vorsichtsfensters nicht verändert werden kann (Standardauflösung: 640x480). Die Bildauflösung wird unten links im Vorsichtsfenster angezeigt.

Wählen Sie im Menü **Optionen** den Eintrag **Datum/Zeit**, um Datum und Uhrzeit der Aufnahme bei der Vorsicht ausblenden oder anzeigen.

Um ein Bild aufzunehmen, wählen Sie im Menü **Capture** (Erfassen) den Eintrag **Photo** (Foto), oder klicken Sie auf das entsprechende Symbol in der Symbolleiste. Rechts im Hauptfenster erscheint eine Foto-Miniaturansicht.

Um ein Video aufzunehmen, wählen Sie im Menü **Capture** (Erfassen) den Eintrag **Video** (Video), oder klicken Sie auf das entsprechende Symbol in der Symbolleiste. Rechts im Hauptfenster erscheint eine Video-Miniaturansicht.

Hinweis: Bei der Videoaufnahme wird das Camcorder-Symbol in der Symbolleiste rot. Klicken Sie erneut auf das Symbol, um die Aufnahme zu beenden.

Rechts im Hauptfenster des Programms werden Miniaturansichten der aufgenommenen Fotos und Videos angezeigt. Klicken Sie doppelt auf eine Miniaturansicht, um das zugehörige Bild in einem separaten Fenster zu öffnen.

Das Bearbeiten von Bildern mit **PortableCaptureHD** erfolgt analog zur Arbeit mit anderen Programmen unter Mac OS.

Klicken Sie auf **Quit (Beenden)** um die Anwendung zu beenden.

Pflege und Wartung

Richten Sie das Instrument ohne Spezialfilter unter keinen Umständen direkt auf die Sonne, andere helle Lichtquellen oder Laserquellen. Es besteht die Gefahr DAUERHAFTER NETZHAUTSCHÄDEN und ERBLINDUNGSGEFAHR. Weiße LEDs sind sehr hell. Nicht direkt in die LEDs blicken. Gefahr dauerhafter Augenschäden! Treffen Sie geeignete Vorsichtsmaßnahmen, wenn Kinder oder Menschen das Instrument benutzen, die diese Anleitung nicht gelesen bzw. verstanden haben. Prüfen Sie nach dem Auspacken des Mikroskops und vor der ersten Verwendung die einzelnen Komponenten und Anschlüsse auf Unversehrtheit und Beständigkeit. Versuchen Sie egal aus welchem Grunde nicht, das Instrument selbst auseinanderzubauen. Wenden Sie sich für Reparaturen oder zur Reinigung an ein spezialisiertes Servicecenter vor Ort. Schützen Sie das Instrument vor plötzlichen Stößen und übermäßiger mechanischer Krafteinwirkung. Üben Sie beim Fokussieren keinen übermäßigen Druck aus. Ziehen Sie die Arretierungsschrauben nicht zu fest an. Berühren Sie die optischen Flächen nicht mit den Fingern. Verwenden Sie zur äußerlichen Reinigung des Teleskops ausschließlich die speziellen Reinigungstücher und das spezielle Optik-Reinigungszubehör von Levenhuk. Schleifkörper wie Sandkörner dürfen nicht abgewischt werden. Sie können sie weglassen oder einen weichen Pinsel verwenden. Das Instrument ist nicht für Dauerbetrieb ausgelegt. Lassen Sie das Instrument nicht in direktem Sonnenlicht zurück. Halten Sie das Instrument von Wasser und hoher Feuchtigkeit fern. Tauchen Sie es nicht in Wasser ein. Lassen Sie Sorgfalt bei der Beobachtung walten und setzen Sie nach Abschluss der Beobachtung die Staubabdeckung wieder auf, um das Gerät vor Staub und Verschmutzungen zu schützen. Bewahren Sie bei längeren Phasen der Nichtbenutzung die Objektivlinsen und Okulare getrennt vom Mikroskop auf. Lagern Sie das Instrument an einem trockenen, kühlen Ort, der frei von gefährlichen Säuren und anderen Chemikalien ist, und in ausreichendem Abstand zu Heizgeräten, offenem Feuer und anderen Hochtemperaturquellen. Das Instrument ist nicht für Dauerbetrieb ausgelegt. Schließen Sie immer erst die Anwendung, bevor Sie das Mikroskop vom PC trennen, um Datenverluste und Beschädigungen am Gerät zu vermeiden. Warten Sie, bis die Beleuchtung vollständig abgeschaltet ist, und trennen Sie erst dann die Verbindung zum Mikroskop. Bei Verschlucken eines Kleinteils oder einer Batterie umgehend ärztliche Hilfe suchen!

Sicherheitshinweise zum Umgang mit Batterien

Immer die richtige, für den beabsichtigten Einsatz am besten geeignete Batteriegröße und -art erwerben. Stets alle Batterien gleichzeitig ersetzen. Alte und neue Batterien oder Batterien verschiedenen Typs nicht mischen. Batteriekontakte und Kontakte am Instrument vor Installation der Batterien reinigen. Beim Einlegen der Batterien auf korrekte Polung (+ und -) achten. Batterien entnehmen, wenn das Instrument für einen längeren Zeitraum nicht benutzt werden soll. Verbrauchte Batterien umgehend entnehmen. Primärbatterien nicht wieder aufladen! Beim Aufladen von Primärbatterien können diese auslaufen; außerdem besteht Feuer- und Explosionsgefahr. Batterien nicht kurzschließen, um Hitzeentwicklung, Auslaufen oder Explosionen zu vermeiden. Batterien dürfen nicht zum Wiederbeleben erwärmt werden. Instrumente nach Verwendung ausschalten. Batterien für Kinder unzugänglich aufbewahren, um Verschlucken, Erstickern und Vergiftungen zu vermeiden.

Technische Daten

Megapixel	3
Vergrößerung, x	10–200
Mögliche Bildauflösungen	14M, 8M, 5M, 3M, 2M, WVGA
Mögliche Videoauflösungen	1080P Full HD, 720P, VGA
Foto-/Videoformat	*.jpeg / HDMI: *.264; USB: *.mjpeg
Scharfstellung	Manuell, Fokussierbereich 10–500 mm
Beleuchtung	8-LED-System mit variabler Helligkeit
Stromquelle	USB-2.0-Kabel
Software-Sprachen	Englisch, Deutsch, Spanisch, Russisch, Italienisch, Französisch, Portugiesisch, Niederländisch, Polnisch, Japanisch, Koreanisch, Chinesisch
Möglichkeit zum Anschluss von Zubehör	unterstützt MicroSD-Karten mit bis zu 32 GB Kapazität (nicht im Lieferumfang)
Betriebstemperaturbereich, °C	-5...+50

Levenhuk behält sich das Recht vor, Produkte ohne vorherige Ankündigung zu modifizieren oder einzustellen.

Systemanforderungen

Monitor: jeder Monitor mit HDMI-Eingang; Betriebssystem: Windows XP/7/8/10, Mac 10.7 oder neuer; CPU: Mindestens P4 1,8 Ghz; RAM: 512 MB; GPU: 64 MB; Schnittstelle: USB 2.0; CD-ROM

Lebenslange internationale Garantie

Levenhuk garantiert für alle Teleskope, Mikroskope, Ferngläser und anderen optischen Erzeugnisse mit Ausnahme von Zubehör lebenslänglich die Freiheit von Material- und Herstellungsfehlern. Die lebenslange Garantie ist eine Garantie, die für die gesamte Lebensdauer des Produkts am Markt gilt. Für Levenhuk-Zubehör gewährleistet Levenhuk die Freiheit von Material- und Herstellungsfehlern innerhalb von zwei Jahren ab Kaufdatum. Die Garantie berechtigt in Ländern, in denen Levenhuk mit einer Niederlassung vertreten ist, zu Reparatur oder Austausch von Levenhuk-Produkten, sofern alle Garantiebedingungen erfüllt sind. Weitere Einzelheiten entnehmen Sie bitte unserer Website: <http://de.levenhuk.com/garantie>. Bei Problemen mit der Garantie, oder wenn Sie Unterstützung bei der Verwendung Ihres Produkts benötigen, wenden Sie sich an die lokale Levenhuk-Niederlassung.

Levenhuk DTX TV

Microscopio digital

ES

Partes del microscopio

- | | |
|--------------------------------|------------------------|
| 1 Puerto USB y de alimentación | 7 Menú |
| 2 Puerto HDMI | 8 Captura/OK |
| 3 Ranura para MicroSD | 9 Abajo |
| 4 Regulador LED | 10 LED |
| 5 Botón de encendido y apagado | 11 Rueda de enfoque |
| 6 Modo (Reproducción/Foto) | 12 Regla de ampliación |
| | 13-17 Tornillos |

El kit incluye: microscopio digital, base para el microscopio, adaptador de corriente, cable USB, cable HDMI, escala de calibrado, CD de software.

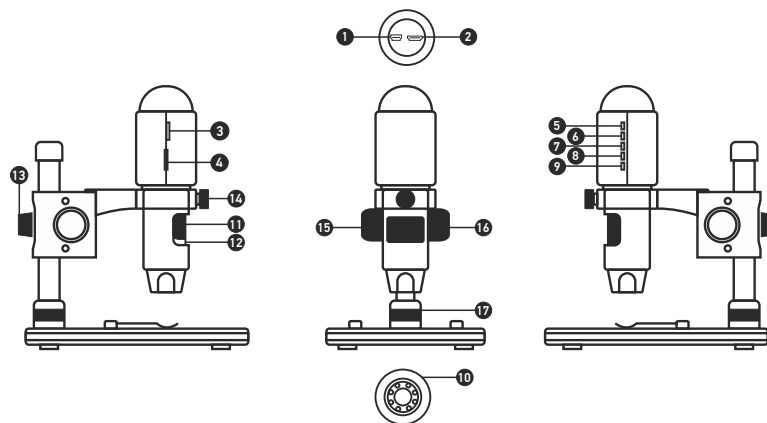
Montaje del microscopio

Saque el microscopio y todos sus accesorios del paquete. Sitúe la platina sobre una superficie estable. Instale el anillo de bloqueo de la montura (17) en el tubo metálico de la montura. Inserte el tubo metálico en la apertura de la platina y fíjelo en su lugar con el anillo (17). Inserte el microscopio en la fijación del brazo de la montura y apriete el tornillo de bloqueo (14). Apriete el mando de bloqueo (13) para que el brazo de la montura quede fijo. Coloque un espécimen en la platina y utilice el mando de enfoque grueso (16) para enfocar la vista. Utilice el mando de enfoque fino (11) para lograr una precisión y nitidez máximas. Cuando enfoque la vista, apriete el mando de bloqueo del enfoque (15) para bloquear el resultado.

Instalación del software

Introduzca el CD de instalación en el lector de CD. Aparecerá la ventana del Menú Principal. Haga clic en **Instalar PortableCaptureHD** para instalar la aplicación y siga las instrucciones de la pantalla. Conecte el microscopio al PC con un cable USB y ejecute la aplicación PortableCaptureHD. Aparecerá una ventana emergente advirtiéndole si el microscopio no está conectado al PC.

Nunca mire al Sol ni a otra fuente de luz intensa ni a un láser bajo ninguna circunstancia, ya que podría causarle DAÑOS PERMANENTES EN LA RETINA y podría provocar CEGUERA.



Capturar una imagen



Iniciar y detener la grabación de video



Captura de secuencia (puede ajustar la hora a la que se iniciará la captura de imágenes o videos, el intervalo entre ellos, la duración del video y el número de imágenes o videos a capturar)



Modo de pantalla completa. Para salir del modo de pantalla completa pulse Esc en su teclado o haga doble clic en cualquier punto de la pantalla

Cómo usar el microscopio

Conectar a un monitor o televisor con entrada HDMI

- 1) Conecte el microscopio con un monitor o televisor con entrada HDMI con el cable HDMI. Encienda el monitor o televisor y seleccione HDMI.
- 2) Conecte el microscopio con el adaptador de corriente incluido. Encienda el microscopio presionando el botón de encendido y apagado (5) si el dispositivo no está encendido y ya puede iniciar la visualización en la pantalla.

Captura de fotos

- 1) Inserte una tarjeta MicroSD en la ranura para MicroSD (3). Tamaño máximo de la tarjeta: 32Gb.
- 2) Gire la rueda de enfoque (11) para enfocar la imagen del objeto hasta que esté nítida.
- 3) Pulse el botón Captura/OK (8) y la foto capturada se guardará en la tarjeta MicroSD.

Reproducción

- 1) Con una tarjeta MicroSD en la ranura.
- 2) Pulse el botón de Modo (6) para pasar al modo de reproducción.
- 3) Pulse el botón Abajo (9) para ver la foto anterior. Pulse el botón Modo (6) de nuevo para volver a la vista previa.

Almacenamiento masivo en PC

- 1) Con una tarjeta MicroSD en la ranura.
- 2) Conecte el microscopio con el PC mediante un cable USB para descargar las imágenes de la tarjeta al ordenador.

Vista previa en PC

- 1) Solo funciona cuando está instalado el software soportado.
- 2) Extraiga la tarjeta MicroSD de la ranura.
- 3) Conecte el microscopio con el PC mediante el cable USB.

Menú principal I

Pulsa el botón del menú (7) para abrir el menú principal. Desde este menú puedes elegir la resolución de la imagen, ajustar la exposición, la calidad y la nitidez de la imagen así como los parámetros para la captura de secuencias. Este menú también contiene las funciones de Time-lapse y de impresión de la fecha.

Resolución

Seleccione **Resolución** en el menú principal I y escoja la resolución de imagen requerida pulsando el botón Abajo (9) y confirmando con el botón Captura / OK (8).

Nota: este modelo soporta las resoluciones siguientes: WVGA / 2M / 3M / 5M / 8M / 14M.

Captura de Time-lapse

1) Desde el menú principal I, elija **Captura de Time-lapse** y a continuación introduzca la configuración de tiempo:

Número de frames: introduzca la cantidad de frames que quiere tomar con el botón Abajo (9) y cambie el bloque pulsando el botón Modo (6). El número máximo es 999, lo que significa que durante el tiempo que se configure se tomarán 999 imágenes automáticamente una vez activada la función de captura.

Tiempo para el Time-Lapse: introduzca el intervalo de tiempo entre capturas de frames pulsando el botón Abajo (9) y cambie el bloque pulsando el botón Modo (6). El número máximo es 999, lo que significa que el intervalo de tiempo para cada captura es de 999 segundos.

- 2) Pulse el botón Captura/OK (8) para confirmar la selección y pulse el botón de Menú (7) para volver al modo de vista previa. Pulse el botón Captura/OK (8) para iniciar la captura automática. Mientras esté en modo de captura automática la cantidad de imágenes irá descontándose en la esquina superior derecha.
- 3) Cuando se capturen todas las imágenes el microscopio pasará al modo de vista previa normal.

Durante las capturas de Time-lapse el tiempo para el apagado automático debe ser más largo que el tiempo programado. Se recomienda un ajuste de 30 minutos.

Calidad

Seleccione **Calidad** en el menú principal I y elija uno de los ajustes existentes. Esto cambiará la ratio de compresión de las imágenes capturadas.

Nitidez

Seleccione **Nitidez** en el menú principal I y elija uno de los ajustes existentes.

Exposición (Brillo)

Seleccione **Exposición** en el menú principal I y elija un valor.

Impresión de la fecha

Seleccione **Impresión de la fecha** en el menú principal I y seleccione una opción.

Menú principal II

Pulse el botón de Menú (7) para entrar al menú principal I y púlselo de nuevo para pasar al menú principal II. Esta sección le permite elegir el idioma de la interfaz, activar el modo de ahorro de energía, cambiar la frecuencia de la pantalla, esconder o mostrar la fecha y la hora, configurar la conexión con el televisor, formatear la tarjeta SD, restablecer los ajustes y comprobar la versión del hardware.

Fecha y hora

Seleccione **Fecha/Hora** en el menú principal II con el botón Abajo (9) y ajuste la fecha y hora actuales. Pulse el botón **Captura/OK** (8) para confirmar. Puede elegir entre los siguientes formatos para la fecha: AA/MM/DD, DD/MM/AA o MM/DD/AA. Pulse el botón del Menú (7) para volver al modo anterior.

Ahorro de energía

Seleccione **Apagado Automático** en el menú principal II y elija el tiempo en espera hasta el apagado automático del microscopio. Pulse el botón **Captura/OK** (8) para confirmar la selección.

Idioma

Seleccione **Idioma** en el menú principal II y elija uno de los ajustes existentes. Pulse el botón **Captura/OK** (8) para confirmar la selección.

Conexión con el televisor

Seleccione el **Modo televisor** en el menú principal II y elija entre NTSC y PAL el modo compatible con su televisor. Pulse el botón de **Captura/OK** (8) para confirmar.

Frecuencia de la pantalla

Seleccione **Frecuencia** en el menú principal II y elija uno de los ajustes existentes. Pulse el botón **Captura/OK** (8) para confirmar.

Formatear la tarjeta MicroSD

Seleccione **Formatear SD** en el menú principal II para formatear la tarjeta instalada. **Todos los archivos de la tarjeta se borrarán cuando la formatee.** Normalmente no es necesario formatear la tarjeta a no ser que no pueda guardar en ella las imágenes capturadas.

Restablecer los ajustes

Seleccione **Ajustes por defecto** en el menú principal II para volver a los ajustes de fábrica.

Versión del hardware

Seleccione **Versión** en el menú principal II para comprobar la versión actual del hardware.

Archivo

Directorio de fotos: indique un directorio para las imágenes capturadas.

Directorio de vídeos: indique un directorio para los vídeos grabados.

Opciones

Resolución: ajuste la resolución de la imagen.

Fecha/Hora: oculte o muestre la fecha y hora de la captura en la previsualización.

Idioma: cambie el idioma de la interfaz de usuario.

Cuadrícula (Cruzar): ocultar o mostrar una cuadrícula en las imágenes.

Modo de pantalla completa: activar el modo de pantalla completa.



Guardar



Copiar al portapapeles



Copiar archivo



Imagen anterior



Imagen siguiente



Deshacer



Rehacer



Dibujar



Nota



Medición



Calibrado

Capturar

Foto: capturar una imagen.

Vídeo: grabar un vídeo.

Capturar una imagen

Haga clic en el icono correspondiente en la barra de herramientas o seleccione **Foto** en el menú de **Capturar**.

Grabar un vídeo

Haga clic en el icono correspondiente en la barra de herramientas o seleccione **Vídeo** en el menú de **Capturar**.

Captura de secuencia

Haga clic en el icono correspondiente en la barra de herramientas. Aparecerá una ventana de diálogo en la que podrá ajustar varios parámetros de la captura de secuencia. Haga clic en el botón de radio **Foto** para indicar la hora a la que se empezarán a capturar imágenes, el intervalo entre ellas y el número total de imágenes.

Haga clic en el botón de radio **Vídeo** para indicar la hora a la que se empezarán a grabar vídeos, su duración, el intervalo entre ellos y el número total de clips.

Calibrado

Antes de calibrar el microscopio active la cuadrícula. Para hacerlo, seleccione **activar en Opciones>Cuadrícula**. Por defecto la cuadrícula está visible. Sitúe la escala de calibrado en la platina y enfoque la vista. Asegúrese de que el eje vertical de la cuadrícula esté paralelo a las divisiones de la escala y capture una imagen. Haga doble clic en la miniatura de la imagen para abrirla en una ventana separada.

Haga clic en el icono correspondiente en la barra de herramientas para empezar el calibrado. Con el ratón, elija dos puntos de la imagen (debe saber la distancia real entre esos puntos). Una vez elegido el segundo punto se abrirá una ventana de diálogo en la que deberá introducir la distancia conocida en el campo **Tamaño actual**. La aplicación calculará automáticamente la ampliación de la imagen. Haga clic en **OK** para cerrar la ventana de diálogo. La ampliación calculada se mostrará en el campo **Ampliación**.

Nota: los puntos elegidos deben formar una línea horizontal.

Puede comprobar los resultados del calibrado midiendo la misma distancia con la herramienta de **Línea de cualquier ángulo**. Haga clic en el icono de mediciones, elija la herramienta de **Línea de cualquier ángulo** y dibuje una línea similar en la imagen. Si la distancia medida es igual a la distancia real, el calibrado se ha logrado.

Recalibrado

El proceso de calibrado debe repetirse si durante las observaciones se cambia la ampliación o el enfoque.

Haga clic en el icono correspondiente en la barra de herramientas y seleccione **Restaurar la ampliación de la foto en Restaurar la ampliación**. Repita el proceso de calibrado tal y como le hemos indicado anteriormente. Cambie la ampliación y capture unas cuantas imágenes. Haga doble clic en una de las miniaturas para abrir la imagen en una ventana de previsualización. Haga clic en el icono de calibrado en la barra de herramientas y seleccione **Ajustar la ampliación de la foto en Ajustar la ampliación**. Introduzca la ampliación actual en la ventana de diálogo que aparece y haga clic en **OK**.

Si desea utilizar la misma ampliación cuando capture imágenes en el futuro, haga clic en el icono de calibrado en la barra de herramientas y seleccione **Ajustar la ampliación de la captura en Ajustar la ampliación**.

Mediciones

Se recomienda calibrar el sistema antes de proceder con las mediciones.

Línea de cualquier ángulo. Mantenga presionado el botón izquierdo del ratón para comenzar a dibujar una línea. Suelte el botón izquierdo para completarla.

Línea continua. Use esta herramienta para dibujar una curva en la imagen y medir su longitud.

Radio del círculo. Dibuje una línea recta en la imagen. La aplicación calculará automáticamente el radio, la circunferencia y el área del círculo correspondiente.

Diámetro del círculo. Dibuje una línea recta en la imagen. La aplicación calculará automáticamente el diámetro, la circunferencia y el área del círculo correspondiente.

Ángulo de tres puntos. Sitúe tres puntos en la imagen con el ratón. La aplicación calculará automáticamente el valor del ángulo.

Dibujo y texto

PortableCaptureHD le permite añadir dibujos y cuadros de texto a sus imágenes. Abra una imagen en la ventana de previsualización y haga clic en el icono del lápiz en la barra de herramientas. Seleccione una de las herramientas del menú desplegable y dibuje algo en la imagen. Puede editar la fuente y el color de los cuadros de texto haciendo clic en el icono **TT** de la barra de herramientas.

Trabajar con la aplicación para usuarios de Mac OS

Navegue hasta la carpeta **mac** en el CD de instalación y copie el archivo **PortableCaptureHD** al escritorio. Use un cable USB para conectar el microscopio al ordenador. Inicie la aplicación **PortableCaptureHD** haciendo doble clic en su icono.

En la ventana principal de la aplicación se puede ver una imagen ampliada del espécimen observado. En el menú **Opciones**, seleccione **Tamaño de la vista** para seleccionar la resolución de la imagen. Recuerde que la ventana de la vista preliminar no se puede cambiar de tamaño (la resolución estándar es de 640x480). La resolución de la imagen se muestra en la esquina inferior izquierda de la ventana de vista previa.

En el menú **Opciones**, seleccione **Fecha/Hora** para mostrar o esconder la fecha y la hora de la captura durante la vista previa.

Haga clic en el icono correspondiente en la barra de herramientas o seleccione **Foto** en el menú **Capturar** para capturar una imagen. En el lado derecho de la ventana principal aparecerá una imagen en miniatura. Haga clic en el icono correspondiente en la barra de herramientas o seleccione **Vídeo** en el menú **Capturar** para empezar a grabar un vídeo. En el lado derecho de la ventana principal aparecerá un vídeo en miniatura.

Nota: durante la grabación, el icono de la cámara de vídeo de la barra de herramientas se mostrará en rojo. Haga clic de nuevo en el icono para detener la grabación.

Las miniaturas de imágenes y vídeo se muestran en el lado derecho de la ventana principal de la aplicación. Haga doble clic en una imagen en miniatura para abrirla en una ventana de vista previa separada.

Editar imágenes con la aplicación PortableCaptureHD es similar a trabajar con otras aplicaciones en Mac OS.

Para salir de la aplicación, seleccione **Quit PortableCaptureHD** en el menú principal.

Cuidado y mantenimiento

Nunca, bajo ninguna circunstancia, mire directamente al sol, a otra fuente de luz intensa o a un láser a través de este instrumento, ya que esto podría causar DAÑO PERMANENTE EN LA RETINA y CEGUERA. Los LED blancos son muy brillantes; no los mire directamente ya que podría causarle daños permanentes a la vista. Tome las precauciones necesarias si utiliza este instrumento acompañado de niños o de otras personas que no hayan leído o que no comprendan totalmente estas instrucciones. Tras desembalar el microscopio y antes de utilizarlo por primera vez, compruebe el estado y la durabilidad de cada componente y cada conexión. No intente desmontar el instrumento usted mismo bajo ningún concepto, ni siquiera para limpiar el espejo. Si necesita repararlo o limpiarlo, contacte con el servicio técnico especializado que corresponda a su zona. Proteja el instrumento de impactos súbitos y de fuerza mecánica excesiva. No aplique una presión excesiva al ajustar el foco. No apriete demasiado los tornillos de bloqueo. No toque las superficies ópticas con los dedos. Para limpiar el exterior del instrumento, utilice únicamente los paños y herramientas de limpieza especiales de Levenhuk. No limpie las partículas abrasivas, como por ejemplo arena, con un paño. Únicamente soplelas o bien pase un cepillo blando. No utilice este dispositivo durante períodos largos de tiempo ni lo deje sin atender bajo la luz directa del sol. Protéjalo del agua y la alta humedad. Tenga cuidado durante las observaciones y cuando termine recuerde volver a colocar la cubierta para proteger el dispositivo del polvo y las manchas. Si no va a utilizar el microscopio durante períodos largos de tiempo, guarde las lentes del objetivo y los oculares por separado del microscopio. Guarde el instrumento en un lugar seco y fresco, alejado de ácidos peligrosos y otros productos químicos, radiadores, de fuego y de otras fuentes de altas temperaturas. Para evitar pérdidas de datos o daños al equipo cierre siempre primero la aplicación y luego desconecte el microscopio del PC. Espere hasta que se apague por completo la iluminación y desconecte el microscopio. **En el caso de que alguien se trague una pieza pequeña o una pila, busque ayuda médica inmediatamente.**

Instrucciones de seguridad para las pilas

Compre siempre las pilas del tamaño y grado indicado para el uso previsto. Reemplace siempre todas las pilas al mismo tiempo. No mezcle pilas viejas y nuevas, ni pilas de diferentes tipos. Limpie los contactos de las pilas y del instrumento antes de instalarlas. Asegúrese de instalar las pilas correctamente según su polaridad (+ y -). Quite las pilas si no va a utilizar el instrumento durante un periodo largo de tiempo. Retire lo antes posible las pilas agotadas. No intente nunca recargar pilas primarias (pilas de un solo uso) ya que podría provocar fugas, fuego o una explosión. No cortocircuite nunca las pilas ya que podría aumentar su temperatura y podría provocar fugas o una explosión. Nunca caliente las pilas para intentar reavivarlas. Recuerde apagar el instrumento después de usarlo. **Mantenga las pilas fuera del alcance de los niños para eliminar el riesgo de ingestión, asfixia o envenenamiento.** Deseche las pilas usadas tal como lo indiquen las leyes de su país.

Especificaciones

Megapíxeles	3
Ampliación	10x–200x
Resoluciones de imagen disponibles	14M, 8M, 5M, 3M, 2M, WVGA
Resoluciones de vídeo disponibles	1080P Full HD, 720P, VGA
Formato de foto/vídeo	*.jpeg / HDMI: *.h.264; USB: *.mjpeg
Enfoque	manual, rango de enfoque 0–500 mm
Iluminación	sistema de 8-LED con brillo variable
Fuente de alimentación	cable USB 2.0
Idioma del software	inglés, alemán, español, ruso, italiano, francés, portugués, holandés, polaco, japonés, coreano y chino
Posibilidad de conectar equipamiento adicional	soporte para tarjetas microSD de hasta 32Gb de capacidad (no se incluyen en el kit)
Dimensiones de la montura	-5...+50

Levenhuk se reserva el derecho a modificar o retirar cualquier producto sin previo aviso.

Requisitos del sistema

Monitor: cualquier monitor con entrada HDMI; sistema operativo: Windows XP/7/8/10, Mac 10.7 o superior; CPU: al menos P4 1,8 Ghz; RAM: 512 MB; GPU: 64 MB; Interfaz: USB 2.0; CD-ROM

Garantía internacional de por vida Levenhuk

Todos los telescopios, microscopios, prismáticos y otros productos ópticos de Levenhuk, excepto los accesorios, cuentan con una **garantía de por vida** contra defectos de material y de mano de obra. La garantía de por vida es una garantía a lo largo de la vida del producto en el mercado. Todos los accesorios Levenhuk están garantizados contra defectos de material y de mano de obra durante **dos años** a partir de la fecha de compra en el minorista. La garantía incluye la reparación o sustitución gratuita del producto Levenhuk en cualquier país en el que haya una oficina Levenhuk si se reúnen todas las condiciones de la garantía. Para más detalles visite nuestra página web: <http://es.levenhuk.com/garantia>. En caso de problemas con la garantía o si necesita ayuda en el uso de su producto, contacte con su oficina de Levenhuk más cercana.

Levenhuk DTX TV

Mikroskop cyfrowy

PL

Elementy mikroskopu

- | | | | |
|---|----------------------------|-------|-----------------------------|
| 1 | Gniazdo DC i gniazdo USB | 7 | Menu |
| 2 | Gniazdo HDMI | 8 | Przechwytywanie/OK |
| 3 | Gniazdo na kartę microSD | 9 | W dół |
| 4 | Regulator światła LED | 10 | LED |
| 5 | Wł./wył. zasilania | 11 | Pokrętło regulacji ostrości |
| 6 | Tryb (odtwarzanie/zdjęcie) | 12 | Linijka powiększająca |
| | | 13-17 | Śruby |

W skład zestawu wchodzi: mikroskop cyfrowy, statyw mikroskopu, zasilacz sieciowy, kabel USB, kabel HDMI, skala kalibracyjna, płyta CD z oprogramowaniem.

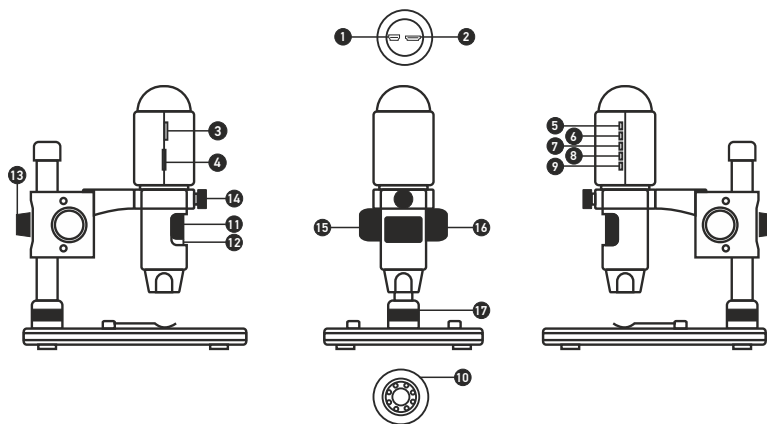
Montaż mikroskopu

Wymij mikroskop i wszystkie akcesoria z opakowania. Umieść stolik na stabilnym podłożu. Przymocuj pierścień blokujący montaż (17) do metalowej rurki montażu. Włóż metalową rurkę do otworu w stoliku i zamocuj ją za pomocą pierścienia (17). Włóż mikroskop do zacisku na ramieniu montażu i dokręć śrubę blokującą (14). Dokręć pokrętło blokujące (13), aby unieruchomić ramię montażu. Umieść próbkę na stoliku i ustaw ostrość obrazu za pomocą pokrętła regulacji zgrubnej (16). Użyj pokrętła regulacji precyzyjnej (11), aby uzyskać jak najdokładniejszy i najostrejszy obraz. Po ustawieniu ostrości obrazu dokręć śrubę blokującą (15), aby zablokować odpowiednią ostrość.

Praca z aplikacją PortableCaptureHD

Umieść płytę instalacyjną w napędzie CD. Wyświetlone zostanie okno menu głównego. Kliknij **Install PortableCaptureHD** (Zainstaluj PortableCaptureHD), aby zainstalować aplikację, i postępuj według instrukcji wyświetlanych na ekranie. Podłącz mikroskop do komputera za pomocą kabla USB i uruchom aplikację PortableCaptureHD. Jeżeli mikroskop nie będzie podłączony do komputera, wyświetlony zostanie komunikat ostrzegawczy.

Pod żadnym pozorem nie wolno kierować urządzenia bezpośrednio na słońce, światło laserowe lub inne źródło jasnego światła bez stosowania specjalnego filtra, ponieważ może to spowodować **TRWAŁE USZKODZENIE SIATKÓWKI** lub doprowadzić do **ŚLEPOTY**.



Przechwytywanie obrazu



Rozpoczynanie i zatrzymywanie nagrywania filmu



Przechwytywanie sekwencji (możliwość wprowadzenia czasu rozpoczęcia przechwytywania obrazów lub wideo, czasu trwania nagrania oraz liczby obrazów lub filmów do przechwylenia)



Tryb pełnoekranowy. Aby opuścić tryb pełnoekranowy, naciśnij przycisk Esc na klawiaturze lub dwukrotnie kliknij dowolne miejsce na ekranie

Korzystanie z mikroskopu

Podłączanie do telewizora/monitora z wejściem HDMI

- 1) Podłącz mikroskop do telewizora/monitora z wejściem HDMI za pomocą kabla HDMI. Włącz zasilanie telewizora/monitora i wybierz ustawienie HDMI.
- 2) Podłącz mikroskop do dołączonego zasilacza. Włącz zasilanie mikroskopu, naciskając przycisk wł./wył. zasilania (5), jeśli urządzenie nie jest jeszcze włączone, a następnie możesz rozpocząć obserwację obrazu na ekranie.

Przechwytywanie zdjęcia

- 1) Włóż kartę microSD do gniazda na kartę microSD (3). Maks. pojemność karty: 32 GB.
- 2) Za pomocą pokrętki regulacji ostrości (11) ustaw najlepszą ostrość obrazu.
- 3) Naciśnij przycisk przechwytywania/OK (8). Zdjęcie zostanie wykonane i zapisane na karcie microSD.

Odtwarzanie

- 1) Z kartą microSD w gnieździe.
- 2) Naciśnij przycisk trybu (6), aby przejść do trybu odtwarzania.
- 3) Naciśnij strzałkę w dół (9), aby przejść do poprzedniego zdjęcia. Naciśnij przycisk trybu (6) ponownie, aby powrócić do podglądu.

Pamięć masowa na komputerze

- 1) Z kartą microSD w gnieździe.
- 2) Podłącz mikroskop do komputera za pomocą kabla USB, aby pobrać zdjęcia z karty na komputer.

Podgląd na komputerze

- 1) Działa tylko po zainstalowaniu odpowiedniego oprogramowania.
- 2) Wyjmij kartę microSD z gniazda.
- 3) Podłącz mikroskop do komputera za pomocą kabla USB.

Menu główne I

Naciśnij przycisk menu (7), aby otworzyć menu główne. Menu to umożliwia ustawianie rozdzielczości obrazu, regulację ekspozycji, jakości i ostrości oraz wprowadzanie parametrów przechwytywania sekwencji. Menu zawiera również funkcje filmu poklatkowego i datownika.

Rozdzielczość

Z menu głównego I wybierz **Resolution** (rozdzielczość) i ustaw wymaganą rozdzielczość obrazu, naciskając strzałkę w dół (9), a następnie naciśnij przycisk przechwytywania/OK (8), aby potwierdzić.

Uwaga: w modelu można wprowadzić rozdzielczość o następujących wartościach: WVGA/2M/3M/5M/8M/14M.

Film poklatkowy

Z menu głównego I wybierz **Time-lapse Capture** (film poklatkowy) i przejdź do ustawień czasu:

Lapse Num (liczba klatek): za pomocą strzałki w dół (9) wprowadź liczbę klatek, którą chcesz wykonać i zmień odcinek, naciskając przycisk trybu (6). Maksymalna liczba to 999, co oznacza, że w określonym czasie automatycznie zostanie zrobionych 999 zdjęć, a następnie zostanie aktywowana funkcja filmu poklatkowego.

Lapse Time (czas filmu poklatkowego): za pomocą strzałki w dół (9) wprowadź czas pomiędzy poszczególnymi klatkami i zmień odcinek, naciskając przycisk trybu (6). Maksymalna liczba to 999, co oznacza, że czas pomiędzy poszczególnymi klatkami wynosi 999 sekund.

Naciśnij przycisk przechwytywania/OK (8), aby potwierdzić wybór i przycisk menu (7), aby powrócić do podglądu. Następnie naciśnij przycisk przechwytywania/OK (8), aby rozpocząć automatyczne robienie zdjęć. Podczas automatycznego robienia zdjęć liczba wykonanych zdjęć będzie wyświetlana w prawym górnym rogu.

Po wykonaniu wszystkich zdjęć mikroskop powróci do normalnego trybu podglądu.

W przypadku filmu poklatkowego czas automatycznego wyłączenia zasilania będzie dłuższy od ustawionego czasu filmu poklatkowego. Zalecane ustawienie to 30 minut.

Jakość

Z menu głównego I wybierz **Quality** (jakość), a następnie jedno z dostępnych ustawień. Nastąpi zmiana stopnia kompresji przechwyconych obrazów.

Ostrość

Z menu głównego I wybierz **Sharpness** (ostrość), a następnie jedno z dostępnych ustawień.

Ekspozycja (jasność)

Z menu głównego I wybierz **Exposure** (ekspozycja), a następnie wybierz żadaną wartość.

Date Stamp (datownik)

Z menu głównego I wybierz **Date Stamp** (datownik), a następnie wybierz żadaną opcję.

Menu główne II

Naciśnij przycisk menu (7), aby przejść do menu głównego I, a następnie naciśnij go ponownie, aby przejść do menu głównego II. Część ta umożliwia wybór języka interfejsu, uruchomienie trybu oszczędności energii, zmianę częstotliwości wyświetlania, ukrywanie lub wyświetlanie daty i godziny, konfigurację połączenia z telewizorem, formatowanie karty SD, resetowanie ustawień oraz sprawdzenie wersji oprogramowania.

Data i godzina

Z menu głównego II wybierz **Date/Time** (data/godzina), naciskając strzałkę w dół (9) i wprowadź aktualną datę i godzinę. Naciśnij przycisk przechwytywania/OK (8), aby potwierdzić wprowadzanie. Możesz również wybrać jeden z poniższych formatów daty: YY/MM/DD (RR/MM/DD), DD/MM/YY (DD/MM/RR) lub MM/DD/YY (MM/DD/RR). Naciśnij przycisk menu (7), aby powrócić do trybu podglądu.

Oszczędność energii

Z menu głównego II wybierz **Auto Power Off** (automatyczne wyłączenie zasilania) i wprowadź czas bezczynności, jaki musi upłynąć, aby mikroskop automatycznie się wyłączył. Naciśnij przycisk przechwytywania/OK (8), aby potwierdzić wybór.

Język

Z menu głównego II wybierz **Language** (język), a następnie jedno z dostępnych ustawień. Naciśnij przycisk przechwytywania/OK (8), aby potwierdzić wybór.

Połączenie z telewizorem

Z menu głównego II wybierz **TV Mode** (tryb TV), a następnie wybierz odpowiedni tryb kompatybilny z telewizorem: NTSC lub PAL. Naciśnij przycisk przechwytywania/OK (8), aby potwierdzić wybór.

Częstotliwość wyświetlania

Z menu głównego II wybierz **Frequency** (częstotliwość), a następnie jedno z dostępnych ustawień. Naciśnij przycisk przechwytywania/OK (8), aby potwierdzić wybór.

Formatowanie karty microSD

Z menu głównego wybierz **Format SD** (formatuj SD), aby sformatować zainstalowaną kartę pamięci. **Po sformatowaniu karty wszystkie pliki na karcie zostaną usunięte.** Zwykle formatowanie karty nie jest konieczne, chyba że Twoja karta nie może zapisać przechwyconego obrazu.

Resetowanie ustawień

Z menu głównego II wybierz **Default Setting** (ustawienia domyślne), aby przywrócić ustawienia fabryczne.

Wersja urządzenia

Z menu głównego wybierz **Version** (wersja), aby sprawdzić wersję używanego urządzenia.

File (Plik)

Photos Directory (Katalog zdjęć): wybór katalogu, w którym zapisywane będą przechwycone obrazy.

Videos Directory (Katalog wideo): wybór katalogu, w którym zapisywane będą nagrania.



Zapisz



Kopiuj do schowka



Kopiuj plik



Poprzedni



Następny



Cofnij



Ponów



Rysowanie



Notatka



Pomiary



Kalibracja

Options (Opcje)

Resolution (Rozdzielczość): ustawianie rozdzielczości obrazu.

Date/Time (Data/Czas): ukrywanie lub wyświetlanie daty i godziny podczas przechwytywania.

Language (Język): zmiana języka interfejsu użytkownika.

XY Guide (Siatka): ukryj lub pokaż siatkę na obrazach.

Full screen mode (Tryb pełnoekranowy): przejście w tryb pełnoekranowy.

Capture (Przechwyć)

Photo (Zdjęcie): przechwycenie obrazu.

Video (Wideo): nagranie filmu.

Przechwytywanie obrazu

Kliknij odpowiednią ikonę na pasku zadań lub wybierz **Photo** (Zdjęcie) z menu **Capture** (Przechwyć).

Nagrywanie filmu

Kliknij odpowiednią ikonę na pasku zadań lub wybierz **Video** (Wideo) z menu **Capture** (Przechwyć).

Przechwytywanie sekwencji

Kliknij odpowiednią ikonę na pasku zadań. Wyświetlone zostanie okno dialogowe umożliwiające wprowadzenie liczby parametrów przechwytywania sekwencji. Kliknij przycisk opcji **Photo** (Zdjęcie), aby wprowadzić czas rozpoczęcia przechwytywania obrazów, przerwy między przechwyceniami oraz łączną liczbę obrazów. Kliknij przycisk opcji **Video** (Wideo), aby wprowadzić czas rozpoczęcia nagrywania, czas trwania nagrań, przerwy pomiędzy filmami oraz łączną liczbę filmów.

Kalibracja

Przed skalibrowaniem mikroskopu włącz podziatkę. Aby to zrobić, wybierz opcję **on** (wł.) w menu **Options > XY Guide** (Opcje > Siatka). Domyślnie podziatka jest widoczna. Umieść skalę kalibracyjną na stoliku i wyostrz obraz. Upewnij się, że pionowa oś podziatki jest równoległa względem linii na skali i przechwyć obraz. Dwukrotnie kliknij miniaturę obrazu, aby otworzyć ją w osobnym oknie. Kliknij odpowiednią ikonę na pasku zadań, aby rozpocząć kalibrację. Za pomocą myszy zaznacz dwa punkty na obrazie (konieczna jest znajomość rzeczywistej odległości pomiędzy punktami). Po zaznaczeniu drugiego punktu wyświetlone zostanie okno dialogowe, w którym należy wprowadzić znaną odległość w polu **Actual dimension** (Wymiar rzeczywisty). Aplikacja automatycznie wyznaczy stopień powiększenia obrazu. Kliknij **OK**, aby zamknąć okno dialogowe. Wyznaczone powiększenie zostanie wyświetlone w polu **Magnification** (Powiększenie).

Uwaga: zaznaczone punkty powinny tworzyć linię poziomą.

Wyniki kalibracji można sprawdzić, mierząc tę samą szerokość za pomocą narzędzia **Any Angle Line** (Linia o dowolnym kącie). Kliknij ikonę pomiarów, wybierz **Any Angle Line** (Linia o dowolnym kącie) i narysuj podobną linię na obrazie. Jeżeli zmierzona odległość jest taka sama jak odległość rzeczywista, oznacza to, że kalibracja powiodła się.

Ponowna kalibracja

Kalibrację należy powtórzyć, jeżeli powiększenie lub ostrość zostały zmienione podczas obserwacji.

Ponownie kliknij odpowiednią ikonę na pasku zadań i wybierz **Reset picture magnification** (Resetuj powiększenie obrazu) w poleceniu **Reset magnification** (Resetuj powiększenie). Powtórz proces kalibracji w sposób opisany powyżej. Zmień powiększenie i przechwyć kilka obrazów. Dwukrotnie kliknij jedną z miniatur, aby otworzyć obraz w oknie podglądu. Kliknij ikonę kalibracji na pasku narzędzi i wybierz **Set picture magnification** (Ustaw powiększenie obrazu) w poleceniu **Set magnification** (Ustaw powiększenie). W wyświetlonym oknie dialogowym wprowadź aktualną wartość powiększenia i kliknij **OK**. Jeżeli podczas przechwytywania obrazów w przyszłości powiększenie ma zostać zachowane, kliknij ikonę kalibracji na pasku narzędzi i wybierz **Set capture magnification** (Ustaw powiększenie przechwytywania) w poleceniu **Set magnification** (Ustaw powiększenie).

Pomiary

Przed wykonaniem pomiarów zaleca się skalibrowanie systemu.

Any Angle Line (Linia o dowolnym kącie). Naciśnij i przytrzymaj lewy przycisk myszy, aby rozpocząć rysowanie linii. Zwolnij lewy przycisk myszy, aby zakończyć rysowanie linii.

Continuous Line (Linia ciągła). Narzędzie służy do rysowania i pomiaru długości krzywych na obrazie.

Radius Circle (Promień okręgu). Po narysowaniu prostej linii na ekranie aplikacja automatycznie wyznacza promień okręgu oraz obwód i pole odpowiadającego koła.

Diameter Circle (Średnica okręgu). Po narysowaniu prostej linii na ekranie aplikacja automatycznie wyznacza średnicę okręgu oraz obwód i pole odpowiadającego koła.

Three Points Angle (Kąt na podstawie trzech punktów). Za pomocą myszy zaznacz na ekranie trzy punkty. Aplikacja automatycznie wyznaczy wielkość kąta.

Rysowanie i wprowadzanie notatek tekstowych

PortableCaptureHD umożliwia dodawanie do obrazów rysunków i pól tekstowych. Otwórz obraz w oknie podglądu i kliknij ikonę **otówka** na pasku zadań. Z rozwijanego menu wybierz jedno z narzędzi i wykonaj rysunek na obrazie. Kliknięcie ikony **TT** na pasku narzędzi umożliwia edytowanie typu i koloru czcionki tekstu wpisywanego w polach tekstowych.

Praca z aplikacją przez użytkowników systemu Mac OS

Odszukaj folder **mac** na płycie instalacyjnej i skopiuj plik **PortableCaptureHD** na pulpit. Podłącz mikroskop do komputera za pomocą kabla USB. Uruchom aplikację **PortableCaptureHD**, klikając dwukrotnie jej ikonę.

W menu **Options** (Opcje) wybierz **Preview Size** (Rozmiar podglądu), aby ustawić rozdzielczość obrazu. Pamiętaj, że nie można zmienić rozmiaru okna podglądu (standardowa rozdzielczość to 640x480). Rozdzielczość obrazu podawana jest w lewym dolnym rogu okna podglądu.

W menu **Options** (Opcje) wybierz **Date/Time** (Data/Godzina), aby wyświetlić lub ukryć datę i godzinę przechwytywania podczas podglądu.

Aby przechwycić obraz, kliknij odpowiednią ikonę na pasku zadań lub wybierz **Photo** (Zdjęcie) z menu **Capture** (Przechwytywanie). Po prawej stronie głównego okna wyświetlona zostanie miniatura obrazu. Aby rozpocząć nagrywanie filmu, kliknij odpowiednią ikonę na pasku zadań lub wybierz **Video** (Film) z menu **Capture** (Przechwytywanie).

Uwaga: podczas nagrywania kolor ikony kamery na pasku narzędzi zmieni się na czerwony. Kliknij ikonę ponownie, aby zatrzymać nagrywanie.

Miniatury obrazów i filmów wyświetlane są po prawej stronie głównego okna aplikacji. Dwukrotnie kliknij miniaturę obrazu, aby otworzyć ją w osobnym oknie podglądu.

Edycja obrazów w aplikacji **PortableCaptureHD** przebiega w sposób podobny do obsługi innych aplikacji w systemie **Mac OS**.

Aby opuścić aplikację, w menu głównym wybierz **Quit PortableCaptureHD** (Wyjdź).

Konserwacja i pielęgnacja

Pod żadnym pozorem nie wolno kierować urządzenia bezpośrednio na słońce, światło laserowe lub inne źródło jasnego światła bez stosowania specjalnego filtra, ponieważ może to spowodować TRWAŁE USZKODZENIE SIATKÓWKI lub doprowadzić do ŚLEPOTY. Białe diody LED świecą niezwykle jasnym światłem, z tego powodu nie należy patrzeć na nie bezpośrednio, ponieważ może to doprowadzić do trwałego uszkodzenia wzroku. Zachowaj szczególną ostrożność, gdy urządzenia używają dzieci lub osoby, które nie w pełni zapoznają się z instrukcjami. Nie podejmuj prób samodzielnego demontażu urządzenia, nawet w celu wyczyszczenia lustra. W celu wszelkich napraw i czyszczenia skontaktuj się z punktem serwisowym. Po rozpakowaniu mikroskopu i przed jego pierwszym użyciem należy sprawdzić stan i prawidłowość podłączenia każdego elementu. Nie dotykać powierzchni optycznych palcami. Soczewki czyścić za pomocą ściereczki czyszczącej lub ściereczki nasączonej alkoholem. Polecamy stosowanie specjalnych środków do czyszczenia układu optycznego firmy Levenhuk. Nie czyścić układu optycznego za pomocą środków żrących lub zawierających aceton. Częsteckie ściierające, takie jak ziarna piasku, powinny być zdmuchiwane z powierzchni soczewek lub usuwane za pomocą miękkiej szcztotki. Nie używać nadmiernej siły podczas ustawiania ostrości. Nie należy dokręcać zbyt mocno śrub blokujących. Chronić przyrząd przed upadkami z wysokości i działaniem nadmiernej siły mechanicznej. Przyrząd powinien być przechowywany w suchym, chłodnym miejscu, z dala od kurzu, niebezpiecznych kwasów oraz innych substancji chemicznych, grzejników, otwartego ognia i innych źródeł wysokiej temperatury. Nie wystawiać przyrządu na długotrwałe działanie promieni słonecznych. Trzymać z dala od wody. Nie przechowywać w warunkach wysokiej wilgotności, nie zanurzać. Podczas obserwacji należy zachować ostrożność. Po zakończeniu obserwacji założyć osłonę przeciwpylemową w celu zabezpieczenia mikroskopu przed kurzem i zanieczyszczeniami. W przypadku korzystania z mikroskopu przez dłuższy czas soczewki obiektywowe i okulary oraz mikroskop należy przechowywać osobno. Aby uniknąć utraty danych lub uszkodzenia urządzenia, należy najpierw zamknąć aplikację, a dopiero później odłączyć mikroskop od komputera. Zaczekać, aż podświetlenie całkowicie się wyłączy, i odłączyć mikroskop. **W przypadku potknięcia małej części lub baterii należy natychmiast zwrócić się o pomoc medyczną.**

Instrukcje dotyczące bezpiecznego obchodzenia się z bateriami

Należy używać baterii odpowiedniego typu i w odpowiednim rozmiarze. Należy wymieniać wszystkie baterie jednocześnie; nie należy łączyć starych i nowych baterii ani baterii różnych typów. Przed włożeniem baterii należy wyczyścić styki baterii i urządzenia. Podczas wkładania baterii należy zwracać uwagę na ich bieguny (znaki + i -). Jeśli sprzęt nie będzie używany przez dłuższy czas, należy wyjąć baterie. Zużyte baterie należy natychmiast wyjąć. Nie ładować baterii jednorazowych, ponieważ wiąże się to z ryzykiem wycieku, pożaru lub wybuchu. Nie doprowadzać do zwarcia baterii, ponieważ wiąże się to z ryzykiem powstania wysokich temperatur, wycieku lub wybuchu. Nie ogrzewać baterii w celu przedłużenia czasu ich działania. Należy pamiętać o wyłączeniu urządzenia po zakończeniu użytkowania. Baterie przechowywać w miejscu niedostępnym dla dzieci, aby uniknąć ryzyka potknięcia, uduszenia lub zatrucia.

Dane techniczne

Megapikseli	3
Powiększenie, x	10–200
Dostępne rozdzielczości obrazu	14M, 8M, 5M, 3M, 2M, WVGA
Dostępne rozdzielczości filmu	1080P Full HD, 720P, VGA
Zdjęcie/Film	*.jpeg / HDMI: *.h.264; USB: *.mjpeg
Regulacja ostrości	ręczna, 10–500 mm
Podświetlenie	system 8 diod LED z regulacją jasności
Źródło zasilania	kabel USB 2.0
Język oprogramowania	angielski, niemiecki, hiszpański, rosyjski, włoski, francuski, portugalski, niderlandzki, polski, japoński, koreański, chiński
Możliwość podłączenia dodatkowego sprzętu	wspiera karty microSD o pojemności do 32Gb (zestaw nie zawiera)
Działa w zakresie temperatur, °C	–5...+50

Levenhuk zastrzega sobie prawo do modyfikowania lub zakończenia produkcji dowolnego produktu bez wcześniejszego powiadomienia.

Wymagania systemowe

Monitor: jakikolwiek monitor z gniazdem HDMI; system operacyjny: Windows XP/7/8/10, Mac 10.7 albo wyższy; procesor: co najmniej P4 1,8 Ghz; pamięć RAM: 512 MB; interfejs: USB 2.0; CD-ROM.

Gwarancja międzynarodowa Levenhuk

Wszystkie teleskopy, mikroskopy, lornetki i inne przyrządy optyczne Levenhuk, za wyjątkiem akcesoriów, posiadają **dożywotnią gwarancję** obejmującą wady materiałowe i wykonawcze. Dożywotnia gwarancja to gwarancja na cały okres użytkowania produktu. Wszystkie akcesoria Levenhuk są wolne od wad materiałowych i wykonawczych i pozostaną takie przez **dwa lata** od daty zakupu detalicznego. Levenhuk naprawi lub wymieni produkt w dowolnym kraju, w którym Levenhuk posiada swój oddział, o ile spełnione będą warunki gwarancji. Więcej informacji na ten temat znajduje się na stronie: <http://pl.levenhuk.com/gwarancja>. W przypadku wątpliwości związanych z gwarancją lub korzystaniem z produktu, proszę skontaktować się z lokalnym przedstawicielem Levenhuk.

Levenhuk DTX TV

Цифровой микроскоп

RU

Устройство микроскопа

- | | | | |
|---|--------------------------------|-------|--------------------------|
| 1 | Разъем USB/набеля питания | 7 | Кнопка «Меню» |
| 2 | Разъем HDMI | 8 | Кнопка спуска затвора/OK |
| 3 | Разъем карты MicroSD | 9 | Кнопка «Вниз» |
| 4 | Регулятор яркости освещения | 10 | Светодиодная подсветка |
| 5 | Кнопка вкл./выкл. питания | 11 | Колесо фокусировки |
| 6 | Кнопка «Режим» (просмотр/фото) | 12 | Шкала увеличения |
| | | 13-17 | Фиксаторы |

Комплект поставки: цифровой микроскоп, штатив, сетевой адаптер, USB-кабель, HDMI-кабель, шкала калибровки, компакт-диск с программным обеспечением, инструкция по эксплуатации.

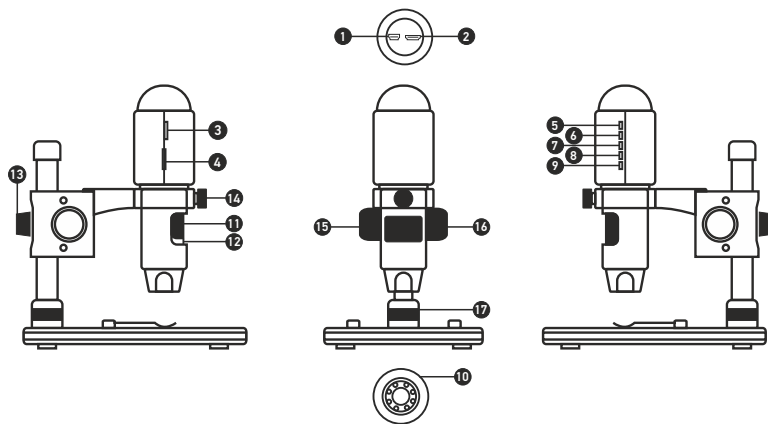
Сборка микроскопа

Выньте микроскоп и все сопутствующие детали из коробки. Поместите предметный столик на ровную поверхность. Наденьте гайку (17) на металлическую трубку штатива. Вставьте металлическую трубку в соответствующее отверстие предметного столика. Затяните гайку (17), чтобы закрепить штатив. Вставьте микроскоп в соответствующее крепление на штативе. Затяните стопорный винт (14), чтобы закрепить микроскоп в креплении. Затяните стопорный винт (13), чтобы закрепить движущуюся часть штатива на металлической трубке. Поместив препарат на предметный столик, используйте колесо грубой фокусировки (16) для настройки резкости изображения. Если после грубой фокусировки изображение осталось недостаточно четким, резкость изображения можно отрегулировать с помощью колеса точной фокусировки (11). Когда изображение сфокусировано, можно закрепить полученный результат, затянув фиксатор фокусировки (15).

Работа с PortableCaptureHD

Вставьте установочный диск Levenhuk DTX в дисковод. В появившемся диалоговом окне выберите пункт **Install PortableCaptureHD**. Откроется мастер установки, который поможет вам установить приложение. Вы также можете прочесть инструкцию по эксплуатации, выбрав в диалоговом окне соответствующий пункт. Начало работы Подключите микроскоп к компьютеру через USB-кабель и запустите приложение PortableCaptureHD. Если микроскоп не подключен к компьютеру, при запуске приложения появится соответствующее предупреждение.

Никогда не смотрите в прибор на Солнце, на источник яркого света и лазерного излучения — ЭТО ОПАСНО ДЛЯ ЗРЕНИЯ И МОЖЕТ ПРИВЕСТИ К СЛЕПОТЕ!



Сделать снимок



Начать или приостановить запись видеоролика



Автоматическая съемка: укажите время начала съемки, интервал и общее количество снимков или видеороликов



Полноэкранный режим. Для выхода из полноэкранный режима нажмите клавишу **Escape** или дважды щелкните левой кнопкой мыши в любом месте экрана

Функции микроскопа

Подключение к телевизору/монитору с разъемом HDMI

- 1) Подключите микроскоп к телевизору/монитору с HDMI-разъемом при помощи HDMI-кабеля. Включите питание телевизора/монитора и выберите HDMI-режим.
- 2) Соедините микроскоп с адаптером питания и подсоедините адаптер к сети переменного тока. Включите питание микроскопа нажатием кнопки **Вкл./выкл. питания** (5). Теперь вы можете начать просмотр на экране.

Съемка фотографий

- 1) Вставьте MicroSD-карту в соответствующий слот (3). Устройство поддерживает MicroSD-карты объемом до 32 Гб.
- 2) При помощи **Колеса фокусировки** (11) подстройте изображение так, чтобы оно было максимально четким.
- 3) Нажмите кнопку **Спуска затвора/OK** (8) для того, чтобы получить снимок. Снимок сохранится на установленную MicroSD-карту.

Просмотр фотографий

- 1) Убедитесь, что MicroSD-карта находится в микроскопе.
- 2) Для перехода в режим просмотра снимков нажмите кнопку **Режим** (6).
- 3) Для просмотра сделанных снимков нажимайте кнопку **Вниз** (9). Повторное нажатие кнопки **Режим** (6) вернет устройство в рабочее состояние.

Сохранение фотографий на компьютер

- 1) Убедитесь, что MicroSD-карта находится в микроскопе.
- 2) Соедините микроскоп с компьютером при помощи USB-кабеля. Теперь вы можете перенести изображения на компьютер.

Просмотр на компьютере

- 1) Функция доступна только при установленном программном обеспечении (входит в комплект).
- 2) Извлеките MicroSD-карту из слота.
- 3) Соедините микроскоп с компьютером при помощи USB-кабеля.

Главное меню I

Нажмите кнопку **Меню** (7), чтобы открыть главное меню цифрового микроскопа. В этом меню можно настроить разрешение, качество, яркость и резкость снимков, а также настроить автоматическую съемку и штамп даты/времени на снимках.

Разрешение

В главном меню I перейдите в раздел **Resolution**, а затем выберите необходимое разрешение при помощи кнопки **Вниз** (9). Нажмите кнопку **OK** (8), чтобы подтвердить выбор.

Примечание: доступны следующие разрешения: WVGA / 2M / 3M / 5M / 8M / 14M.

Автоматическая съемка

В главное меню перейдите в раздел **Time-lapse Capture** и введите настройки:

Lapse Num: при помощи кнопки **Вниз** (9) введите желаемое количество снимков и примените значение, нажав кнопку **Режим** (6). Максимально возможное количество кадров: 999. Это означает, что микроскоп снимет 999 кадров в автоматическом режиме в заданный промежуток времени.

Lapse Time: при помощи кнопки **Вниз** (9) введите желаемый временной интервал и примените значение, нажав кнопку **Режим** (6). Максимально возможный временной интервал: 999 секунд. Это означает, что микроскоп будет делать снимки в автоматическом режиме каждые 999 секунд.

Для применения установленных параметров нажмите кнопку **OK** (8), нажмите кнопку **Меню** (7) для возврата в режим просмотра. Нажмите кнопку **OK** (8) для запуска функции автоматической съемки. Во время съемки количество сделанных кадров будет отображаться в правом верхнем углу.

Когда все кадры будут сделаны, микроскоп вернется в стандартный режим просмотра.

Для съемки в режиме Lapse Time период времени до отключения питания должен превышать заданный временной интервал. Рекомендуется установить период 30 минут.

Качество

В главное меню перейдите в раздел **Quality** и выберите один из существующих вариантов. От этого параметра зависит степень сжатия изображений.

Резкость

В главное меню перейдите в раздел **Sharpness** и выберите один из существующих вариантов.

Экспозиция (яркость)

В главное меню перейдите в раздел **Exposure** и выберите один из существующих вариантов.

Отображение даты и времени

В главное меню перейдите в раздел **Date Stamp** и выберите один из существующих вариантов.

Второй раздел главного меню

Дважды нажмите кнопку **Меню** (7), чтобы открыть второй раздел главного меню цифрового микроскопа. Здесь можно настроить язык системы, режим энергосбережения, частоту экрана, телевизионный сигнал, дату и время, а также отформатировать карту MicroSD, сбросить настройки и посмотреть версию прошивки.

Дата и время

В главном меню при помощи кнопки **Вниз** (9) перейдите в раздел **Date/Time** и настройте дату и время. Подтвердите установку, нажав кнопку **OK** (8). Здесь так же можно выбрать один из следующих форматов отображения даты: ГГ/ММ/ДД, ДД/ММ/ГГ или ММ/ДД/ГГ. Нажмите кнопку **Меню** (7), чтобы вернуться в режим просмотра.

Режим энергосбережения

В главном меню перейдите в раздел **Auto Power Off** и установите максимальное время бездействия, через которое микроскоп автоматически отключится. Подтвердите установку, нажав кнопку **OK** (8).

Язык

В главном меню перейдите в раздел **Language** и выберите один из существующих вариантов. Подтвердите выбор, нажав кнопку **OK** (8).

Телевизионный сигнал

В главном меню перейдите в раздел **TV Mode** и выберите нужный вариант (NTSC или PAL), соответствующий модели вашего телевизора. Подтвердите выбор, нажав кнопку **OK** (8).

Частота экрана

В главном меню перейдите в раздел **Frequency** и выберите один из существующих вариантов. Подтвердите выбор, нажав кнопку **OK** (8).

Форматирование карты

В главном меню перейдите в раздел **Format SD**, чтобы отформатировать карту MicroSD. После форматирования карты все файлы будут удалены. Обычно форматирование карты не требуется, если на ней хватает места для сохранения сделанных снимков.

Сброс настроек

В главном меню перейдите в раздел **Default Setting**, чтобы вернуться к заводским настройкам приложения.

Версия прошивки

В главном меню перейдите в раздел **Version**, чтобы просмотреть текущую версию прошивки.

File (Файл)

Photos Directory (Папка для фото): выбрать папку для сохранения снимков;

Videos Directory (Папка для видео): выбрать папку для сохранения видеороликов;

Options (Опции)

Resolution (Разрешение): выбрать разрешение снимков.

Date/Time (Дата/Время): отображать дату и время во время предпросмотра.



Сохранить как



Копировать в буфер обмена



Копировать файл



Предыдущее изображение



Следующее изображение



Отменить последнее действие



Повторить последнее действие



Рисунки



Заметка



Измерение



Калибровка

Language (Язык): выбрать язык интерфейса.

XY Guide (Сетка): отображать сетку во время работы с приложением.

Full screen mode (Полноэкранный режим): перейти в полноэкранный режим.

Capture (Захват)

Photo (Фото): сделать снимок.

Video (Видео): записать видеоролик.

Как сделать снимок

Нажмите соответствующую кнопку на панели управления или выберите пункт **Photo** (Фото) в меню **Capture** (Захват).

Как записать видео

Нажмите соответствующую кнопку на панели управления или выберите пункт **Video** (Видео) в меню **Capture** (Захват).

Автоматическая съемка

Нажмите соответствующую кнопку на панели управления. В появившемся диалоговом окне можно настроить параметры автоматической фото- или видеосъемки. В разделе **Photo** (Фото) можно установить время начала автоматической съемки, указать интервал съемки и общее количество снимков. В разделе **Video** (Видео) можно установить время начала автоматической съемки, указать продолжительность видеороликов, интервал съемки и общее количество видеороликов.

Калибровка

Для включения визирной сетки выберите пункт **on** (включить) в разделе **XY Guide** (Сетка) меню **Options** (Опции).

Примечание: проведенная линия должна быть горизонтальной.

По умолчанию визирная сетка включена. Визирная сетка поможет вам при работе со шкалой калибровки. Наведите микроскоп на шкалу калибровки и отрегулируйте резкость изображения. Убедитесь, что вертикальная ось визирной сетки параллельна линиям на шкале, и сделайте снимок. Дважды щелкните левой кнопкой мыши полученное изображение, чтобы открыть окно предварительного просмотра. Нажмите соответствующую кнопку на панели инструментов, чтобы приступить к калибровке. При помощи мыши выберите две точки на изображении, расстояние между которыми вам известно. После выбора второй точки откроется диалоговое окно. Введите фактическое расстояние между двумя точками в разделе **Actual dimension** (Реальный размер). Программа автоматически вычислит масштаб увеличения. Нажмите **OK**, чтобы закрыть диалоговое окно. После этого в разделе **Magnification** (Масштаб) появится вычисленный масштаб.

Проверьте результат калибровки, измерив то же расстояние при помощи инструмента **Any Angle Line** (Прямая). Для этого нажмите кнопку измерений и выберите пункт **Any Angle Line**. Если измеренное расстояние совпадает с фактическим, калибровка выполнена успешно.

Повторная калибровка

Если в процессе работы вы изменили увеличение и заново настроили резкость изображения, вам придется повторить процесс калибровки. Для этого нажмите соответствующую кнопку на панели управления в окне предварительного просмотра и выберите пункт **Reset picture magnification** (Сбросить масштаб изображения) в разделе **Reset magnification** (Сбросить масштаб). После этого вы сможете повторить процесс калибровки (см. раздел «Калибровка»). Измените увеличение и сделайте несколько снимков. Откройте одно из полученных изображений в режиме предварительного просмотра, нажмите кнопку калибровки на панели инструментов и выберите пункт **Set picture magnification** (Установить масштаб изображения) в разделе **Set magnification** (Установить масштаб). В появившемся диалоговом окне введите масштаб увеличения и нажмите **OK**. Если вы хотите использовать аналогичное увеличение при создании снимков, нажмите кнопку калибровки на панели инструментов и выберите пункт **Set capture magnification** (Установить масштаб съемки) в разделе **Set magnification** (Установить масштаб). После этого все изображения будут создаваться с указанным увеличением.

Измерение

Перед измерениями рекомендуется произвести калибровку системы.

Any Angle Line (Прямая). Нажмите левую кнопку мыши в начальной точке и проведите линию. Отпустите левую кнопку мыши в конечной точке.

Continuous Line (Непрерывная линия). При помощи этого инструмента можно измерить длину нарисованной вами кривой линии.

Radius Circle (Радиус). Проведите прямую линию, соответствующую радиусу круга. Программа рассчитает радиус, а также длину и площадь окружности.

Diameter Circle (Диаметр). Проведите прямую линию, соответствующую диаметру круга. Программа рассчитает диаметр, а также длину и площадь окружности.

Three Points Angle (Угол). Выберите любые три точки на изображении при помощи мыши. Программа рассчитает величину угла.

Рисунок и текст

При помощи приложения **PortableCaptureHD** вы можете добавлять рисунки или тексты на созданные изображения. При нажатии кнопки с изображением карандаша на панели управления в окне предварительного просмотра появится выпадающее меню. В нем можно выбрать любой из существующих инструментов для создания рисунков, а также настроить некоторые параметры. При нажатии кнопки с изображением двух букв «Т» на панели управления в окне предварительного просмотра появится выпадающее меню, в котором вы можете настроить шрифт и цвет надписи.

Работа с приложением на Mac OS

Откройте папку **mac** на установочном диске **Levenhuk DTX** и скопируйте файл **PortableCaptureHD** на рабочий стол. Подключите микроскоп к компьютеру через USB-кабель. Откройте приложение **PortableCaptureHD**, дважды щелкнув значок **PortableCaptureHD**.

В главном окне приложения можно увидеть увеличенное изображение препарата. В разделе **Preview Size** меню **Options** можно установить разрешение создаваемых снимков. Обратите внимание, что размер окна предварительного просмотра изменить нельзя (стандартное разрешение – 640x480), а установленное разрешение снимка отображается в левом нижнем углу окна.

В разделе **Date/Time** меню **Options** можно указать, будет ли отображаться время и дата создания снимка во время предварительного просмотра.

Чтобы сделать снимок или записать видеоролик, нажмите соответствующую кнопку на панели управления или выберите пункт **Photo** или **Video** в меню **Capture**.

Эскиз сделанного снимка или видеоролика появится в списке в правой части главного окна приложения. Дважды щелкните эскиз изображения, чтобы открыть его в окне предварительного просмотра, или щелкните мышью эскиз видеоролика, чтобы проиграть видеоролик.

Процесс работы с изображениями не отличается от других процессов работы на Mac OS.

Выберите пункт **Quit PortableCaptureHD** в главном меню, чтобы выйти из приложения.

Меры предосторожности

Никогда не смотрите в прибор на Солнце, на источник яркого света и лазерного излучения — ЭТО ОПАСНО ДЛЯ ЗРЕНИЯ И МОЖЕТ ПРИВЕСТИ К СЛЕПОТЕ! Белые светодиоды системы освещения микроскопа очень яркие; не смотрите на них, чтобы не повредить зрение. Будьте внимательны, если пользуетесь прибором вместе с детьми или людьми, не ознакомленными с инструкцией. Не разбирайте прибор. Сервисные и ремонтные работы могут проводиться только в специализированном сервисном центре. После вскрытия упаковки и установки микроскопа проверьте каждый компонент. Не касайтесь пальцами поверхностей линз. Для очистки линз используйте мягкую чистую салфетку, на которую можно капнуть немного спирта или эфира, но лучше всего использовать оригинальные средства для чистки оптики компании Levenhuk. Запрещается использовать для чистки средства с абразивными или коррозионными свойствами и жидкости на основе ацетона! Абразивные частицы (например, песок) следует не стирать, а сдувать или смахивать мягкой кисточкой. Не прикладывайте чрезмерных усилий при настройке фокуса. Не прилагайте излишних усилий к стопорным и фиксирующим винтам. Берегите прибор от резких ударов и чрезмерных механических воздействий. Микроскоп можно использовать при температуре от -5 °С до +50 °С. Помните, что резкие перепады температуры могут привести к запотеванию линз и образованию конденсата. Храните прибор в сухом прохладном месте, недоступном для пыли, влияния кислот или других активных химических веществ, вдали от отопителей (бытовых, автомобильных) и от открытого огня и других источников высоких температур. Не подвергайте прибор длительному воздействию прямых солнечных лучей. Не используйте прибор в условиях повышенной влажности и не погружайте его в воду. Работайте с микроскопом аккуратно, надевайте на него пылаезащитный чехол после работы, чтобы защитить его от пыли и масляных пятен. Во избежание потери данных и повреждения оборудования отключайте микроскоп от компьютера только после закрытия приложения. Дождитесь выключения системы освещения и отключите микроскоп. Если деталь прибора или элемент питания были проглочены, срочно обратитесь за медицинской помощью.

Использование элементов питания

Всегда используйте элементы питания подходящего размера и соответствующего типа. При необходимости замены элементов питания меняйте сразу весь комплект, не смешивайте старые и новые элементы питания и не используйте элементы питания разных типов одновременно. Перед установкой элементов питания очистите контакты элементов и контакты в корпусе прибора. Устанавливайте элементы питания в соответствии с указанной полярностью (+ и -). Если прибор не используется длительное время, следует вынуть из него элементы питания. Оперативно вынимайте из прибора использованные элементы питания. Не пытайтесь перезарядить гальванические элементы питания - они могут протечь, воспламениться или взорваться. Никогда не закорачивайте полюса элементов питания – это может привести к их перегреву, протечке или взрыву. Не пытайтесь нагревать элементы питания, чтобы восстановить их работоспособность. Выключайте прибор после использования. Храните элементы питания в недоступном для детей месте, чтобы избежать риска их проглатывания, удушья или отравления.

Технические характеристики

Число мегапикселей	3
Увеличение, крат	10–200
Доступные разрешения записи изображений	14M, 8M, 5M, 3M, 2M, WVGA
Доступные разрешения записи видеороликов	1080P Full HD, 720P, VGA
Фото/видео Фокусировка	*.jpeg // HDMI: *h.264; USB: *.mjpeg ручная, в пределах от 10 до 500 мм
Источник освещения	8 светодиодов с регулируемой яркостью системы
Питание	5В постоянного тока через USB-кабель 2.0
Язык ПО	английский, немецкий, испанский, русский, итальянский, французский, португальский, голландский, польский, японский, корейский, китайский
Возможность подключения другого оборудования	поддержка карт памяти microSD до 32 ГБ (в комплект не входит)
Диапазон рабочих температур, °С	-5...+50

Компания Levenhuk оставляет за собой право вносить любые изменения или прекращать производство изделия без предварительного уведомления.

Требования к системе

Монитор/телевизор: с разъемом HDMI; операционная система: Windows XP/7/8/10, Mac 10.7 и выше; ЦПУ: P4 1,8 ГГц и выше; ОЗУ: 512 Мб; видеокарта: 64 Мб; интерфейс: разъем USB 2.0; диск: CD-ROM.

Международная пожизненная гарантия Levenhuk

Компания Levenhuk гарантирует отсутствие дефектов в материалах конструкции и дефектов изготовления изделия. Продавец гарантирует соответствие качества приобретенного вами изделия компании Levenhuk требованиям технической документации при соблюдении потребителем условий и правил транспортировки, хранения и эксплуатации изделия. Срок гарантии: на аксессуары — 6 (шесть) месяцев со дня покупки, на остальные изделия — пожизненная гарантия (действует в течение всего срока эксплуатации прибора). Гарантия позволяет бесплатно отремонтировать или обменять продукт Levenhuk, подпадающий под условия гарантии, в любой стране, где есть офис Levenhuk. Подробнее об условиях гарантийного обслуживания см. на сайте <http://www.levenhuk.ru/support>.

По вопросам гарантийного обслуживания вы можете обратиться в ближайшее представительство компании Levenhuk.

The original Levenhuk cleaning accessories



Levenhuk Cleaning Pen LP10



Removes dust with a brush
The soft tip is treated with a special cleaning fluid that removes greasy stains
Does not damage optical coatings of the lenses
Leaves no smudges or stains

levenhuk.com

Levenhuk, Inc. 924-D East 124th Ave. Tampa, FL 33612 USA
Levenhuk® is a registered trademark of Levenhuk, Inc.
© 2006-2017 Levenhuk, Inc. All rights reserved.
20170320

levenhuk[®]
Zoom&Joy[®]