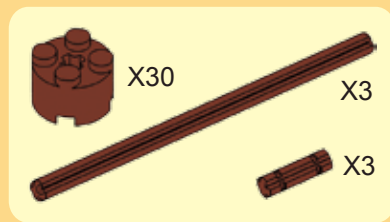
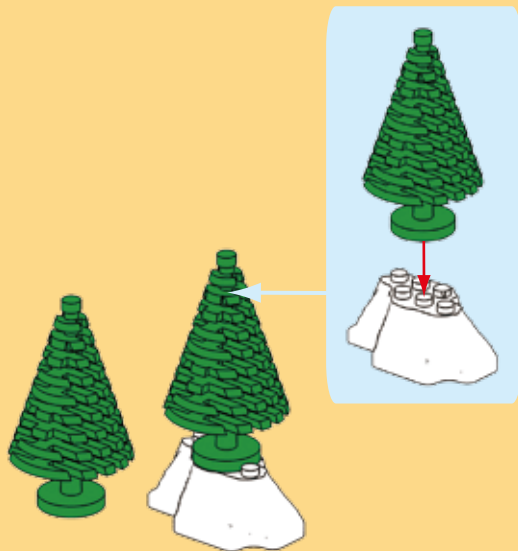
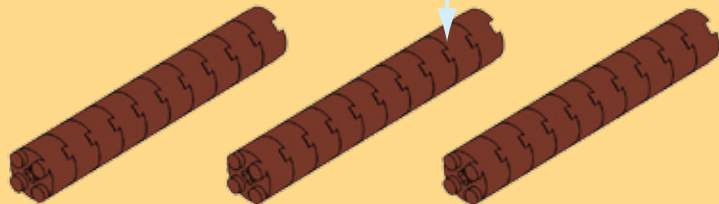
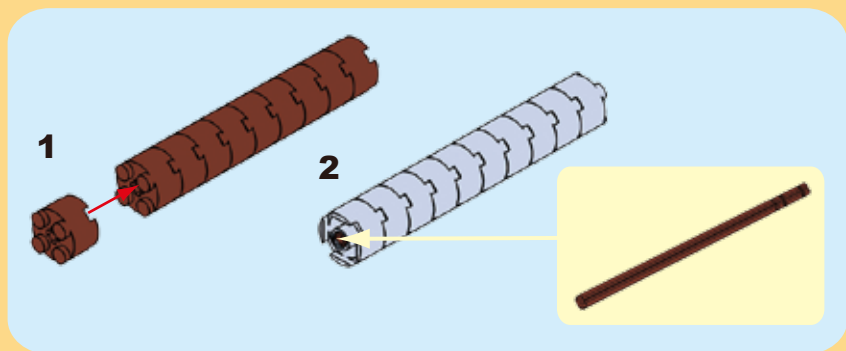
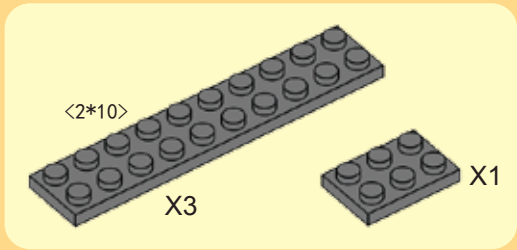


1

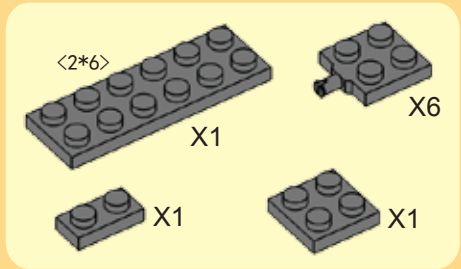
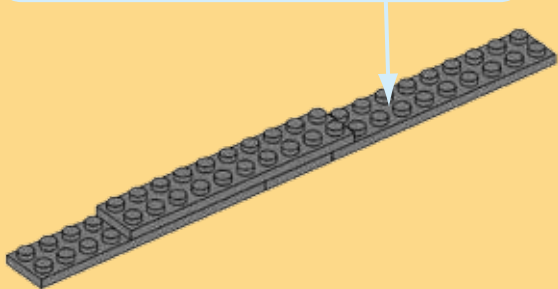
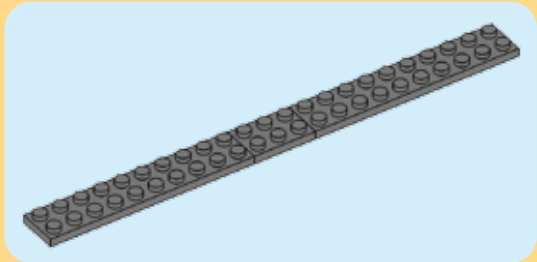


2

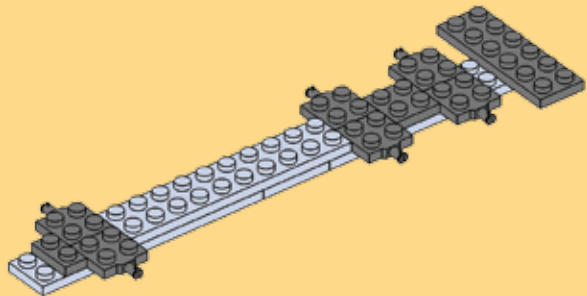


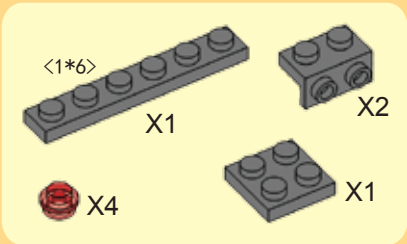


3

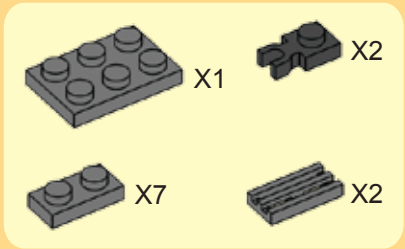
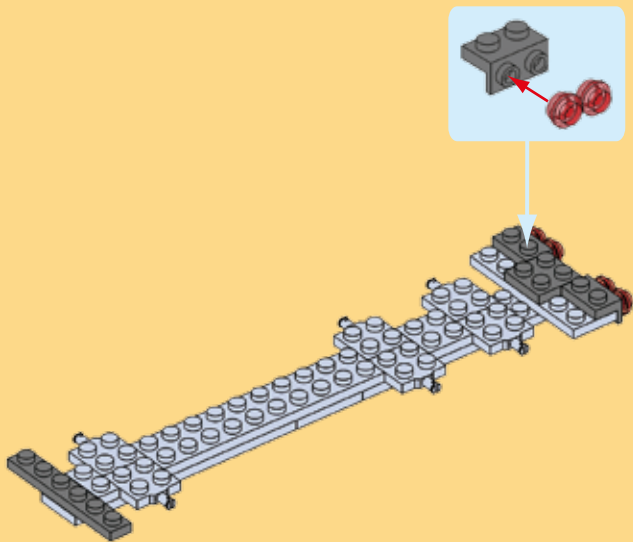


4

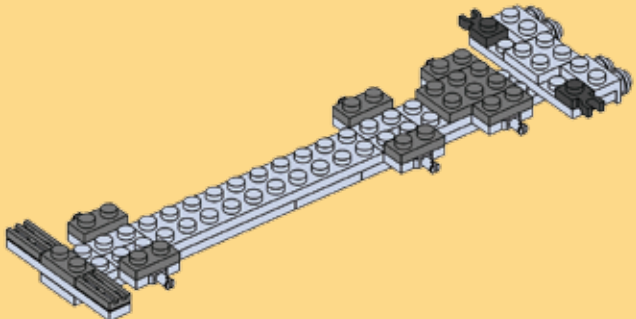


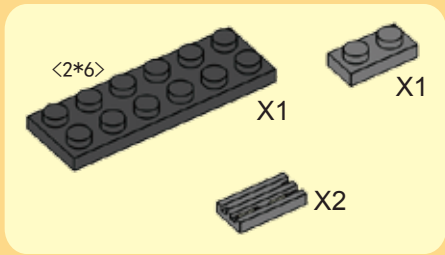


5

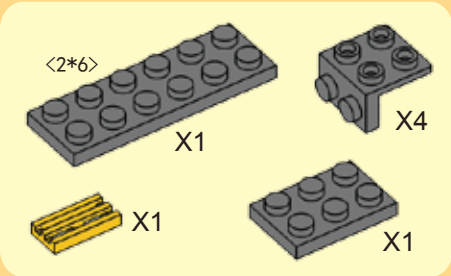
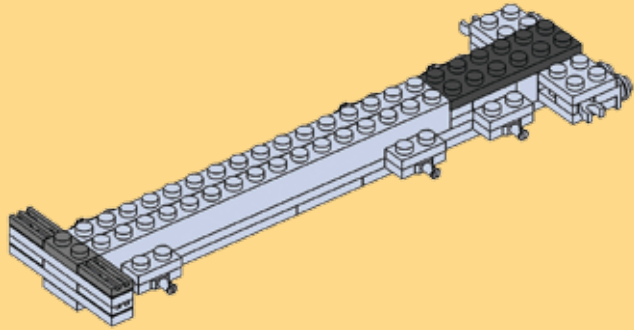


6

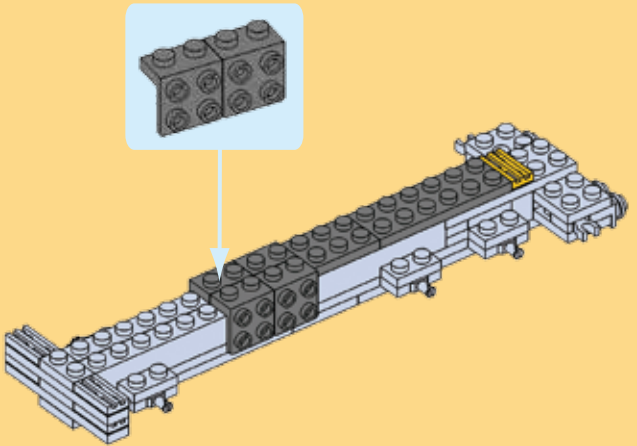


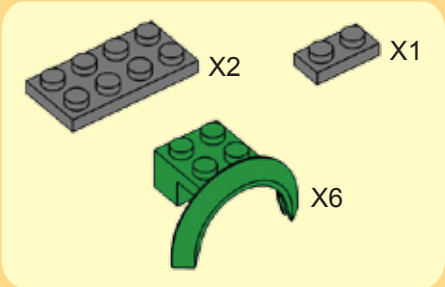


9

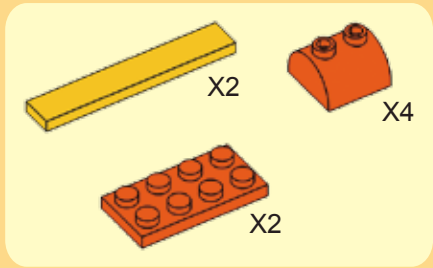
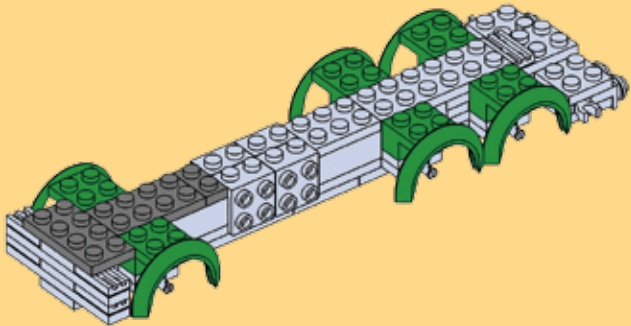


10

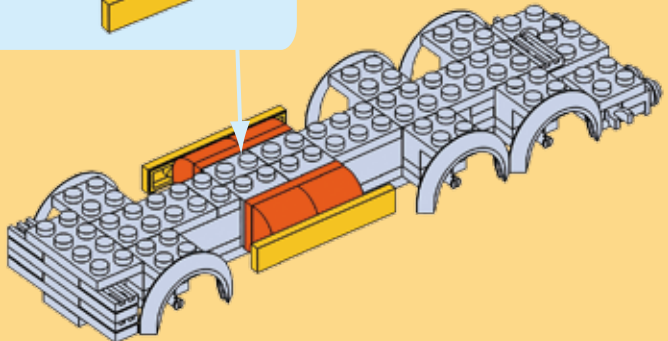
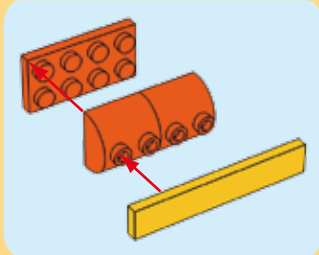


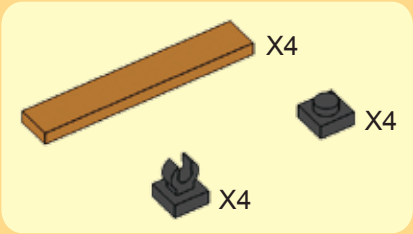


11

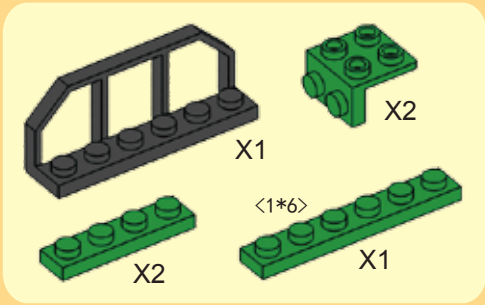


12

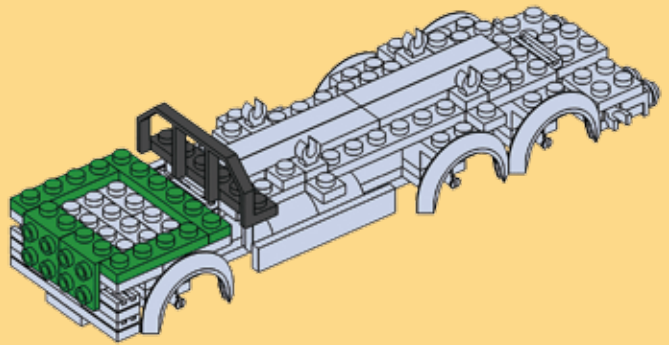
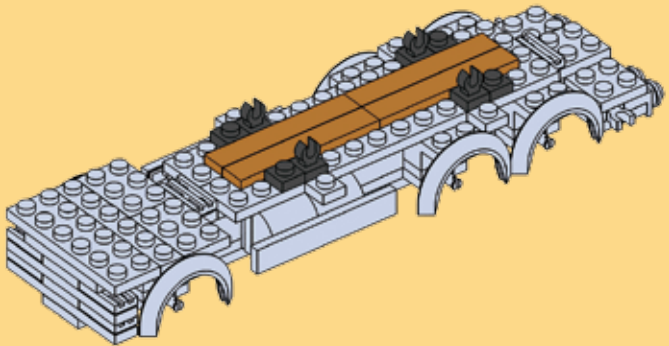




15

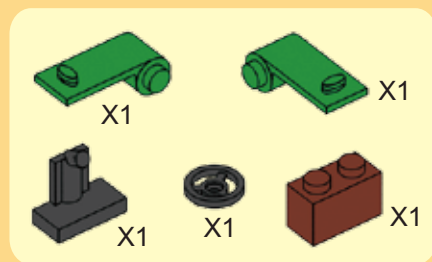
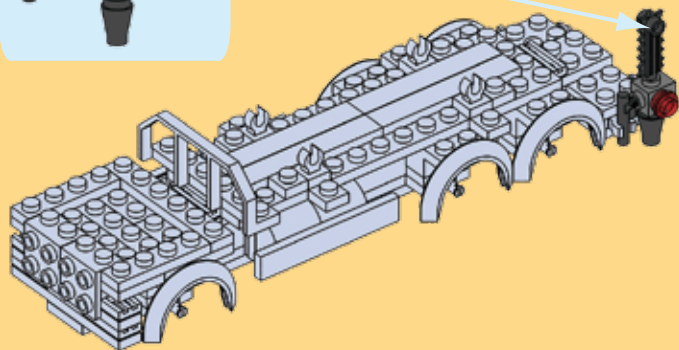
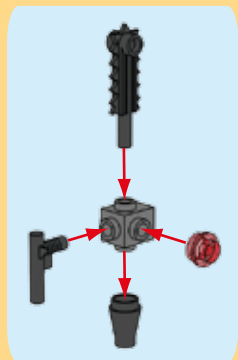


16

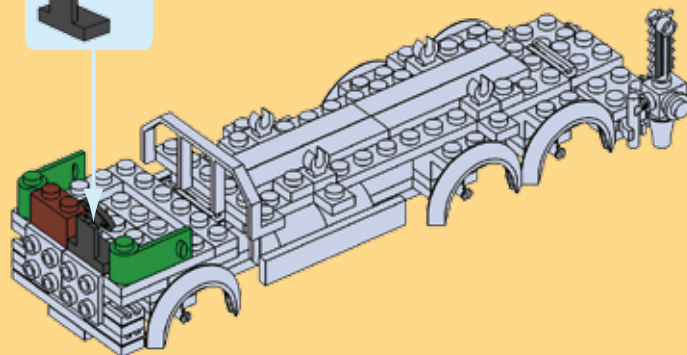
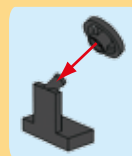


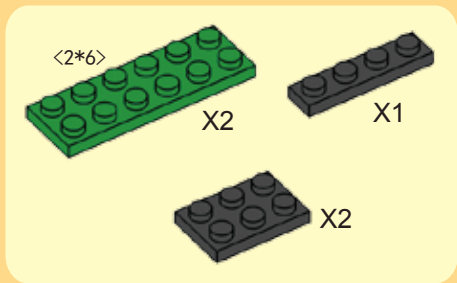


17



18

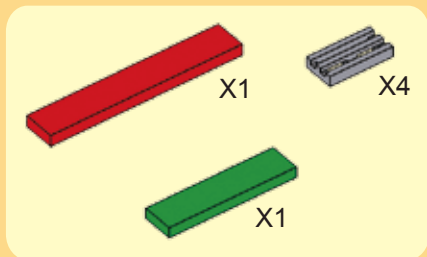
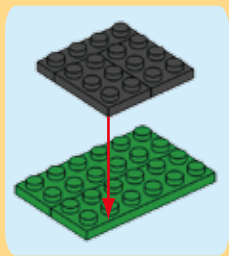




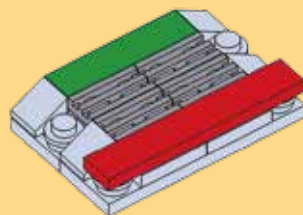
19



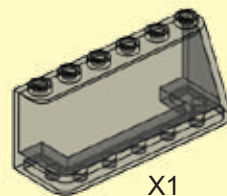
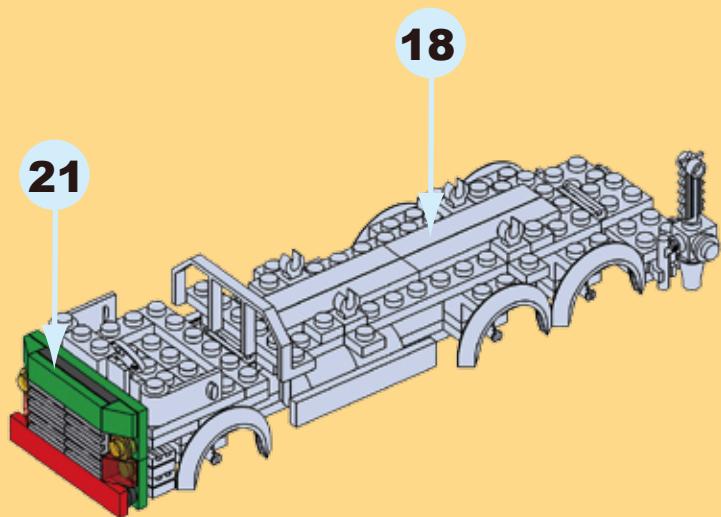
20



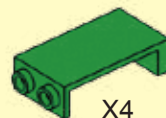
21



22

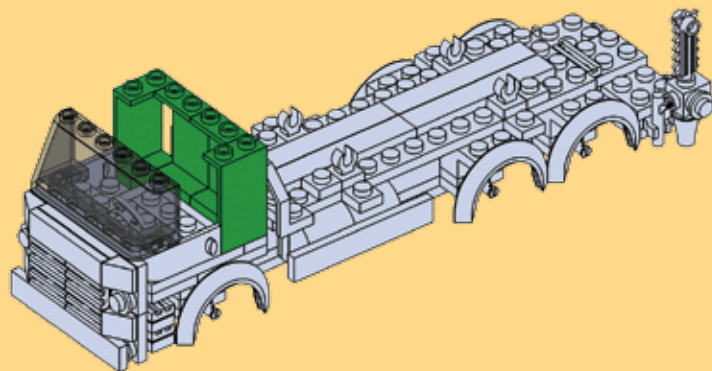


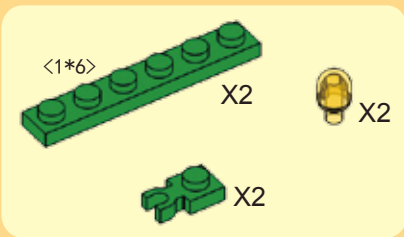
X1



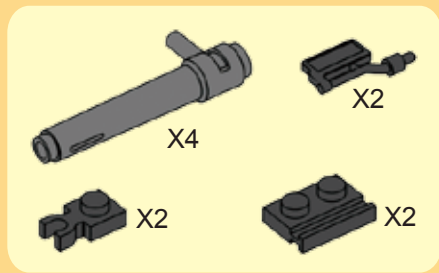
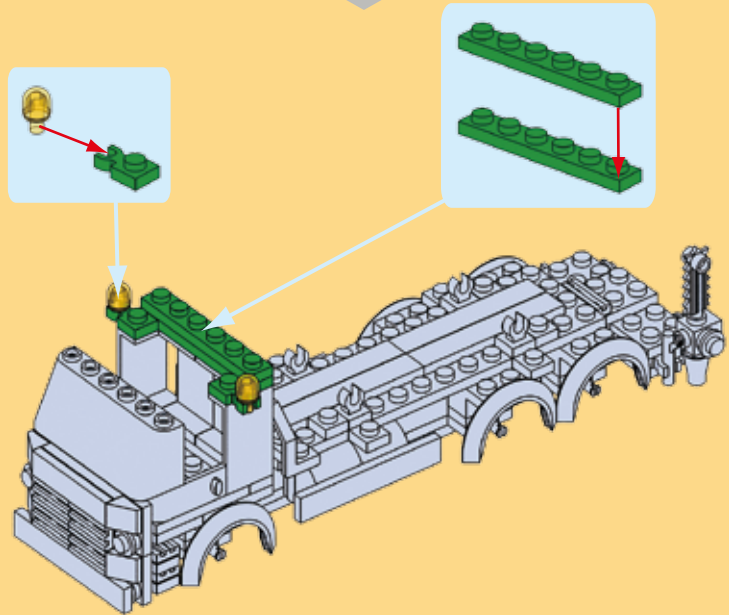
X4

23

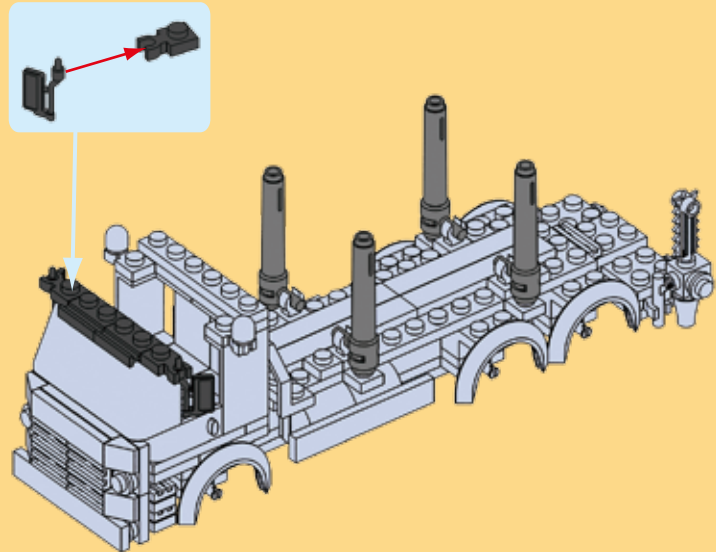


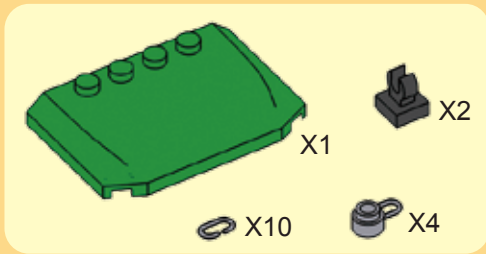


24

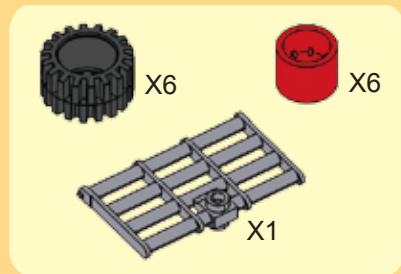
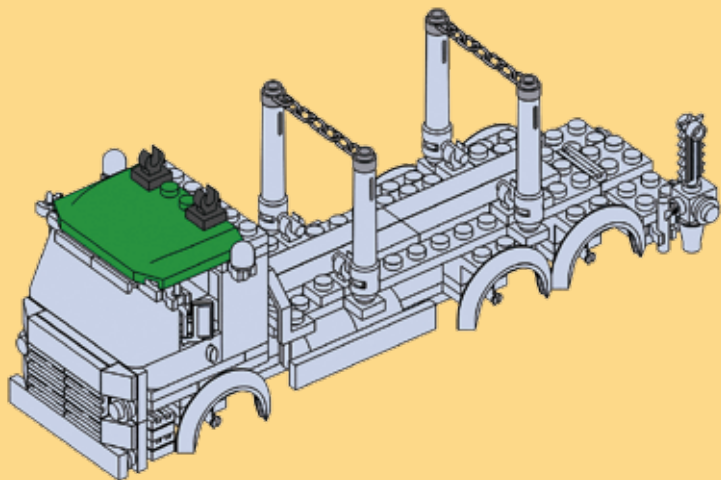


25

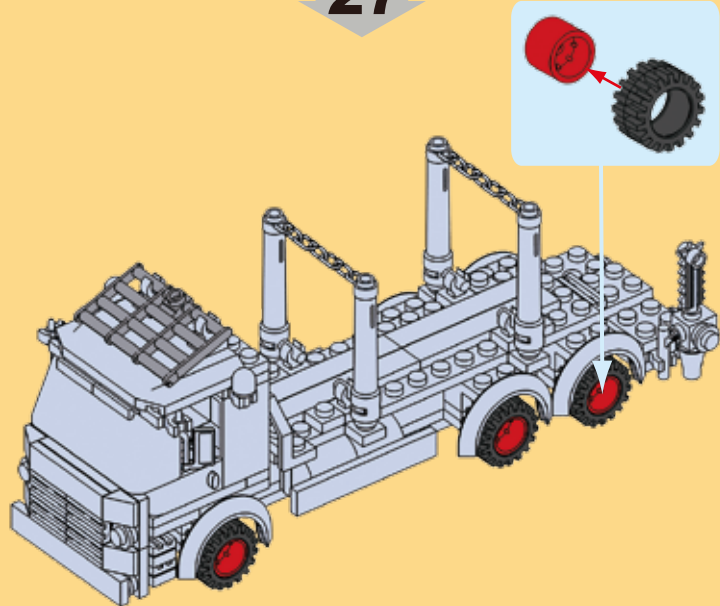


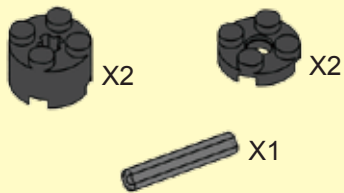


26

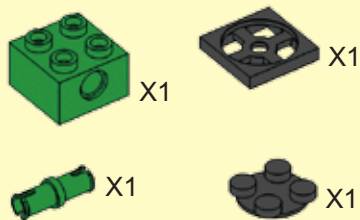


27

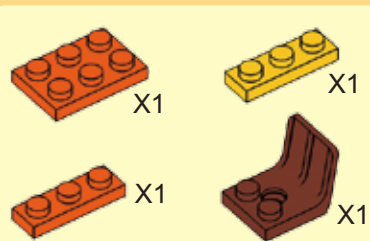
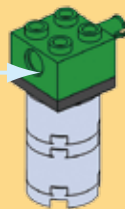
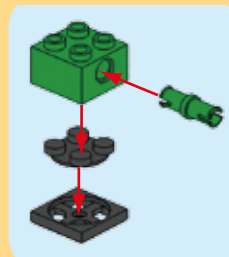
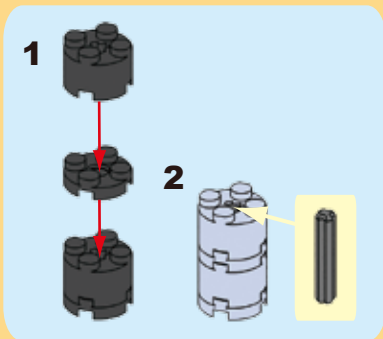




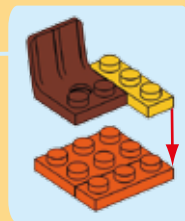
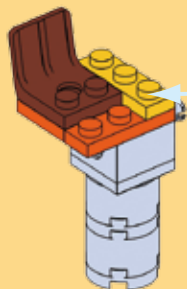
28



29

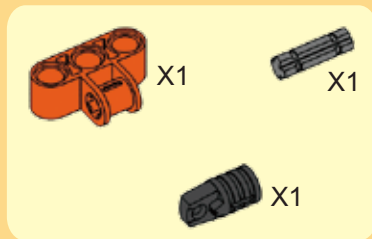
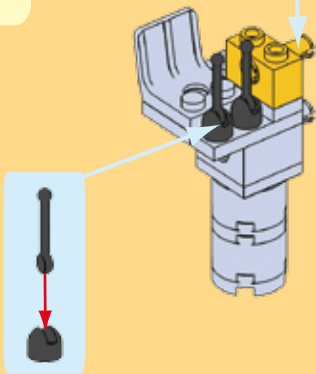


30

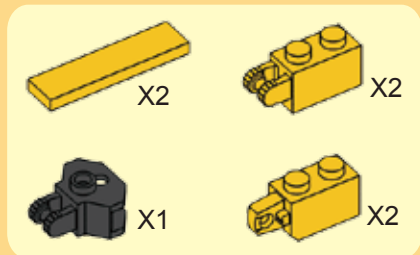
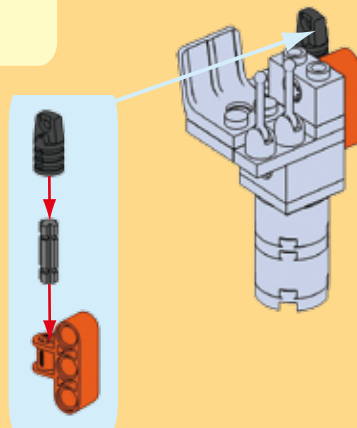




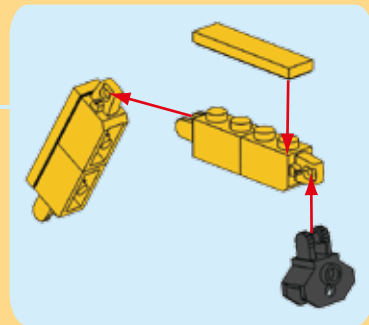
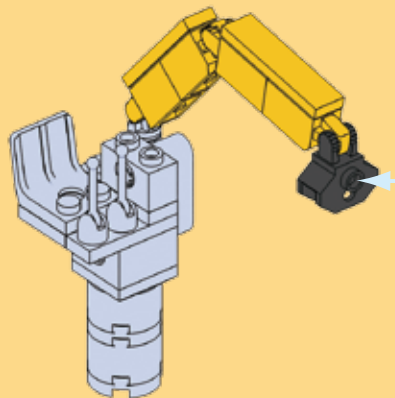
31



32

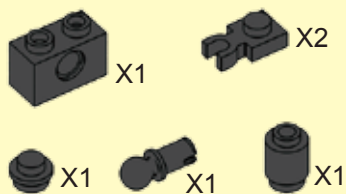


33

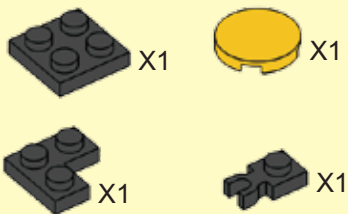
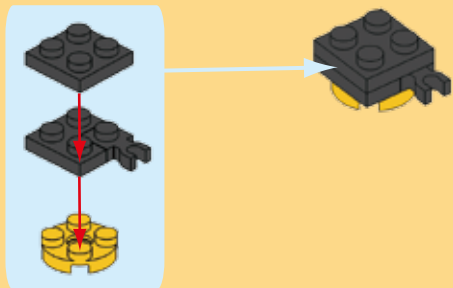




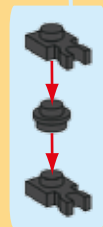
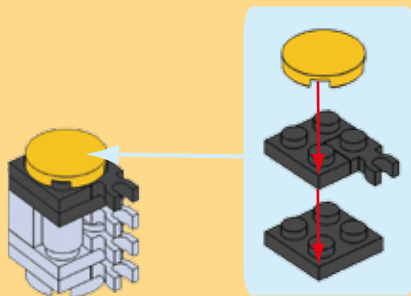
34

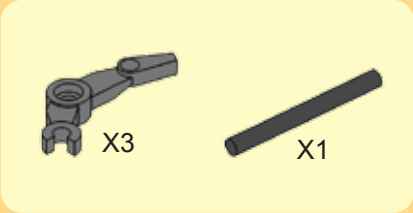


35

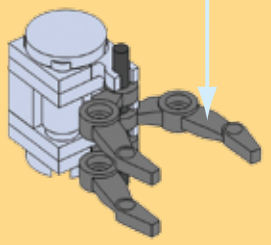
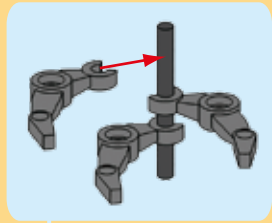


36

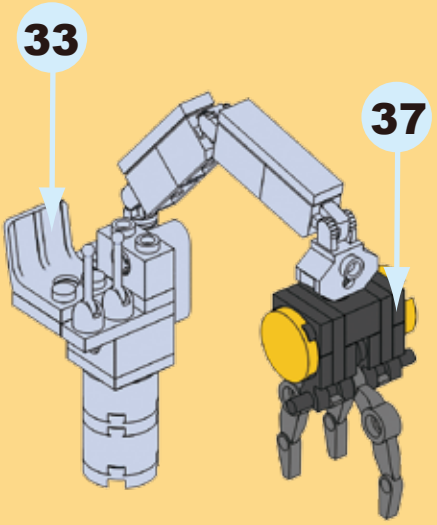


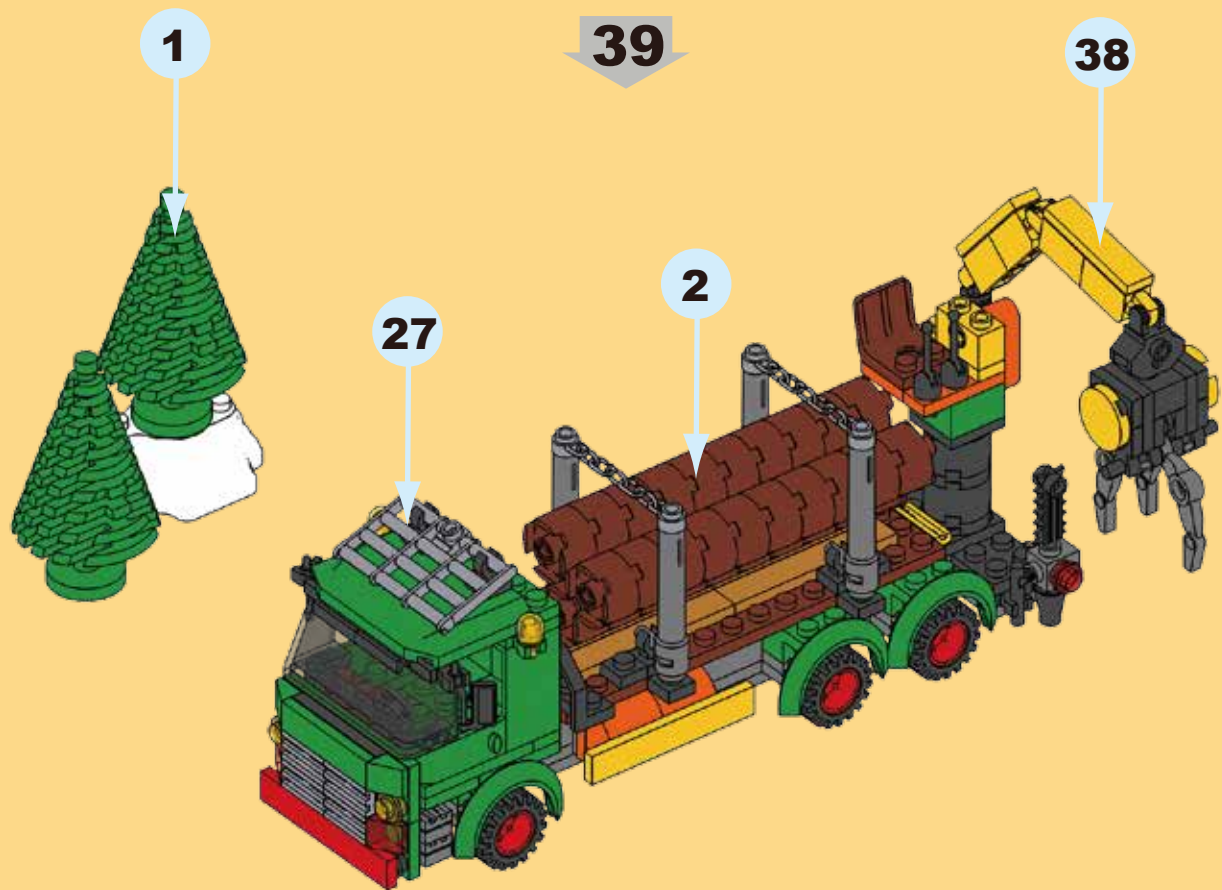


37



38





CONSTRUCTION
ENGINEERING

NO.29507



6+ AGES

CONSTRUCTION

ENGINEERING

