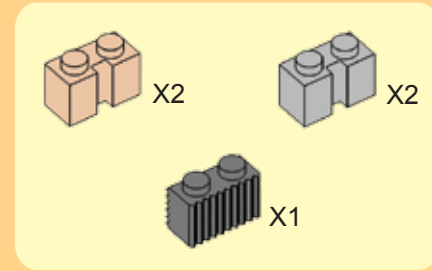
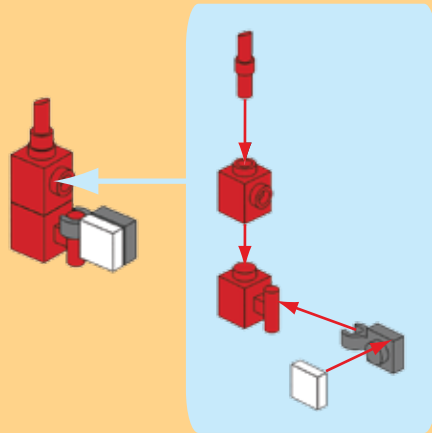
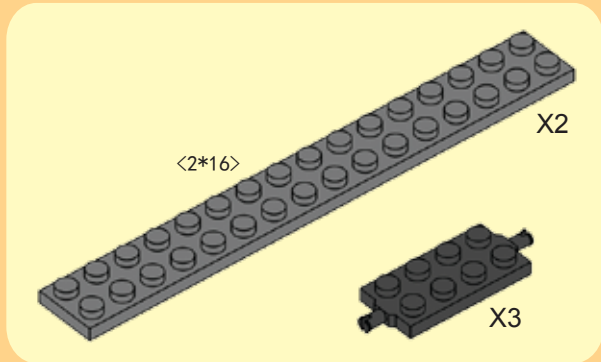
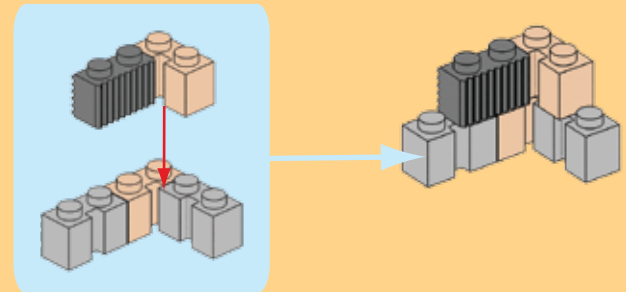


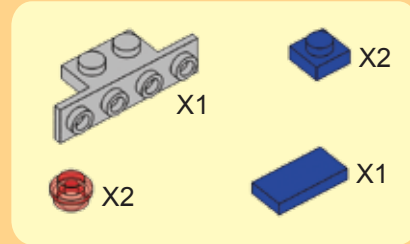
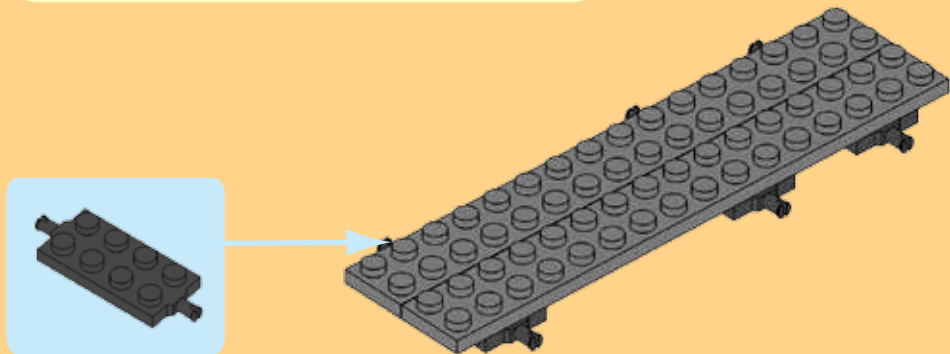
1



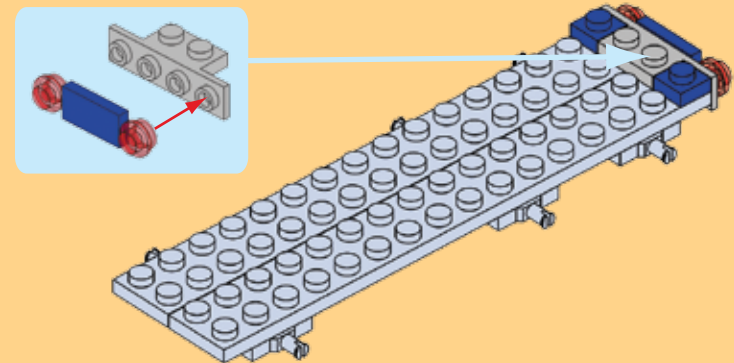
2

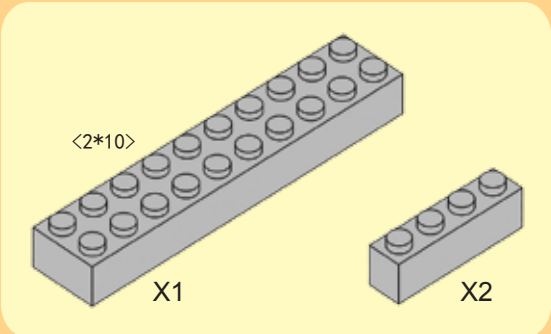


3

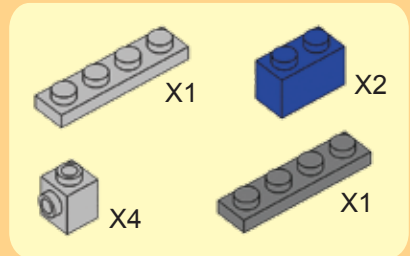
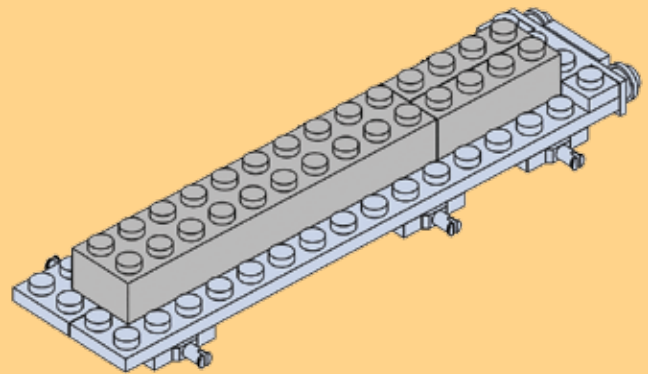


4

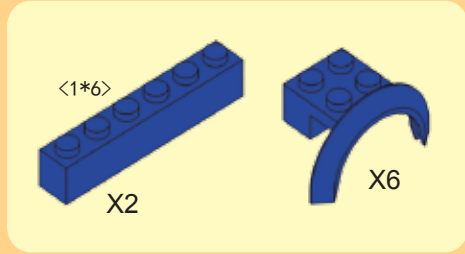
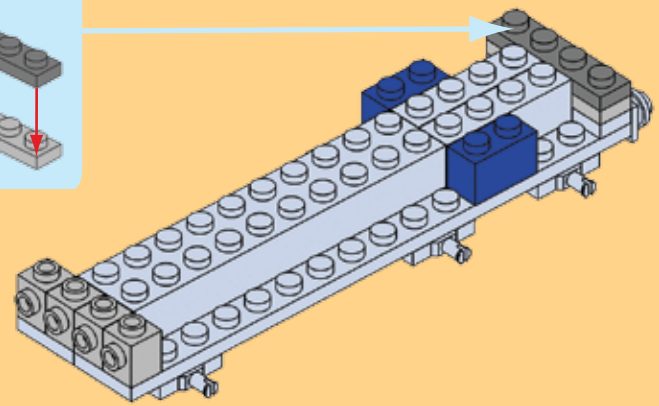
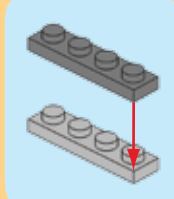




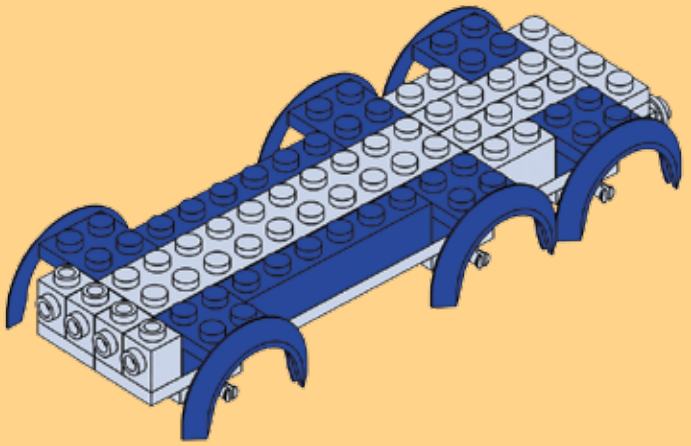
5

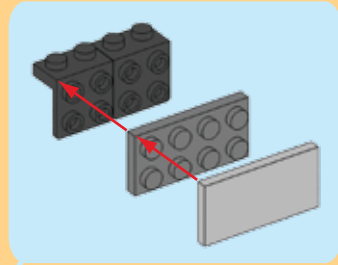
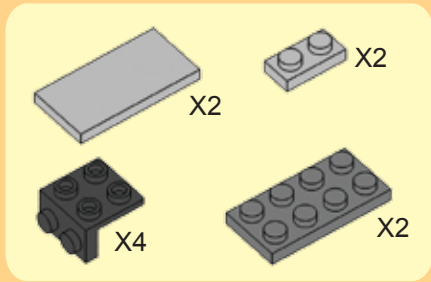


6

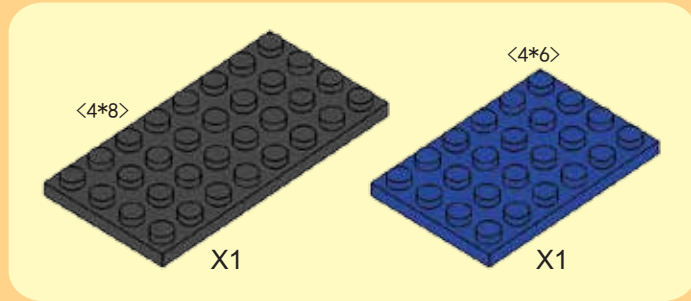
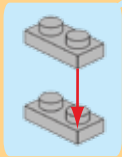
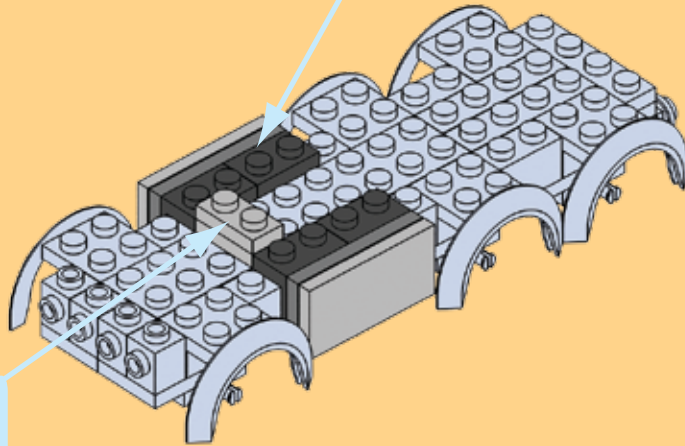


7

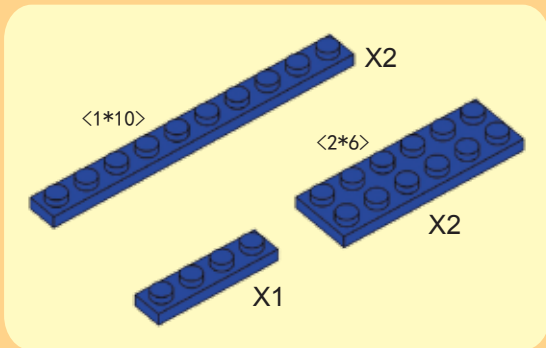
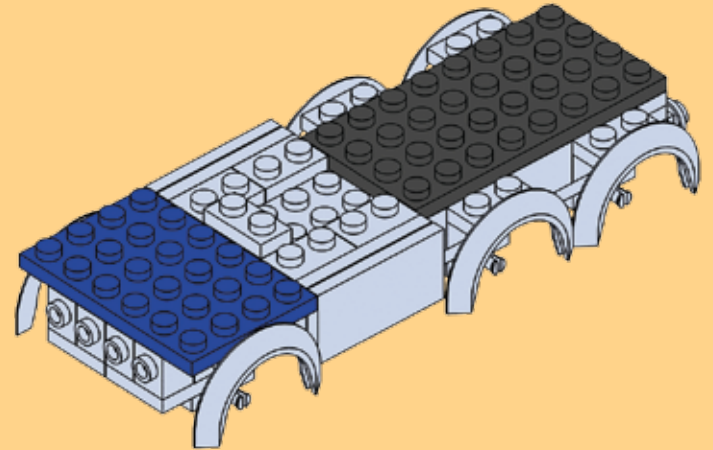




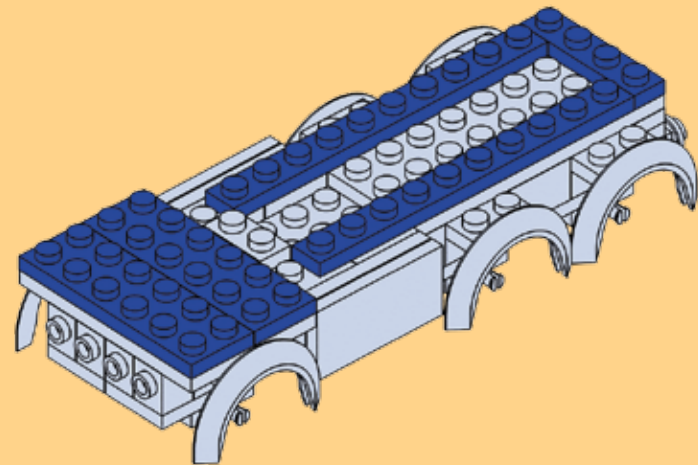
8

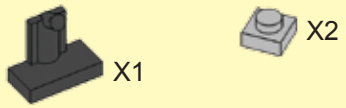


9

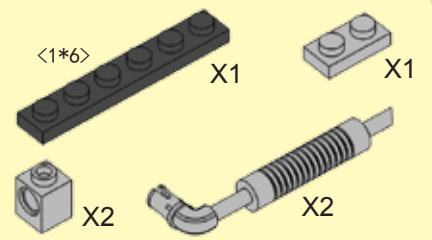
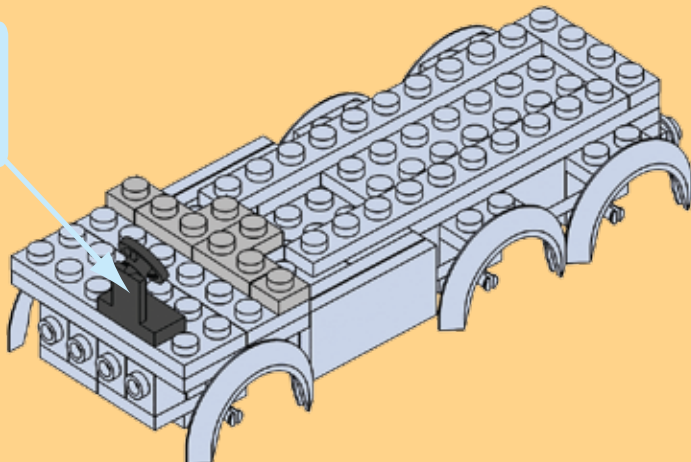
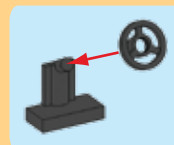


10

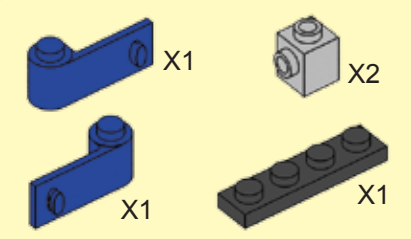
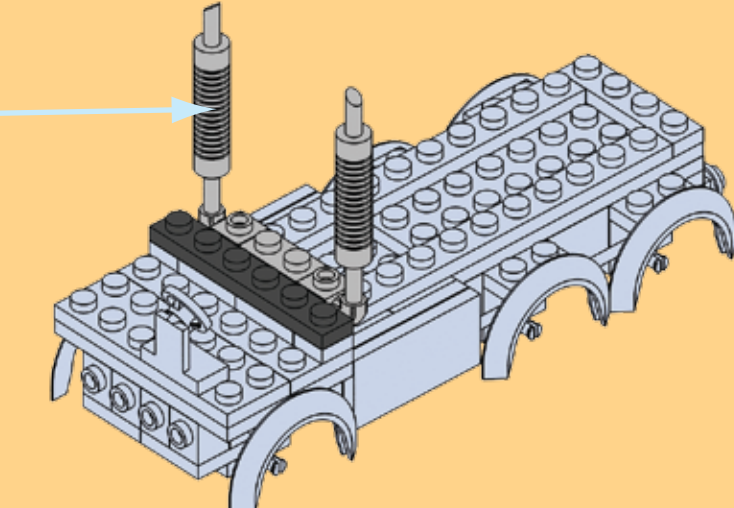
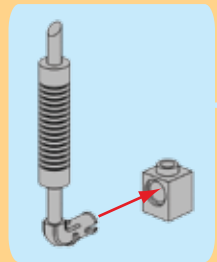




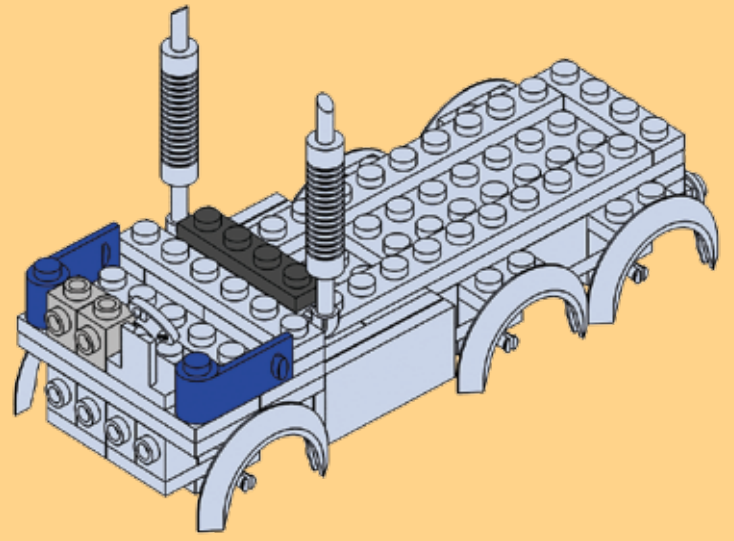
11

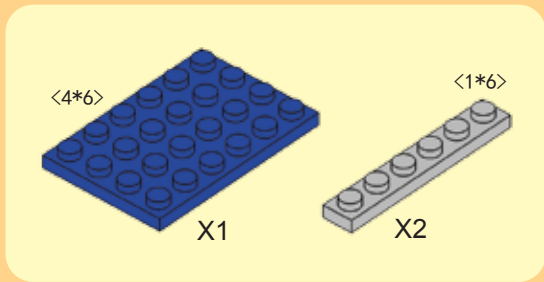


12

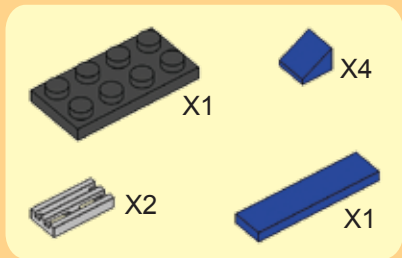
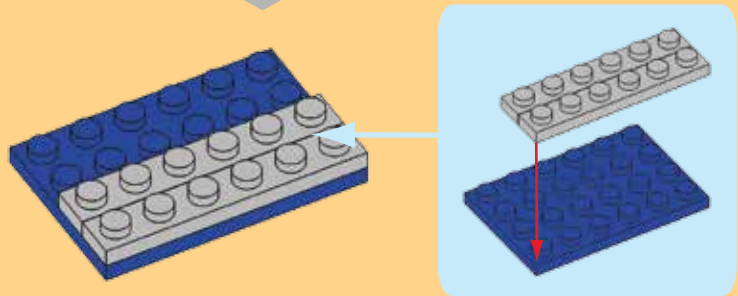


13

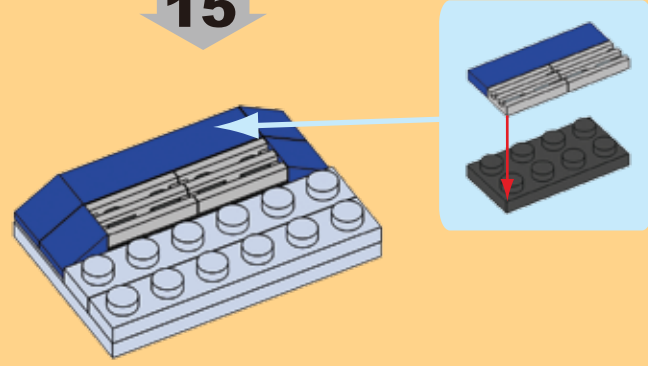




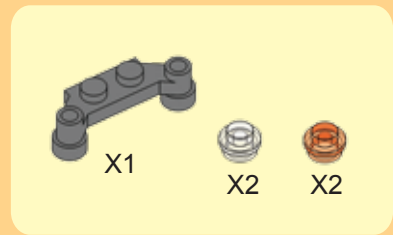
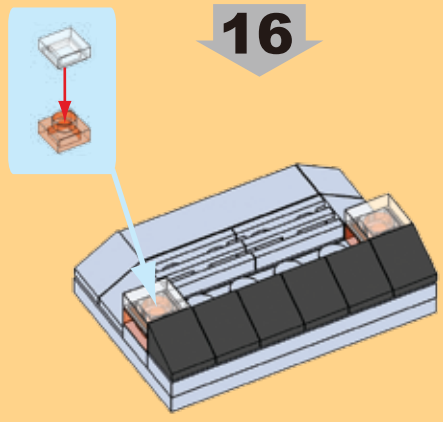
14



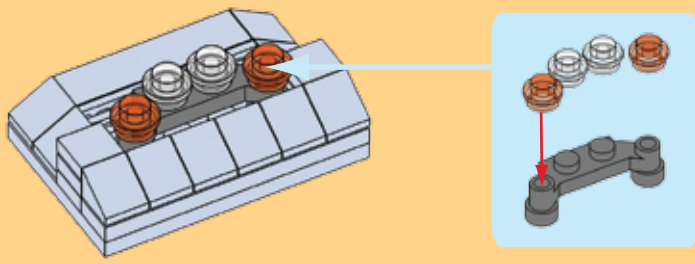
15



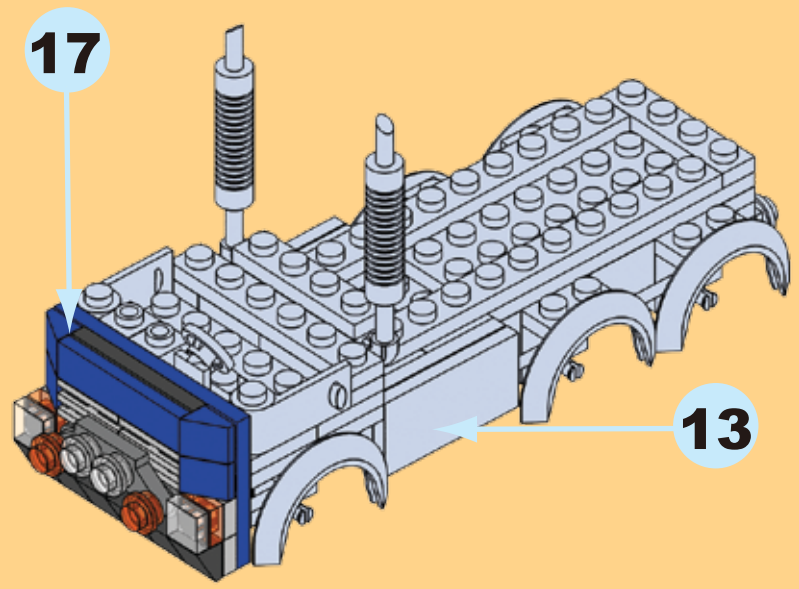
16

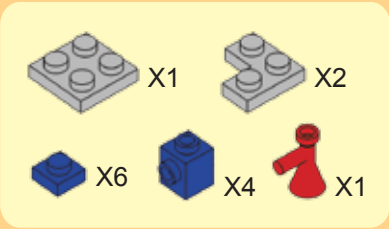


17

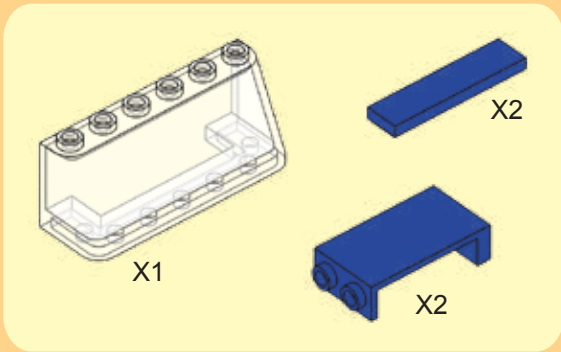


18

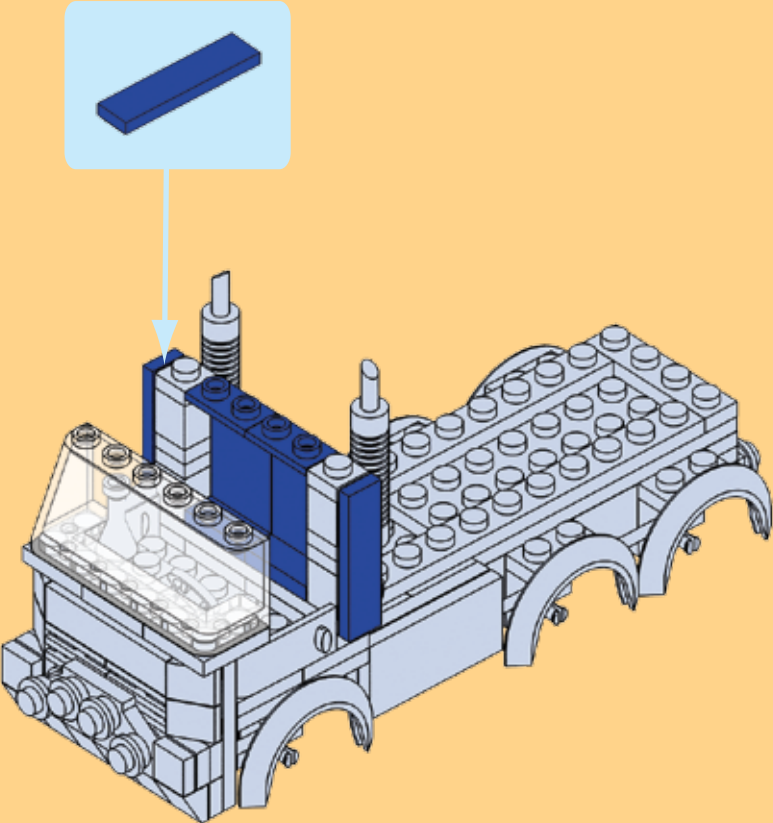
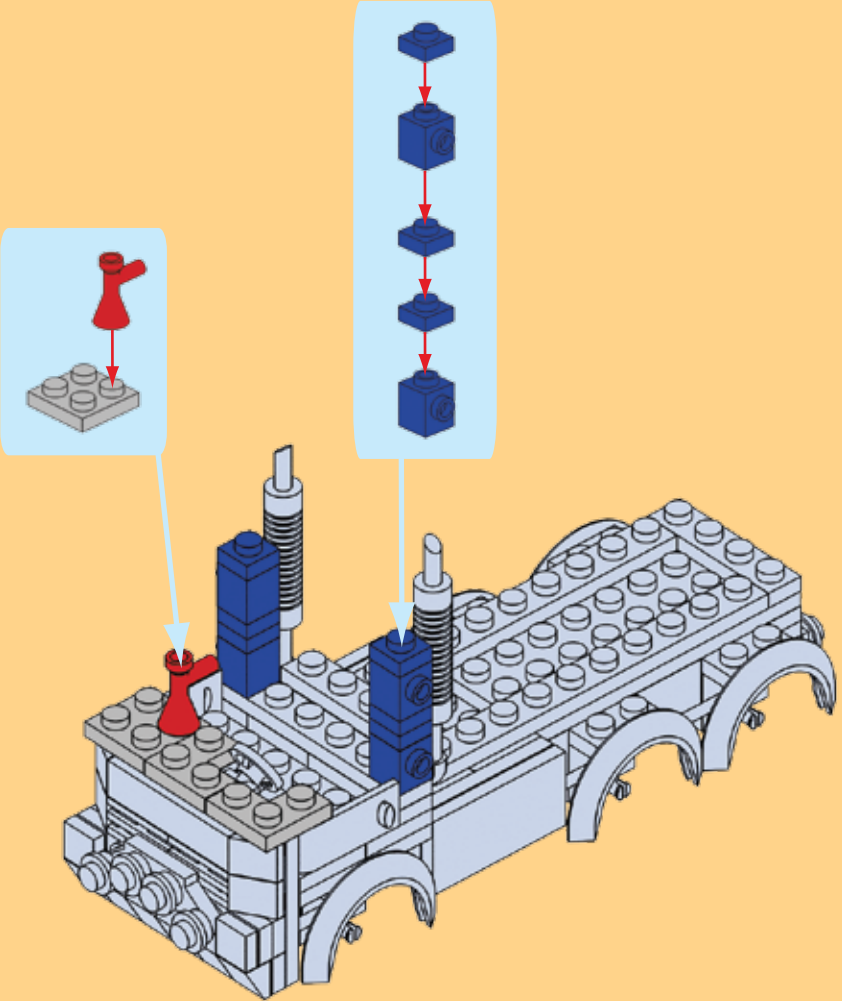


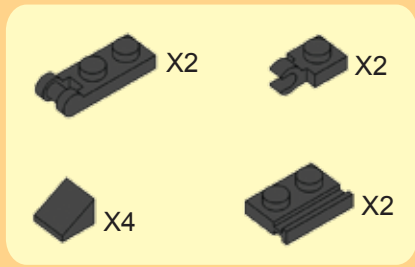


19

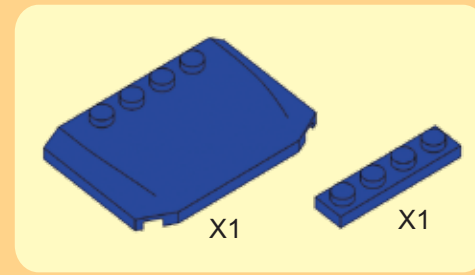


20

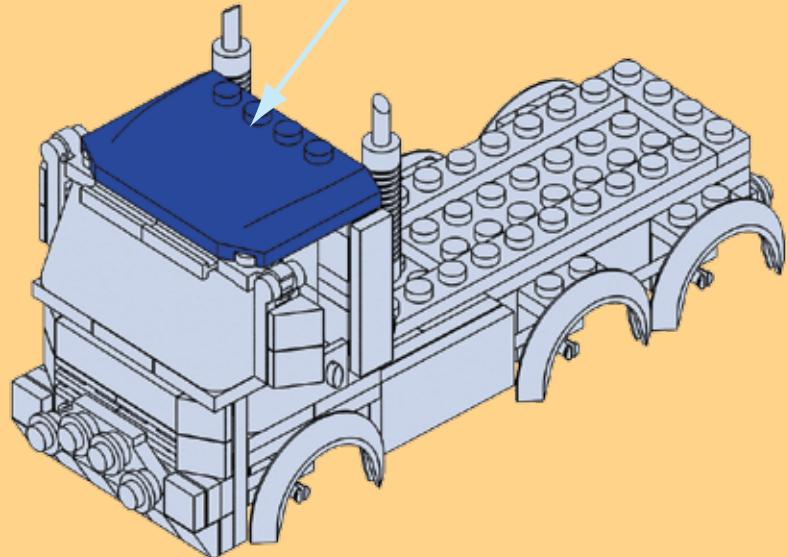
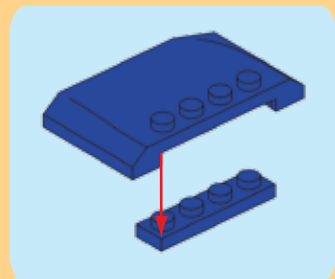
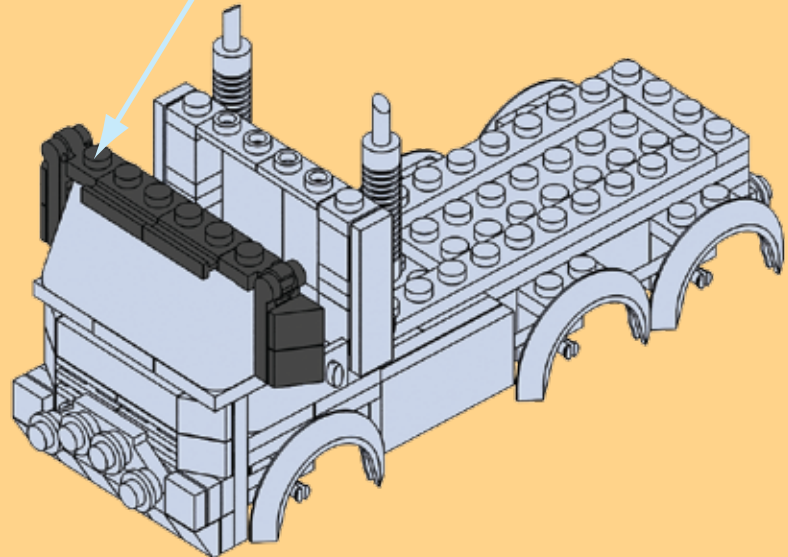
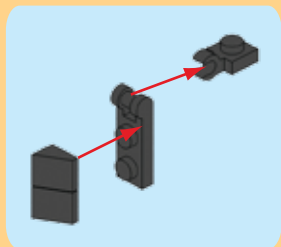


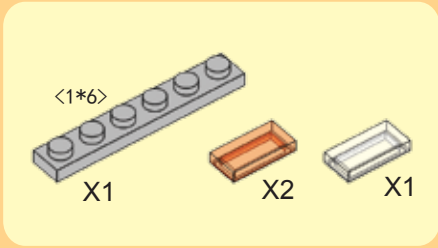


21

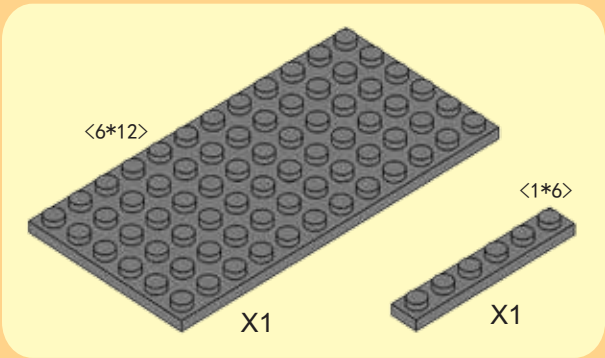


22

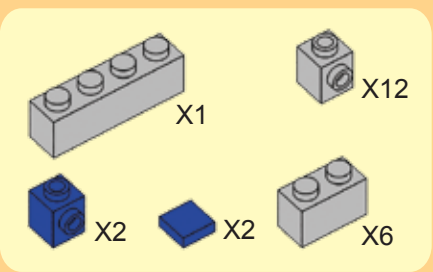
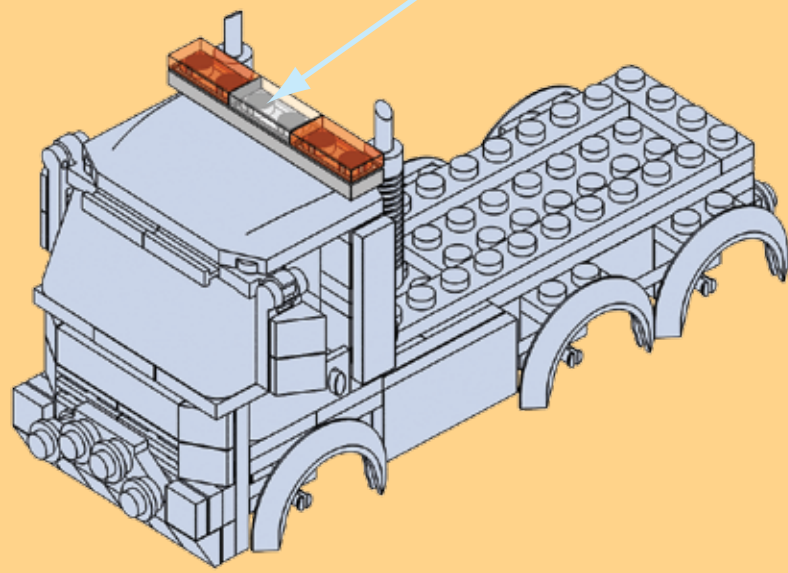
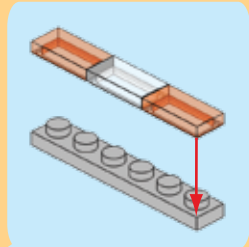
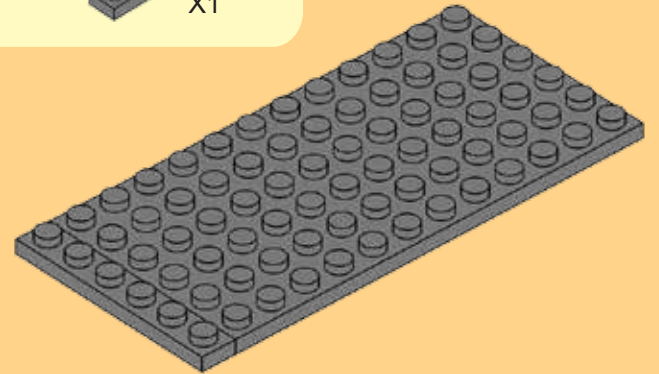




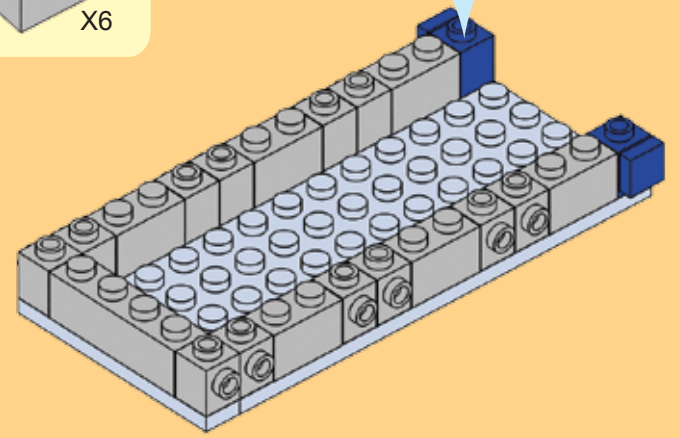
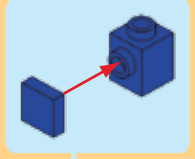
23

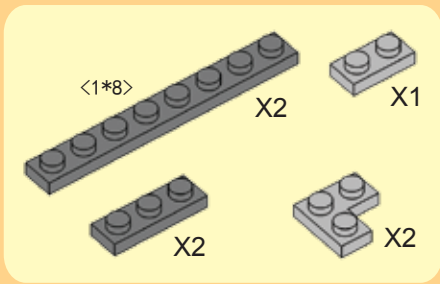


24

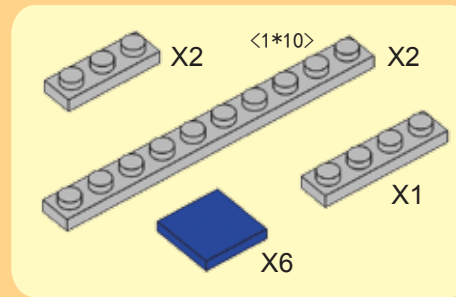
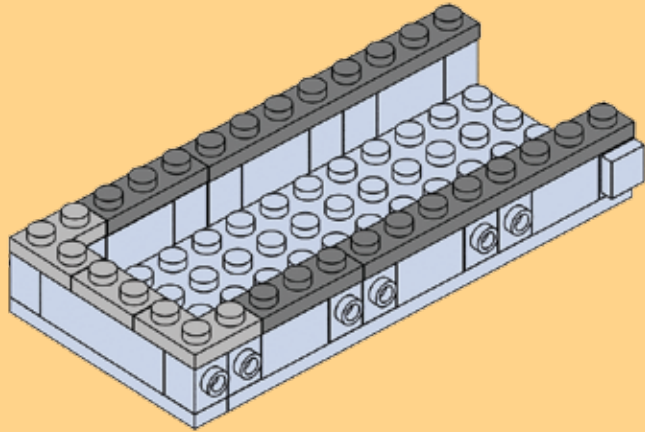


25

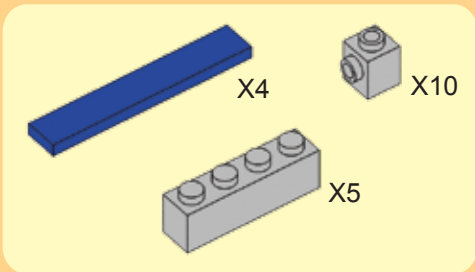
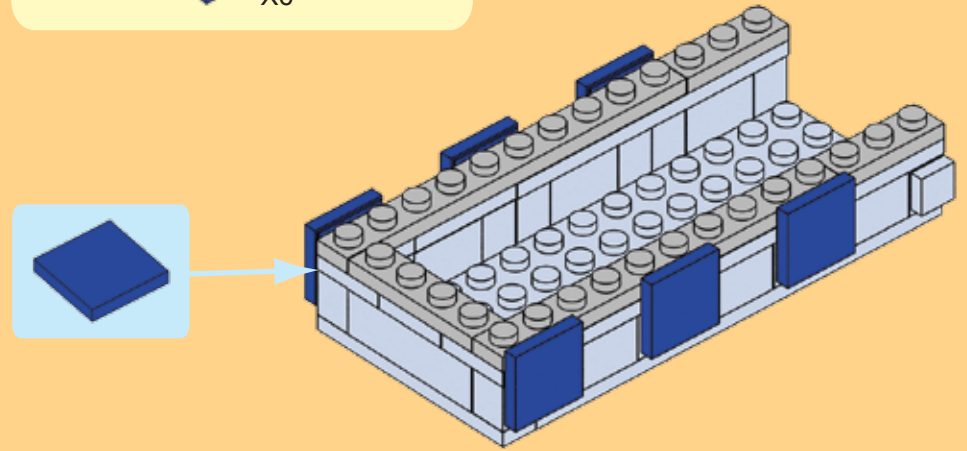




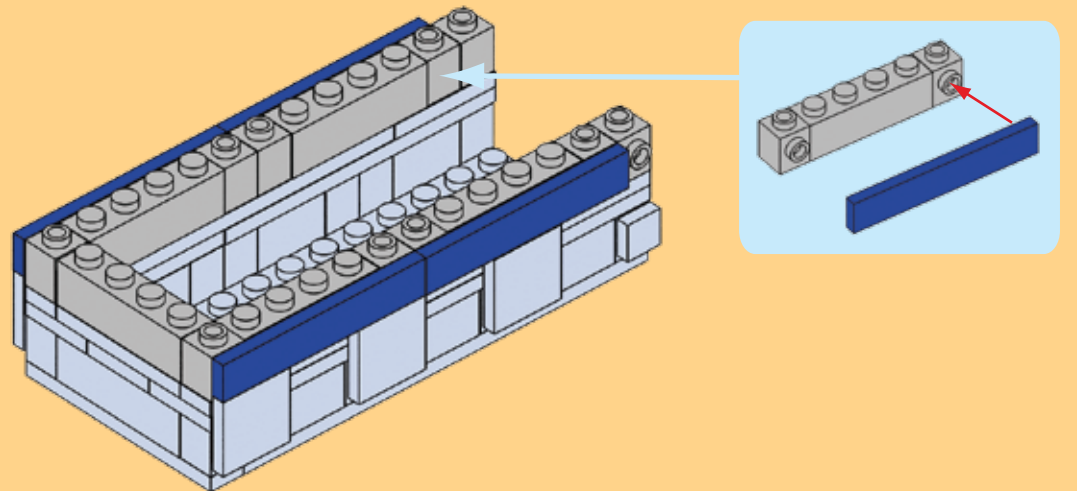
26

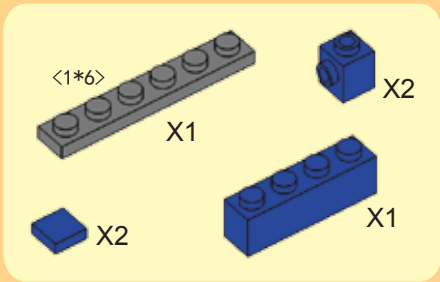


27

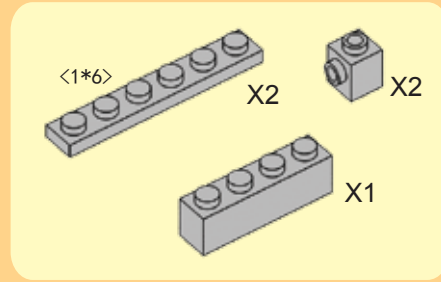
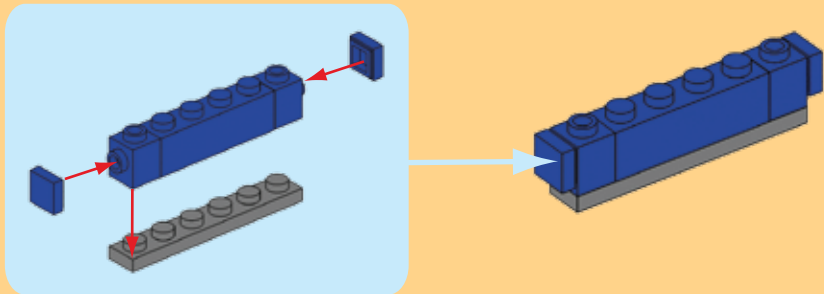


28

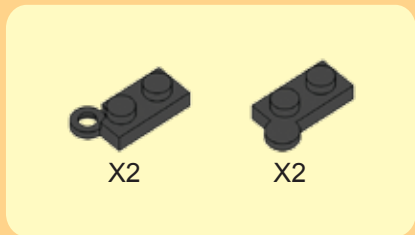
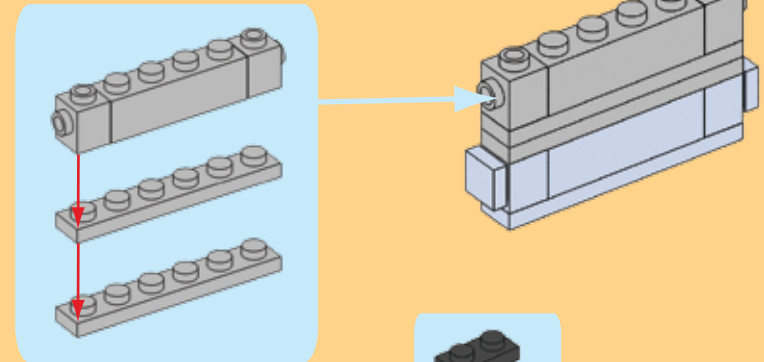




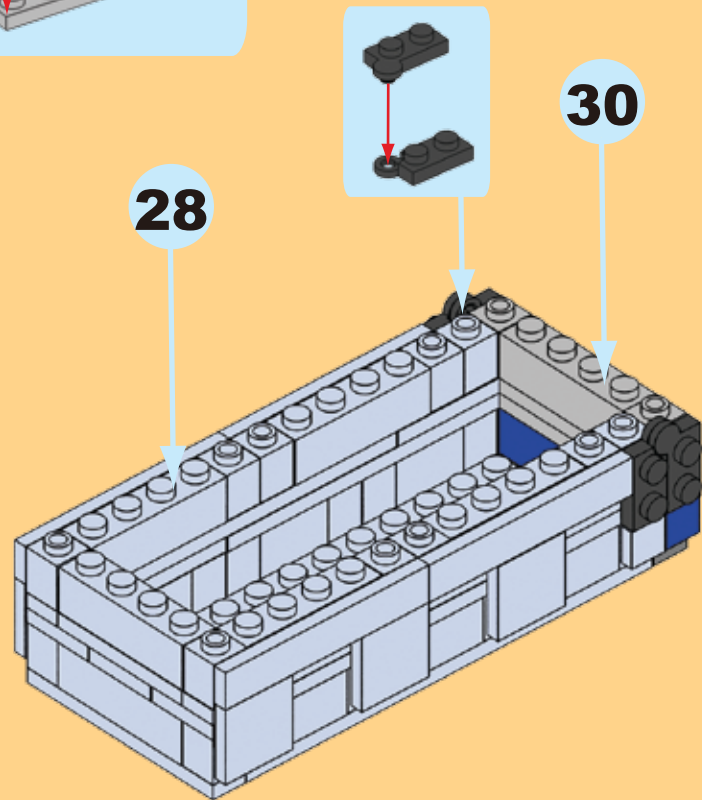
29



30

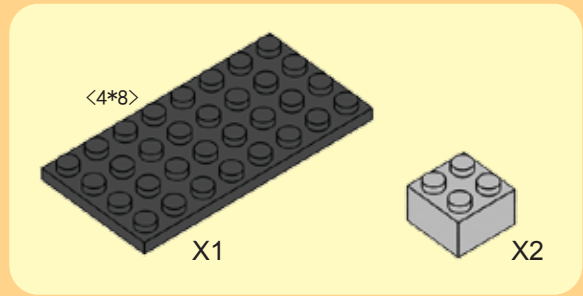


31

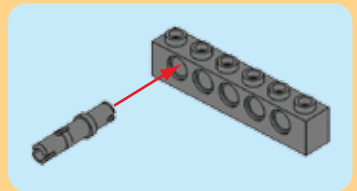
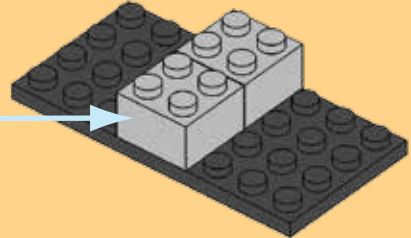
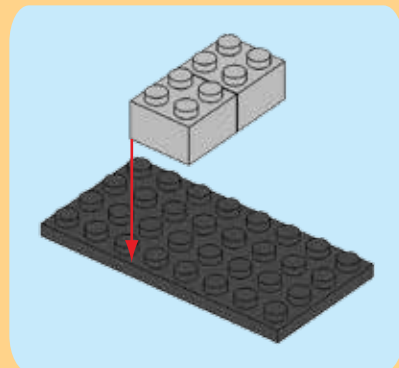




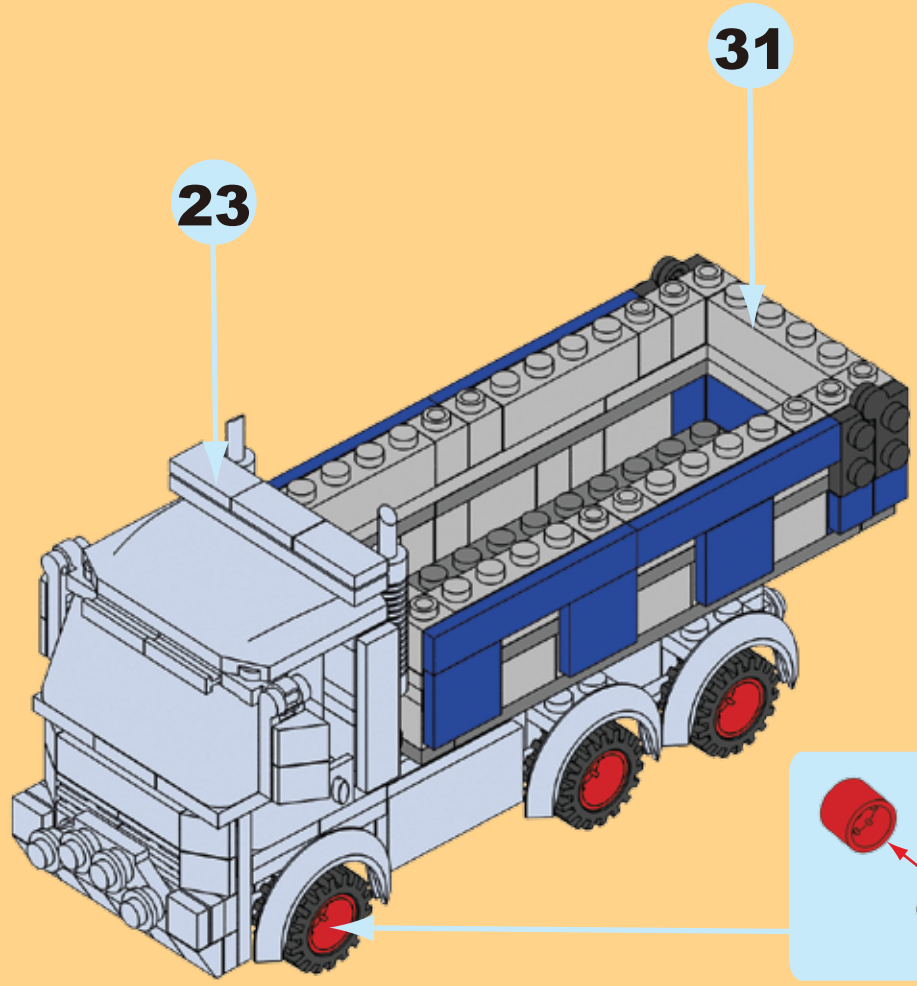
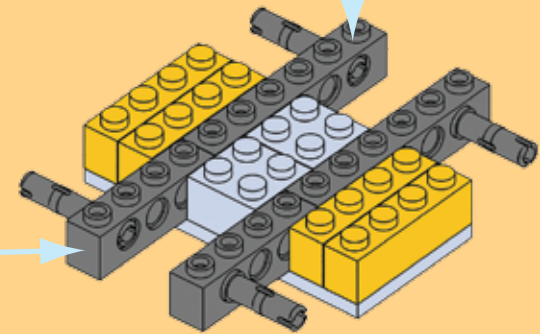
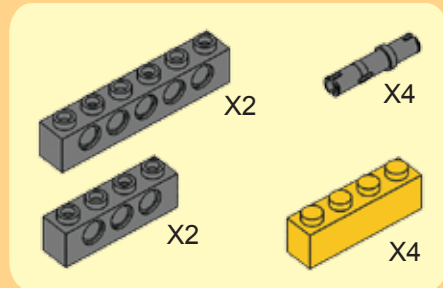
32



33

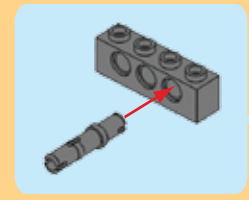
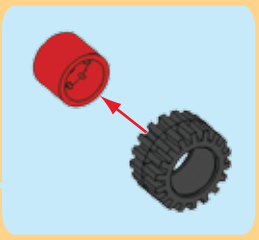


34

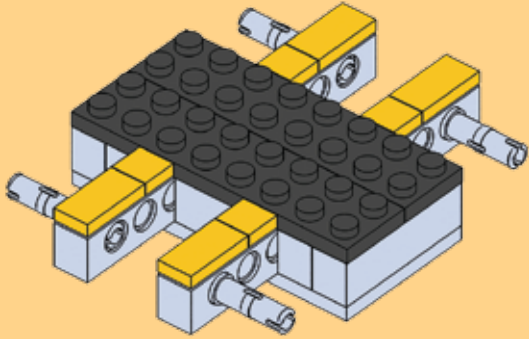
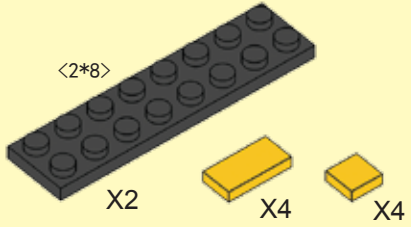


23

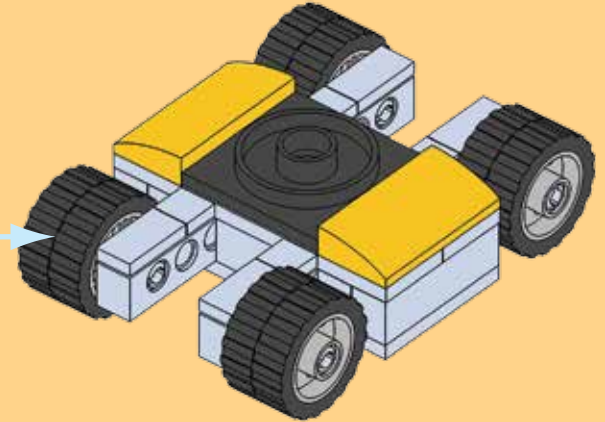
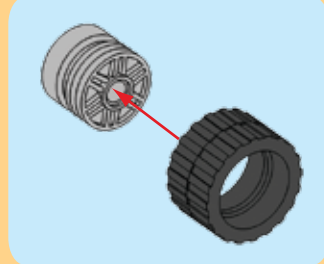
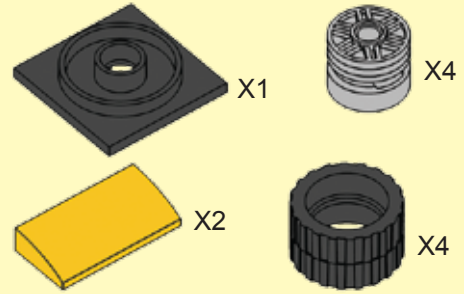
31



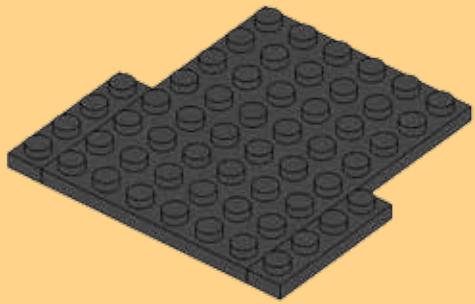
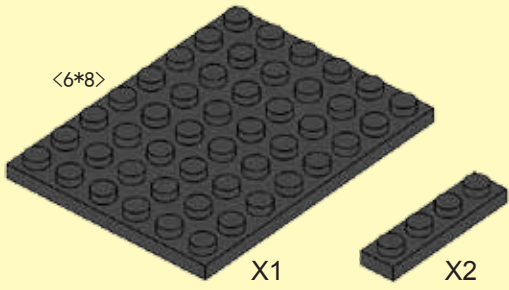
35



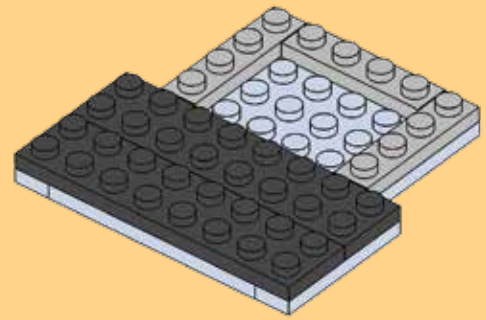
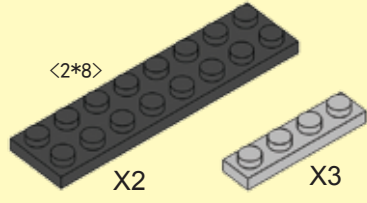
36

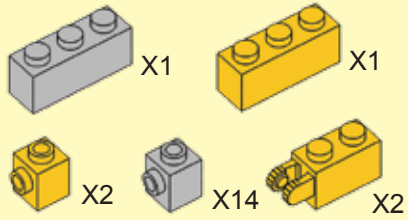


37

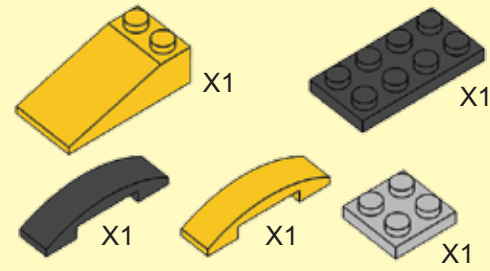
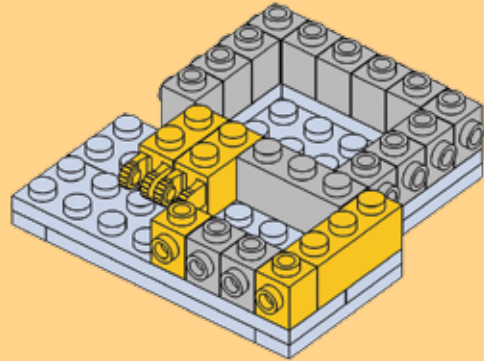


38

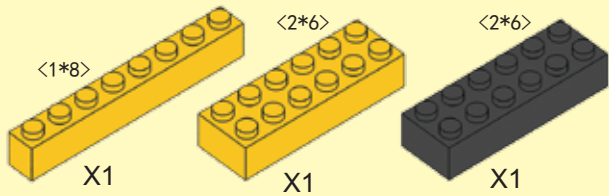
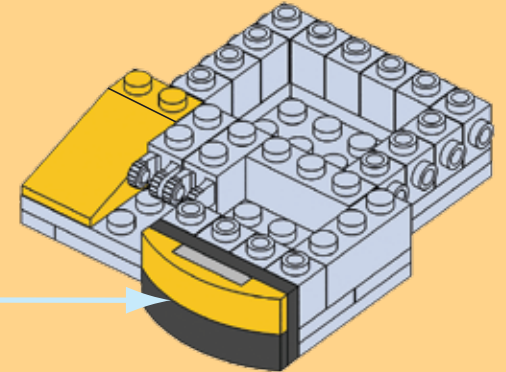
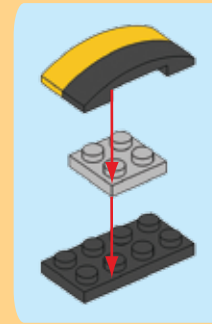




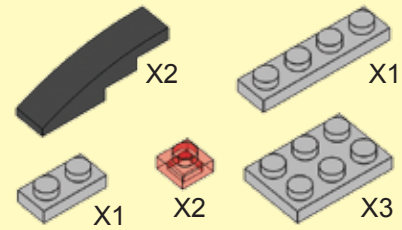
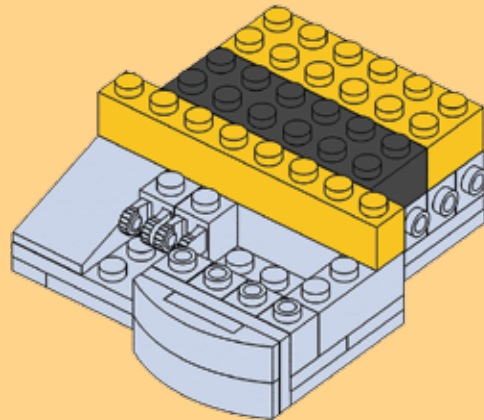
39



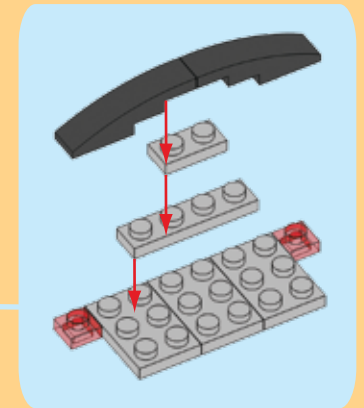
40

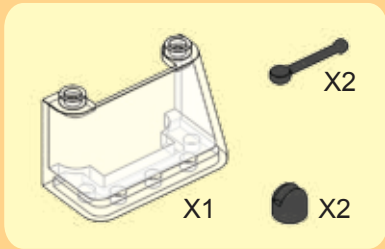


41

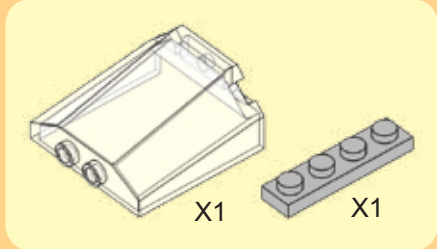


42

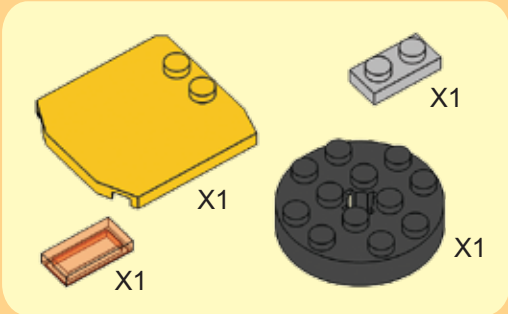
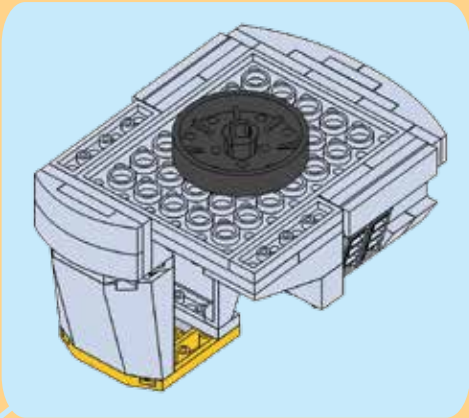
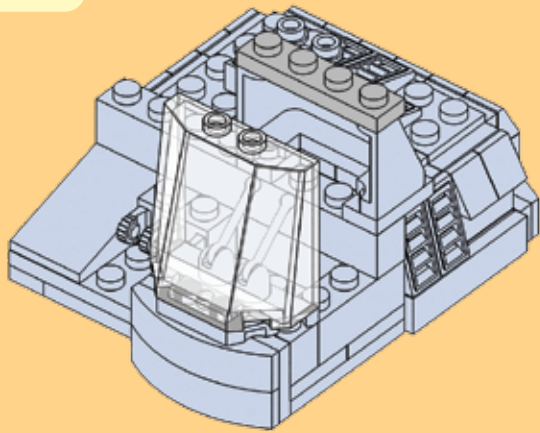
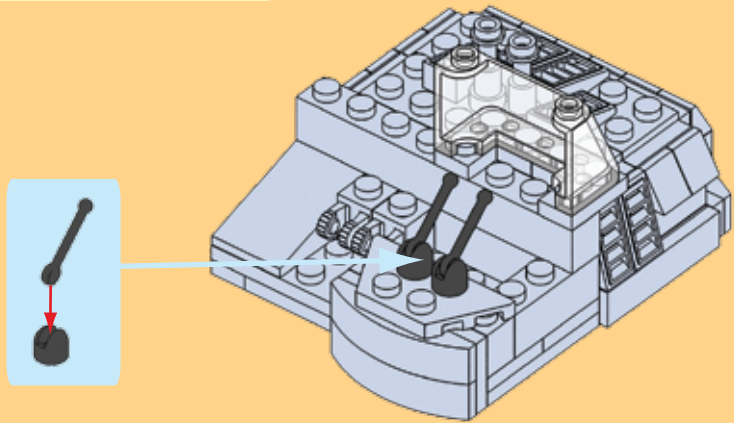




47

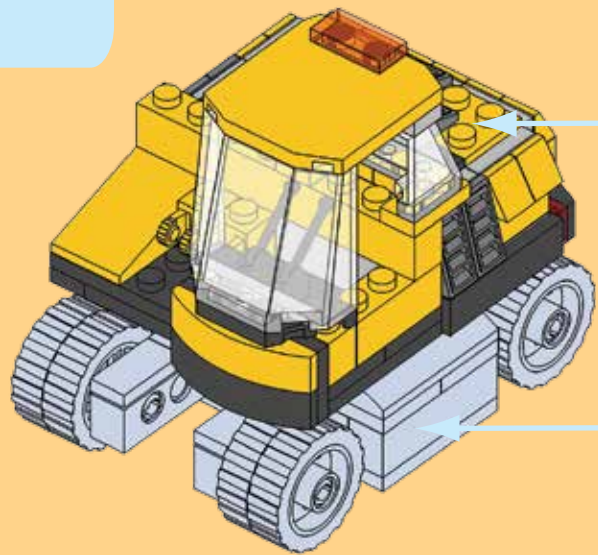
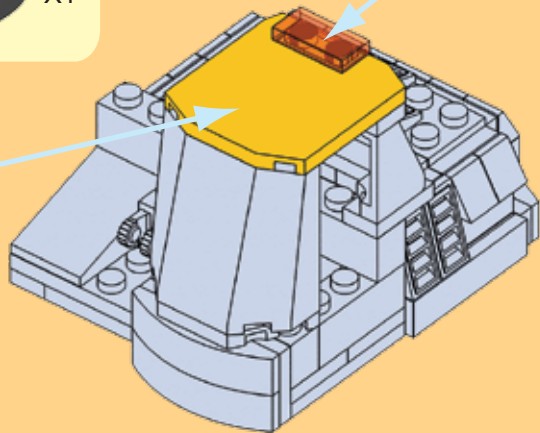
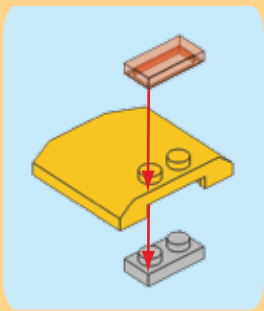


48



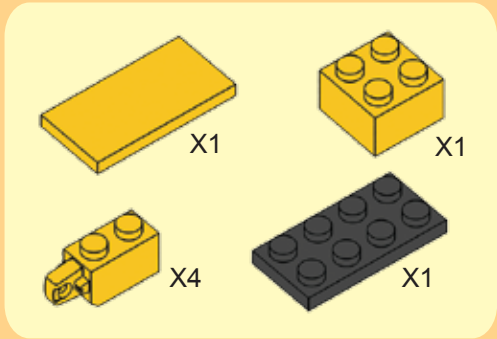
49

50

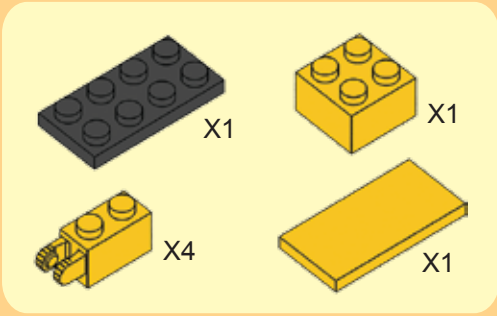


49

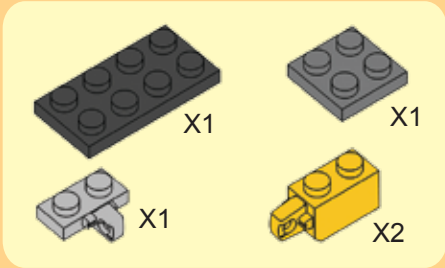
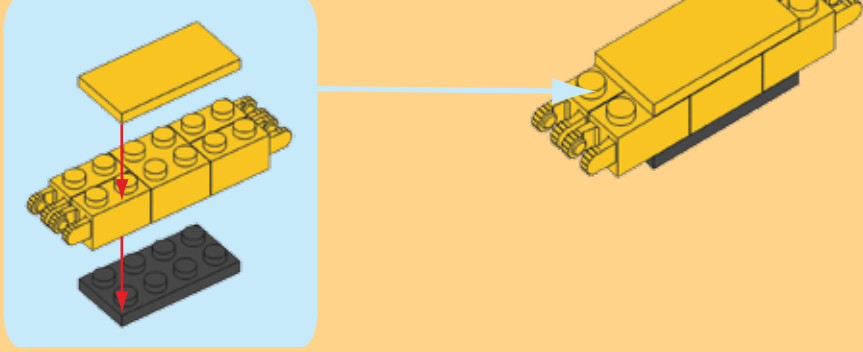
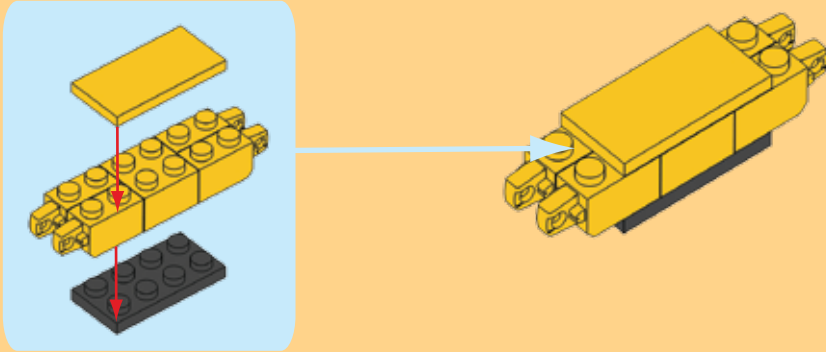
36



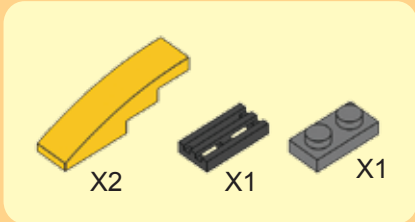
51



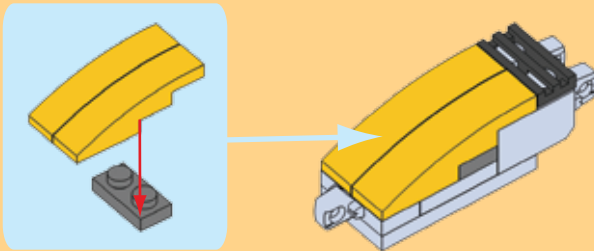
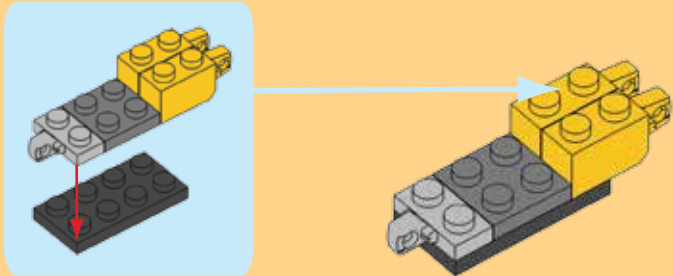
52



53

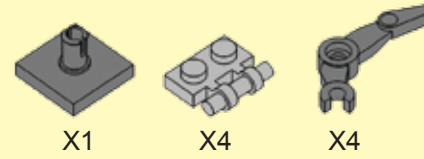


54

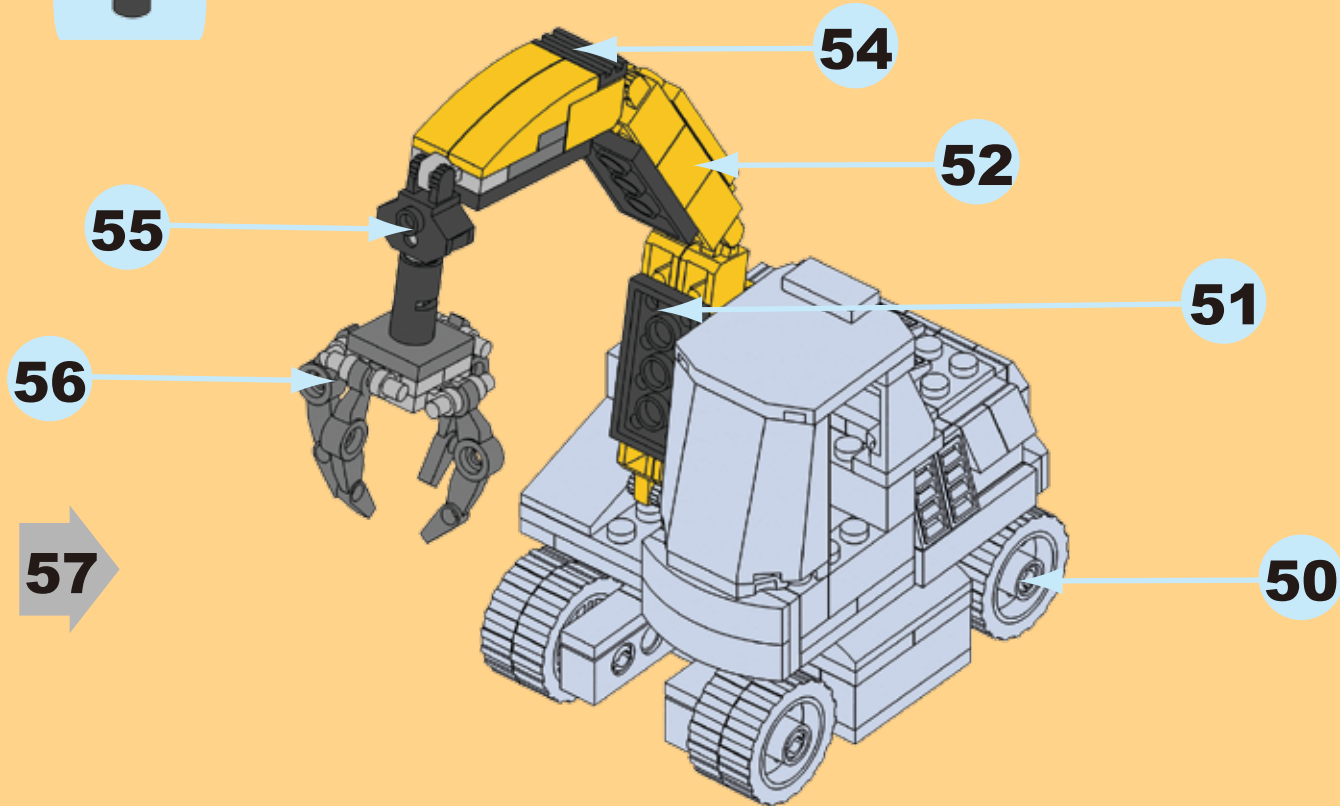
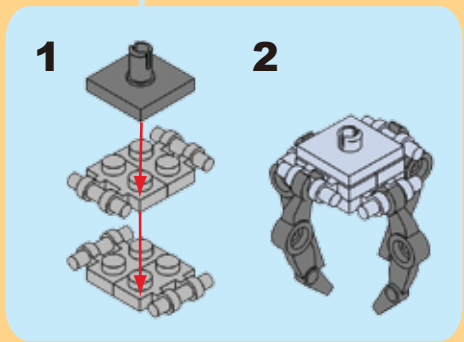
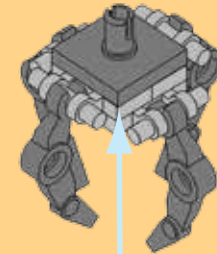
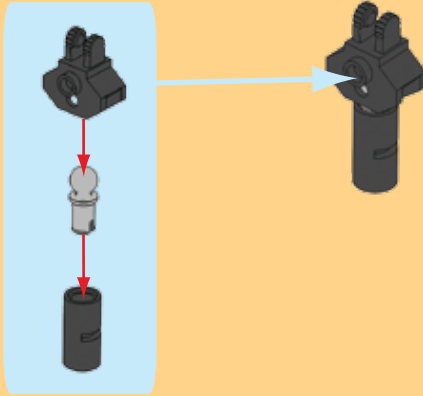


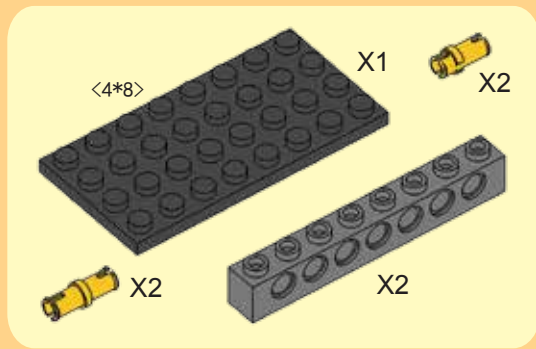


55

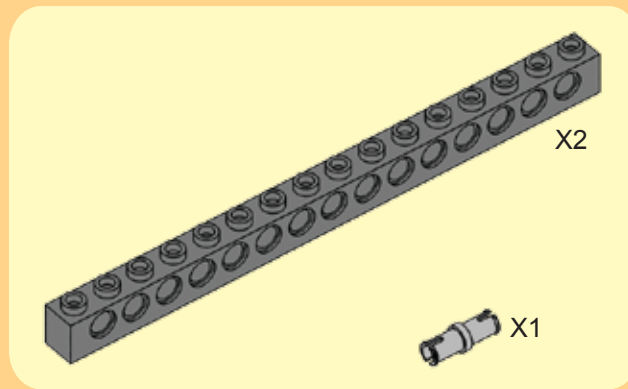


56





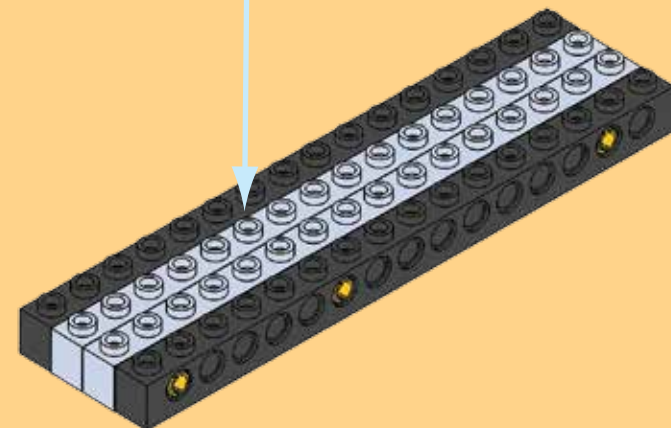
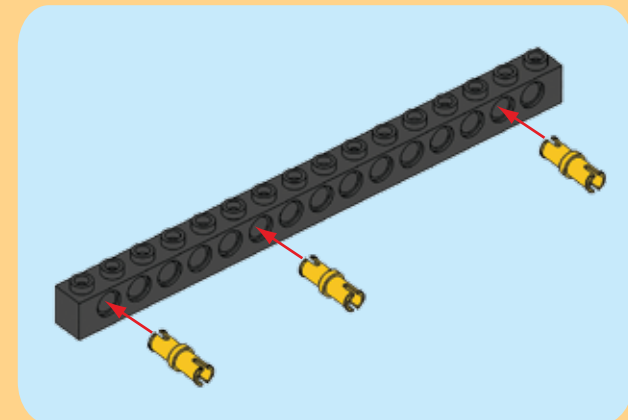
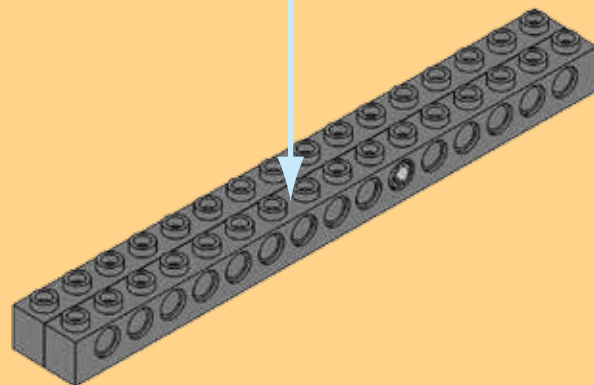
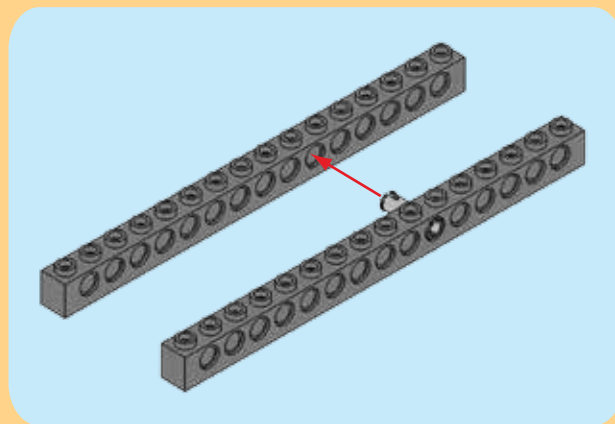
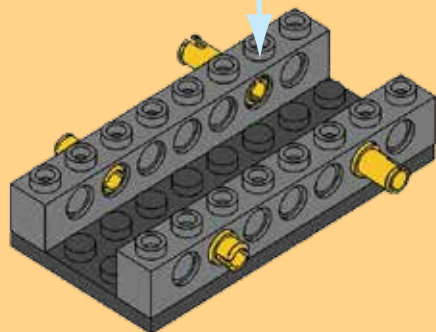
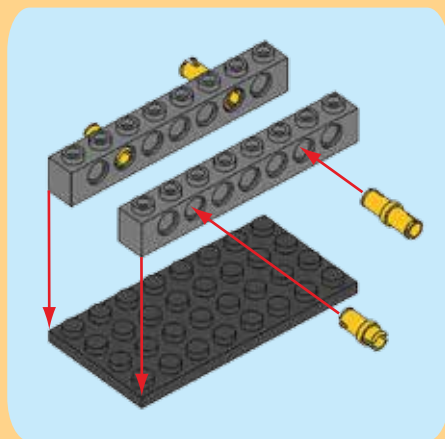
58

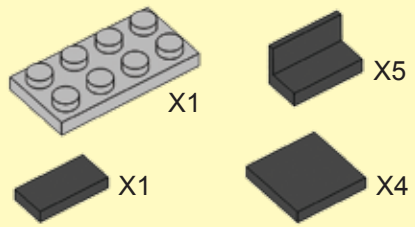


59

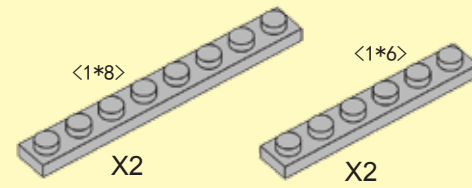
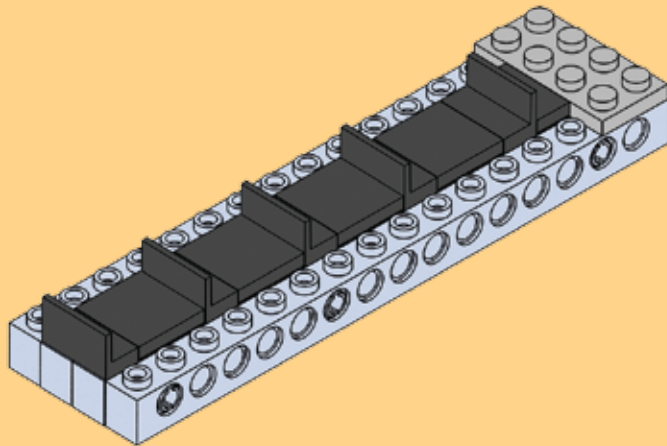


60

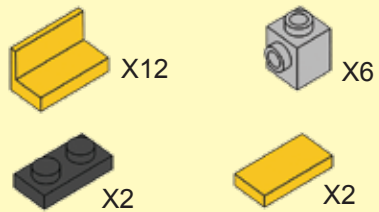
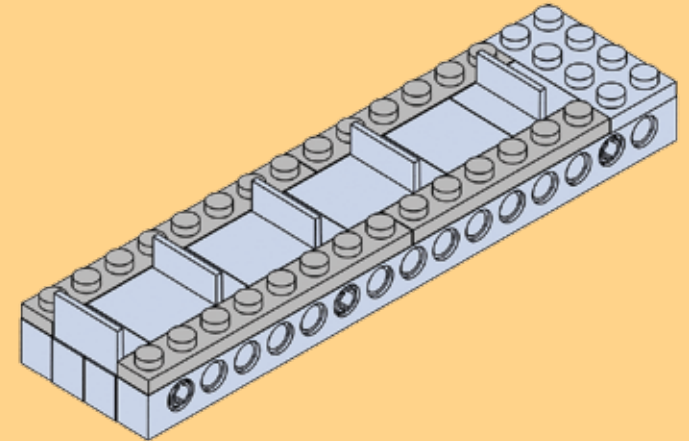




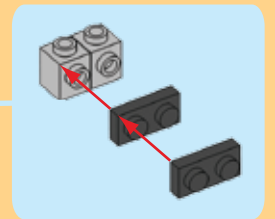
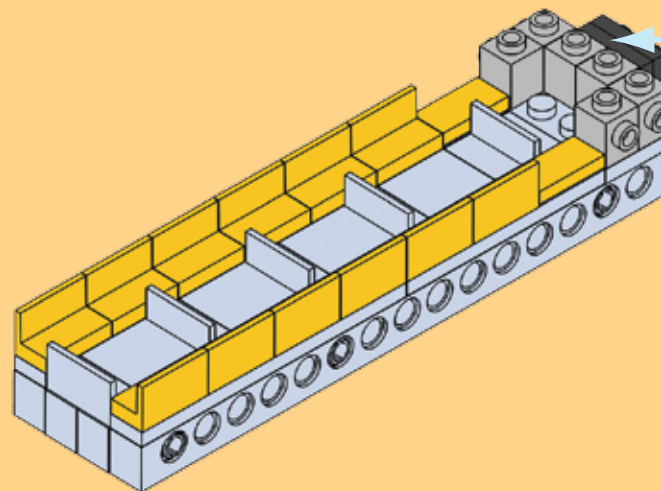
61

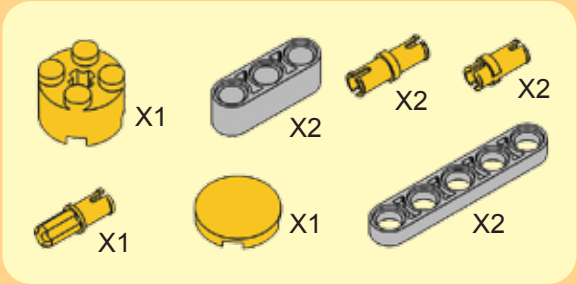


62

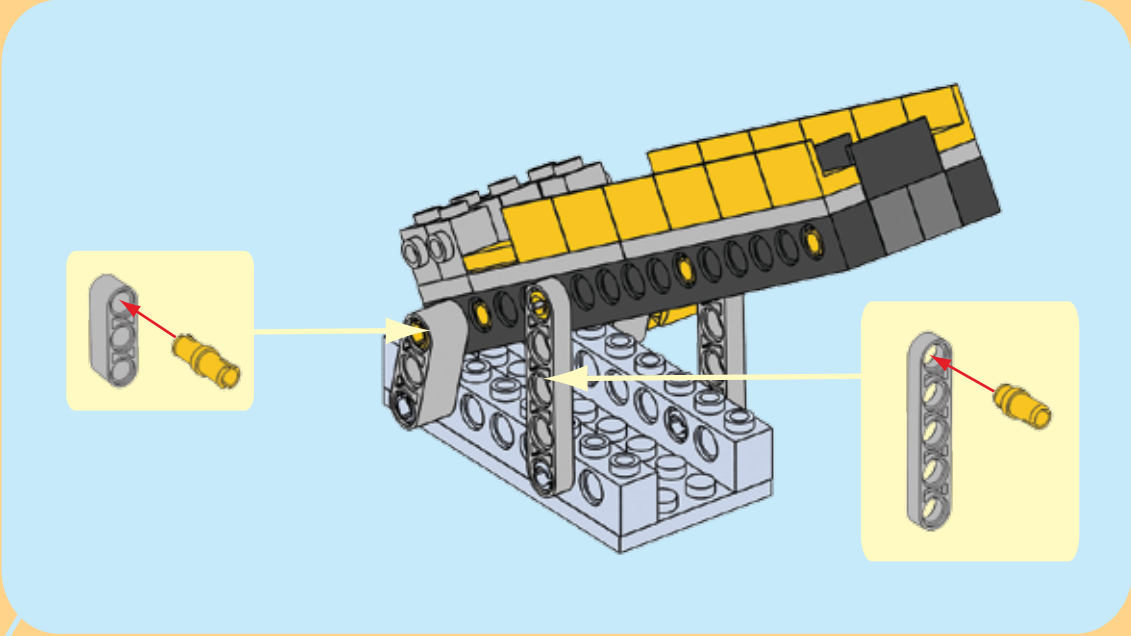


63



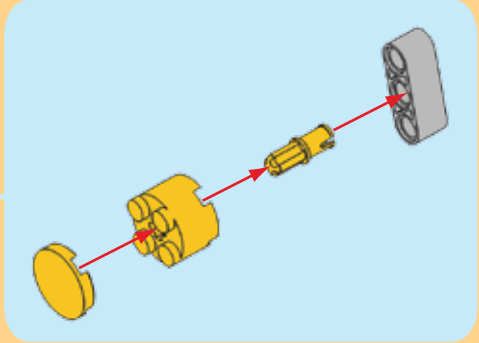
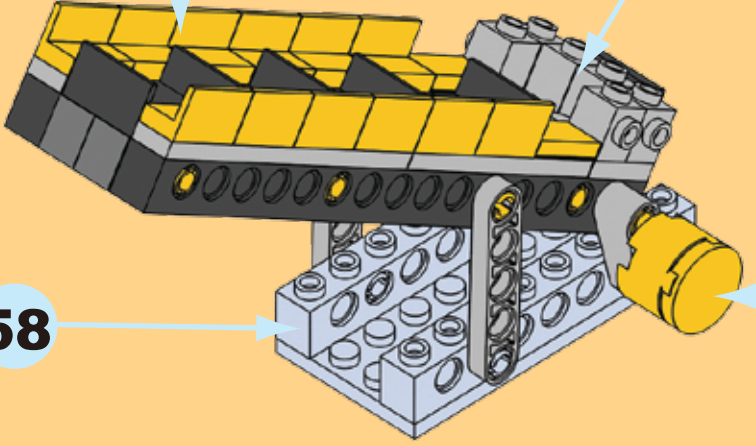


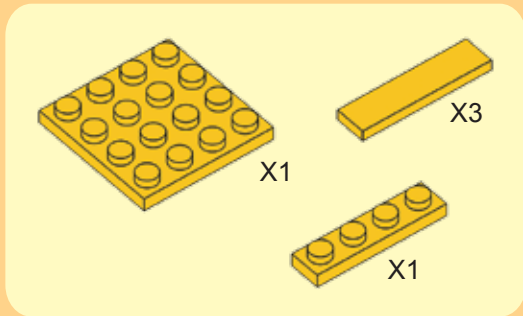
64



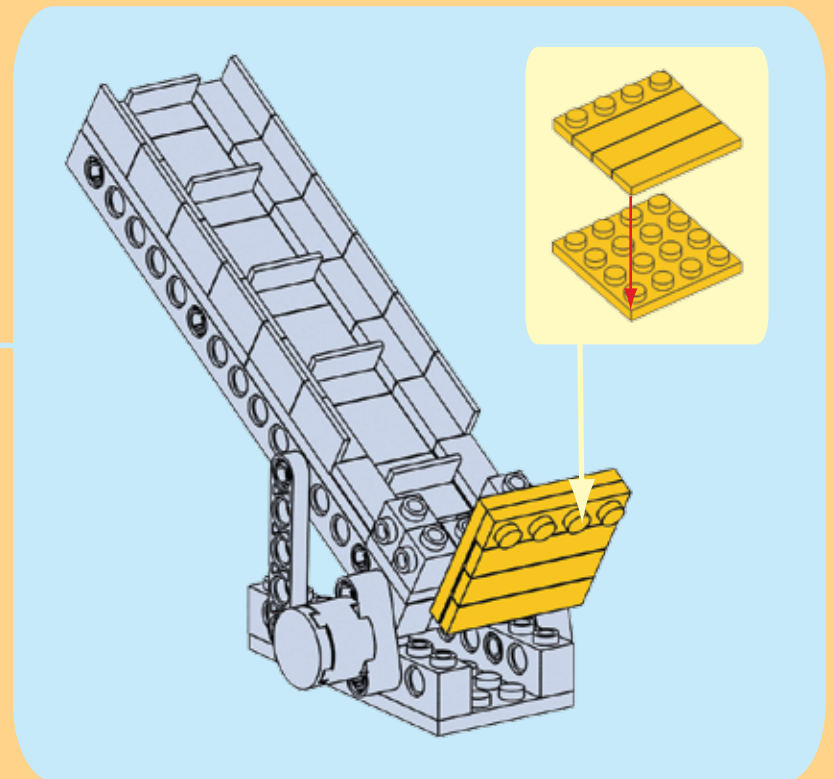
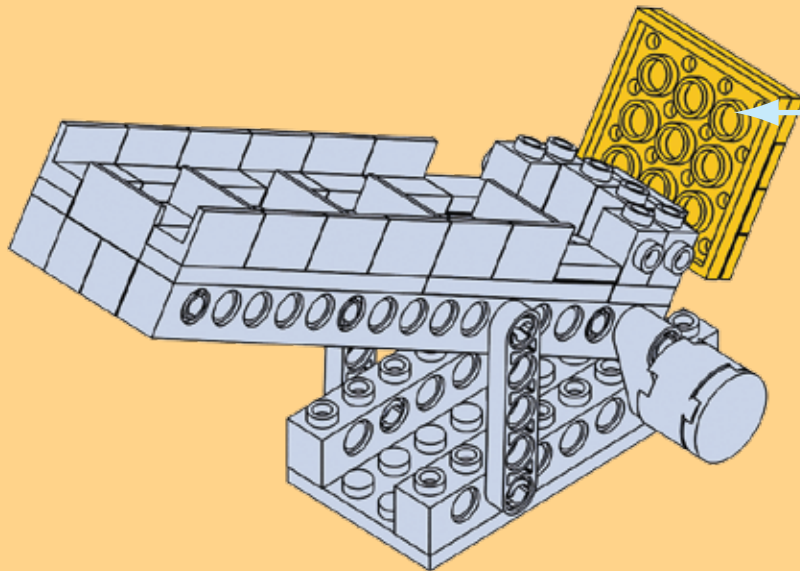
63

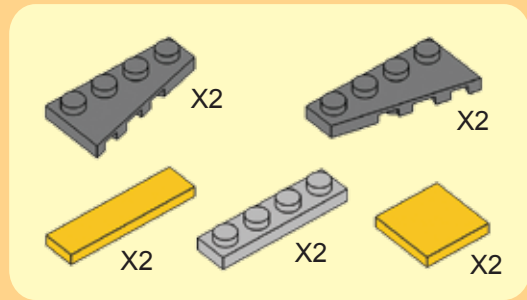
58



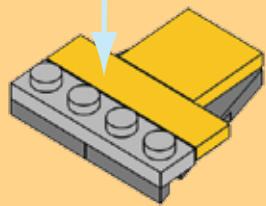
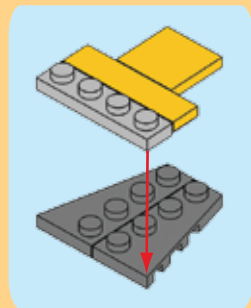


65

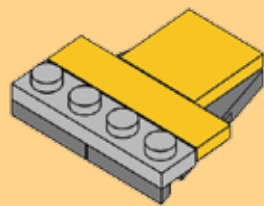




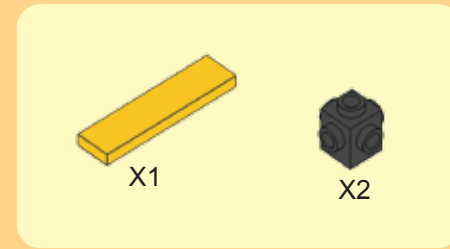
66



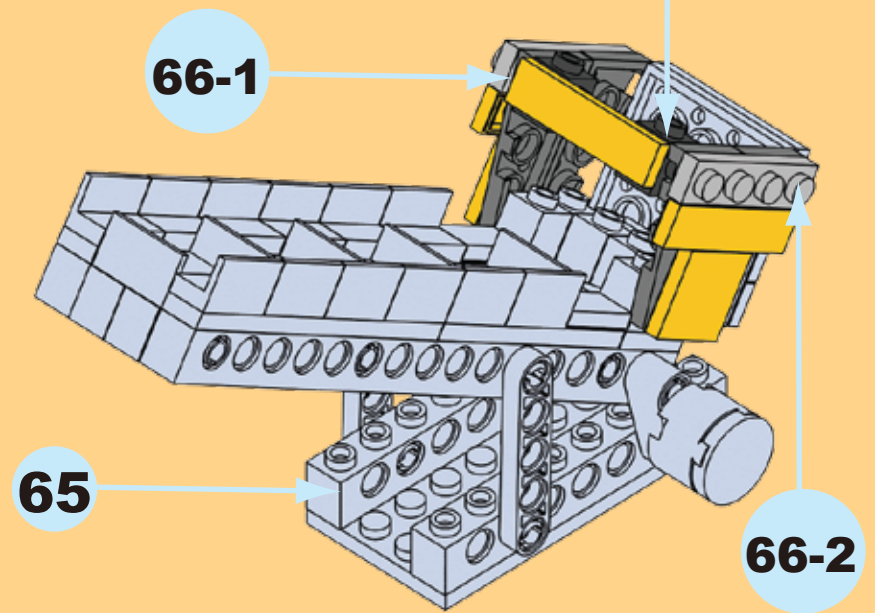
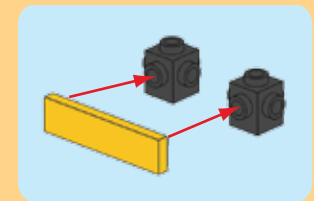
1



2



67



CONSTRUCTION

ENGINEERING

NO.29801



6+ AGES

CONSTRUCTION

ENGINEERING

