



TACTICAL ESPIONAGE ACTION
COMBAT ZONE
F I R E

1721

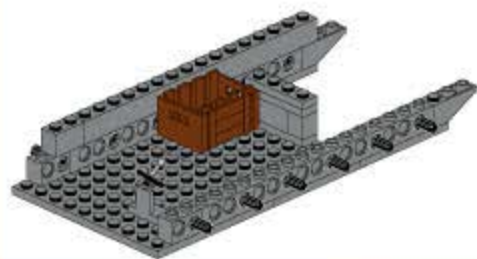
Ages: 6+

Minifigs: X5

pcs: 482

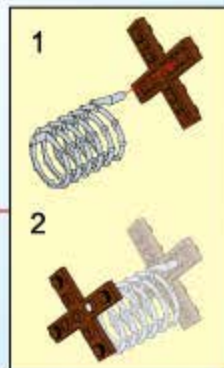
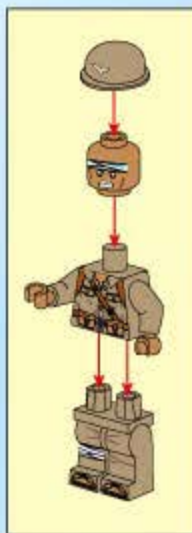
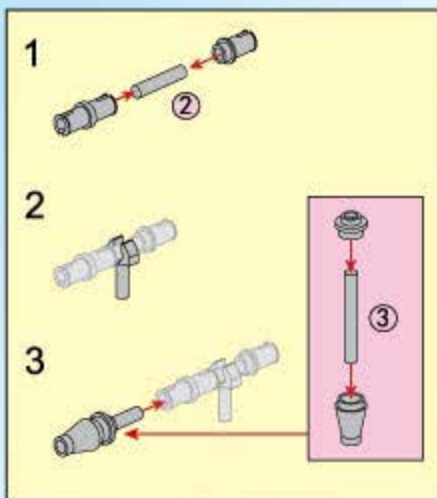
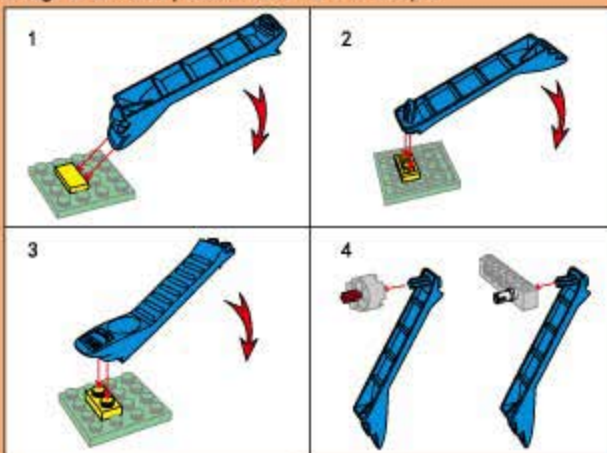


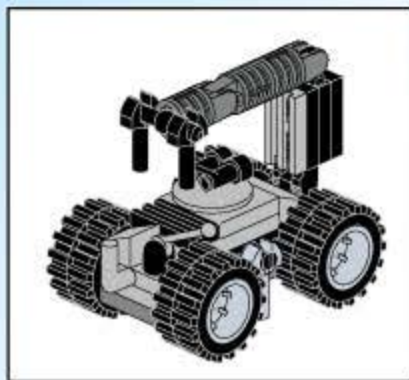
OVERLORD IS ON ITS WAY



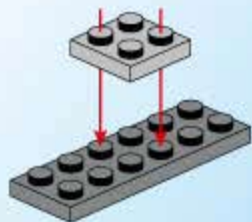
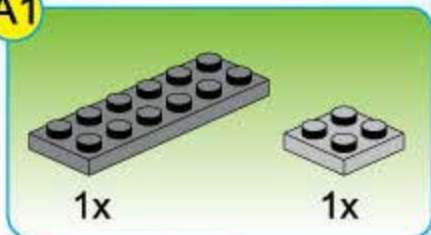
拆件器使用方法, 仅为示例

Usage of Brick Separator, Just for the sample

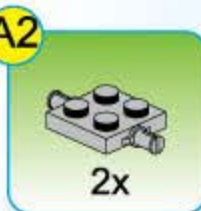




A1



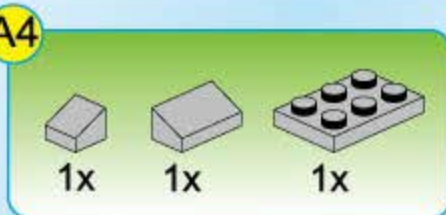
A2



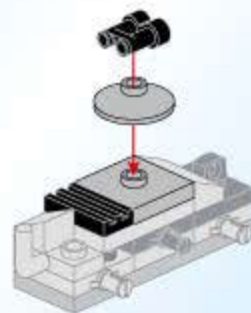
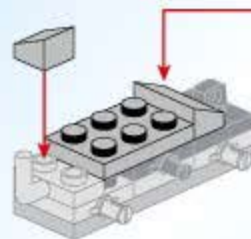
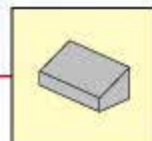
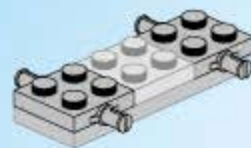
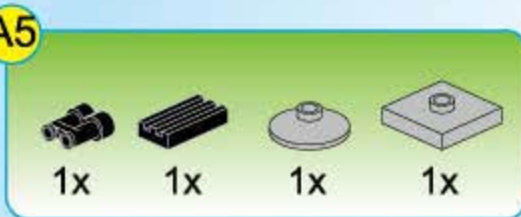
A3

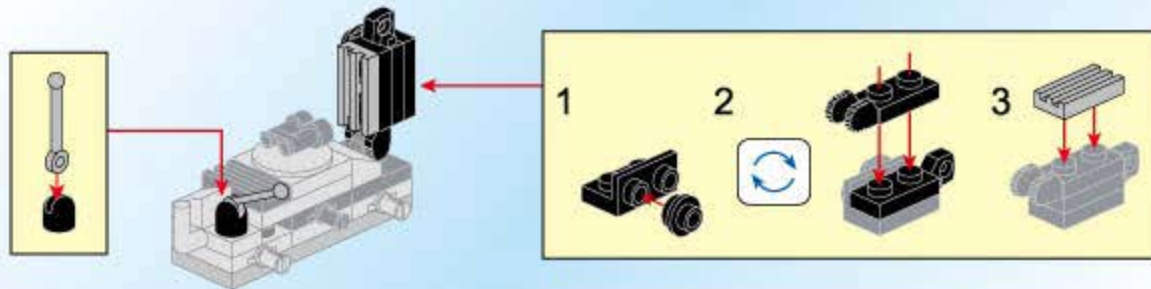
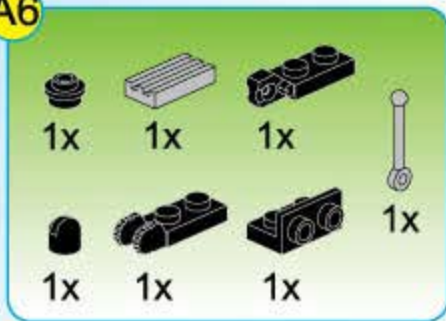
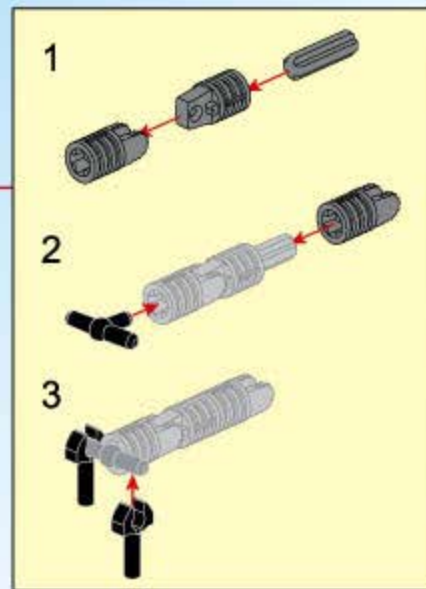
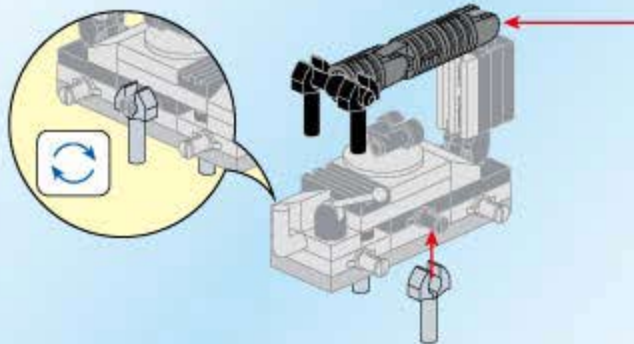
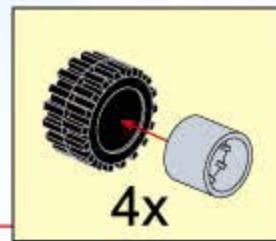
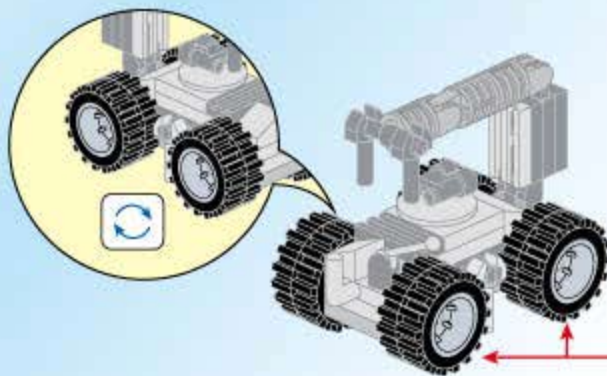


A4



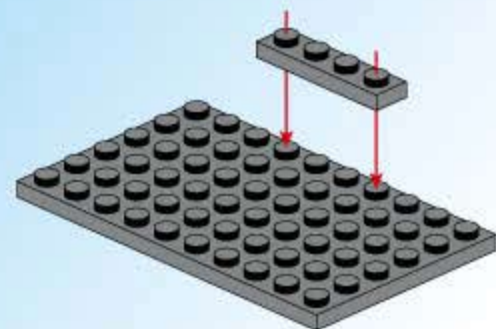
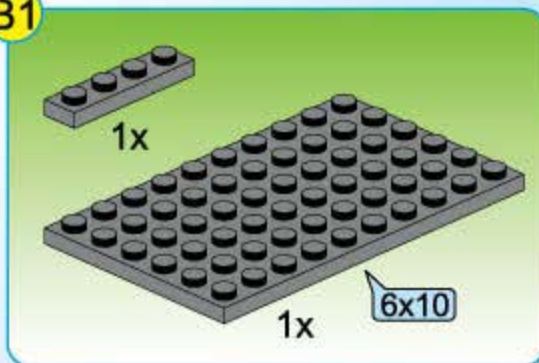
A5



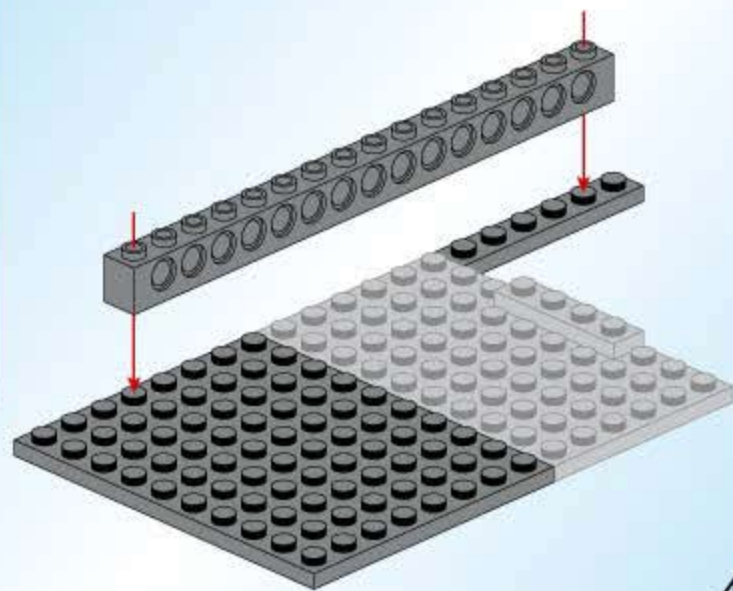
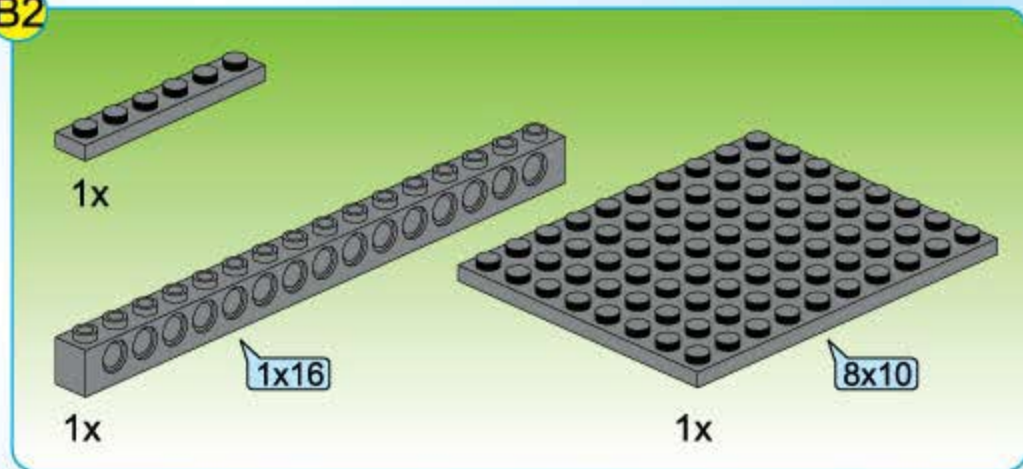
A6**A7****A8**

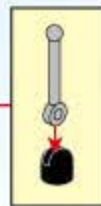
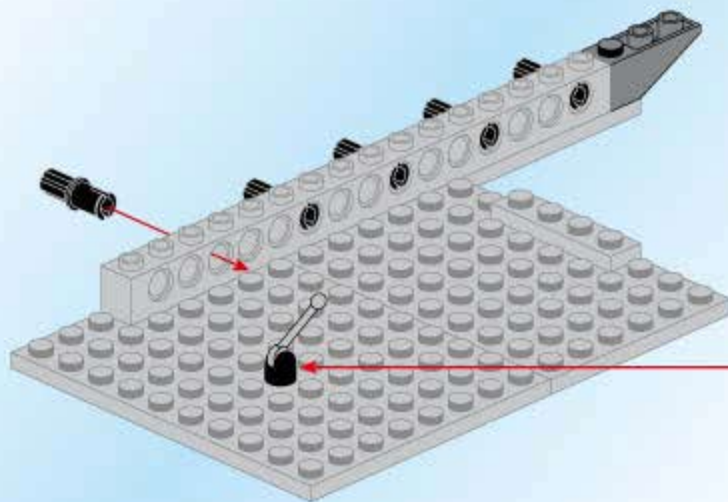
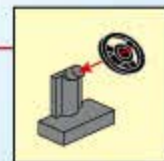
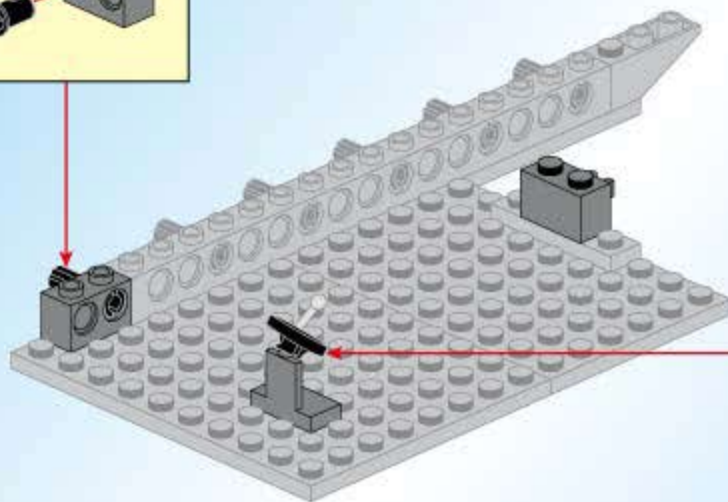
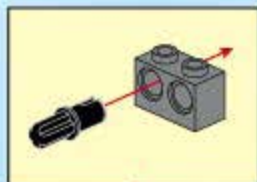
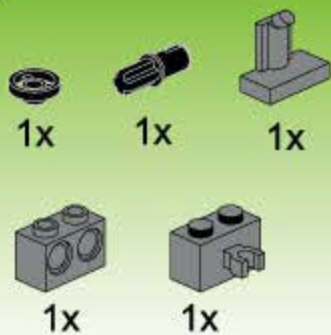


B1

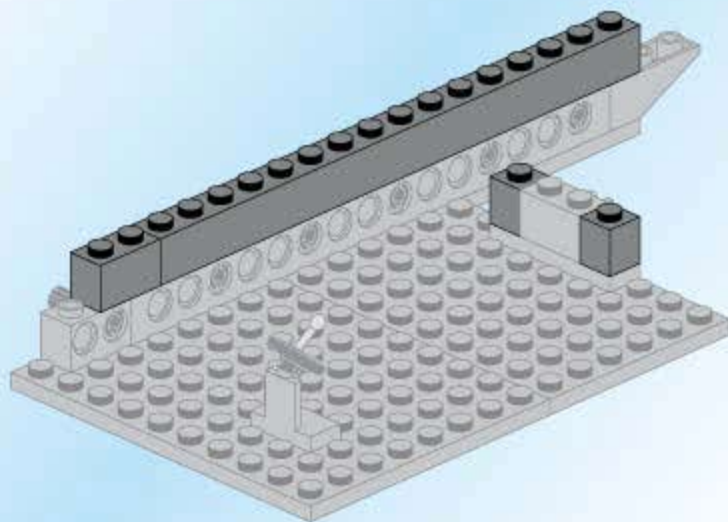
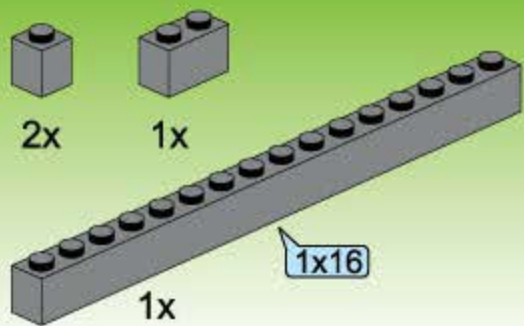


B2

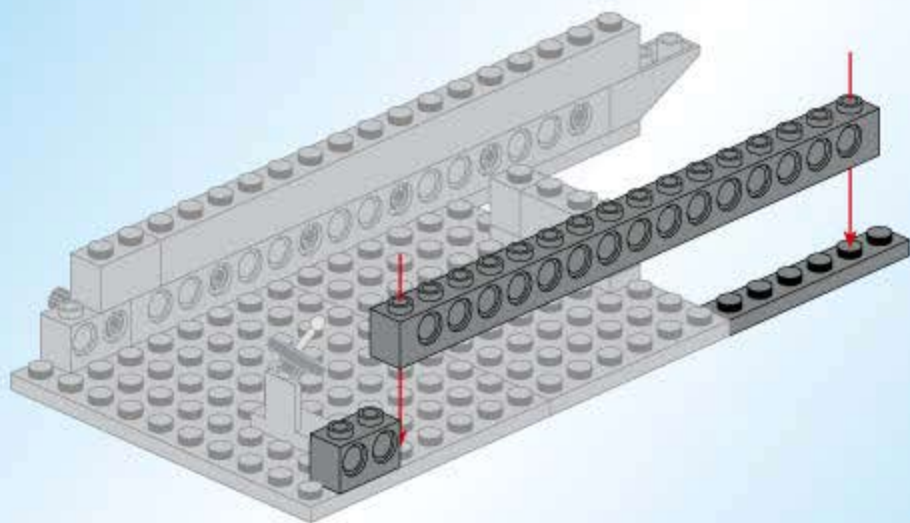
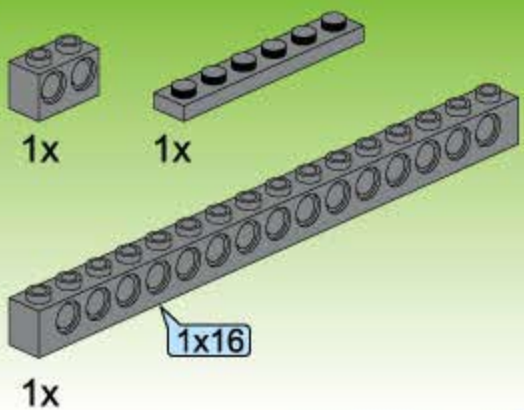


B3**B4**

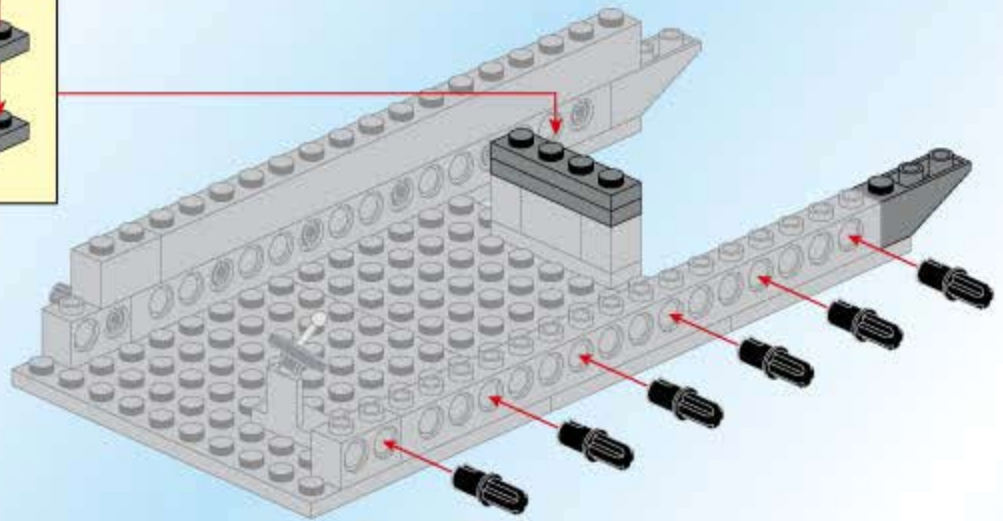
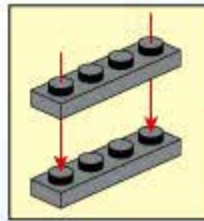
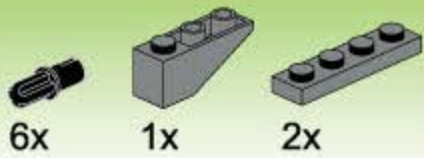
B5



B6



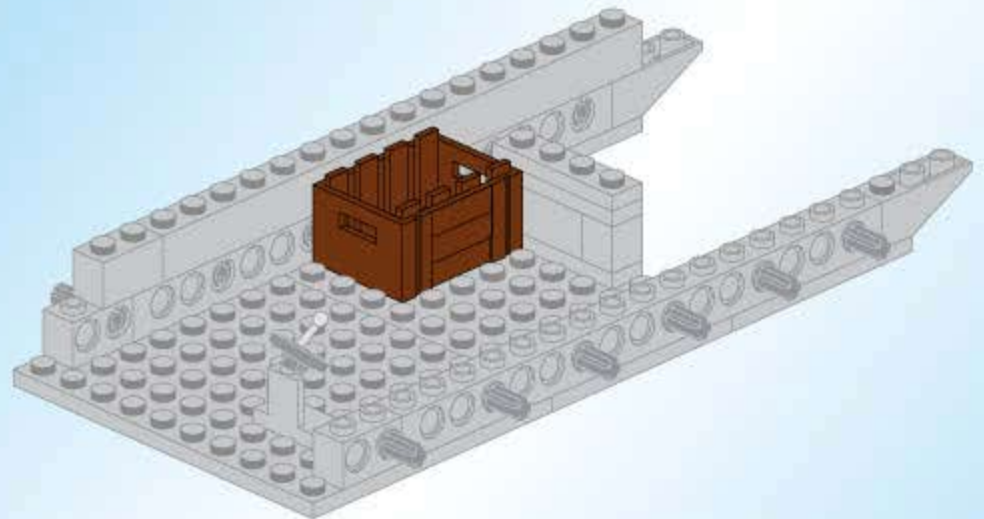
B7



B8

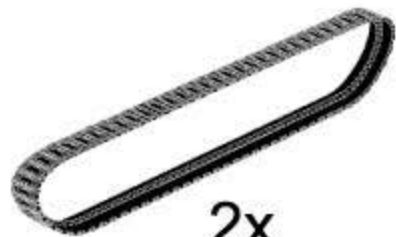


1x

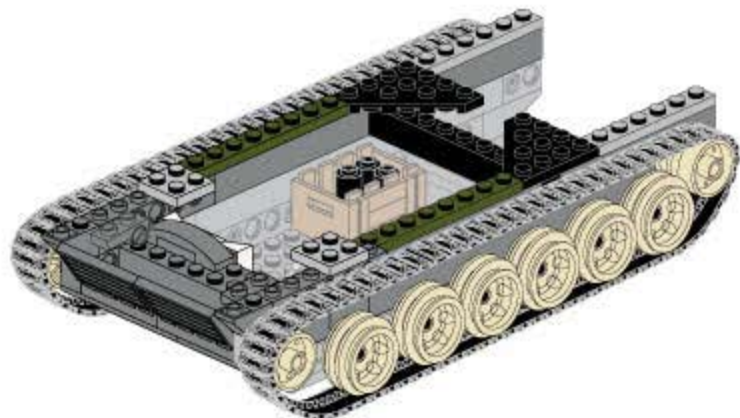




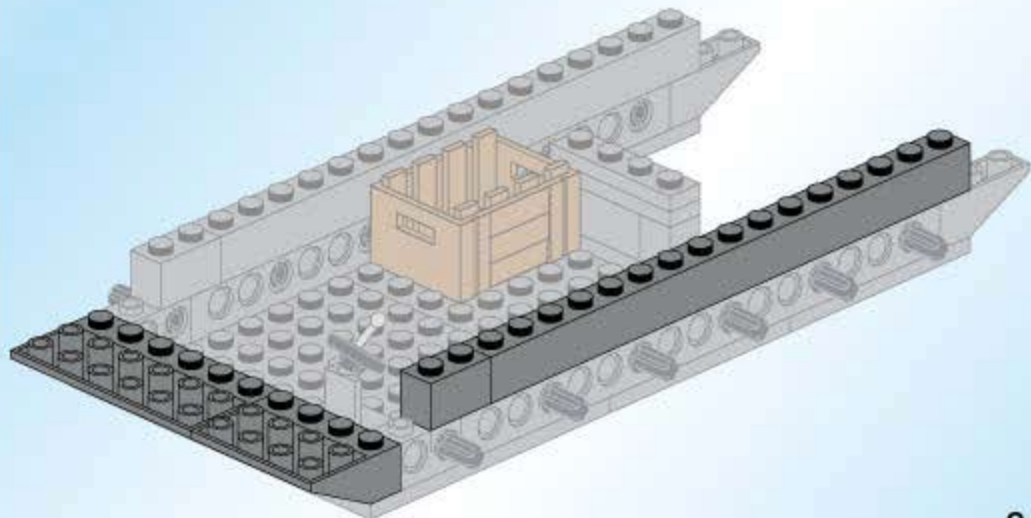
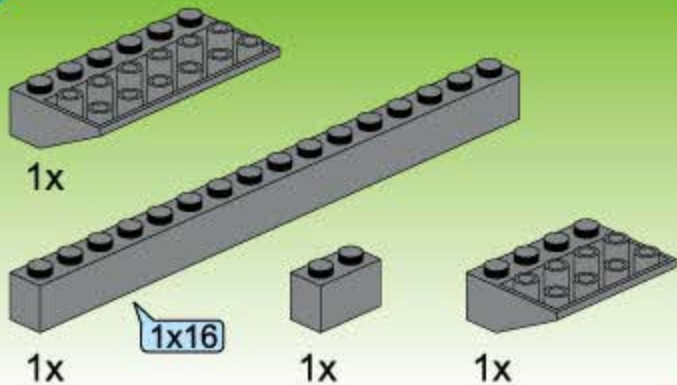
+



=



B9



B10



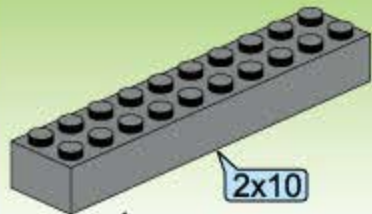
2x



3x

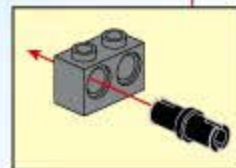
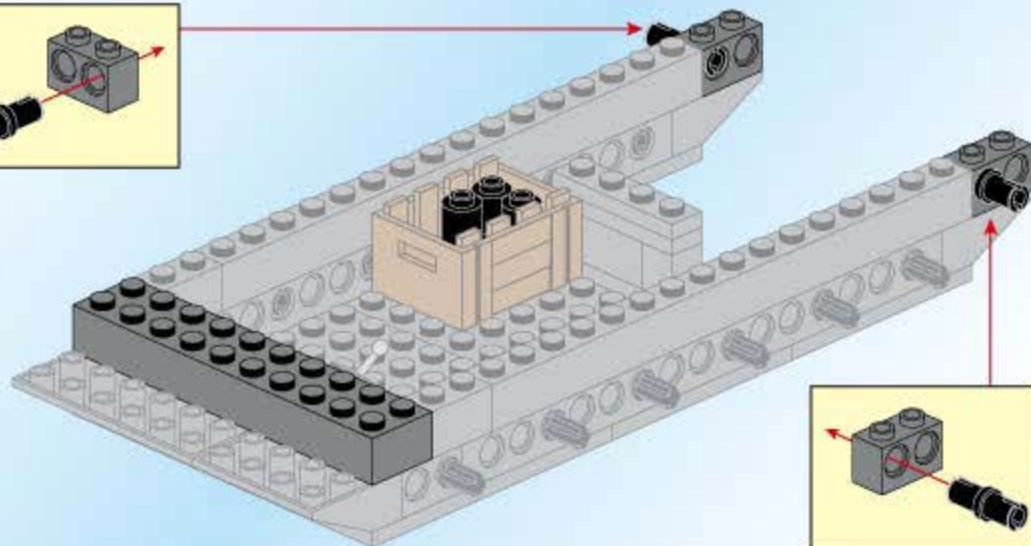
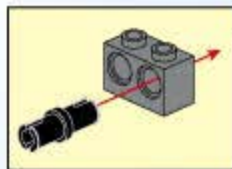


2x



2x10

1x



B11



1x



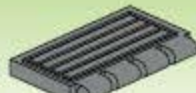
1x



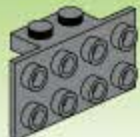
2x



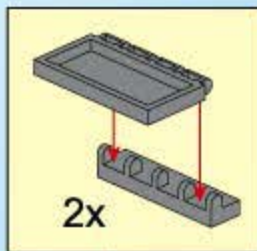
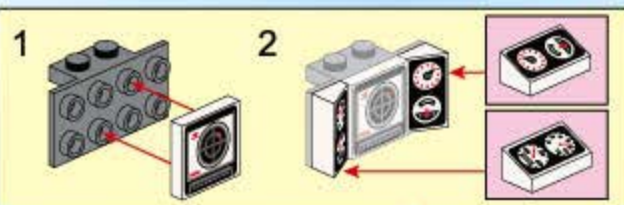
1x



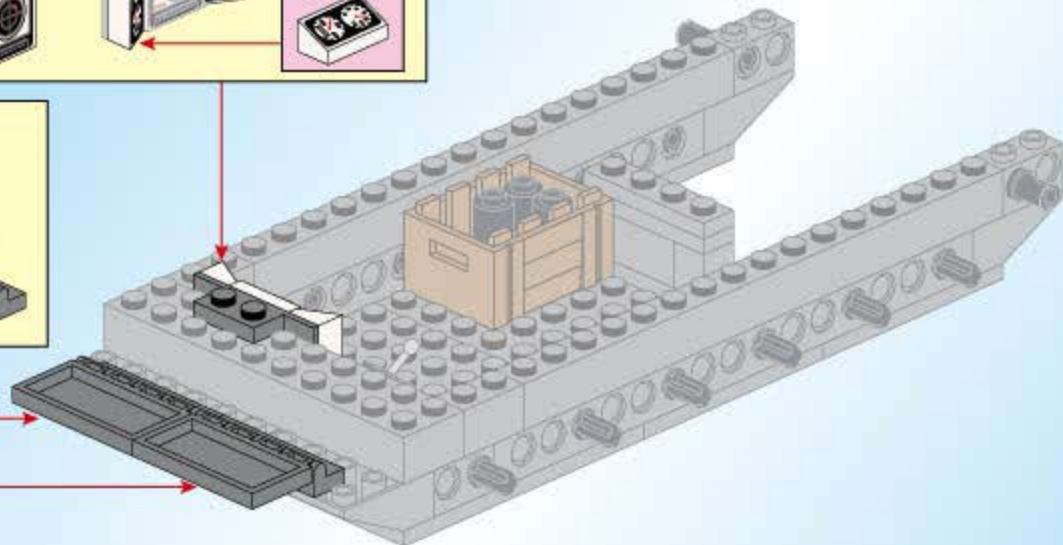
2x



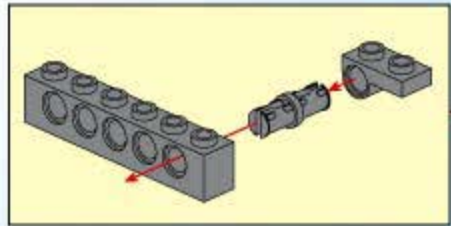
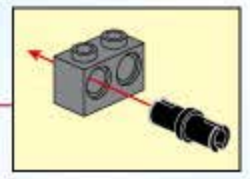
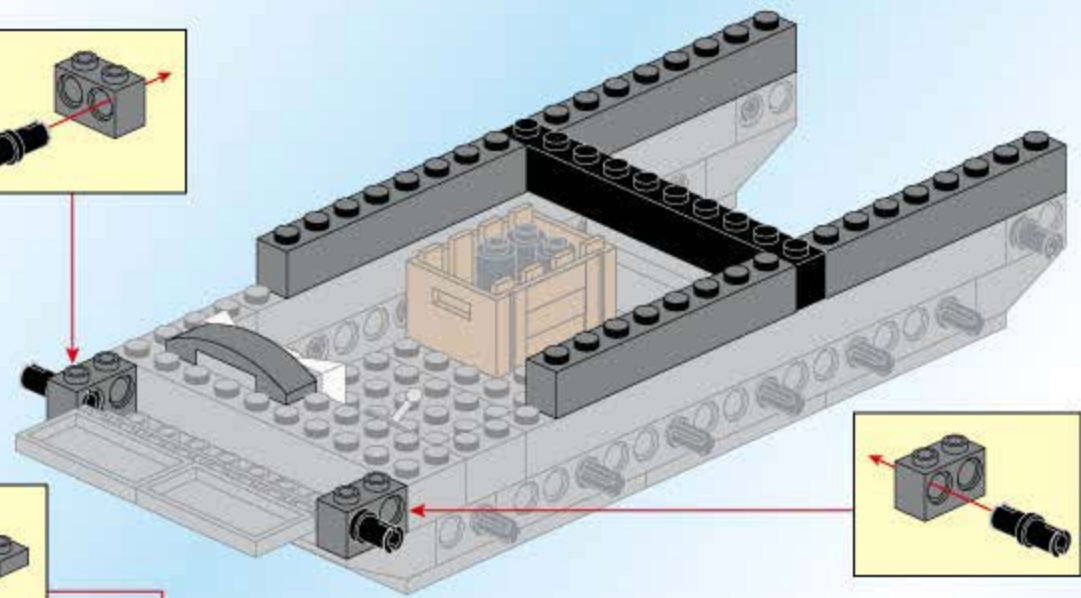
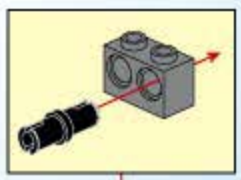
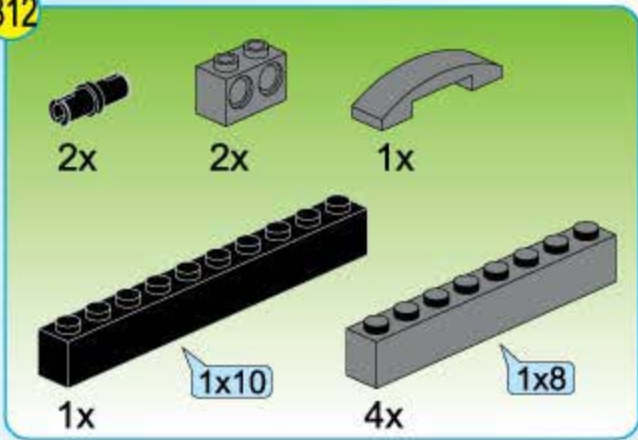
1x



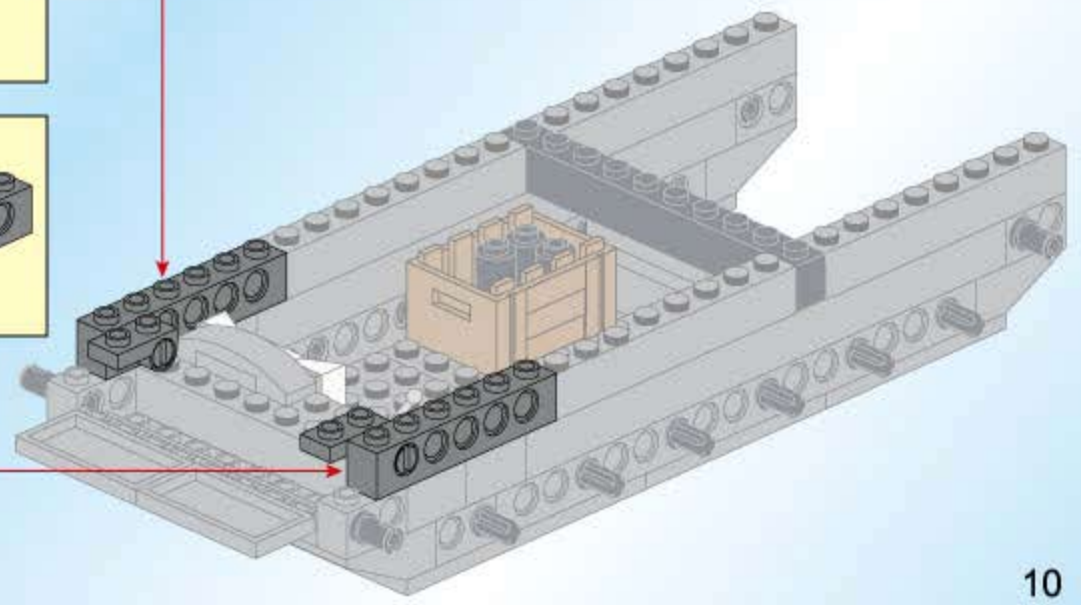
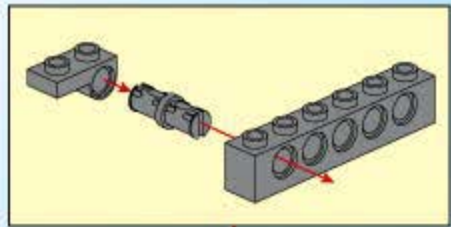
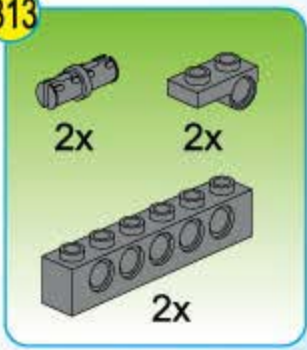
2x



B12



B13



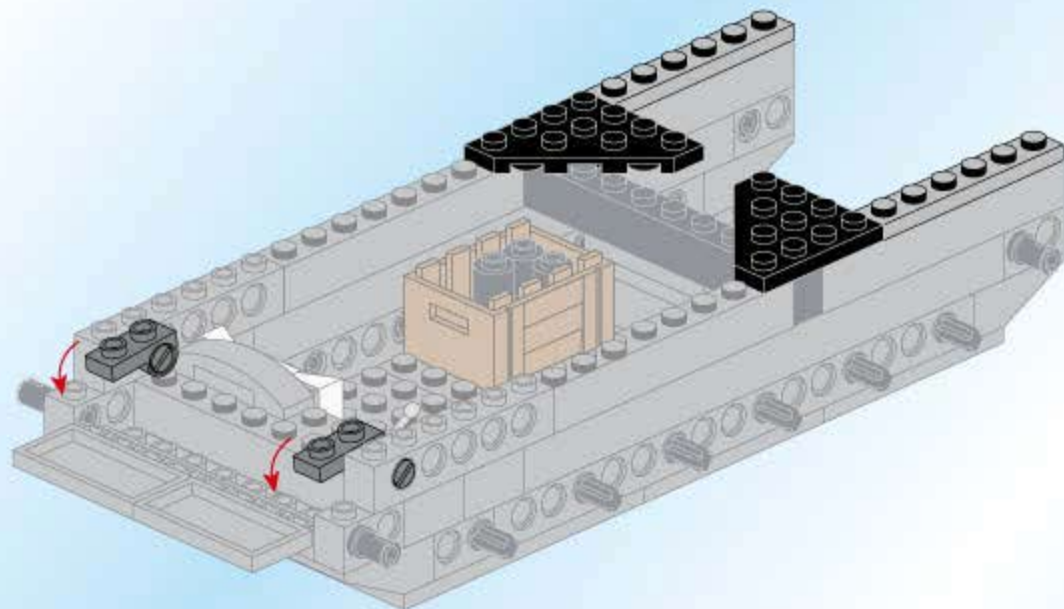
B14



2x



2x



B15



2x

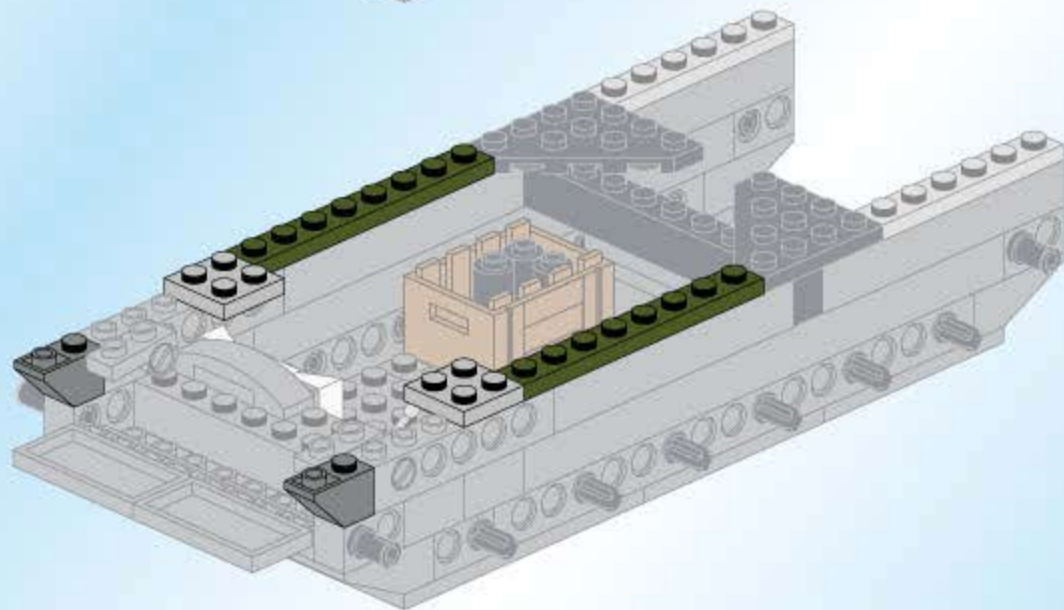


2x



2x

1x8



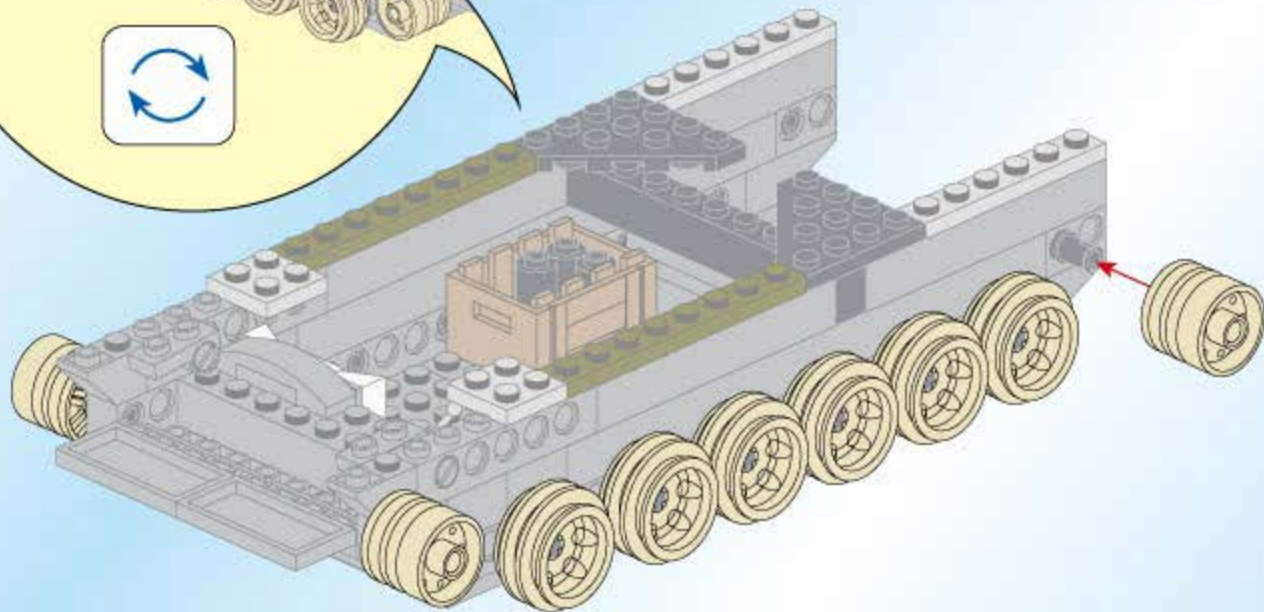
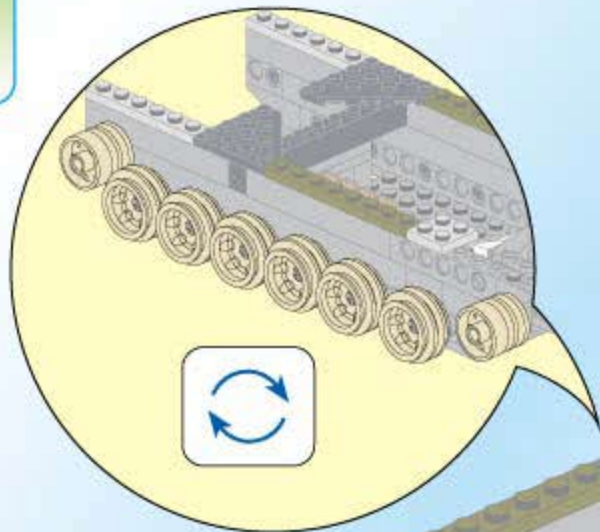
B16



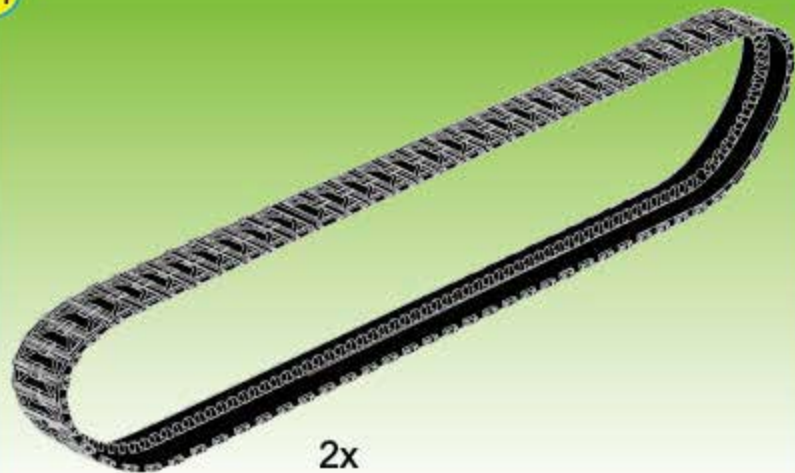
4x



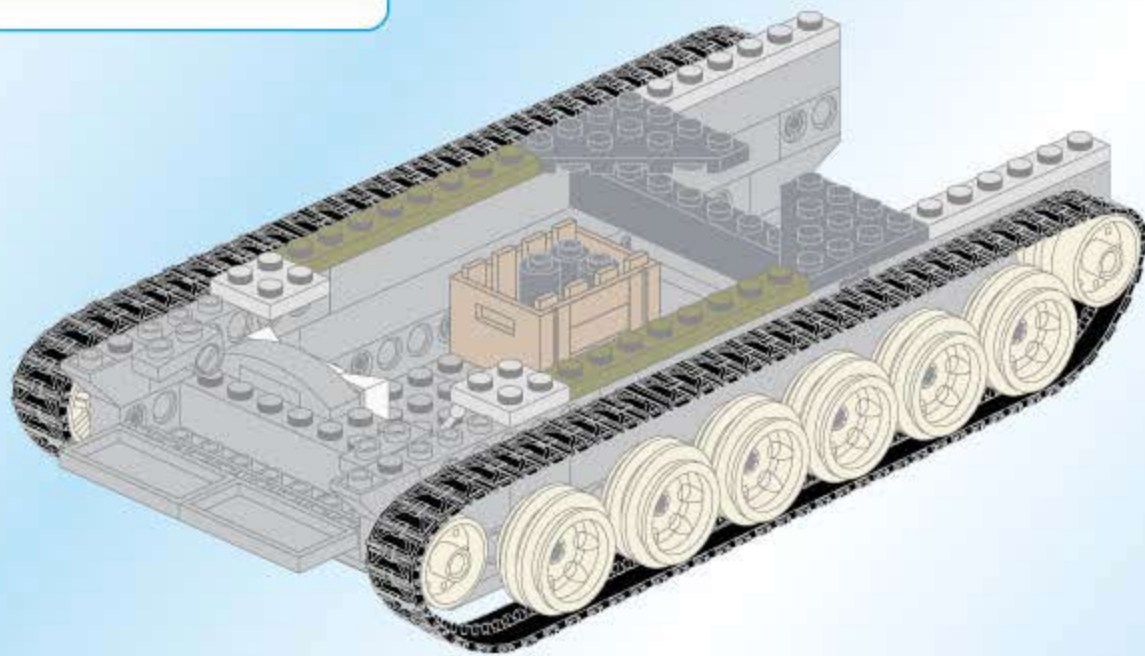
12x

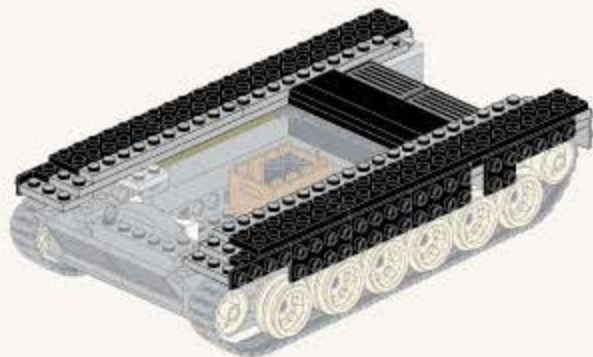


B17

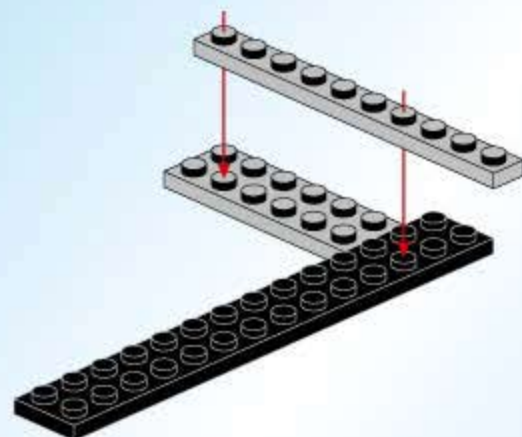
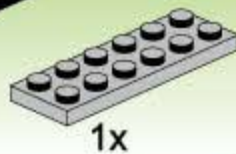
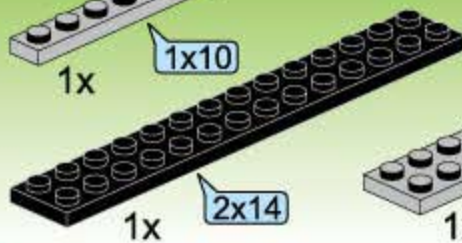
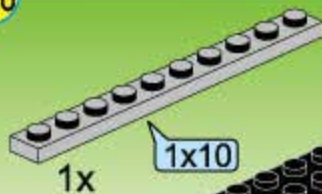


2x

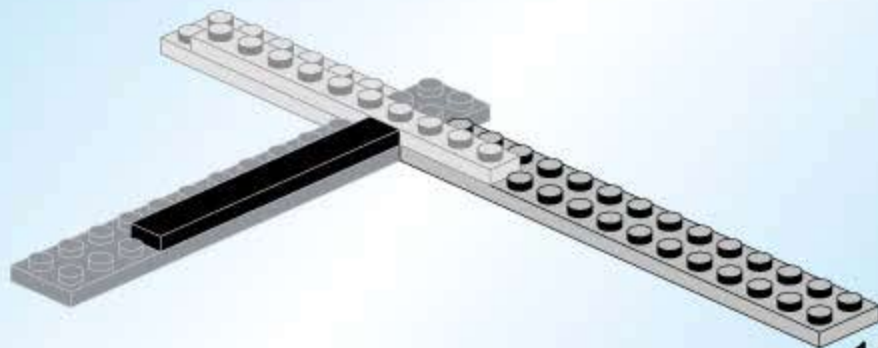
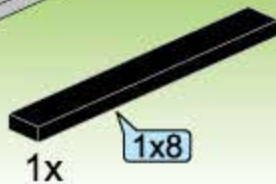
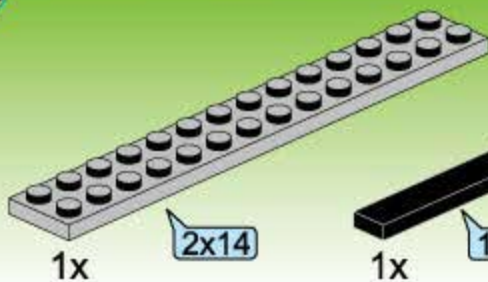




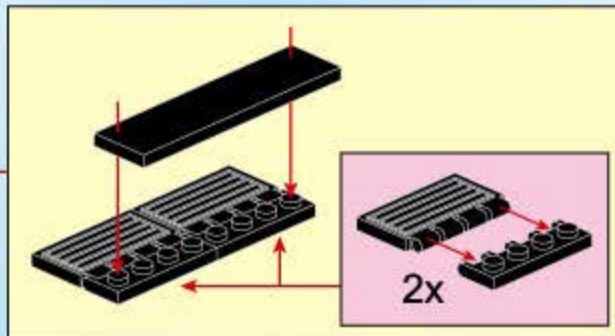
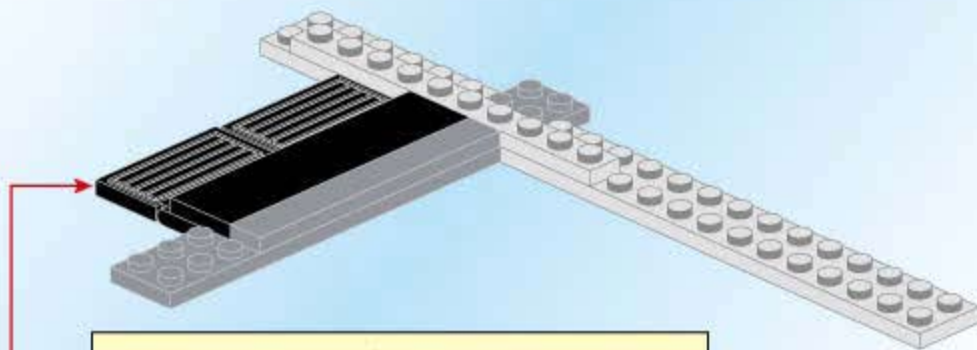
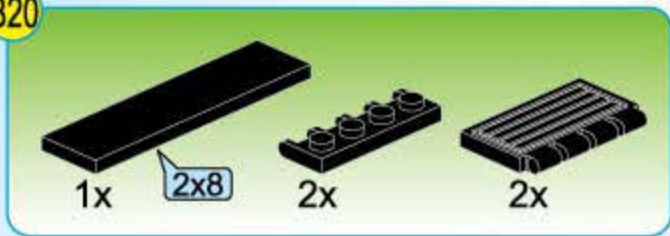
B18



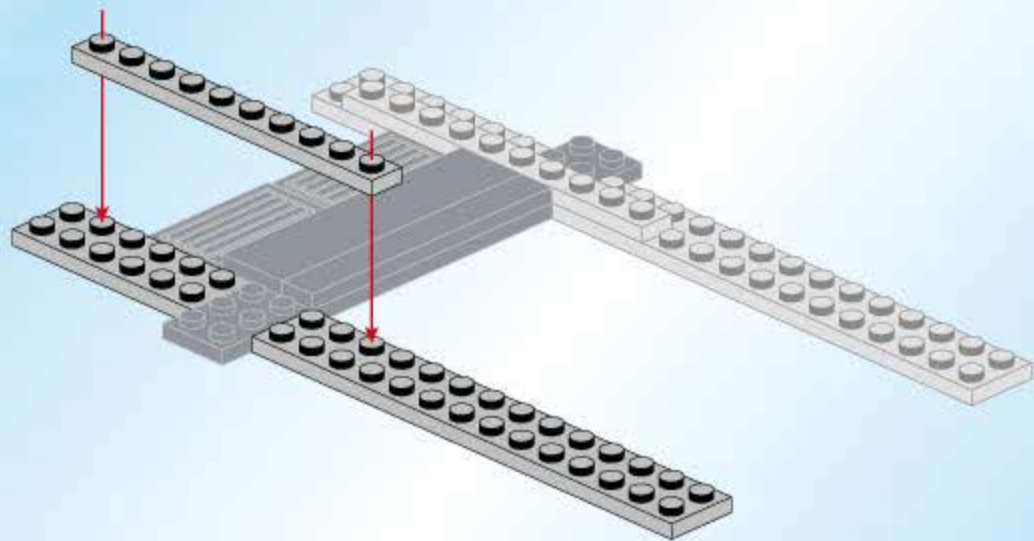
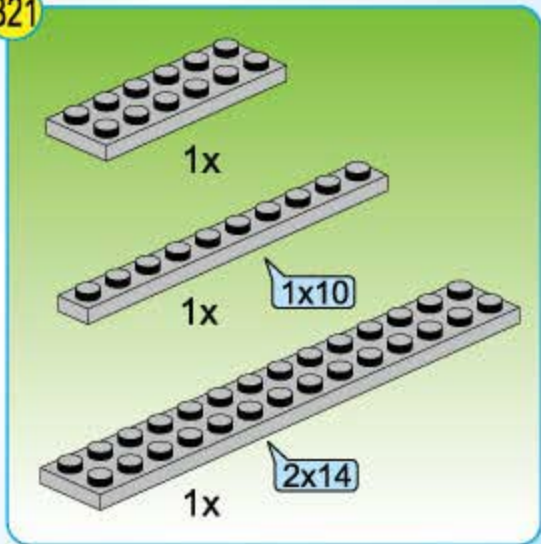
B19



B20



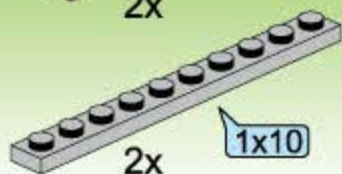
B21



B22

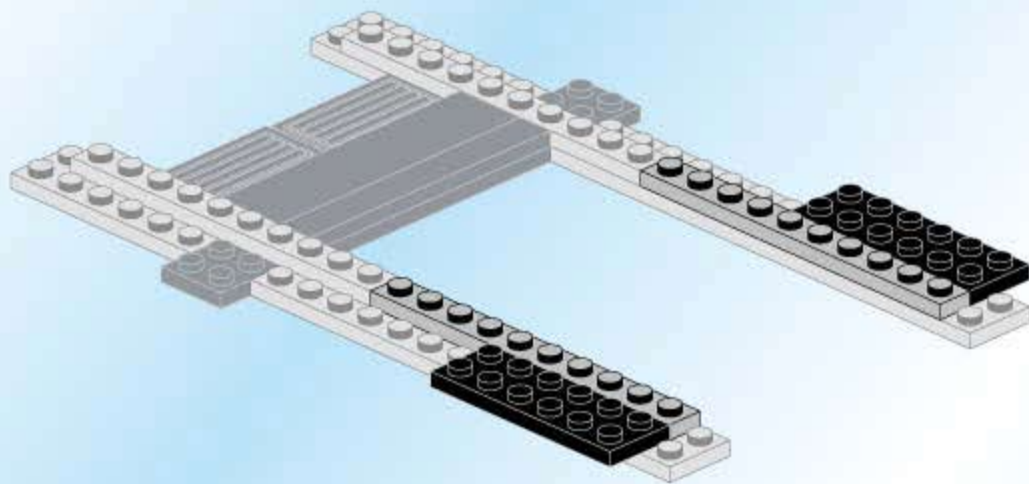


2x

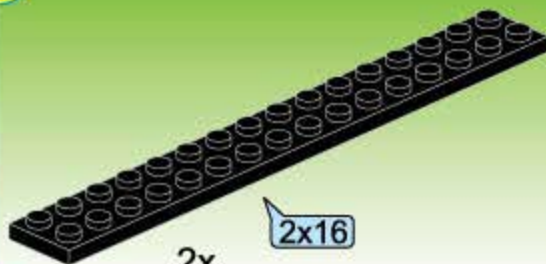


2x

1x10

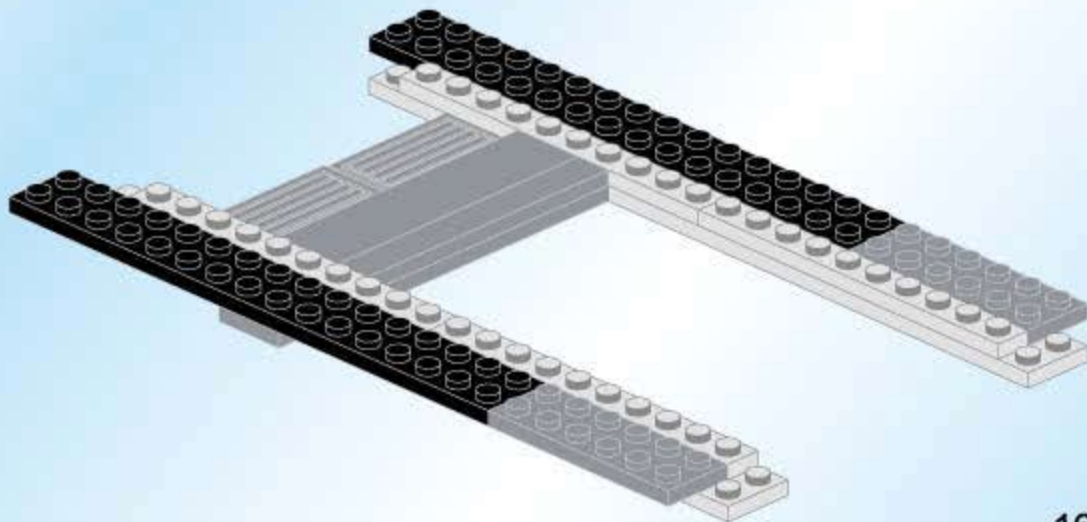


B23



2x

2x16



B24



1x



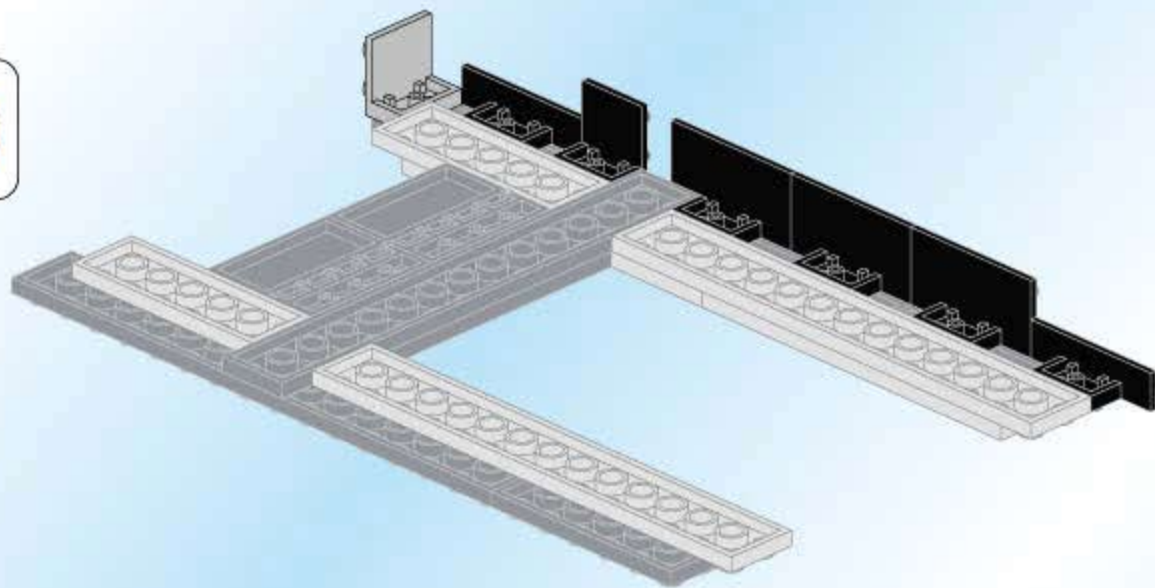
2x



1x



3x



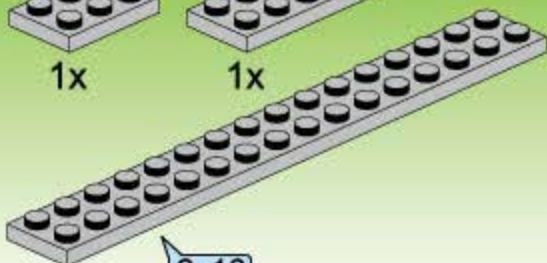
B25



1x

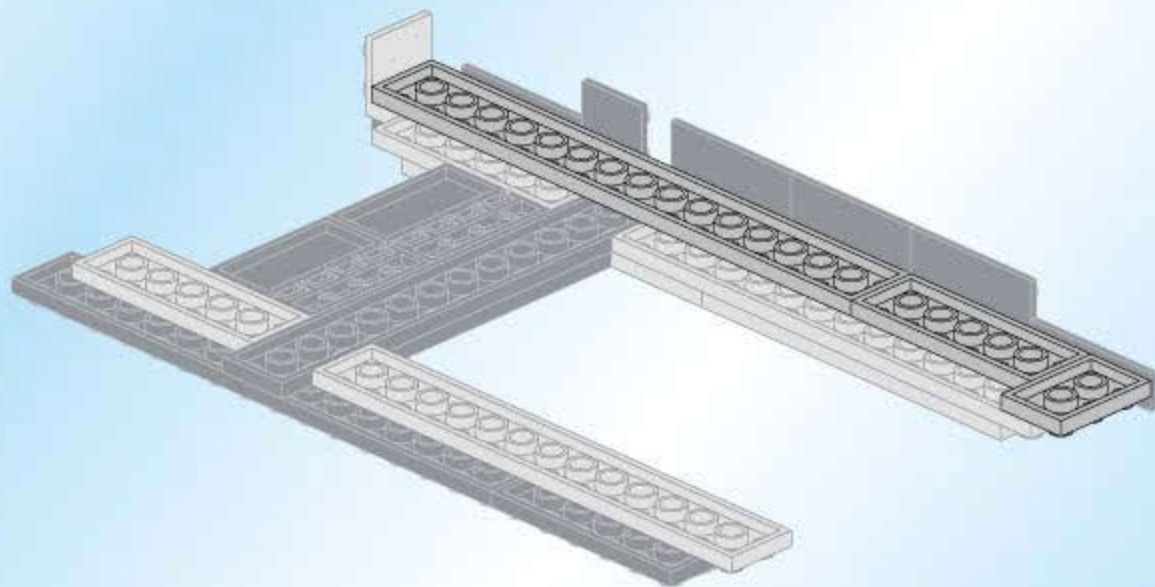


1x



1x

2x16



B26



1x



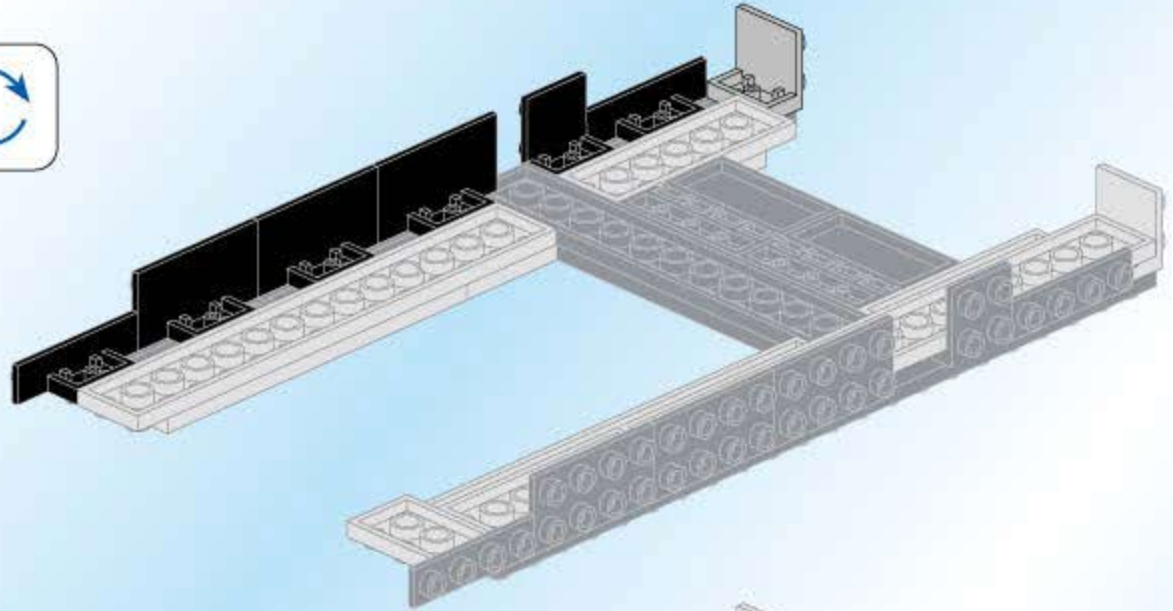
2x



1x



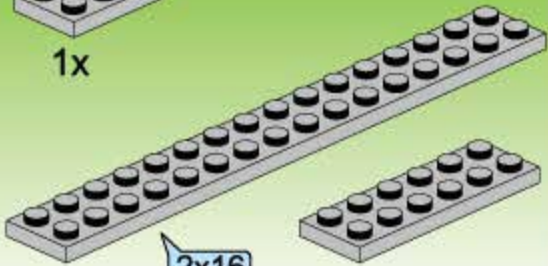
3x



B27

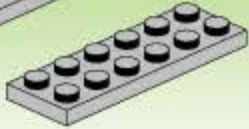


1x

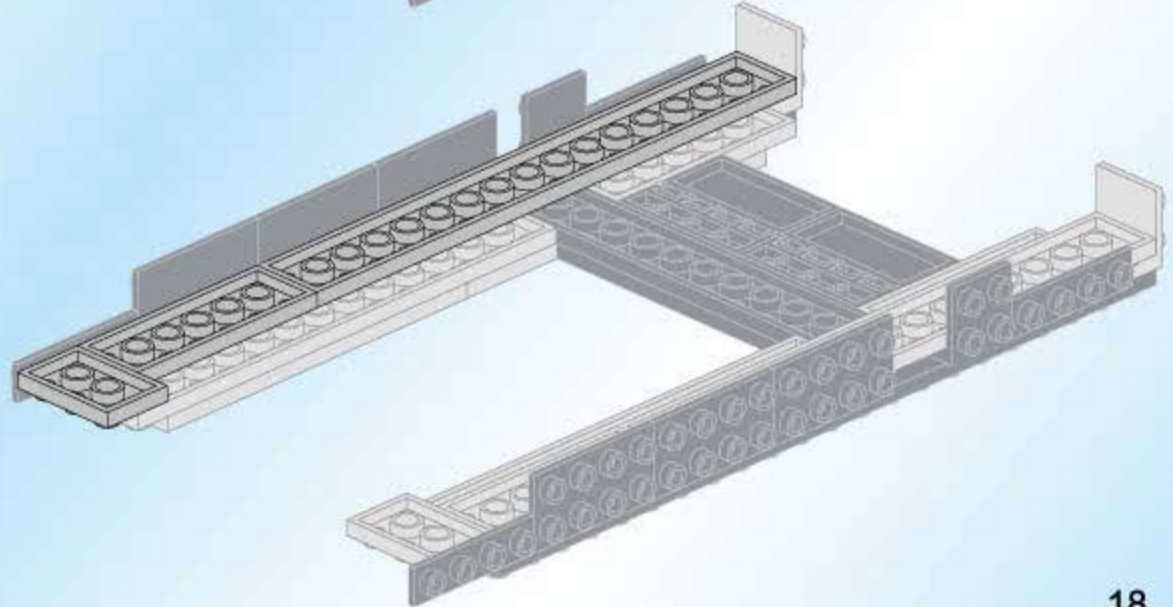


1x

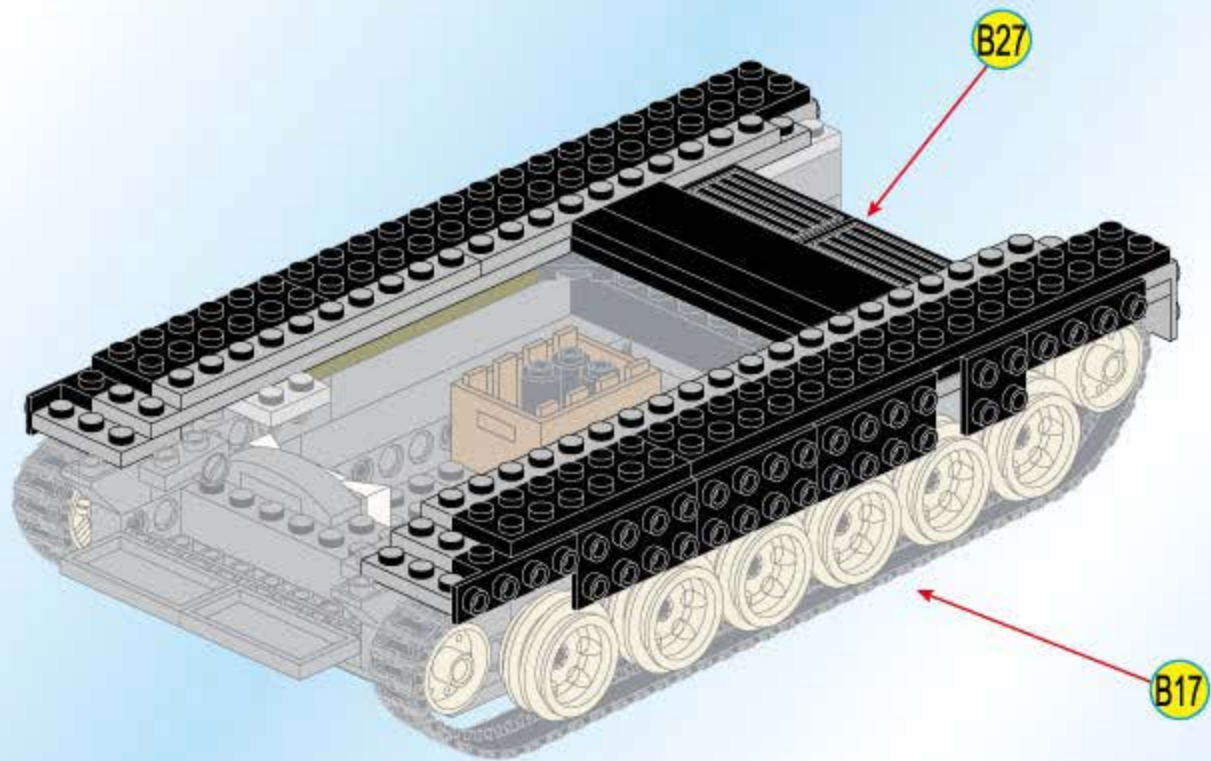
2x16

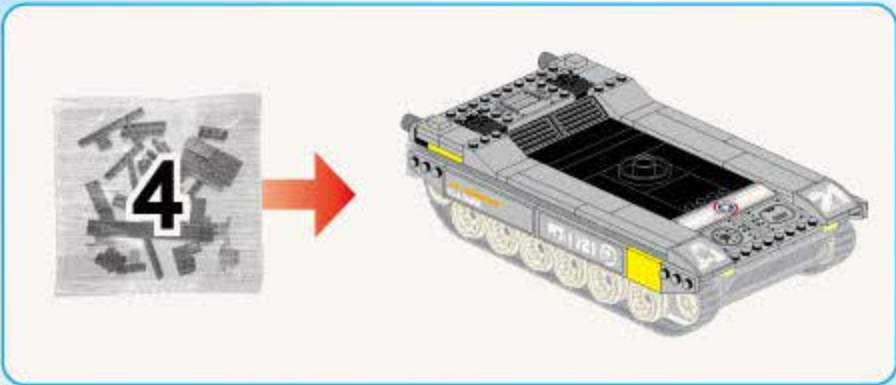











1x

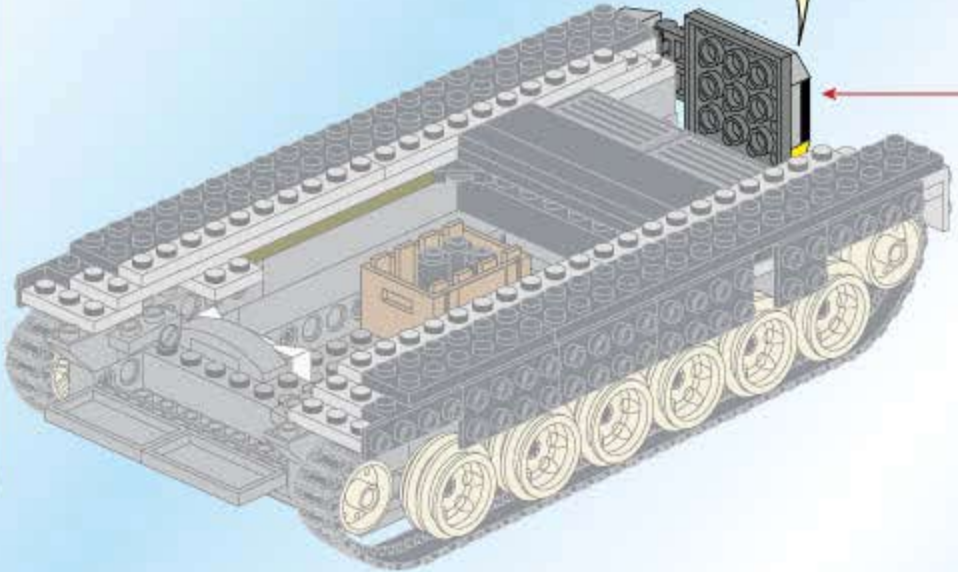
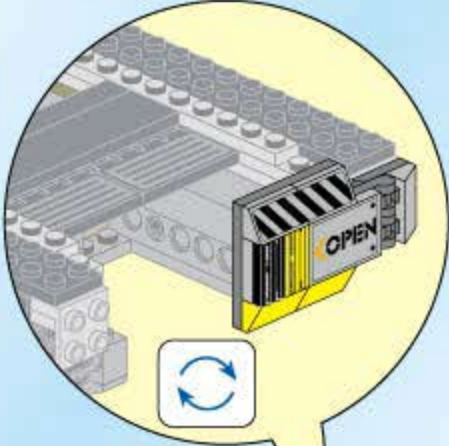


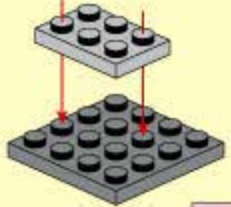
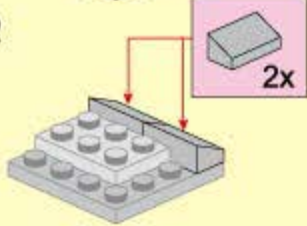

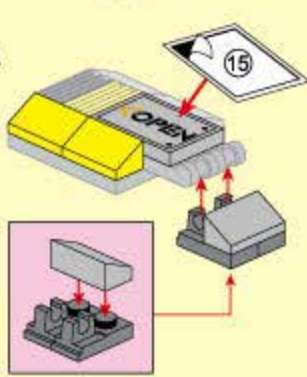
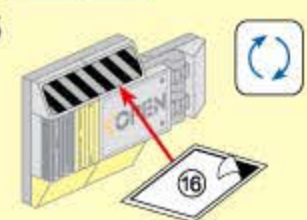
B28



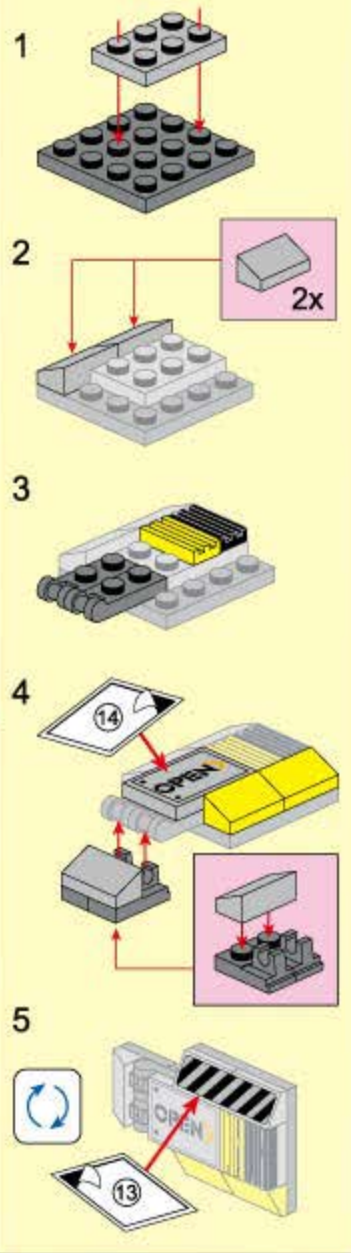
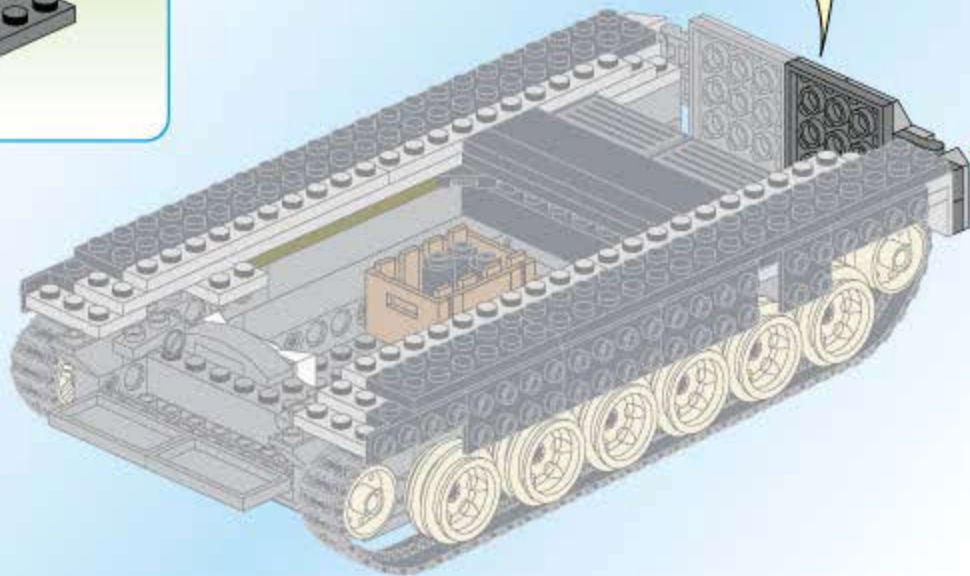
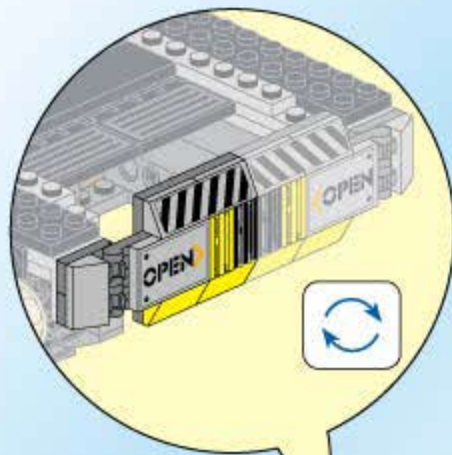
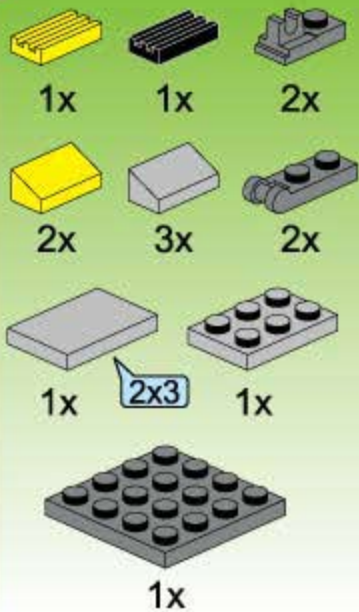


- B29**
- | | | |
|--|---|---|
|  |  |  |
| 1x | 1x | 2x |
|  |  |  |
| 2x | 3x | 2x |
|  |  | |
| 1x | 2x3 | 1x |
|  | | |
| 1x | | |



- 1 
- 2 
- 3 
- 4 
- 5 

B30



B31

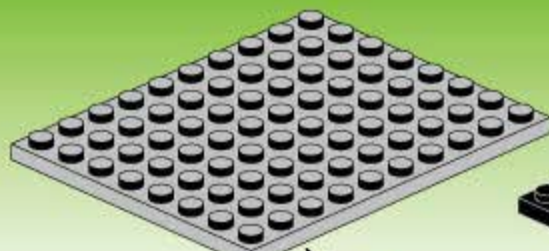


2x



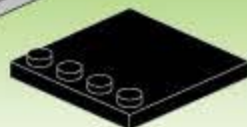
3x

2x8



1x

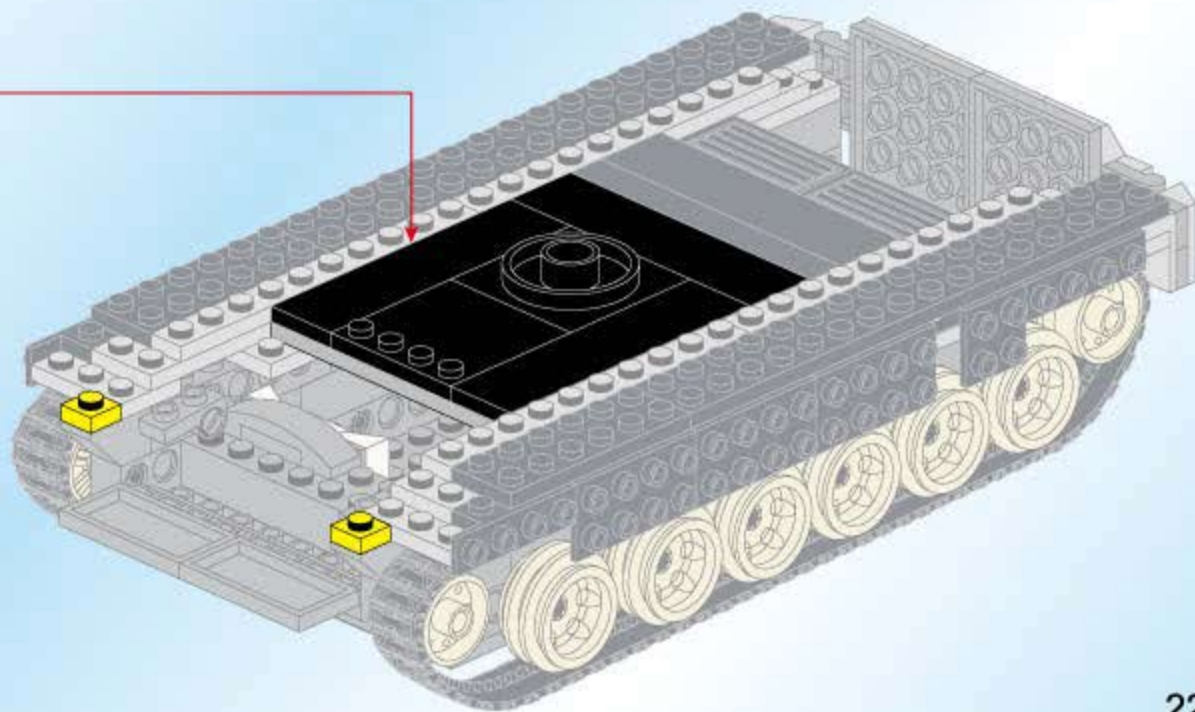
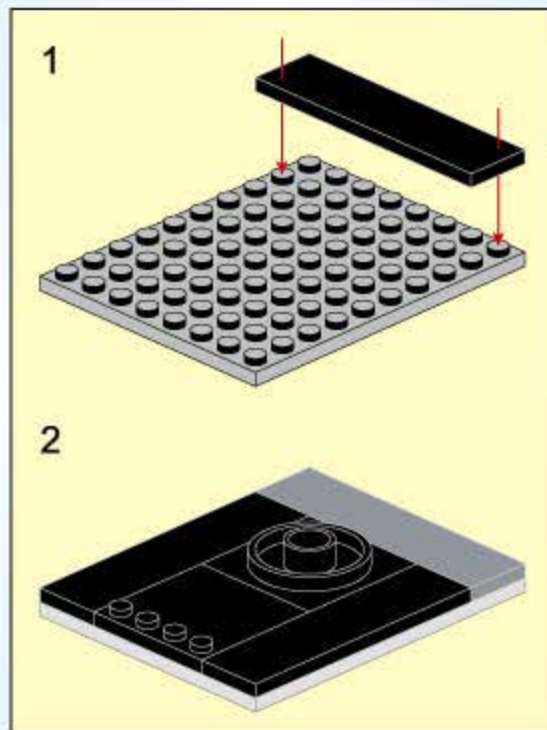
8x10



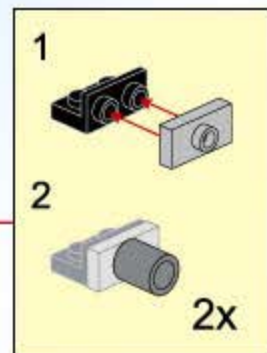
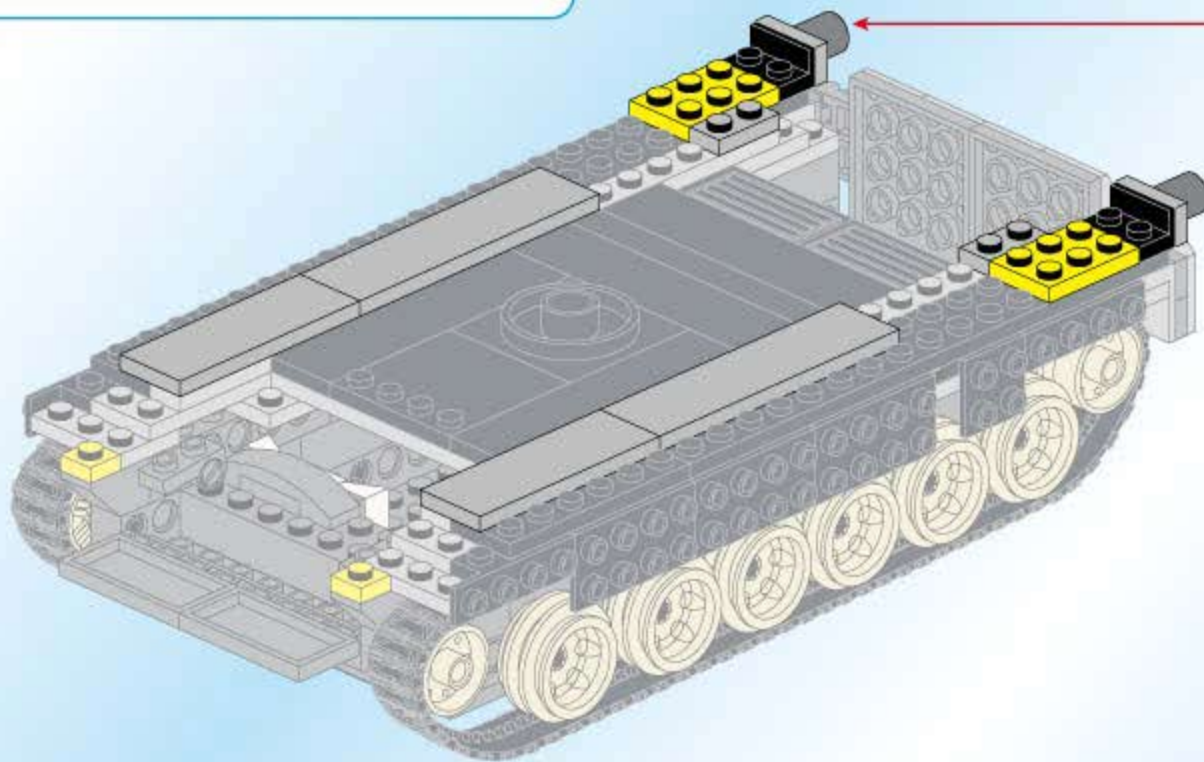
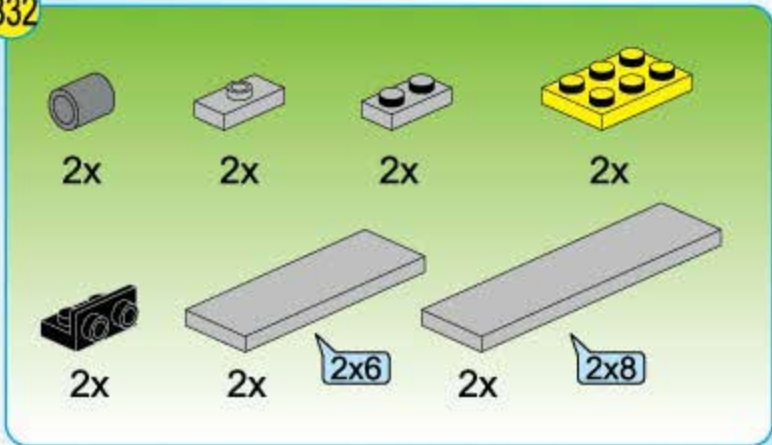
1x



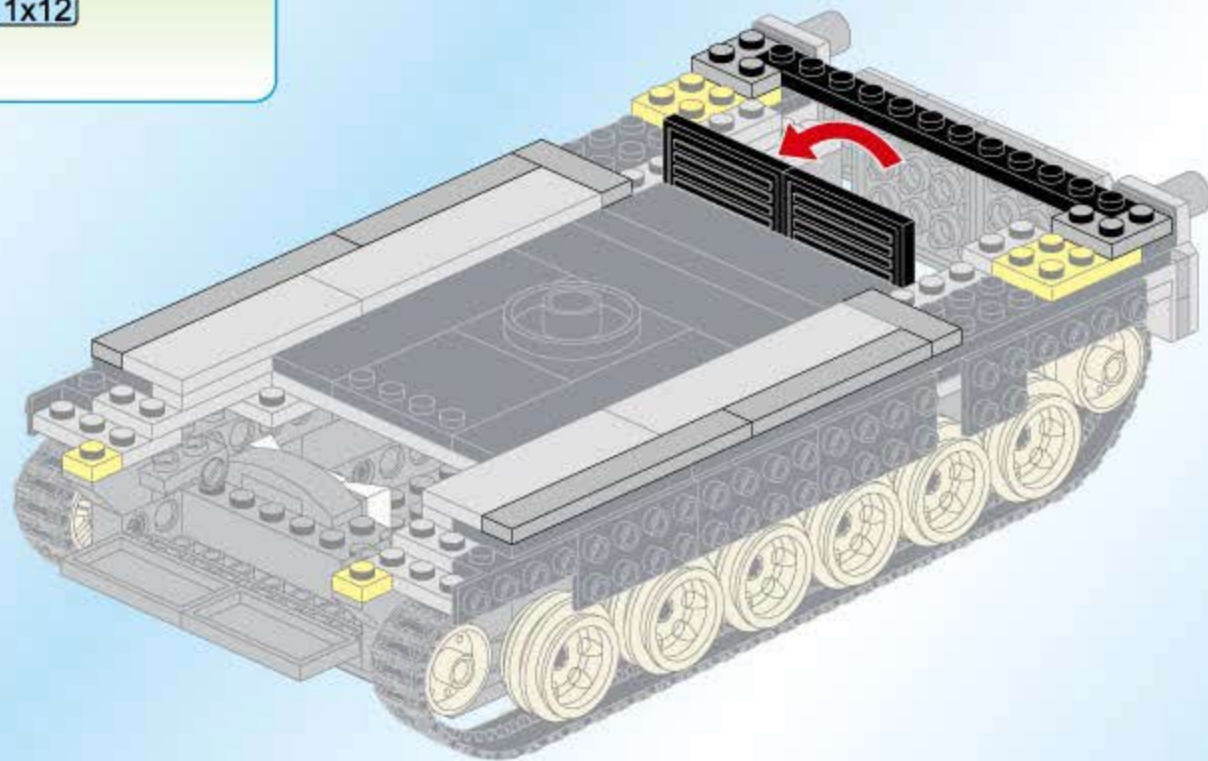
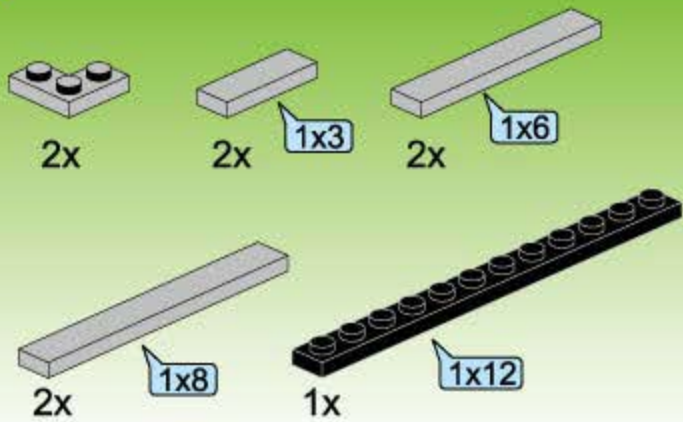
1x



B32



B33



B34



2x



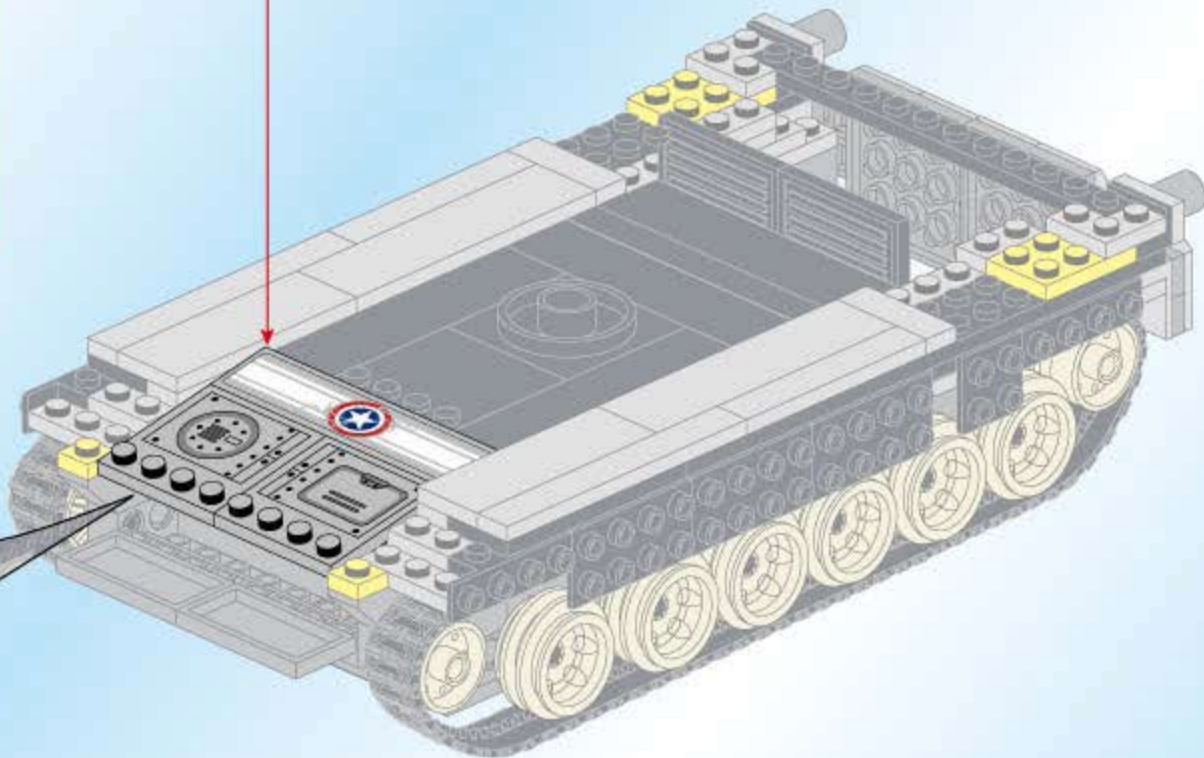
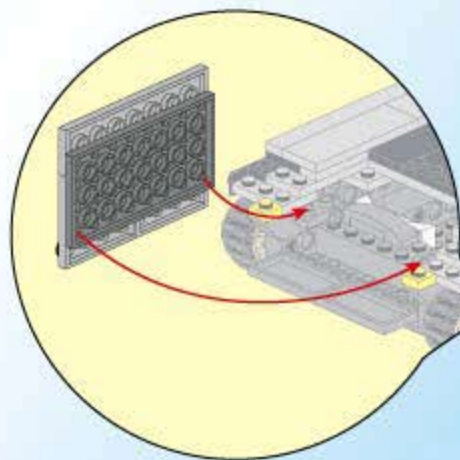
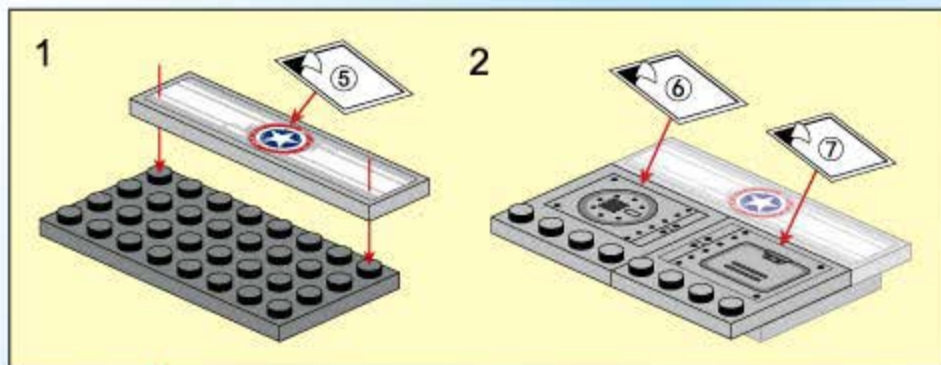
1x

2x8



1x

4x8



B35

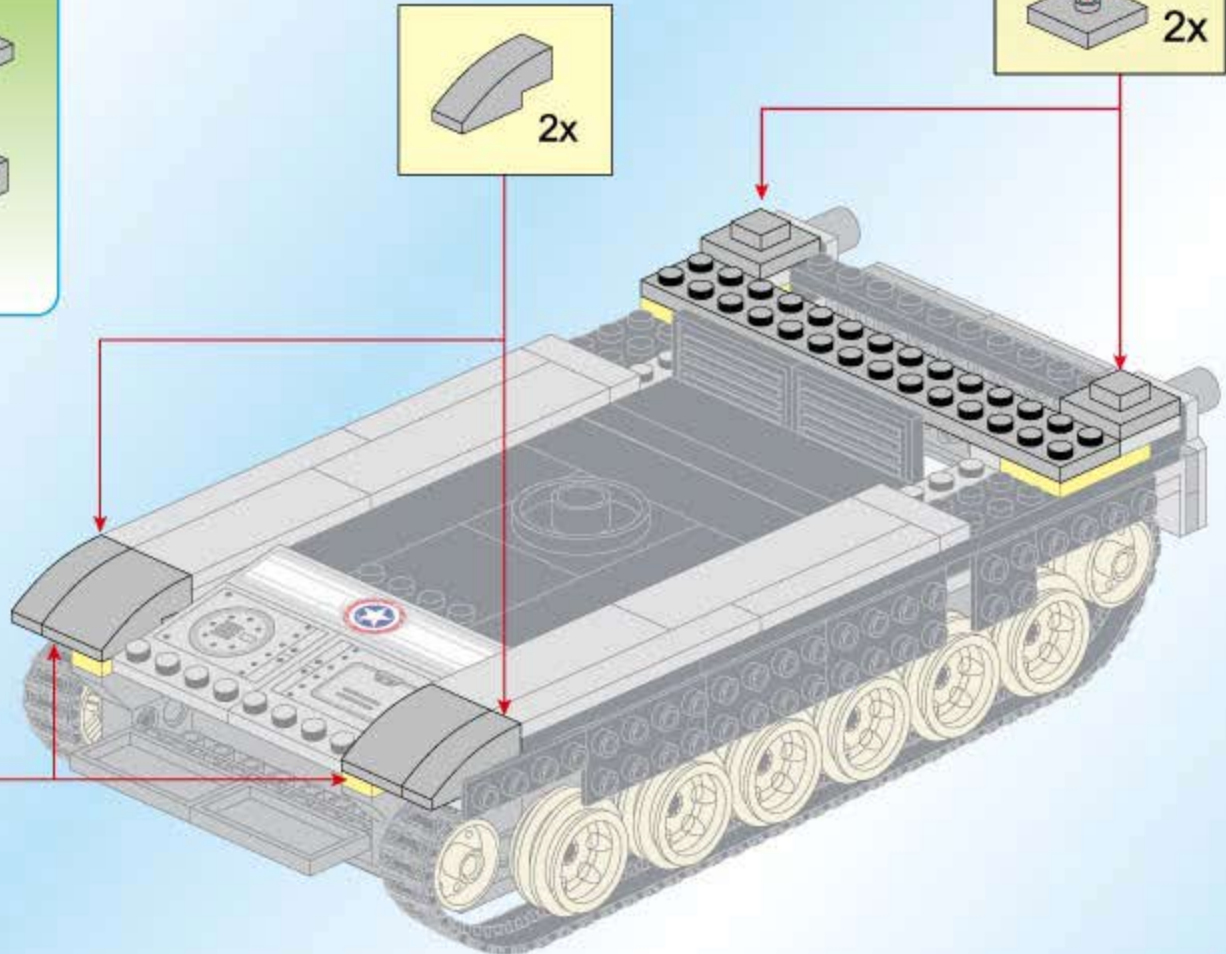
Parts list for step B35:

- 2x 1x1 Technic Brick
- 2x 1x2 Technic Plate with Hole
- 2x 1x2 Technic Slope
- 1x 1x14 Technic Beam
- 2x 1x2 Technic Slope

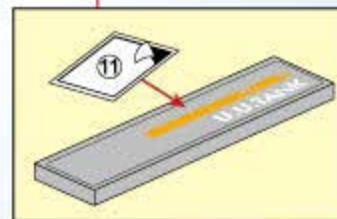
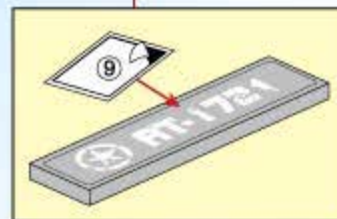
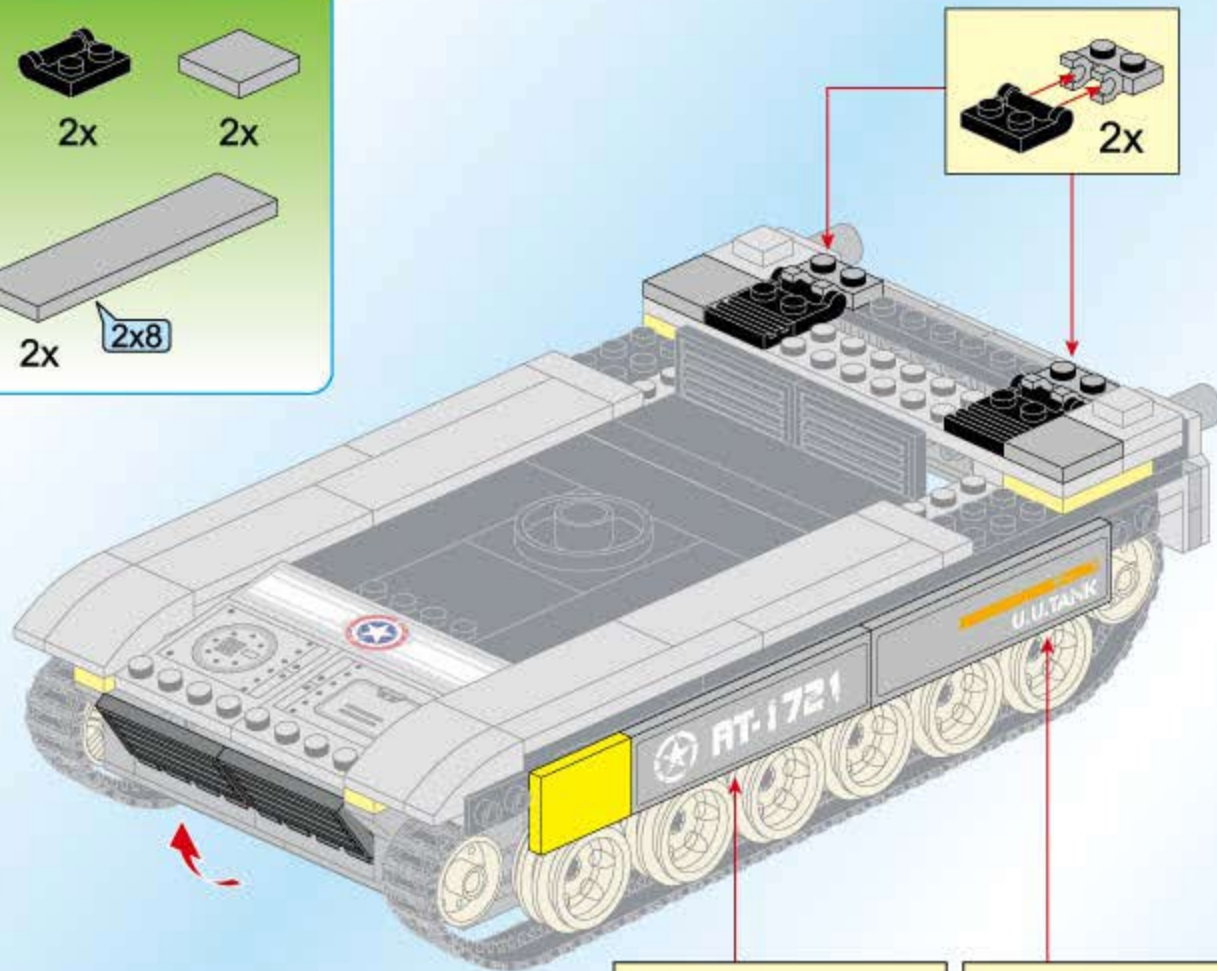
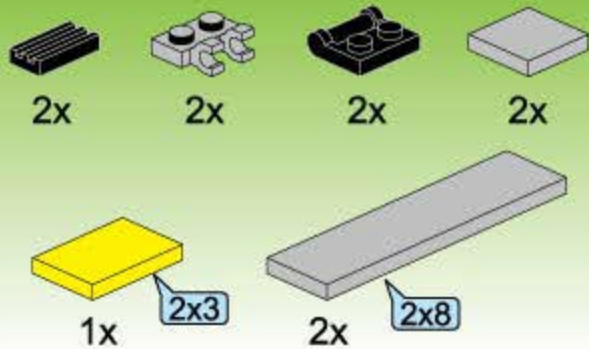
1x2 Technic Slope 2x

1x2 Technic Slope 2x

1x1 Technic Brick on 1x2 Technic Plate with Hole 2x



B36



B37



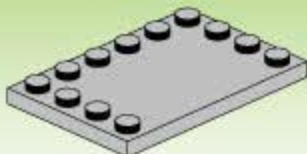
1x



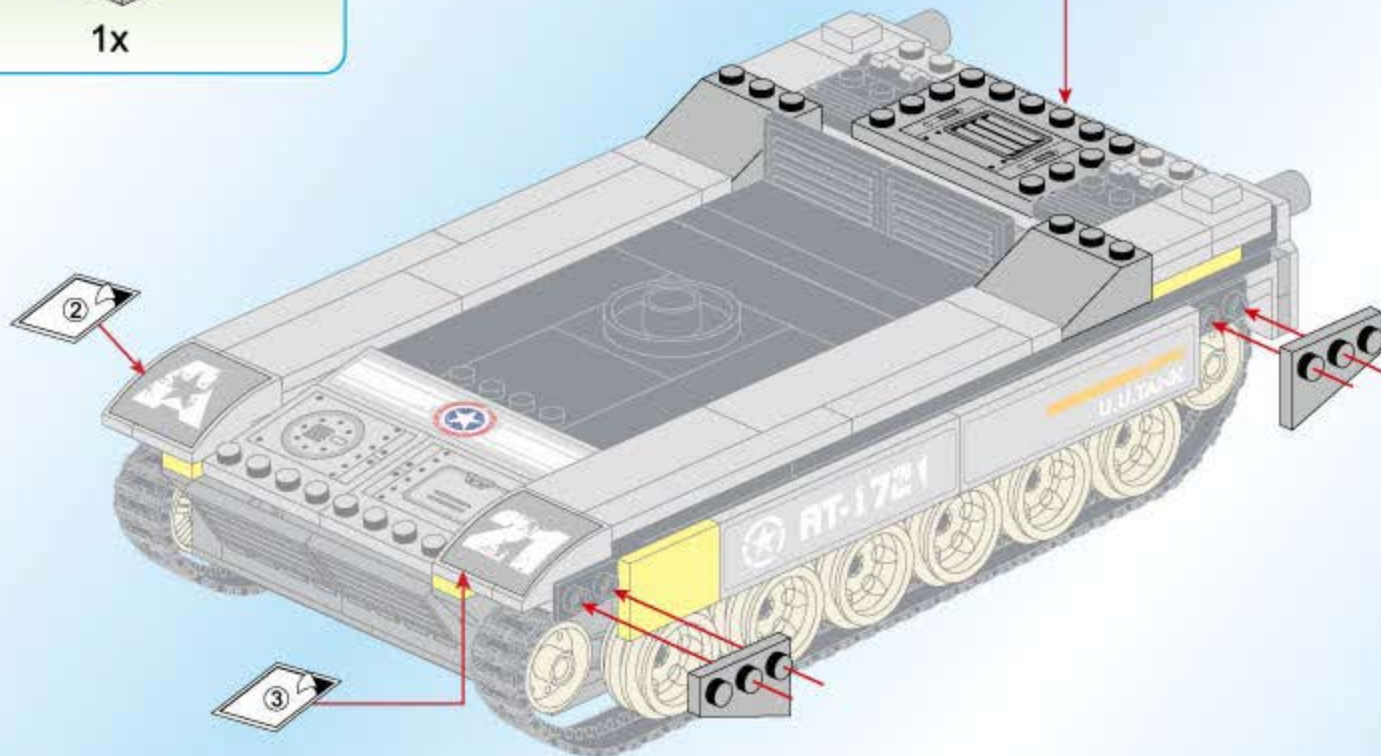
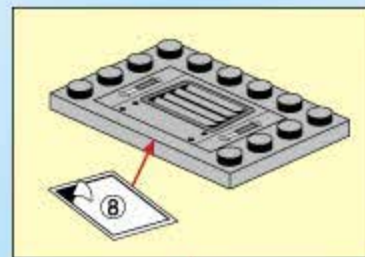
2x



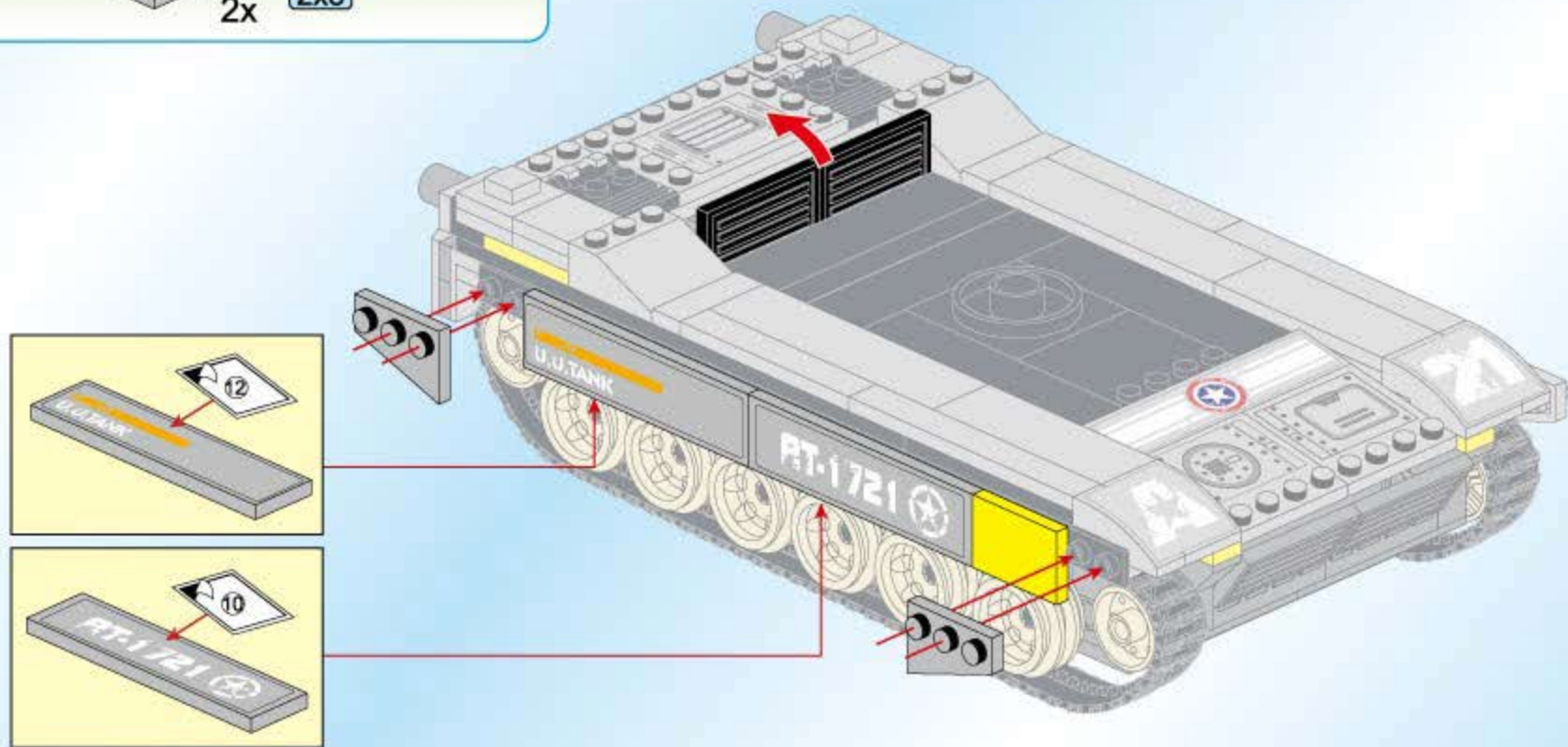
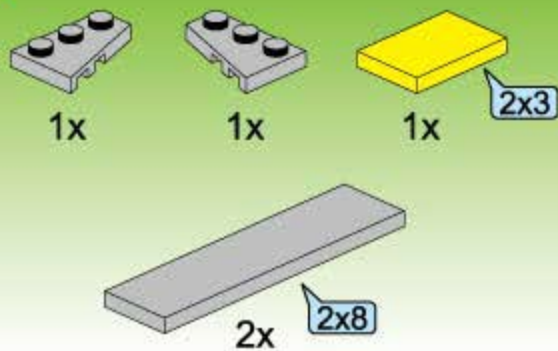
1x

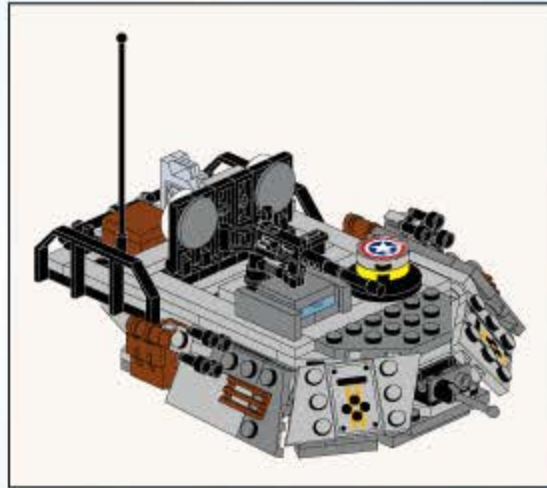


1x



B38





B39

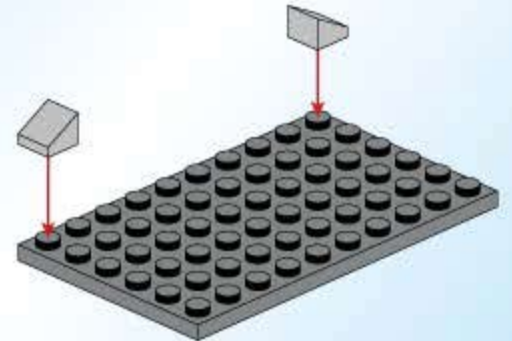


2x

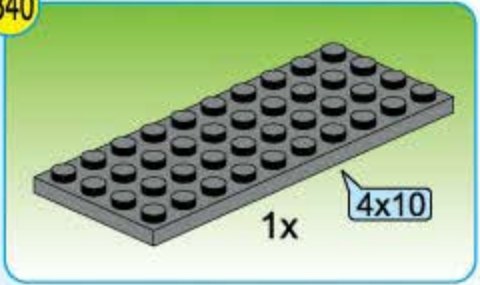


1x

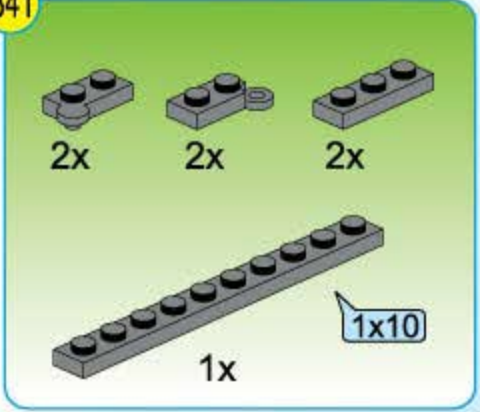
6x10



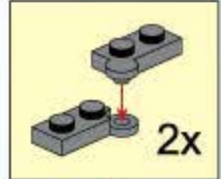
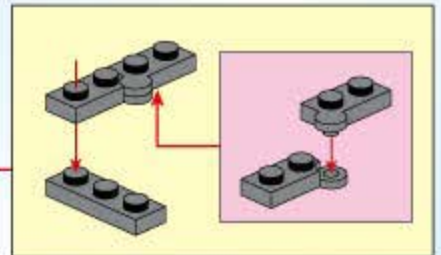
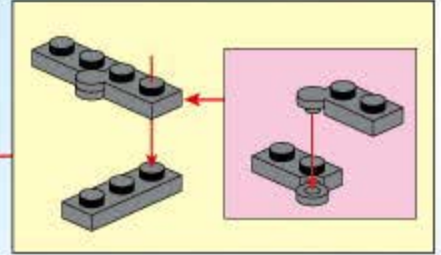
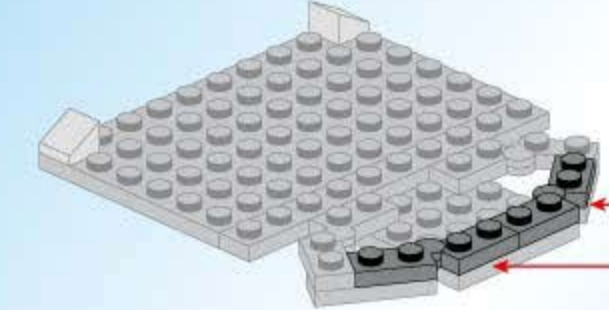
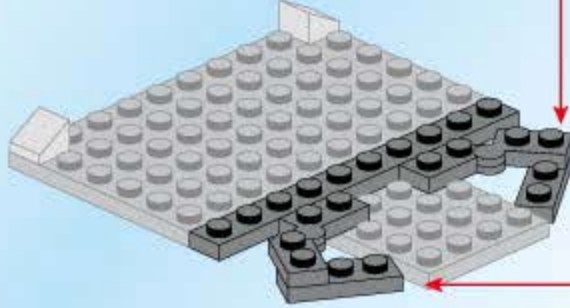
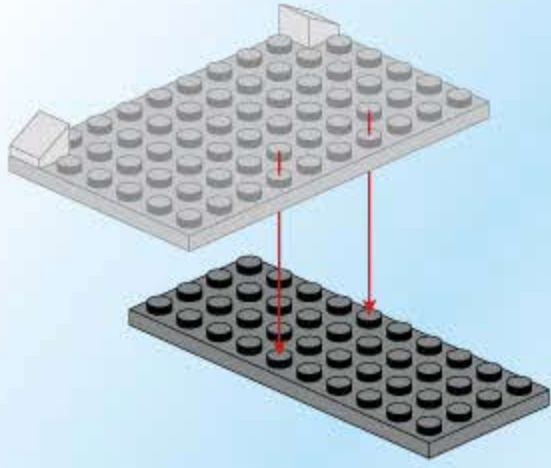
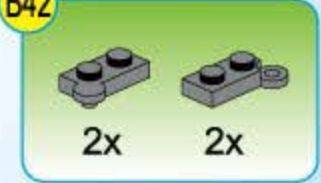
B40



B41



B42



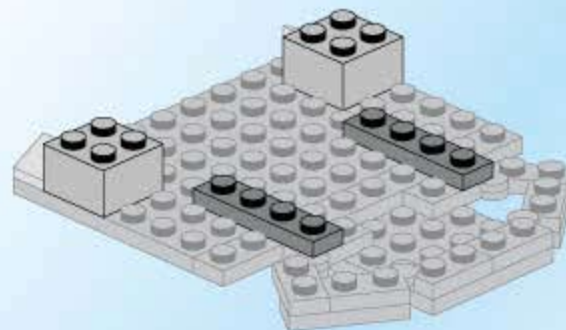
B43



2x



2x



B44



2x

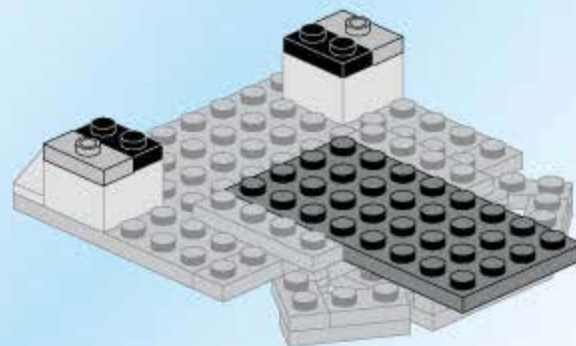


2x



1x

4x8



B45



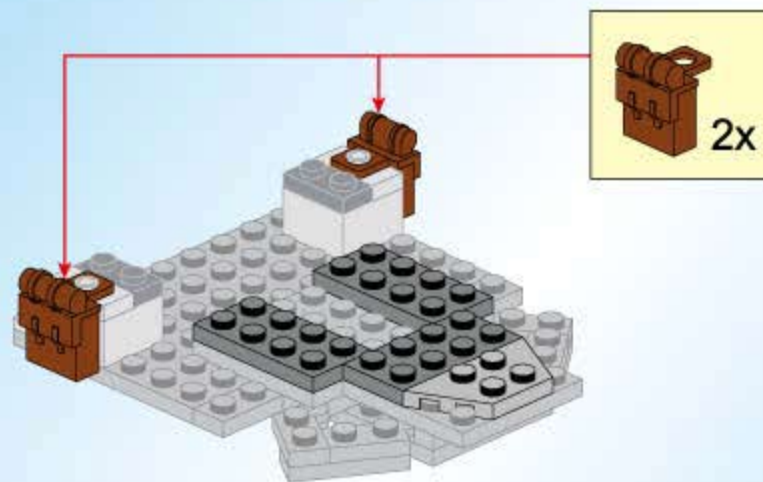
1x



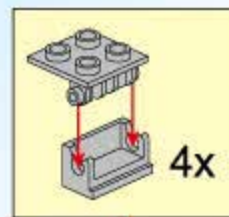
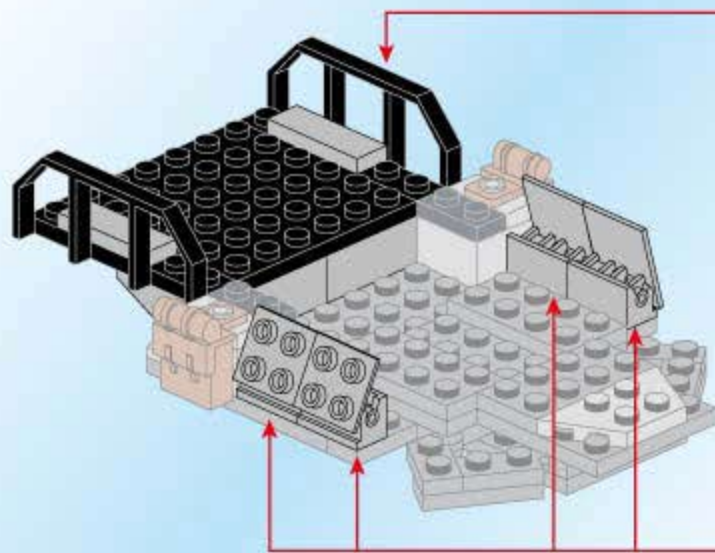
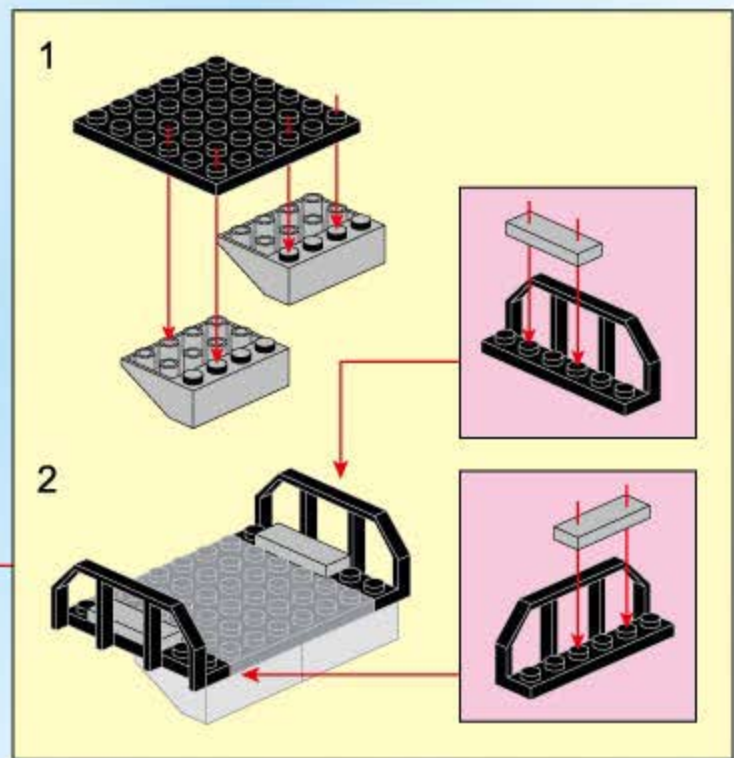
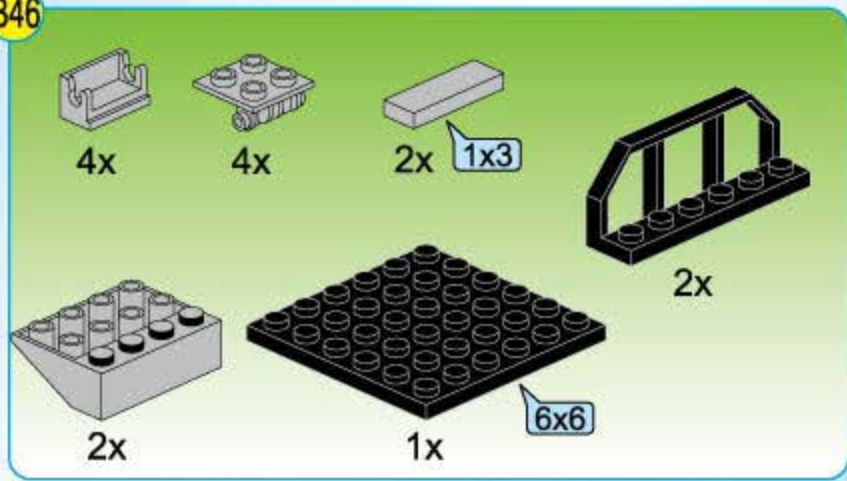
3x



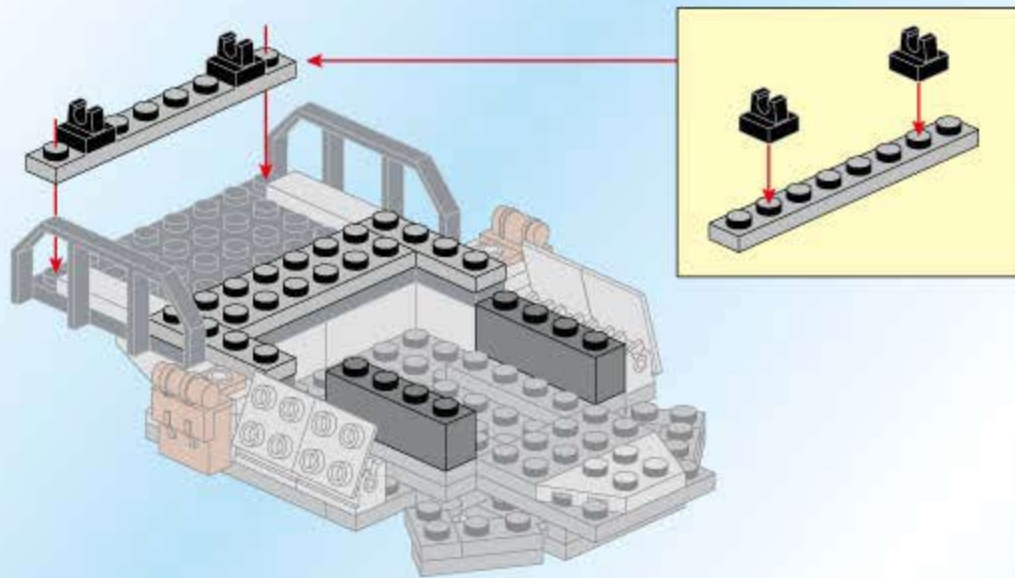
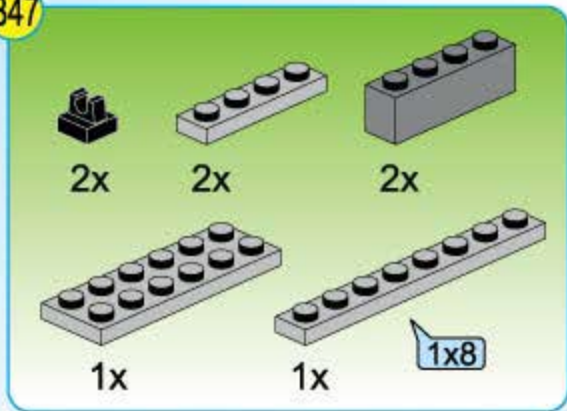
2x



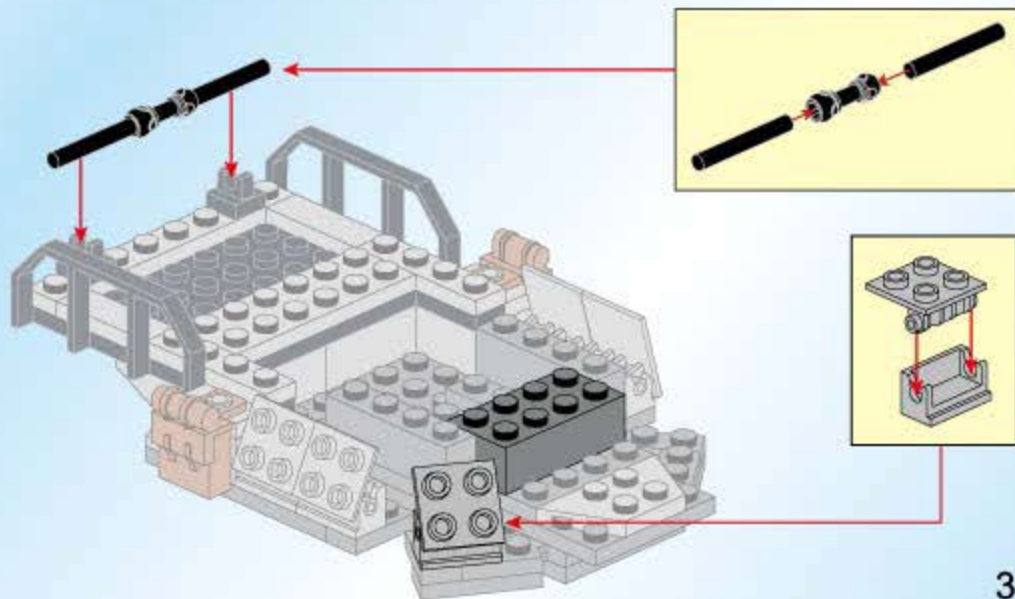
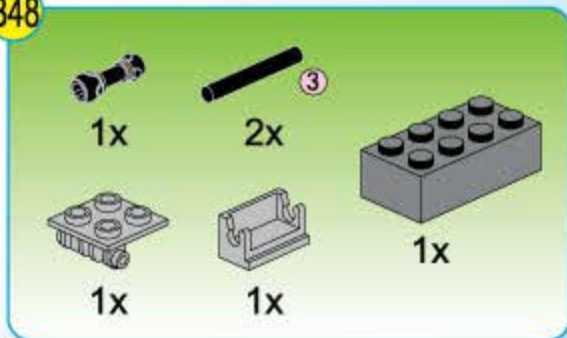
B46



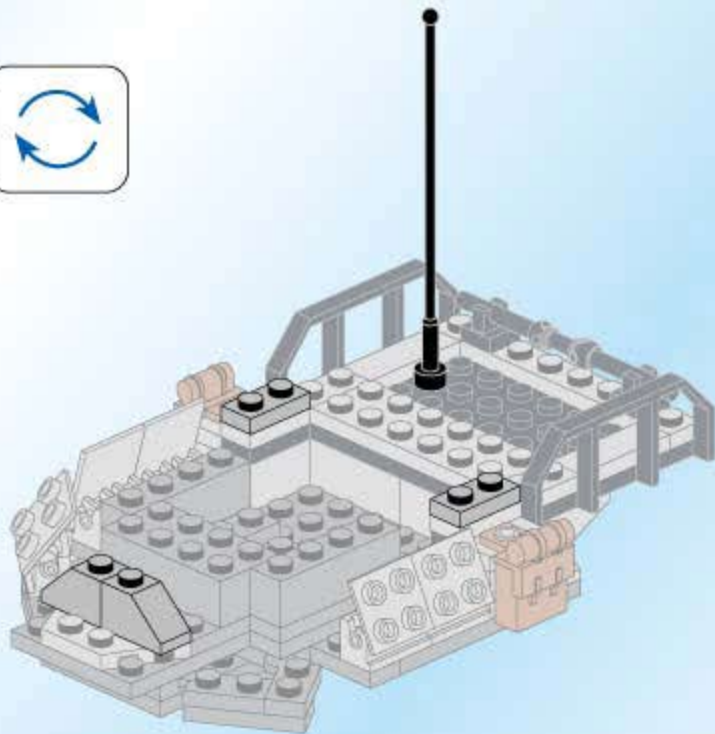
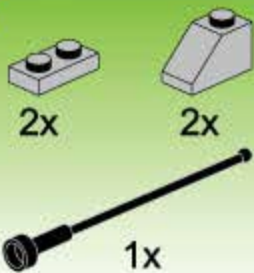
B47



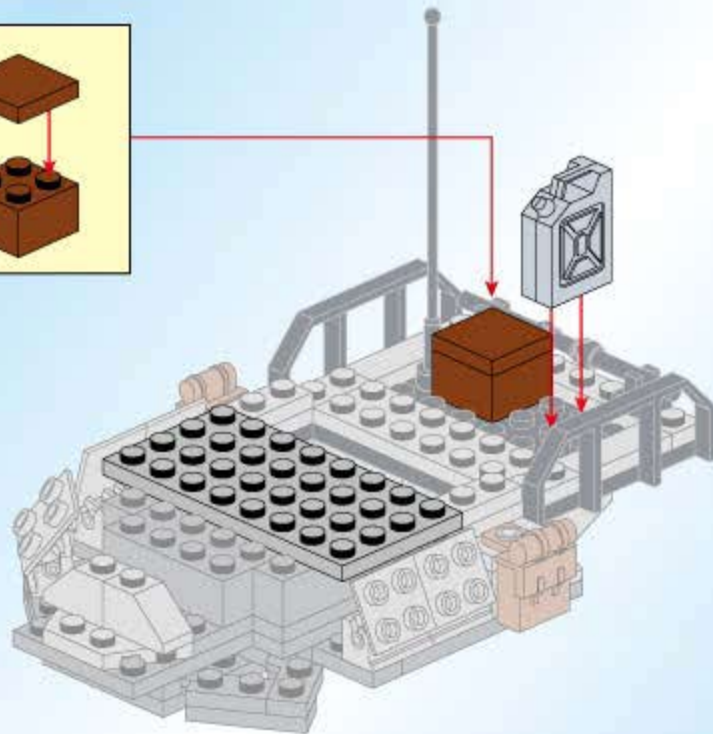
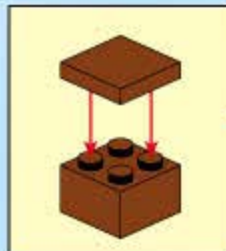
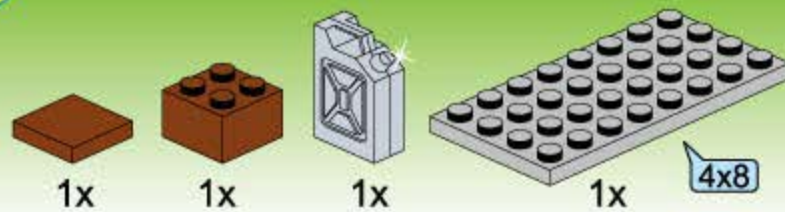
B48



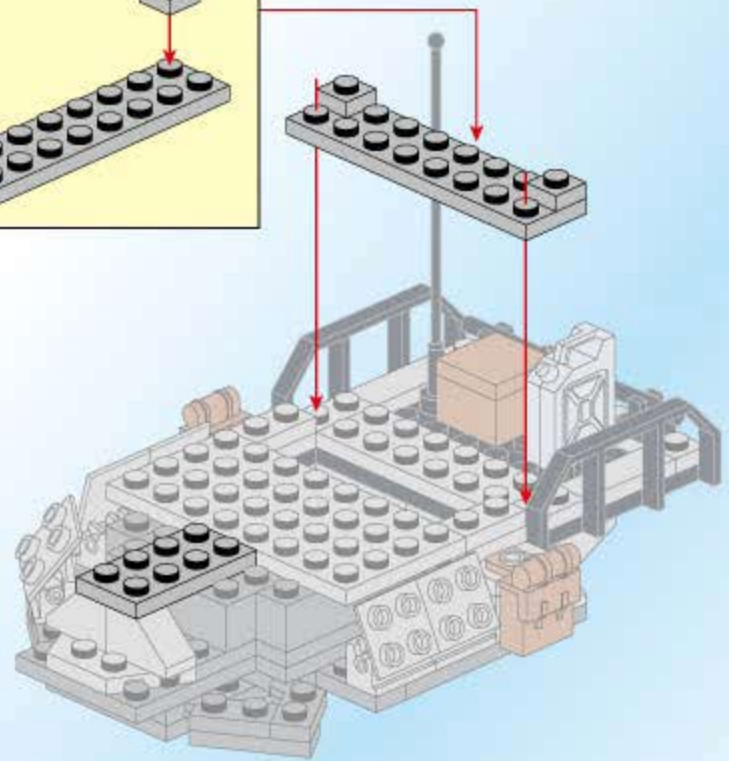
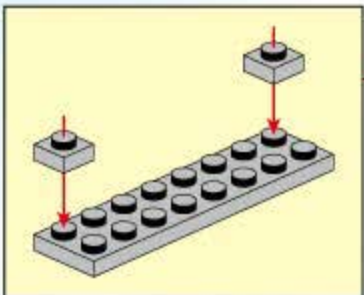
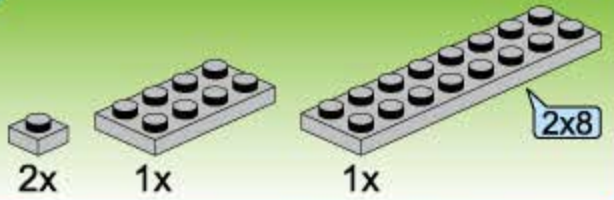
B49



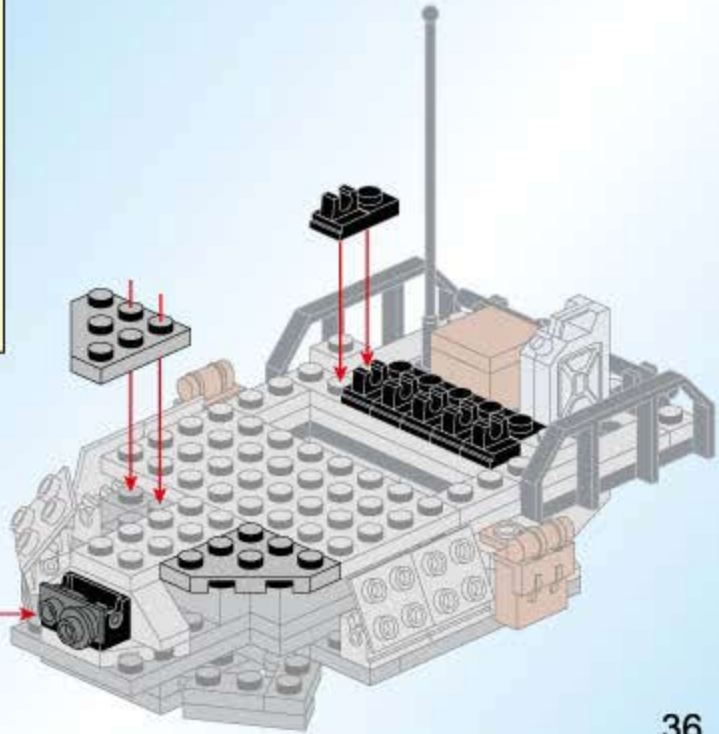
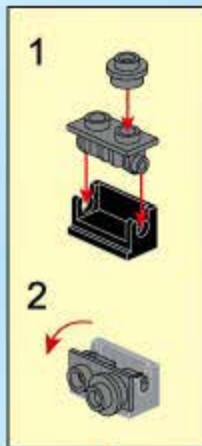
B50



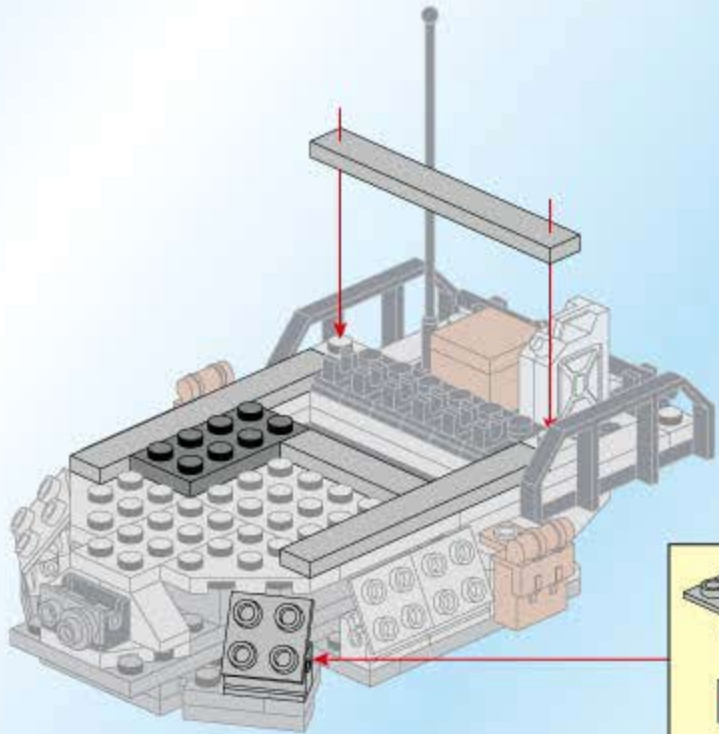
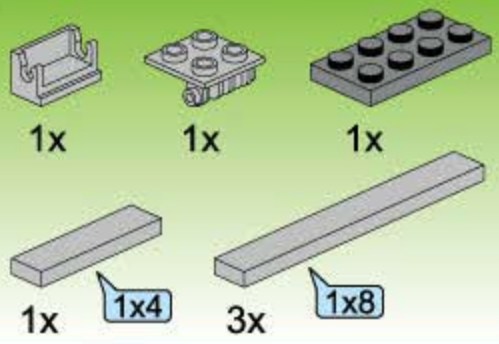
B51



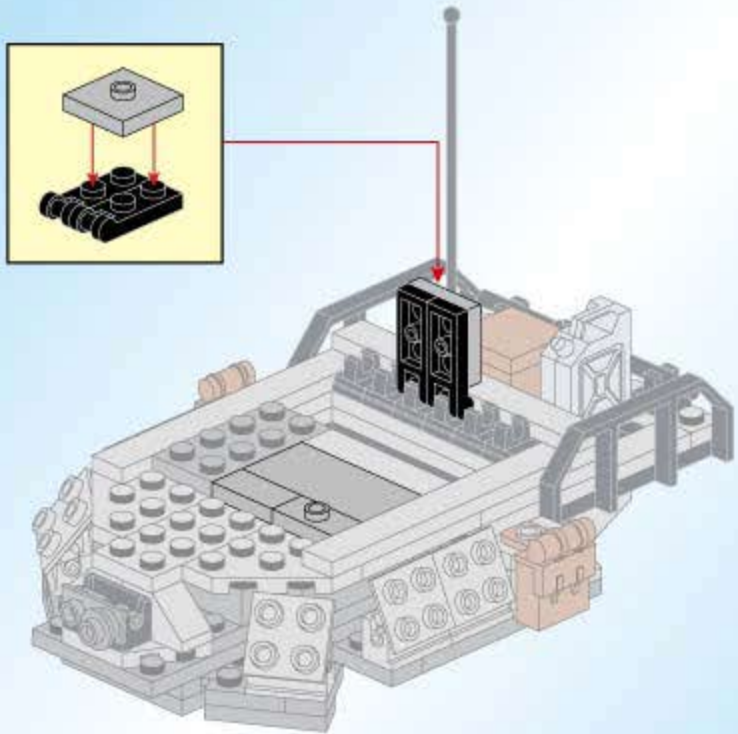
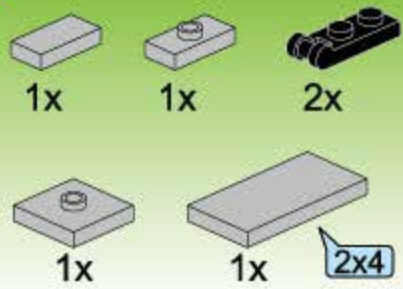
B52



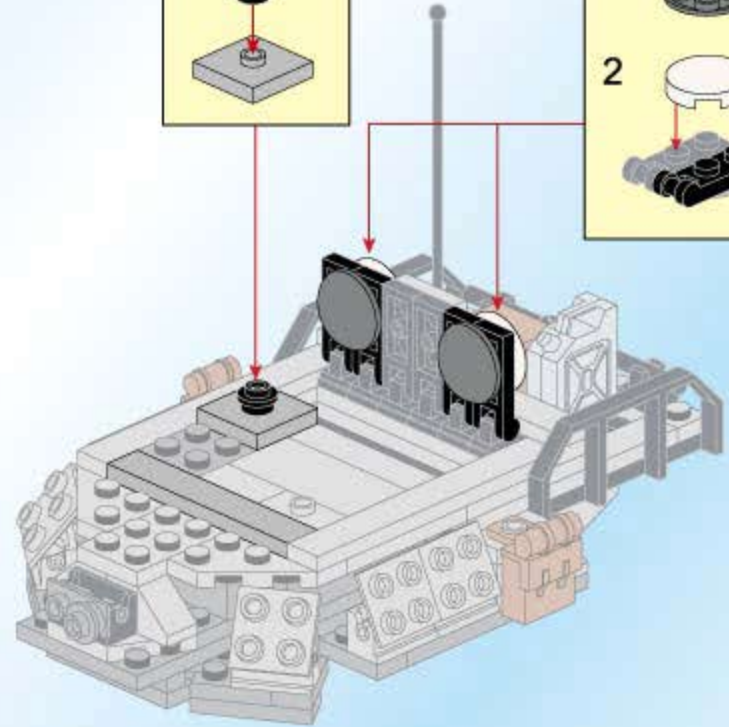
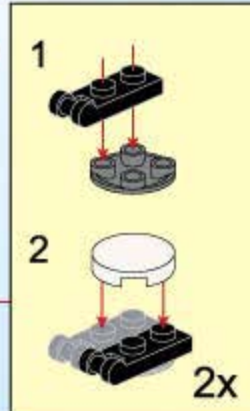
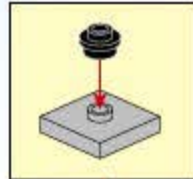
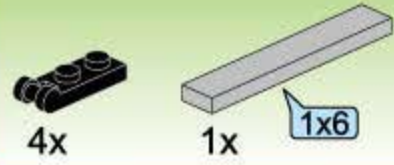
B53



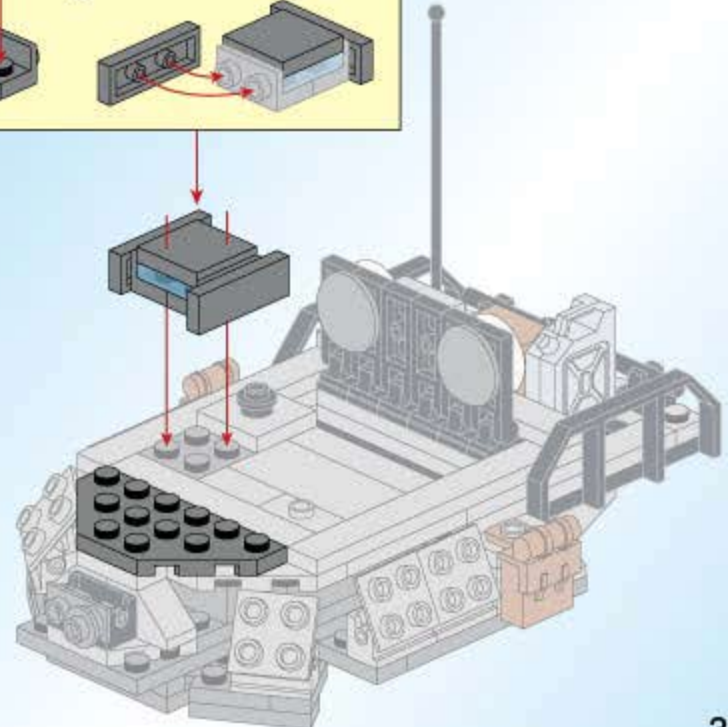
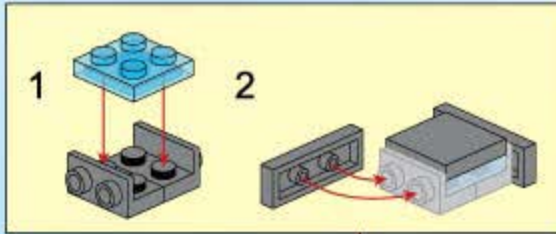
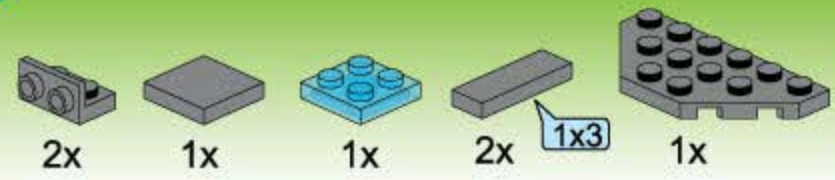
B54



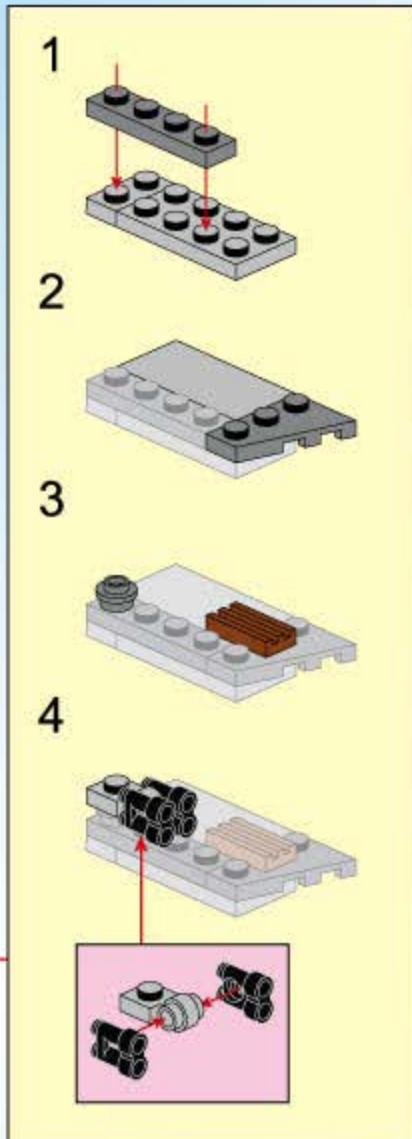
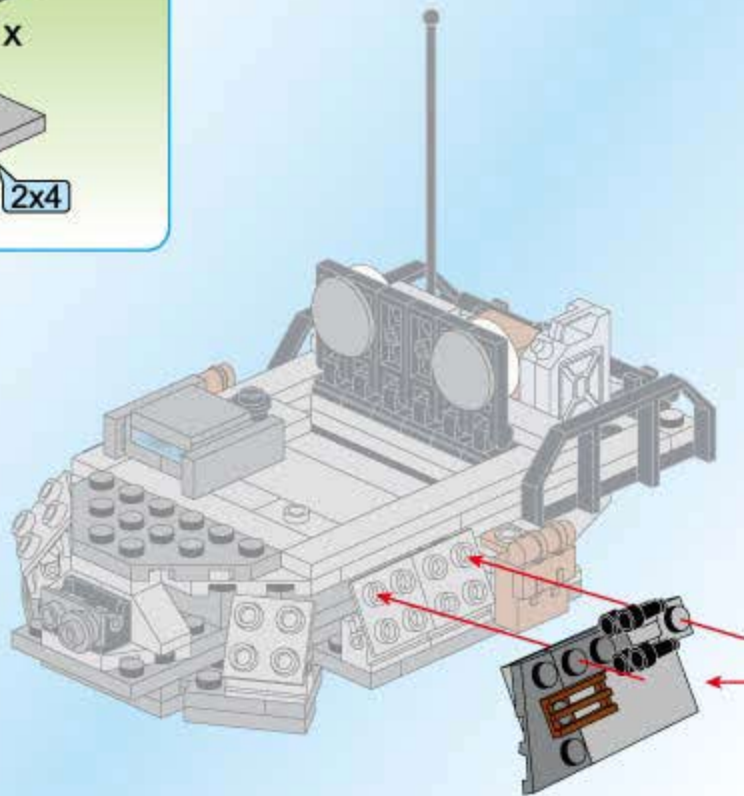
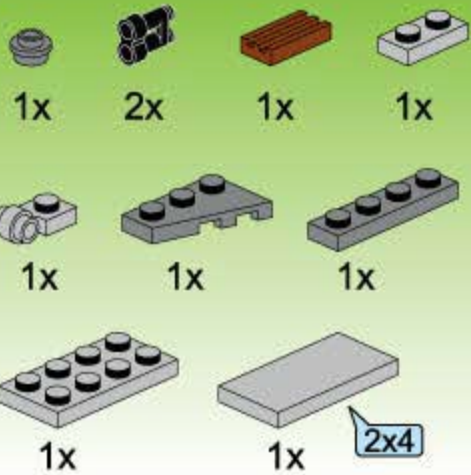
B55



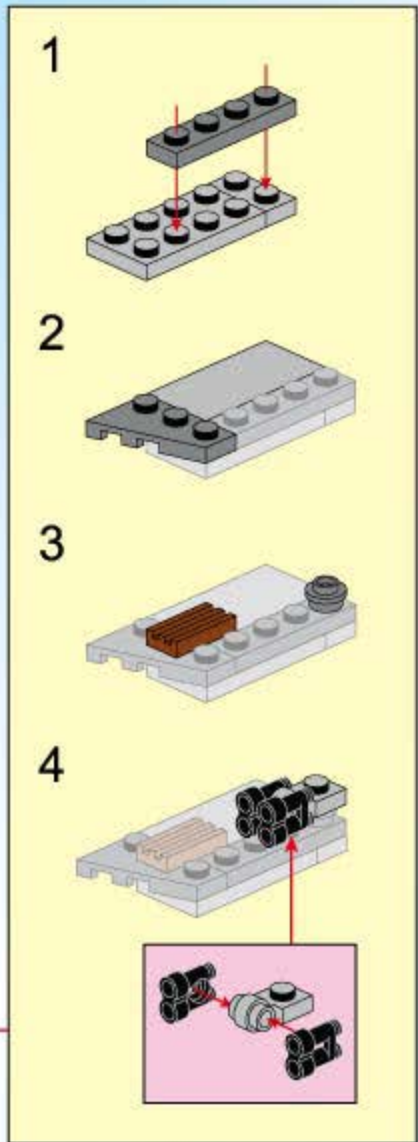
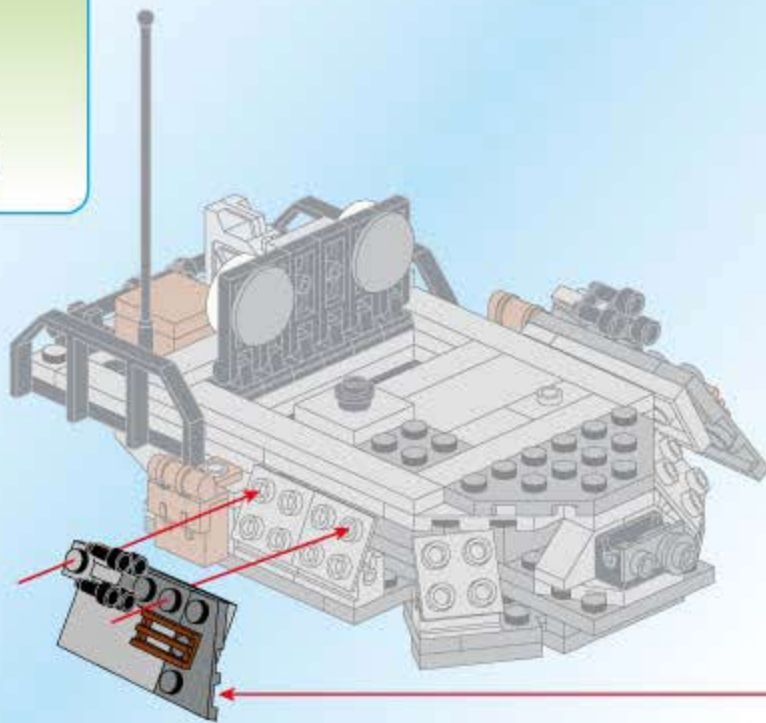
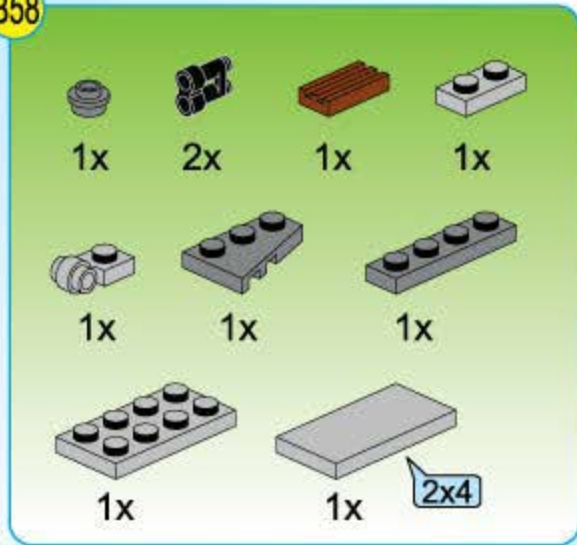
B56



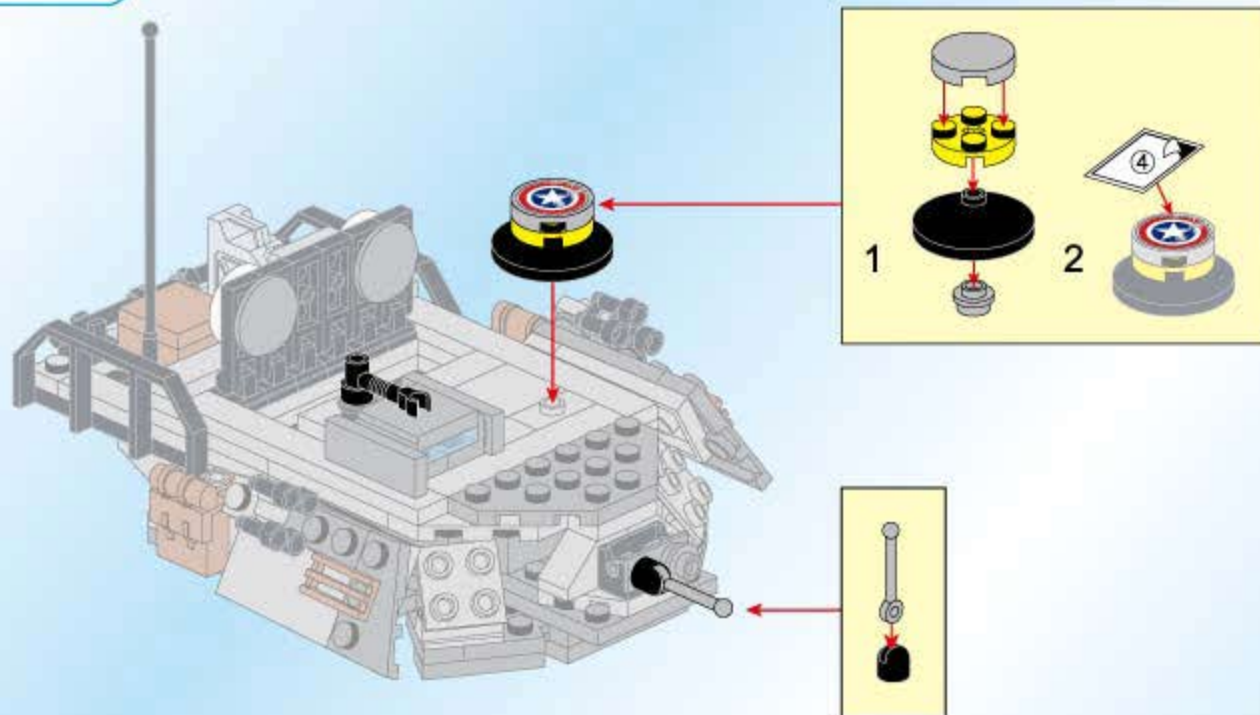
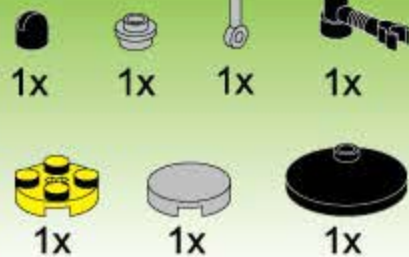
B57



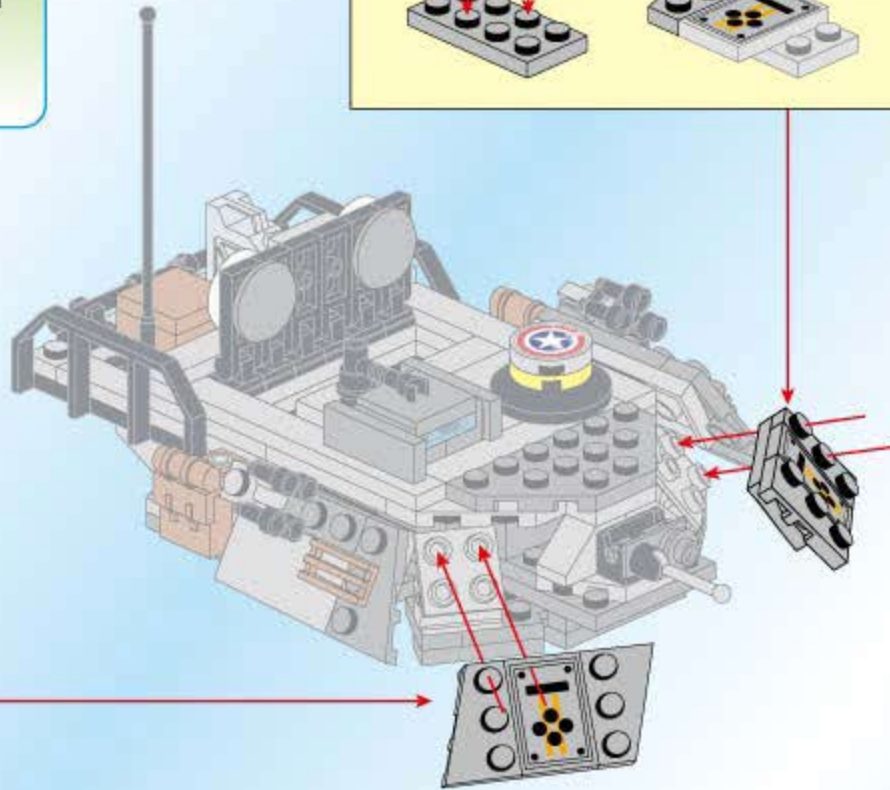
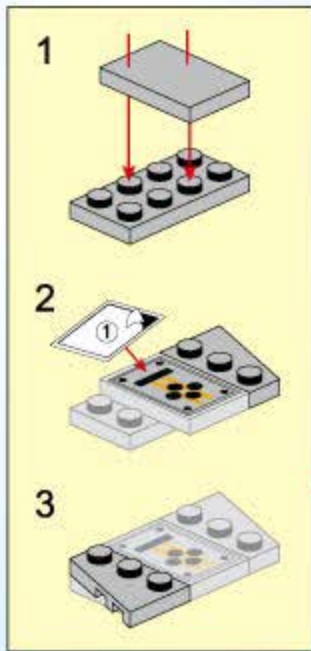
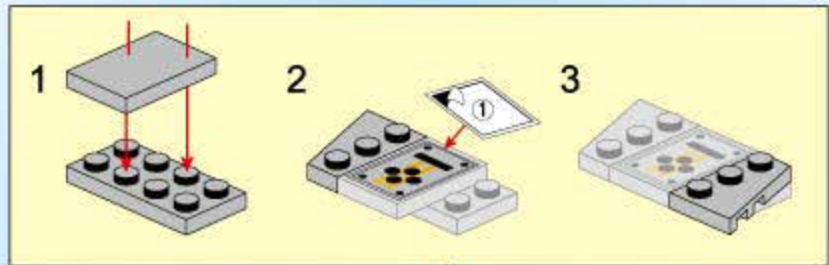
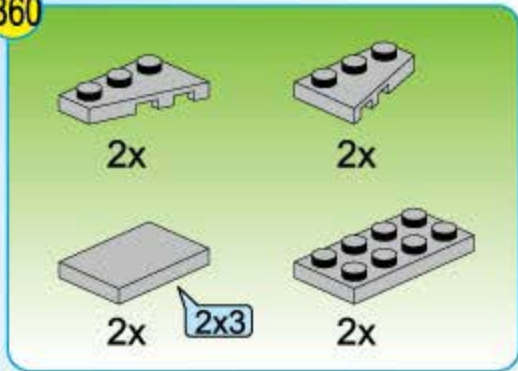
B58



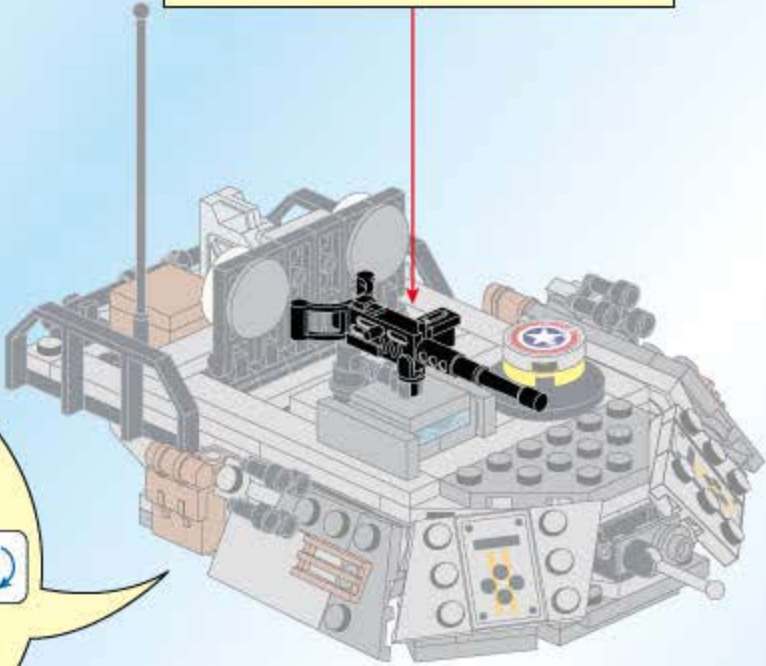
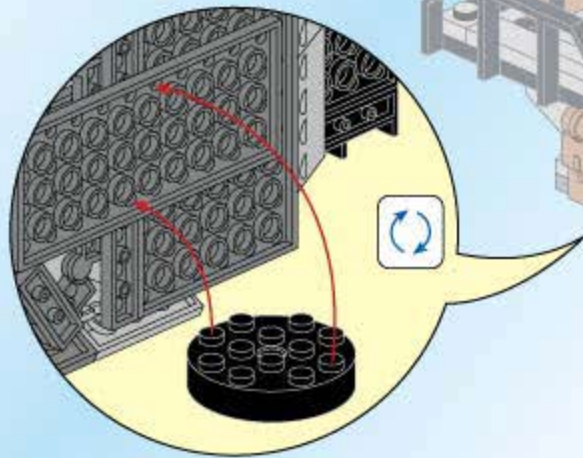
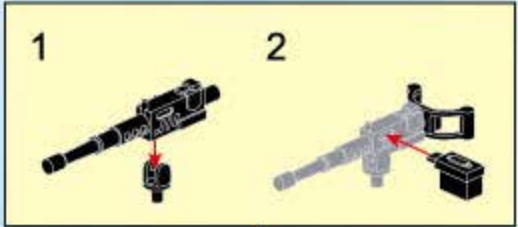
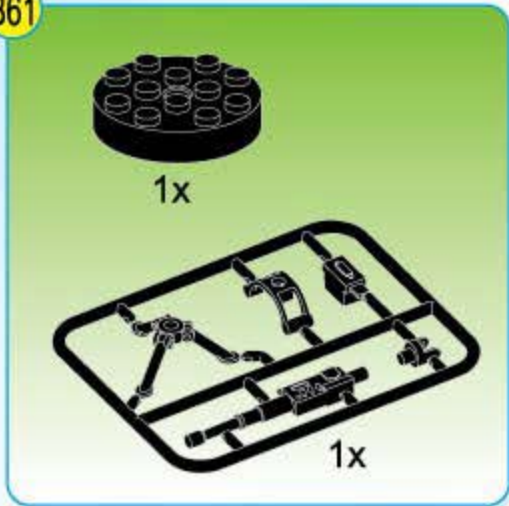
B59



B60



B61



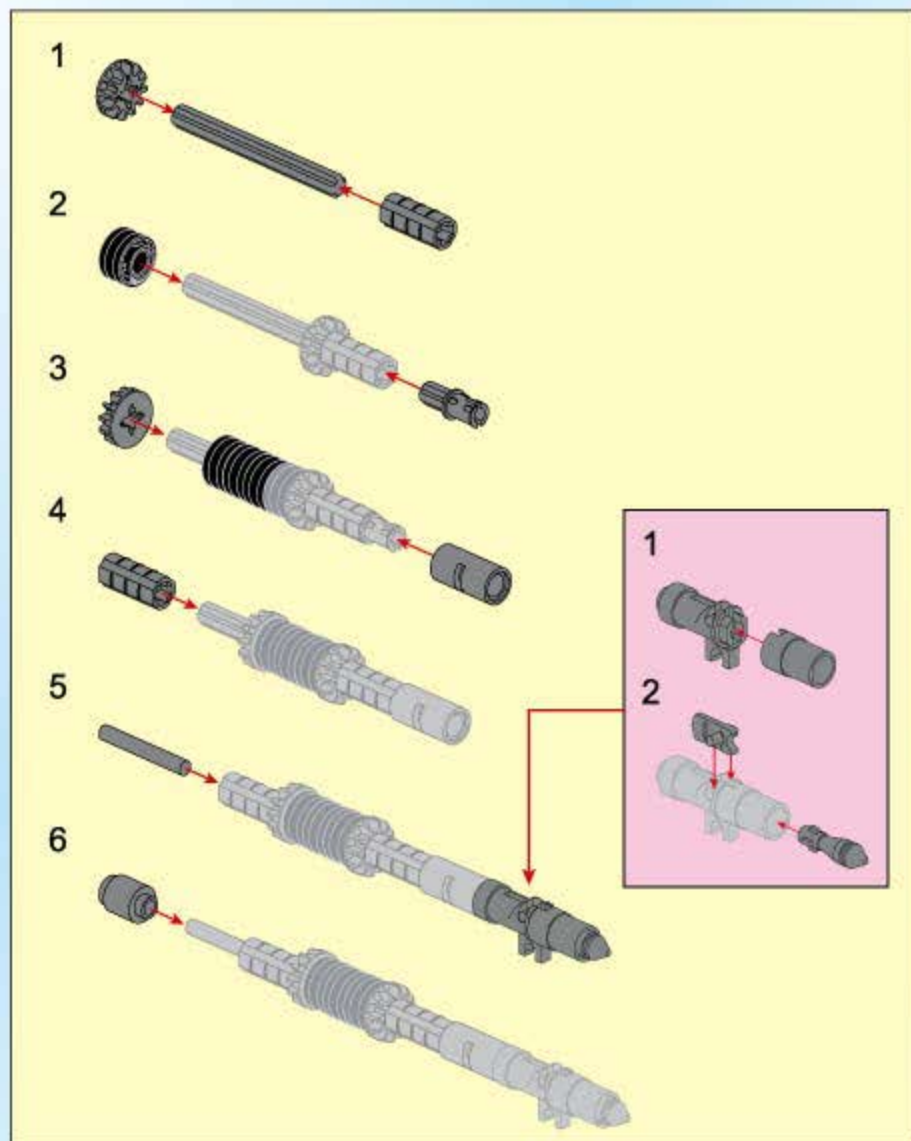
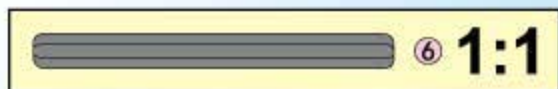
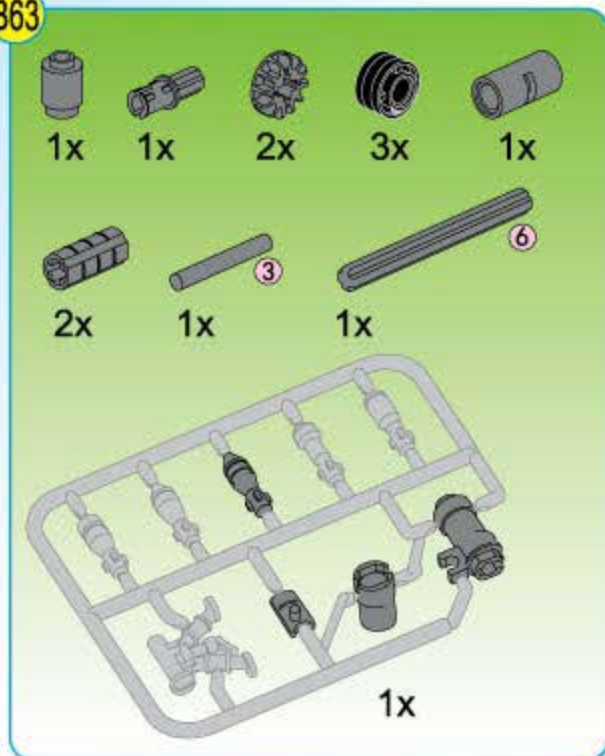
B62

B61

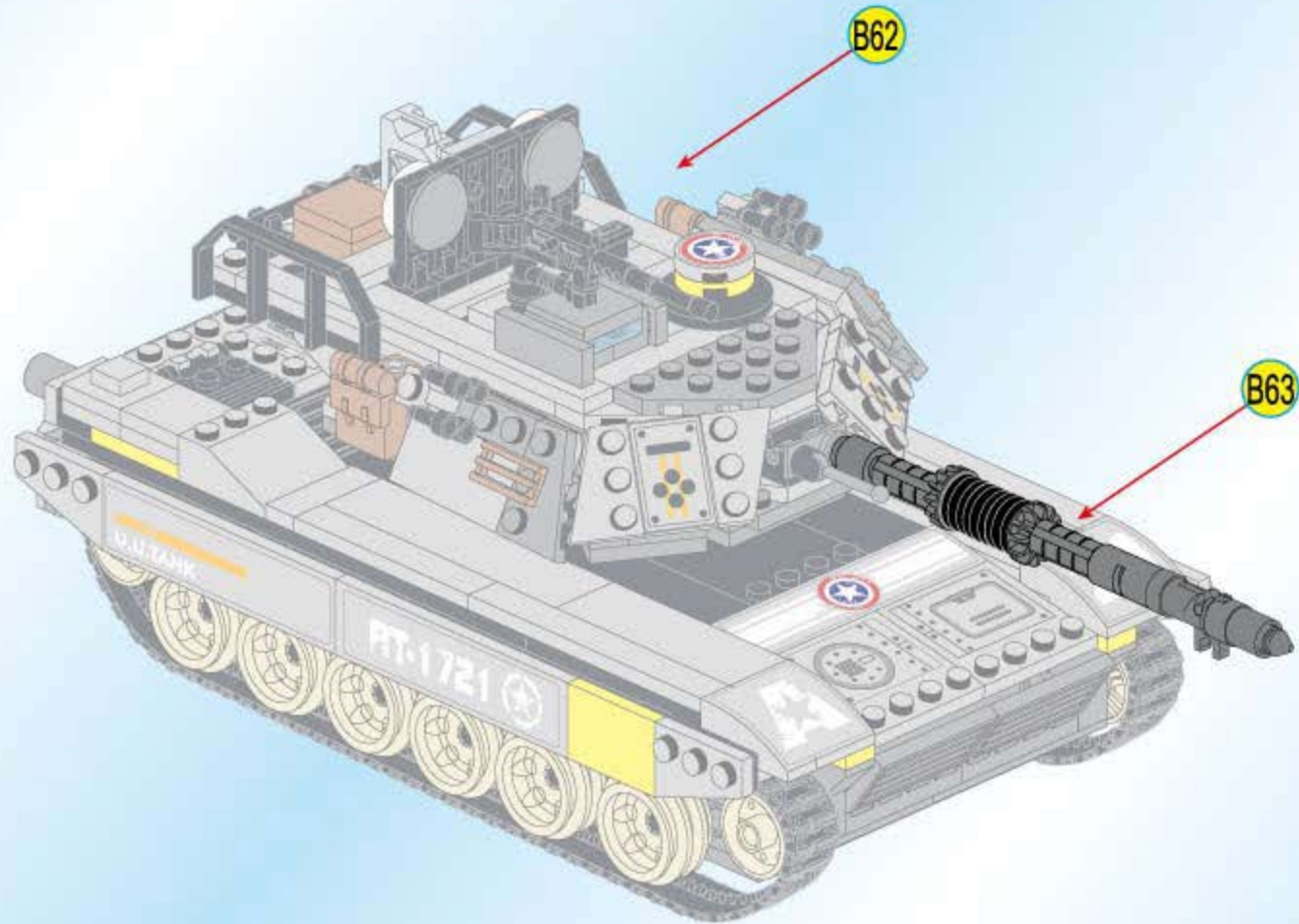


B38

B63



B64





TACTICAL ESPIONAGE ACTION COMBAT ZONE FIRE



1715 OPERATION NIGHTINGALE



1716 BATTLE ON THE SHOAL



1717 STEALTH UNDERWATER



1718 EMERGENCY MISSILE TRANSFER



1719 APACHE RAID



1720 COASTLINE CONFLICT



1723 SERPENT THE ESCORT CARRIER



1721 OVERLORD IS ON ITS WAY



1722 GO FOR IT! DESTROYER



1724 ENTERPRISE THE AIRCRAFT CARRIER