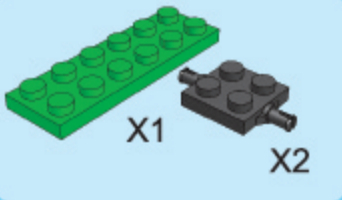


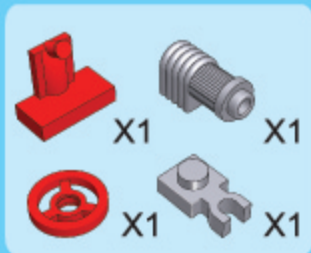
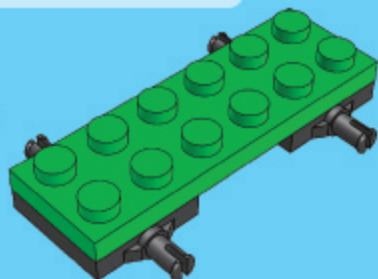
CITY

NO. 25101

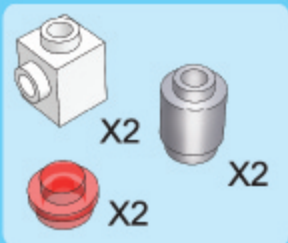
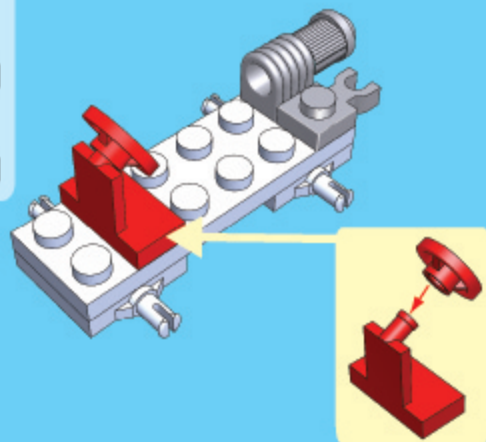
6+ AGES
CITY



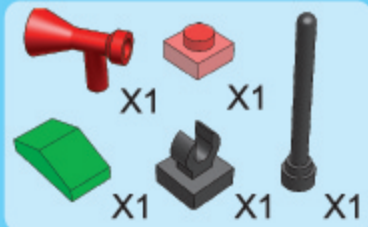
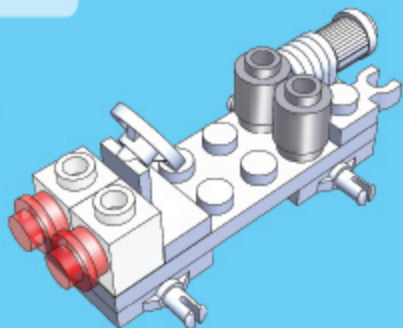
1



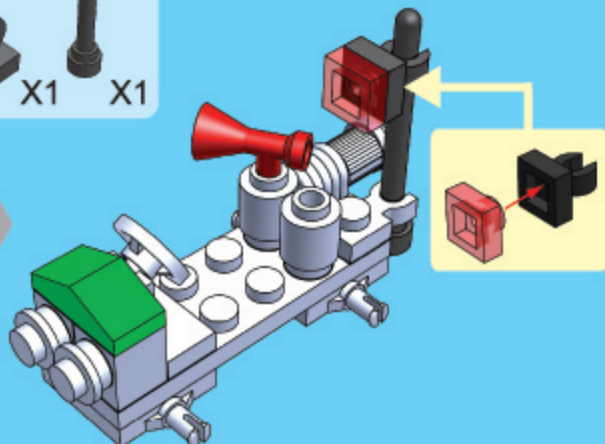
2



3



4



5

