

GB **COOKER HOOD** - User instructions

CZ **ODSAVAČ PAR** - Návod k použití

DK **EMHÆTTE** - Brugervejledning

FIN **LIESITUULETIN** - Käyttöohje

GR **ΑΠΟΡΡΟΦΗΤΗΡΑΣ ΣΕ ΕΚΔΟΣΗ ΑΠΟΡΡΟΦΗΣΗΣ** – Εγχειρίδιο χρήσης

H **ELSZÍVÓ KÜRTŐ** - Használati utasítás

N **AVTREKKSAPPE** - Bruksanvisning

PL **OKAP ZASYSAJĄCY** - Instrukcja obsługi

R **HOTĂ ASPIRANTĂ** - Manual de utilizare

RUS **ВЫТЯЖНОЙ КОЛПАК** - Руководство пользователя

S **SPISKÅPA** - Bruksanvisning

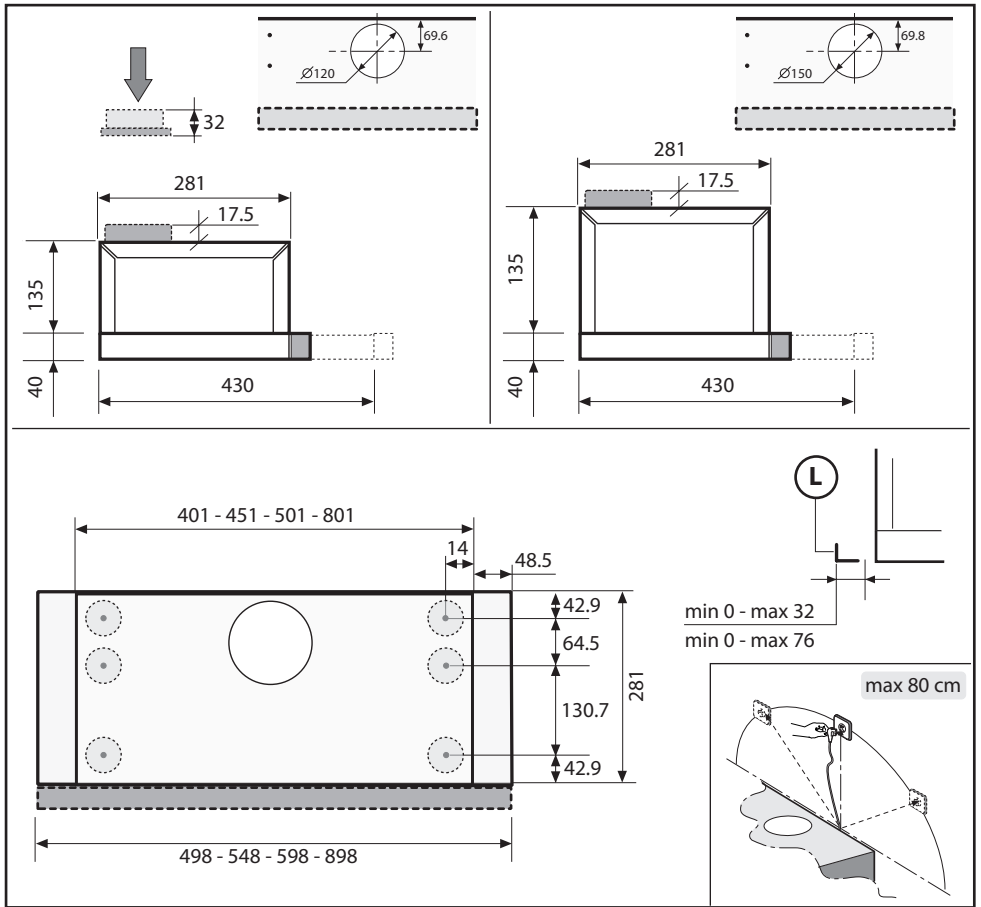


Fig.1

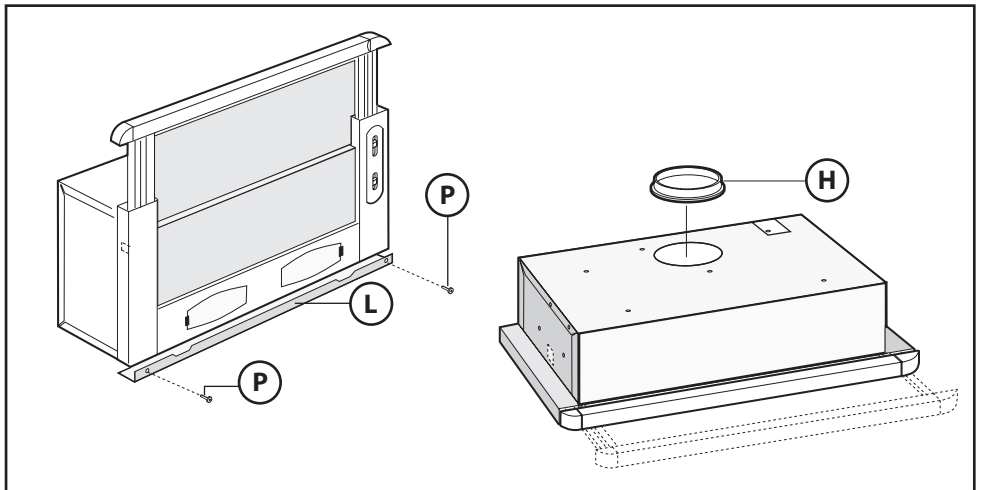
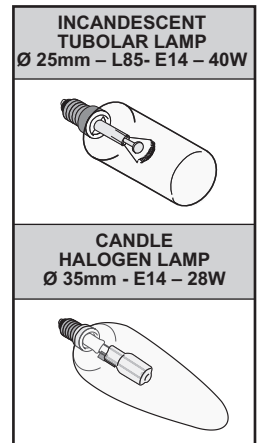
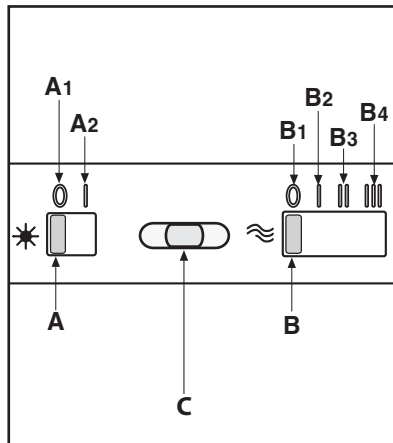
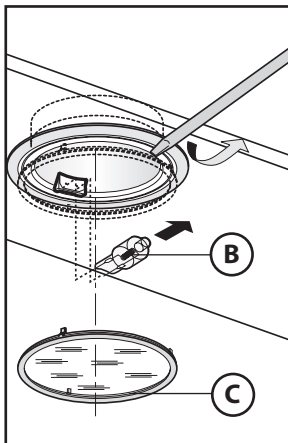
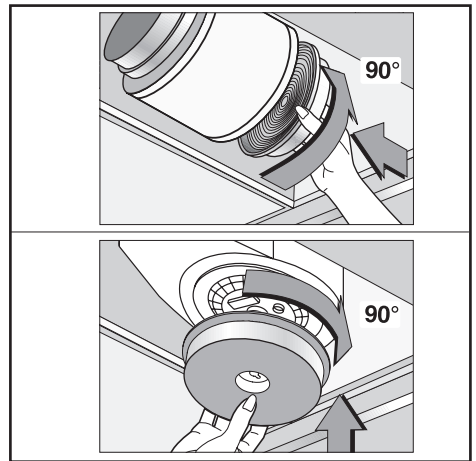
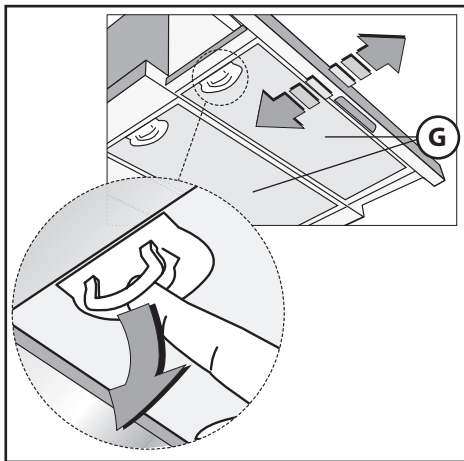
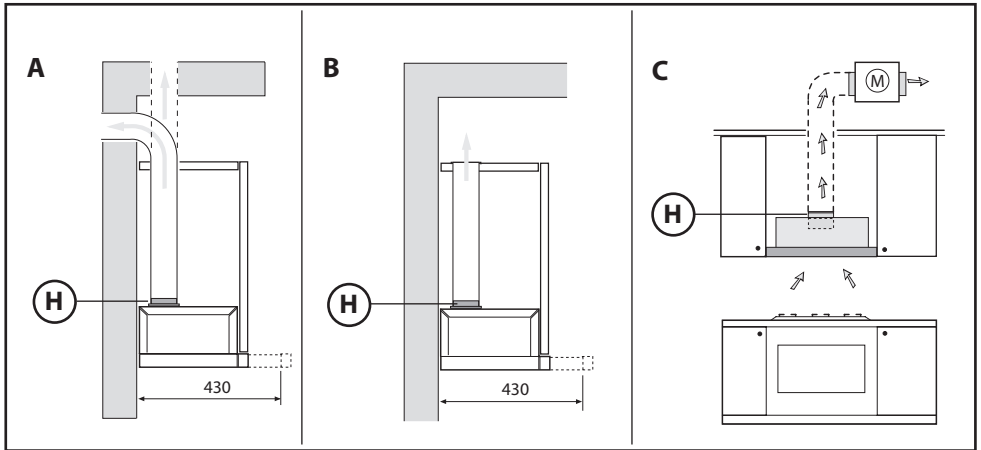


Fig.2



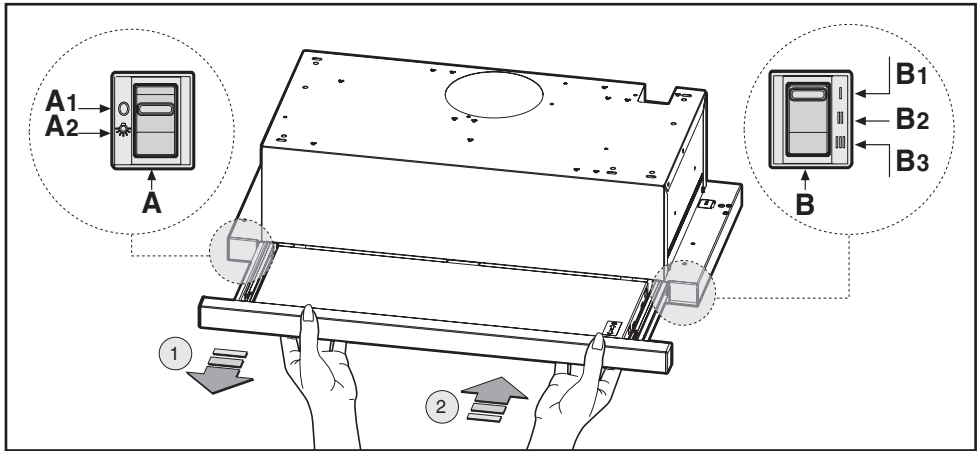


Fig.9

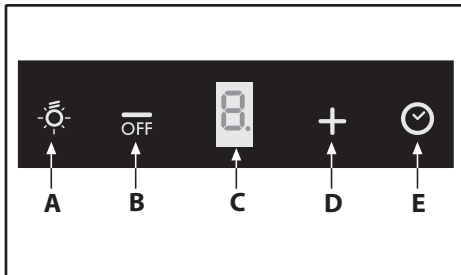


Fig.10

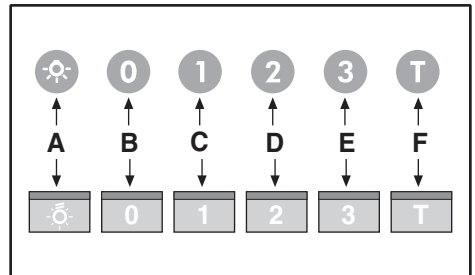


Fig.11

ENGLISH GB

GENERAL

Carefully read the following important information regarding installation safety and maintenance. Keep this information booklet accessible for further consultations. The appliance has been designed for use in the ducting version (air exhaust to the outside - Fig.3A), filtering version (air circulation on the inside - Fig.3B) or with external motor (Fig.3C).

SAFETY PRECAUTION

1. Take care when the cooker hood is operating simultaneously with an open fireplace or burner that depend on the air in the environment and are supplied by other than electrical energy, as the cooker hood removes the air from the environment which a burner or fireplace need for combustion. The negative pressure in the environment must not exceed 4Pa (4x10⁻⁵ bar). Provide adequate ventilation in the environment for a safe operation of the cooker hood. Follow the local laws applicable for external air evacuation.

Before connecting the model to the electricity network:
 -Control the data plate (positioned inside the appliance) to ascertain that the voltage and power correspond to the network and the socket is suitable. If in doubt ask a qualified

electrician.
 -If the power supply cable is damaged, it must be replaced with another cable or a special assembly, which may be obtained direct from the manufacturer or from the Technical Assistance Centre.
 -This device must be connected to the supply network through either a plug fused 3A or hardwired to a 2 fase spur protected by 3A fuse.

2. Warning!
In certain circumstances electrical appliances may be a danger hazard.
A) Do not check the status of the filters while the cooker hood is operating.
B) Do not touch bulbs or adjacent areas, during or straight after prolonged use of the lighting installation.
C) Flambé cooking is prohibited underneath the cooker hood.
D) Avoid free flame, as it is damaging for the filters and a fire hazard.
E) Constantly check food frying to avoid that the over-heated oil may become a fire hazard.
F) Disconnect the electrical plug prior to any maintenance.
G) This appliance is not intended for use by young children or infirm persons without supervision.
H) Young children should be supervised to ensure they do not play with the appliance.
I) There shall be adequate ventilation of the room when the rangehood is used at the same time as appliances

burning gas or other fuels.

L) There is a risk of fire if cleaning is not carried out in accordance with the instructions.

This appliance conforms to the European Directive EC/2002/96, Waste Electrical and Electronic Equipment (WEEE). By making sure that this appliance is disposed of in a suitable manner, the user is helping to prevent potential damage to the environment or to public health.



The symbol on the product or on the accompanying paperwork indicates that the appliance should not be treated as domestic waste, but should be delivered to a suitable electric and electronic appliance recycling collection point. Follow local guidelines when disposing of waste. For more information on the treatment, re-use and recycling of this product, please contact your local authority, domestic waste collection service or the shop where the appliance was purchased.

INSTALLATION INSTRUCTIONS

• Assembly and electrical connections must be carried out by specialised personnel.

• Wear protective gloves before proceeding with the installation.

• Electric Connection:

- The appliance has been manufactured as a class II, therefore no earth cable is necessary. The plug must be easily accessible after the installation of the appliance. If the appliance is equipped with power cord without plug, a suitably dimensioned omnipolar switch with 3 mm minimum opening between contacts must be fitted between the appliance and the electricity supply in compliance with the load and current regulations.

- The connection to the mains is carried out as follows:

BROWN = L line

BLUE = N neutral.

• If the hob is electric, gas, or induction, the minimum distance between the same and the lower part of the hood must be at least **65 cm**. If a connection tube composed of two parts is used, the upper part must be placed outside the lower part. Do not connect the cooker hood exhaust to the same conductor used to circulate hot air or for evacuating fumes from other appliances generated by other than an electrical source. Before proceeding with the assembly operations, remove the anti-grease filter(s) (Fig.4) so that the unit is easier to handle.

- In the case of assembly of the appliance in the suction version prepare the hole for evacuation of the air.

• We recommend the use of an air exhaust tube which has the same diameter as the air exhaust outlet hole. If a pipe with a smaller diameter is used, the efficiency of the product may be reduced and its operation may become noisier.

• If your appliance has been designed for use in habitations supplied with acentralised suction device perform the following operations:

- The switch controls opening and closure of a valve using a thermo-electrical device. By placing the switch in the **ON** position, after a minute, the valve opens rotating 90° allowing suction of the stale air. By placing the switch in the **OFF** position, the valve closes after 100 seconds.

• Installation:

The following instruction should be followed to carry out the

correct installation of the cooker hood:

1. Mounting of the cooker hood on the lower side of the cupboard.

2. Selection of the version (extraction Fig.3A or filtration Fig.3B).

• Fixing the hood to the lower part of the wall cabinet:

This type of appliance must be fitted inside a cabinet or inside another type of support structure. To fix it in place, use 4 screws which are suitable for the type of cabinet, making holes in accordance with the diagram shown in Fig.1. To fit the appliance correctly, align the front panel of the cooker hood with the cabinet door and adjust spacer **L** using screws **P** (Fig.2), then ensure the appliance meets the cabinet at the rear.

• Extraction through an outside wall:

The appliance expels the fumes through an outside wall or a duct. It is necessary to buy a telescopic pipe in accordance with the standards in use (inflammable) and connect it to flange **H** (Fig.3A).

• Recirculation:

To transform the cooker hood from the extraction version to the re circulating one ask your supplier for an activated carbon filter. The filter must be fitted to the extracting group cooker hood in the centre of the fan grille by twisting it by 90 degrees until it is gripped securely (Fig.5). For this operation remove the anti-grease filter(s) **G** (Fig.4). The clean air is returned into the room through a connecting tube passing inside the cupboard and connected to the ring **H** (Fig.3B).

USE AND MAINTENANCE

• We recommend that the cooker hood is switched on before any food is cooked. We also recommend that the appliance is left running for 15 minutes after the food is cooked, in order to thoroughly eliminate all contaminated air. The effective performance of the cooker hood depends on constant maintenance; the anti-grease filter and the active carbon filter both require special attention.

• **The anti-grease filter** is responsible retaining the grease particles suspended in the air, therefore it is subject to clogging with variable frequency according to the use of the appliance.

- To prevent the danger of possible fires, at least every 2 months one must wash the anti-grease filters by hand using non-abrasive neutral liquid detergents or in the dishwasher at low temperatures and on short cycles.

- After a few washes, colour alterations may occur. This does not give the right to claim their replacement.

• **The active carbon filters** are used to purify the air that is sent back into the room and its function is to mitigate the unpleasant odours produced by cooking.

- The non-regenerable active carbon filters must be replaced at least every 4 months. The saturation of the active charcoal depends on the more or less prolonged use of the appliance, on the type of kitchen and on the frequency with which anti-grease filter is cleaned.

• **Before remounting the anti-grease filters and the regenerable active charcoal filters it is important that they are completely dry.**

• **Clean the hood frequently, both internally and externally, using a cloth dampened with denatured alcohol or neutral liquid detergents that are non abrasive.**

• The lighting system is designed for use during cooking and not for the prolonged general lighting of the room. The prolonged use of the lighting system significantly decreases

the average duration of the bulbs.

- If the appliance is equipped with **courtesy lights** it is possible to use them for general room lighting for a prolonged amount of time.
- **Attention:** the non compliance with the hood cleaning warnings and with the replacement and cleaning of the filters entails risk of fires. One therefore recommends keeping to the suggested instructions.

• Replacing halogen light bulbs (Fig.6):

To replace the halogen light bulbs **B**, remove the glass pane **C** using a lever action on the relevant cracks. Replace the bulbs with new ones of the same type. **Caution:** do not touch the light bulb with bare hands.

• **Commands (Fig.7) slider** the key symbols are explained below:

- A** = Light switch
- A1** = Off key
- A2** = On key
- B** = Speed control
- B1** = Off key
- B2** = FIRST SPEED key
- B3** = SECOND SPEED key
- B4** = THIRD SPEED key
- C** = Gemma warning light key.

• Replacing the halogen/incandescent lamps (Fig.8):

Only use lamps of the same type and wattage installed on the device.

• **Commands (Fig.9) slider** the key symbols are explained below:

This hood is fitted with a **microswitch** which allows the activation of the motor speed) through the opening of the telescopic undercarriage. If the telescopic undercarriage is closed the motor speeds cannot be activated. This microswitch does not have an impact on the activation of the lights which must be switched on through the appropriate switch (see Fig.9A).

- A** = Light switch
- A1** = Off key
- A2** = On key
- B** = Speed control
- B1** = FIRST SPEED key
- B2** = SECOND SPEED key
- B3** = THIRD SPEED key.

Warning! If the telescopic undercarriage is closed with the speed set at 2, once it is re-opened, the hood will be reactivated with the same speed in use when the hood was closed.

• Commands (Fig.10):

Push-button A = On/off lights switch.

Push-button B = On/off cooker hood switch. The appliance switches on at speed level 1, if the cooker hood is on depress the push-button for 2 sec. to switch off the cooker hood. If the cooker hood is at speed level 1 it will not be necessary to depress the push-button to switch the cooker hood off. Decreases the motor speed.

Display C = Indicates the motor speed level selected and activates the timer.

Push-button D = Switches on the cooker hood. Increases the motor speed. Touching the key at 3rd speed, the intensive function runs for 10', then the appliance go back to work at the original speed. During this function the display blinks.

Key E = The Timer times the functions on activation for 15 minutes, after which they are switched off. The Timer is deac-

tivated by re-pressing **Key E**. When the Timer is activated the decimal point must flash on the display. The Timer cannot be activated if the intensive speed is functioning.

The "**clean air**" function is activated by pressing key **E** for 2 seconds when the appliance is switched off. This switches the motor on for 10 minutes every hour at the first speed. During functioning a rotary movement of the peripheral segments must be visualised on the display. When this time has passed the motor switches off and the fixed letter "**C**" must be visualised on the display until the motor re-starts after 50 minutes for another 10 minutes and so on. Press any key apart from the light keys to return to normal functioning. Press key **E** to deactivate the function.

• Anti-grease/active charcoal filters saturation:

-When display item **C** flashes, at a speed where it alternates with the letter **F** (e.g. **1** and **F**), the anti-grease filters must be washed.

-When display item **C** flashes, at a speed where it alternates with the letter **A** (e.g. **1** and **A**), the active carbon filters must be replaced or washed depending on the type of filter.

After the clean filter has been positioned correctly, the electronic memory must be reset by pressing button **A** for approximately **5 seconds**, until the indication **F** or **A** shown on the display **C** stops flashing.

• **Commands luminous (Fig.11)** the key symbols are explained below:

- A** = LIGHT
- B** = OFF
- C** = SPEED I
- D** = SPEED II
- E** = SPEED III
- F** = AUTOMATIC STOP TIMER - 15 minutes (*)

If your appliance has the **INTENSIVE** speed function, from speed THREE, press key **E** for 2 seconds and it will be activated for 10 minutes after which it will return to the previously set speed. When the function is active the LED flashes. To interrupt it before the 10 minutes have elapsed, press key **E** again. Some models allow activating this function even with speed one and two.

By pressing key **F** for two seconds (with the hood switched off) the "**clean air**" function is activated. This function switches the appliance on for ten minutes every hour at the first speed. As soon as this function is activated the motor starts up at the first speed for ten minutes. During this time key **F** and key **C** must flash at the same time. After ten minutes the motor switches off and the LED of key **F** remains switched on with a fixed light until the motor starts up again at the first speed after fifty minutes and keys **F** and **C** start to flash again for ten minutes and so on. By pressing any key for the exclusion of the hood light the hood will return immediately to its normal functioning (e.g. if key **D** is pressed the "**clean air**" function is deactivated and the motor moves to the 2nd speed straight away. By pressing key **B** the function is deactivated).

(*) The "**AUTOMATIC STOP TIMER**" delays stopping of the hood, which will continue functioning for 15 minutes at the operating speed set at the time this function is activated.

• Anti-grease/active charcoal filters saturation:

-When the **A** key flashes with a **2 second** frequency the anti-grease filters must be washed.

-When the **A** key flashes with a **0.5 second** frequency the active carbon filters must be replaced or washed depending

on the type of filter.

Once the clean filter has been put back one must reset the electronic memory by pressing the **A** key for approximately **5 seconds** until it stops flashing.

THE MANUFACTURER DECLINES ALL RESPONSIBILITY FOR EVENTUAL DAMAGES CAUSED BY BREACHING THE ABOVE WARNINGS.

ČESKY



ÚVOD

Přečtěte si pozorně obsah návodu, protože poskytuje důležité informace týkající se bezpečné instalace, používání i údržby zařízení. Uchovejte si návod pro jakoukoliv budoucí potřebu. Přístroj je určen k odsávání (odvádění vzduchu ven - Obr.3A), filtrování (recyklace vzduchu v místnosti - Obr.3B) nebo k požití s externě umístěným motorem (Obr.3C).

BEZPECNOSTNÍ OPATŘENÍ

1. Vyžaduje se opatrnost, jestliže jsou současně v činnosti odsávač par a jiný hořák nebo tepelné zařízení závisející na vzduchu místnosti a napájené jinou energií než elektrickou, protože odsávač par spotřebovává vzduch z okolí, který hořák nebo jiné tepelné zařízení potřebují ke spalování. Negativní tlak nesmí překročit 4Pa (4×10^{-5} bar). K bezpečnému provozu je tedy nutná odpovídající ventilace místnosti. Při odvádění vzduchu do vnějšího prostředí je nutné se řídit platnými předpisy Vaší země.

Před napojením modelu na elektrickou síť:

- Zkontrolujte tabulku s údaji umístěnou uvnitř přístroje a ověřte si, že napětí a výkon odpovídají místní síti a rovněž zásuvka je vhodná. V případě jakékoliv pochyby se poraďte s kvalifikovaným elektrikářem.
- Je-li napájecí kabel poškozen, musí být nahrazen speciálním kabelem nebo sadou, které jsou k dispozici u výrobce nebo v jeho servisním středisku.
- Připojte zařízení k napájení prostřednictvím zástrčky s pojistkou 3A nebo ke dvěma vodičům dvou fází, chráněným pojistkou 3A.

2. UPOZORNĚNÍ!

V některých situacích mohou být elektrická zařízení zdrojem nebezpečí.

- A) Nekomolujte stav filtrů, zatímco je odsavač v činnosti.**
- B) Nedotýkejte se žárovek a přilehlých prostor během dlouhodobého použití osvětlení nebo bezprostředně po něm.**
- C) Je zakázáno připravovat jídla na plameni pod odsavačem.**
- D) Vyhněte se použití volných plamenů, protože poškození filtry a mohou způsobit požár.**
- E) Udržujte neustále pod kontrolou smažení jídel, aby se zabránilo vznícení rozpáleného oleje.**
- F) Před zahájením údržby odpojte zástrčku ze zásuvky elektrického rozvodu.**
- G) Zařízení není určeno pro použití dětmi nebo nesprávnými osobami bez dozoru.**
- H) Dohlížejte na děti, abyste si byli jisti, že si nehrají se zařízením.**
- I) Když je odsavač používán současně se zařízením spalujícími plyn nebo jiná paliva, místnost se musí vhodně větrat.**

L) Když nebudou řádně provedeny úkony údržby, existuje riziko vzniku požáru.

Toto zařízení je označeno v souladu s Evropskou směrnicí 2002/96/ES, Waste Electrical and Electronic Equipment (WEEE). Tím, že se uživatel ujistí o správné likvidaci tohoto výrobku, přispívá k předcházení případným negativním následkům na životní prostředí a na zdraví.



Symbol na výrobku nebo na přiložené dokumentaci poukazuje na to, že se s tímto výrobkem nesmí zacházet jako s běžným domovním odpadem, ale musí se odeslat do vhodné sběrně určené pro recyklaci elektrických a elektronických zařízení. Zařízení se musíte zbavit v souladu s místními předpisy pro likvidaci odpadu. Podrobnější informace o zacházení s tímto výrobkem, jeho opětovným použitím a recyklací můžete získat, když se obrátíte na příslušný místní úřad, sběrnou službu domovního odpadu nebo obchod, ve kterém jste výrobek zakoupili.

NÁVOD K INSTALACI

- **Operace spojené s montáží a elektrická napojení musí být provedeny pouze odborným personálem.**
- **Používat ochranné rukavice pro provádění operací montáže.**

• Elektrické zapojení:

- Zařízení je vyrobeno v II. třídě, a proto žádný vodič nesmí být uzemněn.

Po instalaci zařízení musí být zástrčka snadno přístupná. V případě, že je zařízení vybaveno kabelem bez zástrčky, je pro jeho připojení do elektrického rozvodu třeba mezi zařízením a elektrický rozvod zapojit omnilární stykač s minimální vzdáleností kontaktů 3 mm, navržený pro příslušnou zátěž a odpovídající platným normám.

- Napojení k elektrické síti musí být provedeno následovně:

HNĚDÁ = L vodič

MODRÁ = N neutrální vodič.

- Minimální vzdálenost mezi opěrnou plochou varných nádob na varném zařízení a nejnižším bodem kuchyňského krytu musí být alespoň **65 cm**. Vývod odsavače nesmí být napojen na vývod, ve kterém cirkuluje teplý vzduch, nebo který je používán k odvádění kouře ze zařízení napájených jinou energií než elektrickou. Před zahájením montáže vyjměte z odsavače tukový filtr (Obr.4). Uspadněte si tak manipulaci s přístrojem.
- V případě montáže přístroje ve verzi odsavače je třeba připravit otvor k evakuaci vzduchu.

- Doporučuje se použít trubku pro odvádění vzduchu se stejným průměrem jako hrdlo výstupu vzduchu. Použití redukce by mohlo negativně ovlivnit vlastnosti výrobku a zvýšit hloučnost.

- Pokud byl váš přístroj projektován pro používání v bytech vybavených centralizovaným odsávacím systémem, je třeba provést následující operace:

- Pomocí vypínače termoelektrického zařízení dochází k otevření a zavírání ventilu. Pokud umístíte vypínač do pozice **ON**, po uplynutí asi jedné minuty se ventil otevře otočením o 90 stupňů a umožní tak odsání zkaženého vzduchu. Pokud umístíte vypínač do pozice **OFF**, ventil se po 100 vteřinách uzavře.

• Instalace:

Ke správné instalaci je třeba postupovat podle následujících

schémata:

1. Montáž odsavače na dolní části skříňky.
2. Volba verze (odsávací Obr.3A či filtrovací Obr.3B).

• Montáž odsavače do dolní části skříňky:

Tento typ přístroje musí být vsazen do skříňky či jiné podpory. K upevnění použijte 4 šroubů vhodných pro tento typ nábytku a vyvrtejte otvory podle schématu na (Obr.1). Ke správné montáži srovnejte čelní stranu odsavače s dvířky skříňky a upravte měřič vzdálenosti L Šrouby P (Obr.2), tak aby se na zadní straně přístroj překrýval se skříňkou.

• Odsávací verze:

Tímto způsobem instalace přístroj vyfukuje páry do vnějšíku obvodovou stěnou či existující kanalizací. Za tímto účelem je zapotřebí zakoupit teleskopickou zední hadici, podle typu stanoveného platnými normami, ohnivzdornou, spojit ji s přírubou, která byl odsavač vybaven výrobcem H (Obr.3A).

• Filtrovací verze:

K přeměně odsavače z verze na odsávání použitého vzduchu na verzi filtrující si u Vašeho prodejce vyžádejte filtr s aktivním uhlíkem. Filtry musejí být zachyceny na odsávací elementy umístěné uvnitř odsavače, s tím, že musejí být umístěny do prostředku a otáčeny o 90° stupňů až do zárazu (Obr.5). K provedení této operace je zapotřebí odstranit mřížku G (Obr.4). Vzduch je opět vypouštěn do prostředí spojovací hadicí, procházející skříňkou a spojenou se spojovacím prstencem H (Obr.3B).

POUŽITÍ A ÚDRŽBA

• Doporučujeme uvést zařízení do činnosti ještě před zahájením přípravy jakéhokoliv jídla. Doporučujeme ponechat zařízení v činnosti i po dobu 15 minut po ukončení přípravy jídla, aby byl kompletně odveden zapáchající vzduch. Správná činnost odsavače je podmíněna správnou a nepřetržitou údržbou; zvláštní pozornost je třeba věnovat protitukovému filtru a filtru s aktivním uhlím.

• **Protitukový filtr** má za úkol zachycovat mastné částice nacházející se ve vzduchu, proto je v průběhu proměnné doby vystaven ucipávání; tato doba závisí na používání zařízení.

- Abyste předešli případnému nebezpečí požáru, je nutné nejméně jednou za dva měsíce nutně propláchnout filtry proti mastnotě v ruce pomocí neutrálních neabrazivních čistících prostředků nebo v myčce na nádobí při nízkých teplotách v krátkém mycím programu.

- Po několika mytích může dojít ke změně barvy. Tento jev neopravňuje k reklamaci po eventuální výměně.

• **Filtry s aktivním uhlíkem** slouží pro pročištění vzduchu, který se vypouští do prostředí a pohlcují nepříjemné zápachy, které vznikají během vaření.

- Aktivní uhlíkové filtry, které nelze regenerovat, je zapotřebí měnit každé 4 měsíce. Saturace aktivního uhlíku závisí více-méně od délky používání přístroje, typu kuchyně a pravidelnosti, se kterou se provádí čištění filtru proti mastnotě.

• **Před opětovným namontováním filtru proti mastnotě a aktivních uhlíkových filtrů, které lze regenerovat, je důležité, aby byli pořádně suché.**

• **Opakovaně čistíte odsavač, zevnitř i zvenčí, s použitím hadru navlhčeného v denaturovaném lihu nebo neabrazivních tekutých čistících prostředcích.**

• Osvětlení je navrženo pro použití během vaření a ne pro dlouhodobější použití za účelem osvětlení okolního prostředí. Dlouhodobější použití osvětlení výrazně snižuje průměrnou životnost žárovek.

• Pokud je přístroj vybaven osvětlením prostředí, toto může

být používáno pro všeobecné dlouhodobé osvětlování daného prostředí.

• **Pozor:** nedodržívání pokynů k čištění odsavače a výměny a čištění filtrů zapříčiní rizika požáru. Doporučuje se proto dodržovat tyto pokyny.

• Výměna halogenových žárovek (Obr.6):

Při výměně halogenových žárovek B sejměte sklíčko C po jeho nadzvednutí v místě příslušných otvorů. Žárovky nahradte novými žárovkami stejného druhu. **Upozornění:** nedotýkejte se žárovky holými rukama.

• Ovládací povel (Obr.7) slider – symbologie je následující:

A = Svetelný spínač

A1 = Tlačítko vypnout

A2 = Tlačítko zapnout

B = Kontrola rychlosti

B1 = Tlačítko vypnout

B2 = Tlačítko PRVNÍ RYCHLOST

B3 = Tlačítko DRUHÁ RYCHLOST

B4 = Tlačítko TŘETÍ RYCHLOST

C = Tlačítko Gemma kontrola.

• Výměna výbojkových žárovek/halogenových žárovek (Obr.8):

Používejte pouze žárovky stejného typu a výkonu jako žárovky nainstalované na přístroji.

• Ovládací povel (Obr.9) slider - symbologie je následující:

Tento odsavač je vybaven **mikrosplínačem**, který umožňuje aktivovat rychlosti motoru prostřednictvím otevření teleskopického vozíku. Když je teleskopický vozík zavřený, nebude možné aktivovat rychlosti motoru.

Tento mikrosplínač neovlivňuje aktivaci světel, která musí být rozsvícena prostřednictvím příslušného vypínače (viz Obr.9A).

A = Svetelný spínač

A1 = Tlačítko vypnout

A2 = Tlačítko zapnout

B = Kontrola rychlosti

B = Tlačítko PRVNÍ RYCHLOST

B3 = Tlačítko DRUHÁ RYCHLOST

B4 = Tlačítko TŘETÍ RYCHLOST.

Upozornění! Když dojde k zavření teleskopického vozíku s rychlosti nastavenou na hodnotu 2, při jeho opětovném otevření bude odsavač uveden do činnosti stejnou provozní rychlostí, při které byl vypnut.

• Ovládání (Obr.10):

Tlačítko A = Rozsvítí/zhasne světla.

Tlačítko B = Zapne/vypne odsavač. Přístroj je uveden do chodu při první rychlosti. Je-li odsavač zapnutý, vypněte jej stisknutím tlačítka na 2 sek. Pokud se odsavač nachází ve fázi první rychlosti, není nezbytně dlouze stisknout tlačítko za účelem vypnutí. Snižuje se rychlost motoru.

Displej C = Ukazuje zvolenou rychlost motoru a uvedení do chodu časového spínače.

Tlačítko D = Zapne odsavač. Zvyšuje rychlost motoru. Stiskne-li se tlačítko od třetí rychlosti, je nastavena intenzivní funkce na 10 vteřin, pak se přístroj vrátí do fáze pracovní rychlosti v okamžiku uvedení do chodu. Během této funkce displej bliká.

Tlačítko E = Časovač slouží k časovému ovládání funkcí v průběhu 15 minut po jeho aktivaci; po uplynutí uvedené doby se tyto funkce vypnou. Vypnutí časovače se provádí stisknutím tlačítka E. Aktivace funkce časovače musí být signalizována

blíkaním desetinné tečky na displeji. Je-li aktivována intenzivní rychlost, aktivace časovače není možná.

Stisknutím tlačítka **E** na 2 sekundy při vypnutém zařízení se aktivuje funkce "**clean air**". V rámci této funkce se motor zapne každou hodinu na 10 minut a během této doby se bude otáčet první rychlostí. Během jeho činnosti bude na displeji zobrazen rotační pohyb obvodových segmentů. Po uplynutí uvedené doby dojde k vypnutí motoru a na displeji musí být zobrazeno písmeno "**C**"; aniž by blikalo, dokud nebude po uplynutí dalších 50 minut motor znovu spuštěn na 10 minut, a tak dále. Pro návrat k normálnímu provozu stiskněte jakékoli tlačítko kromě tlačítek světla. Pro deaktivaci funkce stiskněte tlačítko **E**.

• Nasycení protitukových filtrů/filtrů s aktivním uhlím:

- Když displej **C** bliká a střídavě zobrazuje provozní rychlost a písmeno **F** (např. **1 a F**), je třeba vyčistit protitukové filtry.

- Když displej **C** bliká, mění rychlost provozu s písmenem **A** (např. **1 a A**) znamená to, že uhlíkové filtry je třeba vyměnit anebo vyčistit v závislosti od typu filtru.

Po vložení čistého filtru je třeba vynulovat elektronickou paměť stisknutím tlačítka **A** na dobu přibližně **5 sek.**, dokud signalizace **F** nebo **A** na displeji **C** nepřestane blikat.

• Ovládání světelné následuje přehled symbolů (Obr.11):

Tlačítko A = OSVĚTLENÍ

Tlačítko B = VYPNUTÍ

Tlačítko C = PRVNÍ RYCHLOST

Tlačítko D = DRUHÁ RYCHLOST

Tlačítko E = TŘETÍ RYCHLOST

Tlačítko F = ČASOVÝ SPÍNAČ AUTOMATICKÉ VYPNUTÍ 15 minut (*)

Pokud je vaše zařízení již vybaveno funkcí **VYSOKÉ** rychlosti, pak při přepnutí na třetí rychlost a stisku tlačítka **E** po dobu 2 sekund bude na deset minut tato vysoká rychlost aktivována, a potom se zařízení vrátí k provozu na dříve nastavenou rychlost. Když je funkce aktivní, kontrolka LED bliká. Pro přerušení režimu před uplynutím 10 minut znovu stiskněte tlačítko **E**. U některých modelů je možno funkci aktivovat také na první a druhou rychlosti.

Po stisknutí tlačítka **F** po dobu 2 s (kryt je vypnut) bude aktivována funkce "**clean air**". Tato funkce zapne motor na deset minut každou hodinu na první rychlost. Jakmile bude tato funkce aktivována, motor bude uveden do chodu na první rychlost po dobu 10 s, během které budou blikat současně tlačítka **F** a **C**. Po uplynutí této doby se motor vypne a led tlačítka **F** zustane osvětlen až do doby, kdy po 50 minutách bude znovu motor uveden do chodu na první rychlost a led **F** a **C** znovu začnou blikat po 10 minut a tak dále. Stisknutím kteréhokoli tlačítka, kromě tlačítek osvětlení, se odsavač vrátí ke svému normálnímu fungování (např. stisknutím tlačítka **D** se deaktivuje funkce "**clean air**" a motor se nastaví na 2^o rychlost; stisknutím tlačítka **B** se funkce deaktivuje).

(*) Funkce "**ČASOVÝ SPÍNAČ AUTOMATICKÉ VYPNUTÍ**" opožďuje vypnutí odsavače, který bude pokračovat ve funkci pracovní rychlosti, která byla nastavena v okamžiku zapnutí této funkce, 15 minut.

• Nasycení protitukových filtrů/filtrů s aktivním uhlím:

- Blikání tlačítka **A** frekvencí **2 sek.** poukazuje na potřebu umytí protitukových filtrů.

- Když tlačítko **A** bliká s frekvencí **0,5 sek.**, filtry s aktivním uhlíkem je třeba umýt anebo vyměnit v závislosti od typu filtru.

Po vložení čistého filtru je třeba vynulovat elektronickou paměť stisknutím tlačítka **A** na dobu přibližně **5 sek.**, dokud tlačítko nepřestane blikat.

VÝROBCE ODMÍTÁ JAKOUKOLIV ZODPOVĚDNOST ZA ŠKODY ZPŮSOBENÉ NEDODRŽENÍM UVEDENÝCH UPOZORNĚNÍ.

DANSK

DK

GENERELLE OPLYSNINGER

Læs omhyggeligt indholdet af denne brugsanvisning, da den giver vigtige oplysninger vedrørende sikkerheden ved installation, brug og vedligeholdelse. Opbevar brugsanvisningen til senere brug. Apparatet er udarbejdet til at kunne fungere; udsugning (udledning af luft til eksterne omgivelser Fig.3A) filtrerende (intern cirkulation af luft Fig.3B) og med udvendig motor (Fig.3C).

OPLYSNINGER VEDRØRENDE SIKKERHED

1. Udvis forsigtighed hvis der samtidigt med emhætten er en varmekilde eller flamme i funktion, som er afhængig af luften i omgivelserne og forsynet med energi, der ikke er elektrisk, eftersom emhætten fjerner den luft fra omgivelserne, som flammen eller varmekilden har brug for til forbrænding. Det negative tryk i lokalet må ikke overstige 4 Pa (4x10⁻⁵ bar). For størst mulig sikkerhed, sørg for en passende ventilation af rummet. Hvad angår udsugningen til eksterne omgivelser følg de gældende normer.

Før modellen tilsluttes el-nettet:

- Kontrollér informationsetiketten (placeret indeni apparatet), for at sikre, at spændingen og styrken er i overensstemmelse med el-nettet og at stikkontakterne er egnede. Hvis De er i tvivl, konsultér en kvalificeret elektriker.

- Hvis forsyningsledningen er beskadiget, skal den udskiftes med en ledning eller en særlig samling fra fabrikanten eller et autoriseret servicecenter.

- Tilslut forsyningsenheden ved hjælp af et stik med en 3A sikring eller til de to tofasedninger, som er beskyttet af en 3A sikring.

2. Pas på!

I nogle situationer kan elektriske apparater udgøre en fare.

A) Undgå at kontrollere filtrens tilstand mens emhætten er i funktion.

B) Rør ikke ved pærer eller tilstødende områder under eller lige efter længerevarende brug af belysningsanlægget.

C) Det er ikke tilladt at tilberede madvarer for åben ild under emhætten.

D) Undgå åben ild, da det kan beskadige filtrene og medføre fare for brand.

E) Hold altid øje med maden under friturestegning for at undgå, at olien antændes.

F) Træk stikket ud af stikkontakten, inden der foretages vedligeholdelse.

G) Apparatet må ikke bruges af børn eller af personer, der ikke har de mentale eller fysiske egenskaber til korrekt brug, uden overvågning.


H) Hold øje med børnene for at sikre, at de ikke leger med apparatet.

I) Når emhætten anvendes samtidigt med apparater, der

bruger gas eller andre brændstoffer, skal rummet have tilstrækkelig udluftning.

L) Hvis rengøring ikke udføres i overensstemmelse med anvisningerne, kan det medføre brandfare.

Dette apparat er udviklet i overensstemmelse med det europæiske direktiv 2002/96/EF om affald af elektrisk og elektronisk udstyr (WEEE). Ved at sikre sig, at dette produkt bortskaffes på korrekt vis, bidrager brugeren til at forhindre eventuelle negative miljømæssige og sundhedsmæssige påvirkninger.

 Symbolet på produktet eller på dokumentationen, der følger med produktet, angiver, at produktet ikke skal behandles som husholdningsaffald, men at det skal bortskaffes på passende vis på genbrugsstationer til elektriske og elektroniske apparater. Apparatet skal bortskaffes i overensstemmelse med de gældende regler for bortskaffelse af affald. For yderligere oplysninger om håndtering, genvinding og genbrug af dette produkt, bedes man kontakte de lokale myndigheder, teknisk forvaltning eller forretningen, hvor produktet er købt.

INSTRUKTION VED INSTALLERING

• Monteringen og udførelsen af de elektriske forbindelser, skal udføres af specialiseret personale.
• Inden man går frem med monteringen, skal man iføre sig beskyttelseshandsker.

• Den elektriske forbindelse:

- Apparatet er udarbejdet i klasse II, derfor skal der ikke tilsluttes et kabel til jordforbindelsen. Man skal nemt kunne nå ind til stikket efter installation af apparatet. Hvis apparatet er udstyret med ledning uden stik, skal man ved tilkobling til strømforsyningen sørge for, at der mellem apparatet og strømforsyningen er installeret en flerpolet afbryder med en åbning på minimum 3mm mellem kontakterne, som passer til belastningen og overholder de gældende regler.

- Tilslutning til el-nettet skal udføres som følgende:

BRUN = L Fase
BLÅ = N Neutral.

• Minimums distancen mellem kogeoverfladen, målt fra selve kogepladerne, og den nederste del af emhætten, skal være mindst **65 cm**. Hvis der anvendes et forbindelsesrør bestående af to eller flere dele, skal den øverste del placeres udenpå den nederste. Tilslut ikke udledningen fra emhætten med et rør, hvori der cirkulerer varm luft eller som anvendes til at udlede røg fra apparater, der ikke bruger elektrisk energi. Inden man begynder monteringen fjernes filtret (Fig.4) for at gøre håndteringen af apparatet lettere.

- I de tilfælde, hvor apparatet skal installeres i en udsugende version, forberedes åbningen til udledning af luft.

• Det anbefales at anvende en luftudsugningslange med samme diameter som luftudgangshullet. Hvis der anvendes en mindre slange, kan det forringe produktets ydelse og medføre øget støj.

• Hvis Deres apparat skal placeres i en bolig, som er udstyret med en centraliseret udsugning, gør som følgende:

- Afbryderen styrer åbningen og lukningen af en ventil ved hjælp af en termoelektrisk anordning. Drej afbryderen i **ON** position, efter et minut åbnes ventilen med en drejning på 90° og igangsætter dermed udsugningen af den dårlige luft. Ved at dreje afbryderen i **OFF** position lukkes ventilen efter

100 sekunder.

• Installation:

Ved installation af hættens skal nedenstående fremgangsmåde følges:

1. Montering af hættens på nederste del af stativet.
2. Valg af versionen (sugende Fig.3A eller filtrerende Fig.3B).

• Montering af hættens på nederste del af hylden:

Denne type apparat skal sættes ind ved en hylde eller en anden støtte. Til fastgøring skal man bruge 4 skruer, der er egnet til møblets type, og bore hullerne i overensstemmelse med oversigten på (Fig.1). For at udføre monteringen korrekt skal man stille hættens forside på ret linje med hyldens låge og indstille afstandsstykket **L** ved hjælp af skrue **P** (Fig.2) og herefter indregulere apparatets bagside med hylde.

• Sugende installation:

Ved denne installationstype udstøder apparatet dampene udenfor gennem en ydervæg eller en allerede eksisterende kanalisering. Det er til dette formål nødvendigt at købe et teleskop-murrør af en type, der er i overensstemmelse med de gældende regler (ikke antændelig), og herefter forbinde den til flangen **H** der følger med leveringen (Fig.3A).

• Filtrerende udgave:

For at ændre hættens fra at fungere som sugeenhed til at fungere som filterenhed skal De rette henvendelse til Deres forhandler for at få de aktive kulfiltre. Filtrene skal påsættes sugeenheden i hættens og skal centrereres i samme og drejes 90 grader indtil blokering (Fig.5). For at kunne udføre denne handling skal man fjerne ristene **G** (Fig.4). Luften sendes tilbage til omgivelserne gennem et forbindelsesrør, der passerer gennem møblet og er forbundet til samleringen **H** (Fig.3B).

BRUG OG VEDLIGEHOLDELSE

• Det anbefales, at apparatet sættes i funktion, inden man begynder tilberedningen af madvarer. Det anbefales, at lade emhætten køre i 15 minutter efter endt tilberedning, så al mados suges ud. Korrekt funktion af emhætten afhænger af en korrekt og jævnlig vedligeholdelse. Man skal især være opmærksom med at udskifte fedtfilteret og det aktive kulfilter.

• **Fedtfilteret** har til opgave at tilbageholde de fedtpartikler, der findes i luften. Filteret vil derfor blive tilstoppet med tiden, alt efter hvor ofte emhætten anvendes.

- For at forebygge faren for eventuelle brande skal fedtfilteret mindst hver 2. måned vaskes i hånden med flydende neutrale ikke slibende rengøringsmidler eller i opvaskemaskine ved lav temperatur og kort program.

- Efter nogle vaske kan der forekomme farvændringer. Dette giver ikke ret til at kræve udskiftning af filtrene.

• **De aktive kulfiltre** renses luften, der genudledes i omgivelserne, og tjener til at dæmpe ubehagelige lugte, som dannes ved madtilberedning.

- De ikke-regenererende aktive kulfiltre skal udskiftes mindst hver 4. måned. Mætningen af det aktive kul afhænger af den mere eller mindre længerevarende brug af emhætten, af hvilken slags mad der tilberedes og af regelmæssigheden af rengøringen af fedtfilteret.

• **Det er vigtigt, at fedtfilterene og de regenererende aktive kulfiltre er helt tørre, inden de genmonteres.**

• **Emhætten skal rengøres jævnligt, både indvendigt og udvendigt, med en klud opvædet i denatureret alkohol eller et neutralt, ikke slibende rengøringsmiddel.**

• Lyset er beregnet til brug under tilberedning af mad og ikke til generel oplysning af lokalet. Længerevarende brug af lyset

vil reducere lyspærenes gennemsnitlige levetid betydeligt.
• Hvis apparatet er forsynet med rumoplysning, kan dette anvendes til længerevarende generel oplysning af lokalet.
• **Pas på:** manglende udførsel af udskiftning og rengøring af filterne medfører brandfare. Det anbefales derfor at overholde de foreslåede instruktioner.

• Udskiftning af halogenpærer (Fig.6):

For at udskifte halogenpærerne **B** skal man fjerne glasset **C** ved at trykke på rillerne.

Udskift pærerne med pærer af samme type.

Vær opmærksom: rør ikke ved pæren med bare hænder.

• Betjening-senhed taster (Fig.7) slider symbolbetydningen er som følger:

A = lysafbryder

A1 = Off knap

A2 = On knap

B = Hastighedskontrol

B1 = Off knap

B2 = FØRSTE HASTIGHED knap

B3 = ANDEN HASTIGHED knap

B4 = TREDJE HASTIGHED knap

C = Kontrolllys for Gemma knap.

• Udskiftning af glødepærer/halogenpærer (Fig.8):

Der må kun anvendes pærer af samme type og med samme watt-tal som dem, der er installeret på apparatet.

• Betjening-senhed taster (Fig.9) slider symbolbetydningen er som følger:

Emhætten er udstyret med en mikroafbryder, der gør det muligt at aktivere motorhastigheden gennem åbningen i den teleskopiske ramme. Hvis den teleskopiske ramme er lukket, kan motorhastigheden ikke aktiveres.

Denne mikroafbryder indvirker ikke på aktivering af lyset, som tændes på en anden kontakt (se Fig.9A).

A = lysafbryder

A1 = Off knap

A2 = On knap

B = Hastighedskontrol

B1 = FØRSTE HASTIGHED knap

B2 = ANDEN HASTIGHED knap

B3 = TREDJE HASTIGHED knap.

Vær opmærksom! Hvis den teleskopiske ramme lukkes med hastigheden indstillet på 2, og når den åbnes igen, genaktiverer emhætten den samme hastighed, som der var indstillet til, før den blev slukket.

• Betjening-senhed (Fig.10):

Tast A = Tænder/slukker lysene.

Tast B = Tænder/slukker emhætten. Apparatet tændes på 1. hastighed. Hvis emhætten er tændt skal man trykke på tasten i 2 sek. for at slukke. Hvis emhætten er indstillet på 1. hastighed er det ikke nødvendigt at holde tasten trykket for at slukke. Sænker motorhastigheden.

Display C = Viser den valgte motorhastighed og aktivering af timer'en.

Tast D = Tænder emhætten. Øger motorhastigheden. Ved tryk på tasten fra 3. hastighed tændes den intensive funktion i 10 minutter, hvorefter apparatet vender tilbage til at fungere med den almindelige hastighed, der var indstillet det øjeblik, hvor den intensive funktion blev tændt. Under denne funktion blinker displayet.

Tast E = Når timeren aktiveres, indstiller den funktionerne til

at fortsætte i 15 minutter, hvorefter de slukkes. Timeren slås fra ved at trykke på tasten **E**. Når funktionen Timer er tændt, blinker decimaltallet på displayet. Hvis funktionen til indstilling af hastighed er aktiveret, fungerer funktionen Timer ikke.

Hvis tasten **E** trykkes ned i 2 sekunder, når emhætten er slukket, aktiveres funktionen "**clean air**". Denne funktion tænder motoren i 10 minutter for hver time på første hastighedstrin. Når funktionen er aktiveret, viser displayet en drejende bevægelse af de omgivende segmenter. Når tiden er gået, slukker motoren igen, og på displayet vises bogstavet "**C**", indtil motoren igen efter 50 minutter aktiveres i 10 minutter og så videre. For at vende tilbage til normal funktion trykkes på en hvilken som helst knap bortset fra lysknappen. Funktionen deaktiveres ved at trykke på tasten **E**.

• Mætning af fedtfilter/aktive kulfiltere:

-Når displayet **C** blinker, og ændrer blæserhastigheden, med bogstavet **F** (f.eks. **1** og **F**), skal fedtfilterene rengøres.

-Når displayet **C** blinker og veksler mellem blæserhastigheden og bogstavet **A** (f.eks. **1** og **A**), skal de aktive kulfiltere vaskes eller udskiftes afhængigt af filtertypen.

Når filteret er sat på plads igen, skal den elektroniske hukommelse nulstilles ved at holde tasten **A** nede i ca. **5 sek.** indtil bogstaverne **F** eller **A** stopper med at blinke på displayet **C**.

• Betjening-senhed lysende (Fig.11) er følgende tegnforklaring gældende:

A = Tast for BELYSNING

B = Tast for OFF

C = Tast for FØRSTE HASTIGHED

D = Tast for ANDEN HASTIGHED

E = Tast for TREDJE HASTIGHED

F = Tast for TIMER AUTOMATISK STOP 15 minutter (*)

Hvis Deres apparat har funktionen **INTENSIV** hastighed, slås denne til i 10 minutter, hvorefter den slår tilbage på den tidligere indstillede hastighed, ved fra TREDJE hastighed at holde tasten **E** inde i cirka 2 sekunder. LED-lyset blinker, når funktionen er slået til. Tryk på tasten **E** igen for at afbryde funktionen inden de 10 minutter er gået. På nogle modeller er det også muligt at aktivere funktionen ved første og anden hastighed.

Ved at trykke på knappen **F** i 2 sekunder (ved slukket emhætte) aktiveres funktionen "**clean air**". Denne funktion tænder motoren i 10 minutter pr. time ved laveste hastighed. Så snart funktionen er igangsat starter motoren ved første hastighed i 10 minutter, og under dette forløb skal lamperne ved knap **F** og knap **C** blinke samtidigt. Når tiden er gået standser motoren og kontrollampen ved knap **F** forbliver tændt uden at blinke indtil der er gået endnu 50 minutter, hvor motoren igen starter ved første hastighed, og lamperne ved **F** og **C** igen begynder at blinke samtidigt i 10 minutter, og så fremdeles. Ved at trykke hvilken som helst tast, undtagen lysene, vil emhætten gå tilbage til standard funktion (f. eks. ved at trykke på tast **D** deaktiveres funktion "**clean air**" og motoren indstilles på 2^o hastighed; ved at trykke på tast **B** deaktiveres denne funktion).

(*) Funktionen "**TIMER AUTOMATISK STOP**" forsinker standsning af hætten, som vil fortsætte med at være tændt (i 15 minutter) med den driftshastighed, der var i kraft i det øjeblik funktionen blev tilsluttet.

• Mætning af fedtfilter/aktive kulfiltere:

-Når tasten **A** blinker med **2 sek.** mellemrum, skal fedtfilterene rengøres.

-Når tasten **A** blinker med **0,5 sek.** mellemrum, skal de aktive

mukailtne vaske eller udskiftes afhængigt af filtertypen. Nlr filteret er sat pl plads igen, skal den elektroniske hukommelse nulstilles ved at holde tasten **A** nede i ca. **5 sek.** indtil den stopper med at blinke.

FABRIKANTEN FRALÆGGER SIG ETHVERT ANSVAR FOR SKADER FORÅRSAGET AF MANGLENDE OVERHOLDELSE AF OVENSTÅENDE ADVARSLER.

SUOMI

FIN

YLEISTÄ

Lue ohjekirja huolellisesti, sillä se sisältää tärkeätä tietoa laitteen turvallisesta asenuksesta, käytöstä ja huollosta. Säilytä ohjekirja tulevaa tarvetta varten. Laite on suunniteltu toimimaan joko imeväinä versiona (ilman poisto ulos - Kuva 3A), suodattavana versiona (ilman kierrätys sisällä - Kuva 3B) tai ulkoisella moottorilla toimivana versiona (Kuva 3C).

TURVAOHJEITA

1. Erityistä huomiota tulee kiinnittää siihen, ettei liesituuletin ole käytössä samanaikaisesti kuin tulipesä tai liesi, jotka ovat riippuvaisia huoneilmasta ja jotka käyttävät joltain muuta energianlähdettä kuin sähköä. Liesituuletin poistaa huoneilasta ilmaa, jota tulipesä tai liesi tarvitsevat polttamiseen. Huone-tilan negatiivinen ilmanpaine ei saa ylittää 4Pa (4x10-5 bar). Huone-tilat on siis tuuletettava asianmukaisesti tuulettimen toiminnan varmistamiseksi. Ulkoista poistoa koskien tulee noudattaa asianomaisessa maassa voimassaolevia määräyksiä.

Ennen kuin yhdistät mallin sähköverkkoon:

- Huomioi sen tunnuskilvessä (löytyy laitteen sisäpuolelta) olevat tiedot tarkistaen että virran jännite ja voima vastaavat verkostoa, ja että pistorasia on sopiva. Jos olet epävarma ota yhteys pätevään sähkömieheen.
- Jos liitäntäjohto on vahingoittunut, se on vaihdettava laitteen valmistajan tai tämän teknisen huoltohenkilöstön toimesta uuteen liitosjohtoon tai sitä vastaavaan.
- Liitä laite sähkönsyöttöön pistokkeella, jossa on sulake (3 A), tai kaksivaiheisen järjestelmän kahteen johtoon, jotka on suojattu sulakkeella (3 A).


2. Varoitus!

Tietyissä tilanteissa sähkölaitteet voivat aikaansaada vaaratilanteen.

- A) Älä tarkista suodattimien tilaa, kun liesituuletin on toiminnassa.**
- B) Älä kosketa lampuihin tai niiden lähialueille valaistuslaitteiston käytön aikana tai välittömästi sen käytön jälkeen.**
- C) On kielletty liekittävästä ruokia liesituulettimen alla**
- D) Vältä avotulta, koska ne vahingoittavat suodattimia ja voivat aiheuttaa tulipaloja.**
- E) Tarkkaile jatkuvasti öljyssä paistettavia ruokia, jotta kiehuva öljy ei syty tuleen.**
- F) Irrota pistoke pistorasiasta ennen huollon suorittamista.**
- G) Laitetta ei ole suunniteltu lasten tai vajaakykyisten käytettäväksi ilman valvontaa.**
- H) Valvo lapsia, jotta he eivät leiki laitteen kanssa.**
- I) Kun liesituuletinta käytetään samanaikaisesti laitteiden kanssa, jotka polttavat kaasua tai muita polttoaineita, huolehdi tilojen riittävästä ilmanvaihdosta.**
- L) Jos puhdistustoimenpiteitä ei suoriteta ohjeiden**

mukaisesti, on olemassa tulipalovaara.

Tämä laite on merkitty EU:n Waste Electrical and Electronic Equipment (WEEE) -direktiivin 2002/96/EC mukaisesti. Käyttäjää osallistuu mahdollisten terveydelle ja ympäristölle haitallisten seurausten ehkäisemiseen hävittäessään laitteen asianmukaisella tavalla.

 Laitteen pakkauksessa mukana oleviin asiakirjoihin merkitty -merkki osoittaa ettei kyseinen laite kuulu talousjätteisiin, vaan se on varta vasten toimitettava sähkö- ja elektroniikkalaiteromun keräyspisteeseen kierrätystä varten. Hävittä laite noudattamalla paikkakuntasi jätehuoltoa koskevia säädöksiä. Lisätietoja tämän laitteen keräyksestä, käsittelystä ja kierrätyksestä ota yhteys paikkakuntasi jätehuoltoon, talousjätteiden keräyspisteeseen tai liikkeeseen josta laite on hankittu.

ASENNUSOHJEET

- **Asennus ja sähköliitäntä on suoritettava siihen päteväen erikoishenkilöstön toimesta.**
- **Käytä suojakäsineitä ennen kuin aloitat asennustoimenpiteiden suorittamisen.**

• Sähköinen liitäntä:

-Laite on rakennettu II-luokassa, eivätkä kaapelit sen vuoksi saa olla liitettynä maajohtoon.

Pistoke tulee olla helposti saavutettavissa laitteen asennuksen jälkeen.

Mikäli laite on varustettu johdolla ilman pistoketta, sen liittämiseksi sähköverkkoon tulee laitteen ja verkon väliin asentaa moninapainen virrankatkaisija, jossa kontaktien minimiväli on 3 mm ja joka on mitoitettu kuormituksen mukaan ja joka on voimassa olevien määräysten mukainen.

-Liitännät sähköverkkoon on tehtävä seuraavalla tavalla:

RUSKEA = **L** vaihe
SININEN = **N** neutraali.

- Keittopinnan kattilankannattimien ja hellakuvun minimiäisyyden on oltava vähintään **65 cm**. Mikäli joudutaan käyttämään kaksi- tai useampiosaisia liitosputkea, on ylemmän osan oltava alemman ulkopuolella. Poistoilmaa ei saa johtaa kuumailmahormiin tai hormiin, jota käytetään savun poistamiseen laitteista, jotka toimivat jollakin muulla energianlähteellä kuin sähköllä. Ennen kuin alat koota laitetta, irrota rasvasuodatin/-suodattimet (Kuva 4): näin laitetta on helpompi käsitellä.

-Jos asennetaan imevä hellakupu on ensin tehtävä ilmanpoistoaukko.

- Suositellaan käyttämään ilmanpoistoputkea, jonka halkaisija vastaa ilman ulostuloaukon mittoja. Pientenävien sovituskappaleiden käyttö voi alentaa tuotteen toimintatuloista ja lisätä meluisuutta.

- Jos laitteeseen on suunniteltu käytettäväksi asunnoissa joiden ilman-imukanava on keskeinen menettely seuraavasti:

-Katkaisin aukaisee ja sulkee toiminnan sähkö-termostaatti laitteen välityksellä. Kun asennat katkaisimen asentoon **ON**, venttiili aukeaa minuutin kuluttua kiertäen 90° ja sallii tynpeän ilman poiston. Asettaen katkaisimen asentoon **OFF**, venttiili sulkeutuu 100.n sekunnin kuluttua.

• Asennus:

Tuuletin asennetaan ohjeiden mukaisesti seuraavalla tavalla:

1. Tuulettimen kiinnittäminen seinäkaapin alaosaan.
2. Imukupu- tai suodatinkupuversion Kuva 3B valitseminen

• Tuulettimen kiinnittäminen seinäkaapin alaosaan:

Laite kiinnitetään seinäkaappiin tai muuhun vastaavaan tukeen. Kiinnittä laite neljällä huonekalutyypille sopivalla ruuvilla ja tee tarvittavat reiät ohjeiden mukaisesti (Kuva 1). Aseta kuvun etuosa samansuuntaiseksi kaapin oven kanssa, säädä uloketuki **L** ruuvien **P** avulla (Kuva 2) ja lopuksi kiinnitä kupu paikalleen takaosastaan.

• Imevä versio:

Tämän tyyppisessä asennuksessa laite tyhjentää höyryt ulos ulkoseinän tai olemassa olevan kanavan kautta. Tämä vuoksi on tarpeen hankkia ilman teleskooppinen poistoletku, joka vastaa voimassa olevia määräyksiä paloturvallisuudesta ja se tulee liittää toimitettuun laippaan **H** (Kuva 3A).

• Suodatinkupuversio:

Jos haluat vaihtaa laitteen imukupuversioista suodatinkupuversioiksi, kysy jälleenmyyjältäsi aktiivihiihisuodattimia. Suodattimet on sijoitettava kuvun sisällä olevan imuysikön keskelle kiertämällä ne kiinni aina 90° asteeseen asti (Kuva 5). Irrota ensin kalvot **G** (Kuva 4). Ilma poistuu ulos laippaan **H** kytketyn seinäkaapin läpi kulkevan liitosputken kautta (Kuva 3B).

KÄYTTÖ JA HUOLTO-OHJEET

• Suosittellaan käynnistämään laite ennen minkä tahansa ruuan kypsennyksen aloittamista. On suositeltavaa antaa laitteen toimia vielä 15 minuuttia käytön jälkeen, jotta ruoanvalmistuksesta aiheutuneet käryt saadaan kokonaan pois huonetilasta. Liesituulettimen hyvä toiminta riippuu oikeasta ja säännöllisestä huollosta; erityistä huomiota tulee kiinnittää rasvasuodattimeen ja aktiivihiihisuodattimeen.

• **Rasvasuodattimen** tehtävänä on pidättää ilmaa leijuvat rasvahiukkaset ja siksi se on altis tukkeutumaan ajanjaksoissa, jonka pituus vaihtelee laitteen käytön mukaan.

- Tulipalovaaran ennaltaehkäisemiseksi, pese rasvasuodattimet käsin vähintään 2 kuukauden välein neutraaleja ja hankaamattomia pesuaineita käyttämällä tai astianpesukoneessa alhaisessa lämpötilassa ja lyhyellä pesuohjelmalla.

- Muutamin pesukertojen jälkeen voi syntyä värinmuutoksia. Tämä ei oikeuta valituksen kautta osien mahdolliseen vaihtoon.

• **Aktiivihiihisuodattimia** käytetään ilman puhdistamiseen, joka palautetaan huoneeseen ja jonka tehtävänä on vähentää ruoanvalmistuksen aikana syntyviä epämiellyttäviä hajuja.

- Ei regeneroituvat aktiivihiihisuodattimet tulee vaihtaa korkeintaan 4 kuukauden välein. Aktiivihiihen kyllästyminen riippuu laitteen käyttöajasta, ruoanvalmistustavasta ja rasvasuodattimen puhdistustiheydestä.

• **Ennen rasvasuodattimien ja regeneroitavien aktiivihiihisuodattimien asentamista on tärkeää, että ne ovat kuivuneet kunnolla.**

• **Puhdista liesituuletin säännöllisesti sekä sisältä että ulkoa käyttäen riepua, joka on kostutettu denaturoidulla alkoholilla tai nestemäisillä neutraaleilla ei-hankaavilla pesuaineilla.**

• Valaistuslaitteisto on suunniteltu käytettäväksi ruokien kypsennyksen aikana eikä pitkäaikaiseen ympäristön yleiseen valaisuun. Valaistuksen pitkäaikainen käyttö vähentää huomattavasti lampujen keskimääräistä käyttöikää.

• Jos laite on varustettu hajavalolla, sitä voidaan käyttää pitkäaikaiseen ympäristön yleiseen valaisuun.

• **Varoitus:** liesituulettimen puhdistukseen ja vaihtoon sekä suodattimien puhdistukseen kuuluvien ohjeiden noudat-

tamatta jättäminen aiheuttaa tulipalovaaran. Näin ollen suosittelaa annettujen ohjeiden noudattamista.

• Halogeenilamppujen vaihtaminen (Kuva 6):

Halogeenilamppujen **B** vaihtamiseksi ota pois lasi **C** käyttäen viputukena asianmukaisia aukkoja. Vaihda tilalle vastaavaan tyyppiset lamput. **Varoitus:** älä koske lampuun paljain käsin.

• **Ohjaimet (Kuva 7) slider** seuraa merkkiselvitteet:

A = Valonkatkaisin

A1 = Off –kiinni

A2 = On-päällä

B = Nopeudensäädin

B1 = Off – kiinni

B2 = YKKÖSNOPEUS

B3 = KAKKOSNOPEUS

B4 = KOLMOSNOPEUS

C = Gemma- ilmais-in.

• Hehkulamppujen/halogeenilamppujen vaihtaminen (Kuva 8):

Käytä vain laitteeseen asennettujen kaltaisia ja wattiluvultaan samoja lampuja.

• **Ohjaimet (Kuva 9) slider**seuraa merkkiselvitteet:

Tämä liesituuletin on varustettu **mikrokytkimellä**, jonka avulla voidaan säätää moottorin nopeutta ja joka tulee näkyviin avaamalla teleskooppinen liukulaatikko. Jos liukulaatikko on kiinni, moottorin nopeutta ei voida säätää.

Kyseen mikrokytkin ei kytkä päälle valoja, jotka tulee syyttää asianmukaisen katkaisijan avulla (katso kuva 9A).

A = Valonkatkaisin

A1 = Off –kiinni

A2 = On-päällä

B = Nopeudensäädin

B2 = YKKÖSNOPEUS

B3 = KAKKOSNOPEUS

B4 = KOLMOSNOPEUS.

Varoitus! Jos teleskooppinen liukulaatikko suljetaan nopeuden 2 ollessa päällä, sen uudelleen avaamisen yhteydessä liesituuletin käynnistyy samalla työskentelynopeudella, jossa se oli sammutettaessa.

• **Ohjaimet (Kuva 10):**

Näppäin A = Syyttää/sammuttaa valot.

Näppäin B = Käynnistää/sammuttaa kuvun. Laite käynnistyy ensimmäiselle nopeudelle. Jos liesikupu on päällä paina näppäintä 2 sek. ajan ja sen toiminta lakkaa. Jos laite toimii ykkösnopeudella, näppäintä ei tarvitse pitää alas painettuna laitetta sammutettaessa. Laskee moottorin nopeutta.

Näyttö C = Ilmoittaa valitun moottorin nopeuden ja ajastimen aktiivoinnin.

Näppäin D = Käynnistää kuvun. Nostaa moottorin nopeutta. Painamalla näppäintä kolmannelle nopeudella laite toimii täydellä teholla 10 sekunnin ajan, sen jälkeen laite alkaa toimia aktiividulla nopeudella. Tämän toiminnon ajan näytön valo vilkkuu.

Näppäin E = Ajastin ajastaa toiminnot käynnistämishetkellä 15 minuutin ajaksi. Sen jälkeen toiminnot sammuvat. Ajastin lakkaa toimimasta kun painat uudelleen näppäintä **E**. Kun ajastintoiminto on päällä desimaalipisteen on välkyttävä näytöllä. Jos tehonopeustoiminto on päällä ajastinta ei voida käynnistää.

Painamalla näppäintä **E** 2 sekunnin ajan, laitteen ollessa sammuksissa, "**clean air**"-toiminto käynnistyy. Tämä toiminto käynnistää moottorin joka tunti, 10 minuutin ajaksi

yykkönopeudella. Toiminnan aikana näytön reunoilla tulee näkyä pyörivä liike. Tämän ajan kuluttua moottori sammuu ja näytöllä tulee näkyä "C"-kirjain seuraavien 50 minuutin ajan kunnes moottori taas käynnistyy seuraaviksi 10 minuutiksi ja niin edelleen. Normaalityöintään palaamiseksi paina mitä tahansa näppäintä valonäppäintä lukuun ottamatta. Kytke toiminto pois päältä painamalla E -näppäintä.

• Rasva-/aktiivihiihisuodattimien täyttyminen:

-Kun näyttö C vilkkuu ja siihen tulevat näkyviin vuorotellen toimintanopeus ja kirjain F (esim. 1 ja F), rasvasuodattimet tulee pestä.

-Kun näyttöllä C vilkkuu vuorotellen käyttönopeus ja kirjain A (esim. 1 ja A) aktiivihiihisuodattimet on vaihdettava tai pestävä suodatintyyppiin mukaan.

Kun puhdas suodatin on liitetty, tulee elektroninen muisti nollata painaen painiketta A noin 5 sekunnin ajan, kunnes näytön C ilmoitus F tai A lakkaa vilkkumasta.

• Ohjaimet valolla varustetut (Kuva 11):

A = Valaistuksen painike

B = OFF

C = Ensimmäisen nopeuden painike

D = Toisen nopeuden painike

E = Kolmannen nopeuden painike

F = Automaattiajastin (15 min.) (*)

Jos laitteeseesi kuuluu INTENSIIVINEN nopeus, KOLMANNES-TA nopeudesta lähtien pitämällä E näppäintä E painettuna noin 2 sekunnin ajan se aktivoituu 10 minuutiksi, jonka jälkeen se palaa edellä asetettuun nopeuteen. Kun toiminto on päällä, LED-valo vilkkuu. Jos se halutaan keskeyttää ennen kuin 10 minuuttia on kulunut umpeen, paina näppäintä E uudelleen. Joissakin malleissa toiminto voidaan aktivoida myös ensimmäisellä ja toisella nopeudella.

Jos painallat näppäintä F n.2 sek. (tuulettimen ollessa pois päältä), käynnistät toiminnon "clean air"/"Clean air" käynnistää tuulettimen kymmeneksi minuutiksi tunnin väliajoin alimmalla kierrosnopeudella. Jos valitset tämän toimintamuodon laite käynnistyy kymmeneksi minuutiksi joiden aikana välkehtivät näppäinten F ja C. n valomerkit. Kymmenen minuutin jakson päätyttyä moottori pysähtyy ja vain näppäimen F valomerkki jää päälle kunnes 50.nen minuutin kuluttua moottori käynnistyy uudelleen ja näppäimien F ja C valomerkit välkehtivät jne. Minkä tahansa näppäimen painaminen valonäppäintä lukuun ottamatta palauttaa liesituulettimen normaalityöintään (esim. jos painan näppäintä D "clean air"-toiminto kytkeytyy pois ja moottori asettuu 2-nopeudelle; painamalla näppäintä B toiminto kytkeytyy pois).

(*) "AUTOMAATTIAJASTIN" pysäyttää liesituulettimen 15 min. viiveellä. Tuuletin jatkaa toimintaansa lähtönopeudellaan 15 min ajan painikkeen painamisen jälkeen.

• Rasva-/aktiivihiihisuodattimien täyttyminen:

-Kun näppäin A vilkkuu 2 sekunnin välein, rasvasuodattimet tulee pestä.

-Kun näppäin A vilkkuu 0,5 sekunnin välein, aktiivihiihisuodattimet tulee pestä tai vaihtaa suodatintyyppiin perusteella. Kun puhdas suodatin on liitetty, tulee elektroninen muisti nollata painaen painiketta A noin 5 sekunnin ajan, kunnes se lakkaa vilkkumasta.

LAITTEEN VALMISTAJA EI OLE VASTUUSSA VAHINGOISTA, JOTKA OVAT AIHEUTUNEET YLLÄMAINITTUJEN OHJEIDEN LAIMINLYÖNNISTÄ.

ΓΕΝΙΚΑ

Διαβάστε προσεκτικά το περιεχόμενο των οδηγιών, διότι παρέχει σημαντικές υποδείξεις που αφορούν την ασφάλεια της εγκατάστασης της χρήσης και της συντήρησης. Φυλάξτε το φυλλάδιο για ενδεχόμενες συμβουλές. Η συσκευή σχεδιάστηκε για χρήση σε έκδοση απορρόφησης (εκκένωση αέρα προς το εξωτερικό Εικ.3Α), διήθησης (ανακύκλωση αέρα στο εσωτερικό Εικ.3Β) ή με εξωτερικό κινητήρα (Εικ.3C).

ΥΠΟΔΕΙΞΕΙΣ ΑΣΦΑΛΕΙΑΣ

1. Προσοχή σε περίπτωση που λειτουργούν ταυτόχρονα απορροφητήρας απορρόφησης και καυστήρας ή μια εστία που εξαρτούνται από τον αέρα του περιβάλλοντος και τροφοδοτούνται από ενέργεια όχι ηλεκτρική διότι ο απορροφητήρας απορροφώντας αφαιρεί από το περιβάλλον τον αέρα που έχουν ανάγκη για την καύση ο καυστήρας ή η εστία. Η αρνητική πίεση στο χώρο δεν πρέπει να ξεπερνά τα 4PA (4x10-5bar). Για σίγουρη ασφάλεια λειτουργία του απορροφητήρα, οφείλεται να υπάρχει κατάλληλος αερισμός στο χώρο. Για την εξωτερική εκκένωση ακολούθησε τις ισχύοντες προδιαγραφές της χώρας.

Πριν συνδέσετε το μοντέλο στο ηλεκτρικό δίκτυο:

-Ελέγξτε την πινακίδα στοιχείων (που βρίσκεται στο εσωτερικό της συσκευής) για να βεβαιωθείτε ότι η τάση και η ισχύς της συσκευής αντιστοιχούν στο ηλεκτρικό σας δίκτυο καθώς και για την καταλληλότητα του ηλεκτρικού βύσματος. Σε περίπτωση δυσκολιών επικοινωνήστε με έναν ειδικευμένο ηλεκτρολόγο.

-Αν το καλώδιο τροφοδοσίας είναι χαλασμένο, πρέπει να αντικατασταθεί από ένα καλώδιο ή ένα ειδικό σύστημα, διαθέσιμο από τον κατασκευαστή ή την υπηρεσία του τεχνικής υποστήριξης.

-Συνδέστε τη διατάξη στην τροφοδοσία μέσω ενός βύσματος με ασφάλεια 3A ή στα δύο καλώδια του διφασικού προστατευόμενα από μια ασφάλεια 3A.

2. ΠΡΟΣΟΧΗ!

Σε ορισμένες περιστάσεις οι ηλεκτρικές συσκευές μπορεί να αποτελούν κίνδυνο.

A) Μην ελέγχετε την κατάσταση των φίλτρων όσο ο απορροφητήρας είναι σε λειτουργία.

B) Μην αγγίζετε τις λυχνίες ή τις γειτονικές περιοχές κατά ή αμέσως μετά την παρατεταμένη χρήση της εγκατάστασης φωτισμού.

C) Απαγορεύεται να μαγειρεύετε τρόφιμα σε φλόγα κάτω από τον απορροφητήρα.

D) Αποφεύγετε ελεύθερες φλόγες διότι προκαλούν ζημιά στα φίλτρα και μπορούν να προκαλέσουν πυρκαγιάς.

E) Να διατηρείτε συνεχώς υπό έλεγχο το θνήγισμα των τροφίμων για να μη πάρει φωτιά το καυτό λάδι.

F) Αποσυνδέστε το βύσμα από την ηλεκτρική πρίζα πριν προχωρήσετε στη συντήρηση.

G) Η συσκευή δεν προορίζεται για να χρησιμοποιείται από παιδιά ή άτομα ανίκανα χωρίς επιτήρηση.

H) Να επιτηρείτε τα παιδιά για να είστε βέβαιοι ότι δεν παίζουν με τη συσκευή.

I) Όταν ο απορροφητήρας χρησιμοποιείται ταυτόχρονα με συσκευές που καίνε αέριο ή άλλα καύσιμα, ο χώρος πρέπει να αερίζεται δέοντως.

L) Αν οι εργασίες καθαρισμού δεν εκτελούνται σύμφωνα με τις οδηγίες, υπάρχει κίνδυνος να προκληθεί πυρκαγιά.

Η συσκευή αυτή είναι χαρακτηρισμένη σύμφωνα με την Ευρωπαϊκή Οδηγία 2002/96/EC, Waste Electrical and Electronic Equipment (WEEE). Ο χρήστης με το να διαθέτει το προϊόν αυτό ως απόρριμμα με τον ενδεδειγμένο τρόπο συμβάλει στην αποφυγή αρνητικών συνεπειών για το περιβάλλον και την υγεία.



Το σύμβολο στο προϊόν ή στην τεκμηρίωση που το συνοδεύει δείχνει ότι το προϊόν αυτό δεν πρέπει να αντιμετωπιστεί ως απόρριμμα οικιακό αλλά πρέπει να παραδίδεται σε κατάλληλα σημεία συλλογής για την ανακύκλωση ηλεκτρικών και ηλεκτρονικών συσκευών. Διαθέστε το ως απόρριμμα τηρώντας τους κατά τόπους κανονισμούς για τη διάθεση των απορριμμάτων. Για περαιτέρω πληροφορίες για τη μεταχείριση, την ανάκτηση και την ανακύκλωση του προϊόντος αυτού, επικοινωνήστε με το αρμόδιο τοπικό γραφείο, την υπηρεσία συλλογής οικιακών απορριμμάτων ή το κατάστημα από το οποίο αγοράσατε το προϊόν αυτό.

ΟΔΗΓΙΕΣ ΕΓΚΑΤΑΣΤΑΣΗΣ

• **Οι διαδικασίες τοποθέτησης και ηλεκτρικής σύνδεσης πρέπει να γίνονται από ειδικευμένο προσωπικό.**
• **Χρησιμοποιήστε προστατευτικά γάντια πριν προχωρήσετε στις εργασίες συναρμολόγησης**

• Ηλεκτρική σύνδεση:

- Η συσκευή ανήκει στο τύπο II, που σημαίνει πως κανένα καλώδιο δεν πρέπει να συνδεθεί με την γείωση.

Το βύσμα πρέπει να είναι εύκολα προσβάσιμο μετά την εγκατάσταση της συσκευής.

Στην περίπτωση που η συσκευή διαθέτει καλώδιο χωρίς βύσμα, για να το συνδέσετε στο ηλεκτρικό δίκτυο είναι αναγκαίο να μεσολαβεί μεταξύ της συσκευής και του ηλεκτρικού δικτύου ένας παντοπλικός διακόπτης με ελάχιστο άνοιγμα μεταξύ των επαφών 3mm, επαρκής για το φορτίο και σύμφωνα με τους ισχύοντες κανονισμούς.

- Η σύνδεση στο δίκτυο θα πρέπει να γίνει ως εξής:

ΚΑΦΕ: γραμμή **L**

ΜΠΛΕ: **N** ουδέτερη γραμμή.

• Η ελάχιστη απόσταση από την επιφάνεια στήριξης των συσκευών μαγειρέματος στις εστίες και το χαμηλότερο τμήμα του απορροφητήρα της κουζίνας πρέπει να είναι ίση με τουλάχιστον **65 cm**. Σε περίπτωση που χρησιμοποιηθεί σωλήνας σύνδεσης το οποίο αποτελείται από δύο ή περισσότερα κομμάτια, θα πρέπει το πάνω μέρος να περαστεί πάνω από το κάτω μέρος. Σε καμία περίπτωση δεν πέπει ο σωλήνας απορρόφησης να συνδεθεί με σωλήνα, ο οποίος χρησιμοποιείτε για εκκένωση καπνού συσκευών που τροφοδοτούνται από ενέργεια όχι ηλεκτρική. Πριν προχωρήσετε στις διεργασίες συναρμολόγησης, για ευκολότερο χειρισμό της συσκευής αποσυνδέστε το φίλτρο/-α συγκράτησης λιπαρών (Εικ.4).
- Στην περίπτωση συναρμολόγησης της συσκευής στην έκδοση για απορρόφηση τοποθετήστε την οπίθ εξαγωγής αέρα.

• Συνιστάται η χρήση ενός σωλήνα εκκένωσης αέρα ίδιας διαμέτρου με το στόμιο εξόδου αέρα. Η χρήση προσαρμοστικού θα μπορούσε να μειώσει τις επιδόσεις του προϊόντος και να αυξήσει τη θορυβότητα.

• Αν η συσκευή σας έχει σχεδιαστεί για χρήση σε κατοικίες με κεντρικό σύστημα απορρόφησης κάνετε τις παρακάτω διαδικασίες:

- Ο διακόπτης ελέγχει το άνοιγμα και το κλείσιμο μίας βαλβίδας μέσω ενός θερμοηλεκτρικού μηχανισμού. Θέτοντας τον διακόπτη στην θέση **ON**, μετά από ένα λεπτό, η βαλβίδα ανοίγει

κάνοντας περιστροφή 90° επιτρέποντας έτσι την απορρόφηση του αέρα. Θέτοντας τον διακόπτη στην θέση **OFF**, μετά από 100 δευτερόλεπτα, η βαλβίδα κλείνει.

• Εγκατάσταση:

Για να εγκαταστήσετε τον απορροφητήρα με σωστό τρόπο πρέπει να ακολουθήσετε το ακόλουθο σχέδιο:

1. Συναρμολόγηση του απορροφητήρα στο κάτω μέρος του ραφίου.
2. Επιλογή της έκδοσης (απορρόφησης 3A ή φιλτραρίσματος 3B).

• Συναρμολόγηση τ'ου απορροφητήρα στο κάτω μέρος τ'ου ραφίου:

Αυτός ο τύπος συσκευής πρέπει να εντοιχίζεται σε ένα ράφι ή σε άλλο προϊόν. Για τη στερέωση χρησιμοποιήστε 4 βίδες κατάλληλες για τον τύπο επίπλου, εκτελώντας τις οπές σύμφωνα με το σχέδιο της (Εικ.1). Για τη σωστή συναρμολόγηση, συθραμίστε τη μετώπη του απορροφητήρα στη θυρίδα του ραφίου και ρυθμίστε τον αποστάτη **L** μέσω των βιδών **P** (Εικ.2) μετά κάντε να συμπέσει πίσω η συσκευή στο ράφι.

• ΕκΔοση απορροφησης:

Με την εγκατάσταση αυτού του τύπου η συσκευή διώχνει τους ατμούς προς τα έξω μέσω ενός περιμετρικού τοιχώματος ή υπάρχουσας διοχέτευσης καναλιών. Για το σκοπό αυτό είναι αναγκαίο να αποκτήσετε έναν τηλεσκοπικό επιτοίχιο σωλήνα, του τύπου που προβλέπεται από τους ισχύοντες κανονισμούς, μη εύφλεκτο και να τον συνδέσετε στη φλάντζα **H** που σας παρέχεται (Εικ.3A).

• ΕκΔοση φιλτραρίσματος:

Για να μεταχηματίσετε τον απορροφητήρα από απορροφητικό σε φιλτραρίσματος, ζητήστε από τον μεταπωλητή σας τα φίλτρα ενεργού άνθρακα. Τα φίλτρα πρέπει να εφαρμόζονται στη μονάδα απορρόφησης στο εσωτερικό του απορροφητήρα κεντρώντάς τα σε αυτό και στρέφοντάς τα κατά 90 μοίρες μέχρι το στοπ ακινητοποίησης (Εικ.5). Για να κάνετε την εργασία αυτή αφαιρέστε τα πάνελ συγκράτησης λιπούς **G** (Εικ.4). Ο αέρας διοχετεύεται στο περιβάλλον μέσω ενός σωλήνα σύνδεσης διερχόμενου μέσω του επίπλου και συνδεδεμένου στο ρακόρ **H** (Εικ.3B).

ΧΡΗΣΗ ΚΑΙ ΣΥΝΤΗΡΗΣΗ

• Συνιστάται να θέτετε σε λειτουργία τη συσκευή πριν προχωρήσετε στο μαγείρεμα κάποιου τροφίμου. Συστήνεται να αφήνετε τη συσκευή να λειτουργεί για 15 λεπτά αφού τελειώσετε το μαγείρεμα των τροφίμων, για πλήρη εκκένωση του μολυσμένου αέρα. Η καλή λειτουργία του απορροφητήρα εξαρτάται από τη σωστή και συνεχή συντήρηση. Ιδιαίτερη προσοχή πρέπει να δοθεί στο φίλτρο συγκράτησης λιπούς και στο φίλτρο ενεργού άνθρακα.

• **Το φίλτρο συγκράτησης λιπούς** έχει ως σκοπό τη συγκράτηση των λιπαρών σωματιδίων που αιωρούνται στον αέρα, συνεπώς υπόκειται σε έμφραξη σε χρονικά διαστήματα που ποικίλουν ανάλογα με τη χρήση της συσκευής.

- Προκειμένου να αποφευχθεί κάθε κίνδυνος πυρκαγιάς, το ανώτερο κάθε 2 μήνες, είναι απαραίτητο να πλένετε τα φίλτρα αντιγράσου στο χέρι, χρησιμοποιώντας ρευστά ουδέτερα απορρυπαντικά, ή σε πλυντήρια πιάτων σε χαμηλές θερμοκρασίες και σε σύνομοτες πλύσεις.

- Μετά από μερικές πλύσεις, μπορεί να διαπιστωθούν αλλοιώσεις του χρώματος. Το γεγονός αυτό δεν αποτελεί λόγο διαμαρτυρίας για τυχόν αντικατάστασή τους.

• **Τα ενεργά φίλτρα άνθρακα** χρησιμοποιούνται για τον καθαρισμό του αέρα που ανακυκλώνεται στο περιβάλλον

και έχει τη λειτουργία να μειώνει τις δυσάρεστες οσμές που προκαλούνται από το μαγείρεμα.

- Τα μη ανανεώσιμα ενεργά φίλτρα άνθρακα πρέπει να αντικαθίστανται κάθε 4 μήνες το ανώτερο. Ο κορεσμός του ενεργού άνθρακα εξαρτάται περίπου από τη διάρκεια χρήσης της συσκευής, από τον τύπο της κουζίνας και από τη συχνότητα με την οποία γίνεται ο καθαρισμός του φίλτρου αντιγράφου.

• **Πριν επανατοποθετήσετε τα φίλτρα αντιγράφου και τα ενεργά ανανεώσιμα φίλτρα άνθρακα προσέξτε αυτά να έχουν στεγνώσει καλά.**

• **Να καθαρίζετε συχνά τον απορροφητήρα, εσωτερικά και εξωτερικά, χρησιμοποιώντας ένα βρεγμένο πανί με μετουσιωμένο οινόπνευμα ή υγρά ουδέτερα απορρυπαντικά μη αποξυστικά.**

• Η εγκατάσταση φωτισμού σχεδιάστηκε για να χρησιμοποιείται κατά το μαγείρεμα και όχι για γενικό παρατεταμένο φωτισμό του χώρου. Η παρατεταμένη χρήση του φωτισμού μειώνει σημαντικά τη μέση διάρκεια των λυχνιών.

• Αν η συσκευή είναι εξοπλισμένη με **φωτισμό περιβάλλοντος** αυτός μπορεί να χρησιμοποιηθεί για παρατεταμένη χρήση γενικού φωτισμού του περιβάλλοντος.

• **Προσοχή:** Η μη τήρηση των προειδοποιήσεων για την καθαριότητα του απορροφητήρα και την αντικατάσταση και καθαρισμό των φίλτρων μπορεί να προκαλέσει πυρκαγιά. Σας συστήνουμε κατά συνέπεια να ακολουθείτε προσεκτικά τις οδηγίες που προτείνονται.

• Αντικατάσταση των λυχνιών αλογόνου (Εικ.6):

Για την αντικατάσταση των λυχνιών αλογόνου **B** βγάλτε το γυαλάκι **C** κάνοντας αντίσταση στις σχετικές εσοχές. Αντικαταστήστε με λυχνίες ίδιου τύπου. **Προσοχή:** μην αγγίζετε τη λυχνία με γυμνά χέρια.

• Εντολες slider (Εικ.7) παρακάτω αναφέρεται τα σύμβολα που χρησιμοποιούνται:

A = Διακόπτης για το φως

A1 = πλήκτρο Off

A2 = πλήκτρο On

B = Έλεγχος ταχύτητας

B1 = πλήκτρο Off

B2 = πλήκτρο ΠΡΩΤΗ ΤΑΧΥΤΗΤΑ

B3 = πλήκτρο ΔΕΥΤΕΡΗ ΤΑΧΥΤΗΤΑ

B4 = πλήκτρο ΤΡΙΤΗ ΤΑΧΥΤΗΤΑ

C = πλήκτρο Gemma φωτάκι.

• Αντικατάσταση των λαμπτήρων πυρακτώσεως/αλογόνου (Εικ.8):

Χρησιμοποιείτε μόνο λαμπτήρες του ίδιου τύπου και ικανότητα απορρόφησης ηλεκτρικής ισχύος εγκατεστημένα στη συσκευή.

• Εντολες slider (Εικ.9) παρακάτω αναφέρεται τα σύμβολα που χρησιμοποιούνται:

Ο απορροφητήρας αυτός διαθέτει έναν **μικροδιακόπτη** που επιτρέπει την ενεργοποίηση της ταχύτητας του κινητήρα μέσω του ανοίγματος του τηλεσκοπικού τρόλεϊ. Αν το τηλεσκοπικό τρόλεϊ είναι κλειστό, οι ταχύτητες του κινητήρα δεν μπορούν να ενεργοποιηθούν. Αυτός ο μικροδιακόπτης δεν επηρεάζει την ενεργοποίηση των φώτων, που πρέπει να ανάψουν μέσω του σχετικού διακόπτη (βλέπε Εικ.9Α).

A = Διακόπτης για το φως

A1 = πλήκτρο Off

A2 = πλήκτρο On

B = Έλεγχος ταχύτητας

B1 = πλήκτρο ΠΡΩΤΗ ΤΑΧΥΤΗΤΑ

B2 = πλήκτρο ΔΕΥΤΕΡΗ ΤΑΧΥΤΗΤΑ

B3 = πλήκτρο ΤΡΙΤΗ ΤΑΧΥΤΗΤΑ.

Προσοχή! Αν το τηλεσκοπικό τρόλεϊ κλείσει με την ταχύτητα ρυθμισμένη στο 2, όταν αυτό ανοίξει πάλι, ο απορροφητήρας ενεργοποιείται εκ νέου στην ίδια ταχύτητα λειτουργίας με την οποία έσβησε.

• Εντολες (Εικ. 10):

Πλήκτρο A = αναβεί/σβηνει τα φωτα.

Πλήκτρο B = αναβεί/σβηνει τον απορροφητήρα. Η συσκευή αναβει στην 1^η ταχύτητα. Εάν ο απορροφητήρας είναι αναμμένος πατήστε το πλήκτρο για 2 δευτ. για να σβήσει. Εάν ο απορροφητήρας βρίσκεται στην 1^η ταχύτητα δεν είναι αναγκαίο να κρατάς πατημένο το πλήκτρο για να σβήσει. Ελαττώνει την ταχύτητα του κινητήρα.

Display C = δείχνει την ταχύτητα επιλογής του κινητήρα και την ενεργοποίηση του timer.

Πλήκτρο D = αναβει τον απορροφητήρα. Αυξάνει την ταχύτητα του κινητήρα. Πατώντας το πλήκτρο από την 3^η ταχύτητα εισαγεται η εντατική λειτουργία για 10', μετά η συσκευή ξαναγυρίζει να λειτουργεί στην ταχύτητα που λειτουργούσε την στιγμή της ενεργοποίησης. Κατά την διάρκεια αυτής της λειτουργίας το display αναβουβήνει.

Πλήκτρο E = Το Timer ρυθμίζει χρονικά τις λειτουργίες, τη στιγμή της ενεργοποίησης, για 15 λεπτά μετά την απενεργοποίησή τους. Το Timer απενεργοποιείται ξαναπιέζοντας το κουμπί **E**. Όταν η λειτουργία Timer είναι ενεργή στην οθόνη πρέπει να αναβοσβήνει το δεκαδικό σημείο. Αν είναι σε λειτουργία η έντονη ταχύτητα, το Timer δεν μπορεί να ενεργοποιηθεί.

Πιέζοντας το κουμπί **E** για 2 δευτερόλεπτα, όταν η συσκευή είναι βηθστή, ενεργοποιείται η λειτουργία "**clean air**". Αυτή ενεργοποιεί τον κινητήρα για 10 λεπτά κάθε ώρα στην πρώτη ταχύτητα. Κατά τη λειτουργία, η οθόνη πρέπει να απεικονίζει μια περιστροφική κίνηση των περιφερειακών τμημάτων. Με το πέρασμα του χρόνου αυτού ο κινητήρας σβήνει και η οθόνη πρέπει να απεικονίζει το γράμμα "**C**" σταθερά μέχρις ότου, μετά από άλλα 50 λεπτά, θα επανεκκινήσει ο κινητήρας για άλλα 10 λεπτά κ.ο.κ.. Για να επιστρέψετε στην κανονική λειτουργία πατήστε οποιοδήποτε πλήκτρο εκτός από το φως. Για απενεργοποιήστε τη λειτουργία πατήστε το πλήκτρο **E**.

• Κορεσμός φίλτρων συγκράτησης λίπους/ενεργού άνθρακα:

-Όταν η οθόνη **C** αναβοσβήνει εναλλάσσοντας την ταχύτητα εργασίας με το γράμμα **F** (π.χ.1 και **F**) τα φίλτρα συγκράτησης λίπους πρέπει να πλυθούν.

-Όταν το display **C** αναβοσβήνει εναλλάσσοντας την ταχύτητα άσκησης με το γράμμα **A** (π.χ.1 και **A**) τα ενεργά φίλτρα άνθρακα πρέπει να πλυθούν ή να αντικατασταθούν ανάλογα με τον τύπο του φίλτρου.

Αφού επανατοποθετηθεί το καθαρό φίλτρο, θα πρέπει να κάνετε reset στην ηλεκτρονική μνήμη πιέζοντας το κουμπί **A** για περίπου **5 sec** μέχρι να σταματήσει να αναβοσβήνει η επισήμανση **F** ή **A** της οθόνης **C**.

• Εντολες φωτεινοί (Εικ.11):

A = πλήκτρο ΦΩΤΙΣΜΟΥ

B = πλήκτρο ΟΦΦ ΤΑΧΥΤΗΤΑ

C = πλήκτρο ΠΡΩΤΗ ΤΑΧΥΤΗΤΑ

D = πλήκτρο ΔΕΥΤΕΡΗ ΤΑΧΥΤΗΤΑ

E = πλήκτρο ΤΡΙΤΗ ΤΑΧΥΤΗΤΑ

F = πλήκτρο TIMER ΑΥΤΟΜΑΤΟ ΣΤΑΜΑΤΗΜΑ 15 λεπτών (*)

Αν η συσκευή σας διαθέτει τη λειτουργία **ENTONN** ταχύτητα, ξεκινώντας από την ΤΡΙΤΗ ταχύτητα και κρατώντας πατημένο για 2 δευτερόλεπτα περίπου το πλήκτρο **E** αυτή θα ενεργοποιηθεί για 10 λεπτά και στη συνέχεια θα επιστρέψει στην προκαθορισμένη ταχύτητα. Όταν η λειτουργία είναι ενεργή το LED αναβοσβήνει. Για να τη διακόψετε πριν από τα 10 λεπτά

πατήστε ξανά το πλήκτρο **E**. Σε ορισμένα μοντέλα μπορείτε να ενεργοποιήσετε τη λειτουργία ακόμα και με την πρώτη και τη δεύτερη ταχύτητα.

Πιέζοντας το πλήκτρο **F** για 2 δευτερόλεπτα (με τον απορροφητήρα σβηστό) ενεργοποιείται η λειτουργία “**clean air**”. Αυτή η λειτουργία ανάβει τον κινητήρα για 10 λεπτά κάθε ώρα στην πρώτη ταχύτητα. Μόλις ενεργοποιηθεί η λειτουργία, ο κινητήρας ξεκινά με την 1η ταχύτητα για 10 λεπτά κατά τη διάρκεια των οποίων θα πρέπει να αναβοσβήνει το πλήκτρο **F** και το πλήκτρο **C**. Αφού περάσει αυτός ο χρόνος ο κινητήρας σβήνει και το φωτάκι του πλήκτρου **F** παραμένει αναμμένο σταθερό έως ότου μετά από άλλα 50 λεπτά ξαναξεκινά ο κινητήρας με την πρώτη ταχύτητα και τα φωτάκια **F** και **C** ξαναρχίζουν να αναβοσβήνουν για 10 λεπτά και έτσι συνεχίζει. Πατώντας οποιοδήποτε πλήκτρο εκτός από τα φώτα του απορροφητήρα, επιστρέφει στην κανονική λειτουργία (πχ. αν πατήσετε το πλήκτρο **D** απενεργοποιείται η λειτουργία “**clean air**” και το μοτέρ μπαίνει στη 2η ταχύτητα. Πατώντας το πλήκτρο **B** η λειτουργία απενεργοποιείται.

(*) Η λειτουργία «**TIMER ΑΥΤΟΜΑΤΟ ΣΒΗΣΙΜΟ**» καθυστερεί το σταμάτημα του απορροφητήρα, που θα συνεχίσει να λειτουργεί στην τρέχουσα ταχύτητα κατά την ενεργοποίηση αυτής της λειτουργίας και για 15 λεπτά.

• Κορεσμός φίλτρων συγκράτησης λίπους/ενεργού άνθρακα:

-Όταν το κουμπί **A** αναβοσβήνει με συχνότητα **2 sec.** τα φίλτρα συγκράτησης λίπους πρέπει να πλένονται.

-Όταν το πλήκτρο **A** αναβοσβήνει κάθε **0,5 δευτ.** τα ενεργά φίλτρα άνθρακα πρέπει να πλυθούν ή να αντικατασταθούν σύμφωνα με τον τύπο του φίλτρου.

Αφού επαυτοποθετηθεί το καθαρό φίλτρο θα πρέπει να κάνετε reset στην ηλεκτρονική μνήμη πιέζοντας το κουμπί **A** για περίπου **5 sec.** μέχρι να σταματήσει να αναβοσβήνει.

ΔΕΝ ΑΝΑΛΑΜΒΑΝΟΥΜΕ ΕΥΘΥΝΕΣ ΓΙΑ ΤΥΧΩΝ ΖΗΜΙΕΣ ΠΟΥ ΠΡΟΚΑΛΟΥΝΤΑΙ ΑΠΟ ΤΗΝ ΜΗ ΤΗΡΗΣΗ ΤΩΝ ΣΥΜΒΟΥΛΩΝ ΠΟΥ ΠΡΟΑΝΑΦΕΡΘΗΚΑΝ.

MAGYAR

H

ÁLTALÁNOS TUDNIVALÓK

Kérjük, figyelmesen olvassa el útmutatónkat, mert fontos tudnivalókat tartalmaz a készülék felszerelésére, használatára és karbantartására vonatkozóan. Őrizze meg, mert a későbbiekben is szüksége lehet rá. A berendezést úgy tervezték, hogy elszívással (a levegőnek a szabadba történő kivezetésével – 3A.ábra), szűrővel (a levegő visszavezetésével – 3B.ábra), vagy külső motorral (3C.ábra) is használható.

BIZTONSÁGI FIGYELMEZTETÉSEK

1. Figyeljünk arra, hogyha nem villanással működő és ugyanakkor a helyiségnek a légtérét használó elszívó, kályha vagy tűzhely működik egyszerre, akkor az elszívó esetleg kivonja a kályha vagy a tűzhely égéséhez szükséges levegőt. A helyiség negatív nyomása 4 PA-nál nem lehet nagyobb (4×10^{-3} bar). A biztonságos működés érdekében gondoskodjunk a helyiség megfelelő levegőellátásáról. A szennyezett levegő külső térbe való elvezetésekortartsuk be az ide vonatkozó előírásokat.

Mielőtt bekötné a modellt az elektromos hálózatba:

- Ellenőrizze a (a készülék belsejében található) műszaki

adatokat tartalmazó táblát, és győződjön meg arról, hogy az elektromos hálózat feszültsége és teljesítménye megfelel-e a feltüntetett adatoknak, valamint, hogy a csatlakozó megfelelő-e. Amennyiben kételyei merülnek fel, forduljon szakképzett villanyszerelőhöz.

- Ha a tápkábel megsérült, ki kell cserélni egy másik kábelre, vagy a gyártónál vagy annak szervizközpontjában beszerezhető speciális egységre.

- 3A-s biztosítékkal ellátott csatlakozódugóval kösse be a hálózatba az egységet, vagy csatlakoztassa 3A-s biztosítékkal védett kétfázisú kábel két éréhez.

2. Figyelem!

Bizonyos esetekben az elektromos készülékek veszélyt jelenthetnek.

A) Az elszívó működése közben ne ellenőrizze a szűrők állapotát.

B) A készülék világításának hosszan tartó használata közben vagy közvetlenül azt követően ne érjen az izzókhöz vagy a mellettük lévő felületekhez.

C) Az elszívó alatt tilos nyílt lángon sütni.

D) Ne használjon nyílt lángot, mert az tönkretelheti a szűrőket és tüzet okozhat.

E) Tartsa folyamatosan szem előtt a sütést, nehogy a forró olaj meggyulladjon.

F) A karbantartási műveletek előtt húzza ki a konnektort a dugóból.

G) A készülék nem gyerekek vagy felügyelet nélküli hagyott, működtetésre alkalmatlan személyek általi használatra lett tervezve.

H) Vigyázzon a gyerekekre, hogy ne hagyják a készülékkel.

I) Amennyiben az elszívót gázzal vagy más éghető anyaggal működő készülékkel együtt használja, a helyiségnek megfelelő szellőzéssel kell rendelkeznie.

L) Amennyiben a tisztítási műveleteket nem az utasításoknak megfelelően végzi el, fennáll a veszélye annak, hogy a készülék kigyullad.

A készülék megfelel az elektromos és elektronikus berendezések hulladékairól (WEEE) szóló 2002/96/EK európai uniós irányelvnek. Gondoskodjon a termék megfelelő kezeléséről, annak működésből történő kivonása után, a felhasználó hozzájárul a környezetre és az egészségre való káros hatások megelőzéséhez.



A terméken vagy a mellékelt dokumentáción feltüntetett jelölés azt jelzi, hogy a termék nem kezelhető háztartási hulladékként, hanem a megfelelő begyűjtő állomásra kell vinni az elektromos és elektronikus berendezések újrahasznosítása érdekében. Készülékétől a hulladékezelésre vonatkozó helyi előírásoknak megfelelően váljon meg. A termékkel kezelésével, összegyűjtésével és újrahasznosításával kapcsolatos további információkért forduljon a megfelelő helyi irodához, a háztartási hulladékokat begyűjtő szolgáltatóhoz, vagy ahhoz az üzlethez, ahol a készüléket megvásárolta.

FELSZERELÉSI UTASÍTÁSOK

• **A beszerelést és az elektromos bekötést csak szakemberek végezhetik el.**

• **Vegyük fel a védőkesztyűket az összeszerelési műveletek elkezdése előtt.**

• Elektromos bekötés:

- A termék kéteres kábelrel készült, vigyázzunk, hogy az egyik

huzalt se kössük a földvezetékbe. A dugónak a készülék felszerelését követően is könnyen megközelíthetőnek kell maradnia. Abban az esetben, ha a készülék dugó nélküli tápkábelrel van ellátva, az elektromos hálózatba való bekötéshez a készülék és a hálózat közé be kell iktatni egy, a terhelésre szabott és az érvényes szabványnak megfelelő univerzális megszakítót, melynek érintkezői között legalább 3 mm távolságnak kell lennie.

- A hálózatra való bekötésnél vegyük figyelembe a huzalok színeit:

BARNA = L fázis

KÉK = N nullafázis.

• A főzőlap főzéshez használt edényeket tartó felülete és a konyhai elszívó alsó része között minimum **65 cm** távolságnak kell lennie. Ha két vagy több elvezető csövet kell összerelünk, akkor az alsó csövet illesszük a felső belsejébe. Az elszívó csövet ne vezessük olyan kéménybe, amelyben meleg levegő áramlik, vagy amely nem villanymal működő berendezés égéstermékét vezeti el. A szerelés megkönnyítéséhez az összeszerelés megkezdése előtt távolítsuk el a zsírszűrőt/zsírszűrőket (4.ábra).

- Amennyiben a készüléket konyhai szagelszívóként szereli fel, gondoskodjon kéménymylásról.

• Tanácsos a levegőkimeneti cső átmérőjével megegyező átmérőjű levegőelvezető csövet használni. Az átmérőcsökkentés csökkenti a termék teljesítményét, és növeli a zajosságát.

• Amennyiben az Önök készülékét úgy tervezték, hogy központi elszívó rendszerrel rendelkező otthonokban lehessen használni, a következő műveleteket kell elvégezni:

- A kapcsoló egy termo-elektromos berendezésen keresztül egy szelep nyitását és zárását vezérli. Amennyiben a kapcsolót **BE (ON)** állásba kapcsolja, egy perc elteltével a szelep 90°-kal elfordulva kinyílik, ezzel lehetővé teszi az elhasznált levegő elszívását. Amennyiben a kapcsolót **KI (OFF)** állásba kapcsolja, 100 másodperc elteltével a szelep bezáródik.

• A készülék felszerelése:

az elszívó szabályos felszereléséhez tartsuk be a következő sorrendet:

1. Az elszívóbúra rögzítése a faliszekrény alsó részébe.

2. Válasszon verzió (elszívó ábra.3A - Szűrő ábra.3B).

• Az elszívóbúra rögzítése a faliszekrény alsó részébe:

Ezt a típusú készüléket egy faliszekrény alsó részébe vagy más tartószerkezetre kell felszerelni. A rögzítéshez használjunk a szekrény típusához illő 4 csavart, miután az (1.ábra) útmutatása szerint létrehoztunk furatokat. A helyes felszerelés érdekében a szívóbúra elülső lapját igazítsuk a faliszekrény ajtajával egy vonalra és a (P) csavarok segítségével (2.ábra) állítsuk be az (L) távolságtartót, majd a készülék hátlapját is igazítsuk a faliszekrényhez.

• Elszívó mód:

Ebben az üzemmódban a készülék az oldalfalon vagy a meglévő kéményen keresztül kivezeti a gőzöket környezetbe. Ehhez az üzemmódhoz be kell szerelni egy, a hatályos törvényeknek megfelelő, nem gyúlékony teleszkópos falicsövet, melyet rá kell kötni a mellékelt **H** karimára (3A.ábra).

• A készülék szűrőként való működtetése:

Ahhoz, hogy az elszívó levegőszűrőként működjön, a készüléket forgalmazó kereskedőtől aktív szén-szűrő lapokat kell beszerezni. A szűrőket a búra belsejében lévő szívóegységre kell rögzíteni úgy, hogy 90°-kal kettőféleképpen elforgatjuk (5.ábra). Ennek elvégzéséhez vegyük le a **G** rácsokat (4.ábra). A vissza-

forgatott levegő ismét a légtérbe jut a szekrényen áthaladó és a **H** csatlakozógyűrűhöz rögzített csövön keresztül (3B.ábra).

HASZNÁLAT ÉS KARBANTARTÁS

• Mielőtt bármilyen étel főzésébe belekezdene, tanácsos bekapcsolni a készüléket. A szennyezett levegő teljes kiszűrtetése érdekében a főzés végét követően ajánlatos még 15 percig bekapcsolva hagyni az elszívót. Az elszívó tökéletes működtetése megfelelő és folyamatos karbantartást igényel. Különös figyelmet kell fordítani a zsír- és az aktív szén-szűrőre.

• **A zsírszűrő** megköti a levegőben lévő zsírszemcséket, melyek a használatától függően idővel eltömítik a készüléket. - Egy esetleges tűzveszély megelőzése érdekében legfeljebb kéthavonta mossa el kézzel a zsírszűrőket. Használjon semleges folyékony mosószereket, vagy mossa el a zsírszűrőt alacsony hőmérsékleten mosogatógépjében rövid programon. Ne használjon súrolószert.

- Néhány mosás után a zsírszűrő színe megváltozhat. Ez nem szolgáltat alapot reklamációra, és a szűrő esetleges cseréjére.

• **Aktív szén-szűrők** feladata, hogy megtisztítsák a környezetbe visszáramlatott levegőt, és csökkentsek a főzés során keletkező kellemetlen szagokat.

- A nem regenerálható aktív szén-szűrőket legfeljebb 4 havonta cserélni kell. Az aktív szén telítődését befolyásoló tényezők: a készülék használatának időtartama, főzési szokások és a zsírszűrő tisztításának gyakorisága.

• **A zsírszűrők és a regenerálható aktív szén-szűrők vizsszahelyezése előtt várja meg, hogy a szén-szűrők teljesen megszáradjanak.**

• **Denaturált szeszrel vagy nem súroló hatású folyékony mosószerezrel átitatott vizes ruhával tisztítsa meg gyakran az elszívó külsejét és belsejét.**

• A világítóberendezést főzés közbeni használatra tervezték, és nem a konyha általános, huzamos idejű megvilágítására. A huzamos idejű használat lényegesen lecsökkenti az égők átlag élettartamát.

• Ha a készülék rendelkezik szobai világítással a készüléket használhatja a konyha huzamosabb ideig tartó megvilágítására.

• **Figyelem:** az elszívó és a szűrők tisztítására ill. a szűrők cseréjére vonatkozó utasítások be nem tartása megnöveli a tüzeset kockázatát. Ezért azt tanácsoljuk, kövesse az utasításokat.

• A halogénizzók cseréje (6.ábra):

A **B** halogénizzók cseréjéhez a megfelelő réseken keresztül megemelve vegye le a **C** üvegburát. Cserélje ki az izzókat azonos típusúakra! **Figyelem!** Ne fogja meg a lámpát csupasz kézzel!

• Vezérlések (7.ábra) slider jelmagyarázat:

A = Villanykapcsoló

A1 = Ki gomb

A2 = Be gomb

B = Sebesség ellenőrzése

B1 = Ki gomb

B2 = EGYES SEBESSÉG gomb

B3 = KETTES SEBESSÉG gomb

B4 = HÁRMAS SEBESSÉG gomb

C = Gyöngy gomb kijelzőlámpa.

• Az izzószálás/halogén égők cseréje (8.ábra):

Csak a készülékre felszerelttel megegyező erősségű és típusú izzót használjon.

• Vezérlések slider jelmagyarázat (9.ábra):

Az elszívó fel van szerelve egy **mikrokapcsolóval**, mely a

kihúzható kéményrész kinyitásakor lehetővé teszi a motor bekapcsolását. Amennyiben a kihúzható kéményrész be van csukva, a motor nem tud bekapcsolni. Ez a mikrokapcsoló nem befolyásolja a világítás bekapcsolását. A világítás a megfelelő kapcsolóval bekapcsolható (lásd 9A.ábra).

- A = Villanykapcsoló
- A1 = Ki gomb
- A2 = Be gomb
- B = Sebesség ellenőrzése
- B1 = EGYES SEBESSÉG gomb
- B2 = KETTES SEBESSÉG gomb
- B3 = HÁRMAS SEBESSÉG gomb.

Figyelem! Amennyiben a kihúzható kéményrészt 2. sebességfokozatra állítva csukja be, a legközelebbi kinyitás alkalmával, az elsővő újra ugyanazt a munkasebességet fogja bekapcsolni, mint amellyel azt kikapcsolta.

• Vezérlés (10.ábra):

A billentyű = Be- illetve kikapcsolja a világítást.

B billentyű = Be- illetve kikapcsolja a páraelszívót. A készülék az 1. sebességnél kapcsol be. Ha az elsővő be van kapcsolva, a kikapcsoláshoz 2 másodpercig tartás lenyomva a billentyűt. Ha az elsővő az első sebességre van állítva, nem szükséges a kikapcsoláshoz lenyomva tartani a billentyűt. Csökkenti a motor sebességét.

C kijelző = A motor kiválasztott sebességét valamint az időrelé bekapcsolását jelzi.

D billentyű = Bekapcsolja az elsővőt. Növeli a motor sebességét. Ha a billentyűt a 3. sebességre nyomja meg, 10 percre bekapcsol az intenzív funkció, ezután a készülék visszatér a funkció kiválasztását megelőző üzemi sebességbe. A funkció működése alatt a display villog.

E billentyű = A Timer, az aktiválás pillanatában, időzíti a funkciókat 15 percre, miután a funkciók kikapcsoltak. A Timer kikapcsolható az **E** billentyű megnyomásával. Amikor a Timer funkció aktív, a kijelzőn a tizedesponznak villognia kell. Ha az intenzív sebesség működésben van, a Timert nem lehet aktiválni.

Az **E** billentyű 2 másodpercig tartó megnyomásával, ha a készülék ki van kapcsolva, aktiválódik a "clean air" funkció. Ezzel bekapcsolódik a motor minden órában 10 percre első sebességre. Működés közben a kijelzőnek a perifériás részek forgó mozgását kell mutatnia. Ennek az időnek az elteltével a motor kikapcsol és a kijelzőn meg kell jelennie a nem villogó "C" betűnek egészen addig, amíg újabb 50 perc múlva a motor további 10 percre újraindul stb. A normál üzemmódba való visszaálláshoz nyomjon meg egy tetszés szerinti gombot, kivéve a világítás gombot. A funkció kikapcsolásához nyomja meg az **E** gombot.

• A zsírszűrők/aktív szénszűrők telítődése:

-Amennyiben a **C** kijelzőn az aktuális sebességfokozat és az **F** betű villog felváltva (pl. **1** és **F**), a zsírszűrőket meg kell mosni.
-Amikor a **C** kijelzőn az aktuális sebesség fokozat és az **A** betű (pl. **1** és **A**) felváltva villog, mossa el vagy cserélje ki az aktív szénszűrőket (a szűrő típusától függően).
Miután visszahelyezte a tiszta szűrőt, az elektromos memória nullázásához nagyjából **öt másodperc**re tartás lenyomva az **A** gombot, míg a **C** kijelzőn az **F**, vagy **A** jelzés villogása abba nem marad!

• Vezérlés (11.ábra) Fényvezérlés:

- A = VILÁGÍTÁS
- B = OFF

C = ELSŐ SEBESSÉG

D = MÁSODIK SEBESSÉG

E = HARMADIK SEBESSÉG

F = LEÁLLÍTÁS AUTOMATIKUS KÉSLELTETÉSE 15 perccel (*)

Ha az ön készüléke rendelkezik **INTENZÍV** sebességfokozattal, a fokozat bekapcsolásához állítsa a készüléket **HARMADIK** fokozatba, majd tartás lenyomva az **E** gombot kb. 2 másodpercig. Az intenzív sebesség 10 perc működés után kikapcsol, és a készülék az eredetileg beállított fokozaton üzemel tovább. Amikor a funkció aktív, a led villog. Ha a funkciót nem kívánja 10 percig üzemeltetni, a kikapcsoláshoz nyomja meg ismételtelen az **E** gombot. Egyes modellek esetében az intenzív funkció egyes vagy kettes fokozat mellett is bekapcsolható.

Ha 2 másodpercig nyomva tartja (kikapcsolt szagelszívó mellett) az **F** gombot, működésbe lép a "clean air" funkció. Ez a funkció óránként 10 percre bekapcsolja a motort egyes sebességen. Amint működésbe hozta a funkciót, 10 percre beindul a motor egyes sebességen. Ez alatt az idő alatt az **F** és **C** gomb együtt villog. 10 perc elteltével a motor kikapcsolódik, és az **F** gomb ledje folyamatos fénnel ég. 50 perccel később a motor ismételtelen be fog indulni az egyes sebességen és az **F** és **C** lednek ismételtelen villogni fognak 10 percig, stb. Lenyomva bármelyik gombot a fényekre vonatkozó gombokon kívül, a páraelszívó visszatér a rendes üzemmódba (pl. ha lenyomják a **D** gombot, érvénytelenítve lesz "clean air" (tiszta levegő) funkció és a motor 2-es sebességre lesz beállítva; a **B** gomb lenyomásával a funkció ki lesz kapcsolva).

(*) A "LEÁLLÍTÁS AUTOMATIKUS KÉSLELTETÉSE" megakadályozza az elsővő kikapcsolását és a búra a funkció bekapcsolásakor folyamatban levő üzemssebességen fog működni meg 15 perccel.

• A zsírszűrők/aktív szénszűrők telítődése:

-Amikor az **A** gomb **0,5 másodperces** időközönként villog, mossa el a zsírszűrőket.

-Amikor az **A** gomb **0,5 másodperces** időközönként villog a mossa el vagy cserélje ki az aktív szénszűrőt (a szűrő típusától függően).

Miután visszahelyezte a tiszta szűrőt, az elektromos memória nullázásához nagyjából **öt másodperc**re tartás lenyomva az **A** gombot, míg az villogni nem kezd!

A HASZNÁLATI UTASÍTÁS BE NEM TARTÁSÁBÓL EREDŐ KÁROKÉRT SEMMINEMŰ FELELŐSSÉGET NEM VÁLLALUNK.

NORSK

N

GENERELT

Les denne bruksanvisningen nøyte. Her gis viktige informasjon angående sikker installering, bruk og vedlikehold av apparatet. Ta vare på bruksanvisningen for fremtidige behov. Apparatet er laget for å kunne brukes i avtrekksversjon (suge ut luft utenfra - Fig.3A), filterversjon (resirkulere luft innvendig - Fig.3B) eller versjon med ekstern motor (Fig.3C).

SIKKERHETS INFORMASJON

1. Vær forsiktig dersom en vifte med utvendig avløp benyttes i samme rom som en brenner eller en ovn som ikke går på elektrisk strøm, da viften trekker ut luften brennere eller ovnen trenger til forbrenningen. Det negative trykket i rommet må ikke overstige 4 Pa (4x10⁻⁵ bar). For sikker bruk må man

derfor sørge for tilstrekkelig ventilasjon av lokalet. Avtrekket skal utføres i henhold til gjeldende forskrifter.

Før modellen kobles til det elektriske systemet:

- Kontroller typeskiltet (befinner seg inni apparatet) for å kontrollere at spenning og styrke er i samsvar med strømnettet og at forbindelseskontakten er egnet. Er du i tvil ta kontakt med en kvalifisert elektriker.
- Dersom strømledningen er ødelagt, må denne byttes ut med en kabel eller en spesialenhet som kan skaffes hos produsenten eller serviceavdelingen til produsenten.
- Koble anordningen til strømtilførselen ved hjelp av et støpsel med sikring 3A eller til de to ledningene til bifasen beskyttet av en sikring 3A.

2. Advarsel!

I noen situasjoner kan elektriske apparater utgjøre en fare.

- A) Ikke kontrollere filtrenes tilstand mens avtrekket er i bruk.**
- B) Ikke berøre lyspærene eller de nærliggende områdene under eller rett etter lengre bruk av belysningsanlegget.**
- C) Det er forbudt å steke mat med flammer under avtrekket.**
- D) Unngå å pøse ild, siden den skader filtrene og kan medføre brann.**
- E) Hold frityrsteking av mat konstant under kontroll, for å unngå at oljen tar fyr.**
- F) Trekk ut støpselet fra stikkkontakten før du foretar vedlikeholdsarbeid.**
- G) Apparatet er ikke ment til brukes av barn eller ikke selvstendige personer uten overvåking.**
- H) Overvåk barna for å være sikre på at de ikke leker med ovnen.**
- I) Når avtrekket benyttes samtidig med apparater som brenner gass eller andre brennstoffer, må rommet være passende utluftet.**
- L) Hvis rengjøringsinngrepene ikke utføres i samsvar med anvisningene, er det fare for at det kan oppstå en brann.**

Dette apparatet er merket i samsvar med det europeiske direktivet EC/96/2002, "Waste Electrical and Electronic Equipment" (WEEE). Ved å forsikre seg om at dette produktet blir avstanset på korrekt måte vil brukeren bidra til å hindre potensielt negative effekter for miljø og helse.



Symbolen på produktet, eller i den medfølgende dokumentasjonen viser til at dette produktet ikke må behandles som husholdningsavfall, men må leveres inn til spesialinnsamling for elektriske og elektroniske produkter for resirkulering. Man må kvitte seg med apparatet slik lokale regler for avsetning og resirkulering tilsier. For nærmere informasjon om behandling, gjenvinning og resirkulering av dette produktet må man kontakte det lokale avfallsselskap, offentlig kontor med ansvar for søppelinnsamling eller butikken der produktet ble kjøpt.

INSTALLASJONSVEILEDNING

- **Montering og elektriske koblinger må utføres av kvalifisert personale.**
- **Bruk vernehansker under monteringsarbeidet.**

• Elektrisk tilkobling:

- Apparatet er fremstilt i klasse II, ingen leder skal derfor kobles til jord. Støpselet må være lett tilgjengelig etter installasjon av apparatet. Hvis apparatet er utstyrt med en strømledning uten støpsel, må en omnipolar bryter i passende størrelse med 3

mm minimum åpning mellom kontaktene festes mellom apparatet og strømforsyningen i overensstemmelse med lasten og strømforskriftene.

-Tilkobling til strømnettet utføres på følgende måte:
BRUN = **L** strømførende
BLÅ = **N** nulleleder.

- Avstanden fra støtteoverflaten hvor kokekarene står på kokeoverflaten og laveste punkt på kjøkkenhetten må være minst **65 cm**. Dersom det benyttes en avtrekkskanal bestående av to eller flere deler, skal den øvre delen tres utenpå den nedre. Koble ikke ventilatoravtrekket til et rør der det passerer varmluft eller røyk fra apparater som ikke går på strøm. Ta ut det/de fetthemmende filteret/filtrene (Fig.4) før du begynner med monteringen. Dette gjør det lettere å manøvrere apparatet.

- I anledning montering av apparatet i avtrekksversjon, forbered på forhånd hullet for luftevakuering.

- Det anbefales å bruke et lufttømmerør med samme diameter som veggventilens munning. Bruk av et reduksjonsrør kan forringe produktets ytelse og øke støyen.

- Dersom ditt apparat er prosjektert for bruk i hus utstyrt med sentralstøvsuger gjør som følgende:
Bryteren styrer åpning og lukking av en ventil ved hjelp av en termoelektrisk anordning. Ved å sette bryteren på **ON**, åpnes ventilen etter ett minutt ved å snu seg 90° og tillater på denne måten oppsuging av den dårlige luften. Ved å sette bryteren på **OFF**, vil ventilen lukke seg etter 100 sekunder.

• Installasjon:

For korrekt installasjon av ventilatoren, følg punktene under:
1. Montering av ventilatoren i et kjøkkenskap.
2. Valg av versjon (Fig.3A med utvendig avløp eller Fig.3B resirkulering).

• Montering av ventilatoren i et kjøkkenskap:

Denne ventilatortypen skal bygges inn i undersiden av et kjøkkenskap eller tilsvarende. Til montering benyttes 4 skruer som egner seg til dette formål. Lag hull ifølge malen (Fig.1). Korrekt montering skjer ved å stille forsiden av ventilatoren kant i kant med døren på kjøkkenskapet og regulere avstandsstykket **L** ved hjelp av skruene **P** (Fig.2), slik at baksiden av apparatet er i flukt med baksiden av kjøkkenskapet.

• Avtrekksversjon:

Med denne typen installasjon vil apparatet møse uten utendørs gjennom en yttervegg eller gjennom rør som finnes i veggene. Det er for formålet nødvendig å gå til innkjøp av et teleskopør av den typen som gjeldende lover påbyr. Røret må ikke være brennbar og det skal kobles til flensen **H** som følger med (Fig.3A).

• Filterversjon:

For å omvandle viften fra avtrekk til filter må du be din forhandler om filtre med aktivt kull. Filtrene må settes på inne i avtrekksgruppen inne i viften idet de senteres og vris 90 grader til de knepper på plass (Fig.5). For å utføre dette inngrepet fjerner antifettpanelene **G** (Fig.4). Luften kommer inn i rommet igjen etter å ha gått igjenom et koblingsrør som går gjennom skapet og som er tilkoblet koblingsringen **H** (Fig.3B).

BRUK OG VEDLIKEHOLD

- Vi anbefaler at kjøkkenviften slås på før du tilbereder mat. Vi anbefaler også at apparatet får stå på i 15 minutter etter at

maten er ferdig, slik at all forurenset luft elimineres. Den effektive ytelsen til kjøkkenviften avhenger av stadig vedlikehold; antifettfilteret og det aktive karbonfilteret krever begge ekstra vedlikehold.

• **Antifettfilteret** brukes til å samle opp alle fettpartikler som finnes i luften, og dermed er det utsatt for metning (tiden det tar for at filteret blir fullt avhenger av måten apparatet brukes på).

- For å unngå fare for brann, må man vaske fettfiltrene minst hver 2. måned for hånd med et mildt, ikke-slipende flytende vaskemiddel eller i oppvaskmaskin ved lave temperaturer og korte sykluser.

- Etter noen vask, kan fargeendringer forekomme. Dette gir ikke rett til erstatning.

• **Aktive kullfilter** brukes for å rense luften som sendes ut i rommet igjen og har som funksjon å dempe lukten som oppstår ved matlaging.

- Aktive kullfilter som ikke kan regenereres må byttes må byttes ut minst hver 4.måned. Metningsnivået til kullfilteret avhenger av brukshyppigheten til apparatet, typen matlaging som utføres og hvor regelmessig antifettfiltrene rengjøres.

• **Før man setter på plass fettfiltrene og de aktive kullfilterne er det viktig at disse er helt tørre.**

• **Rengjør kjøkkenviften ofte, både på innsiden og utsiden, ved bruk av en klut som er fuktet i denaturisert alkohol eller nøytralt flytende vaskemiddel uten skureeffekt.**

• Belysningsanlegget er prosjektert for bruk under matlaging og ikke for lengre opplysning av rommet. Forlenget bruk av belysningen minsker varigheten av lyspærene betraktelig.

• Dersom apparatet er utstyrt med innvendig lys kan dette brukes over lengre tid for en generell belysning i rommet.

• **Advarsel:** hvis man ignorerer advarslene som gjelder rengjøring av hetten og bytte og rengjøring av filter kan forårsake brann. Det anbefales derfor å følge disse instruksjonene.

• **Utskifting av halogene lyspærer (Fig.6):**

For å skifte ut de halogene lyspærene **B** ta av glasset **C** ved å trykke på hakkene.

Skifte ut med lyspærer av samme type.

Advarsel: ikke ta på lyspærene med bare hender.

• **Kommandoer (Fig.7) slider** symbolenes betydning:

A = Lysbryter

A1 = Tast Off

A2 = Tast On

B = Hastighetskontroll

B1 = Tast Off

B2 = Tast HASTIGHET EN

B3 = Tast HASTIGHET TO

B4 = Tast HASTIGHET TRE

C = Tast Gemma varselampe.

• **Bytte ut lyspærer/halogenpærer (Fig.8):**

Bruk kun pærer som er av samme type og styrke som den som er på apparatet.

• **Kommandoer slider (Fig.9)** symbolenes betydning:

Dette uttrekket er utstyrt med en **mikrobryter** som gjør det mulig å sette i gang motorens hastigheter idet det uttrekkbare dekselet settes i gang. Hvis det uttrekkbare dekselet er lukket, kan ikke motorens hastigheter settes i gang. Denne mikrobryteren har ingen innflytelse på lysene, som kan tennes ved hjelp av den egnede bryteren (se Fig.9A).

A = Lysbryter

A1 = tast Off

A2 = tast On

B = Hastighetskontroll

B1 = tast HASTIGHET EN

B2 = tast HASTIGHET TO

B3 = tast HASTIGHET TRE.

Advarsel! Hvis det uttrekkbare dekselet lukkes med hastigheten satt på 2, vil uttrekket, idet dekselet åpnes igjen, settes i gang med samme driftshastighet som det hadde da det ble slått av.

• **Kontroller (Fig.10):**

Tast A = Lys på/av.

Tast B = Ventilator på/av. Apparatet starter på 1. hastighet. Dersom ventilatoren er på, trykker man 2 sekund på knappen for å slå den av. Dersom ventilatoren befinner seg på 1. hastighet er det ikke nødvendig å holde knappen inne for å slå den av. Motorhastighet reduseres.

Display C = Indikerer den valgte motorhastigheten og aktivering av tidsur.

Tast D = Starter ventilatoren. Øker motorens hastighet. Ved å trykke på tasten fra 3. hastighet vil intensiv-funksjonen aktiveres i 10 minutter. Deretter vil apparatet gjenoppta den normale hastigheten det gikk på da funksjonen ble aktivert. Displayet vil blinke så lenge funksjonen er aktivert.

Tast E = Tidsbryteren bryter av funksjonene etter en bestemt tid, etter at denne er blitt aktivert vil funksjonene slå seg av etter 15 minutter. Tidsbryteren vil bli deaktivert ved å trykke en gang til på tast **E**. Når tidsbryterfunksjonen er aktiv vil man på skjermen se desimalpunktet som blinker. Dersom intensiv hastighet er på kan ikke tidsavbrudd aktiveres.

Ved å trykke på tast **E** i 2 sekunder med avslått apparat vil funksjonen **"clean air"** aktiveres. Denne funksjonen slår på motoren i 10 minutter hver time, ved laveste hastighet. Under bruk må skjermen vise rotasjonsbevegelsen til de ytre segmentene. Når denne tiden er gått, vil motoren slå seg av og man vil på skjermen kunne se bokstaven **"C"** lyse, helt til motoren starter opp igjen etter 50 minutter for å være i virksomhet 10 minutter til. For å gå tilbake til normal funksjon trykk på en hvilken som helst tast med unntak av lystastene. For å deaktivere funksjonen trykk på tasten **E**.

• **Overmetning av aktivt-karbonfilteret/avfettingsfilteret:**

-Når man skjermen **C** ser at bokstaven **F** blinker, med veksellende hastighet, (f.eks.1 og **F**) må fettfiltrene rengjøres.

-Når display **C** blinker og viser vekselvis nivået for utsagnings-effekt og bokstaven **A** (eks.1 og **A**) må de aktive kullfiltrene rengjøres eller byttes ut avhengig av type filter.

Etter at det rene filteret er plassert riktig, skal det elektroniske minnet tilbakestilles ved å trykke på knappen **A** i ca. **5 sekunder**, inntil indikasjonen **F** eller **A** som vises på displayet **C** slutter å blinke.

• **Kontroller med lys (Fig.11)** benyttes følgende symboler:

A = Tast for BELYSNING

B = Tast for OFF (AV)

C = Tast for FØRSTE HASTIGHET

D = Tast for ANNEN HASTIGHET

E = Tast for TREDJE HASTIGHET

F = Tast TIDSURE AUTOMATISK STOPP 15 minutter (*)

Hvis apparat er utstyrt med funksjonshastigheten **INTENSIV**, trykker man på tast **E** i 2 sekunder fra TREDJE hastighet, slik at den aktiveres i 10 minutter før den går tilbake til forrige innstilte hastighet. LED blinker når funksjonen er aktivert. For å avbryte funksjonen for det har gått 10 minutter, trykker man en til gang på **E**. På enkelte modeller er det også mulig å

aktivere funksjonen fra første og andre hastighet.

Ved å trykke på tasten **F** i 2 sekunder (når viften er avslått), aktiveres funksjonen "**clean air**". Denne funksjonen gjør at motoren startes i 10 minutter hver time på laveste hastighet. Med en gang funksjonen aktiveres, starter motoren på laveste hastighet og varer i 10 minutter. I disse 10 minuttene blinker både tasten **F** og tasten **C**. Etter disse 10 minuttene stopper motoren og lyset til tasten **F** forblir påslått inntil motoren starter igjen etter 50 minutter. Da begynner lysene til **F** og **C** å blinke igjen i 10 minutter osv. Ved å trykke på en hvilken som helst tast, bortsett fra den for lyset, går avtrekkskapen tilbake til normal funksjon (f. eks. hvis man trykker på tast **D** deaktiveres funksjonen "**clean air**" og motoren stilles inn på 2^e hastighet; ved å trykke på tast **B** deaktiveres funksjonen).

(*) Med funksjonen "**TIDSUR AUTOMATISK STOPP**" utsettes stans av ventilatoren, som vil fortsette å gå i 15 minutter på samme hastighet som da funksjonen ble aktivert.

• **Overmetning av aktivt-karbonfilteret/avfettingsfilteret:**
- Når tasten **A** blinker med en frekvens på **2 sek.**, er det nødvendig å gjøre rent avfettingsfiltrene.
- Når tasten **A** blinker med en frekvens på **0,5 sek.** må de aktive kullfiltrene rengjøres eller byttes ut avhengig av type filter. Deretter settes det rene filteret tilbake på plass, og man stiller så tilbake minnet ved å trykke på tast **A** i ca **5 sekunder**, helt til det slutter å blinke.

PRODUSENTEN FRASKRIVER SEG ETHVERT ANSVAR FOR SKADER SOM SKYLDES AT OVENNEVNTRE RETNINGSLINJER IKKE ER BLITT FULGT.

POLSKI

PL

INFORMACJE OGÓLNE

Należy zapoznać się dokładnie z niniejszym tekstem, zawierającym wskazówki, dotyczące bezpieczeństwa przy instalacji, eksploatacji i konserwacji okapu kuchennego. Należy zachować niniejsze instrukcje także dla późniejszych konsultacji. Urządzenie zostało zaprojektowane w wersji zasysającej (odprowadzanie powietrza na zewnątrz - Rys.3A), filtrującej (recykulacja powietrza wewnątrz - Rys.3B) lub z silnikiem zewnętrznym (Rys.3C).

UWAGI O BEZPIECZEŃSTWIE

1. Nie należy używać jednocześnie okapu kuchennego i paleńska lub kominka zależnych od powietrza w pomieszczeniu i niezasilanych energią elektryczną, ponieważ okap zużywa powietrze potrzebne do ich spalania. Ciśnienie ujemne w pomieszczeniu nie powinno przekraczać 4 Pa (4x10⁻⁵ bar). Należy więc zadbać o prawidłową wentylację w pomieszczeniu, konieczną dla bezpiecznego funkcjonowania urządzenia. Przy odprowadzaniu dymu na zewnątrz, należy przestrzegać norm obowiązujących w waszym kraju.

Przed podłączeniem modelu do sieci elektrycznej:

- Skontrolować tabliczkę znamionową (znajdującą się wewnątrz urządzenia) aby upewnić się, że napięcie i moc są odpowiednie dla danej sieci i, że gniazdo wtykowe połączenia jest odpowiednie. W przypadku wątpliwości zwrócić się do wykwalifikowanego elektryka.
- Jeśli przewód zasilania jest uszkodzony powinien zostać wymieniony na przewód lub specjalny zespół dostępny u

producenta lub u jego obsługi technicznej.

- Podłączyć urządzenie do gniazda zasilającego poprzez wtyczkę z bezpiecznikiem topikowym 3A lub dwupolowym przewodem z bezpiecznikiem topikowym 3A.

2. Uwaga!

W niektórych sytuacjach urządzenia elektryczne mogą stanowić zagrożenie.

A) Nie kontrolować stanu filtrów, gdy okap jest włączony.
B) Nie dotykać lamp lub stref przyległych podczas lub zaraz po przedłużonym używaniu oświetlenia.

C) Zabronione jest gotowanie potraw na ogniu pod okapem.

D) Należy unikać wolnego ognia, ponieważ uszkadza filtry i może spowodować pożar.

E) Należy stale kontrolować gotowane potrawy, aby uniknąć zapalenia wrzącego oleju.

F) Wyjąć wtyczkę z gniazdka przed przystąpieniem do konserwacji.

G) Urządzenie nie jest przeznaczone do używania przez dzieci lub niezdolne osoby bez nadzoru.

H) Należy pilnować dzieci, aby upewnić się, że nie bawią się urządzeniem.

I) Jeśli okap zostanie użyty jednocześnie z urządzeniami spalającymi gaz lub inne palące należy pamiętać o zagwarantowaniu dobrej wentylacji pomieszczenia.

L) Jeśli czynności związane z czyszczeniem nie zostaną wykonane zgodnie z instrukcjami, istnieje zagrożenie wywołania pożaru.

Niniejsze urządzenie oznaczone jest zgodnie z dyrektywa europejska 2002/96/EC, Waste Electrical and Electronic Equipment (WEEE). Upewniwszy się, że niniejszy produkt zostanie zutylizowany we właściwy sposób, użytkownik przyczynia się do ochrony przed potencjalnymi konsekwencjami negatywnymi dla środowiska i zdrowia.



Symbol podany na produkcie lub na dokumentacji towarzyszącej mu wskazuje, że produktu ten nie powinien być traktowany jako odpad domowy, lecz powinien być przekazany w stosownym punkcie zbiórki w celu odzyskania urządzeń elektrycznych i elektronicznych. Pozbywając się go zgodnie z miejscowymi normami w zakresie utylizacji odpadów. Dla uzyskania dodatkowych informacji na temat traktowania, odzyskiwania i recyklingu tego produktu, należy skontaktować się z odpowiednim lokalnym biurem, służbą odpadów domowych lub ze sklepem, w którym produkt został zakupiony.

INSTRUKCJE DO INSTALACJI

• **Czynności montażu i podłączenia elektrycznego powinny być dokonane przez wyspecjalizowany personel.**
• **Przed przystąpieniem do czynności montażowych założyć rękawice ochronne.**

• Podłączenie elektryczne:

-Urządzenie skonstruowane jest według klasy II, dlatego przewody nie muszą być uziemione. Wtyczka musi być łatwo dostępna po instalacji urządzenia. W przypadku, gdy urządzenie wyposażone jest w kabel bez wtyczki, w celu jego podłączenia należy umieścić pomiędzy urządzeniem a siecią wyłącznik wielobiegunowy z minimalnym otwarciem między stykami wynoszącym 3 mm, przystosowany do obciążenia i zgodny z obowiązującymi normami.

-Podłączenie do sieci elektrycznej powinno być przeprowadzone następująco:

BRĄZOWY = L linia
BŁĘKITNY = N zerowy.

• Minimalna odległość między płaszczyzną nośną naczyń urządzenia kuchennego i najniższą częścią okapu kuchennego powinna wynosić przynajmniej **65 cm**. Przy zastosowaniu rury łączącej składającej się z dwóch lub kilku części, część górna rury musi znajdować się wewnątrz części dolnej. Nie należy łączyć przewodu wyciągowego okapu z przewodem, w którym krąży gorące powietrze lub z przewodem przeznaczonym do odprowadzania dymu z urządzeń zasilanych energią inną niż energia elektryczna.

Przed przystąpieniem do montażu, należy wyłączyć filtr (Rys.4) w celu łatwiejszego manipulowania urządzeniem.

- W przypadku montażu urządzenia w wersji ssącej przygotowana otwór odprowadzenia powietrza.

• Sugeruje się, aby używać przewodu do oprowadzania powietrza o takiej samej średnicy jak otwór wylotowy. Używanie przewężenia może zmniejszyć sprawność produktu i zwiększyć hałas.

• Jeżeli Wasze urządzenie zostało zaprojektowane do użytku w mieszkaniach zaopatrzonych w centralne zasysanie powietrza należy dokonać następujących czynności:

- Wyłącznik steruje otwieraniem i zamykaniem zaworu poprzez urządzenie termoelektryczne. Ustawiając wyłącznik w pozycji **ON**, po upływie jednej minuty, zawór się otworzy obracając się o 90° umożliwiając w ten sposób zasysanie zanieczyszczonego powietrza. Ustawiając wyłącznik w pozycji **OFF**, po upływie 100 sekund, zawór się zamyka.

• Instalacja:

Aby przeprowadzić prawidłową instalację okapu, należy postępować wg następującego schematu:

1. Montaż okapu w dolnej części półki wiszącej.
2. Ybór wersji (wciągowa 3A lub filtrująca 3B).

• Montaż okapu w dolnej części półki wiszącej:

Takie urządzenia musi być umocowane na półce lub na innej płaszczyźnie wspierającej.

Umocować okap posługując się 4 odpowiednimi śrubami i przy wierceń otworów postępować wg schematu podanego na Rys.1.

Aby przeprowadzić montaż prawidłowo, należy ustawić w linii przód okapu z drzwiczkami półki, regulując część odległościową **L** poprzez śruby **P** (Rys.2), w taki sposób, aby tylna część urządzenia odpowiadała półce.

• Wersja z zasysaniem:

Przy tym typie instalacji urządzenie usuwa opary na zewnątrz przez ścianę obwodową lub istniejącą kanalizację. W tym celu konieczny jest zakup rury ściiennej teleskopowej odpowiedzającego typu zgodnego z obowiązującymi przepisami, niepalnego, i połączenie jej z kominem **H** znajdującym się w wyposażeniu urządzenia (Rys.3A).

• Wersja filtrująca:

Aby przekształcić okap z wersji wciągowej na filtrującą, należy zwrócić się do Waszego dostawcy z prośbą o filtry na węgiel aktywny. Filtry należy umieścić dokładnie w zespole wciągającym umieszczonym wewnątrz okapu, wykonana obrót o 90 stopni aż do skoku końcowego (Rys.5). Przy przeprowadzeniu tej operacji należy wyjąć siatkę **G** (Rys.4). Oczyszczone powietrze wprowadzone będzie do pomieszczenia poprzez przewód rurowy łączący, przebiegający poprzez półkę i połączony z pierścieniem łączącym **H** (Rys.3B).

EKSPLOATACJA I KONSERWACJA

• Zaleca się uruchomienie urządzenia przed przystąpieniem do gotowania jakiegokolwiek potrawy. Zaleca się, aby nie wyłączać urządzenia przez około 15 minut po zakończeniu gotowania potraw w celu całkowitego usunięcia nieświeżego powietrza. Prawidłowe działanie okapu uwarunkowane jest prawidłową i regularną konserwacją; szczególną uwagę należy zwrócić na filtr przeciwłuszczyowy oraz na filtr z węglem aktywnym.

• **Filtr przeciwłuszczyowy** ma za zadanie zatrzymywanie cząsteczek tłuszczu zawieszonych w powietrzu, dlatego narażony jest na zatkanie, które może nastąpić w różnym czasie, zależnie od eksploatacji urządzenia.

- Aby zapobiec ewentualnemu ryzyku pożaru, maksymalnie co 2 miesiące należy ręcznie myć filtry przeciwłuszczyowe, używając płynnych neutralnych nie ściernych środków czyszczących lub też myć je w zmywarce przy niskiej temperaturze i krótkich cyklach mycia.

- Po kilku umyciach, ich kolor może się zmienić. Nie stanowi to powodu do reklamacji w celu ewentualnej wymiany.

• **Filtry z węglem aktywnym** służą do oczyszczania powietrza, które jest wypuszczane do otoczenia oraz zatrzymują nieprzyjemne zapachy powstające podczas gotowania.

- Filtry z węglem aktywnym nieregenerowane muszą być wymieniane maksymalnie co 4 miesiące. Nasylenie węgla aktywnego zależy od przedłużonego lub nie użycia urządzenia, rodzaju kuchenki oraz częstotliwości czyszczenia filtra przeciwłuszczyowego.

• **Przed ponownym zamontowaniem filtrów przeciwłuszczyowych i filtrów z węglem aktywnym regenerowanych muszą być one dokładnie wysuszone.**

• **Często myć okap, zarówno wewnątrz, jak i na zewnątrz, przy pomocy szmatki zwilżonej denaturatem lub neutralnym środkiem myjącym w płynie, nie ściernym.**

• Instalacja oświetleniowa zaprojektowana jest do użytkowania podczas gotowania, a nie do długotrwałego użycia jako oświetlenie główne pomieszczenia. Przedłużone użytkowanie oświetlenia zmniejsza znacząco średnią trwałość żarówek.

• Jeżeli urządzenie jest wyposażone w oświetlenie otoczenia, może być ono używane przez dłuższe okresy jako ogólne oświetlenie.

• **Uwaga:** nieprzestrzeganie wskazówek dotyczących czyszczenia okapu i wymiany oraz czyszczenia filtrów powoduje ryzyko pożaru. Dlatego też, zaleca się przestrzeganie podanych instrukcji.

• Wymiana lamp halogenowych (Rys.6):

Aby wymienić lampy halogenowe **B** ściągnąć szkiełko **C** wykorzystując do tego odpowiednie otwory. Wymień lampy na takie same. **Uwaga:** nie dotykać lampy gołą ręką.

• Polecenia (Rys.7) slider symbole jak poniżej:

A = Wyłącznik światła

A1 = Przycisk Off

A2 = Przycisk On

B = Kontrola prędkości

B1 = Przycisk Off

B2 = Przycisk PIERWSZA PRĘDKOŚĆ

B3 = Przycisk DRUGA PRĘDKOŚĆ

B4 = Przycisk TRZECIA PRĘDKOŚĆ

C = Przycisk kontrolki.

• Wymiana lampek żarówek/halogenów (Rys.8):

Używać jedynie lampek tego samego rodzaju oraz mocy Wat, jak te umieszczone w urządzeniu.

• Polecenia slider (Rys.9) symbole jak poniżej:

Okap ten posiada **mikrowyłącznik**, który pozwala na włączenie prędkości silnika poprzez otwarcie wózka teleskopowego. Jeśli wózek ten zostanie zamknięty, wówczas włączenie prędkości silnika nie będzie możliwe.

Ten mikrowyłącznik nie ma wpływu na włączenie światła, które można zaświecić właściwym przełącznikiem (patrz Rys.9A).

A = Wyłącznik światła

A1 = Przycisk Off

A2 = Przycisk On

B = Kontrola prędkości

B1 = Przycisk PIERWSZA PRĘDKOŚĆ

B2 = Przycisk DRUGA PRĘDKOŚĆ

B3 = Przycisk TRZECIA PRĘDKOŚĆ.

Uwaga! Jeśli wózek teleskopowy zostanie zamknięty z prędkością ustawioną na 2, to po jego ponownym otwarciu okap włączy się na tym samym poziomie prędkości przy jaki został zamknięty.

• Wyświetlacz (Rys.10):

Przycisk A = Przycisk włączający/wyłączający oświetlenie.

Przycisk B = Przycisk włączający/wyłączający urządzenie. Okap włączy się przy 1 prędkości. Przy urzędzeniu włączonym, naciskając przycisk przez 2 sekundy, nastąpi wyłączenie okapu. Jeżeli urządzenie pracuje przy pierwszej prędkości, aby włączyć okap, nie jest konieczne naciśnięcie przycisku. Silnik będzie pracował przy zmniejszonych obrotach.

Wyświetlacz C = Wskazuje wybraną prędkość i informuje, czy został włączony licznik czasu.

Przycisk D = Uruchamia okap. Naciskając taki przycisk nastąpi wzrost prędkości. Naciskając przycisk urządzenie z trzeciej prędkości przejdzie w intensywny tryb pracy, który będzie trwał ok. 10 sekund, po czym wróci do funkcjonowania przy wybranej poprzednio prędkości. W czasie uruchomienia takiej funkcji, wyświetlacz zapali się światłem migającym.

Przycisk E = Il Timer reguluje czasowo funkcję, w chwili włączenia, przez 15 minut po ich włączeniu. Il Timer wyłącza się ponownie wciśnięciem przycisku **E**. Kiedy funkcja Timer jest włączona to na wyświetlaczu dziesiąta pozycja ma migać. Jeżeli włączona jest prędkość intensywna wówczas Timer nie można włączyć.

Wciśnięciem przycisku **E** na 2 sekundy, gdy urządzenie jest wyłączone, włącza się funkcję "clean air". Włączy się wówczas silnik co godzinę na 10 minut przy pierwszej prędkości.

Podczas funkcjonowania obrotowy ruch peryferyjnych segmentów. Po tym czasie silnik wyłączy się i na wyświetlaczu ukaże się litera "C" świecąca się w sposób ciągły przez następne 50 minut, po czasie którym silnik włączy się i tak dalej.

Aby powrócić do normalnego funkcjonowania nacisnąć jakikolwiek przycisk z wyjątkiem przycisku oświetlenia. Aby dezaktywować funkcję, nacisnąć na przycisk **E**.

• Nasylenie filtrów przeciwłuszczowych/z węgla aktywnego:

- Kiedy wyświetlacz **C** miga zmieniając prędkość pracy na literę **F** (es. 1 e F) filtry przeciwłuszczowe mają być umyte.

- Gdy wyświetlacz **C** miga zmieniając prędkość pracy z literą **A** (np.: 1 i A) filtry z węglem aktywnym muszą być wymienione lub umyte lub wymienione w zależności od ich rodzaju.

Po umieszczeniu czystego filtra należy wyzerować elektroniczną pamięć naciśnięciem przycisku **A** na około **5 sekund** aż do momentu, kiedy sygnalizator świetlny **F** lub **A** na wyświetlaczu **C** przestanie migać.

• **Układ sterowania (Rys.11)** Stery świetlne znaczenie symboli jest następujące.

A = Przycisk OŚWIETLENIE

B = Przycisk WŁĄCZENIE

C = Przycisk PIERWSZA PRĘDKOŚĆ

D = Przycisk DRUGA PRĘDKOŚĆ

E = Przycisk TRZECIA PRĘDKOŚĆ

F = Przycisk REGULATOR CZASOWY AUTOMATYCZNEGO WYŁĄCZENIA po 15 minutach (*)

Jeżeli Wasze urządzenie jest wyposażone w funkcję prędkości **INTENSYWNA**, poczynając od TRZECIEJ prędkości i przytrzymując wciśnięty przez 2 sekundy klawisz **E**, zostanie ona uaktywniona na 10 minut, a następnie powróci do wcześniej ustawionej prędkości. Gdy funkcja jest aktywna LED miga. Aby przerwać ją przed upływem 10 minut, ponownie nacisnąć na **E**. W przypadku niektórych modeli, można uaktywnić funkcję również na pierwszej i drugiej prędkości.

Przyciskając przycisk **F** przez 2 sekundy (przy wyłączonym okapie) włącza się funkcja "clean air". Ta funkcja powoduje włączenie silnika przez 10 minut co godzinę na pierwszej prędkości. Jak tylko ta funkcja jest włączona silnik włącza się na 1° prędkość na okres 10 minut podczas tych minut powinny migać jednocześnie przycisk **F** i przycisk **C**. Po upływie tego czasu silnik się wyłącza i LED przycisku **F** świeci się stałym światłem aż do momentu gdy po upływie następnych 50 minut ponownie włącza się silnik na pierwszej prędkości i LED **F** i **C** ponownie migają przez 10 minut i dalej w ten sam sposób. Naciskając na jakikolwiek klawisz z wyjątkiem świetledek, okap powróci do normalnego funkcjonowania (np. jeżeli zostanie wciśnięty klawisz **D** zostanie dezaktywowana funkcja "clean air" i silnik będzie ustawiony na 2ej prędkości; naciskając na klawisz **B** funkcja zostanie dezaktywowana).

(*) Funkcja "REGULATOR CZASOWY WYŁĄCZENIA AUTOMATYCZNEGO" opóźni wyłączenie okapu, który będzie funkcjonował przez 15 minut wg regulacji prędkości, jaką posiadał w momencie włączenia takiej funkcji.

• Nasylenie filtrów przeciwłuszczowych/z węgla aktywnego:

- Kiedy przycisk **A** pulsuje z częstotliwością **2 sec**. Filtry **przeciwłuszczowe** wymagają przemycia.

- Gdy przycisk **A** miga z częstotliwością **0,5 sec**, oznacza to, że filtry z węglem aktywnym muszą być wymyte lub wymienione, w zależności od ich rodzaju.

Po ponownym założeniu czystego filtra należy zresetować pamięć elektroniczną wdużając przycisk **A** przez około **5 sec**, aż ustanie pulsowanie.

DOSTAWCA UCHYLĄ SIĘ OD WSZELKIEJ ODPOWIEDZIALNOŚCI ZA EWENTUALNE USTERKI, SPOWODOWANE NIEPRZESTRZEGANIEM WYŻEJ WYMIENIONYCH WSKAZÓWEK.

ROMANIA

R

DESCRIERE GENERALĂ

Citiți cu atenție instrucțiunile de siguranță, utilizare și întreținere cuprinse în acest manual. Păstrați cu grijă manualul de utilizare; pe viitor vă poate folosi. Acest aparat a fost proiectat în trei variante: aspirantă (cu evacuarea aerului la exterior, vezi Fig.3A), filtrantă (recirculația aerului în interior, vezi Fig.3B) sau cu un motor extern (vezi Fig.3C).

INSTRUCȚIUNI DE SIGURANȚĂ

1. Dacă dispuneți de o centrală termică sau de o altă sursă de încălzire care folosește, pentru combustie, aerul din încăpere, aveți grijă să nu funcționeze împreună cu hota, deoarece aceasta absoarbe aerul. Presiunea negativă din încăperea nu trebuie să depășească 4 pascali (4 x 10-5 bari). Pentru a garanta o funcționare corectă, asigurați-vă că ventilația din încăperea este adecvată. În ceea ce privește evacuarea aerului în mediul înconjurător, respectați normele naționale în vigoare.

Înainte de conectarea modelului la rețeaua electrică:

- Controlați plăcuța cu instrucțiunile (pusă în interiorul aparatului) pentru a vă asigura că tensiunea și energia să fie corespunzătoare celei de la rețea și priza să fie potrivită. Dacă aveți nelămuriri întrebați pe un electricist calificat.
- În cazul în care cablul este deteriorat, acesta trebuie să fie înlocuit cu un cablu (sau cu un ansamblu) special; pentru aceasta, apălați la fabricant sau la serviciul de asistență tehnică.
- Racordați hota la rețeaua de alimentare, printr-un ștecăr cu siguranță fuzibilă de 3A sau la cele două fire ale rețelei bifazice protejate de o siguranță fuzibilă de 3A.

2. Atenție!

În anumite situații, aparatele electrice pot reprezenta un pericol.

- A) Nu controlați starea filtrelor în timp ce hota este în funcțiune.**
- B) Nu atingeți becurile sau zonele apropiate în timpul sau imediat după folosirea îndelungată a instalației de iluminat.**
- C) Nu frigeți alimentele direct pe flacără, dacă hota este în funcțiune.**
- D) Evitați flăcările deschise, deoarece deteriorează filtrele și pot provoca incendii.**
- E) Dacă prăjiți în ulei, nu vă îndepărtați de aragaz, deoarece uleiul fierbinte poate lua foc.**
- F) Deconectați ștecherul de la priza de curent înainte de a efectua întreținerea.**
- G) Aparatul nu este destinat folosirii de către copii sau de către persoane incapabile fără supraveghere.**
- H) Supravegheați copiii, pentru a fi siguri că nu se joacă cu aparatul.**
- I) Când hota este folosită în același timp cu alte aparate care ard gaze sau alte combustibile, încăperea trebuie să fie ventilată corespunzător.**
- L) Dacă operațiunile de curățare nu sunt efectuate cu respectarea instrucțiunilor, există riscul producerii unui incendiu.**

Acest aparat este contrasemnat în conformitate cu Directiva Europeană 2002/96/EC, referitoare la "Waste Electrical and Electronic Equipment (WEEE)". Asigurându-vă că acest produs este scos din uz în mod corect, dvs ca utilizator contribuiți la prevenirea puternicelor consecințe negative asupra mediului înconjurător și asupra sănătății.



Simbolul aplicat pe produs sau pe documentația de însoțire a acestuia vă arată că aparatul trebuie să fie tratat separat de deșeurile casnice; în acest scop el va trebui să fie încredințat unui centru de colectare adecvat, destinat reciclării aparatelor electrice și electronice. Scoaterea din uz a acestor produse este deci supusă normelor locale în materie de tratare a deșeurilor. Pentru informații ulterioare cu privire la tratarea, recuperarea sau reciclarea acestui produs, apălați la biroul local competent, la serviciul de colectare a deșeurilor casnice sau la magazinul de unde ați achiziționat

aparatul.

INSTRUCȚIUNI DE MONTAJ

- **Toate operațiunile de montaj și conectare electrică trebuie să fie efectuate de personal specializat.**
- **Utilizați mănuși de protecție înainte de a începe operațiunile de montare.**

• Conexiunea electrică:

- Hota intră în clasa de construcție II; de aceea, nu este necesar să o conectați la împământare. Ștecărul trebuie să fie ușor accesibil după instalarea aparatului. În cazul în care aparatul este prevăzut cu cablu fără ștecăr, pentru a-l conecta la rețeaua electrică este necesară interpunerea între aparat și rețea a unui întrerupător omnipolar cu deschiderea minimă între contacte de 3 mm, dimensionat la sarcină și conform normelor în vigoare.
- Conectarea la rețeaua electrică trebuie să respecte următoarele indicații:
MARO = L fază
ALBASTRU = N nul.

- Distanța minimă între suprafața, suportului vaselor de gătit de pe aragaz și partea cea mai joasă a hotei de la bucătărie, trebuie să fie de cel puțin **65 cm**.

Dacă veți folosi un tub de evacuare compus din două segmente, segmentul superior trebuie să fie în exteriorul segmentului inferior. Nu conectați tubul de evacuare a aburilor la o conductă de aer cald sau care servește și la evacuarea aburilor care provin de la alte instalații de încălzire, mai ales dacă alimentarea acestora nu este electrică. Înainte de a începe montajul, îndepărtați filtrul/filtrele (vezi Fig.4), pentru a mânuși mai ușor hota.

- În caz că aparatul este montat în versiune aspirantă predispușă gaura de evacuare al aerului.

- Se recomandă folosirea unui tub de evacuare a aerului care să aibă același diametru ca și gura de evacuare a aerului. Utilizarea unei reducții poate diminua performanțele aparatului și mări nivelul de zgomot".

- Dacă aparatul dumneavoastră a fost proiectat pentru a fi întrebuințat în locuințe prevăzute cu aspirație centralizată efectuați următoarele instrucțiuni:

-Un întrerupător pentru comandarea deschiderii sau închiderii a unei supape cu ajutorul unui dispozitiv termoelectric. Comutând întrerupătorul în poziția de deschidere **ON**, învârtind de 90°, după un minut, supapa se deschide consimțând astfel aspirația aerului alterat din încăperea. Comutând întrerupătorul în poziția de închidere **OFF**, după 100 de secunde, supapa se închide.

• Instalare:

Pentru a instala hota în mod corect, trebuie respectată următoarea schemă:

1. Montarea hotei în partea inferioară a mobilierului suspendat.
2. Alegerea versiunii (aspirantă Fig.3A sau filtrantă Fig.3B).

• Montarea hotei în partea inferioară a mobilierului suspendat:

Acest tip de aparat trebuie încastrat într-un mobilier sau în alt tip de suport.

Pentru a fixa aparatul folosiți 4 șuruburi adecvate tipului de mobilier realizând găurile conform schemei (Fig.1)

Pentru a realiza montajul în mod corect aliniați hota în drept cu ușa mobilierului și reglați distanțierul L, cu ajutorul șuruburilor

P (Fig.2), pentru a face astfel încât aparatul să se potrivească cu mobilierul.

• Versiunea aspirantă:

În cazul acestui tip de instalare, aparatul evacuează aburul în exterior prin intermediul unui perete perimetral sau a unui sistem extern de canalizare. În acest scop trebuie să achiziționați un tub pentru evacuarea aerului; tipul acestuia este prevăzut de normele în vigoare; tubul nu trebuie să fie inflamabil; conectați tubul la flanșa **H** din dotare (Fig.3A).

• Versiunea filtrantă:

Pentru a transforma hota din versiunea aspirantă în versiunea filtrantă, cereți distribuitorului filtre cu cărbune activ. Filtrele trebuie aplicate pe grupul de aspirație aflat în interiorul hotei așezându-le în centrul acestuia și rotindu-le la 90 de grade până când se aude un click de sfârșit de cursă (Fig.5). Pentru a realiza această operație scoateți panourile **G** (Fig.4). Aerul este trimis în încăpere prin intermediul tubului de evacuare; acesta trece prin mobilier și este conectat la flanșa **H** (Fig.3B).

UTILIZARE ȘI ÎNTREȚINERE

• Se recomandă să porniți hota înainte de a începe coacerea alimentelor. Lăsați hota în funcțiune 15 minute după stingerea aragazului, pentru a elimina complet mirosul de mâncare. Funcționarea corectă a hotei depinde de întreținerea ei în mod periodic, conform indicațiilor; o atenție mărită trebuie acordată filtrului degresant și filtrului de carbon activ.

• **Filtrul degresant** capturează suspensiile de grăsime din aer și de aceea se poate deseori obtura, în funcție de folosirea aparatului.

- Pentru a preveni pericolul de incendii, la fiecare 2 luni este necesară spălarea filtrelor antigrăsime; acestea vor fi spălate cu mâna, folosind un detergent neutru neabraziv sau în mașina de spălat vase la temperaturi reduse, efectuând cicluri rapide.

- După câteva spălări, pot fi verificate alterațiile de culoare. Acest lucru nu dă dreptul la reclamații în vederea înlocuirii lor.

• **Filtrele cu cărbune activ** au scopul de a depura aerul care este eliberat în atmosferă și au funcția de a diminua mirosurile neplăcute datorate gătitului.

- Filtrele cu cărbune activ neregenerabile trebuie înlocuite la maxim fiecare 4 luni. Saturația cărbunelui activ depinde de utilizarea mai mult sau mai puțin îndelungată a aparatului, de tipul de mâncăruri gătite și de intervalele la care este realizată curățarea filtrului antigrăsime.

• **Înainte de a monta la loc filtrele antigrăsime și filtrele cu cărbune activ regenerabile este important ca acestea să fie bine uscate.**

• **Curățați hota des, atât pe interior cât și pe exterior, cu ajutorul unei lavete îmbibate în spirit sau cu un detergent neutru, neabraziv.**

• Instalatia de lumină este proiectată numai pentru folosirea ei în timpul gătitului și nu pentru a asigura iluminarea generală a bucătăriilor. Folosirea îndelungată a luminii hotei reduce mult durata de viață a becurilor.

• Dacă aparatul este dotat cu lumină ambient aceasta poate fi folosită timp îndelungat pentru iluminarea generală a ambientului.

• **Atenție:** nerespectarea avertizărilor privind curățarea hotei, înlocuirea și curățarea filtrelor duce la crearea riscurilor de incendii. Este recomandată respectarea cu strictețe a instrucțiunilor prezentate.

• Înlocuirea becurilor cu halogen (Fig.6):

Pentru a înlocui becurile cu halogen **B** îndepărtați geamul din sticlă **C** apăsând clamele din fisurile corespunzătoare.

Înlocuiți becurile arse cu altele noi, de același tip. **Atenție:** nu atingeți becul cu mA na.

• Comenzi (Fig.7) slider simbolurile referite mai jos:

A = Întrerupător de lumina

A1 = Buton Off

A2 = Buton On

B = Controlul vitezei

B1 = Buton Off

B2 = Buton PRIMA VITEZA

B3 = Buton a DOUA VITEZA

B4 = Buton a TREIA VITEZA

C = Buton Gemma cu bec de semnalizare.

• Înlocuirea becurilor incandescente/halogene (Fig.8):

Folosiți numai becuri cu același număr de Watt ca al celor instalate.

• Comenzi (Fig.9) slider simbolurile sunt prezentate în continuare:

Hota este dotată cu un **microîntrerupător** cu ajutorul căruia este reglată viteza motorului prin intermediul deschiderii căruciorului telescopic. În cazul în care căruciorul telescopic este închis, vitezele motorului nu vor putea fi activate.

Acest microîntrerupător nu influențează activarea luminilor care trebuie aprinse cu ajutorul întrerupătorului corespunzător (vezi Fig.9A).

A = Întrerupător de lumina

A1 = Buton Off

A2 = Buton On

B = Controlul vitezei

B1 = Buton PRIMA VITEZA

B2 = Buton a DOUA VITEZA

B3 = Buton a TREIA VITEZA.

Atenție! În cazul în care căruciorul telescopic este închis cu viteza setată la 2, când acesta este deschis, hota intră în funcțiune la viteza la care era setată în momentul opririi.

• Comenzi (Fig.10):

Butonul A = Aprinde/stinge lumina.

Butonul B = Pornește/oprește hota. Micșorează viteza motorului. Punerea în funcțiune a hotei se realizează la viteza 1. Dacă hota este în funcțiune, apăsați butonul timp de 2 secunde pentru a o opri. Dacă hota este în viteza 1, nu este necesar să o opriți.

Display C = Indică viteza selectată și activează temporizatorul. **Butonul B** = Pornește hota. Mărește viteza motorului. Prin apăsarea butonului corespunzător vitezei a 3a, se intensifică funcționarea timp de 10', după care hota se întoarce la viteza inițială. În acest interval de timp display-ul emite o lumină intermitentă.

Butonul E = Timer-ul cronometrează durata funcțiilor, din momentul activării lor, timp de 15 minute; apoi, acestea sunt dezactivate. Timer-ul se dezactivează apăsând din nou butonul **E**. Când funcția Timer este activa, zecimala de pe display emit un semnal intermitent. Dacă funcția Viteza intensiva este activată, Timer-ul nu poate fi pus în funcțiune.

Apăsând butonul **E** timp de 2 secunde, când aparatul este oprit, se activează funcția **"clean air"**. Aceasta pune în funcțiune motorul 10 minute pe ora, la viteza întâi. În timpul funcționării, pe ecran apare o miscare rotativă, a segmentelor periferice. La expirarea timpului, motorul se oprește iar pe ecran apare litera **C**, cu un semnal luminos stabil, care rămâne în acest fel 50 de minute; apoi, motorul se repune în funcțiune alte 10 minute, s.a.m.d. Pentru a vă întoarce la modul normal

de funcționare apăsați o tastă oarecare cu excepția celor aprinse. Pentru a dezactiva funcția apăsați tasta E.

• Saturarea filtrului de degresare/carbon activ:

- Când ecranul C este intermitent și viteza de funcționare se alternează cu litera F (de ex. 1 și F) este necesar să spălați filtrele degresante.

- Când display-ul C pâlpâie afișând în mod alternativ viteza de exercițiu și litera A (ex. 1 și A) filtrele cu cărbune activ trebuie înlocuite sau spălate în funcție de tipul de filtru folosit.

După montarea unui filtru curat, este necesar să resetați memoria electronică apăsând tasta A timp de 5 sec., până când ledurile F sau A de pe ecranul C încetează să fie intermitente.

• **Comenzi luminoase (Fig.11)** simbolurile sunt explicate mai jos:

A = Buton LUMINĂ

B = Buton de oprire OFF

C = Buton VITEZA ÎNTĂI

D = Buton VITEZA A DOUA

E = Buton TEMPORIZATOR

F = Buton TEMPORIZATOR OPRIRE AUTOMATĂ 15 minute (*)

Dacă aparatul aflat în posesia dumneavoastră este prevăzut cu viteza **INTENSIVĂ**, pornind de la viteza a TREIA și ținând apăsat timp de circa 2 secunde tasta E, aceasta va fi activată pentru 10 minute după care va reveni la viteza setată în precedentă. Când funcția este activă LED-ul luminează intermitent. Pentru a întrerupe funcția înainte de cele 10 minute, apăsați din nou tasta E. În cazul anumitor modele este posibilă activarea funcției și pornind de la viteza întâi sau a doua.

Apăsând butonul F timp de 2 secunde (cu hota închisă) se va pune în funcțiune "clean air". Aceast procediment va pune în funcțiune motorul timp de 10 minute la fiecare ora în prima viteza. Cum s-a pus în funcțiune, motorul va începe cu 1^o viteza timp de 10 minute în timpul careia trebuie să semnalizeze simultan butoanele F și C. După ce a trecut acest timp motorul se oprește și ledul butonului F rămâne fix aprins, iar după 50 de minute motorul pornește din nou la prima viteza și ledul F și C încep să semnalizeze pe timp de 10 minute, și așa mai departe. Apăsând orice tastă în afară de lumini, hota revine la funcționarea normală (ex. dacă se apasă tasta D se dezactivează funcția "clean air" iar motorul se configurează la a 2^a viteză; apăsând tasta B funcția se dezactivează).

(*) Funcția "TEMPORIZATOR OPRIRE AUTOMATĂ" întârzie oprirea hotei, care va continua să funcționeze timp de 15', la viteza pe care o avea în momentul activării acestei funcții.

• Saturarea filtrului de degresare/carbon activ:

- Când tasta A emite un semnal intermitent, la un interval de 2 secunde, filtrele de degresare trebuie spălate.

- Când tasta A pâlpâie cu o frecvență de 0,5 sec. filtrele cu cărbune activ trebuie spălate sau înlocuite în funcție de tipul de filtru.

După ce ați montat filtrul curat este necesar să ștergeți memoria electronică apăsând tasta A timp de 5 secunde, până când tasta se stinge.

PRODUCĂTORUL ÎȘI DECLINĂ ORICE RESPONSABILITATE PENTRU DAUNELE PROVOCATE PRIN NERESPECTAREA INSTRUCȚIUNILOR DE MAI SUS.

РУССКИЙ

RUS

ОБЩИЕ СВИДЕНИЯ

Внимательно прочитайте содержание данной инструкции, поскольку содержит важные указания, относящиеся к безопасности установок, эксплуатации и техобслуживания. Сохраните инструкцию для любой дальнейшей консультации. Устройство разработано в следующих вариантах исполнения: вытяжное устройство (удаление воздуха из помещения - Рис.3А), фильтрующее устройство (рециркуляция воздуха внутри помещения - Рис.3В) или вариант с применением наружного электродвигателя (Рис.3С).

МЕРЫ ПРЕДОСТОРОЖОСТИ

1. Быть внимательным, если одновременно работает вытяжка и горелка или очаг, нуждающиеся в окружающем воздухе и запитывающиеся иной энергией, кроме электрической. В таком случае вытяжка удаляет из помещения воздух, нужный для процесса сгорания в горелке или очаге. Отрицательное давление в помещении не должно превышать 4Pa (4x10⁻⁵ bar). Для надежной и безопасной работы следует обеспечить вентиляцию помещения. Для наружных выбросов соблюдать правила, действующие в Вашей стране.

Прежде чем подключить прибор к электрической сети:

- Убедиться в соответствии напряжения и мощности прибора, данные о которых помещены на заводской паспортной табличке, сетевым показателям, а также соответствие электросоединителя (розетки). В случае несоответствия розетки обратиться к квалифицированному электрику.

- Если провод электропитания поврежден, заменить его или весь специальный узел у производителя или в уполномоченном центре технического обслуживания.

- Подсоединить устройство к сети электропитания посредством штепсельной вилки с предохранителем 3 А или двухполюсных проводов с предохранителем 3 А.

2. Внимание!

В некоторых случаях электрические приборы могут быть опасными.

A) Не проверяйте состояние фильтров при работающей вытяжке.

B) Не прикасайтесь к лампочкам или к прилегающим зонам в процессе работы системы освещения или сразу же после ее выключения.

C) Запрещается готовить блюда на открытом пламени под кухонной вытяжкой.

D) Избегайте открытого пламени, так как оно повреждает фильтры и может привести к возгоранию.

E) В процессе жарки во фритюре непрерывно следите за процессом во избежание возгорания кипящего масла.

F) Отсоединяйте штепсельную вилку от сетевой розетки перед началом технического обслуживания.

G) Изделие не рассчитано на эксплуатацию детьми или недееспособными лицами без контроля.

H) Не разрешайте детям играть с изделием.

I) Если вытяжка используется одновременно с другими приборами, в которых используется топливный газ или другие виды топлива, в помещении должна быть обеспечена надлежащая вентиляция.

L) В случае выполнения операций по чистке без соблю-

дения инструкций существует опасность возгорания.

Данное изделие имеет маркировку соответствия Европейскому Нормативу 2002/96/ЕС, Утилизация электрических и электронных изделий (WEEE). Проверьте, чтобы по окончании его срока службы данное изделие было сдано в утиль. Этим Вы поможете сохранить окружающую среду.



Символ на изделии или в прилагающейся к нему документации означает, что данное изделие не должно рассматриваться как бытовые отходы, а должно быть сдано в специальный центр утилизации, занимающийся уничтожением электрических и электронных приборов. Изделие должно быть сдано в утиль в соответствии с местными нормативами по утилизации отходов. За дополнительными сведениями касательно обработки, утилизации и уничтожения данного изделия обращайтесь в местное отделение сбора домашних бытовых приборов или в магазин, в котором было куплено изделие.

ИНСТРУКЦИИ ПО УСТАНОВКЕ

• **Монтаж и электрическое подключение должны выполняться квалифицированным техником.**

• **Перед тем, как приступить к монтажным операциям, надеть защитные перчатки.**

• Электрическая связь:

- Прибор имеет класс II, поэтому к заземлению не надо подсоединять никакой провод. Необходимо обеспечить легкий доступ к штепселю после установки аппарата.

В случае поставки аппарата с кабелем без штепселя, для того чтобы подключить его к электрической сети, необходимо установить между аппаратом и сетью мультиполярный выключатель с минимальным расстоянием между контактами 3 мм, рассчитанный на данную нагрузку и соответствующий действующим нормативам.

- Подсоединение к сети электропитания производится в следующем порядке:

коричневый-**L**-линия
синий-**N**-нейтральный.

• Минимальная дистанция между опорной нагревающейся плоскостью и нижней частью кухонного дымососа должна быть не менее **65 см**. Если применяется соединительная труба из двух и более частей, то верхняя часть должна располагаться снаружи нижней части. Не соединять выброс из вытяжки с каналом циркуляции горячего воздуха или с каналом, используемым для отвода дыма от устройств, запитываемых иной энергией кроме электрической. Перед тем как приступить к сборке устройства, для облегчения его монтажа отсоедините фильтр/жироулавливающий фильтр (Рис.4).

- В том случае, если прибор монтируется с вытяжным устройством, рекомендуется обеспечить помещение выводным отверстием.

• Рекомендуется использовать трубу дымохода с таким же диаметром, что и отверстие подачи воздуха. Использование суженной трубы может сократить КПД вытяжки и увеличить ее шумовой уровень.

• Если Ваш прибор предназначен для жилых помещений с централизованной вытяжной трубой, то Вам необходимо выполнить следующие операции:

- Выключатель через термоэлектрическое устройство про-

изводит «открытие-закрытие» клапана. Выключатель в положение **ON** - через минуту клапан вытяжного устройства загрязненного воздуха откроется, повернувшись на 90°. Выключатель в положение **OFF** - через 100 секунд клапан закрывается.

• Установка:

Для правильной установки вытяжки должны быть выполнены следующие пункты:

1. Закрепите вытяжку к нижней части навесной детали.
2. Выбирайте вытяжной либо фильтрующий вариант.

• Монтаж колпака в нижней части навесного шкафа:

Данный тип колпака должно быть встроено в кухонный навесной шкаф или другой суппорт. Для закрепления необходимо использовать 4 болта, соответствующих типу мебели, делая подходящие отверстия, как показано на (Рис.1). Для правильного монтажа проследите, чтобы аппарат и навесной шкаф совпали с задней стороны, выровняйте лобовую часть колпака с дверцей навесного шкафа, регулируя дистанционную деталь **L** справа и слева с помощью болтов **P** (Рис.2).

• Вытяжка с отводом:

При таком способе монтажа вытяжка осуществляет отвод дыма в атмосферу через наружную стену здания или через существующую вентиляционную шахту. С этой целью необходимо приобрести раздвижную невозгораемую дымоходную трубу, соответствующую действующим нормативам, и соединить ее с прилагающимся фланцем **H** (схема 3А).

• Режим рециркуляции:

Для того, чтобы отводная вытяжка работала в режиме рециркуляции, приобретите в магазине фильтры с активированным углем. Установите угольные фильтры в центр узла вытяжки и поверните их на 90° вплоть до щелчка (схема 5). С этой целью снимите панели-жироуловители **G** (схема 4). Воздух возвращается в помещение по соединительному воздуховоду, проходящему через кухонный элемент, и соединенному с кольцом **H** (схема 3В).

ЭКСПЛУАТАЦИЯ И ТЕХХОД

• Рекомендуем ввести аппарат в эксплуатацию, прежде чем приступать к варке какого-либо элемента. Рекомендуем оставить работать аппарат на 15 минут, после завершения приготовления пищи, чтобы полностью выпустить тяжелый воздух. Хорошее функционирование колпака обусловлено правильным и постоянным техническим обслуживанием; особое внимание следует уделить фильтру жира и активированного угля.

• **Жироудаляющий фильтр** должен удерживать жирные взвешенные частицы в воздухе, следовательно, его загрязнение зависит от времени работы прибора.

- Во избежание риска пожара, не реже двух раз в месяц необходимо промывать жироудаляющие фильтры вручную с использованием жидких нейтральных моющих средств без абразивных добавок, или мыть в посудомоечной машинке при низкой температуре и в короткие циклы.

- Цвет может измениться, после нескольких промывок. Этот факт не даёт права на жалобу и замену детали.

• **Фильтры с активированным углём** необходимы для очистки воздуха в помещении и удаляют неприятные запахи при приготовлении пищи.

- Не регенерируемые фильтры с активированным углём необходимо заменять не реже 1 раза в 4 месяца. Насыщение активированного угля зависит от того, часто

использовался прибор, от вида кухни и от регулярности очистки жиросудящего фильтра.

• **Перед тем, как установить жиросудящие фильтры и фильтры с активированным углём, необходимо их тщательно высушить.**

• **Необходимо часто очищать колпак как внутри, так и снаружи, используя увлажнённую денатурированным спиртом ткань или нейтральные не царапающие жидкие моющие средства.**

• Лампы вытяжки служат для освещения варочной панели во время приготовления и не рассчитаны на длительное включение для обычного освещения помещения. Продолжительное использование ламп вытяжек значительно сокращает их средний срок службы.

• Если прибор **оснащён освещением помещения**, оно может быть использовано для длительного применения всего освещения помещения.

• **Внимание:** несоблюдение рекомендаций по очистке вытяжке и замене и очистке фильтров, приводит к опасности пожара. Рекомендуется следовать приведённым инструкциям.

• Замена галогенных ламп (Рис.6):

Для замены галогенных ламп **В** снимите стеклянную крышку **С**, поддев ее отверткой в специальных пазах.

Замените лампы на лампы такого же типа.

Внимание: не прикасайтесь к лампам голыми руками.

• **Сигналы управления (Рис.7) slider-** символика указана ниже:

A = переключатель света

A1 = клавиша Off

A2 = клавиша On

B = клавиша сигнальной лампочки

C = регулятор скорости

C1 = клавиша Off

C2 = клавиша ПЕРВАЯ СКОРОСТЬ

C3 = клавиша ВТОРОАЯ СКОРОСТЬ

C4 = клавиша ТРЕТЬЯ СКОРОСТЬ.

• Замена лампочки накаливания/галогенной (Рис.8):

Использовать только лампочки такого же типа и вольтжажа, что и установленные в приборе.

• **Сигналы управления slider (Рис.9)** символика указана ниже:

Эта вытяжка укомплектована **микровыключателем**, который позволяет включать скорости двигателя посредством открывания выдвигной каретки. Если выдвигная каретка закрыта, скорости двигателя не могут быть включены. Этот микровыключатель не влияет на включение лампочек, которые включаются при помощи специального выключателя (см. схему 9А).

A = переключатель света

A1 = клавиша Off

A2 = клавиша On

B = регулятор скорости

B1 = клавиша ПЕРВАЯ СКОРОСТЬ

B2 = клавиша ВТОРОАЯ СКОРОСТЬ

B3 = клавиша ТРЕТЬЯ СКОРОСТЬ.

Внимание! Если выдвигная каретка закрывается при заданной скорости 2, после ее открывания вытяжка включается на той же скорости, на которой она была выключена.

• Органы управления (Рис.11):

Клавиша А = Включает/выключает подсветку.

Клавиша В = Включение/выключение вытяжки. Вытяжка включается на 1-ой скорости. Если вытяжка включена, нажмите кнопку на 2 секунды, чтобы выключить ее. Если вытяжка работает на 1-ой скорости, не нужно держать кнопку нажатой для ее выключения. Скорость двигателя сокращается.

Дисплей С = показывает скорость мотора, которая была набрана, и включение таймера.

Клавиша D = включает вытяжку. Увеличивает скорость мотора. Нажатие клавиши 3-й скорости вызывает активацию функции интенсивного режима на 10 мин, по истечении которых восстанавливается скорость работы, активной в момент включения данной функции. На период действия интенсивного режима имеет место мигание индикатора.

Клавиша E = Таймер на 15 минут запоминает функции в момент включения после отключения этих функций. Таймер отключается повторным нажатием кнопки **E**. Когда функция Таймер включена, на дисплее должно мигать десятичное значение. Если работает интенсивная скорость, включить функцию Таймер нельзя.

Нажав кнопку **E** на 2 секунды при выключенной вытяжке, включается функция "clean air". Эта функция включает двигатель на 1-ой скорости на 10 минут каждый час. В процессе функционирования на дисплее показываются вращающиеся боковые сегменты. По истечении этого времени двигатель выключается, и на дисплее появляется буква "С" до следующего запуска двигателя на 10 минут по прошествии 50 минут. Чтобы вернуться к нормальной работе, нажать на любую кнопку кроме освещения. Чтобы отключить функцию нажать на кнопку **E**.

• Засорение фильтров-жиросудителей/фильтра с активированным углем:

-Когда на дисплее **C** попеременно мигают значение рабочей скорости и буква **F** (например, **1** и **F**) необходимо вымыть фильтры-жиросудители.

-Когда на дисплее **C** по переменно мигают рабочая скорость и буква **A** (например, **1** и **A**) необходимо заменить или промыть фильтры с активированным углём, в зависимости от вида фильтра.

После установки фильтра на место после чистки необходимо обнулить электронную память, нажав кнопку **A** примерно на **5 сек.** вплоть до прекращения мигания буквы **F** или **A** на дисплее **C**.

• Органы управления светящиеся (Рис.11):

A = кнопка освещения

B = кнопка нулевой

C = кнопка первой скорости

D = кнопка второй скорости

E = кнопка третьей скорости

F = кнопка таймера автоматической остановки через 15 мин (*)

Если в вашем устройстве подключена функция **ИНТЕНСИВНОЙ** скорости, для ее активации необходимо включить ТРЕТЬЮ скорость и держать нажатой в течение примерно 2 секунд кнопку **E**. Эта функция активируется на 10 минут, после чего произойдет возврат к установленной ранее скорости. Во время активации функции мигает светодиодный индикатор. Для остановки функции до истечения 10 минут необходимо снова нажать кнопку **E**. В некоторых моделях возможно активировать эту функцию на первой и второй скорости.

Нажатом положении в течение 2 –х секунд клавишу **F**. Для включения функции "clean air" нажать и держать в таком

положении клавишу **F**. Эта функция ежечасно включает двигатель на первой скорости на 10 минут, в течение которых должны мигать одновременно указатели клавиш **F** и **C**. После чего двигатель выключается, а указатель на клавише **F** остается зажженным. Приблизительно через 50 минут опять включает двигатель на первой скорости, и указатели **F** и **C** начинают мигать в течение 10 минут и т.д. Нажимая на любую кнопку, за исключением света, вытяжка возвращается к нормальному режиму работы (например, при нажатии на кнопку **D**, отключается функция "clean air" и двигатель устанавливается на вторую скорость; нажимая на кнопку **B**, функция отключается).

(*) Функция "**ТАЙМЕР АВТОМАТИЧЕСКОЙ ОСТАНОВКИ**" задерживает отключение вытяжки, которая продолжает работу на скорости, выбранной при включении этой функции через 15 минут.

• Засорение фильтров-жироуловителей/фильтра с активированным углем:

-Когда мигает кнопка **A** с частотой **2 сек.**, необходимо вымыть фильтры-жироуловители.

-Когда мигает кнопка **A** с частотой **0,5 сек.** необходимо промыть или заменить фильтр с активированным углем, в зависимости от его типа.

После установки на место чистого фильтра необходимо обнулить электронную память, нажав кнопку **A** примерно на **5 сек.** вплоть до прекращения мигания.

ФИРМА НЕ НЕСЕТ НИКАКОЙ ОТВЕТСТВЕННОСТИ ЗА УЩЕРБ, ВЫЗВАННЫЙ НЕСООБЛЮДЕНИЕМ ВЫШЕПРИВЕДЕННЫХ ПРЕДУПРЕЖДЕНИЙ.

SVERIGE



OBSERVERA

Läs innehållet i detta instruktionshäfte noga då det tillhandahåller viktig information vad beträffar säkerheten vid installation, användning och underhåll. Spar häftet för eventuella framtida konsultationer. Apparaten är konstruerad för att användas som antingen insugande version (utsugning av luft utomhus - Fig.3A), filtrerande version (återcirkulering av luft inomhus - Fig.3B) eller version med yttre motor (Fig.3C).

SÄKERHETSFÖRESKRIFTER

1. Var uppmärksam om utsugningskåpan fungerar samtidigt som en brännare eller eldhärd som är beroende av omgivningsluften i rummet och som drivs med annan typ av energi än elektrisk energi, eftersom utsugningskåpan suger upp luft från rummet som brännaren eller eldhärden är i behov av för sin förbränningsprocess. Undertrycket i lokalen får inte överskrida 4 Pa (4x10⁻⁵ bar). För att garantera säkerheten rekommenderas därför en god ventilation av lokalen. Vad beträffar det utvändiga utsläppet skall de i det aktuella landet gällande normerna och föreskrifterna respekteras.

Innan apparaten kopplas till elnätet:

- Kontrollera typskylten (på insidan av apparaten) och försäkra dig om att spänning och effekt motsvarar elnätets och att stickkontakten passar. Rådfråga kunnig eltekniker, om du är tveksam.

- Om nätkabeln är skadad ska den bytas ut mot en ny kabel eller en specialsats som tillhandahålls av tillverkaren eller dess

tekniska servicetjänst.

- Anslut strömförsörjningsaggregatet via en stickkontakt med en säkring på 3A eller till tvåfasanslutningens två trådar som ska skyddas av en säkring på 3A.

2. Observera!

I vissa situationer kan elektrisk utrustning utgöra en fara.

A) Kåpan ska inte vara i drift när filtrens skick kontrolleras.

B) Vidrör inte glödlampor eller områden runt dessa direkt efter längre tids användning av belysningen.

C) Det är förbjudet att tillaga flamberade rätter under kåpan.

D) Undvik fria lågor. Dessa kan skada filtren och försaka brand.

E) Vid fritering ska tillagningen hållas under konstant uppsikt för att förhindra att oljan tar eld.

F) Koppla från kontakten från stickkontakten innan underhållsmoment utförs.


G) Utrustningen är inte avsedd att användas av barn eller oförmögna personer, utan uppsikt av en vuxen.

H) Kontrollera att barn inte leker med utrustningen.

I) När kåpan används samtidigt med utrustning som bränner gas eller andra bränslen, ska lokalen ha en god ventilation.

L) Om rengöringsmomenten inte utförs med respekt för anvisningarna finns det risk för att brand uppstår.

Den här apparaten överensstämmer med europadirektiv 2002/96/EG, Waste Electrical and Electronic Equipment (WEEE). Genom att försäkra sig om att den här produkten elimineras på rätt sätt, bidrar användaren till att förebygga eventuella negativa följdriker för miljö och hälsa.

 Symbolen på produkten eller på bifogad dokumentation indikerar att den här produkten inte ska behandlas om hushållsavfall utan ska överlämnas till lämplig avfallsstation för återvinning av elektriska och elektroniska apparater. Kassera enligt gällande lokala normer för avfallshantering. För ytterligare information om hantering och återvinning av produkten, kontakta det lokala koret, uppsamlingsstation för hushållsavfall eller affären där produkten inhandlats.

INSTALLATIONS INSTRUKTIONER

• **Ltgärder för montering och elanslutning måste utföras av kunnig personal.**

• **Sätt på dig skyddshandskar innan du påbörjar monteringsförfarandet.**

• **Elanslutning:**

-Apparaten är av typklass II, och inga kablar skall därför jordanslutas. Stickkontakten ska vara lättåtkomlig efter att utrustningen har installerats. Om utrustningens nätkabel saknar stickkontakt, är det nödvändigt att installera en flerpolig brytare mellan utrustningen och elnätet. Brytaren ska ha en min. öppning mellan kontaktarna på 3 mm, vara dimensionerad för belastningen och uppfylla gällande lagstiftning.

-Nätanslutningen skall utföras på följande sätt:

BRUN = L fas

BLÅ = N nolla.

• Det minimala avståndet mellan kokkårlens underlag på kokhällen och spisfläktens nedre del måste vara minst **65 cm**. I det fall ett anslutningsrör används som består av två eller flera delar, måste den övre av delarna träs utanpå den undre delen. Anslut inte kåpan utlopps rör till luftkanaler i vilka varmluft cirkulerar, eller kanaler som används för att evaku-

era rök från apparater som drivs med annan typ av energi än elektrisk energi. För att förenkla handhavandet av apparaten ska antifettfiltret/-en tas ur innan monteringsmomenten påbörjas (Fig.4).

- Om apparaten ska monteras med utsugningversion ska hål för luftuttömning anordnas.

• Det rekommenderas att använda ett ventilationsrör med samma diameter som öppningen för luftutgången. Om ett reducerestycke används försämras utrustningens kapacitet och bullernivån ökas.

• Om den inköpta apparaten är avsedd för användning i bostäder med centralfläkt så ska följande åtgärder utföras:

- Omkopplaren styr öppning och stängning av en ventil via en termoelektrisk anordning. Om omkopplaren ställs i läge **ON** så öppnas ventilen efter en minut och vrids i 90° så att den instängda luften kan tömmas ut. Om omkopplaren ställs i läge **OFF**, så stängs ventilen efter 100 sekunder.

• Installation:

För en korrekt installation av kåpan skall nedanstående schema följas:

1. Montering av kåpan i underkanten på skåpet.
2. Val av version (uppsugning Fig.3A eller filter Fig.3B).

• Montering av kåpan i underkanten på skåp:

Denna typ av apparat skall monteras i skåp eller annan typ av stomme. Fyra skruvar som passar typen av material skall användas för att fixera apparaten i hålen enligt schemat på (Fig.1). Kåpans front skall riktas i linje med skåpdörren och distanslisten **L** skall anpassas med hjälp av skruvarna **P** (Fig.2). Justera därefter apparaten i bakkanten.

• Insgående version:

Med denna typ av installation leder utrustningen ut all ånga utomhus via ett hål i väggen eller en kanalisering. För bortledningen av ångan är det nödvändigt att köpa ett oantändbart teleskopväggrör som överensstämmer med gällande föreskrifter. Teleskopväggröret ska anslutas till den medlevererade flänsen **H** (Fig.3A).

• Filterversion:

För att omvandla uppsugningsversionen till en filterversion, skall en återförsäljare kontaktas för köp av aktiva kolfiltre. Filtren skall sättas på uppsugningsenheten som sitter inuti kåpan genom att rotera dem 90 grader tills de kopplats i (Fig.5). Avlägsna galleret **G** (Fig.4) innan arbetet utförs. Luften släpps ut i lokalen genom ett anslutningsrör som passerar genom skåpet och som är anslutet till kopplingsringen **H** (Fig.3B).

ANVÄNDNING OCH UNDERHÅLL

• Det rekommenderas att starta utrustningen innan någon typ av livsmedel tillagas. Vi rekommenderar att du låter apparaten gå i 15 minuter efter att matlagningen avslutats, så att matoset helt sugts ut. Kåpan ska underhållas regelbundet och på ett korrekt sätt för att fungera på bästa sätt. Detta gäller i synnerhet avfettningsfiltret och filtret med aktivt kol.

• **Avfettningsfiltret** har till uppgift att stoppa fettpartiklarna som finns i luften. Detta filter sätts igen efter en viss tid, beroende på hur mycket utrustningen används.

- För att undvika risk för brand är det nödvändigt att tvätta avfettningsfiltret för hand med flytande neutralt icke-polerande diskmedel eller i diskmaskin på låg temperatur och med kort program minst en gång varannan månad.

- Efter några tvättar kan filtren ändra färg lite. Detta ger inte

rätt till reklamation för eventuell ersättning av dem.

• **De aktiva kolfiltren** används för att rena luften som återcirkuleras till rummet och har som funktion att mildra de otrevliga lukter som genereras av matlagning.

- Engångskolfiltren bör bytas ut minst var 4:e månad. Det aktiva kolets måttand beror på hur mycket apparaten har använts, på typen av kök samt på hur ofta avfettningsfiltret rengörs.

• **Innan du sätter tillbaka avfettningsfiltren och de återanvändbara aktiva kolfiltren är det viktigt att dessa har torkat ordentligt.**

• **Rengöra kåpan regelbundet både på insidan och utsidan med en trasa fuktad med denaturerad sprit eller mildt flytande rengöringsmedel som inte slipar.**

• Belysningen är avsedd att endast vara tänd under tillagningen och inte för att lysa upp rummet i allmänhet under en längre tid. Om belysningen är tänd under en längre tid förkortas lampornas livslängd betydligt.

• Om apparaten är försedd med **innebelysning** kan denna användas som allmän rumsbelysning under längre tid.

• **Viktigt!** Att ignorera anvisningarna om rengöring av kåpan samt om byte och rengöring av filtren medför brandrisk. Det rekommenderas därför att man följer dessa instruktioner.

• Byta halogenlampor (Fig.6):

För att byta halogenlamporna **B**, bänd upp glaset **C** i springorna. Byt ut mot lampor av samma typ. **OBS!** Ta inte i lampan med bara händer.

• Kommandoknappar (Fig.7) slider:

A = Knapp till belysningen

A1 = Avstängningsknapp

A2 = Startknapp

B = Kontroll av hastigheten

B1 = Avstängningsknapp

B2 = Knapp för hastighet 1

B3 = Knapp för hastighet 2

B4 = Knapp för hastighet 3

C = Knapp med kontrollampa.

• Byte av glödlampor/halogenlampor (Fig.8):

Använd enbart lampor av samma typ och med samma wattvärde som installerats på apparaten.

• Kommandoknappar slider (Fig.9):

Denna kåpa är försedd med en **mikrobrytare** som medger att starta fläktmotorn genom att öppna teleskopvagnen. Om teleskopvagnen är stängd kan inte fläktmotorns olika hastigheter aktiveras. Denna mikrobrytare påverkar inte tändningen av lamporna. Dessa lampor tänds med en särskild brytare (se Fig.9A).

A = Knapp till belysningen

A1 = Avstängningsknapp

A2 = Startknapp

B = Kontroll av hastigheten

B1 = Knapp för hastighet 1

B2 = Knapp för hastighet 2

B3 = Knapp för hastighet 3.

Observera! Om fläkthastigheten är inställd på 2 när teleskopvagnen stängs, aktiveras samma hastighet nästa gång som teleskopvagnen öppnas.

• Manöverfunktioner (Fig.10):

Tangent A = Slår på/Av belysningen.

Tangent B = Slår på/Av kåpan. Apparaten startar med den lägsta hastigheten. Om kåpan fungerar skall tangenten tryckas in halv

sekund för att slås av den. Om klåpan fungerar med den lägsta hastigheten behöver man inte hålla tangenten intryckt för att stänga av den. Minskar motorns hastighet.

Display C = Anger den valda motorhastigheten och aktiveringen av timern.

Tangent D = Slår på klåpan. Ökar motorns hastighet. Om tangenten för den tredje hastigheten trycks in startar den intensiva hastigheten under 10 sekunder för att sedan återgå till den arbets hastighet som var aktiv före ingreppet. Displayen blinkar under denna funktion.

Tangent E = Om Timer ställer in funktionstiderna vid aktiveringen på 15 minuter, varefter de stängs av. Avaktivera timern genom att trycka på knapp **E**. När funktionen Timer är aktiv på displayen ska decimalpunkten blinka. Om hastighetens intensivläge är i funktion kan timern inte aktiveras.

Genom att trycka på knapp **E** i 2 sekunder, när apparaten är avstängd, så aktiveras funktionen "**clean air**". Denna tändar motorn i 10 minuter varje timme på första hastigheten. Under funktion ska displayen visa de perifera segmentens rotation. När denna tid gått ut släcks motorn och displayen visar den lysande bokstaven "**C**" tills motorn efter ytterligare 50 minuter startar igen och går i 10 minuter igen och så vidare. Tryck på vilken knapp som helst utom ljusknappen för att återgå till normalt funktionssätt. Tryck på knappen **E** för att avaktivera funktionen.

• Orena fettfilter/aktivt kolfilter:

- När displayen **C** blinkar och visar omväxlande drifhastigheten och bokstaven **F** (t.ex. **1** och **F**) ska fettfiltren rengöras.

- När displayen **C** blinkar och visar omväxlande driftshastigheten och bokstaven **A** (t.ex. **1** och **A**) ska de aktiva kolfiltren rengöras eller bytas beroende på typen av filter.

När det rena filtret har satts tillbaka, ska det elektroniska minnet nollställas genom att trycka ned knappen **A** i cirka **5 sek** tills signalerna **F** eller **A** slutar att blinka på displayen **C**.

• **Manöverfunktioner lysande (Fig.11)** beskrivs symbolerna här nedan:

A = Knapp för BELYSNING

B = Knapp OFF

C = Knapp FÖRSTA HASTIGHET

D = Knapp ANDRA HASTIGHET

E = Knapp TREDJE HASTIGHET

F = TIMER FÖR AUTOMATISK AVSTÄNGNING EFTER 15 minuter (*)

Om din apparat är försedd med funktionen **INTENSIVLÄGE** aktiverar du funktionen från den TREDJE hastigheten genom att hålla knappen **E** intryckt i ungefär 2 sekunder. Funktionen förblir aktiv i ungefär 10 minuter och därefter återgår fläkten till tidigare vald hastighet. Lysdioden blinkar när funktionen är aktiv. För att avbryta funktionen innan det har gått 10 minuter, tryck in knappen **E** igen. På vissa modeller går det att aktivera funktionen även med den första och den andra hastigheten.

Tryck på knapp **F** i 2 sekunder (när fläkten är avstängd) för att sätta igång funktionen "**clean air**". Genom denna funktion sätts fläktnet igång i 10 minuter varje timme på hastighet ett. Omedelbart efter att ha aktiverat denna funktion, sätts motorn igång på hastighet ett under 10 minuter, medan knapp **F** och knapp **C** samtidigt blinkar. Därefter släcks motorn och lysdiod **F** förblir tänd med fast ljus ända tills motorn efter ytterligare 50 minuter startar igen på hastighet ett och lysdioderna **F** och **C** börjar blinka igen i 10 minuter osv. Genom att trycka på vilken knapp som helst förutom ljusknapparna återgår fläkten till normal drift (t.ex. om du trycker på knappen **D** avaktiveras funktionen "**clean air**", och motorn ställs in på hastighet 2. Om

du trycker på knappen **B** avaktiveras funktionen).

(*) Funktionen "**TIMER FÖR AUTOMATISK AVSTÄNGNING**" fördröjer avstängningen av klåpan, som fortsätter att fungera i 15 minuter med samma arbets hastighet som vid påslagningen av denna funktion.

• Orena fettfilter/aktivt kolfilter:

- När knappen **A** blinkar med ett intervall på **2 sek.** ska fettfiltren rengöras.

- När knappen **A** blinkar med en frekvens av **0,5 sek.** bör de aktiva kolfiltren rengöras eller bytas beroende på typen av filter.

När det rena filtret har satts tillbaka, ska det elektroniska minnet nollställas genom att trycka på knapp **A** i cirka **5 sek.** tills varningslampan slutar att blinka.

TILLVERKAREN FRÅNSÄGER SIG ALLT ANSVAR FÖR EVENTUELLA SKADOR SOM ORSAKTS P.G.A. ATT OVANSTÄENDE INSTRUKTIONER INTE RESPEKTERATS.

