

Instruction manual  
Инструкция по эксплуатации

Microwave oven BR2501  
Микроволновая печь BR2501



## СОДЕРЖАНИЕ

EN.....	3
DE.....	15
RU.....	29
KZ.....	43

## MICROWAVE OVEN BR2501

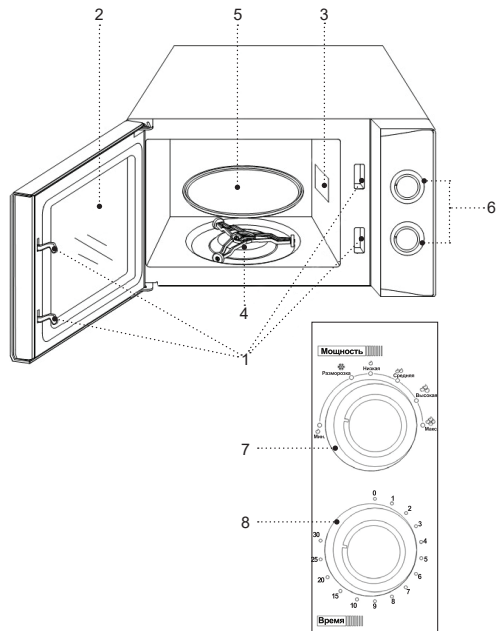
The microwave oven is intended for cooking, reheating food and beverages.

### DESCRIPTION

1. Oven door latches
2. Oven door
3. Microwave output
4. Roller support
5. Glass tray
6. Control panel
7. Operation mode switch knob
8. Operation time setting knob

### ATTENTION!

For additional protection it is reasonable to install a residual current device (RCD) with nominal operation current not exceeding 30 mA into the mains circuit. To install RCD, contact a specialist.



## SAFETY MEASURES FOR PREVENTION OF EXPOSURE TO MICROWAVE RADIATION

- It is prohibited to operate this oven with the door open, as exposure to microwave energy is dangerous.
- Do not make any changes in electric circuits of protective oven door blocking system.
- Do not place foreign objects between the body of the oven and its door, remove thoroughly dirt or remaining detergents from the inner side of the door.
- The microwave output point (3) is covered with a mica plate, do not remove it and keep it clean.
- Do not use the oven when it is damaged, it is especially important that the oven door closes properly.
- Make sure that there is no:
  - mechanical damage to the oven door;
  - damage to the door hinges and blocking system latches;
  - damage to the protective screen on the inner side of the oven door.
- Adjustments and repair of the microwave oven should be performed by specialists of service centers only.

## SAFETY MEASURES AND OPERATION RECOMMENDATIONS

**ATTENTION!** Do not operate the microwave oven if the door or the door sealings are damaged until the defect is repaired by specialists of a service center!

**ATTENTION!** All maintenance and repair works concerning the removal of the lids protecting from the microwave radiation should be performed by specialists of a service center only!

- Read the operation instructions carefully before using the microwave oven, after reading keep them for future reference.
- Use the unit for its intended purpose only, as it is stated in this manual.
- Mishandling the unit can lead to its breakage and cause harm to the user or damage to the user's property, which is not covered by warranty.
- The microwave oven is intended for cooking or reheating food and beverages. Drying food, clothes, damp cloth, warming up hot-water bags, sponges and similar objects may lead to the oven damage, inflammation of objects or fire.
- Make sure that the operating voltage of the unit indicated on the label corresponds to your home mains voltage.
- To avoid fire, do not use adapters for connecting the microwave oven to the mains.
- Do not touch the microwave oven body, the power cord and the power plug with wet hands.

- Do not use the microwave oven outdoors.
- It is recommended not to use the unit during lightning storms.
- Protect the unit from impacts, falling, vibrations and other mechanical stress.
- Do not use the unit near heating appliances, heat sources or open flame.
- To prevent tangling of power cord the microwave oven is equipped with a short power cord.
- If it is necessary to use an extension cord, use only a 3-wire extension cord with a grounding contact on the power plug and in the socket.
- Wire section marking of the microwave oven power cord and of the extension cord should match.
- The extension cord should not hang from the edges of the table, where children can pull it and it should be placed in such way that excludes possibility of stepping on it.
- Do not immerse the power cord of the microwave oven and the power plug into water or into any other liquids.
- Make sure that the power cord of the microwave oven and the power plug do not touch hot surfaces and sharp edges of furniture.
- The unit is not intended for activation by an external timer or a separate remote control system.
- When unplugging the microwave oven, hold the power plug and carefully remove it from the mains socket, do not pull the power cord, as this can lead to its damage and cause a short circuit.
- The microwave oven is not intended for building into the kitchen furniture.
- Do not block the ventilation openings on the microwave oven body.
- Do not switch the microwave oven on without food inside.
- Used cookware should be preliminarily tested for usage in a microwave oven.
- Cookware can heat up strongly receiving heat from the cooked products, thus it is necessary to use potholders.
- During food cooking, the temperature of the microwave oven accessible surfaces can be high. The oven door outer surface can also be hot during operation. To avoid burn, do not touch the hot surfaces of the oven.
- To avoid fire in the process chamber of the oven, it is necessary:
  - Do not use the process chamber of the microwave oven for storage of various objects or food. Do not leave paper or kitchen utensils in the microwave oven, even if it is not used.
  - During reheating food in a plastic or paper container, it is necessary as often as possible to control the process of reheating to avoid the inflammation of the container.
  - Before putting food in paper or plastic bags in the oven, it is necessary to remove metal objects from them (wire twist-ties, foil etc.).

- In case of smoke appearance switch the microwave oven off, unplug it to avoid fire spreading, do not open the oven door and take measures to prevent fire spreading.

**WARNING:**

- Do not warm up liquids or food in closed containers, as they can explode.

- After finishing reheating beverages, their strong boiling may happen, so be careful while taking beverages out of the oven.

- It is necessary to shake feeding-bottles and pots with baby food and to check the temperature of the content after reheating, before giving it to a child to avoid burns.

- Do not use the microwave oven for heating of the oil that will be used for deep frying. Hot oil may boil suddenly and damage the details of the oven or cookware and may lead to burns.

- Do not warm up or cook shell eggs in the microwave oven, as they can explode even after switching the oven off.

- Pierce pithy products, such as potatoes, vegetable marrows, apples etc., in several places immediately before their cooking.

- It is necessary to clean the oven process chamber regularly and to remove all the remaining food.
- Insufficient oven process chamber cleanness may

lead to the damage to the process chamber surface, it will decrease the unit operating life or may lead to occurrence of a dangerous situation.

- For children safety reasons do not leave polyethylene bags used as a packaging unattended.

**Attention!** Do not allow children to play with polyethylene bags or packaging film. **Danger of suffocation!**

- The unit is not intended for usage by children.
- Do not leave children unattended to prevent using the unit as a toy.
- Do not allow children to touch the operating surface, the unit body, the power cord or the power plug during operation of the unit.
- Be especially careful if children or disabled persons are near the operating unit.
- The unit is not intended for usage by physically, sensory, psychically or mentally disabled persons (including children) or by persons lacking experience or knowledge if they are not under supervision of a person who is responsible for their safety or if they are not instructed by this person on the usage of the unit.
- From time to time check the power cord insulation.
- If the power cord is damaged, it should be replaced by the manufacturer, a maintenance service or similar qualified personnel to avoid danger.

- Do not repair the unit by yourself. Do not disassemble the unit by yourself, if any malfunction is detected, and after the unit was dropped, unplug it and apply to the service center.

**WARNING:**

In case the microwave oven is damaged due to the user, the user is deprived of the right for free warranty maintenance and repair of the unit.

- To avoid damages, transport the unit in the original package. Before transportation of the oven, make sure that you have fixed the glass tray to avoid damage to it.
- Keep the unit in a dry cool place out of reach of children and disabled persons.

**THE UNIT IS INTENDED FOR HOUSEHOLD USE ONLY, DO NOT USE THE UNIT FOR COMMERCIAL OR LABORATORY PURPOSES.****GENERAL RULES FOR FOOD COOKING IN MICROWAVE OVENS**

- During food cooking, use microwave-safe cookware by putting it on the glass tray.
- For even heating of products, put thicker slices of products near the edges of the cookware.
- To speed up cooking process turn over fast food, such as hamburgers, and large pieces of meat once or several times.
- When cooking bacon, do not put it immediately on the glass tray, local overheating of the glass tray can lead to appearance of cracks in it.
- Cook products under a microwave-safe lid, the lid will prevent juice or fat spattering and help food to cook evenly.
- Follow the cooking time. Set the shortest possible cooking time, if necessary, you can increase cooking duration.
- Do not exceed the cooking time, it can lead to burning of the products.
- Do not forget to open hermetic or vacuum package of products before heating or cooking them. Otherwise the pressure that will be created inside the package can burst the package.
- Shell eggs and hard-boiled eggs should not be cooked and heated up in the microwave oven since they may explode due to increase of inner pressure even after the switching the oven off.
- Pierce heavy skins of products (such as potatoes, vegetable marrows or apples) in several places before cooking.
- Feeding bottles and baby food jars should be placed in the oven without lids and teats. The contents of the container should be stirred or shaken periodically. Before feeding the baby, always check the temperature of the product, to avoid burns.

### RECOMMENDATIONS ON CHOOSING COOKWARE

- Use special cookware for cooking and heating up food in microwave ovens.
- Material of cookware for microwave ovens should be «transparent» for microwaves, it allows microwave energy to pass freely through the cookware and to cook or warm up food.
- Microwaves can not pass through metal, so do not use metal cookware or cookware with metal finishing in the microwave oven.
- Do not put the cookware made of recycled paper in the oven, as it may contain metal inclusions which may cause package burning.
- It is better to use round or oval dishes, and not square or rectangular containers, as food in the corners of such containers will overheat.
- You can use narrow stripes of aluminum foil to prevent overheating of outstanding parts of the products. Be careful, there should not be much aluminum foil and the distance from foil to the oven process chamber walls should be at least 2-3 cm.
- Do not use cookware with shears or cracks.

### COOKWARE TESTING BEFORE USING IT IN A MICROWAVE OVEN

- Before using cookware, it is recommended to check it for suitability in the microwave oven in an easy way.
- Put the cookware, for instance, a plate, on the glass tray in the oven process chamber; place a glass with cold water on the plate.

- Switch the microwave oven on at the maximal power and set the operation time for no longer than 1 minute.
- Carefully touch the cookware being tested, if the cookware is hot, and the water in the glass is cold, do not use such cookware for food cooking in the microwave oven.
- Do not exceed the cookware testing time for more than 1 minute.

### MATERIALS AND COOKWARE FOR USING IN THE MICROWAVE OVEN

Dinnerware	Use the cookware having the respective marking. Follow the cookware manufacturer's instructions. Do not use cookware with cracks or shears
Glass containers	Use containers made of heat-resistant glass. Make sure that the cookware does not have any metal rims. Do not use the containers with cracks or shears
Glassware	Use cookware made of heat-resistant glass. Make sure that the cookware does not have any metal rims. Do not use cookware with cracks or shears
Using special bags	Follow the manufacturer's instructions. Do not close the bags with metal twist-ties. It is necessary to make several openings in bags for steam release



Paper plates and cups	Use paper plates and cups only for short-time cooking/heating food. Do not leave the microwave oven unattended during cooking/heating up food in such cookware
Paper towels	You can cover the food with paper towels to keep warm or to avoid fat splashing. Use paper towels at constant control and only for short-time cooking/warming
Parchment	Use parchment paper to avoid fat splashing or as a wrap.
Plastic	Use plastic items having respective marking. Follow the manufacturer's instructions. Some plastic containers may soften as the result of heating of food contained in them, be careful, taking the containers out of the microwave oven. It is necessary to pierce or cut hermetically sealed plastic bags as it is shown on the packages
Wax-paper	Use wax paper to avoid fat splashing and to keep warm and moisture

### **MATERIALS AND COOKWARE, NOT SUITABLE FOR USING IN THE MCROWAVE OVEN**

Aluminum trays and foil	Foil and aluminum trays may cause sparking. Use the cookware specially intended for using in the microwave oven
Cardboard cup with metal handle	Cardboard cups with metal handle may cause sparking. Use the cookware specially intended for using in the microwave oven

Metal cookware or cookware with a metal rim	Microwave energy can not go through metal. Metal rim may cause sparking
Metal twist-ties	Metal twist-ties may cause sparking or ignition of the package during cooking/heating up food
Paper bags	Paper bags may lead to inflammation in the microwave oven process chamber
Soap	Soap may melt and make the microwave oven process chamber dirty
Wood	Wooden cookware may dry out, crack and inflame

### **BEFORE THE FIRST USE**

**After the unit's transportation or storage at negative temperature, unpack it and wait for at least 3 hours before using.**

- Unpack the microwave oven and remove all the packaging materials and advertising stickers.
- If there is a protective film on the unit body, remove it from the surface of the body.
- Do not remove the light-gray mica plate inside the process chamber at the microwave output point (3), as it serves for magnetron protection.
- Keep the original package.
- Read the safety measures and operating recommendations.
- Check the delivery set.

- Make sure that specified specifications of power supply voltage of the unit correspond to the specifications of your mains.

## **INSTALLING THE MICROWAVE OVEN**

### **WARNING:**

- Before installing the microwave oven, it is necessary to make sure that there is no damages, for example, bent or turned door, damaged sealing surfaces, broken or loose door hinges and blocking system latches, and that there is no dimples inside the oven process chamber and on the oven door.

- In case of any damages, do not switch the microwave oven on, apply to a commercial company or to a service center.

- Do not use the microwave oven outdoors.
- Good ventilation is needed for proper operation of the microwave oven.
- Do not install and use the microwave oven in places with high moisture and temperature, and near inflammable objects or liquids, and in places of their storage.
- Set the oven in places out of reach of children.
- Set the microwave oven on an even, dry and stable surface, capable of bearing the weight of the microwave oven and the maximal weight of the products, which will be cooked in it.

- Place the oven so that the distance between the wall and the rear and the sides of the oven remains at least 20 cm, and the free space above the oven is at least 30 cm.
- The mains socket should be near the microwave oven to take the power plug out of the socket promptly at the moment of emergency need.
- Do not remove the limiters located on the rear of the oven, as they ensure the necessary clearance for air circulation.
- Do not remove the legs of the oven.
- Use the microwave oven only in the household.

## **INSTRUCTIONS ON MICROWAVE OVEN GROUNDING**

- The microwave oven should be securely grounded. In case of any inner short circuit, grounding reduces the risk of electric shock, because the current will pass through the ground wire.
- The power cord of the microwave oven is three-wire with a ground conductor, and the power plug has a ground contact. The power plug should be connected to a mains socket, which should have a ground contact.

### **WARNING:**

Connecting the power plug of the microwave oven with a ground contact to a mains socket, which has not a ground contact, can lead to the risk of electric shock.

- Consult a qualified electrician, if the oven grounding instructions are not clear to you or there are doubts that the microwave oven is securely grounded.
- The wires in the power cord have the following color marking:
  - Yellow-green – «GROUNDING»
  - Blue – «NEUTRAL»
  - Brown – «VOLTAGE»

### **RADIO INTERFERENCE**

- During operation, the microwave oven may cause interference in operation of radio sets, TV-sets and other similar equipment.
- In the event of such interference, they can be reduced or completely removed by taking the following measures:
  - reorientate the receiving antenna of the radio set or the TV-set;
  - change the position of the microwave oven relative to the radio set or the TV-set;
  - move the microwave oven away from the radio set or the TV-set;
  - plug the microwave oven into another socket so that the oven, the radio set and the TV-set are connected to the different mains circuits.

## **ASSEMBLING THE MICROWAVE OVEN**

### **Installing the glass tray**

- Open the oven door (2).
- Set the roller support (4) of the glass tray (5) in the groove located in the process chamber bottom.
- Carefully set the glass tray (5) on the roller support (4).
- Do not set the glass tray (5) with its bottom side up.

### **Notes:**

- do not prevent rotation of the glass tray (5) during the oven operation. During operation of the microwave oven the glass tray (5) can rotate clockwise or counterclockwise.
- it is necessary to set food and cookware for food cooking only on glass tray (5).
- in the event of cracks or shears on the glass tray (5), replace it immediately.

### **COOKING OR HEATING FOOD**

- Insert the power plug into the mains socket.
- Open the door (2), put the food in the microwave oven and close the door (2) of the oven.
- To set the power level, turn the operation mode switch knob (7) and set it to the necessary position:
  - «Max.» - maximal power – 100%
  - «High» - high power – 88%

«Medium» - medium power – 73%

«Low» - low power – 52%

«Defrost» - food defrost mode – 42%

«Min.» - minimal power – 20%

- Food cooking time is set by turning the knob (8).
- You can set food cooking time from 1 to 30 minutes.

#### **Notes:**

- the microwave oven switches on by turning the knob (8);

- if it is necessary to set the operation time for 1-2 minutes, it is recommended to turn the knob (8) further than «1-2» mark, and after that to turn the knob (8) and to set the minimal operation time for «1-2» minutes.

- If it is necessary to switch the oven off during food cooking, turn the knob (8) to the position «0».

**WARNING:** Always switch the oven off by setting the knob (8) to the position «0».

#### **BEFORE APPLYING TO THE SERVICE CENTER**

- If the microwave oven does not switch on, the following is recommended:
  - make sure that there is voltage in the mains socket by connecting known good electric appliance to it;
  - make sure that the power plug of the microwave oven is tightly inserted in the mains socket.

- check to see if the electric circuit breaker has actuated, if the circuit breaker is in working order, it is necessary to check the mains socket by connecting known good electric appliance to it;

- make sure that the microwave oven door is tightly closed, otherwise the microwave oven will not switch on;

- make sure that the operation mode switch and the timer are properly installed.

**IF ANY OF THE MENTIONED STEPS DOES NOT ALLOW TO SOLVE THE PROBLEM, IT IS NECESSARY TO APPLY TO THE SERVICE CENTER.**

**DO NOT REPAIR THE MICROWAVE OVEN BY YOURSELF.**

#### **CLEANING AND MAINTENANCE**

**Clean the oven regularly. Absence of due maintenance of the microwave oven may adversely affect its operation, cause wear of the surfaces and create a potential hazard to the user.**

- Before cleaning the microwave oven, switch it off and unplug it.
- Keep the control panel away from humidity, clean it with a soft, slightly damp cloth, then wipe it dry.
- Keep the microwave oven process chamber clean. If food pieces or leaks remained on the oven walls, remove them with a damp cloth.

- If the process chamber is very dirty, you may use a mild detergent.
- Do not use abrasive detergents for cleaning outer and inner surfaces of the oven.
- Make sure that no water or detergent gets into openings on the body lid, intended for outlet of air and steam.
- Keep the oven door clean, regularly clean the oven door from two sides.
- Do not allow accumulation of crumbs and food pieces between the door and the front panel, it may prevent the oven door from normal closing.
- Regularly take out and clean the glass tray and its roller support; wipe the bottom of the process chamber.
- Wash the glass tray and the roller support in warm water with a neutral detergent, then rinse and dry.
- The roller support and the glass tray may be washed in a dishwasher.
- Do not immerse the heated glass tray into cold water: the glass tray may crack due to extreme temperature difference.
- To remove foreign smells in the oven process chamber, mix juice and peel of one lemon in a cup of water, pour into a microwave-safe soup plate or container and place on the tray, switch the oven on at the medium power and set the operation time from 5 to 8 minutes.
- Open the door and clean the oven process chamber thoroughly.

## STORAGE

- Before taking the microwave oven away for long-term storage, clean the process chamber and the outer surface of the body of the oven.
- Keep the microwave oven in a dry cool place out of reach of children and disabled persons.

## DELIVERY SET

1. Microwave oven – 1 pc.
2. Roller support – 1 pc.
3. Glass tray – 1 pc.
4. Instruction manual – 1 pc.

## TECHNICAL SPECIFICATIONS

- The microwave oven is placed in class B, group 2.
- The group 2 equipment: group 2 includes all the ISM radio-frequency equipment, where radio-frequency energy in the frequency range from 9 kHz to 400 GHz is only deliberately generated and used locally, in the form of electromagnetic emission, inductive and/or capacity coupling, for material processing, for the purposes of control/analysis or for transfer of electromagnetic energy.
- The class B equipment is the equipment, suitable for residential use and for use in institutions directly connected to the low-voltage mains, which supply buildings used for purposes related to human life.

**Operation conditions:**

- Air temperature: from +10° C to +35° C
- Relative air humidity: 35-80%
- Air pressure: 86-106 kPa (650 – 800 mm Hg).

**Main specifications**

- Power supply: 220-240 V, ~ 50 Hz
- Rated input power in the microwave mode: 1200 W
- Rated output microwave power: 700 W
- Operation frequency: 2450 ± 49 MHz
- Capacity of the process chamber: 20 l
- Diameter of the glass tray: 245 mm
- Dimensions: 262×452×330 mm
- Net weight: 10.5 kg

**RECYCLING**

To prevent possible damage to the environment or harm to the health of people by uncontrolled waste disposal, after expiration of the service life of the unit or the batteries (if included), do not discard them with usual household waste,

take the unit and the batteries to specialized stations for further recycling.

The waste generated during the disposal of products is subject to mandatory collection and consequent disposal in the prescribed manner.

For further information about recycling of this product apply to a local municipal administration, a household waste disposal service or to the shop where you purchased this product.

The manufacturer reserves the right to change the design, structure and specifications not affecting general operation principles of the unit, without prior notice.

**The unit operating life is 3 years**

The manufacturing date is specified in the serial number.

In case of any malfunctions, it is necessary to apply promptly to the authorized service center.

## MIKROWELLENOFEN BR2501

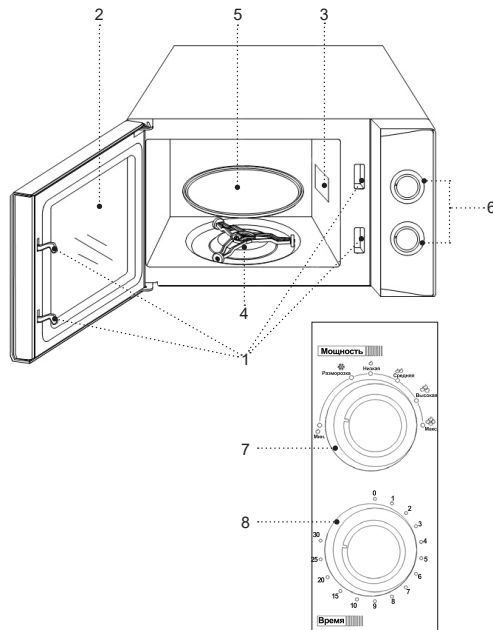
Der Mikrowellenofen dient zum Zubereiten und Erhitzen von Nahrungsmitteln und Getränken.

### BESCHREIBUNG

1. Mikrowellenofentürverschlüsse
2. Mikrowellenofentür
3. Mikrowellenaustrittsstelle
4. Rollenhalterung
5. Glasplatte
6. Bedienungsplatte
7. Betriebsschalter
8. Betriebszeiteinsteller

#### ACHTUNG!

Als zusätzlicher Schutz ist es zweckmäßig, den FI-Schalter mit Nennstrom bis 30 mA im Stromversorgungskreis aufzustellen; wenden Sie sich dafür an einen Spezialisten.



## SICHERHEITSMASSNAHMEN ZUM MIKROWELLENSTRAHLENSCHUTZ

- Betreiben Sie den Ofen bei geöffneter Tür nicht, da die Mikrowellenstrahleneinwirkung gefährlich ist.
- Es ist verboten, Stromkreise der Ofentürschutzverriegelungen zu ändern.
- Stellen Sie keine Fremdgegenstände zwischen dem Ofengehäuse und seiner Tür; entfernen Sie Schmutz oder Reinigungsmittel von der Türinnenseite gründlich.
- Mikrowellenaustrittsstelle (3) ist mit einer Glimmerplatte bedeckt, entfernen Sie die Glimmerplatte nicht und halten Sie sie sauber.
- Verwenden Sie keinen beschädigten Ofen, es ist besonders wichtig, dass die Ofentür
- ordnungsgemäß schließt.
- Achten Sie bitte darauf, dass:
  - die Ofentür mechanisch nicht beschädigt ist;
  - die Türscharniere und Sperrsystemverriegelungen nicht beschädigt sind;
  - das Abschirmgitter an der Ofentürinnenseite nicht beschädigt ist.
- Ofeneinstellung oder -reparatur soll nur von Kundendienstspezialisten durchgeführt werden.

## SICHERHEITSHINWEISE UND BEDIENUNGSANLEITUNG

**ACHTUNG!** Wenn die Tür oder die Türdichtungen beschädigt sind, verwenden Sie den Mikrowellenofen erst, wenn die Störung von den Kundendienstspezialisten behoben wurde!

**ACHTUNG!** Die Mikrowellenofenwartung und reparatur in Zusammenhang mit dem Entfernen der vor Mikrowellenenergie schützenden Abdeckungen sollen nur von den Kundendienstspezialisten durchgeführt werden!

- Bevor Sie den Mikrowellenofen benutzen, lesen Sie die Bedienungsanleitung aufmerksam durch und bewahren Sie sie zum späteren Gebrauch auf.
- Benutzen Sie das Gerät nur bestimmungsmäßig und laut dieser Bedienungsanleitung.
- Missbrauch des Geräts kann zu seiner Störung führen, den Benutzer oder sein Eigentum beschädigen und ist kein Garantiefall.
- Der Mikrowellenofen dient zum Zubereiten oder Erhitzen von Nahrungsmitteln und Getränken. Das Trocknen von Nahrungsmitteln, Kleidung, einem feuchten Tuch, das Erhitzen von Wärmflaschen, Schwämmen und ähnlichen Gegenständen kann zu Ofenbeschädigung, Gegenständenentzündung oder Feuer führen.
- Vergewissern Sie sich, dass die auf dem Bezeichnungszettel angegebene Betriebsspannung und die Netzspannung übereinstimmen.



- Um Brandgefahr zu vermeiden, verwenden Sie keine Adapter, wenn Sie den Mikrowellenofen an eine Steckdose anschließen.
  - Berühren Sie das Mikrowellenofengehäuse, das Netzkabel und den Netzstecker mit nassen Händen nicht.
  - Es ist nicht gestattet, den Mikrowellenofen draußen zu benutzen.
  - Es ist nicht empfohlen, das Gerät bei Gewitter zu benutzen.
  - Schützen Sie das Gerät vor Stößen, Stürzen, Vibrationen und anderen mechanischen Einwirkungen.
  - Benutzen Sie das Gerät in direkter Nähe von Heizgeräten, Wärmequellen oder offenem Feuer nicht.
  - Um ein Verwickeln des Netzkabels zu vermeiden, ist der Mikrowellenofen mit einem kurzen Netzkabel ausgestattet.
- Bei der Notwendigkeit verwenden Sie nur ein elektrisches Dreileiter-Verlängerungskabel mit Erdung am Netzstecker und an der Steckdose.
- Die Markierung des Mikrowellenofennetzkabels und die Markierung des Verlängerungsnetzkabels sollen übereinstimmen.
  - Das Verlängerungsnetzkabel darf nicht von Tischkanten herabhängen, wo Kinder daran ziehen können, und es muss so verlegt werden, dass ein Treten verhindert wird.
  - Es ist nicht gestattet, das Mikrowellenofennetzkabel und den Netzstecker ins Wasser oder jegliche andere Flüssigkeiten einzutauchen.
  - Vermeiden Sie den Kontakt des Mikrowellenofennetzkabels und des Netzsteckers mit heißen Oberflächen und scharfen Möbelkanten.
  - Das Gerät darf nicht mit einem externen Timer oder einem separaten Fernbedienungssystem betrieben werden.
  - Wenn Sie den Mikrowellenofen vom Stromnetz abtrennen, halten Sie den Netzstecker fest und ziehen Sie ihn aus der Steckdose vorsichtig heraus; ziehen Sie das Netzkabel nicht, da es zu seiner Beschädigung und einem Kurzschluss führen kann.
  - Der Mikrowellenofen darf nicht in Küchenmöbel eingebaut werden.
  - Sperren Sie keine Lüftungsöffnungen am Mikrowellenofengehäuse ab.
  - Schalten Sie den Mikrowellenofen ohne Nahrungsmittel nicht ein.
  - Das verwendete Geschirr muss zunächst auf Geeignetheit für den Mikrowellenofen überprüft werden.
  - Geschirr kann sehr heiß von Wärme zubereiteter Produkten werden, daher müssen Topflappen verwendet werden.
  - Während der Nahrungsmittelzubereitung kann die Temperatur zugänglicher Oberflächen des Mikrowellenofens hoch sein. Die

Ofentüraußenoberfläche kann während des Betriebs auch heiß sein. Berühren Sie keine heißen Ofenoberflächen, um Verbrennungen zu vermeiden.

• **Um das Brandrisiko in der Mikrowellenofenkammer zu vermeiden:**

- Verwenden Sie den Mikrowellenofen zur Aufbewahrung verschiedener Gegenstände oder Nahrungsmittel nicht; - Lassen Sie kein Papier oder Küchenzubehör im Mikrowellenofen, auch wenn Sie ihn nicht benutzen.
- Das Aufwärmen von Nahrungsmitteln in Kunststoff- oder Papierbehältern muss so oft wie möglich beaufsichtigt werden, um Behälterentzündung zu vermeiden.
- Bevor Sie Nahrungsmittel in Papier- oder Kunststofftüten in den Ofen legen, müssen Sie Metallgegenstände (Drahtbinden, Folie usw.) entfernen.
- Schalten Sie den Mikrowellenofen bei Rauch aus, ziehen Sie den Netzstecker aus der Steckdose heraus, um Feuerausbreitung zu vermeiden, öffnen Sie die Ofentür nicht und treffen Sie die Feuerverhinderungsmaßnahmen.

**WARNUNG:**

- Erhitzen Sie keine Flüssigkeiten oder Nahrungsmittel in geschlossenen Behältern, da diese explodieren können.

- Getränke können nach dem Erhitzen heftig kochen, seien Sie daher vorsichtig, wenn Sie Getränke aus dem Ofen herausnehmen.

- Flaschen und Dosen mit Babykost müssen nach dem Aufwärmen geschüttelt und die Füllguttemperatur vor der Kinderernährung überprüft werden, um Verbrennungen zu vermeiden.

- Verwenden Sie den Mikrowellenofen zum Erhitzen keines Frittieröls. Heißes Öl kann stark kochen und Ofen- oder Geschirrtteile beschädigen, sowie Verbrennungen verursachen.

- Keine Schaleneier dürfen im Mikrowellenofen erhitzt oder gekocht werden, da sie auch nach dem Ausschalten des Ofens explodieren können.

- Stechen Sie Nahrungsmittel mit einer dicken Schale, wie Kartoffeln, Zucchini, Äpfel usw., an mehreren Stellen unmittelbar vor dem Zubereiten ein.

- Reinigen Sie die Ofenkammer und entfernen Sie alle Speisereste regelmäßig.
- Unzureichend saubere Ofenkammer kann zur Beschädigung der Ofenkammeroberfläche führen, dies verkürzt die Gerätelebensdauer oder kann eine gefährliche Situation verursachen.
- Aus Kindersicherheitsgründen lassen Sie die als Verpackung verwendeten Plastiktüten nie ohne Aufsicht.

**Achtung!** Lassen Sie Kinder mit Plastiktüten oder Verpackungsfolien nicht spielen. **Erstickungsgefahr!**

- Das Gerät ist nicht für Kinder bestimmt.
- Beaufsichtigen Sie Kinder, damit sie das Gerät als Spielzeug nicht benutzen.
- Lassen Sie Kinder die Arbeitsfläche, das Gerätegehäuse, das Netzkabel oder den Netzstecker während des Gerätebetriebs nicht berühren.
- Besondere Vorsichtsmaßnahmen sind in den Fällen angesagt, wenn sich Kinder oder behinderte Personen während des Gerätebetriebs in der Nähe aufhalten.
- Das Gerät ist für Personen (darunter Kinder) mit Körper-, Nerven- oder Geistesstörungen oder Personen ohne ausreichende Erfahrung und Kenntnisse nicht geeignet, wenn sie sich unter Aufsicht der Person, die für ihre Sicherheit verantwortlich ist, nicht befinden oder entsprechende Anweisungen über die Gerätenutzung nicht bekommen haben.
- Prüfen Sie die Netzkabelisolierung periodisch.
- Wenn das Netzkabel beschädigt ist, soll es vom Hersteller, vom Kundendienst oder von ähnlich qualifiziertem Personal ersetzt werden, um Gefahren zu vermeiden.
- Es ist nicht gestattet, das Gerät selbständig zu reparieren. Es ist nicht gestattet, das Gerät

selbständig auseinanderzunehmen; bei der Feststellung jeglicher Beschädigungen, sowie im Sturzfall, trennen Sie das Gerät vom Stromnetz ab und wenden Sie sich an einen Kundendienst.

#### **WARNUNG:**

Wenn der Mikrowellenofen auf Schuld des Besitzers ausfällt, verliert er das Recht auf Garantieleistungen und Reparatur.

- Um Beschädigungen zu vermeiden, transportieren Sie das Gerät nur in der Fabrikverpackung. Stellen Sie vor dem Transportieren des Ofens sicher, dass die Glasplatte befestigt ist, um ihre Beschädigung zu vermeiden.
- Bewahren Sie das Gerät an einem trockenen, kühlen und für Kinder und behinderte Personen unzugänglichen Ort auf.

**DAS GERÄT IST NUR FÜR DEN GEBRAUCH IM HAUSHALT GEEIGNET, ES IST VERBOTEN, DAS GERÄT ZU HANDELS- ODER LABORZWECKEN ZU BENUTZEN.**

#### **ALLGEMEINE REGELN FÜR NAHRUNGSMITTELZUBEREITUNG IN MIKROWELLENÖFEN**

- Zur Nahrungsmittelzubereitung benutzen Sie das für Mikrowellenöfen geeignete Geschirr, indem Sie es auf die Glasplatte stellen.

- Legen Sie dickere Nahrungsmittelstücke näher an den Geschirrrändern zur gleichmäßigeren Erwärmung.
- Zu schnellerer Zubereitung drehen Sie Schnellkochnährmittel wie Hamburger oder große Fleischstücke ein- oder mehrmals um.
- Wenn Sie Bacon zubereiten, legen Sie ihn nicht direkt auf die Glasplatte,
- eine lokale Glasplattenüberhitzung kann zu Rissen führen.
- Bereiten Sie Nahrungsmittel unter einem mikrowellengeeigneten Deckel zu, der Deckel verhindert Saft- oder Fettspritzen und fördert eine gleichmäßigere Nahrungsmittelzubereitung.
- Passen Sie auf die Nahrungsmittelzubereitungszeit auf. Stellen Sie die kürzeste Nahrungsmittelzubereitungszeit ein, bei Bedarf können Sie die Zubereitungszeit verlängern.
- Überschreiten Sie die Nahrungsmittelzubereitungszeit nicht, es kann zu ihrer Entzündung führen.
- Öffnen Sie Nahrungsmittel unbedingt, bevor Sie sie in einer Luftdicht- oder Vakuumverpackung aufwärmen oder zubereiten. Andernfalls entsteht drinnen ein für die Verpackung explodiergefährlicher Druck.
- Es ist verboten, Schaleneier und hartgekochte Eier im Mikrowellenofen zu zubereiten und zu erhitzen, da sie wegen des erhöhten Innendrucks auch nach dem Ausschalten des Ofens explodieren können.
- Stechen Sie dicke Schalennahrungsmittel (wie Kartoffeln, Zucchini oder Äpfeln) vor dem Zubereiten an mehreren Stellen ein.
- Babynahrungsflaschen und -dosen sollen ohne Deckel und Sauger in den Ofen gestellt werden. Das Behälterfüllgut muss gerührt oder periodisch geschüttelt werden. Überprüfen Sie die Nahrungsmitteltemperatur unbedingt vor der Kinderernährung, um Verbrennungen zu vermeiden.

#### **ANWEISUNGEN ZUR GESCHIRRWWAHL**

- Verwenden Sie das Spezialgeschirr zum Zubereiten und Erhitzen von Nahrungsmitteln in Mikrowellenöfen.
- Das Mikrowellenofengeschirrstoff muss für Mikrowellen transparent sein, dadurch kann die Mikrowellenenergie frei durch das Geschirr fließen und Nahrungsmittel zubereiten oder erhitzen.
- Mikrowellen können kein Metall durchdringen, verwenden Sie daher kein Metallgeschirr oder Geschirr mit Metallverzierung im Mikrowellenofen.
- Stellen Sie kein Mehrwegpapiergeschirr in den Ofen ein, da es zur Verpackungsentzündung führende Metallimpregnierungen enthalten kann.
- Es ist besser, runde oder ovale Schalen als quadratische oder rechteckige Behälter zu verwenden, da die Nahrungsmittel in den Ecken solcher Behälter überhitzen.

- Schmale Alufolienstreifen können verwendet werden, um Überhitzung der hervorstehenden Nahrungsmittelteile zu verhindern. Seien Sie vorsichtig, es soll nicht viel Alufolie vorhanden sein, und der Abstand von der Folie zu den Ofenkammerwänden soll mindestens 2-3 cm betragen.
- Benutzen Sie kein Geschirr mit Absplitterungen und Rissen.

### PRÜFUNG DES GESCHIRRS VOR DER NUTZUNG IM MIKROWELLENOFEN

- Es ist empfohlen, das Geschirr vor dem Gebrauch auf Geeignetheit im Mikrowellenofen auf eine einfache Weise zu überprüfen.
- Stellen Sie das Geschirr, z.B. einen Teller, auf die Glasplatte in die Ofenkammer und stellen Sie einen Glasbecher mit Kaltwasser auf den Teller.
- Schalten Sie den Mikrowellenofen mit maximaler Leistung ein und stellen Sie die Betriebszeit auf nicht mehr als 1 Minute ein.
- Berühren Sie das Testgeschirr vorsichtig, wenn das Geschirr erhitzt ist und das Wasser im Glas kalt ist, ist die Verwendung dieses Geschirrs zur Nahrungsmittelzubereitung im Mikrowellenofen verboten.
- Stellen Sie die Geschirrttestzeit für mehr als 1 Minute nicht ein.

### MIKROWELLENOFENGEEIGNETE STOFFE UND GESCHIRR

Tafelgeschirr	Verwenden Sie entsprechend markiertes Geschirr. Befolgen Sie die Anweisungen des Geschirrherstellers. Verwenden Sie kein Geschirr mit Rissen oder Absplitterungen
Glasbehälter	Verwenden Sie Behälter aus hitzebeständigem Glas. Vergewissern Sie sich, dass es keine Metallränder gibt. Verwenden Sie keine Behälter mit Rissen oder Absplitterungen
Glasgeschirr	Verwenden Sie Geschirr aus hitzebeständigem Glas. Vergewissern Sie sich, dass es keine Metallränder gibt. Verwenden Sie kein Geschirr mit Rissen oder Absplitterungen
Speziälsäckenverwendung	Befolgen Sie die Anweisungen des Herstellers. Binden Sie die Säcke mit keinen Metallbinden. In den Säcken müssen einige Dampfaustrittsöffnungen gemacht werden
Papierteller und tassen	Verwenden Sie Pappsteller und -tassen nur zum kurzfristigen Zubereiten/Aufwärmen. Lassen Sie den Mikrowellenofen nicht unbeaufsichtigt, während Sie Nahrungsmittel in solchem Geschirr zubereiten/aufwärmen
Papierhandtücher	Die Papierhandtücher können zum Nahrungsmittelabdecken verwendet werden, um Wärme zu speichern oder Fetterspritzen zu verhindern. Verwenden Sie die Papierhandtücher mit ständiger Überwachung und nur zum kurzfristigen Zubereiten/Aufwärmen

Pergamentpapier	Verwenden Sie das Pergamentpapier, um Fettspritzen zu verhindern oder als Umschlag
Kunststoff	Verwenden Sie entsprechend markierte Kunststoffherzeugnisse. Befolgen Sie die Anweisungen des Herstellers. Einige Kunststoffbehälter können durch Erhitzen der darin enthaltenen Nahrungsmittel erweichen, seien Sie vorsichtig, wenn Sie Behälter aus dem Mikrowellenofen herausnehmen. Dicht zugemachte Kunststofftüten müssen wie auf den Verpackungen selbst angegeben durchstoßen oder geschnitten werden
Wachspapier	Verwenden Sie das Wachspapier, um Fettspritzer zu vermeiden, sowie Wärme und Feuchtigkeit zu bewahren

### MIKROWELLENOFENGEEIGNETE STOFFE UND GESCHIRR

Alutablets und folie	Folie und Alutablets können Funkenbildung hervorrufen. Verwenden Sie das für Mikrowellenofen geeignete Spezialgeschirr
Pappbecher mit Metallgriff	Ein Pappbecher mit Metallgriff kann Funkenbildung verursachen. Verwenden Sie das für Mikrowellenofen geeignete Spezialgeschirr
Metallgeschirr oder Geschirr mit Metallrand	Metall schirmt Mikrowellenenergie ab. Ein Metallrand kann Funkenbildung hervorrufen
Metallbinden	Metallbinden können Funkenbildung oder Verpackungsentzündung beim Zubereiten/ Erhitzen hervorrufen

Papiertüten	Papiertüten können Entzündung im Mikrowellenofenkammer verursachen
Seife	Seife kann schmelzen und die Mikrowellenofenkammer verunreinigen
Holz	Holzgeschirr kann austrocknen, reißen und sich entzünden

### VOR DER ERSTEN NUTZUNG

- Packen Sie das Gerät aus und warten Sie mindestens 3 Stunden, bevor Sie es bei einer negativen Temperatur transportieren oder bewahren.
- Packen Sie den Mikrowellenofen aus und entfernen Sie alle Verpackungsmaterialien und Werbeaufkleber.
- Entfernen Sie die Schutzfolie (falls vorhanden) von der Gehäuseoberfläche.
- Entfernen Sie keine ein Magnetron schützende hellgraue Glimmerplatte im Ofenkammer an der Mikrowellenaustrittsstelle (3).
- Bewahren Sie die Originalverpackung auf.
- Lesen Sie die Sicherheitsmaßnahmen und Bedienungsempfehlungen.
- Prüfen Sie die Komplettheit.
- Vergewissern Sie sich, dass die angegebenen Parameter der Geräteversorgungsspannung und die Stromnetzparameter übereinstimmen.

## AUFSTELLEN DES MIKROWELLENOFENS

### WARNUNG:

- Vor dem Aufstellen des Mikrowellenofens müssen mögliche Beschädigungen, z. B. verbotene Tür, beschädigte Dichtungsflächen, gebrochene oder gelöste Türscharniere und Absperrsystemverriegelungen, sowie Einbeulungen in der Ofenkammer und an der Ofentür, überprüft werden.

- Wenn es Beschädigungen gibt, schalten Sie den Mikrowellenofen nicht ein, wenden Sie sich an das Geschäft oder den Kundendienst.

- Es ist nicht gestattet, den Mikrowellenofen draußen zu benutzen.
- Eine gute Belüftung ist erforderlich, damit der Mikrowellenofen ordnungsgemäß funktioniert.
- Es ist verboten, den Mikrowellenofen an Orten mit hoher Luftfeuchtigkeit und hoher Temperatur, sowie in der Nähe von leichtentzündbaren Gegenständen oder Flüssigkeiten und an Orten ihrer Lagerung aufzustellen und zu verwenden.
- Stellen Sie den Mikrowellenofen an einem für Kinder unzugänglichen Ort auf.
- Stellen Sie den Mikrowellenofen auf eine ebene, trockene und standfeste Oberfläche, die das Gewicht des Mikrowellenofens und das maximale Gewicht der darin zubereitenden Nahrungsmittel aushalten kann, auf.

- Stellen Sie den Ofen so auf, dass ein Abstand von der Wand zur Rück- und Seitenofenwänden mindestens 20 cm macht und der Freiraum über dem Ofen mindestens 30 cm beträgt.
- Die Steckdose muss sich in der Nähe des Mikrowellenofens befinden, damit der Netzstecker im Notfall schnell aus der Steckdose herausgezogen werden kann.
- Entfernen Sie keine Begrenzer auf der Ofenrückseite, da diese den erforderlichen Abstand zur Luftumwälzung sichern.
- Entfernen Sie keine Ofenfüße.
- Verwenden Sie den Mikrowellenofen nur zu Hause.

### ANWEISUNG ZUR ERDUNG DES MIKROWELLENOFENS

- Der Mikrowellenofen soll sicher geerdet werden. Im Falle eines inneren Kurzschlusses verringert die Erdung das Stromschlagrisiko, da Strom durch den Erdleiter fließt.
- Der Mikrowellenofen ist mit dem 3-Leiter-Netzkabel mit Erdungsleiter ausgestattet, und der Netzstecker hat einen Erdungskontakt. Der Netzstecker muss an eine Steckdose angeschlossen werden, die einen Erdungskontakt haben soll.

### WARNUNG:

Wenn Sie das Mikrowellenofennetzkabel mit Erdungskontakt an eine Steckdose ohne

Erdungskontakt anschließen, kann es zu einem Stromschlag führen.

- Wenden Sie sich an einen qualifizierten Elektriker, wenn Sie die Ofenerdungsanweisungen nicht verstehen oder wenn Sie Zweifel daran haben, dass der Mikrowellenofen ordnungsgemäß geerdet ist.
- Die Netzkabelleitung ist wie folgt farblich gekennzeichnet:

Gelbgrün – «ERDUNG»

Blau – «NEUTRAL»

Braun – «SPANNUNG»

### FUNKSTÖRUNGEN

- Während des Betriebs kann der Mikrowellenofen das Funktionieren von Rundfunkempfängern, Fernsehapparaten und ähnlichen Geräten stören.
- Wenn solche Störungen auftreten, können sie durch die folgenden Maßnahmen gemindert oder vollständig beseitigt werden:
  - richten Sie die Empfangsantenne eines Rundfunkempfängers oder eines Fernsehapparates neu aus;
  - ändern Sie die Mikrowellenofenposition relativ zu einem Rundfunkempfänger oder einem Fernsehapparat;
  - stellen Sie den Mikrowellenofen von einem Rundfunkempfänger oder einem Fernsehapparat weg;

- schließen Sie den Mikrowellenofen an eine andere Steckdose an, sodass der Ofen, ein Empfänger und ein Fernsehapparat an verschiedene Stromnetzkreise angeschlossen sind.

### ZUSAMMENBAU DES MIKROWELLENOFENS

- Aufstellung der Glasplatte
- Öffnen Sie die Mikrowellenofentür (2).
- Stellen Sie die Rollenhalterung (4) der Glasplatte (5) in die Aussparung im Boden der Ofenkammer auf.
- Stellen Sie die Glasplatte (5) auf die Rollenhalterung (4) vorsichtig auf.
- Stellen Sie nie die Glasplatte (5) mit der Unterseite nach oben auf.

### Anmerkungen:

- verhindern Sie die Drehung der Glasplatte (5) während des Ofenbetriebs nicht. Während des Mikrowellenofenbetriebs kann sich die Glasplatte (5) im oder entgegen dem Uhrzeigersinn drehen.
- die Nahrungsmittel und das Geschirr für die Nahrungsmittelzubereitung sollen nur auf die Glasplatte (5) aufgestellt werden.
- die Glasplatte (5) soll bei Risse oder Splitterungen sofort ersetzt werden.



## ZUBEREITEN ODER AUFWÄRMEN VON NAHRUNGSMITTELN

- Stecken Sie den Netzstecker in die Steckdose ein.
- Öffnen Sie die Tür (2), legen Sie die Nahrungsmittel in den Mikrowellenofen ein und schließen Sie die Ofentür (2).
- Um die Leistung einzustellen, drehen Sie den Betriebsschalter (7) und stellen Sie ihn in die gewünschte Position ein:
  - «Maximal» – maximale Leistung – 100%
  - «Hoch» – hohe Leistung – 88%
  - «Mittel» – mittlere Leistung – 73%
  - «Niedrig» – niedrige Leistung – 52%
  - «Auftauen» – Auftaubetrieb – 42%
  - «Minimal» – minimale Leistung – 20%
- Die Nahrungsmittelzubereitungszeit wird durchs Drehen des Betriebszeiteinstellers (8) eingestellt.
- Sie können die Nahrungsmittelzubereitungszeit von 1 Minute bis 30 Minuten einstellen.

### Anmerkungen:

- der Mikrowellenofen schaltet sich ein, wenn Sie den Betriebszeiteinsteller (8) drehen;
- wenn die Betriebszeit auf 1-2 Minuten eingestellt werden muss, ist es empfohlen, den Betriebszeiteinsteller (8) mehr als Zeichen „1-2“ zu

drehen, dann drehen Sie den Einsteller (8) und stellen Sie die minimale Betriebszeit auf „1-2“ Minuten ein.

- Wenn der Mikrowellenofen während der Nahrungsmittelzubereitung ausgeschaltet werden muss, drehen Sie den Betriebszeiteinsteller (8) in die Position „0“ ein.

**WARNUNG:** Schalten Sie den Ofen immer aus, indem Sie den Betriebszeiteinsteller (8) in die Position „0“ einstellen.

## VOR DER ANWENDUNG AN EINEN KUNDENDIENST

- Wenn der Mikrowellenofen nicht eingeschaltet wird, sind folgende Handlungen empfohlen:
  - bitte stellen Sie sicher, dass Ihre Steckdose unter Spannung ist, indem Sie ein gewißlich funktionsfähiges Elektrogerät anschließen;
  - bitte stellen Sie sicher, dass der Netzstecker des Mikrowellenofens in die Steckdose fest eingesteckt ist;
  - überprüfen Sie, ob der Stromnetzschuttschalter angesprochen hat, wenn der Stromnetzschuttschalter eingeschaltet ist, muss die Steckdose durchs Anschließen eines gewißlich funktionsfähigen Elektrogeräts überprüft werden;
  - bitte stellen Sie sicher, dass die Mikrowellenofentür fest geschlossen ist, da der Mikrowellenofen sonst nicht eingeschaltet wird;

- bitte stellen Sie sicher, dass der Betriebsschalter und der Timer richtig eingestellt sind.

**WENN KEINE DER ANGEGEBENEN MASSNAHMEN DAS PROBLEM BESEITIGEN KANN, WENDEN SIE SICH AN IHREN KUNDENDIENST.**

**ES IST VERBOTEN, DEN MIKROWELLENOFEN SELBSTSTÄNDIG ZU REPARIEREN.**

## REINIGUNG UND PFLEGE

**Reinigen Sie den Ofen regelmäßig. Nicht ordnungsgemäße Pflege des Mikrowellenofens kann seinen Gerätebetrieb ungünstig beeinflussen, zum Oberflächenverschleiß führen und mögliche Gefahr für den Benutzer heraufbeschwören.**

- Schalten Sie den Mikrowellenofen vor dem Reinigen aus und ziehen Sie den Netzstecker aus der Steckdose heraus.
- Lassen Sie Feuchtigkeit auf die Bedienungsplatte nicht gelangen; wischen Sie sie mit einem weichen, leicht angefeuchteten Tuch, danach trocknen Sie sie ab.
- Halten Sie die Mikrowellenofenkammer sauber. Nahrungsmittelreste oder Flecken an den Ofenwänden entfernen Sie mit einem feuchten Tuch.
- Bei stark verschmutzter Ofenkammer kann ein weiches Waschmittel verwendet werden.
- Verwenden Sie keine Scheuermittel zur Reinigung der äußeren und inneren Oberflächen des Mikrowellenofens.
- Stellen Sie sicher, dass kein Wasser oder Reinigungsmittel in die Luft und Dampf abzulassenden Öffnungen am Gehäusedeckel gelangt.
- Halten Sie die Ofentür sauber und wischen Sie sie beiderseitig regelmäßig ab.
- Vermeiden Sie Krümel- und Speiserestenansammlung zwischen der Tür und der Vorderplatte, da dies das normale Ofentürschließen verhindern kann.
- Entfernen und reinigen Sie regelmäßig die Glasplatte und ihre Rollenhalterung; wischen Sie den Ofenkammerboden ab.
- Waschen Sie die Glasplatte und die Rollenhalterung mit Warmwasser und einem neutralen Reinigungsmittel, dann spülen und trocknen Sie sie ab.
- Die Rollenhalterung und die Glasplatte können in der Geschirrspülmaschine gespült werden.
- Tauchen Sie die geheizte Glasplatte ins Kaltwasser nicht ein: starke Temperaturdifferenz kann zum Bersten der Glasplatte führen.
- Um Fremdgerüche in der Ofenkammer zu beseitigen, mischen Sie Saft und Schale einer Zitrone in einer Tasse Wasser, gießen Sie sie in einen tiefen für den Mikrowellenofen geeigneten Teller oder Behälter um

und stellen Sie sie auf die Platte auf, schalten Sie den Ofen mit mittlerer Leistung ein und stellen Sie die Betriebszeit auf 5 bis 8 Minuten ein.

- Öffnen Sie die Tür und wischen Sie die Ofenkammer gründlich ab.

### AUFBEWAHRUNG

- Reinigen Sie die Ofenkammer und die Außenfläche des Ofengehäuses, bevor Sie den Mikrowellenofen zur Langzeitlagerung wegnehmen.
- Bewahren Sie den Mikrowellenofen an einem trockenen, kühlen und für Kinder und behinderte Personen unzugänglichen Ort auf.

### LIEFERUMFANG

1. Mikrowellenofen – 1 Stk.
2. Glasplattenhalterung – 1 Stk.
3. Glasplatte – 1 Stk.
4. Bedienungsanleitung – 1 Stk.

### TECHNISCHE EIGENSCHAFTEN

- Der Mikrowellenofen gehört zur Klasse B, Gruppe 2.
- Gruppe-2-Geräte: Gruppe 2 enthält alle ISM-Radiofrequenzgeräte, in denen eine Radiofrequenzenergie mit Frequenzbereich von 9 kHz bis 400 GHz in Form von elektromagnetischer Strahlung, Induktivitäts- und/oder Kapazitätskopplung zur Materialverarbeitung, sowie zur Kontrolle/Analyse oder zur Übertragung elektromagnetischer Energie

absichtlich erzeugt und verwendet oder nur lokal verwendet wird.

- Klasse-B-Geräte sind Geräte zum Einsatz in den Wohnräumen und Organisationen, die direkt ans Kommunalgebäude versorgende Niederspannungstromversorgungsnetz angeschlossen sind.

### Betriebsbedingungen:

- Lufttemperatur: von +10°C bis +35°C
- Relative Luftfeuchtigkeit: 35-80%
- Atmosphärendruck: 86-106 kPa (650 – 800 mmHg)

### Hauptparameter

- Stromversorgung: 220-240 V ~ 50 Hz
- Nennleistungsaufnahme im Mikrowellenbetrieb: 1200 W
- Mikrowellennennausgangsleistung: 700 W
- Betriebsfrequenz: 2450 ± 49 MHz
- Ofenkammerfassungsvermögen: 20 l
- Glasplattendurchmesser: 245 mm
- Ausmaß: 262×452×330 mm
- Nettomasse: 10,5 kg

## ENTSORGUNG



Um mögliches Schaden für die Umwelt oder die menschliche Gesundheit durch unkontrollierte Abfallentsorgung zu vermeiden, werfen Sie das Gerät und die Batterien (falls mitgeliefert) nach Beendigung ihrer Nutzungsdauer

zusammen mit gewöhnlichen Haushaltsabfällen nicht weg, geben Sie das Gerät und die Batterien in die Spezialpunkte für weitere Entsorgung über.

Die bei der Entsorgung der Erzeugnisse entstehenden Abfälle sind unbedingt zu sammeln und weiter ordnungsmäßig zu entsorgen.

Mehrere Information zur Entsorgung dieses Produkts erhalten Sie bei Ihrer lokalen Stadtverwaltung, einem Abfallentsorgungsdienst oder beim Geschäft, wo Sie dieses Produkt gekauft haben.

Der Hersteller behält sich das Recht vor, das Design, die Konstruktion und die das gemeine Gerätebetriebsprinzip nicht beeinflussenden technischen Eigenschaften ohne Vorbenachrichtigung zu verändern.

### Die Gerätenutzungsdauer beträgt 3 Jahre

Das Herstellungsdatum ist in der Fabrikationsnummer angegeben.

Bei Störungsfeststellung wenden Sie sich baldigst an einen autorisierten Kundendienst.

## МИКРОВОЛНОВАЯ ПЕЧЬ BR2501

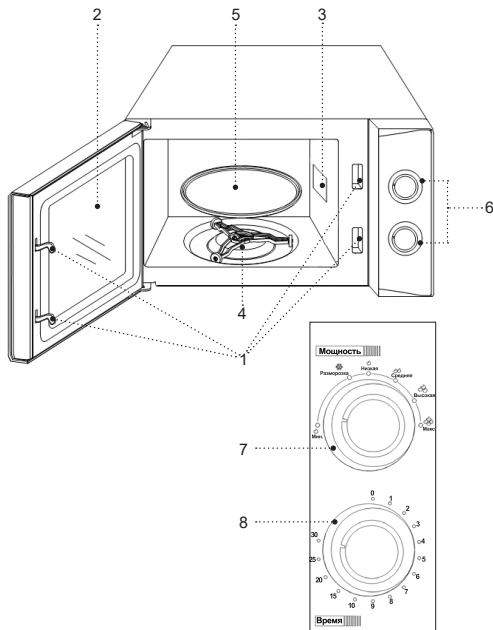
Микроволновая печь предназначена для приготовления, разогревания продуктов и напитков.

### ОПИСАНИЕ

1. Защёлки дверцы печи
2. Дверца печи
3. Выход микроволн
4. Роликовая опора
5. Стеклоподдон
6. Панель управления
7. Ручка переключателя режимов работы
8. Ручка установки времени работы

### ВНИМАНИЕ!

Для дополнительной защиты в цепи питания целесообразно установить устройство защитного отключения (УЗО) с номинальным током срабатывания, не превышающим 30 мА, для установки УЗО обратитесь к специалисту.



## МЕРЫ БЕЗОПАСНОСТИ ПО ПРЕДОХРАНЕНИЮ ОТ ПОРАЖЕНИЯ МИКРОВОЛНОВЫМ ИЗЛУЧЕНИЕМ

- Запрещается эксплуатация печи с открытой дверцей, так как воздействие микроволнового излучения представляет опасность.
- Запрещается вносить изменения в электрические цепи защитных блокировок дверцы печи.
- Не помещайте посторонние предметы между корпусом печи и её дверцей, тщательно удаляйте загрязнения или остатки моющего средства с внутренней поверхности дверцы.
- Место выхода микроволн (3) закрыто слюдяной пластиной, не удаляйте слюдяную пластину и следите за её чистотой.
- Не используйте повреждённую печь, особенно важно, чтобы дверца печи должным образом закрывалась.
- Следите за тем, чтобы не было:
  - механических повреждений дверцы печи;
  - повреждений петель дверцы и защёлки системы блокировки;
  - повреждений экранирующей решётки с внутренней стороны дверцы печи.
- Регулировка или ремонт печи должны производиться только специалистами сервисных центров.

## МЕРЫ БЕЗОПАСНОСТИ И РЕКОМЕНДАЦИИ ПО ЭКСПЛУАТАЦИИ

**ВНИМАНИЕ!** При повреждении дверцы или дверных уплотнений не следует использовать микроволновую печь до устранения неисправности специалистами сервисного центра!

**ВНИМАНИЕ!** Все работы по обслуживанию и ремонту микроволновой печи, связанные со снятием крышек, обеспечивающих защиту от воздействия микроволновой энергии, должны выполняться только специалистами сервисного центра!

- Перед использованием микроволновой печи внимательно ознакомьтесь с руководством по эксплуатации, после прочтения, сохраните его для использования в будущем.
- Используйте устройство только по его прямому назначению, как изложено в данной инструкции.
- Неправильное обращение с устройством может привести к его поломке, причинению вреда пользователю или его имуществу и не является гарантийным случаем.
- Микроволновая печь предназначена для приготовления или разогрева пищи и напитков. Сушка пищи, одежды, влажной ткани, подогрев грелок, губок и подобных предметов может привести к риску повреждения печи, воспламенению предметов или к пожару.

- Убедитесь, что рабочее напряжение устройства, указанное на этикетке, соответствует напряжению электросети.
- Во избежание риска возникновения пожара не используйте переходники при подключении микроволновой печи к электрической розетке.
- Не прикасайтесь к корпусу микроволновой печи, к шнуру питания и к вилке шнура питания мокрыми руками.
- Запрещается использовать микроволновую печь вне помещений.
- Не рекомендуется использовать устройство во время грозы.
- Оберегайте устройство от ударов, падений, вибраций и иных механических воздействий.
- Не используйте устройство в непосредственной близости от нагревательных приборов, источников тепла или открытого пламени.
- Для предотвращения запутывания шнура питания микроволновая печь снабжена коротким шнуром питания.
- При необходимости использования электрического удлинителя, используйте только 3-проводной электрический удлинитель с контактом заземления на сетевой вилке и в электрической розетке.
- Маркировка сечения проводов шнура питания микроволновой печи и маркировка на сетевом шнуре удлинителя должны совпадать.
- Сетевой шнур удлинителя не должен свисать с краёв стола, где за него могут потянуть дети, и он должен быть проложен таким образом, чтобы исключить хождение по нему.
- Не погружайте шнур питания микроволновой печи и вилку шнура питания в воду или в любые другие жидкости.
- Избегайте контакта шнура питания микроволновой печи и вилки шнура питания с горячими поверхностями и острыми краями мебели.
- Устройство не предназначено для приведения в действие внешним таймером или отдельной системой дистанционного управления.
- При отключении микроволновой печи от электрической сети держитесь за вилку шнура питания и аккуратно выньте её из электрической розетки, не тяните за шнур питания – это может привести к его повреждению и вызвать короткое замыкание.
- Микроволновая печь не предназначена для встраивания в кухонную мебель.
- Не закрывайте вентиляционные отверстия на корпусе микроволновой печи.
- Запрещается включать микроволновую печь без продуктов.
- Используемая посуда должна быть предварительно проверена на пригодность её использования в микроволновой печи.
- Посуда может сильно нагреваться, получая тепло от готовящихся продуктов, поэтому необходимо пользоваться кухонными прихватками.

- Во время приготовления продуктов, температура доступных поверхностей микроволновой печи может быть высокой. Внешняя поверхность дверцы печи тоже может быть горячей во время работы. Во избежание получения ожога не дотрагивайтесь до горячих поверхностей печи.

**Во избежание риска возгорания в рабочей камере печи, необходимо:**

- Не используйте рабочую камеру микроволновой печи для хранения различных предметов или продуктов. Не оставляйте бумагу или кухонные принадлежности в микроволновой печи, даже если она не используется.
- При разогреве пищи в пластиковой или бумажной таре, необходимо как можно чаще контролировать процесс разогрева, во избежание возгорания тары.
- Перед тем как поместить в печь продукты в бумажных или пластиковых пакетах, необходимо удалить с них металлические предметы (проволочные закрутки, фольгу и т.д.).
- В случае появления дыма выключите микроволновую печь, выньте вилку шнура питания из электрической розетки, чтобы избежать распространения огня, не открывайте дверцу печи и примите меры к нераспространению огня.

**ПРЕДУПРЕЖДЕНИЕ:**

- Не разогревайте жидкости или пищу в закрытых контейнерах, так как они могут взорваться.
  - После завершения разогрева напитков может произойти их бурное закипание, поэтому будьте осторожны, вынимая напитки из печи.
  - Бутылочки и баночки с детским питанием после разогрева необходимо встряхнуть и проверить температуру содержимого, прежде чем дать ребенку, во избежание получения ожогов.
  - Не используйте микроволновую печь для разогрева масла, которое будет использоваться для жарки во фритюре. Горячее масло может резко закипеть и повредить детали печи или посуды, а также может привести к ожогам.
  - Запрещается разогревать или готовить в микроволновой печи яйца в скорлупе, так как они могут взорваться даже после выключения печи.
  - Прокальвайте в нескольких местах продукты с толстой кожурой, такие как картофель, кабачки, яблоки и т.п., непосредственно перед их приготовлением.
- Необходимо регулярно производить чистку рабочей камеры печи и удалять все остатки пищи.
  - Недостаточная чистота рабочей камеры печи может привести к повреждению поверхности



- рабочей камеры, это сократит срок службы устройства или может привести к возникновению опасной ситуации.
- Из соображений безопасности детей не оставляйте полиэтиленовые пакеты, используемые в качестве упаковки, без надзора.

**Внимание!** Не разрешайте детям играть с полиэтиленовыми пакетами или упаковочной плёнкой.  
**Опасность удушья!**

- Устройство не предназначено для использования детьми.
- Осуществляйте надзор за детьми, чтобы не допустить использования устройства в качестве игрушки.
- Не разрешайте детям прикасаться к рабочей поверхности, к корпусу устройства, к шнуру питания или к вилке шнура питания во время работы устройства.
- Будьте особенно внимательны, если поблизости от работающего устройства находятся дети или лица с ограниченными возможностями.
- Прибор не предназначен для использования лицами (включая детей) с пониженными физическими, сенсорными, психическими или умственными способностями, или при отсутствии у них опыта или знаний, если они не находятся под контролем или не проинструктированы лицом, ответственным за их безопасность, об использовании прибора.

- Периодически проверяйте состояние изоляции шнура питания.
- При повреждении шнура питания его замену, во избежание опасности, должны производить изготовитель, сервисная служба или подобный квалифицированный персонал.
- Запрещается самостоятельно ремонтировать устройство. Не разбирайте устройство самостоятельно, при возникновении любых неисправностей, а также после падения устройства отключите его от электросети и обратитесь в сервисный центр.

#### **ПРЕДУПРЕЖДЕНИЕ:**

В случае выхода из строя микроволновой печи по вине владельца он лишается права на бесплатное гарантийное обслуживание и ремонт.

- Во избежание повреждений перевозите устройство в заводской упаковке. Перед транспортировкой печи убедитесь, что Вы зафиксировали стеклянный поддон во избежание его повреждения.
- Храните устройство в сухом прохладном месте, недоступном для детей и людей с ограниченными возможностями.

**УСТРОЙСТВО ПРЕДНАЗНАЧЕНО ТОЛЬКО ДЛЯ БЫТОВОГО ИСПОЛЬЗОВАНИЯ, ЗАПРЕЩАЕТСЯ ИСПОЛЬЗОВАТЬ УСТРОЙСТВО В КОММЕРЧЕСКИХ ИЛИ ЛАБОРАТОРНЫХ ЦЕЛЯХ.**

## **ОБЩИЕ ПРАВИЛА ПРИГОТОВЛЕНИЯ ПРОДУКТОВ В МИКРОВОЛНОВЫХ ПЕЧАХ**

- Во время приготовления продуктов, используйте посуду, предназначенную для микроволновых печей, установив её на стеклянный поддон.
- Для равномерного прогрева продуктов помещайте более толстые куски продуктов ближе к краям посуды.
- Для ускорения процесса приготовления один или несколько раз переверните продукты быстрого приготовления, например, гамбургеры, а также большие куски мяса.
- При приготовлении бекона не кладите его непосредственно на стеклянный поддон, местный перегрев стеклянного поддона может привести к появлению в нём трещин.
- Готовьте продукты под крышкой, пригодной для использования в микроволновых печах, крышка предотвратит разбрызгивание сока или жира и поможет продуктам готовиться равномерно.
- Следите за продолжительностью приготовления продуктов. Установите наименьшую продолжительность приготовления продуктов, при необходимости можно увеличить продолжительность приготовления.
- Не превышайте продолжительность приготовления продуктов, это может привести к их возгоранию.

- Перед разогревом или приготовлением продуктов в герметичной или вакуумной упаковке не забудьте вскрыть её. В противном случае в упаковке создастся давление, которое может разорвать упаковку.
- Запрещается готовить и разогревать в микроволновой печи яйца в скорлупе и яйца, сваренные вкрутую, так как они могут взорваться из-за повышения внутреннего давления даже после выключения печи.
- Перед приготовлением толстую кожуру продуктов (например, картофеля, кабачков или яблок) прокалывайте в нескольких местах.
- Бутылочки для кормления ребенка и банки с детским питанием следует помещать в печь без крышек и сосок. Содержимое ёмкости необходимо перемешивать или периодически встряхивать. Перед кормлением ребёнка, обязательно проверьте температуру продукта, во избежании получения ожогов.

## **РЕКОМЕНДАЦИИ ПО ВЫБОРУ ПОСУДЫ**

- Используйте специальную посуду для приготовления и разогрева продуктов в микроволновых печах.
- Материал посуды для микроволновых печей должен быть «прозрачным» для микроволн, это позволяет микроволновой энергии свободно проходить через посуду и готовить или разогревать продукты.

- Микроволны не могут проникать сквозь металл, поэтому металлическую посуду или посуду с металлической отделкой использовать в микроволновой печи запрещается.
- Нельзя помещать в печь посуду, изготовленную из повторно используемой бумаги, так как она может содержать вкрапления металла, которые могут стать причиной возгорания упаковки.
- Лучше использовать круглые или овальные блюда, а не квадратные или прямоугольные контейнеры, так как в углах таких контейнеров продукты будут перегреваться.
- Можно использовать узкие полоски алюминиевой фольги, чтобы предотвратить перегрев выступающих частей продуктов. Будьте осторожны, алюминиевой фольги должно быть не много, и расстояние от фольги до стенок рабочей камеры печи должно быть не менее 2-3 см.
- Не используйте посуду со сколами или трещинами.

### **ПРОВЕРКА ПОСУДЫ ПЕРЕД ИСПОЛЬЗОВАНИЕМ В МИКРОВОЛНОВОЙ ПЕЧИ**

- Перед использованием посуды, рекомендуется простым способом проверить её на пригодность в микроволновой печи.
- Установите посуду, например, тарелку, на стеклянный поддон в рабочую камеру печи, поставьте на тарелку стеклянный стакан с холодной водой.

- Включите микроволновую печь на максимальную мощность и установите время работы не более 1 минуты.
- Аккуратно дотроньтесь до испытуемой посуды, если посуда нагрелась, а вода в стакане холодная, то использовать такую посуду для приготовления продуктов в микроволновой печи запрещается.
- Не превышайте время испытания посуды более 1 минуты.

### **МАТЕРИАЛЫ И ПОСУДА ДЛЯ ИСПОЛЬЗОВАНИЯ В МИКРОВОЛНОВОЙ ПЕЧИ**

Обеденная посуда	Используйте посуду, которая имеет соответствующую маркировку. Следуйте указаниям производителя посуды. Не используйте посуду с трещинами или сколами
Стеклянные ёмкости	Используйте ёмкости, изготовленные из жаропрочного стекла. Убедитесь в отсутствии металлических ободков. Не используйте ёмкости с трещинами или сколами
Стеклопосуда	Используйте посуду, изготовленную из жаропрочного стекла. Убедитесь в отсутствии металлических ободков. Не используйте посуду с трещинами или сколами
Использование специальных мешков	Следуйте указаниям производителя. Не закрывайте мешки металлическими закрутками. В мешках необходимо сделать несколько отверстий для выхода пара

Бумажные тарелки и чашки	Бумажные тарелки и чашки используйте только для кратковременного приготовления/разогрева продуктов. Не оставляйте микроволновую печь без присмотра во время приготовления/разогрева продуктов в такой посуде
Бумажные полотенца	Бумажными полотенцами можно накрыть продукты для удержания тепла или для предотвращения разбрызгивания жира. Используйте бумажные полотенца при постоянном контроле и только для кратковременного приготовления/подогрева
Пергаментная бумага	Используйте пергаментную бумагу в целях предотвращения разбрызгивания жира или в качестве обёртки
Пластик	Используйте изделия из пластика, которые имеют соответствующую маркировку. Следуйте указаниям производителя. Некоторые пластиковые ёмкости могут размягчиться в результате нагрева содержащихся в них продуктов, соблюдайте осторожность вынимая ёмкости из микроволновой печи. Герметично закрытые пластиковые пакеты необходимо проколоть или прорезать, как указано на самих упаковках
Восковая бумага	Используйте восковую бумагу для предотвращения разбрызгивания жира, а также для сохранения тепла и влаги

## МАТЕРИАЛЫ И ПОСУДА НЕ ПРИГОДНЫЕ ДЛЯ ИСПОЛЬЗОВАНИЯ В МИКРОВОЛНОВОЙ ПЕЧИ

Алюминиевые подносы и фольга	Фольга и алюминиевые подносы могут вызвать искрение. Пользуйтесь посудой, специально предназначенной для использования в микроволновой печи
Картонная чашка с металлической ручкой	Картонная чашка с металлической ручкой может вызвать искрение. Пользуйтесь посудой, специально предназначенной для использования в микроволновой печи
Посуда металлическая или посуда с металлическим ободом	Металл экранирует энергию микроволн. Металлический обод может вызвать искрение
Металлические закрутки	Металлические закрутки могут вызвать искрение или возгорание упаковки во время приготовления/разогрева продуктов
Бумажные пакеты	Бумажные пакеты могут привести к возгоранию в рабочей камере микроволновой печи
Мыло	Мыло может расплавиться и вызвать загрязнение рабочей камеры микроволновой печи
Дерево	Деревянная посуда может высохнуть, растрескаться и воспламениться.

## ПЕРЕД ПЕРВЫМ ИСПОЛЬЗОВАНИЕМ

**После транспортировки или хранения устройства при отрицательной температуре распакуйте его и подождите не менее 3 часов перед использованием.**

- Распакуйте микроволновую печь и удалите все упаковочные материалы и рекламные наклейки.
- Если на корпусе имеется защитная плёнка, удалите её с поверхности корпуса.
- Не удаляйте светло-серую слюдяную пластину внутри рабочей камеры в месте выхода микроволн (3), служащую для защиты магнетрона.
- Сохраните заводскую упаковку.
- Ознакомьтесь с мерами безопасности и рекомендациями по эксплуатации.
- Проверьте комплектацию.
- Убедитесь, что указанные параметры напряжения питания устройства, соответствуют параметрам электрической сети.

## УСТАНОВКА МИКРОВОЛНОВОЙ ПЕЧИ

### ПРЕДУПРЕЖДЕНИЕ:

– перед установкой микроволновой печи необходимо проверить отсутствие любых повреждений, например, погнута или согнута дверца, поврежденные уплотнительные поверхности, сломанные или ослабленные дверные петли и защелки системы блокировки, а также отсутствие вмятин внутри рабочей камеры печи и на дверце печи;

– при наличии каких-либо повреждений не включайте микроволновую печь, обратитесь в торговую организацию или в сервисный центр.

- Запрещается использовать микроволновую печь вне помещений.
- Для правильного функционирования микроволновой печи необходима хорошая вентиляция.
- Запрещается устанавливать и использовать микроволновую печь в местах с повышенной влажностью и высокой температурой, а также вблизи легковоспламеняющихся предметов или жидкостей, а также в местах их хранения.
- Устанавливайте печь в местах, недоступных для детей.
- Установите микроволновую печь на ровную, сухую и устойчивую поверхность, способную выдержать вес микроволновой печи и максимальный вес продуктов, которые будут в ней готовиться.
- Установите печь так, чтобы от стены до задней и боковых стенок печи оставалось расстояние не менее 20 см, а свободное пространство над печью составляло не менее 30 см.
- Электрическая розетка должна находиться поблизости от микроволновой печи, чтобы вилку шнура питания можно было быстро вынуть из розетки в момент экстренной необходимости.
- Не снимайте ограничители, расположенные на задней стенке печи, поскольку они обеспечивают необходимое расстояние для циркуляции воздуха.
- Запрещается снимать ножки печи.
- Используйте микроволновую печь только в домашних условиях.

## УКАЗАНИЯ ПО ЗАЗЕМЛЕНИЮ МИКРОВОЛНОВОЙ ПЕЧИ

- Микроволновая печь должна быть надёжно заземлена. В случае какого-либо внутреннего замыкания заземление снижает риск получения удара электротоком, так как произойдет отток тока по заземляющему проводу.
- Шнур питания микроволновой печи 3-х проводной с заземляющим проводником, а вилка шнура питания имеет контакт заземления. Вилка шнура питания должна подключается к электрической розетке, которая должна иметь контакт заземления.

### ПРЕДУПРЕЖДЕНИЕ:

При включении вилки шнура питания микроволновой печи с контактом заземления в электрическую розетку, не имеющую контакта заземления, может привести к риску получения удара электротоком.

- Проконсультируйтесь с квалифицированным электриком, если вам не ясны инструкции по заземлению печи, или существуют сомнения в том, что микроволновая печь надёжно заземлена.
- Провода в шнуре питания имеют следующую цветовую маркировку:

Желто-зеленый – «ЗАЗЕМЛЕНИЕ»

Синий – «НЕЙТРАЛЬ»

Коричневый – «НАПРЯЖЕНИЕ»

## РАДИОПОМЕХИ

- Во время работы микроволновая печь может создавать помехи в работе радиоприемников, телевизоров и другого подобного оборудования.
- При возникновении подобных помех, их можно ослабить или полностью устранить, предприняв следующие меры:
  - переориентируйте приемную антенну радиоприемника или телевизора;
  - измените положение микроволновой печи относительно радиоприемника или телевизора;
  - переместите микроволновую печь подальше от радиоприемника или телевизора;
  - включите микроволновую печь в другую розетку так, чтобы печь, приемник и телевизор были подключены к разным цепям электрической сети.

## СБОРКА МИКРОВОЛНОВОЙ ПЕЧИ

### Установка стеклянного поддона

- Откройте дверцу печи (2).
- Установите роликовую опору (4) стеклянного поддона (5) в углубление, расположенное в днище рабочей камеры.
- Аккуратно установите стеклянный поддон (5) на роликовую опору (4).
- Запрещается устанавливать стеклянный поддон (5) нижней стороной вверх.

**Примечания:**

- не препятствуйте вращению стеклянного поддона (5) во время работы печи. Во время работы микроволновой печи стеклянный поддон (5) может вращаться по часовой стрелке или против неё;
- продукты и посуду для приготовления продуктов необходимо устанавливать только на стеклянный поддон (5);
- при возникновении трещин или сколов на стеклянном поддоне (5) немедленно замените его.

**ПРИГОТОВЛЕНИЕ ИЛИ РАЗОГРЕВ ПРОДУКТОВ**

- Вставьте вилку шнура питания в электрическую розетку.
- Откройте дверцу (2), поместите продукты в микроволновую печь и закройте дверцу (2) печи.
- Для установки уровня мощности поверните ручку переключателя режимов работы (7) и установите его в нужное положение:

«Макс.» — максимальная мощность – 100%

«Выс.» — высокая мощность – 88%

«Средняя» — средняя мощность – 73%

«Низкая» — низкая мощность – 52%

«Разморозка» — режим разморозки продуктов – 42%

«Мин.» — минимальная мощность – 20%

- Время приготовления продуктов устанавливается поворотом ручки (8).
- Вы можете установить время приготовления продуктов от 1 минуты до 30 минут.

**Примечания:**

- микроволновая печь включается при повороте ручки (8);
- если необходимо установить время работы 1-2 минуты, рекомендуется повернуть ручку (8) дальше отметки «1-2», а после этого повернуть ручку (8) и установить минимальное время работы «1-2» минуты.
- При необходимости выключения печи во время приготовления продуктов, поверните ручку (8) в положение «0».

**ПРЕДУПРЕЖДЕНИЕ:**

Всегда выключайте печь, установив ручку (8) в положение «0».

**ПЕРЕД ОБРАЩЕНИЕМ В СЕРВИСНЫЙ ЦЕНТР**

- Если микроволновая печь не включается, рекомендуется выполнить следующие действия:
  - убедитесь в наличии напряжения в электрической розетке, включив в неё заведомо исправный электроприбор;

- убедитесь, что вилка шнура питания микроволновой печи плотно вставлена в электрическую розетку.
- проверьте, не сработал ли автомат защиты электрической сети, если автомат защиты находится в работающем состоянии, необходимо проверить электрическую розетку, подключив в неё заведомо исправный электроприбор;
- убедитесь, что дверца микроволновой печи плотно закрыта, в противном случае микроволновая печь не включится;
- убедитесь, что переключатель режимов работы и таймер правильно установлены.

**ЕСЛИ НИ ОДНО ИЗ УКАЗАННЫХ ДЕЙСТВИЙ НЕ ПОЗВОЛЯЕТ УСТРАНИТЬ ПРОБЛЕМУ, НЕОБХОДИМО ОБРАТИТЬСЯ В СЕРВИСНЫЙ ЦЕНТР. ЗАПРЕЩАЕТСЯ САМОСТОЯТЕЛЬНО РЕМОНТИРОВАТЬ МИКРОВОЛНОВУЮ ПЕЧЬ.**

## ЧИСТКА И УХОД

**Регулярно проводите чистку печи. Отсутствие надлежащего ухода за микроволновой печью может неблагоприятно повлиять на её работу, привести к износу поверхностей и создать возможную опасность для пользователя.**

- Перед чисткой микроволновой печи, выключите её и выньте вилку шнура питания из электрической розетки.

- Не допускайте попадания влаги на панель управления, протирайте её мягкой, слегка влажной тканью, после чего вытрите насухо.
- Содержите в чистоте рабочую камеру микроволновой печи. Если на стенках печи остались кусочки продуктов или подтёки, удалите их влажной салфеткой.
- При сильно загрязнённой рабочей камере можно использовать мягкое моющее средство.
- Не используйте абразивные чистящие средства для чистки наружных и внутренних поверхностей печи.
- Следите за тем, чтобы вода или моющее средство не попали в отверстия на крышке корпуса, предназначенные для отвода воздуха и пара.
- Следите за чистотой дверцы печи, регулярно протирайте дверцу печи с двух сторон.
- Не допускайте скапливания крошек и кусочков пищи между дверцей и передней панелью, это может препятствовать нормальному закрытию дверцы печи.
- Регулярно снимайте и очищайте стеклянный поддон и его роликовую опору; протирайте дно рабочей камеры.
- Стеклянный поддон и роликовую опору промойте в тёплой воде с нейтральным моющим средством, после чего ополосните и просушите.
- Роликовую опору и стеклянный поддон можно промывать в посудомоечной машине.



- Не опускайте нагретый стеклянный поддон в холодную воду: из-за резкого перепада температуры стеклянный поддон может треснуть.
- Для устранения посторонних запахов в рабочей камере печи, смешайте в чашке воды сок и кожуру одного лимона, перелейте в глубокую тарелку или контейнер, предназначенные для микроволновой печи и установите на поддон, включите печь на среднюю мощность и установите время работы от 5 до 8 минут.
- Откройте дверцу и тщательно протрите рабочую камеру печи.

#### **ХРАНИЕ**

- Перед тем, как убрать микроволновую печь на длительное хранение, проведите чистку рабочей камеры и внешней поверхности корпуса печи.
- Храните микроволновую печь в сухом прохладном месте, недоступном для детей и людей с ограниченными возможностями.

#### **КОМПЛЕКТАЦИЯ**

1. Микроволновая печь – 1 шт.
2. Опора стеклянного поддона – 1 шт.
3. Стеклянный поддон – 1 шт.
4. Инструкция – 1 шт.

#### **ТЕХНИЧЕСКИЕ ХАРАКТЕРИСТИКИ**

- Микроволновая печь относится к классу В, группа 2.

#### **Оборудование группы 2:**

- группа 2 содержит все радиочастотное оборудование ISM, в котором радиочастотная энергия в диапазоне частот от 9 кГц до 400 ГГц намеренно генерируется и используется только локально, в форме электромагнитного излучения, индуктивной и/или емкостной связи, для обработки материала, для целей контроля/анализа или для передачи электромагнитной энергии.
- Оборудование класса В - это оборудование, подходящее для использования в жилых помещениях и в учреждениях, непосредственно подключенных к сети электропитания низкого напряжения, которая снабжает здания, используемые для бытовых целей.

#### **Условия эксплуатации:**

- Температура воздуха: от +10° С до +35°С
- Относительная влажность воздуха: 35 – 80%
- Атмосферное давление: 86 – 106 кПа (650 – 800 мм рт.ст).

#### **Основные параметры**

- Электропитание: 220/240 В ~ 50 Гц
- Номинальная потребляемая мощность в режиме СВЧ: 1200 Вт
- Номинальная выходная мощность СВЧ: 700 Вт
- Рабочая частота: 2450 ± 49 МГц
- Объем рабочей камеры: 20 л
- Диаметр стеклянного поддона: 245 мм
- Габаритные размеры: 262×452×330 мм
- Масса нетто: 10,5 кг

## УТИЛИЗАЦИЯ



Чтобы предотвратить возможный вред окружающей среде или здоровью людей от неконтролируемой утилизации отходов, после окончания срока службы устройства или элементов питания (если входят в комплект), не выбрасывайте их вместе с обычными бытовыми отходами, передайте прибор и элементы питания в специализированные пункты для дальнейшей утилизации.

Отходы, образующиеся при утилизации изделий, подлежат обязательному сбору с последующей утилизацией в установленном порядке.

Для получения дополнительной информации об утилизации данного продукта обратитесь в местный муниципалитет, службу утилизации бытовых отходов или в магазин, где Вы приобрели данный продукт.

Производитель сохраняет за собой право изменять дизайн, конструкцию и технические характеристики, не влияющие на общие принципы работы устройства, без предварительного уведомления.

### **Срок службы устройства – 3 года**

Дата производства указана в серийном номере.

В случае обнаружения каких-либо неисправностей срочно необходимо обратиться в авторизованный сервисный центр.

## ҚЫСҚА ТОЛҚЫНДЫ ПЕШ BR2501

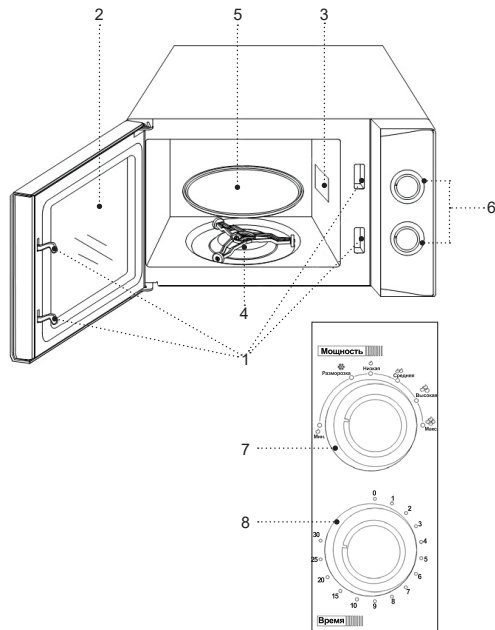
Қысқа толқынды пеш тағамдар мен сусындарды дайындауға, қыздыруға арналған.

### СИПАТТАМАСЫ

1. Пеш есігінің ысырмасы
2. Пештің есігі
3. Қысқа толқынның шығысы
4. Дөңгелекті тірек
5. Шыны табандық
6. Басқару панелі
7. Жұмыс тәртіптерін ауыстырғыштың тұтқасы
8. Жұмыс уақыт белгілейтін тұтқа

### НАЗАР АУДАРЫҢЫЗ!

Қосымша қорғаныс үшін қуаттандыру тізбегінде номиналдық іске қосылу тогы 30 мА аспайтын қорғаныс сөндіру құрылғысын (ҚАҚ) орнатқан дұрыс, ҚАҚ-ты орнату үшін маманға хабарласыңыз.



## **ҚЫСҚА ТОЛҚЫНДЫ СӘУЛЕДЕН ЗАҚЫМДАНУ-ДЫҢ АЛДЫН АЛУҒА ҚАТЫСТЫ ҚАУІПСІЗДІК ШАРАЛАРЫ**

- Есігі ашық тұрған пешті пайдалануға тыйым салынады, өйткені қысқа толқынды сәуленің әсері қауіпті.
- Пештің есіктеріндегі қорғаныс бұғатының электрлік тізбектеріне өзгерістер енгізуге тыйым салынады.
- Пештің корпусы мен оның есігінің арасына бөгде заттарды орналастыруға болмайды, есіктің ішкі бетіндегі лас немесе жуу құралдарының қалдықтарын мұқият тазалау керек.
- Қысқа толқындардың шығатын орны (3) спюдалық пластинамен жабылған, пластинаны алуға болмайды және оның таза болуын қадағалау керек.
- Бүлінген пешті пайдаланбаңыз, пештің есігінің жақсылап жабылуы аса маңызды.
- Мына жағдайларға жол бермей, қадағалау керек:
  - пеш есігінің механикалық бұзылыстары;
  - есік ілгіші мен бұғаттау жүйесінің ысырмасының бұзылыстары;
  - экрандаушы торкөздің пеш есігінің ішкі жағынан бұзылуы.
- Пешті реттеуді және жөндеуді тек сервистік орталықтардың мамандары ғана жүргізуі керек.

## **ҚАУІПСІЗДІК ШАРАЛАРЫ ЖӘНЕ ҚОЛДАНУҒА БЕРУ ЖӨНІНДЕГІ НҰСҚАУЛЫҚ**

**НАЗАР АУДАРЫҢЫЗ!** Пештің есіктері немесе есік тығыздағыштары бұзылған болса, мұндай ақауларды сервистік орталықтың мамандары жөндегенге дейін пайдалануға болмайды!

**НАЗАР АУДАРЫҢЫЗ!** Қысқа толқынды энергияның әсерінен қорғанысты қамтамасыз ететін қақпақты шешуге байланысты қысқа толқынды пешті жөндеу мен қызмет көрсетуге қатысты жұмыстардың барлығын тек сервистік орталықтың мамандары ғана жасауы керек!

- Қысқа толқынды пешті пайдалану алдында пайдалануға беру жөніндегі нұсқаулықты мұқият оқып шығыңыз, оқыған соң болашақта пайдалану үшін сақтап қойыңыз.
- Құралды осы нұсқаулықта баяндалғандай оның тікелей мақсаты бойынша ғана пайдаланыңыз.
- Құралды дұрыс қолданбау оның бұзылуына, және пайдаланушыға немесе оның мүлкіне зиян келтіруге әкелуі мүмкін және кепілдік жағдайы болып табылмайды.
- Қысқа толқынды пеш тағамдар мен сусындарды дайындауға немесе қыздыруға арналған. Тамақты, киімді, ылғалды матаны кептіру, қыздырғыштарды, ысқышты және сол сияқты заттарды қыздыру пештің бұзылу, заттардың өртке шалыну немесе өрт қаупіне әкелуі мүмкін.

- Заттаңбада көрсетілген құралдың жұмыс көрнеуі электр желісінің көрнеуіне сәйкес екеніне көз жеткізіңіз.
- Өрт шығу қаупін болдырмау үшін
- қысқа толқынды пешті электр розеткасына қосу кезінде ауыстырғыштарды пайдаланбаңыз.
- Қысқа толқынды пештің корпусын, қуаттандыру бауын және қуаттандыру бауының айырын дымқыл қолмен ұстамаңыз.
- Қысқа толқынды пешті үй-жайдан тыс жерде пайдалануға тыйым салынады.
- Найзағай кезінде құралды пайдалануға кеңес берілмейді.
- Құралды соққыдан, құлаудан, дірілден және басқа да механикалық әсерлерден сақтаңыз.
- Құралды жылыту аспаптарының, ашық оттың немесе жылу көздерінің тікелей жанында пайдалануға болмайды.
- Қуаттандыру бауының матасуының алдын алу үшін қысқа қолқынды пеш
- қуаттандыруың қысқа бауымен жабдықтандырылған.
- Электрлік ұзартқыштарды пайдалану қажеттілігі туған кезде, тек желілік айырда және электрлік розеткада тұйықтандырылған байланысы бар 3-сымдық электрлік ұзартқышты ғана пайдалану керек.
- Қысқа толқынды пештің қуаттандыру бауының сымдарының қиысу маркалауы мен ұзартқыштың желілік бауының маркалауы сәйкес келуі керек.
- Ұзарқыштың желілік бауы балалар тартуы мүмкін үстелдің шеттерінен салбырамауы және ол бауды баспайтындай етіп төселуі керек.
- Қысқа толқынды пештің қуаттандыру бауын және қуаттандыру бауының айырын суға немесе кез-келген басқа сұйықтықтарға салуға болмайды.
- Қысқа толқынды пештің қуаттандыру бауының және қуаттандыру бауының айырының ыстық беттермен және жиһаздың үшкір бұрыштарымен жанасуына жол бермеңіз.
- Құрал сырқы таймермен немесе дистанциондық басқарудың жеке жүйесімен іске қосуға арналмаған.
- Қысқа толқынды пешті электр желісінен ажыратқан кезде қуаттандыру бауының айырынан ғана ұстаңыз және оны электр розеткасынан абайлап суырыңыз, қуаттандыру бауынан тартпаңыз – бұл оның зақымдануына әкеліп, қысқа тұйықталуын тудыруы мүмкін.
- Қысқа толқынды пеш ас үй жиһазына кірістіруге арналмаған.
- Қысқа толқынды пештің корпусындағы желдеткіш тесіктерін жабуға болмайды.
- Қысқа толқынды пешті азықсыз қосуға тыйым салынады.
- Қолданатын ыдыс қысқа толқынды пеште пайдалануға жарамды екеніне алдын-ала тексерілуі керек.

- Ыдыс дайындалатын азықтардан жылу қабылдап, қатты қызыуы мүмкін, сондықтан ас үйлік ұстағыштарды пайдалану керек.
- Азық дайындау кезінде қысқа толқынды пештің қолжетімді беттерінің температурасы жоғары болуы мүмкін. Пеш есігінің сыртқы беті де жұмыс кезінде ыстық болуы мүмкін. Күйіп қалмау үшін пештің ыстық беттеріне қол тигізбеңіз.

#### **Пештің жұмыс камерасында өртену қаупіне жол бермеу үшін:**

- Қысқа толқынды пештің жұмыс камерасын әртүрлі заттарды немесе азықтарды сақтау үшін пайдалануға болмайды. Қысқа толқынды пештің ішінде қағазды немесе ас үй бұйымдарын, тіпті пеш қолданылмаған күннің өзінде де, қалдыруға болмайды.
- Тамақты пластикалық немесе қағаз ыдыста қыздыру кезінде, ыдыс жанып кетпеуі үшін, қыздыру үдерісін жиі бақылау керек.
- Пештің ішіне азықты қағаз немесе пластикалық қаппен салардың алдында, олардан металл заттарды (сымды бұрағыш, фольга ж.с.с.) алып тастау керек.
- Түтін шыққан кезде қысқа толқынды пешті өшіріңіз, өрттің таралуына жол бермеу үшін қуаттандыру бауының айырын электрлік розеткадан шығарыңыз, пештің есігін ашуға болмайды, өрттің таралуына жол бермейтін шараларды жасаңыз.

#### **ЕСКЕРТУ:**

- Сұйықтықтарды немесе тамақты жабық контейнерде қыздыруға болмайды, олар атылуы мүмкін.
- Сусындарды қыздырғаннан кейін олар қатты қайнауы мүмкін, сондықтан сусынды пештен шығаратын кезде сақ болыңыз.
- Балалар тамағы бар бөтелкелер мен құтыларды қыздырғаннан кейін, бала күйіп қалмауы үшін, оны балаға берердің алдында шайқап, ішіндегі тамақтың температурасын тексеру керек.
- Қысқа толқынды пешті фритюрде қуыру үшін пайдаланатын майды қыздыру үшін пайдалануға болмайды. Ыстық май күрт қайнап, пештің немесе ыдыстың бөлшектерін бүлдіруі мүмкін, сонымен қатар күйдіруі де мүмкін.
- Қысқа толқынды пеште қабығы ашылмаған жұмыртқаны қыздыруға немесе дайындауға тыйым салынады, себебі жұмыртқа пешті өшіргеннен кейін де атылуы мүмкін.
- Картоп, кәді, алма т.с.с. қабығы қатты азықтарды дәл дайындаудың алдында бірнеше жерден тесіңіз.
- Пештің жұмыс камерасын жүйелі түрде тазалап, тамақтың барлық қалдықтарын кетіру керек.
- Пештің жұмыс камерасының жеткіліксіз тазалығы жұмыс камераның бетінің бұзылуына әкелуі мүмкін, бұл құралдың қызмет ету мерзімін қысқартады.

немесе қауіпті жағдайдың тууына әкелуі мүмкін.

- Балалардың қауіпсіздігі үшін қаптама ретінде пайдаланылатын полиэтилен пакеттерді қадағалаусыз қалдырмаңыз.

Назар аударыңыз! Балаларға полиэтилен қаптармен немесе қаптамалық үлдірмен ойнауға рұқсат етпеңіз. Тұншығу қаупі бар!

- Құрал балалардың пайдалануына арналмаған.
- Құралды ойыншық ретінде пайдалануға жол бермеу үшін балаларды қадағалаңыз.
- Балаларға жұмыс істеп тұрған құралдың жұмыс бетін, құрал корпусын, қуаттандыру бауы немесе қуаттандыру бауының айырын ұстауға рұқсат етпеңіз.
- Егер жұмыс істеп тұрған құралдың маңында балалар немесе мүмкіндіктері шектеулі адамдар болса, онда ерекше назарда болыңыз.
- Дене, жүйке немесе сана мүмкіндіктері төмендетілген тұлғалардың (балаларды қоса алғанда) немесе оларда тәжірибесі немесе білімі болмаса, егер олар бақыланбаса немесе олардың қауіпсіздігі үшін жауап беретін тұлғамен аспапты пайдалану туралы нұсқаулықтар берілген болмаса, аспап олардың пайдалануына арналмаған.
- Қуаттандыру бауының оқшаулану күйін жүйелі түрде тексеріп отырыңыз.
- Қуаттандыру бауы зақымданғанда қауіп тудырмау

үшін оны дайындаушы, сервистік қызмет немесе баламалық білікті маман ауыстыруы тиіс.

- Құралды өздігіңізден жөндеуге тыйым салынады. Құралды өздігіңізден бөлшектемеңіз, кез-келген ақаулықтар пайда болғанда, сондай-ақ құрал құлаған болса оны электр желісінен ажыратыңыз және сервис орталығына жүгініңіз.

#### ЕСКЕРТУ:

Қысқа толқынды пеш иесінің кінәсі бойынша істен шыққан жағдайда иесі тегін кепілдік қызмет көрсету мен жөндеу құқығынан айырылады.

- Құралды зақымдамау үшін оны тек зауыттық қаптамасында тасымалдау керек. Пешті тасымалдаудың алдында шыны табандықтың бұзылысына жол бермеу үшін оны бекіткеніңізге көз жеткізіңіз.
- Құралды салқын және құрғақ, балалардың және мүмкіндігі шектеулі адамдардың қолы жетпейтін жерде сақтаңыз.

#### **ҚҰРАЛ ТЕК ТҰРМЫСТЫҚ ПАЙДАЛАНУҒА АРНАЛҒАН, ҚҰРАЛДЫ КОММЕРЦИЯЛЫҚ НЕМЕСЕ ЗЕРТХАНАЛЫҚ МАҚСАТТАРДА ПАЙДАЛАНУҒА ТЫЙЫМ САЛЫНАДЫ.**

#### **ҚЫСҚА ТОЛҚЫНДЫ ПЕШТЕРДЕ АЗЫҚ-ТҮЛІКТІ ДАЙЫНДАУДЫҢ ЖАЛПЫ ЕРЕЖЕЛЕРІ**

- Тағамды әзірлеу кезінде қысқа толқынды пешке арналған ыдысты шыны табандыққа орналастыра отырып пайдаланыңыз.

- Азықтардың бірқалыпты қызуы үшін азықтың қалың бөліктерін ыдыстың шет жағасына орналастыру керек.
- Дайындау үдерісін жылдамдату үшін жылдам дайындалатын азықты, мысалы, гамбургер, сонымен қатар еттің үлкен тіліктерін, бір немесе бірнеше рет аударыңыз.
- Бекон дайындау үшін оны тікелей шыны табандыққа салмаңыз, шыны табандықты жергілікті қыздыру оған сызат түсіруі мүмкін.
- Азықтарды қысқа толқынды пештерде пайдалануға жарамды қақпақтың астында дайындаңыз, қақпақ сөлдің немесе майдың шашырауына жол бермейді және азықтардың бірқалыпты дайындалуына көмектеседі.
- Азықтардың дайындалу ұзақтығын қадағалау керек. Азықтарды дайындаудың ең қысқа ұзақтығын белгілеңіз, керек кезде дайындау ұзақтығын ұлғайтуға болады.
- Азықтарды дайындау ұзақтығын тым асырып жібермеу керек, бұл оның жанып кетуіне апаруы мүмкін.
- Азықтарды герметикалық немесе вакуумдық қаптамада қыздыру немесе дайындау алдында оны ашуды ұмытпау керек. Кері жағдайда, оның ішінде қаптаманы жарып жіберетін қысым пайда болуы мүмкін.
- Қысқа толқынды пеште қабығы ашылмаған жұмыртқаны және қатып пісірілген жұмыртқаны дайын-

дауға және қыздыруға тыйым салынады, өйткені олар пешті өшіргеннен кейін де ішкі қысымның жоғарылауы әсерінен жарылып кетуі мүмкін.

- Қалың қабығы бар азықтарды (мысалы, картопты, кәділерді немесе алмаларды) пісіру алдында тесіңіз.
- Баланы тамақтандыруға арналған бөтелкелер және бала тағамы бар құтыларды пешке қақпақсыз және емізкісіз орналастыру қажет. Құтының ішіндегі тағамды араластыру және жиі шайқау керек. Балаға тамақ берердің алдында, күйіп қалуға жол бермеу үшін, міндетті түрде азықтың температурасын тексеру керек.

#### **ЫДЫСТЫ ТАҢДАУҒА ҚАТЫСТЫ ҰСЫНЫСТАР**

- Азықтарды қысқа толқынды пеште дайындау және қыздыру үшін арнайы ыдысты пайдалану керек.
- Қысқа толқынды пешке арналған ыдыстың материалы қысқа толқындар үшін «мөлдір» болуы керек, бұл қысқа толқынды энергияға ыдыс арқылы еркін кіруге және азықтарды дайындауға немесе қыздыруға мүмкіндік береді.
- Қысқа толқындар металл арқылы ене алмайды, сондықтан металл ыдысты немесе металл әрлеуі бар ыдысты қысқа толқынды пеште пайдалануға тыйым салынады.
- Пешке қайталана қолданылған қағаздан жасалған ыдысты салуға болмайды, себебі ол оның құрамында металдың дағы болуы мүмкін, ол өз кезе-



- гінде қаптаманың өртенуіне себеп болуы мүмкін.
- Шаршылы немесе тікбұрышты контейнерлерге қаоағанда дөңгелек немесе сопақша ыдыс пайдаланған дұрыс, себебі ондай контейнерлердің бұрыштарында азықтар қатты қызады.
  - Азықтардың шығыңқы бөліктерінің қызып кетуінің алдын алу үшін алюминий фольганың жіңішке сызықтарын пайдалануға болады. Сақ болыңыз, алюминий фольга көп болмауы керек және фольга мен жұмыс камерасының қабырғаларына дейінгі қашықтық 2-3 см кем болмауы керек.
  - Кетіктері немесе жарықтары бар ыдысты пайдалануға болмайды.

### ҚЫСҚА ТОЛҚЫНДЫ ПЕШТЕ ПАЙДАЛАНУ АЛДЫНДА ЫДЫСТЫ ТЕКСЕРУ

- Ыдысты пайдалану алдында оның қысқа тоқынды пешке жарамдылығын оңай тәсілмен тексеруге кеңес беріледі.
- Тексерілетін ыдысты, мысалы, тәрелкені, пештің жұмыс камерасына орнатыңыз, оған суық суы бар шыны стаканды қойыңыз.
- Қысқа толқынды пешті максималдық қуатқа қосыңыз және 1 минуттан аспайтын жұмыс уақытын белгілеңіз.
- Тексерілетін ыдысқа ақырын қол тигізіңіз, егер ыдыс қызып, ал стакандағы сусуық болса, онда ондай ыдысты қысқа толқынды пеште азық дайындау үшін пайдалануға тыйым салынады.

- Ыдысты тексеру уақытын 1 минуттан асырмаңыз.

### ҚЫСҚА ТОЛҚЫНДЫ ПЕШТЕ ПАЙДАЛАНУҒА АРНАЛҒАН МАТЕРИАЛДАР МЕН ЫДЫС

Түсті ас ыдысы	Тиісті маркалауы бар ыдысты пайдаланыңыз. Ыдысты дайындаушының нұсқаулықтарын сақтау керек. Кетіктері немесе жарықтары бар ыдысты пайдалануға болмайды
Шыны ыдыстар	Ыстыққа төзімді шыныдан жасалған ыдыстарды пайдаланыңыз. Ыдыста металдан жасалған шеңберлерінің жоқ екендігіне көз жеткізіңіз. Кетіктері немесе жарықтары бар ыдыстарды пайдалануға болмайды
Шыны ыдыс	Ыстыққа төзімді шыныдан жасалған ыдыстарды пайдаланыңыз. Ыдыста металдан жасалған шеңберлерінің жоқ екендігіне көз жеткізіңіз. Кетіктері немесе жарықтары бар ыдысты пайдалануға болмайды
Арнайы қапшықтарды пайдалану	Өндірушінің нұсқаулықтарын сақтау керек. Қапшықтарды металл бұрауыштармен жабуға болмайды. Қапшықта будың шығуы үшін бернеше саңылаулар жасау керек
Қағаз тәрелкелер мен шыныаяқтар	Қағаз тәрелкелер мен шыныаяқтарды азықтарды тек қана аз уақытқа дайындау/қыздыру үшін пайдалану керек. Мұндай ыдыста тамақты пісіру/қыздыру кезінде қысқа толқынды пешті қараусыз қалдырмаңыз

Қағаз орамалдар	Тағамдарды жылы ұстау үшін және майдың шашырауына жол бермеу үшін оларды қағаз орамалдармен жабуға болады. Қағаз орамалдарды үнемі бақылауда болған кезде және тек қысқа уақыт ішінде әзірлеу/қыздыру үшін пайдаланыңыз
Пергаментті қағаз	Пергаментті қағазды орау үшін немесе майдың шашырауын болдырмас үшін пайдалануға болады
Пластик	Тиісті маркалауы бар пластиктен жасалған бұйымдарды пайдалану керек. Өндірушінің нұсқаулықтарын сақтау керек. Кейбір пластик ыдыстар ішіндегі азықтардың қызуының нәтижесінен жұмсарып кетуі мүмкін, ыдысты қысқа толқынды пештен шығарған кезде сақ болыңыз. Герметикалық жабық пластикалық қаптарды сол қаптамада көрсетілгендей етіп тесу немесе шаншу керек
Балауыз қағаз	Балауыз қағазды май шашыратуды болдырмау үшін, сондай-ақ жылу мен ылғалды сақтау үшін пайдаланыңыз

## ҚЫСҚА ТОЛҚЫНДЫ ПЕШТЕ ПАЙДАЛАНУҒА ҮШІН ЖАРАМСЫЗ МАТЕРИАЛДАР МЕН ЫДЫ-СТАР

Алюминий жайпақ табақ және фольга	Фольга мен алюминий жайпақ табақ ұшқын тудыруы мүмкін. Қысқа толқынды пеште пайдалануға арналған ыдыстарды ғана пайдалану керек.
-----------------------------------	--

Металл тұтқасы бар картоннан жасалған шыныаяқ	Металл тұтқасы бар картоннан жасалған шыныаяқ ұшқын тудыруы мүмкін. Қысқа толқынды пеште пайдалануға арналған ыдыстарды ғана пайдалану керек.
Металл ыдыс немесе металл шеңбері бар ыдыс	Металл қысқа толқынның энергиясын қақпалайды. Металл шеңбер ұшқынды тудыруы мүмкін.
Металл бұрауыштар	Металл бұрауыштар тамақ әзірлеу/қыздыру кезінде ұшқын тудыруы немесе өртенуге әкелуі мүмкін.
Қағаз қапшықтар	Қағаз қапшықтар қысқа толқынды пештің жұмыс камерасының өртенуіне әкелуі мүмкін.
Сабын	Сабын еріп кетуі және қысқа толқынды пештің жұмыс камерасын лаптауы мүмкін.
Ағаш	Ағаштан жасалған ыдыс құрғап, жарылып және жалындап жанып кетуі мүмкін.

## АЛҒАШ РЕТ ПАЙДАЛАНУ АЛДЫНДА

Құралды кері температурада тасымалдағаннан немесе сақтағаннан кейін оны қаптамадан шығарыңыз және пайдаланудың алдында кемінде 3 сағат күтіңіз.

- Қысқа толқынды пешті қаптамасынан шығарыңыз және барлық қаптама материалдары мен жарнамалық жапсырмаларды алып тастаңыз.
- Егер корпусында қорғаныс үлдір болса, онда оны корпус бетінен алып тастаңыз.

- Магнетронды қорғау үшін қызмет ететін, қысқа толқындардың (3) шығатын орнындағы жұмыс камерасының ішіндегі ашық-сұр слюдалық пластинаны алып тастауға болмайды.
- Зауыт қаптамасын сақтап қойыңыз.
- Қауіпсіздік шаралары мен пайдалануға беруге қатысты кеңестермен танысыңыз.
- Жинақталымын тексеріңіз.
- Құралда көрсетілген қуаттандыру кернеуінің параметрлері электр желісінің параметрлеріне сәйкес келетініне көз жеткізіңіз.
- Қысқа толқынды пешті жоғары ылғалдылықты және температурасы жоғары жерде, сонымен қатар оңай тұтанатын заттар мен сұйықтықтарға жақын жерлерде, сондай-ақ оларды сақтау орындарында орналастыруға және пайдалануға тыйым салынады.
- Пешті балалардың қолдары жетпейтін жерлерге орналастыру керек.
- Қысқа толқынды пешті, оның салмағы мен оның ішінде дайындалатын азықтардың салмаған көтеруге қабілетті, тегіс, құрғақ және тұрақты жерге орнату керек.
- Пешті қабырғадан бастап пештің артқы және бүйір қабырғаларына дейінгі қашықтық 20 см кем емес, ал пештің үстіндегі бос кеңістік кемінде 30 см құрайтындай етіп орналастыру керек.
- Электрлік розетка қысқа толқынды пешке жақын орналасуы керек, себебі шұғыл қажет болған сәтте қуаттандыру бауының айырын розеткадан жылдам шығара алатындай болуы керек.
- Пештің артқы қабырғасында орналасқан шектеуіштерді шешуге болмайды, себебі олар ауаның айналымына қажетті қашықтықты қамтамасыз етеді.
- Пештің аяқтарын шешуге тыйым салынады.
- Қысқа толқынды пешті тек үй жағдайында ғана пайдалану керек.

## **ҚЫСҚА ТОЛҚЫНДЫ ПЕШТІ ОРНАТУ**

### **ЕСКЕРТУ:**

– Қысқа толқынды пешті орнату алдында кез-келген бұзылыстардың, мысалы, есіктің бүгілгені немесе майысқаны, зақымданған тығыз беттердің, сынған немесе әлсіз есік ілмектерінің немесе бұғаттау жүйесінің ілмектерінің жоқтығын, сонымен қатар пештің жұмыс камерасының ішінде және пеш есігінде майысқанының жоқтығын тексеру керек.

– Қандай да бір бұзылыстар бар болған кезде қысқа толқынды пешті қосуға болмайды, сауда ұйымына немесе сервистік орталыққа хабарласыңыз.

- Қысқа толқынды пешті үй-жайдан тыс жерде пайдалануға тыйым салынады.
- Қысқа толқынды пештің дұрыс жұмыс жасауы үшін жақсы желдету керек.

## **ҚЫСҚА ТОЛҚЫНДЫ ПЕШТІ ТҰЙЫҚТАУҒА ҚАТЫСТЫ НҰСҚАУЛАР**

- Қысқа толқынды пеш сенімді тұйықталуы керек. Қандайда бір ішкі матасу орын алған кезде тұйықталу электр тогының ұру қаупін төмендетеді, себебі токтың жылыстауы тұйықтандырылған сым бойынша жүреді.
- Қысқа толқынды пештің қуаттандыру бауы тұйықталған сымы бар 3-сымдық, ал қуаттандыру бауының айырының тұйықталу байланысы болуы керек. Қуаттандыру бауының айыры жерге тұйықталуға байланысы бар желілік розеткаға қосылады.

### **ЕСКЕРТУ:**

Тұйықталу байланысы бар қысқа толқынды пештің қуаттандыру бауының айырын тұйықталу байланысы жоқ электрлік розеткаға қосу электр тогы ұру қаупіне екеуі мүмкін.

- Егер сізге тұйықтандыру жөніндегі нұсқаулық түсініксіз болса немесе қысқа толқынды пештің сенімді тұйықталғандығына күмән туған кезде, білікті электрикпен кеңес алыңыз.
- Қуаттандыру бауындағы сымдардың келесі түсті маркалауы бар:

Сары-жасыл – «ТҰЙЫҚТАЛУ»

Көк – «БЕЙТАРАП»

Қоңыр – «КЕРНЕУ»

## **РАДИО КЕДЕРГІЛЕР**

- Жұмыс кезінде қысқа толқынды пеш радиоқабылдағыштардың, теледидардың және соған ұқсас жабдықтардың жұмысына кедергі келтіруі мүмкін.
- Ондай кедергілер туған кезде оларды келесі шараларды қолданып, басуға немесе толық кетіруге болады:
  - радиоқабылдағыштың немесе теледидардың қабылдайтын антеннасын қайта бағдарлау керек;
  - қысқа толқынды пештің күйін радиоқабылдағышқа немесе теледидарға қатысты өзгерту керек;
  - қысқа толқынды пешті радио қабылдағыштан немесе теледидардан алыс орнату керек;
  - қысқа толқынды пешті пеш, қабылдағыш пен теледидар электрлік желінің өртүрлі тізбегіне қосылатындай етіп, басқа розеткаға салыңыз.

## **ҚЫСҚА ТОЛҚЫНДЫ ПЕШТІ ҚҰРАСТЫРУ**

### **Шыны түпқойманы орнату**

- Пештің есігін (2) ашыңыз.
- Шыны түпқойманың (5) дөңгелекті тірегін (4) жұмыс камерасының түбінде орналасқан саңылауға орнатыңыз.
- Шыны түпқойманы (5) ұқыпты етіп дөңгелекті тірекке (4) орнатыңыз.
- Шыны түпқойманы (5) төменгі жағымен жоғары қаратып орнатуға тыйым салынады.

### **Ескөртпелер:**

- пеш жұмыс істеген уақытта шыны түпқойманың (5) айналуына кедергі жасамаңыз. Қысқа толқынды пеш жұмыс істеген кезде шыны түпқойма (5) сағат тілі бойынша немесе оған қарсы айналуы мүмкін.
- азық-түлікті дайындауға арналған азық пен ыдысты тек шыны түпқоймаға (5) орнату қажет.
- шыны түпқоймада (5) жарықтар мен кетіктер пайда болған кезде оны дереу алмастырыңыз.

### **АЗЫҚТАРДЫ ДАЙЫНДАУ НЕМЕСЕ ҚЫЗДЫРУ**

- Қуаттандыру бауының айырын электр розеткасына салыңыз.
- Есікті (2) ашыңыз, азықтарды қысқа толқынды пешке салып, пештің есігін (2) жабыңыз.
- Қуаттылықтың деңгейін белгілеу үшін жұмыс тәртіптерін ауыстырғыштың (7) тұтқасын бұраңыз және оны керекті күйге белгілеңіз:
  - «Макс.» – максималдық қуаттылық – 100%
  - «Орташа» – орташа қуаттылық – 88%
  - «Орташа» – орташа қуаттылық – 73%
  - «Төмен» – төменгі қуаттылық – 52%
  - «Еріту» – азықтарды еріту тәртібі – 42%
  - «Мин.» – минималдық қуаттылық – 20%
- Азықтарды дайындау уақыты тұтқаны (8) бұрау

арқылы белгіленеді.

- Азықтарды дайындау уақытын 1 минуттан бастап 3 минутқа дейін белгілеуге болады.

### **Ескөртпелер:**

- қысқа толқынды пеш тұтқаны (8) бұраған кезде қосылады;
- егер 1-2 минуттық жұмыс уақытын белгілеу керек болса, онда тұтқаны (8) «1-2» белгісінен ары қарай бұрауға кеңес беріледі, ал одан кейін тұтқаны (8) бұрау және жұмыстың минималдық «1-2» минут уақытын белгілеу керек.

- Азықтарды дайындау кезінде пешті өшіру керек бола, онда тұтқаны (8) «0» күйіне бұраңыз.

**ЕСКЕРТУ:** Пешті үнемі тұтқаны (8) «0» күйіне қойып, өшіру керек.

### **СЕРВИСТІК ОРТАЛЫҚҚА ХАБАРЛАСУДЫҢ АЛДЫНДА**

- Егер қысқа толқынды пеш қосылмай жатса, онда келесі әрекеттерді жасауға кеңес беріледі:
  - электрлік розеткаға істейтін электрлік аспапты қосып, онда кернеудің бар екендігіне көз жеткізіңіз;
  - қысқа толқынды пештің қуаттандыру бауының айыры электрлік розеткаға салынғандығына көз жеткізіңіз.
- электрлік жүйенің қорғаныс автоматы іске қосылмағанын тексеріңіз, егер қорғаныс автоматы жұ-

мыс күйінде тұрса, онда электрлік розеткаға істейтін электрлік аспапты қосып, оны тексеру керек;

– қысқа толқынды пештің есігі тығыз жабық екендігіне көз жеткізіңіз, кері жағдайда қысқа толқынды пеш қосылмайды;

– жұмыс тәртіптерін ауыстырғыш пен таймердің дұрыс орнатылғандығына көз жеткізіңіз.

**ЕГЕР КӨРСЕТІЛГЕН ӘРЕКЕТТЕРДІҢ ЕШҚАЙСЫ-СЫ МӘСЕЛЕНІ ШЕШУГЕ МҮМКІНДІК БЕРМЕСЕ, ОҢДА СЕРВИСТІК ОРТАЛЫҚҚА ХАБАРЛАСУ КЕРЕК.**

**ҚЫСҚА ТОЛҚЫНДЫ ПЕШТІ ӨЗДІГІНЕН ЖӨНДЕУГЕ ТЫЙЫМ САЛЫНАДЫ.**

**ТАЗАЛАУ ЖӘНЕ КҮТІМ**

Пешті жүйелі түрде тазалау керек. Қысқа толқынды пешті тиісті тазаламау салдарынан оның беті тез тозып қалуы мүмкін, ал бұл аспаптың дұрыс жұмыс істеуіне кері әсерін тигізеді және пайдаланушы үшін де қауіп төндіруі мүмкін.

- Қысқа толқынды тазалау алдында оны өшіріп, қуаттандыру бауының айырын элетрлік розеткадан шығарыңыз.
- Басқару панеліне ылғалдың түсуін болдырмау керек, оны сәл ғана дымқыл жұмсақ матамен сүрту керек, артынан құрғатып сүртіп алу керек.

- Қысқа толқынды пештің жұмыс камерасын таза ұстаңыз. Егер де пештің қабырғаларында тамақ қалдықтары немесе ағындылар қалған жағдайда оларды дымқыл матамен сүртіп алу керек.
- Аса қатты ластанған жұмысшы камераға жұмсақ жуу құралын пайдалануға болады.
- Пештің ішкі және сыртқы беттерін тазалау үшін абразивтік жуу құралдарын пайдалануға болмайды.
- Ауа мен буға арналған корпустың қақпағының тесіктеріне су немесе жуу құралдарының түсіп кетпеуін бақылап отырыңыз.
- Пеш есігінің тазалығын тексеріңіз, пештің есігін жүйелі түрде екі жағынан сүртіп отырыңыз.
- Алдыңғы панель мен есік арасында тамақ қалдықтары мен қиқымдарының жиналуына жол бермеу керек, бұл есіктің дұрыс жабылуына кедергі болады.
- Шыны түпқойма мен оның дөңгелекті тірегін жүйелі түрде шешіп, тазалаңыз; жұмыс камерасының астын сүрту керек.
- Шыны түпқойма мен дөңгелекті тіректі бейтарап жуатын құралы бар жылы сумен жуып, артынан шаю және сүрті керек.
- Дөңгелекті тірек пен шыны түпқойманы ыдыс жуатын машинада жууға болады.
- Қызып тұрған шыны түпқойманы суық суға салуға болмайды: температураның жедел төмендеуі салдарынан шыны түпқойма жарылып кетуі мүмкін.

- Пештің жұмыс камерасындағы бөтен иістерді кетіру үшін бір тостаған суға бір лимонның шырыны мен қабығын араластырыңыз, терең төрелкеге немесе қысқа толқынды пешке арналған контейнерге құйыңыз да түпқоймаға қойыңыз, пешті орташа қуаттылыққа белгілеп, 5 минуттан бастап 8 минутқа дейінгі уақытты орнатыңыз.
- Есікті ашыңыз және пештің жұмыс камерасын мұқият сүртіп алыңыз.

### **САҚТАУ**

- Қысқа толқынды пешті ұзақ уақытта сақтау алдында жұмыс камерасы мен пеш корпусының сыртқы бетін тазалап алу керек.
- Қысқа толқынды пешті салқын және құрғақ жерде, балалардың және мүмкіндігі шектеулі адамдардың қолы жетпейтін жерде сақтаңыз.

### **ЖИНАҒЫ**

1. Қысқа толқынды пеш – 1 дана.
2. Шыны түпқойманың тірегі – 1 дана.
3. Шыны түпқойма – 1 дана.
4. Нұсқаулық – 1 дана.

### **ТЕХНИКАЛЫҚ СИПАТТАМАЛАРЫ**

- Қысқа толқынды пеш В класы 2-топқа жатады.
- 2-топтың жабдығы: 2-топ ішінде 9 кГц бастап 400 ГГц дейінгі жиілікті диапазондағы радиожілікті энергия электр-магниттік сәуле түрінде, индук-

тивтік және/немесе сыйымдылықты байланыс, материалды өңдеу үшін, бақылау/талдау мақсаттары немесе электр-магниттік энергияны беру үшін арнайы генерацияланатын және пайдаланылатын немесе тек жергілікті түрде пайдаланылатын ISM жабдығын барлық радиожілігінен тұрады.

- В класының жабдығы – тұрмыстық мақсаттар үшін пайдаланылатын ғимаратты жабдықтайтын төмен кернеудегі электрлік қуаттандыру желілеріне тікелей қосылған тұрғын үй-жайларда және мекемелерде пайдалануға жарамды жабдық.

### **Пайдалануға беру шарттары:**

- Ауа температурасы: +10°C бастап +35°C дейін
- Ауаның салыстырмалы ылғалдығы: 35-80%
- Атмосфералық қысым: 86-106 кПа (сын. бағ. б. 650 – 800 мм.)

### **Негізгі параметрлері**

- Электр қуаттандыруы: 220-240 В ~ 50 Гц
- АЖЖ тәртібінде номиналдық тұтынатын қуаттылығы: 1200 Вт
- АЖЖ номиналдық шығыс қуаттылығы: 700 Вт
- Жұмыс жиілігі: 2450 ± 49 МГц
- Жұмыс камерасының көлемі: 20 л
- Шыны түпқойманың диаметрі: 245 мм
- Габариттік өлшемдері: 262×452×330 мм
- Таза салмағы: 10,5 кг

## КӨДЕГЕ АСЫРУ



Қалдықтардың бақыланбай пайдаға асыруынан қоршаған ортаға немесе адамдардың денсаулығына зиян келтірмеу үшін, құралдың немесе қуаттандыру элементтерінің (егер жинағына

кірсе) қызмет ету мерзімі аяқталғаннан кейін оларды әдеттегі тұрмыстық қалдықтармен бірге тастамаңыз, аспапты және қуаттандыру элементтерін одан әрі көдеге асыру үшін арнайы пункттерге жіберіңіз.

Бұйымдарды көдеге асыру кезінде пайда болатын қалдықтар белгіленген тәртіп бойынша келесі пайдаға асырылатын тәртіппен міндетті түрде жинауға жатады.

Берілген өнімді көдеге асыру туралы қосымша ақпаратты алу үшін жергілікті муниципалитетке, тұрмыстық қалдықтарды пайдаға асыру қызметіне немесе осы өнімді сатып алған дүкенге жүгініңіз.

Өндіруші алдын-ала ескертусіз, құралдың дизайнын, конструкциясы мен оның жалпы жұмыс ұстанымдарына әсер етпейтін техникалық сипаттамаларын өзгерту құқығын өзіне қалдырады.

### **Құралдың қызмет ету мерзімі – 3 жыл**

Өндірілген күні сериялық нөмірде көрсетілген.

Қандай да бір ақаулықтар табылған жағдайда дереу авторландырылған сервистік орталыққа жүгіну керек.







Hergestellt für «Ruste GmbH»,  
Berggasse 18/18, 1090 Wien,  
Österreich

Produced for «Ruste GmbH»,  
Berggasse 18/18, 1090 Vienna, Austria

Изготовлено по заказу Русте Гмбх,  
Бергассе 18/18, 1090 Вена, Австрия

Уполномоченное изготовителем  
лицо: ООО «Грантэл»  
143912, МО, г. Балашиха,  
ш. Энтузиастов, вл. 1А  
т.: +7(495) 297-50-20,  
e-mail: info@brayer.su

Made in China/Произведено в Китае

brayer.pro

