

CaDA

MECHANICAL
work laboratory

STEAM

Science Technology Engineering Art Maths

6

MODELS

Ages

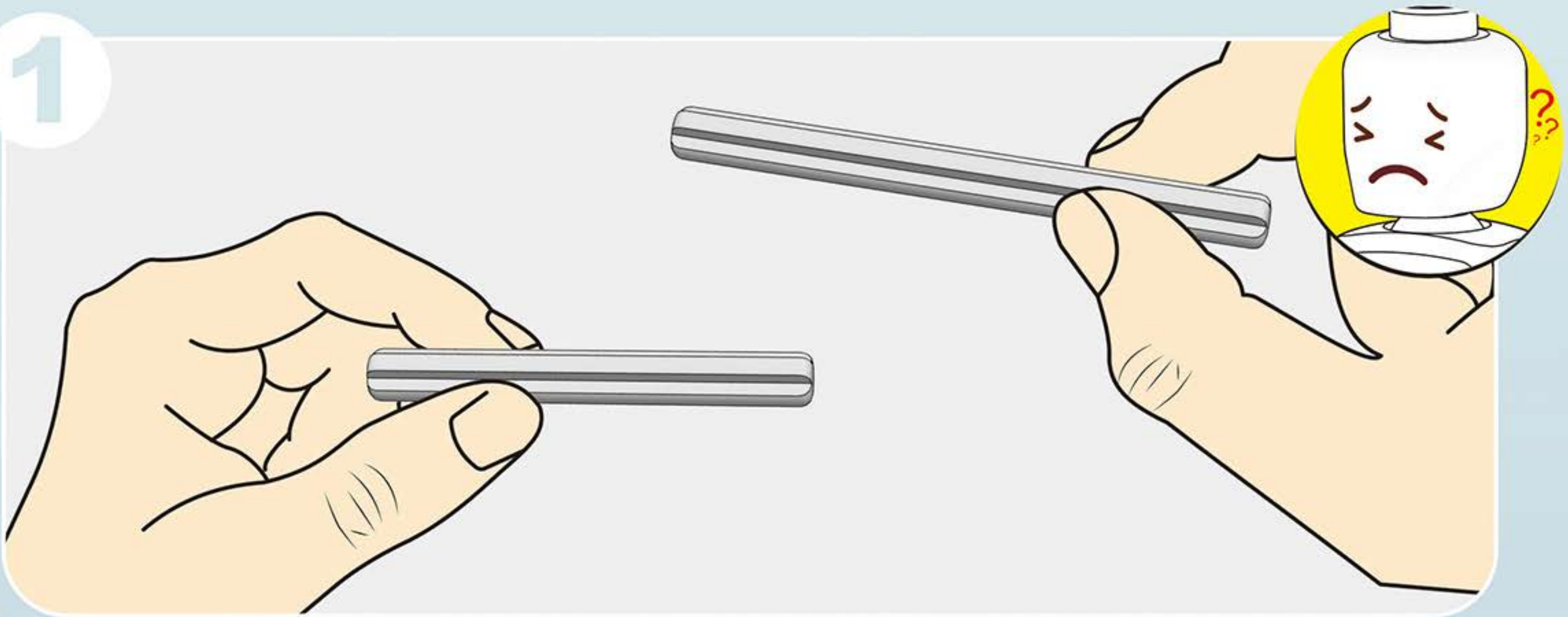
6+

C52015

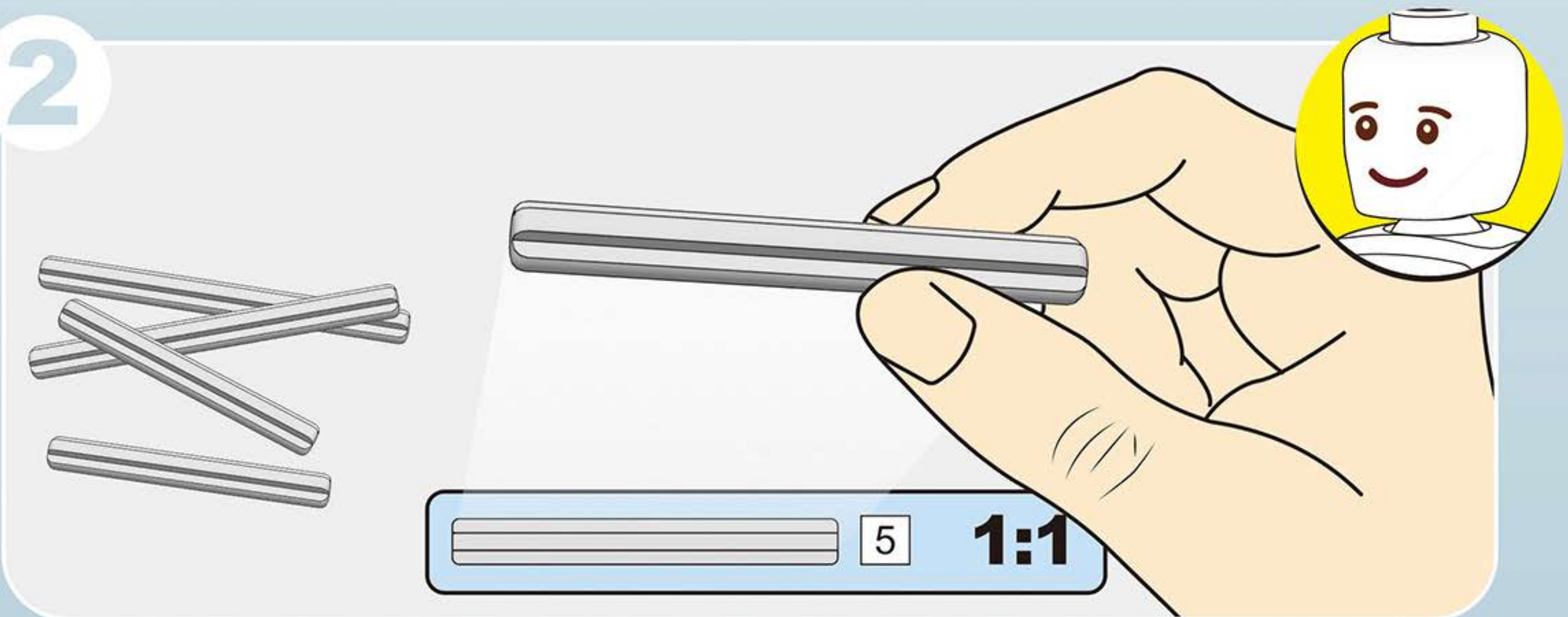
**509
PCS**



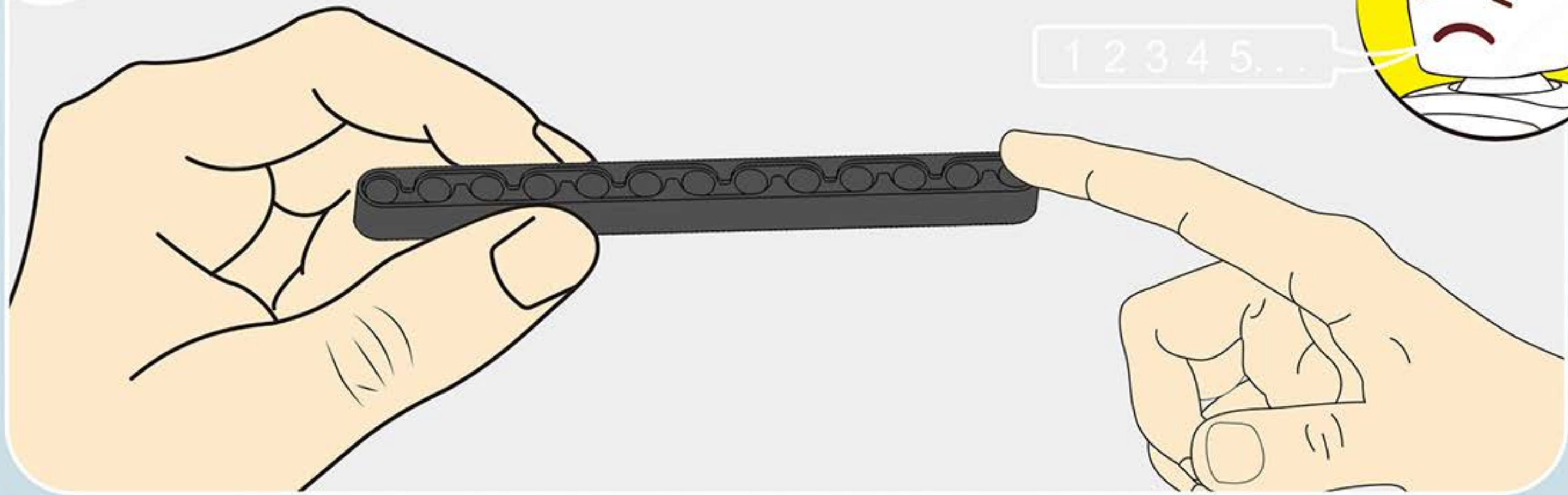
1



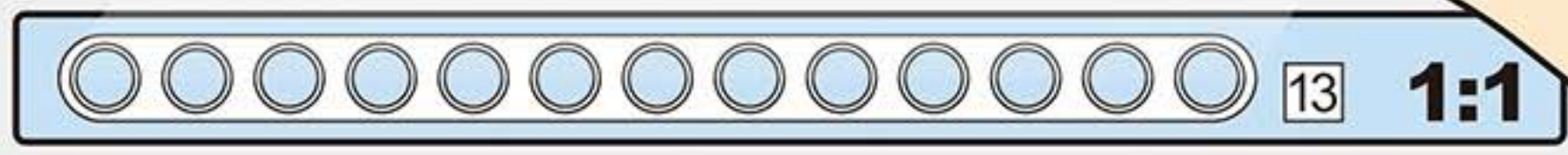
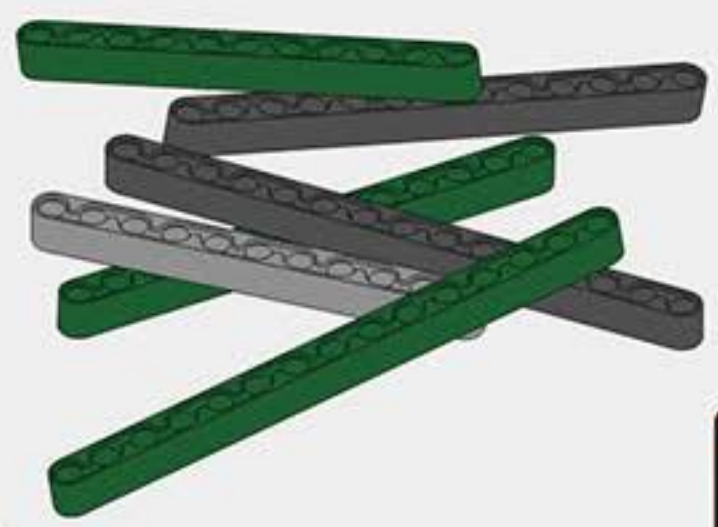
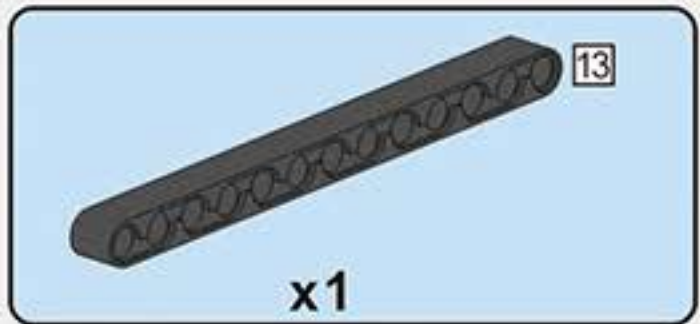
2

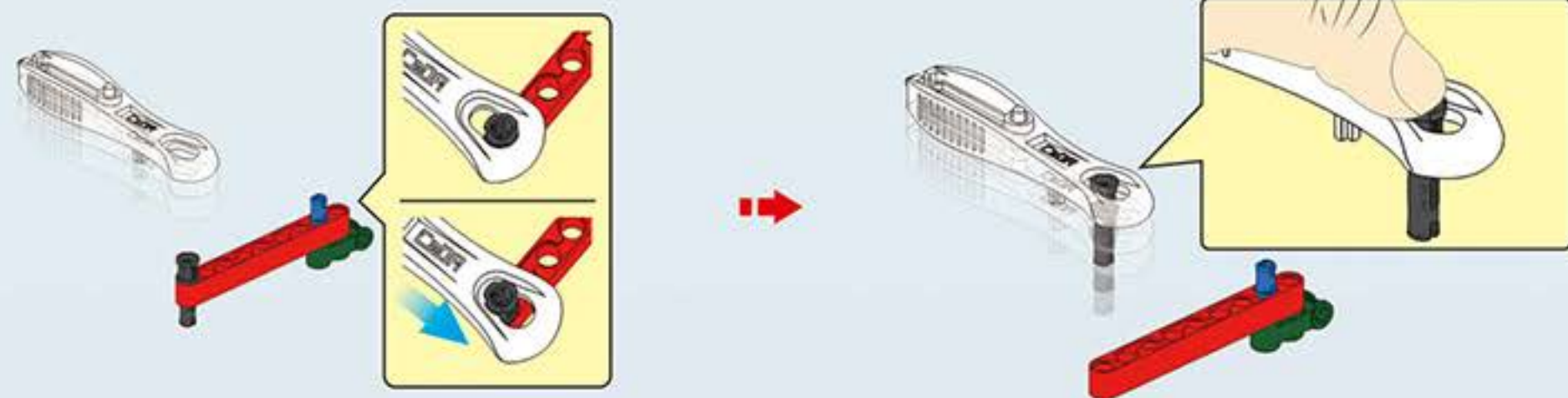
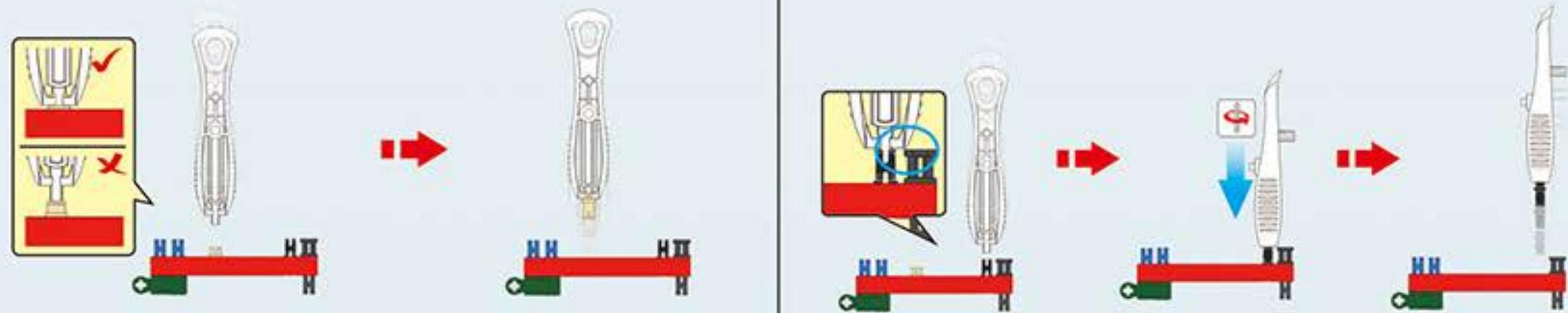
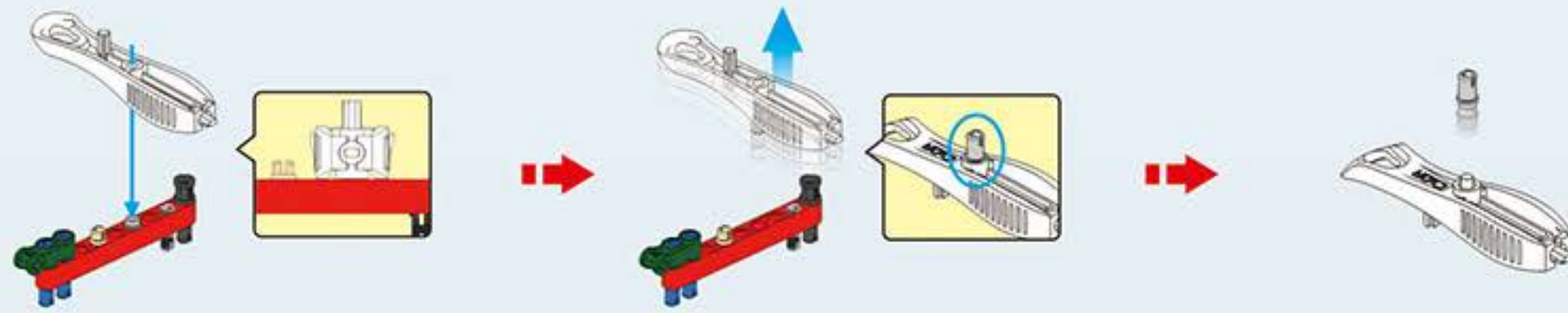
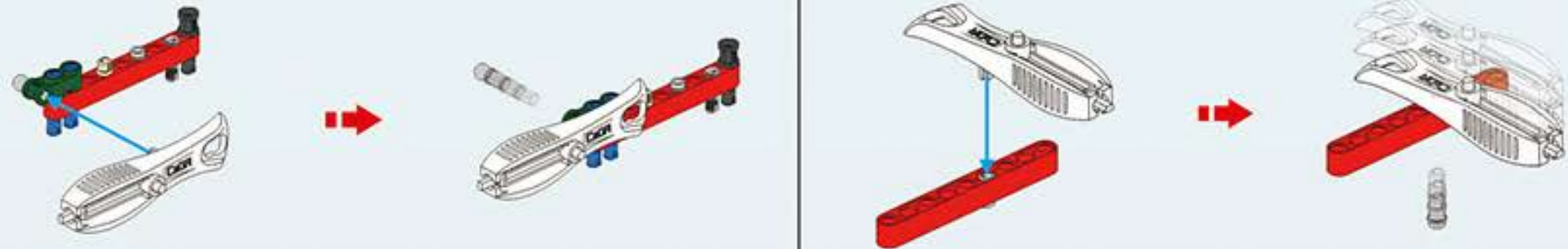


1

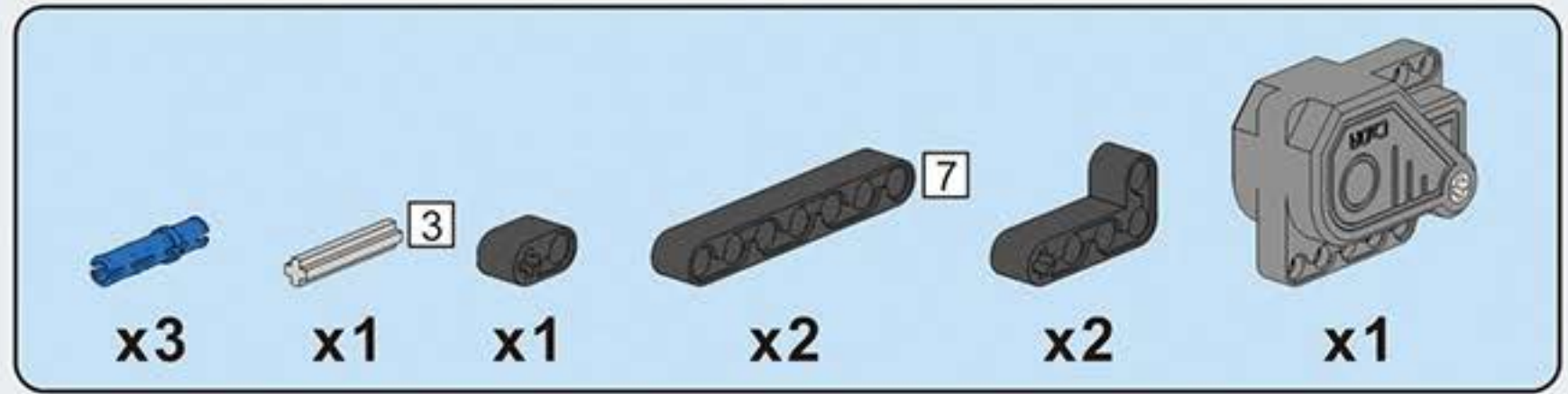
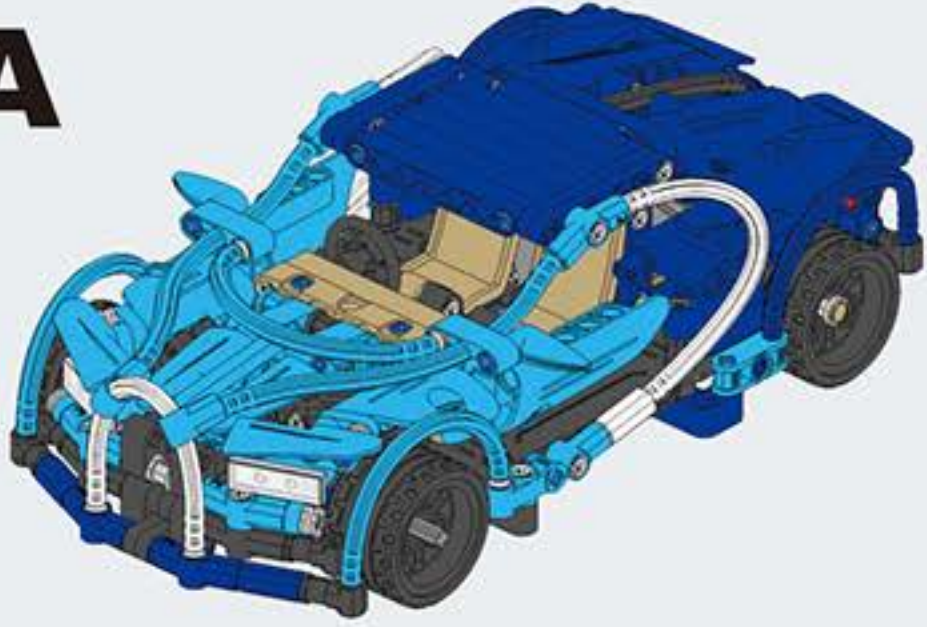


2

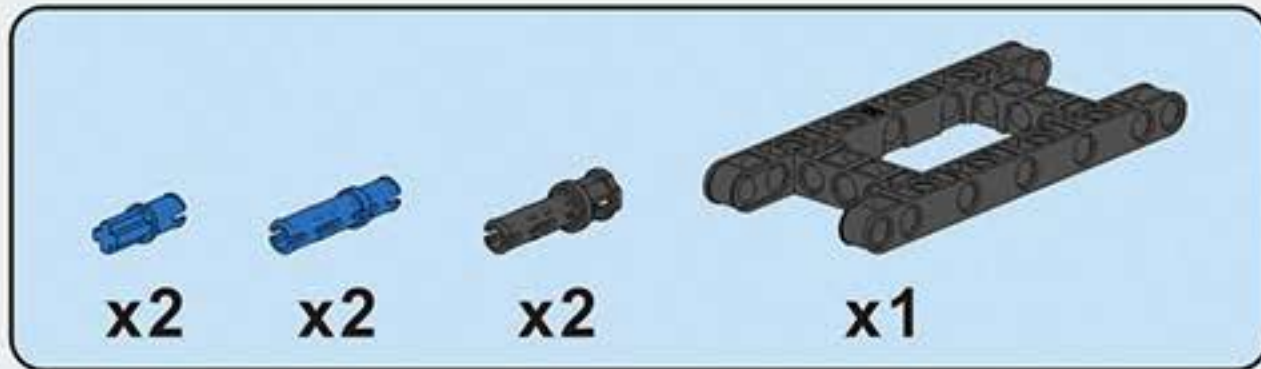
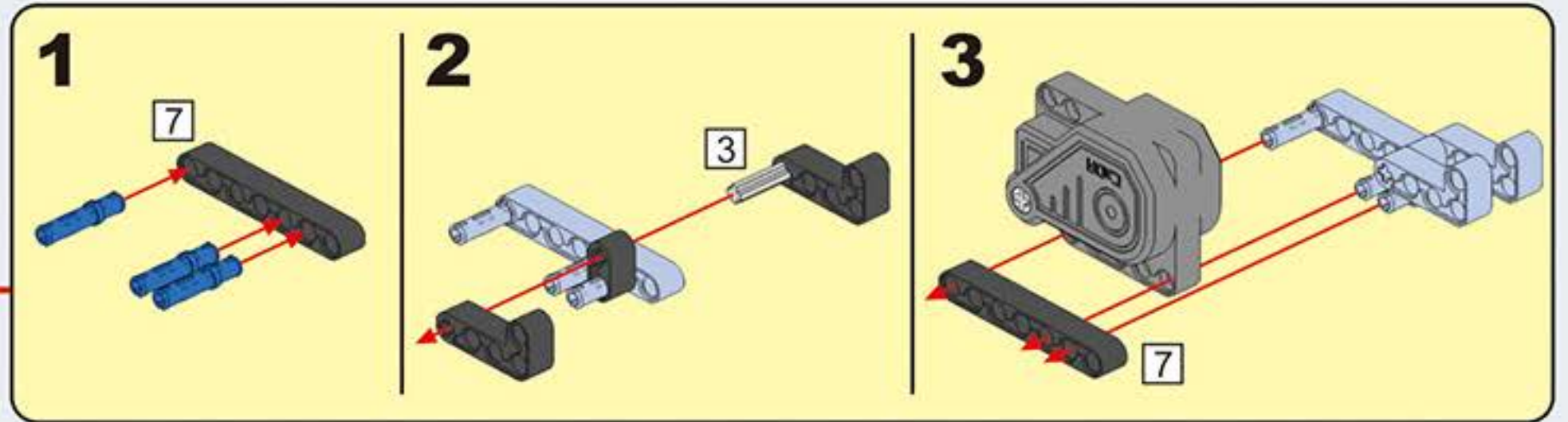




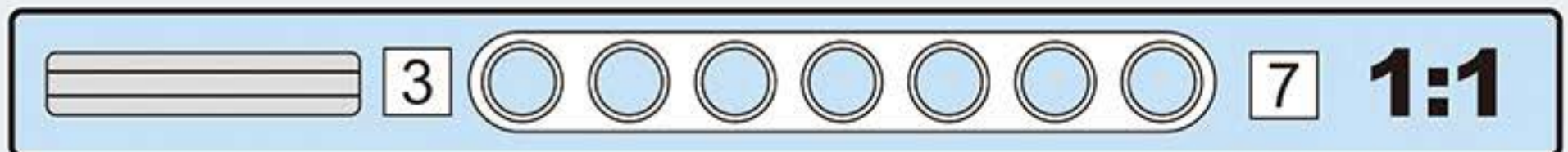
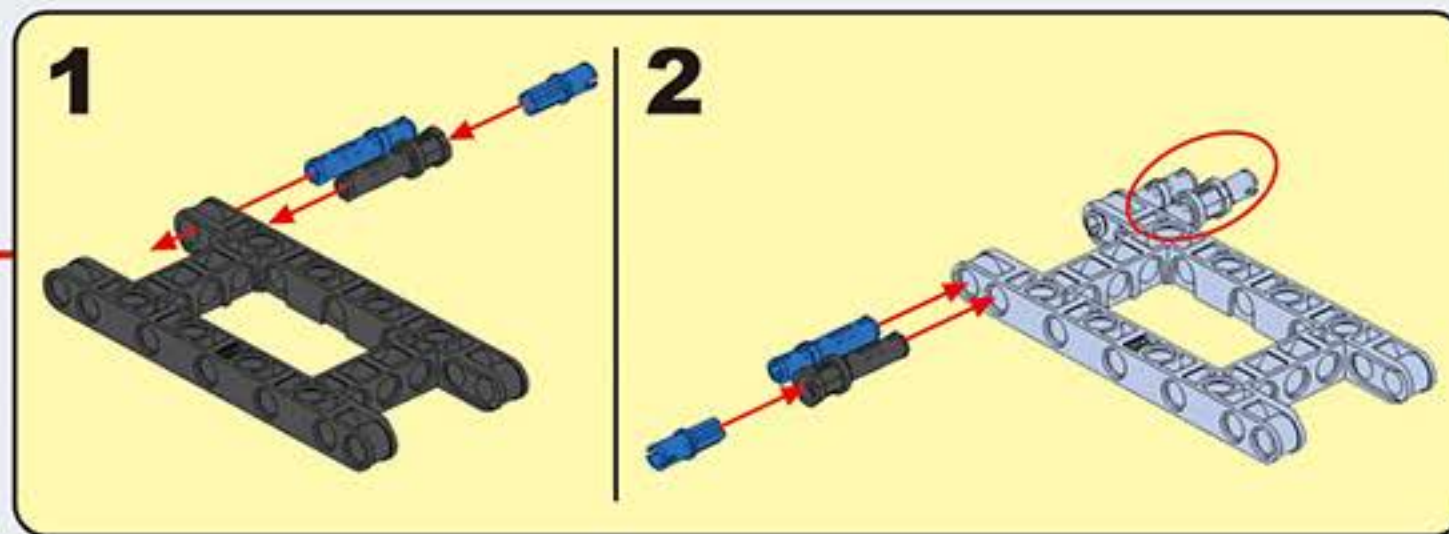
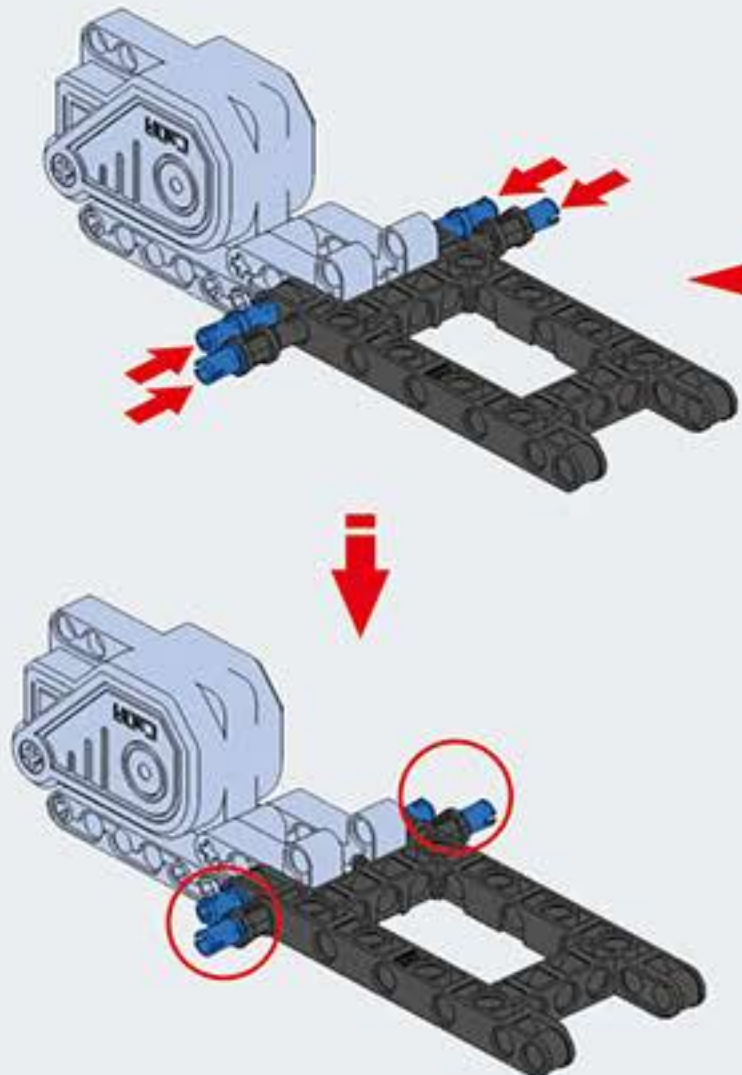
A

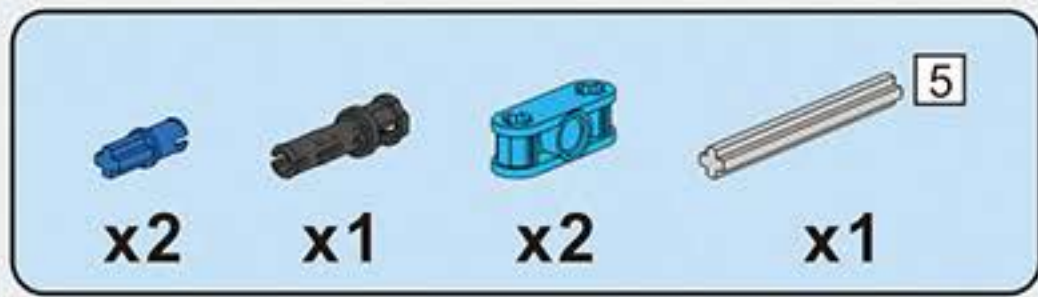


A1

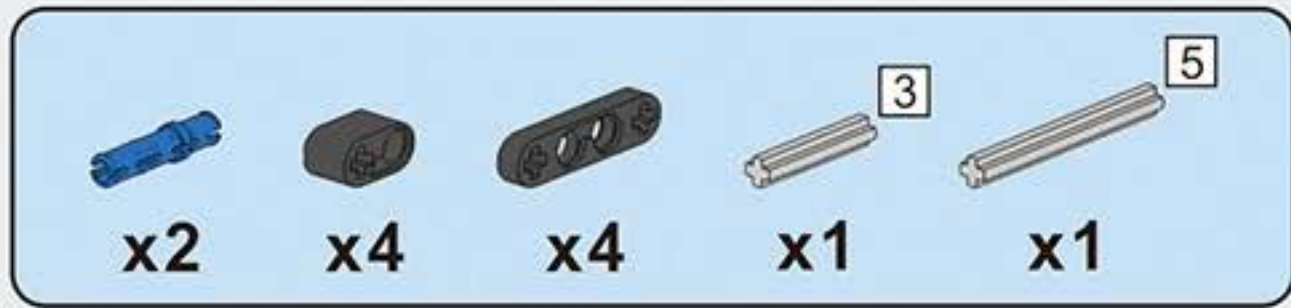
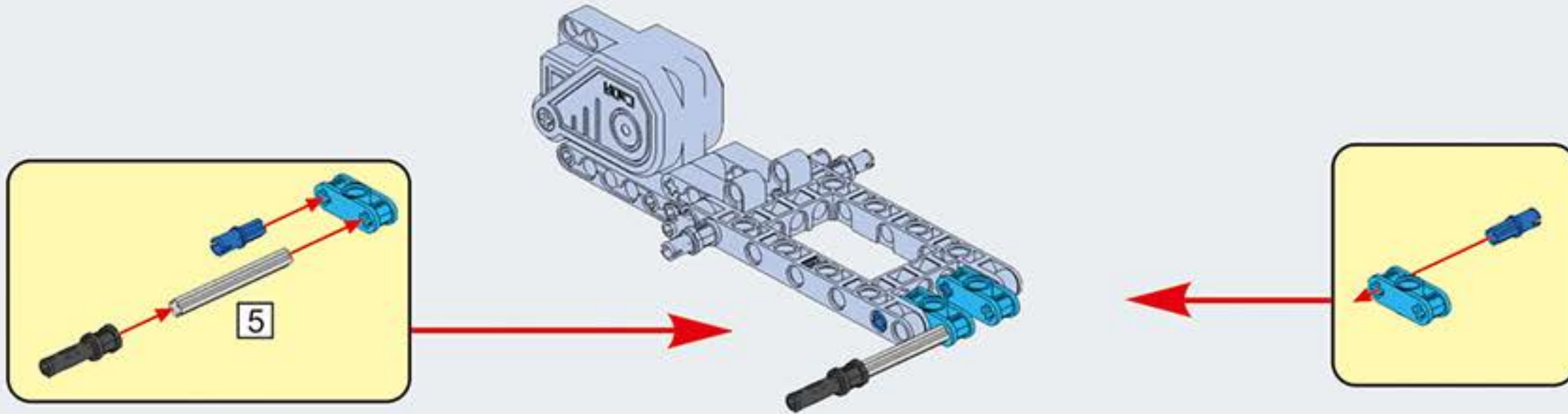


A2

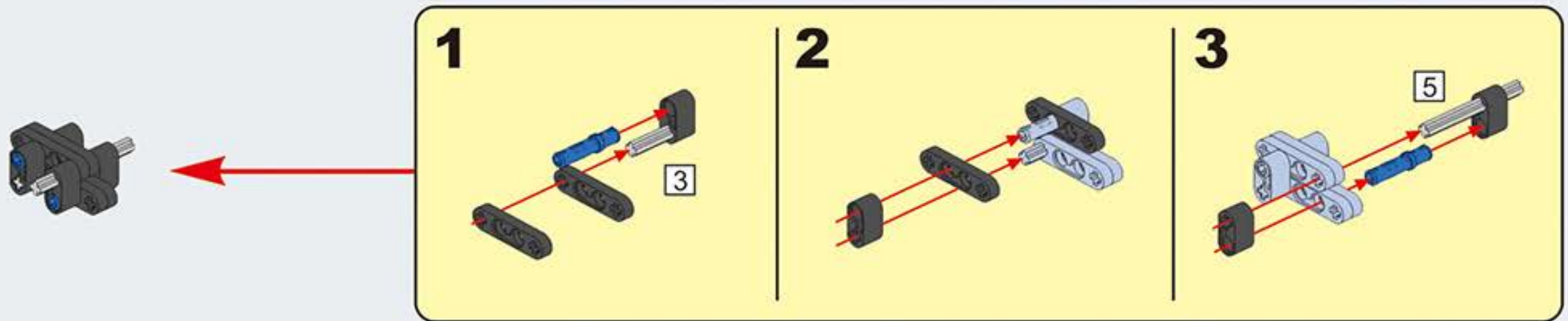


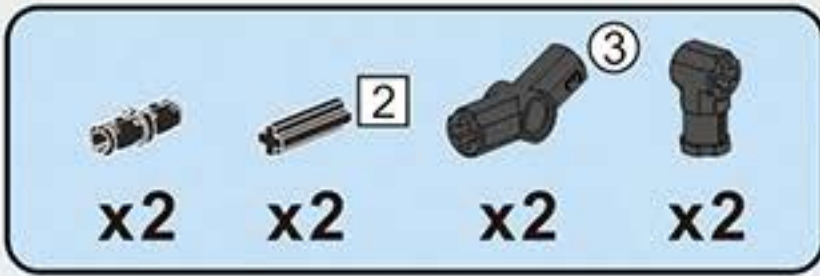


A3

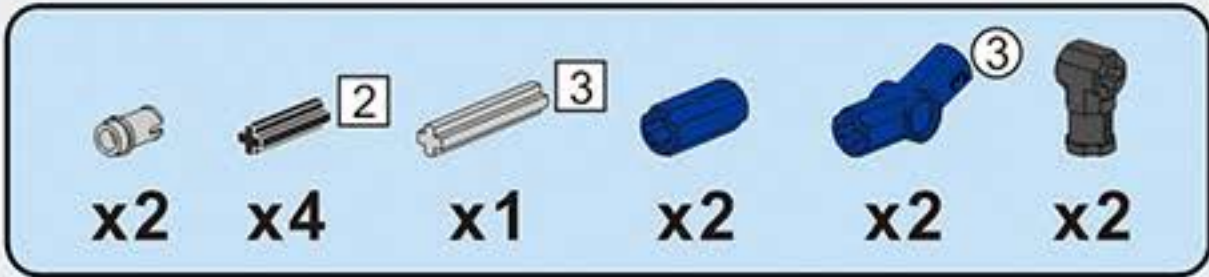
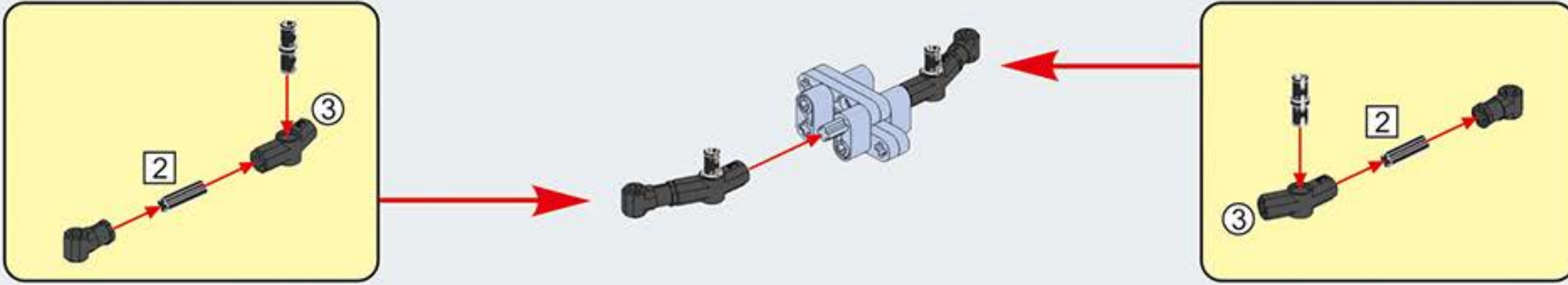


A4

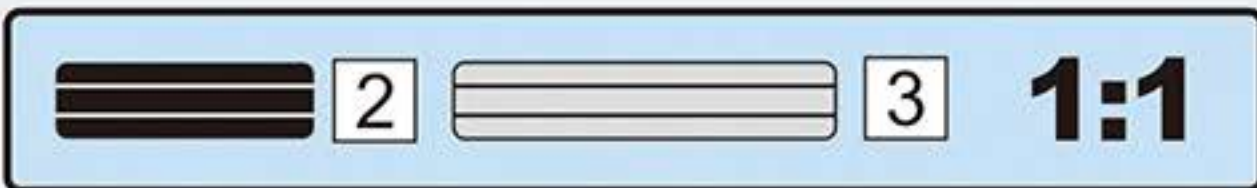
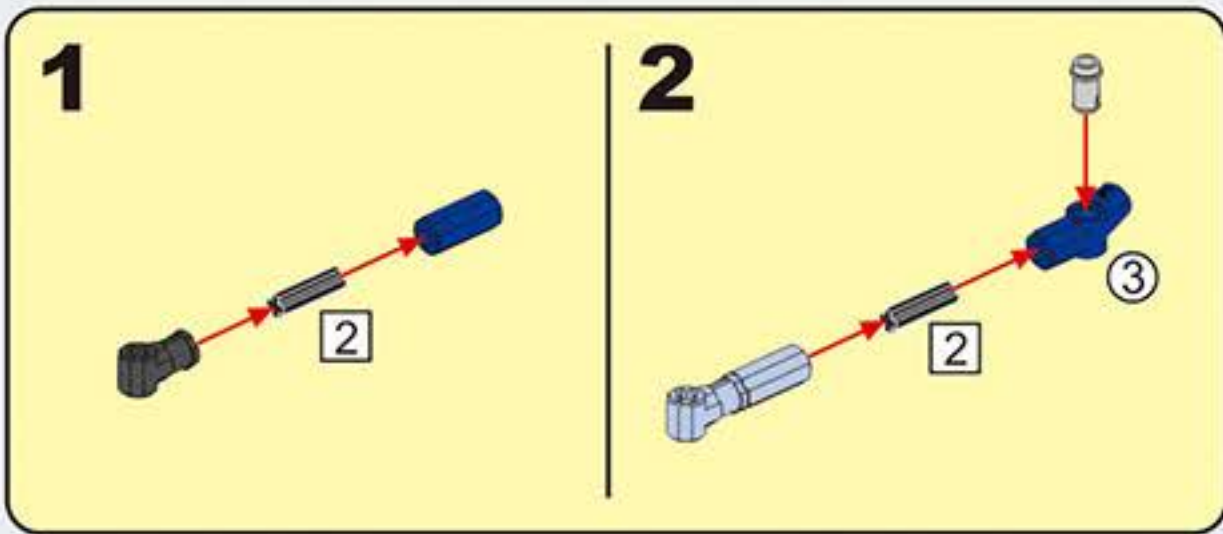
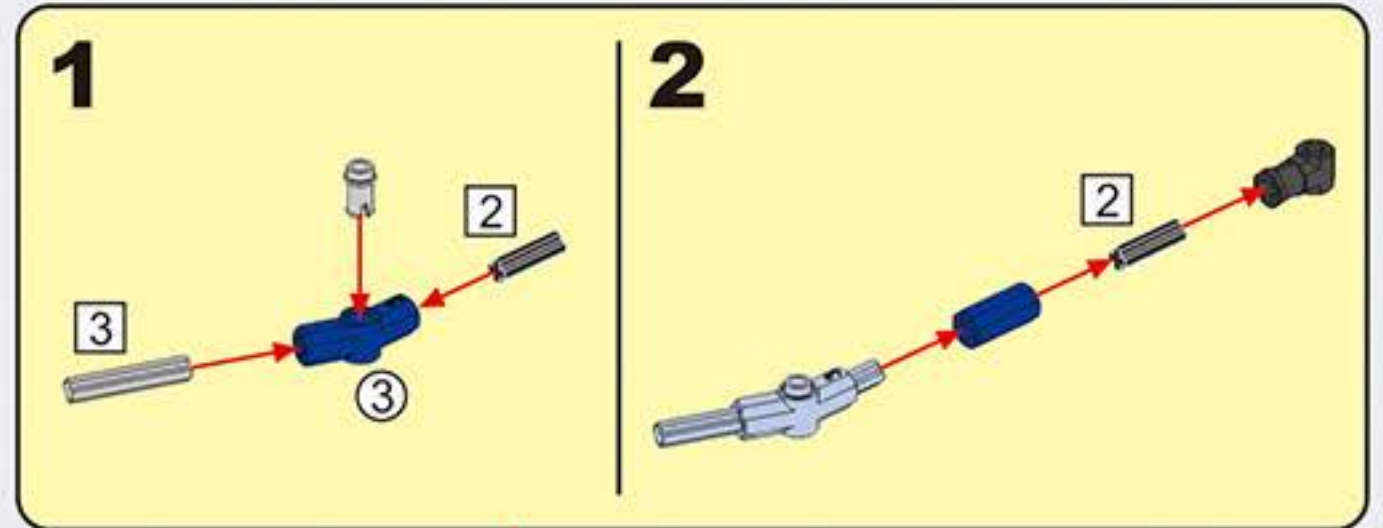




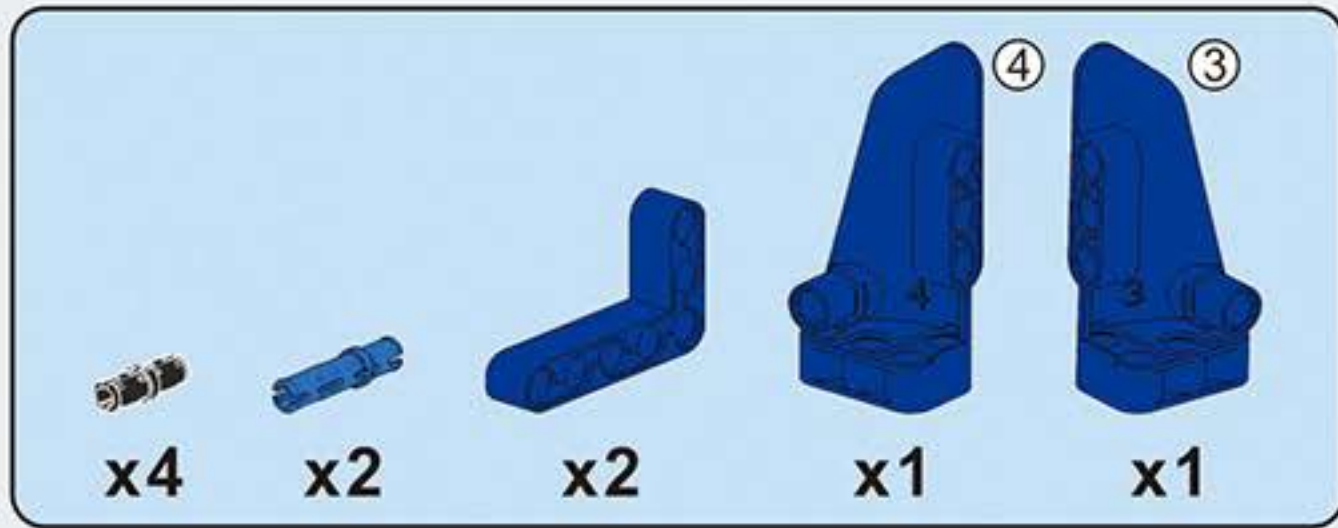
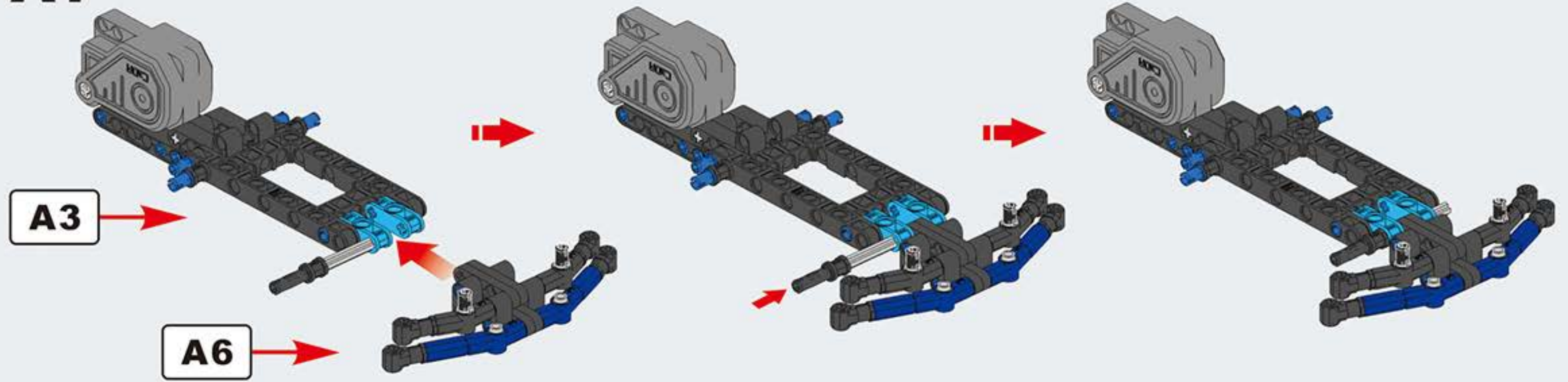
A5



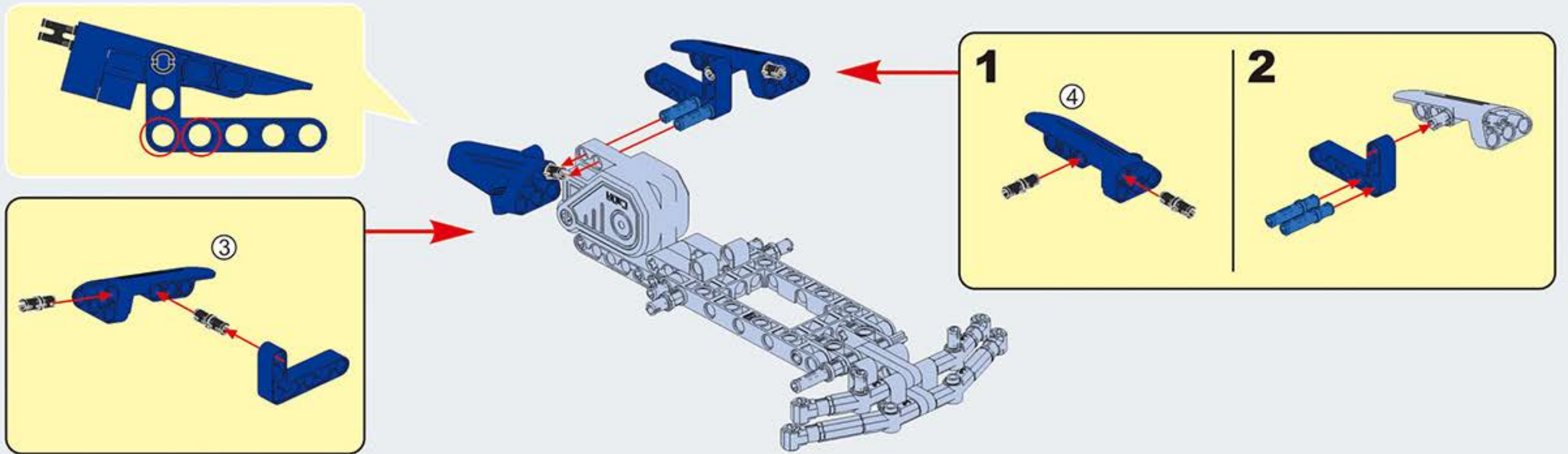
A6

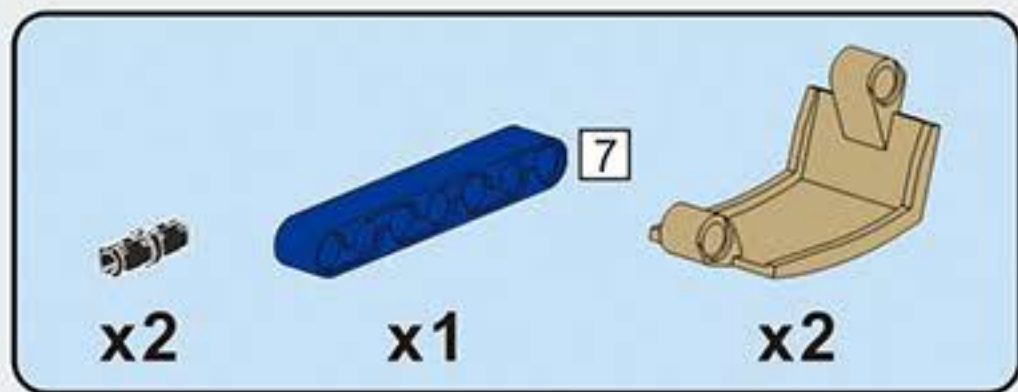


A7

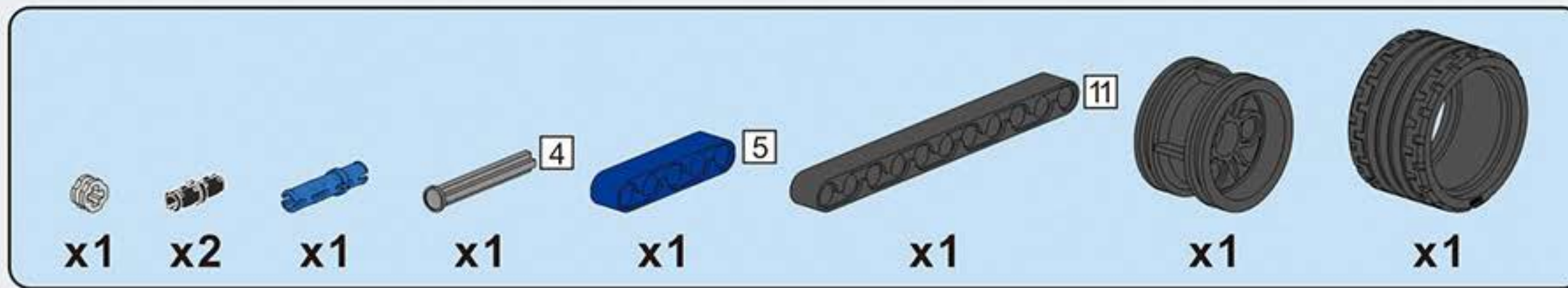
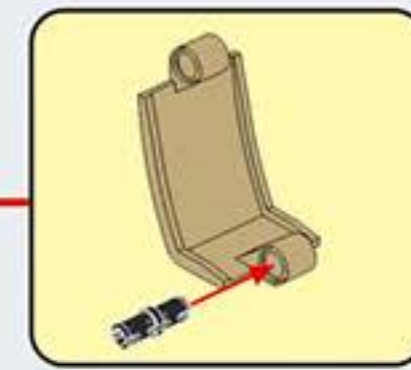
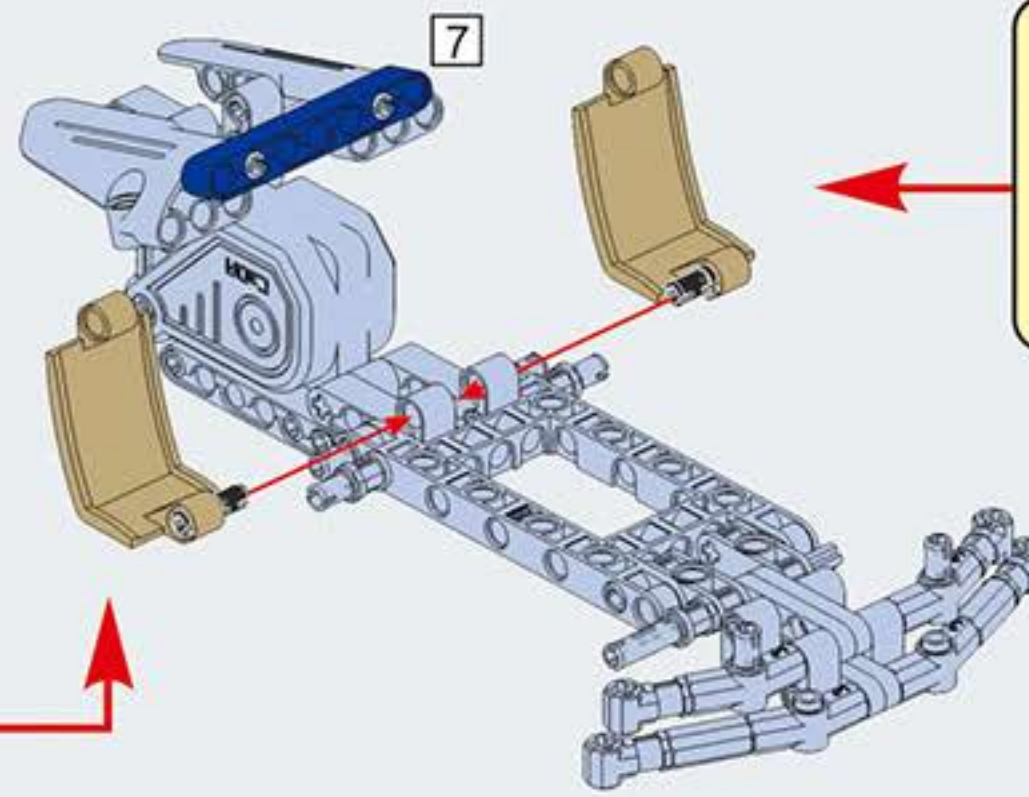
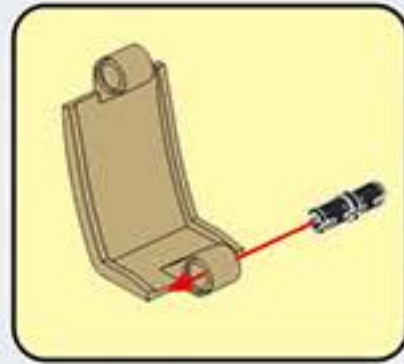


A8

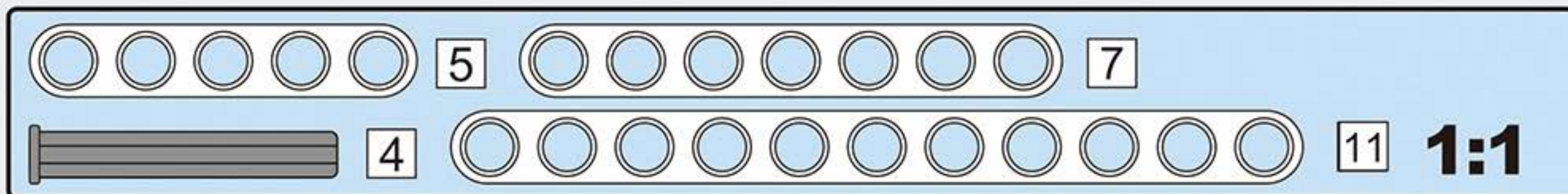
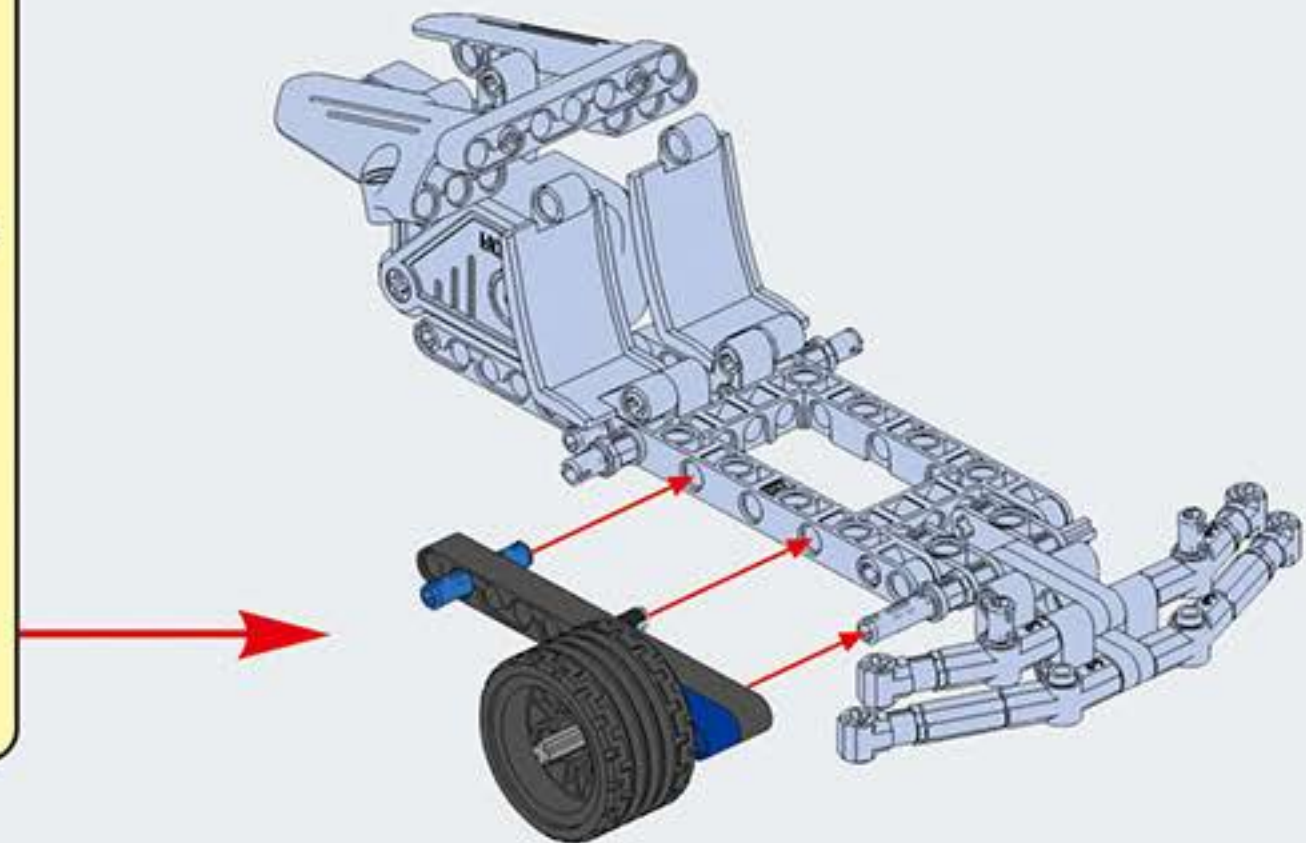
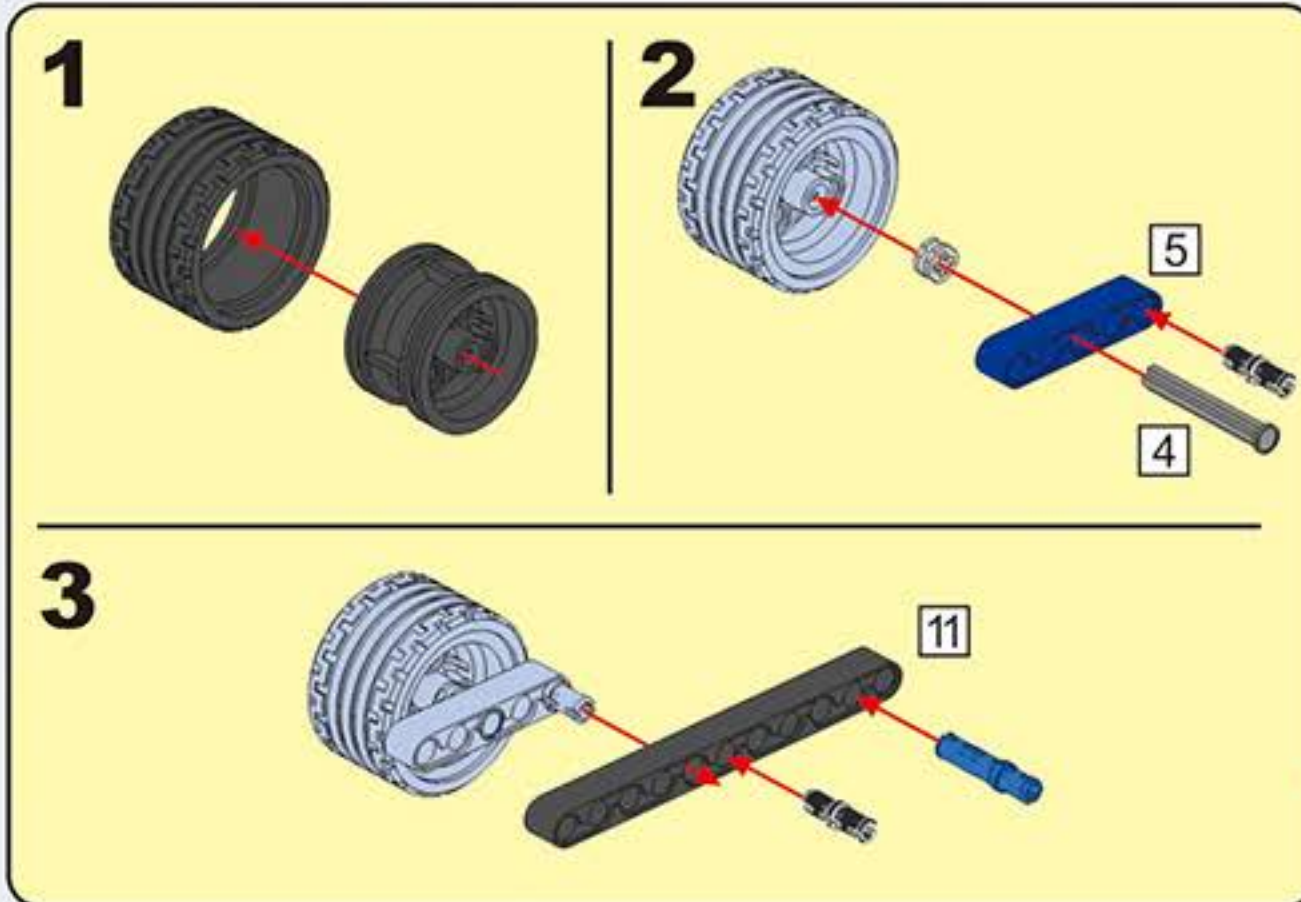


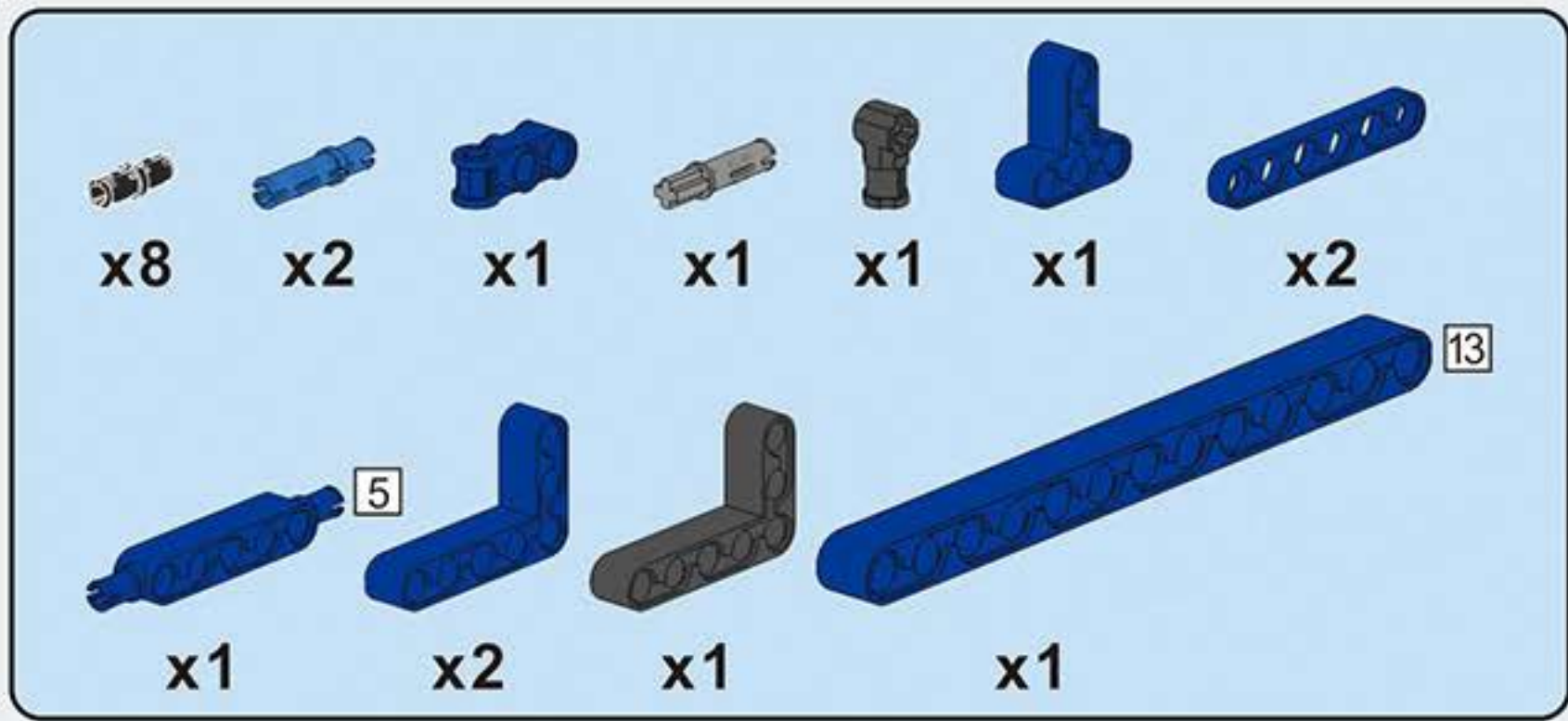


A9

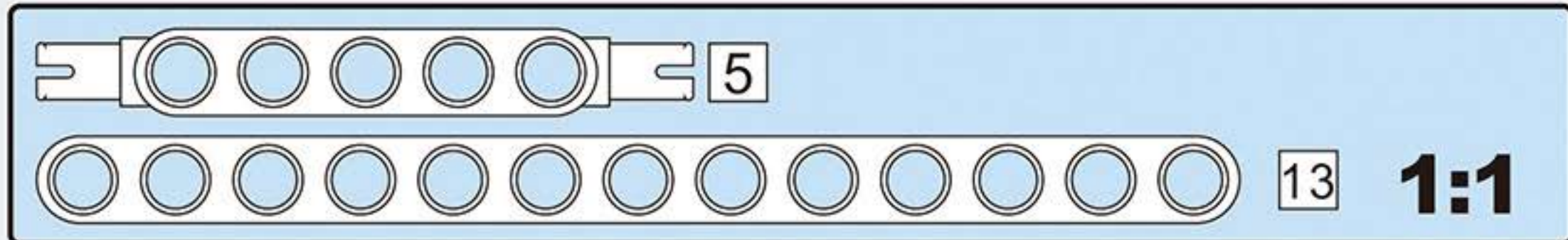
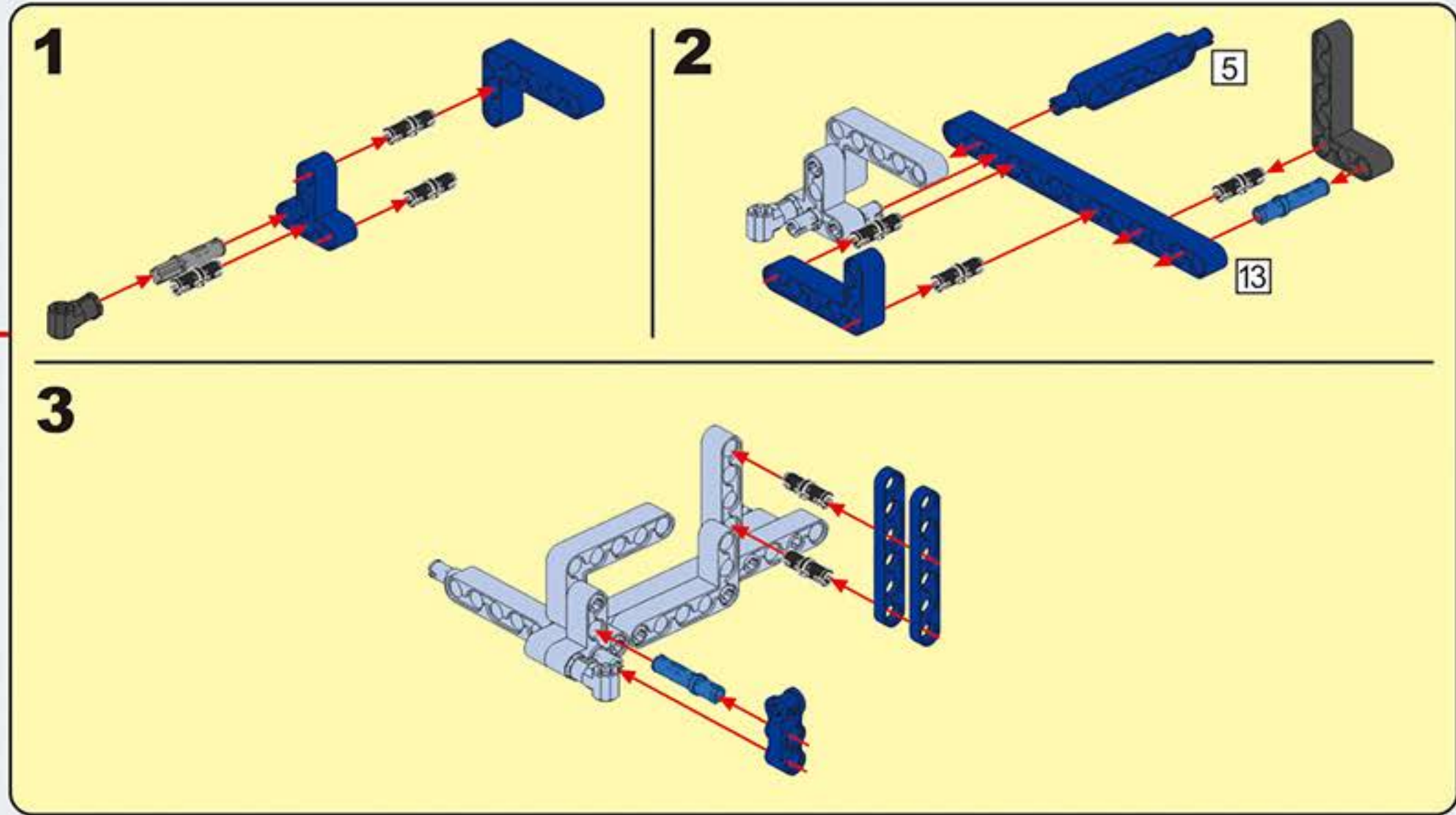
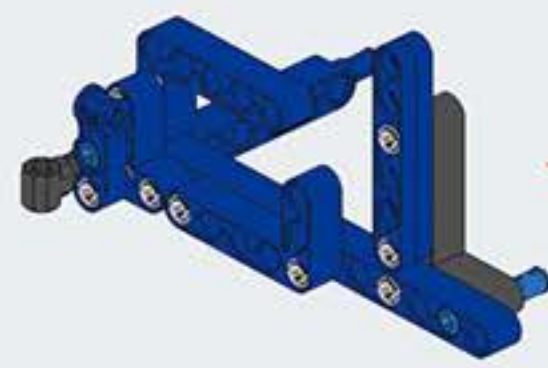


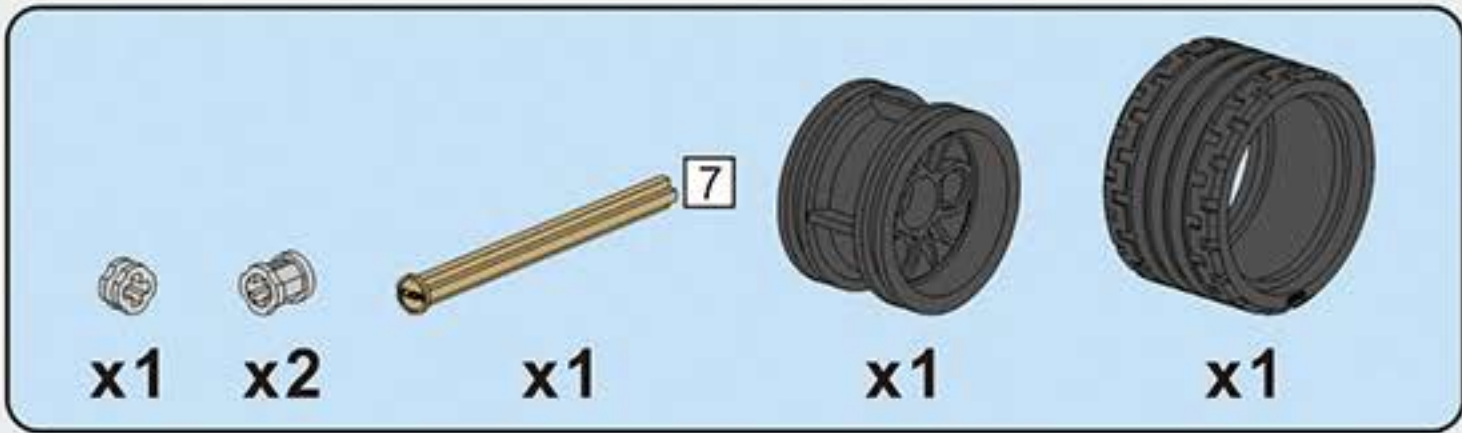
A10



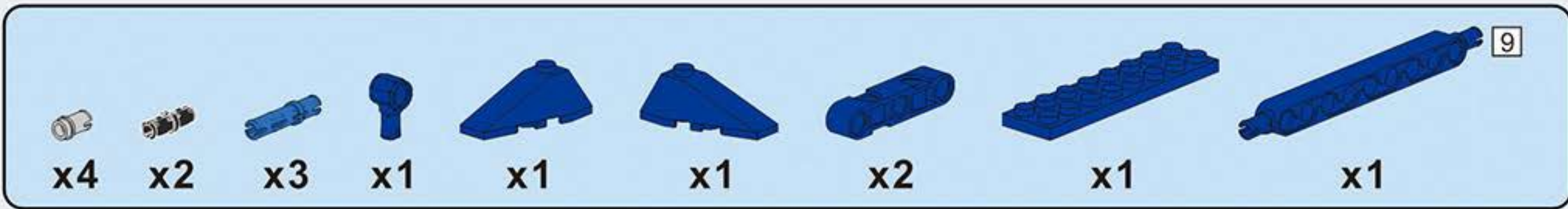
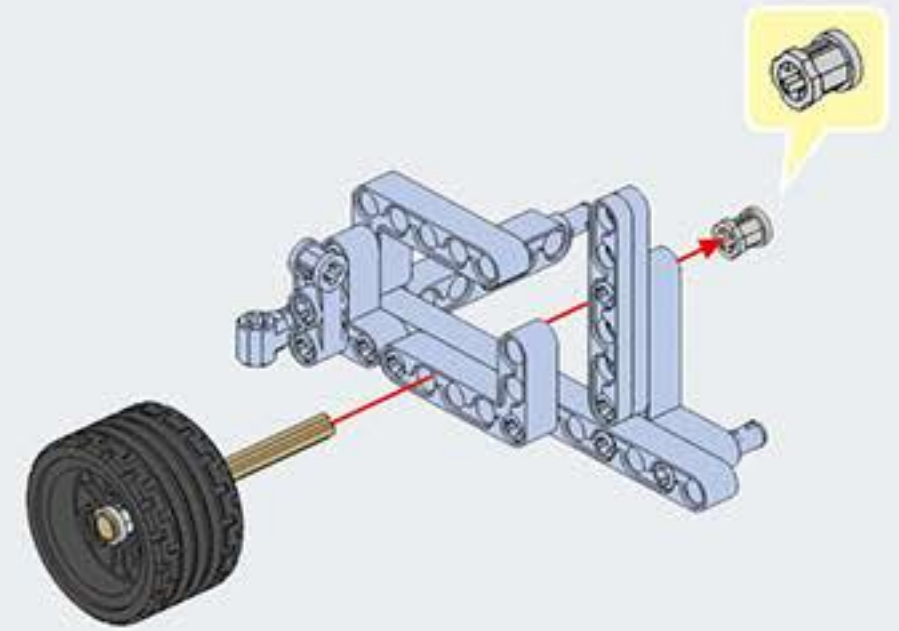
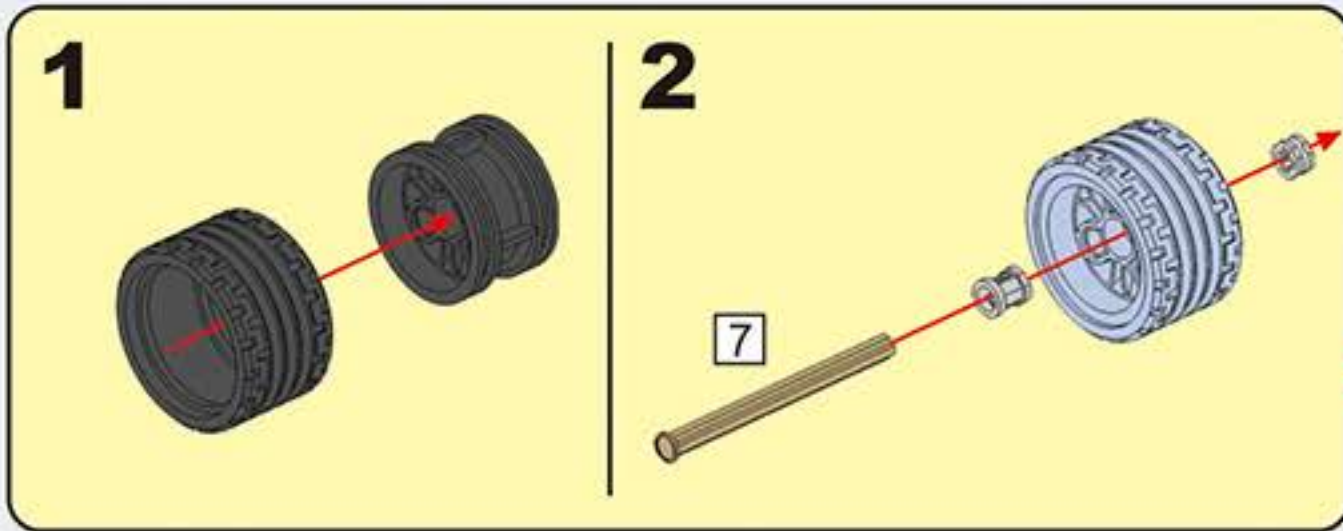


A11

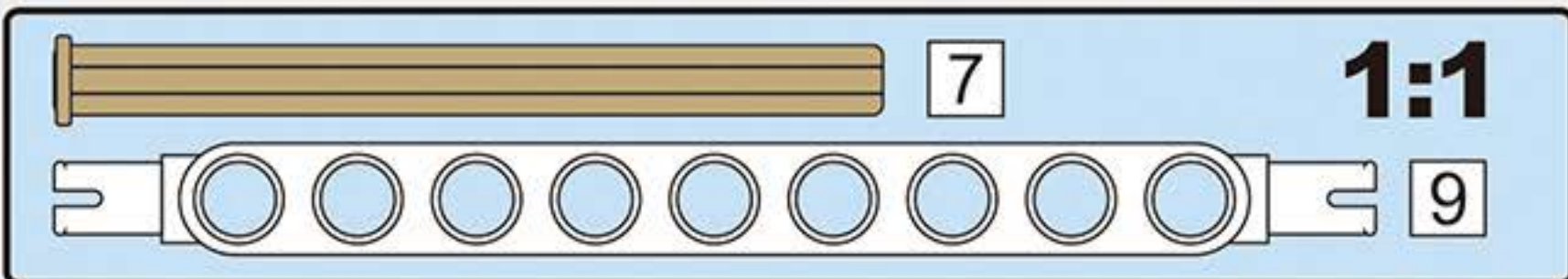
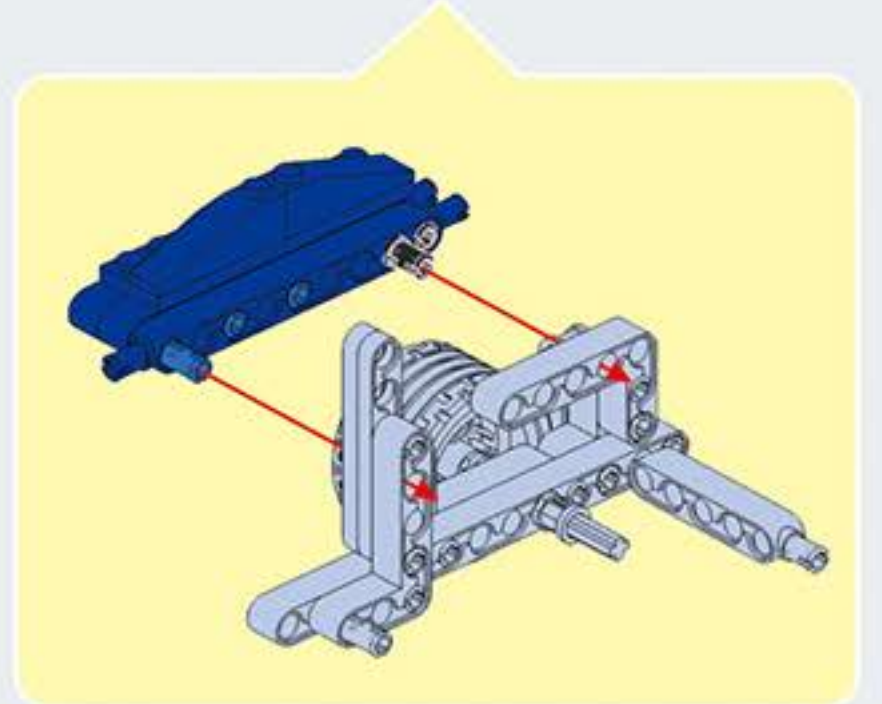
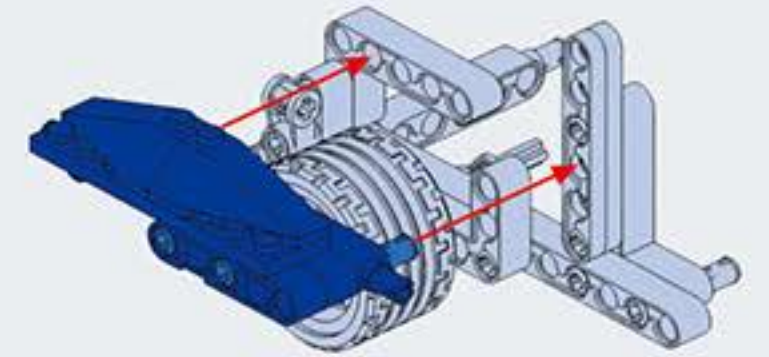
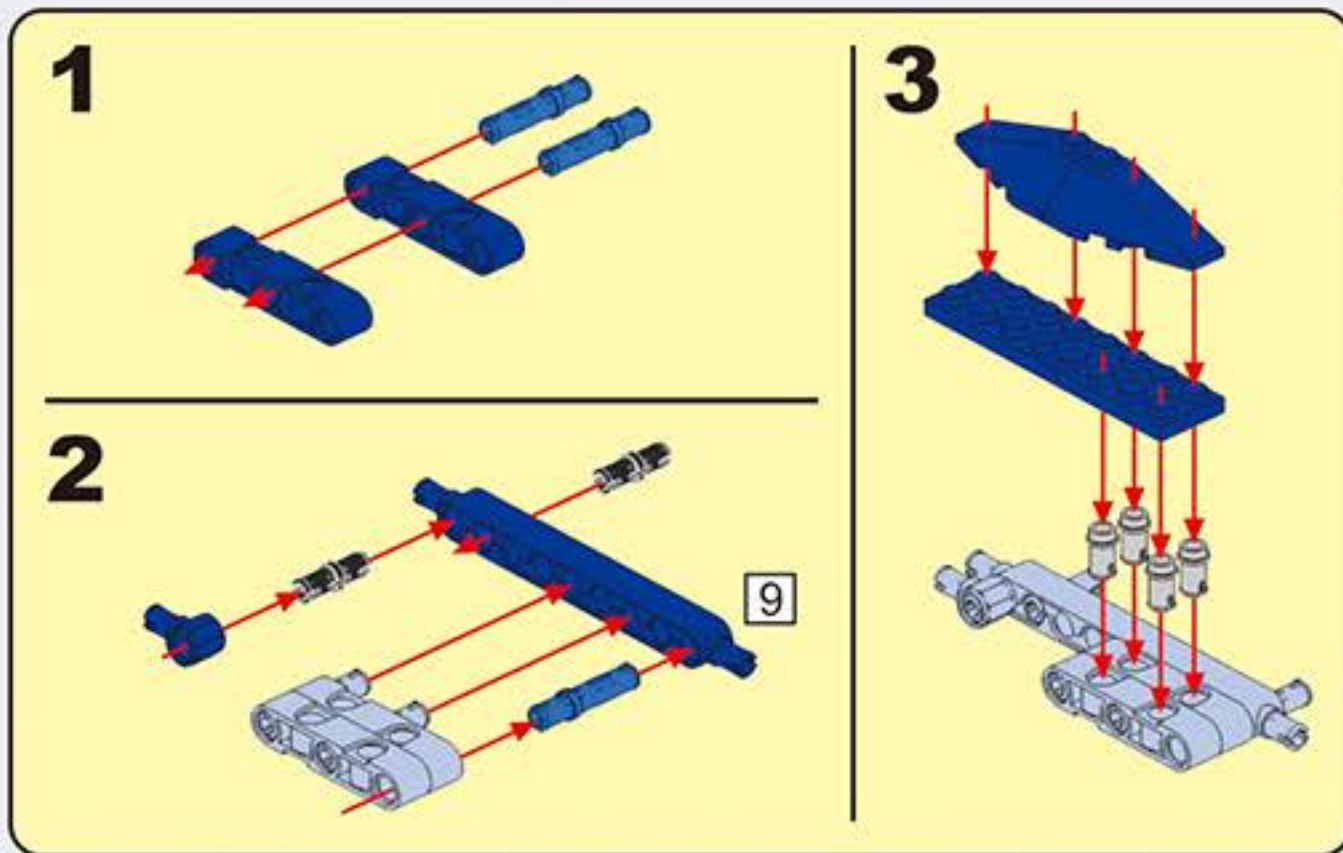




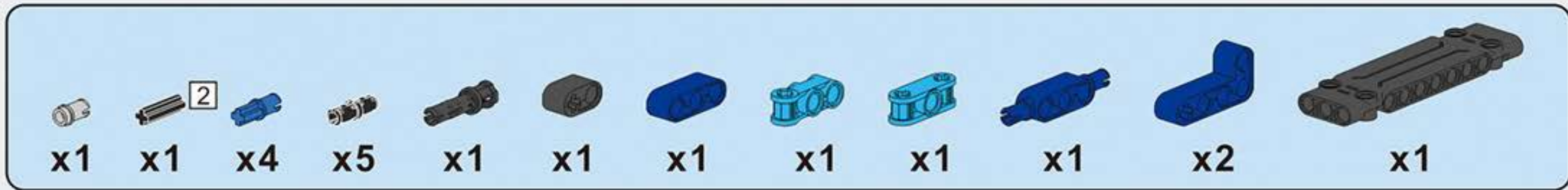
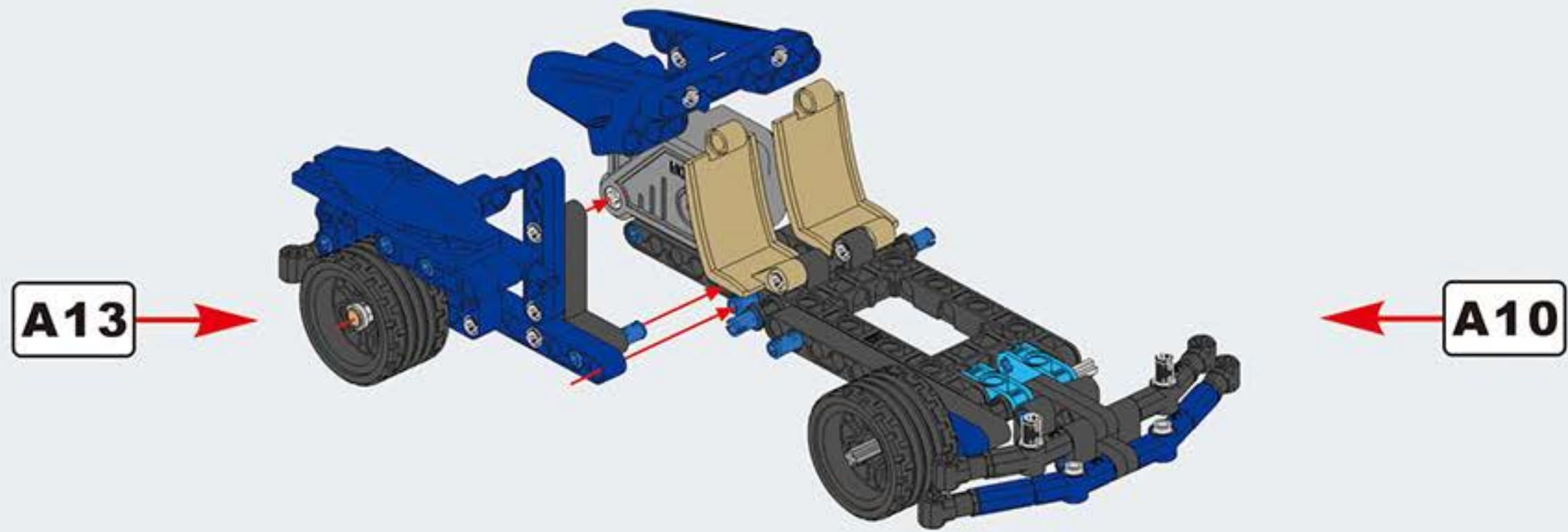
A12



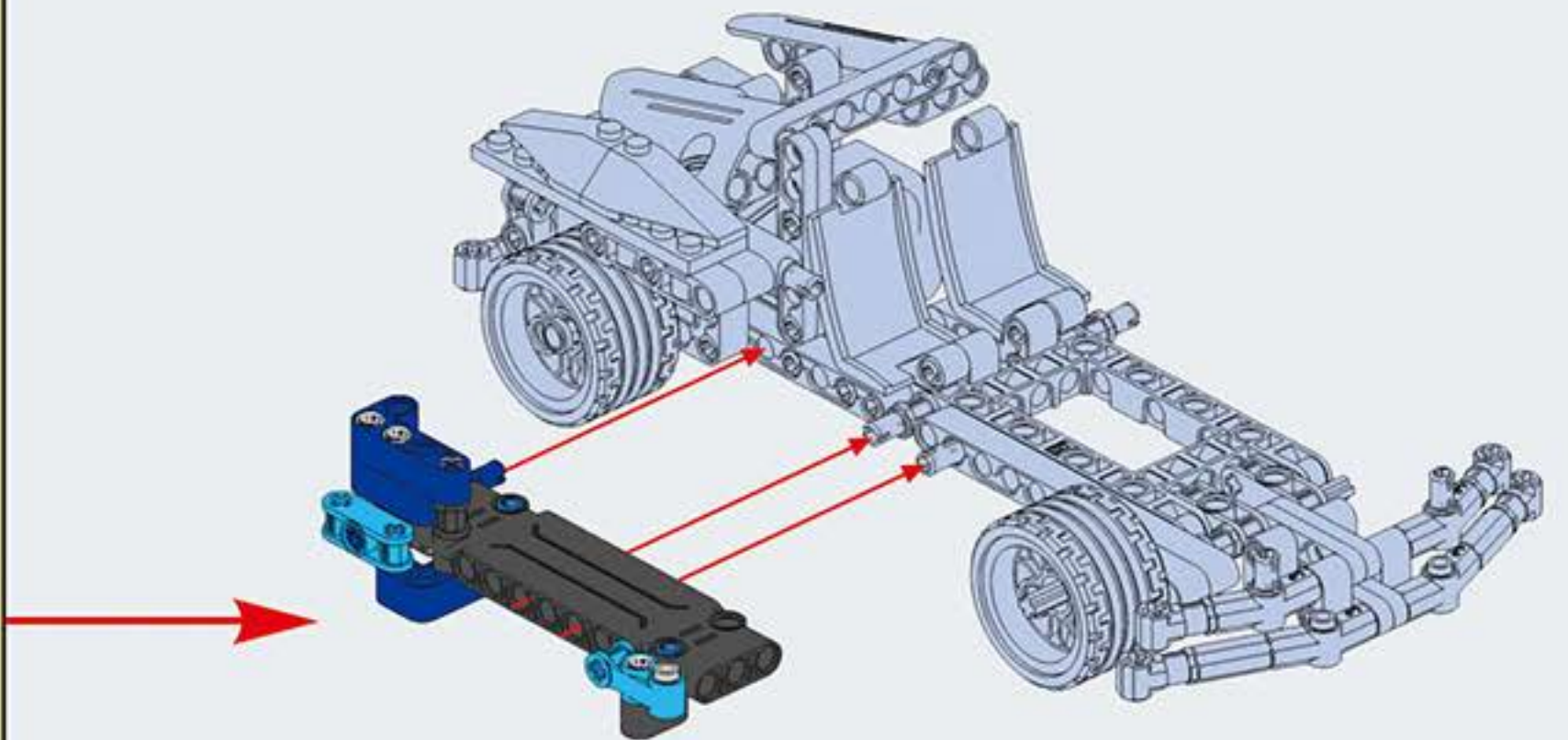
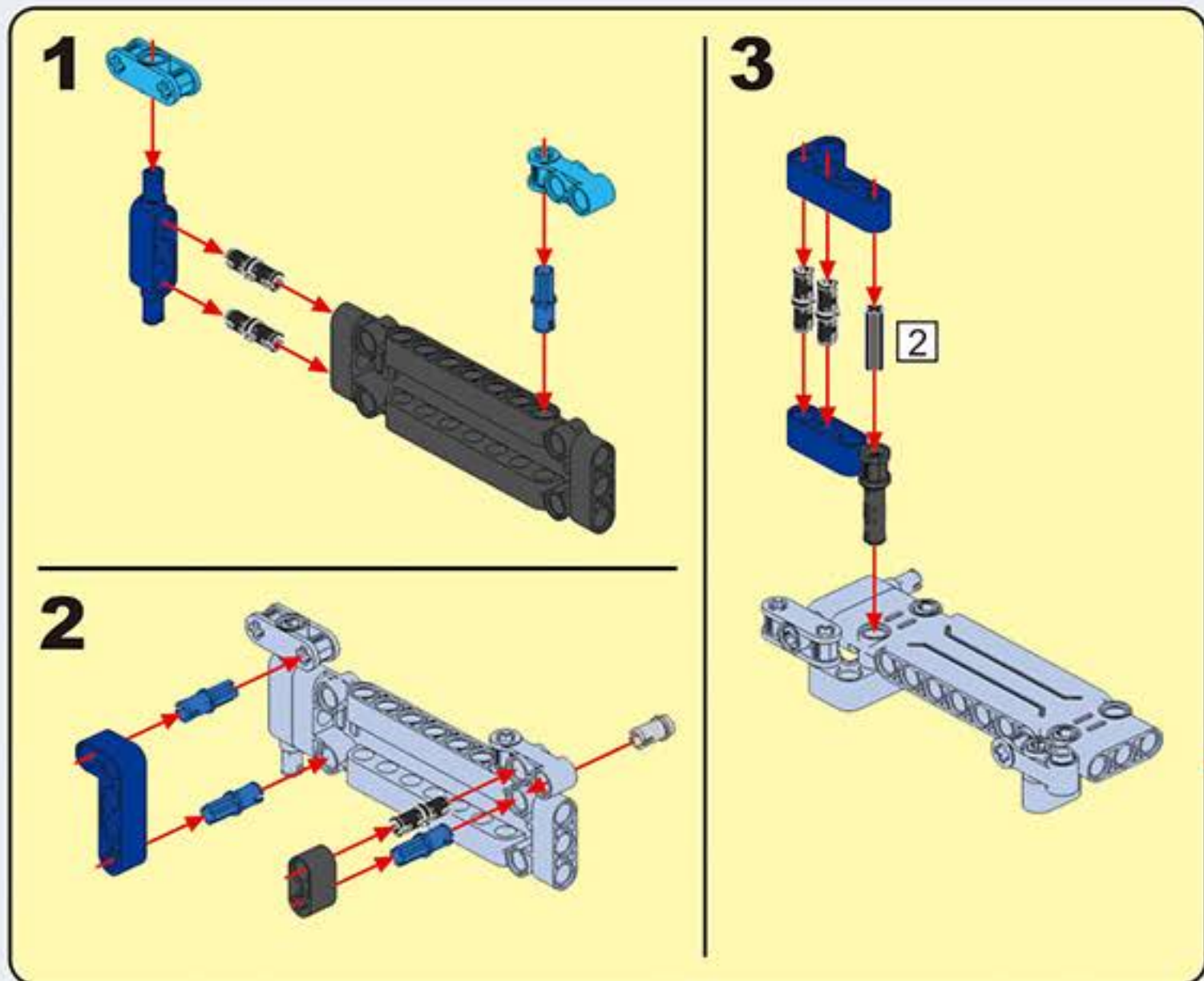
A13

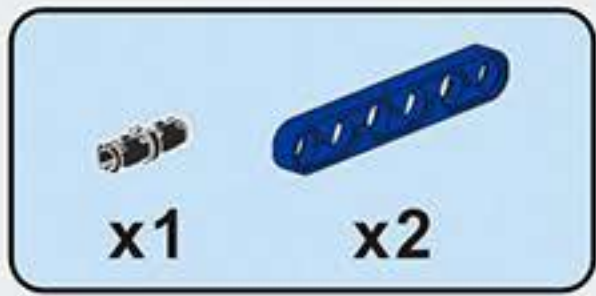


A14

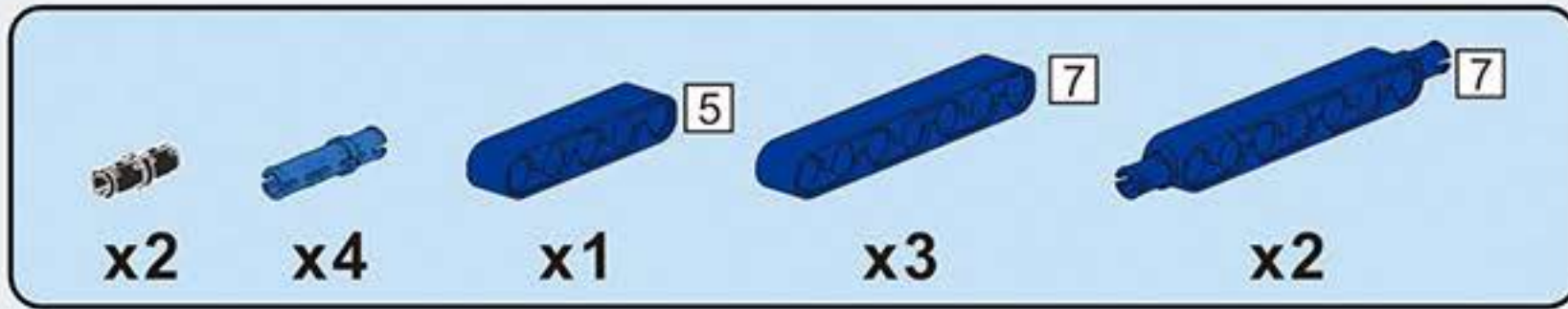
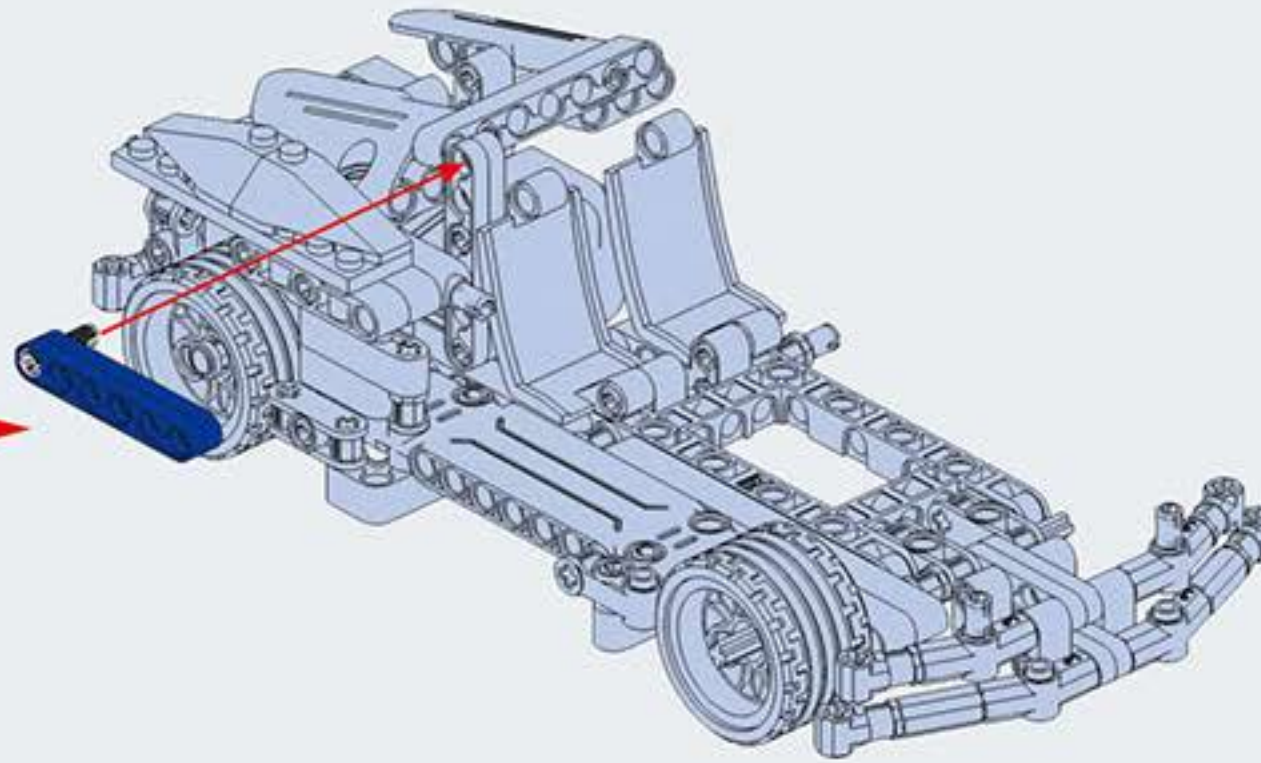
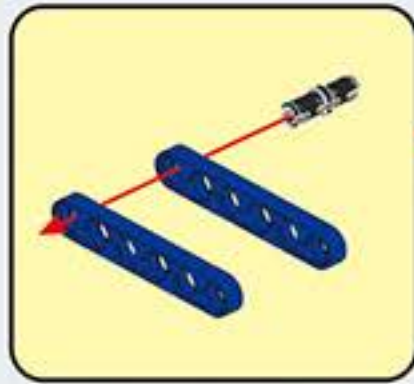


A15

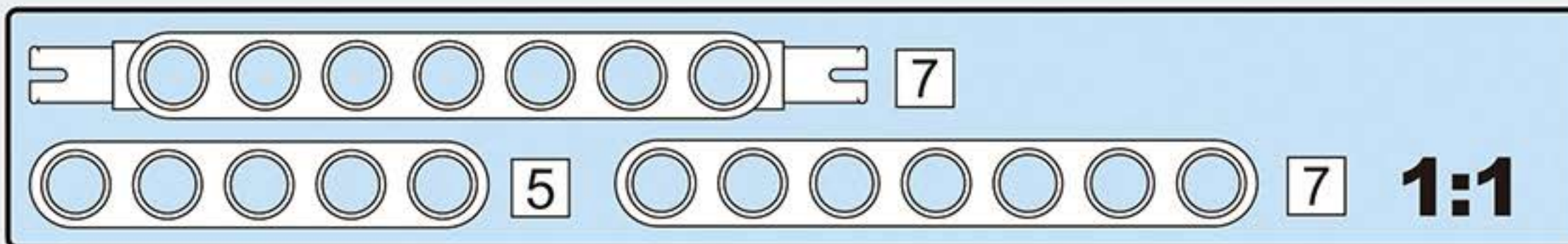
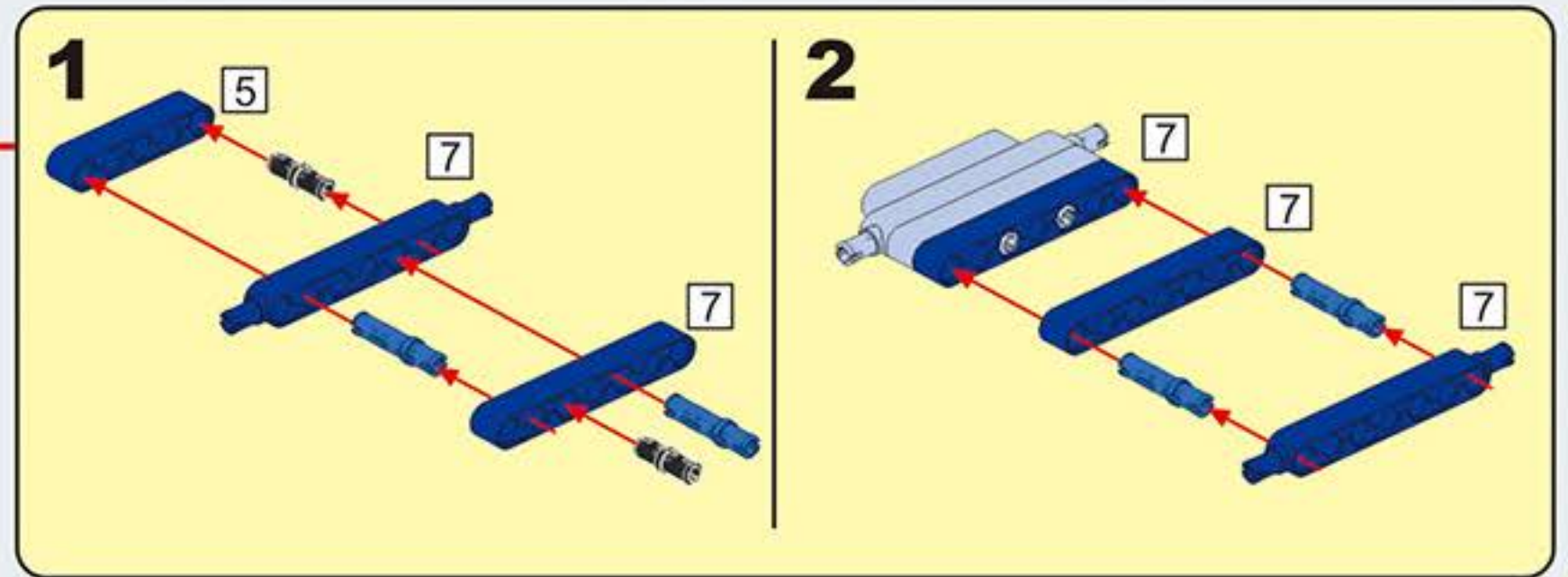
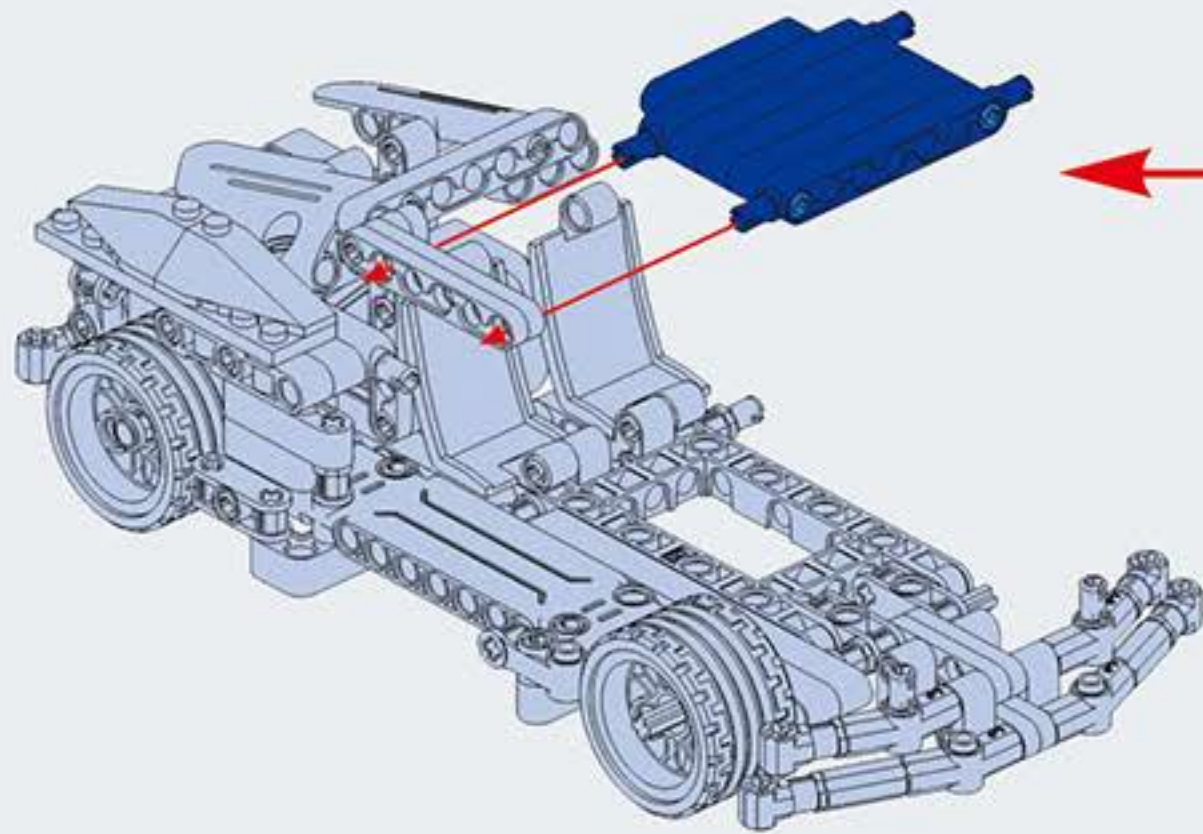


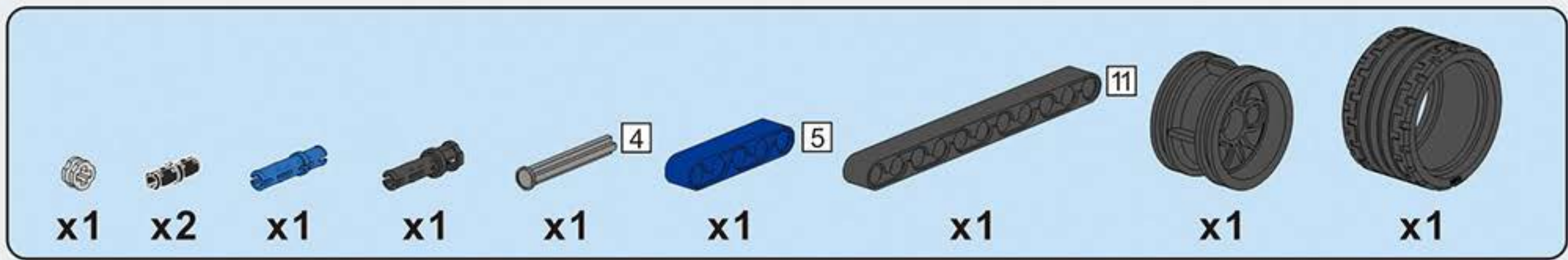


A16

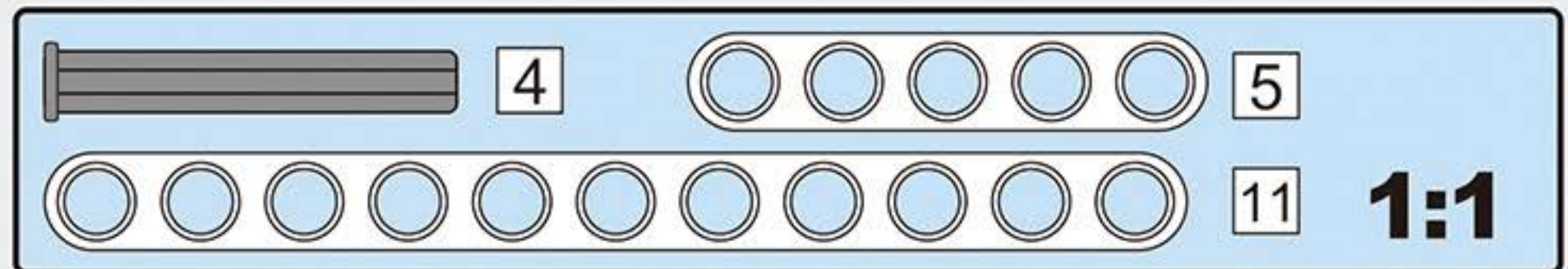
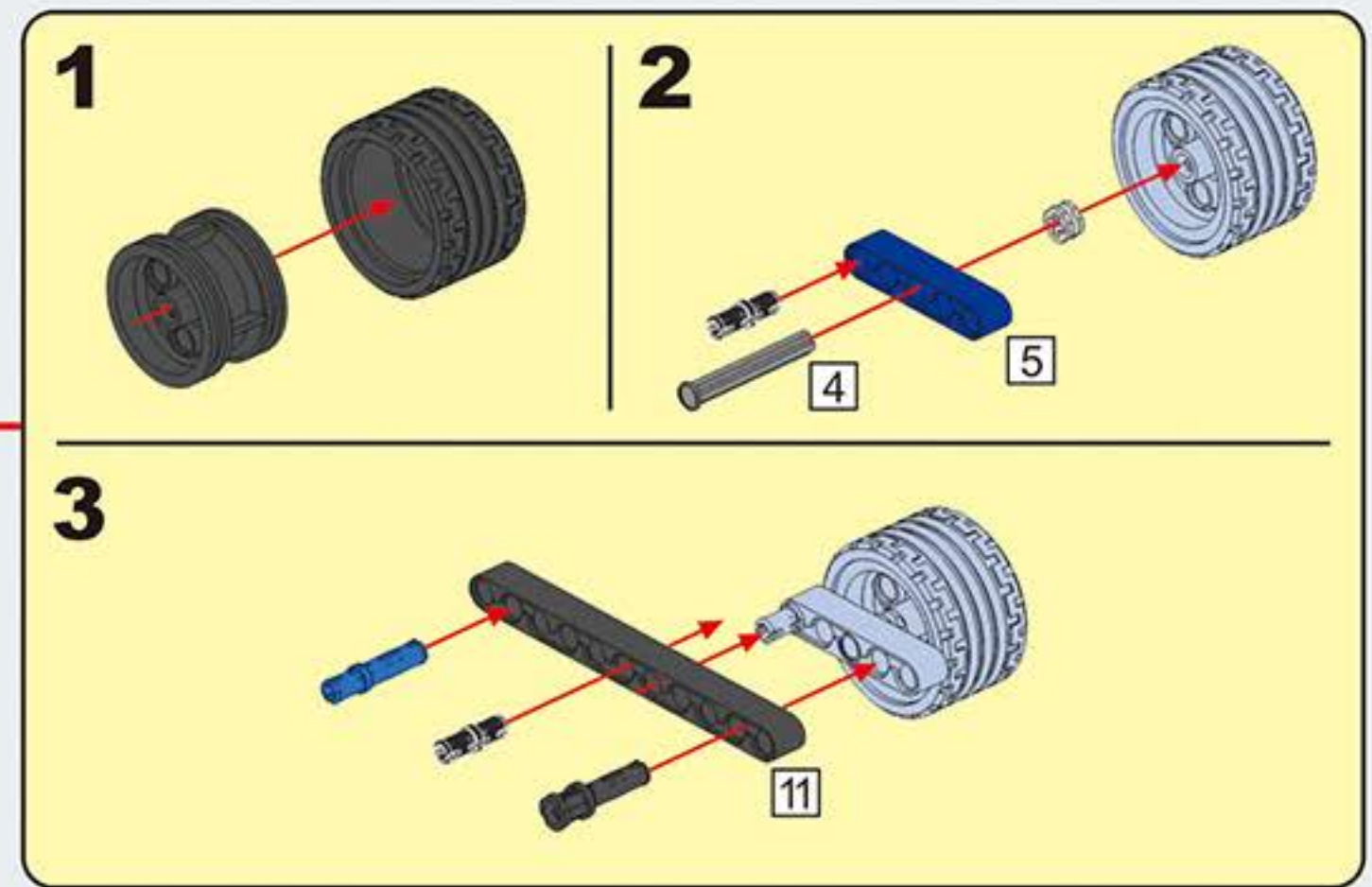
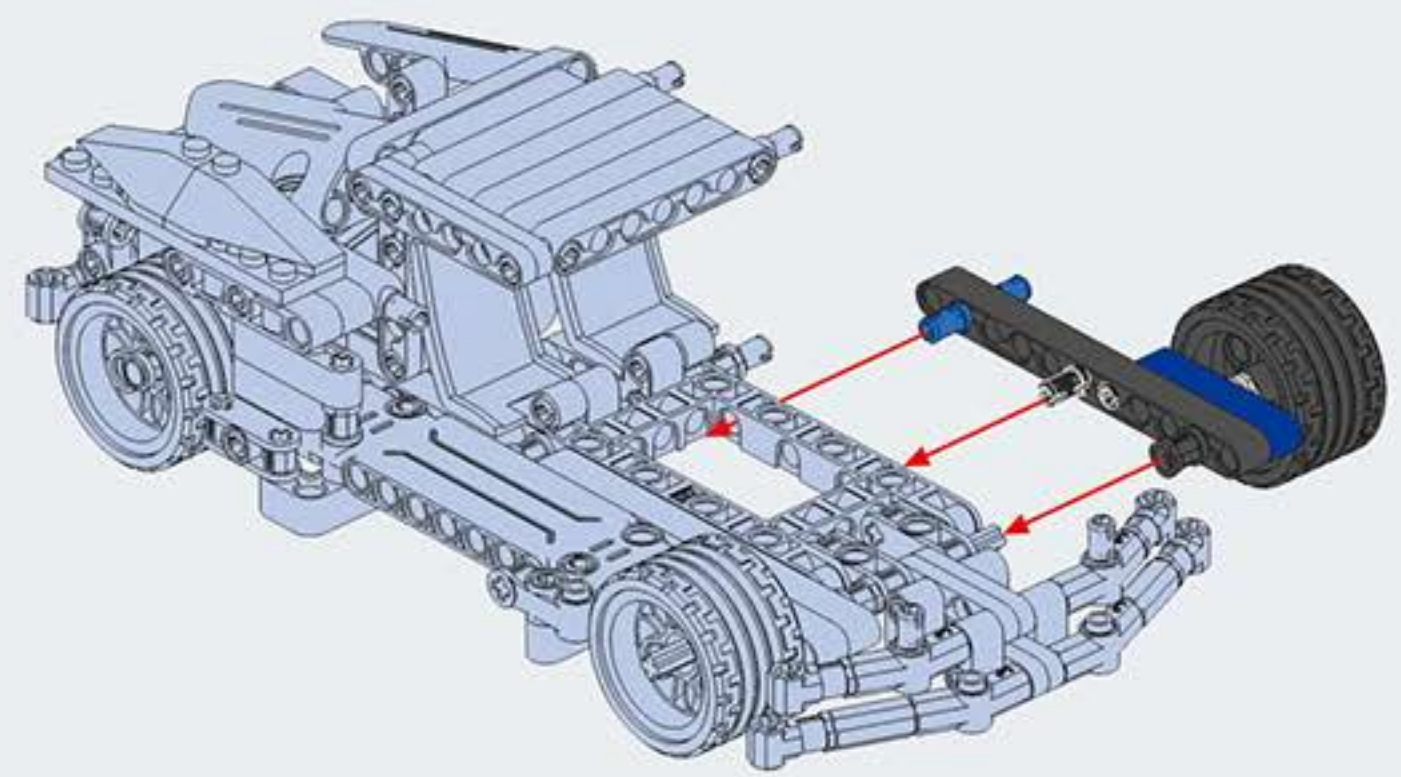


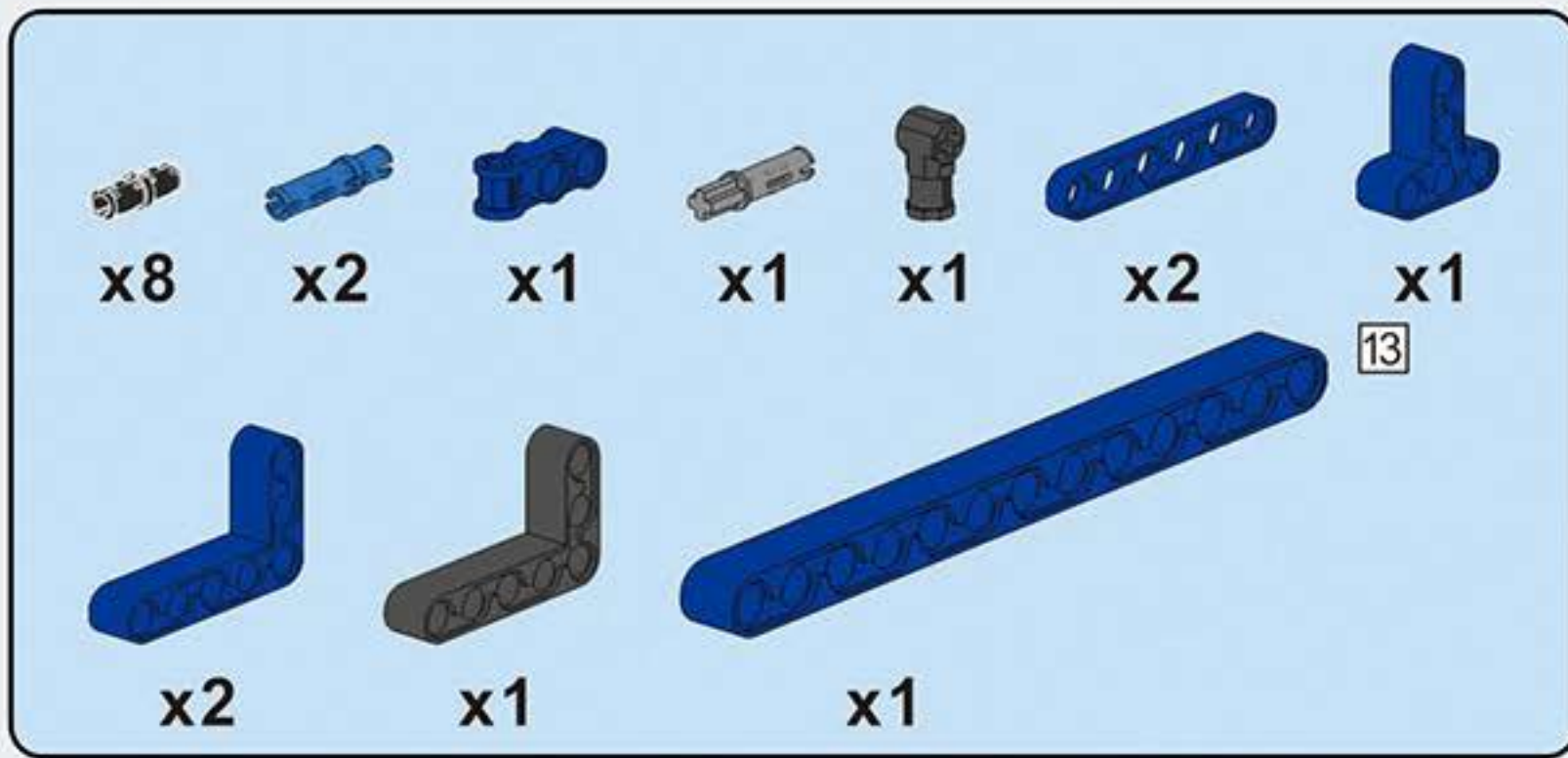
A17



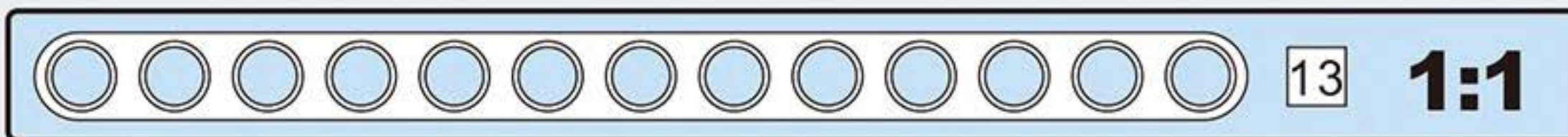
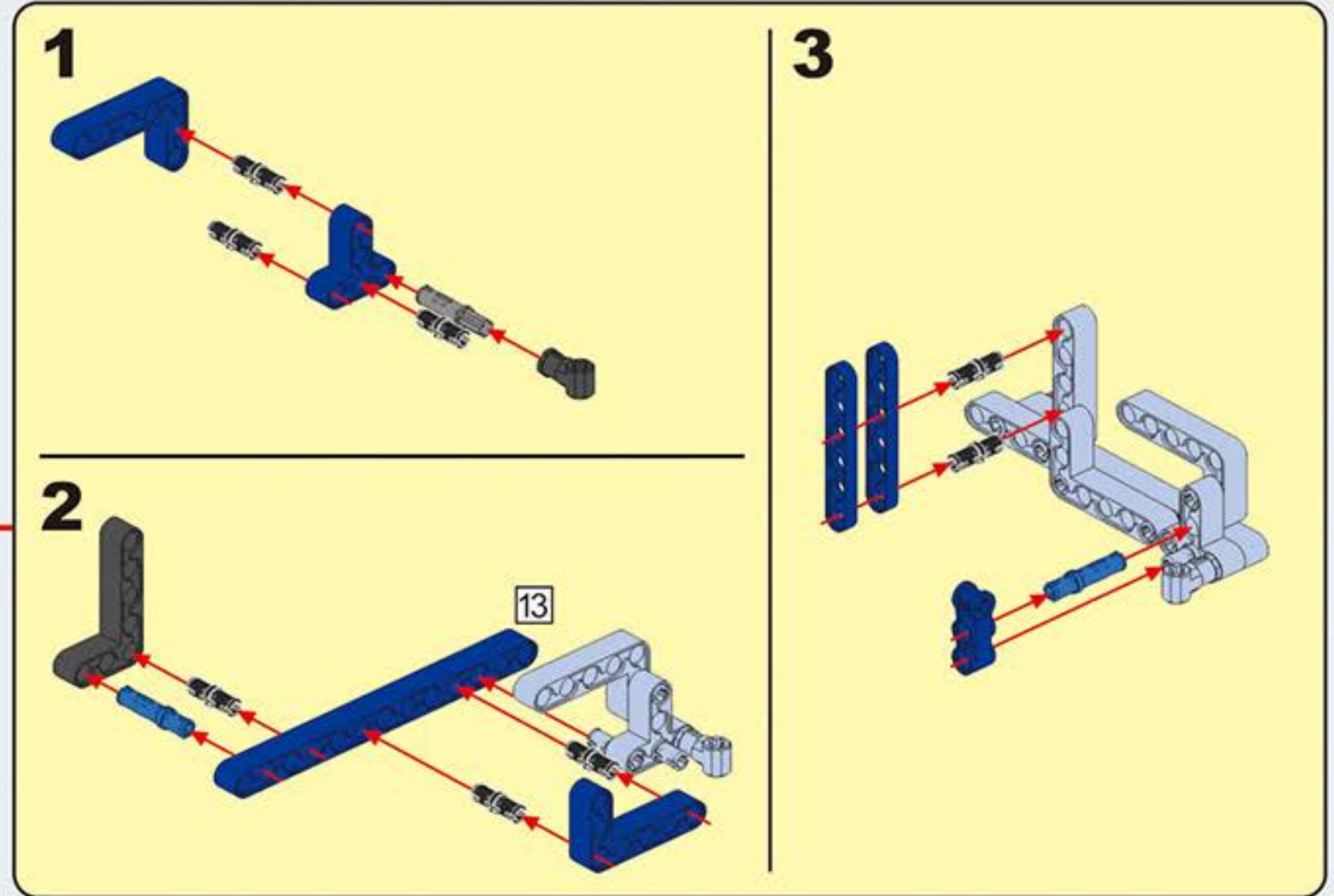
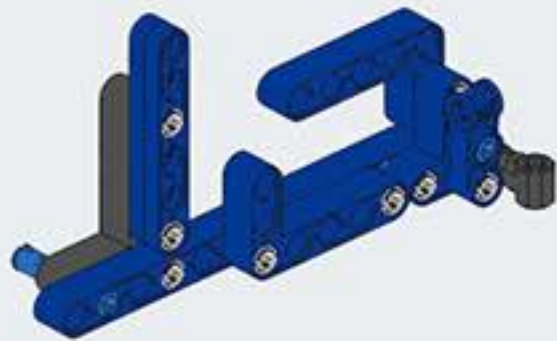


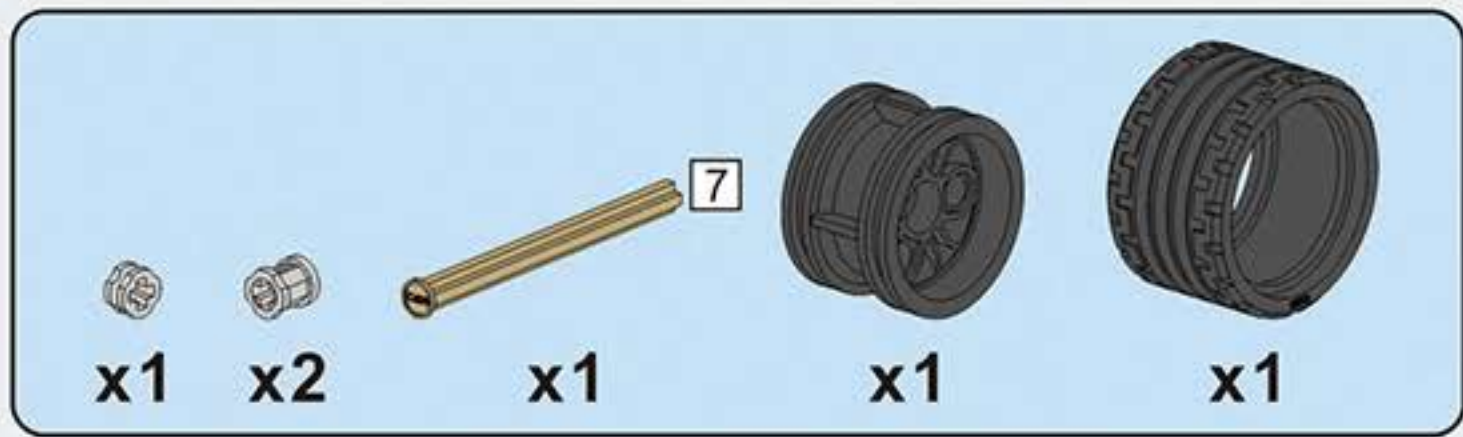
A18



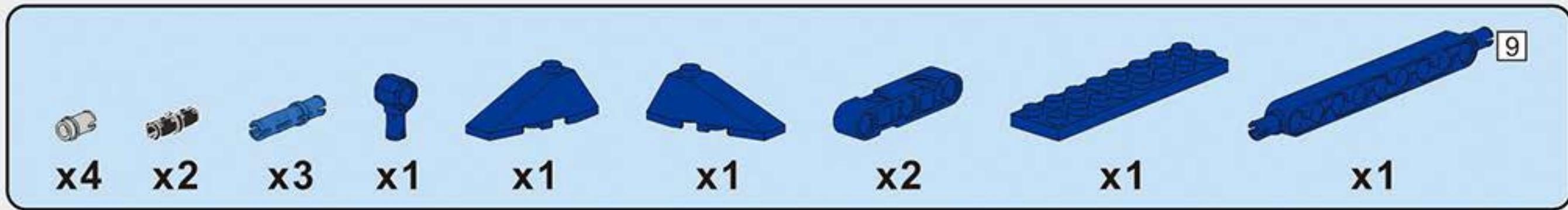
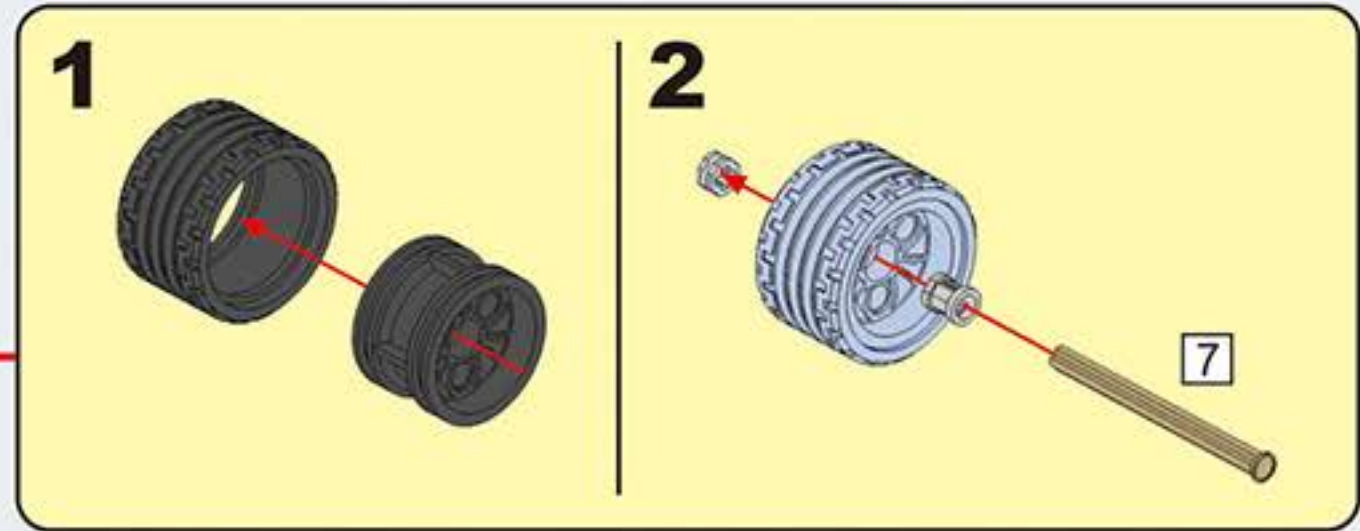
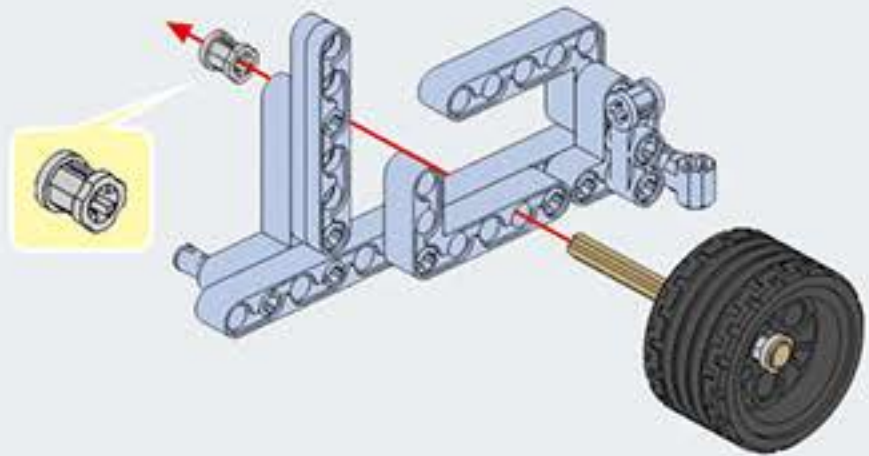


A19

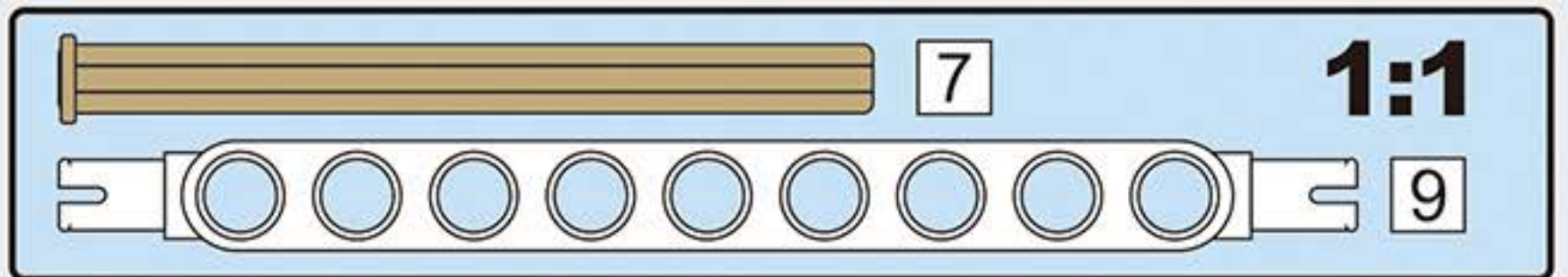
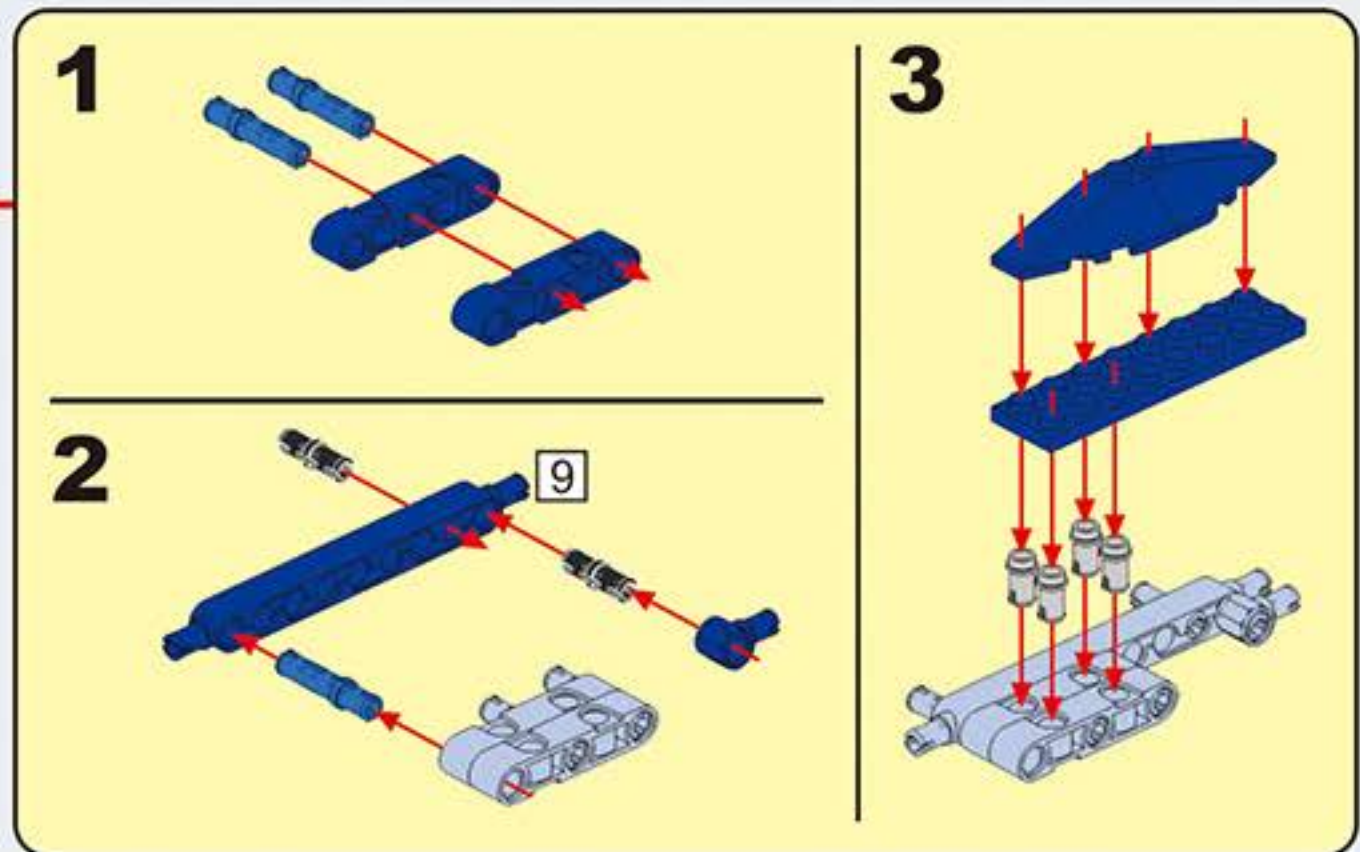
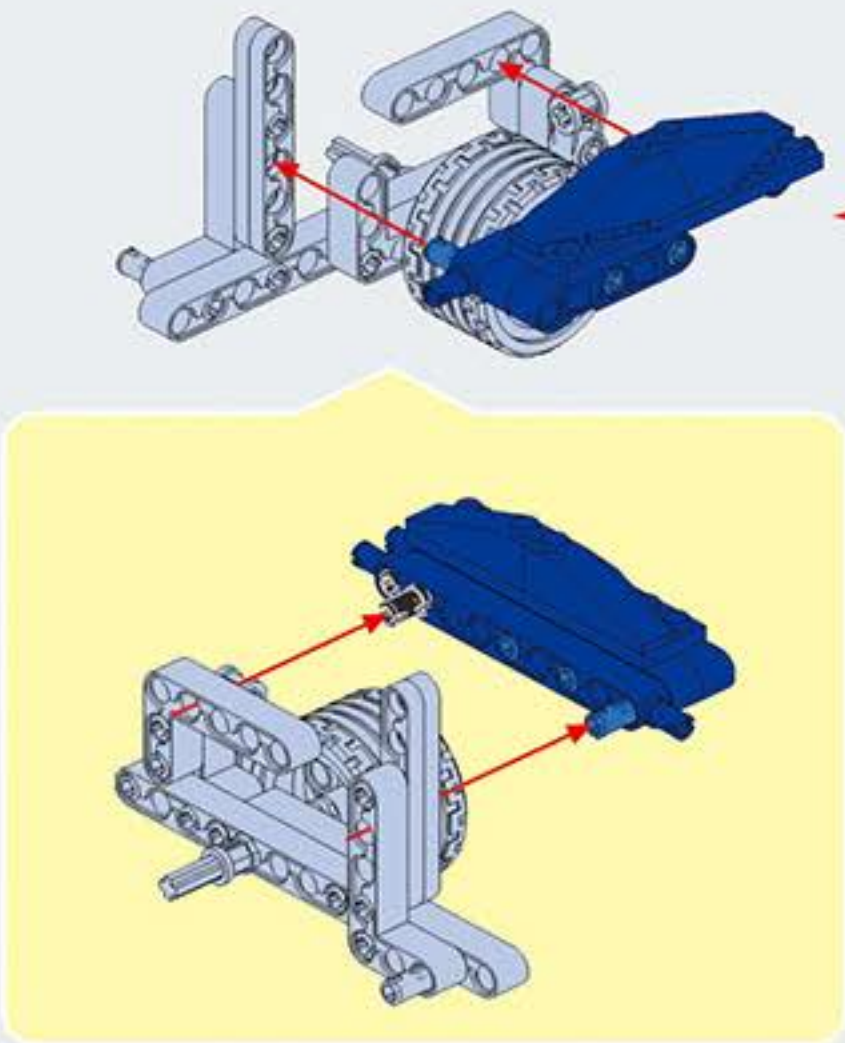




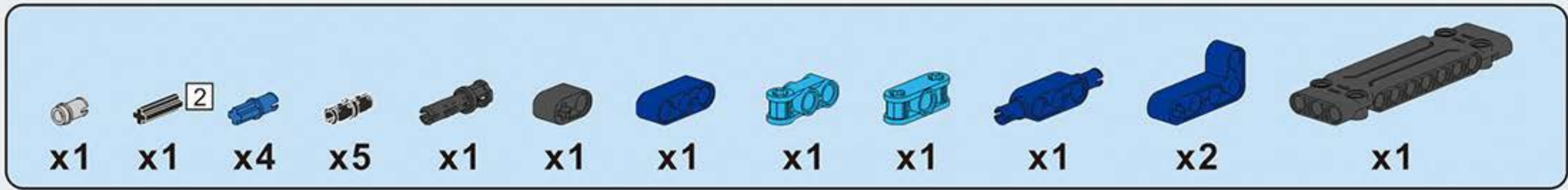
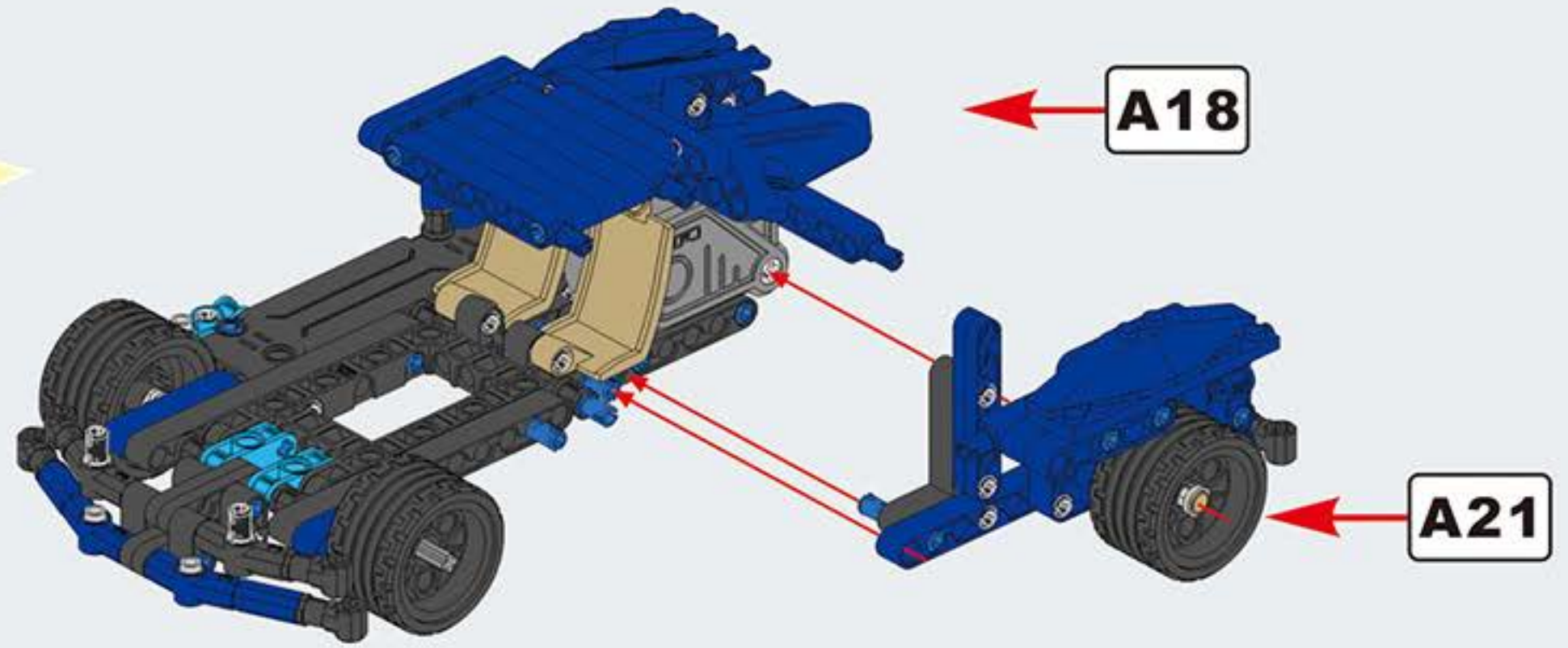
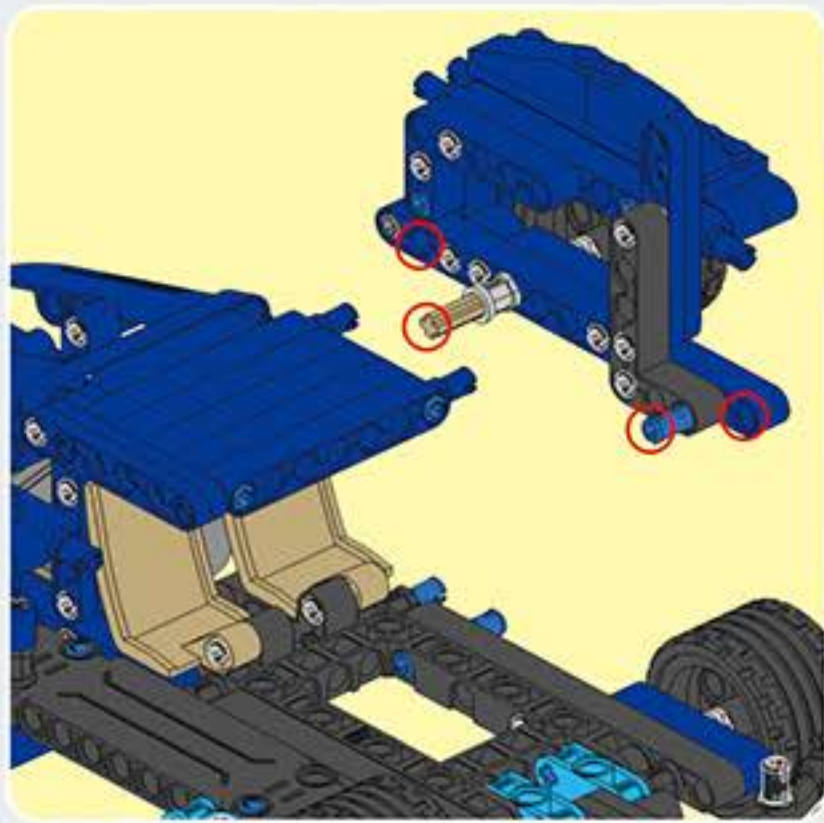
A20



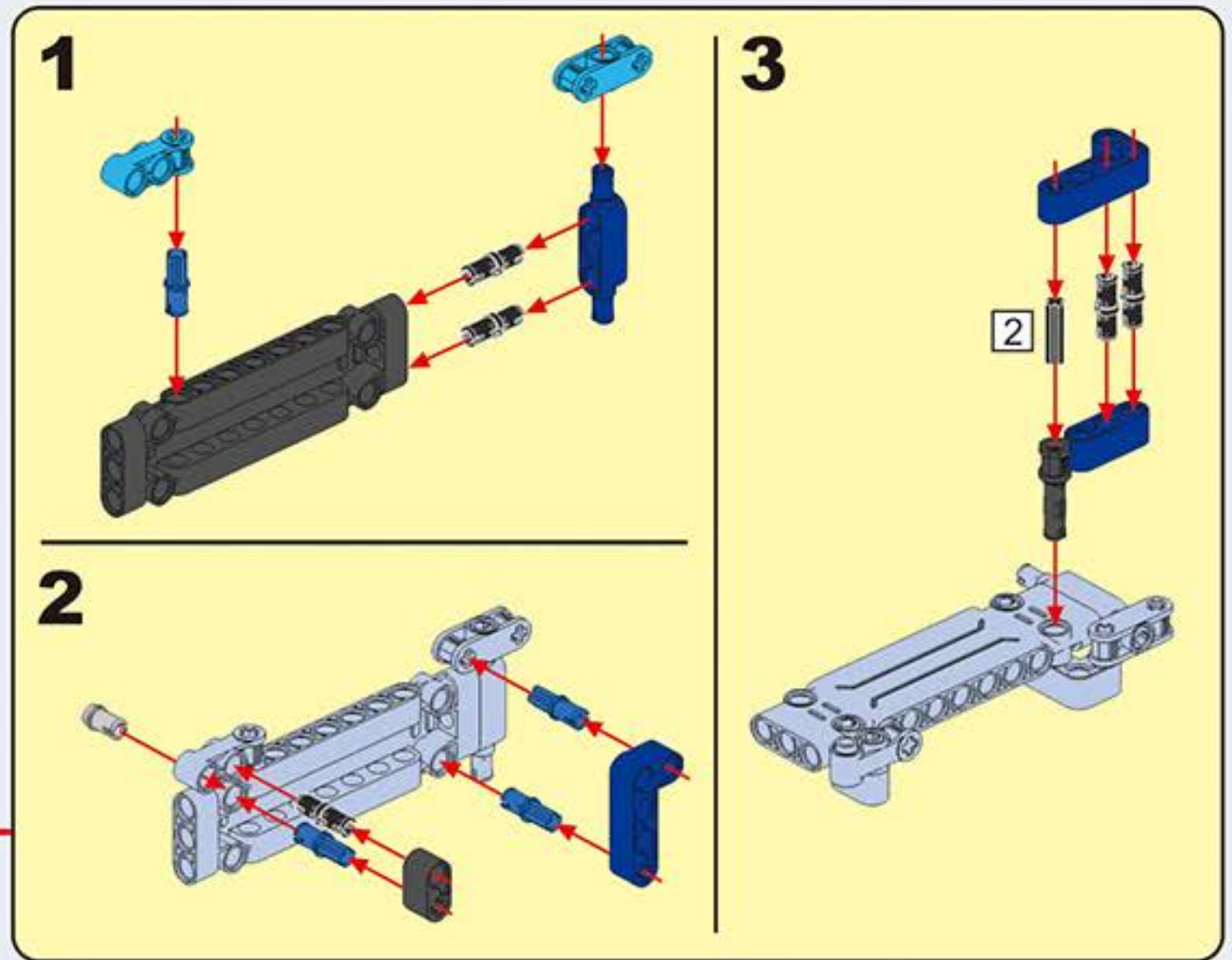
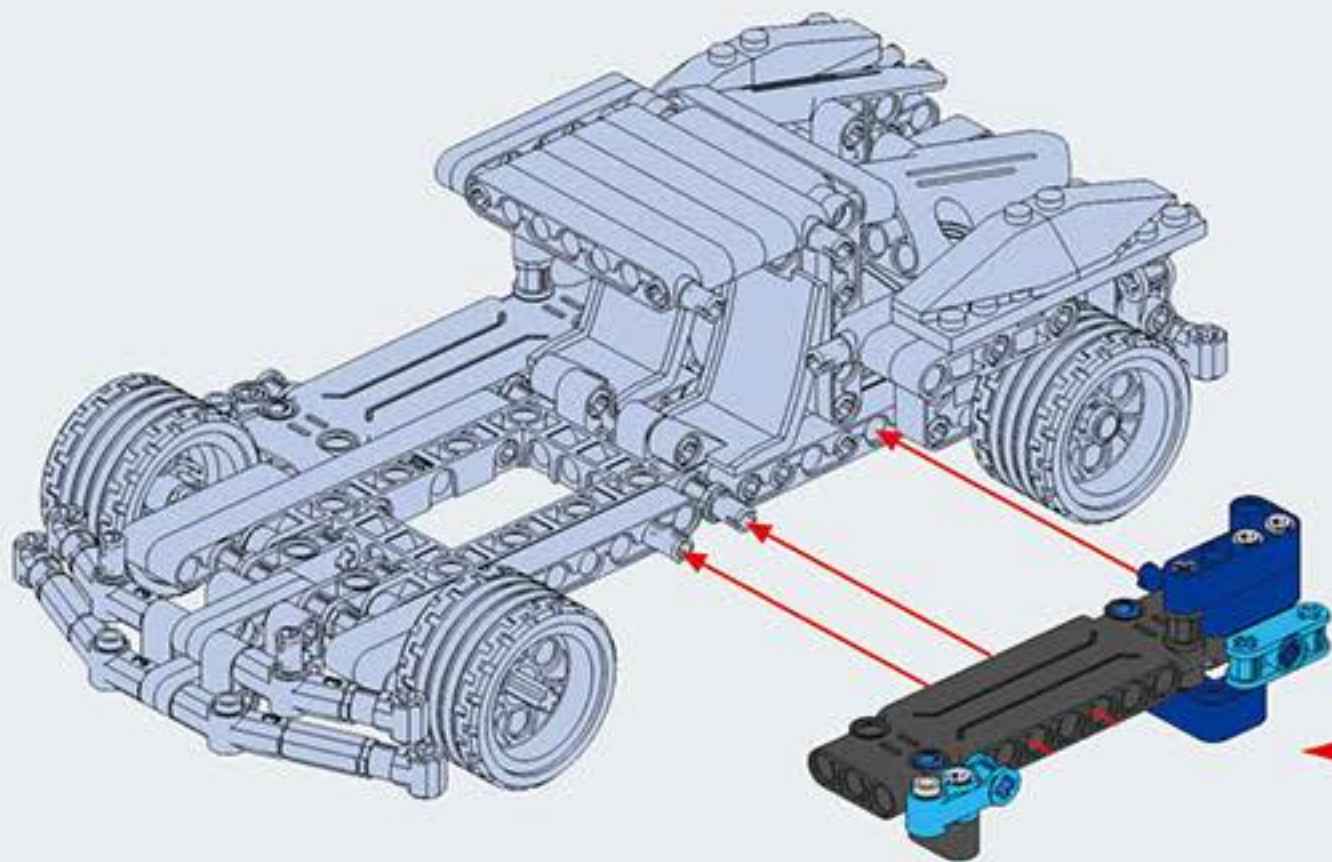
A21

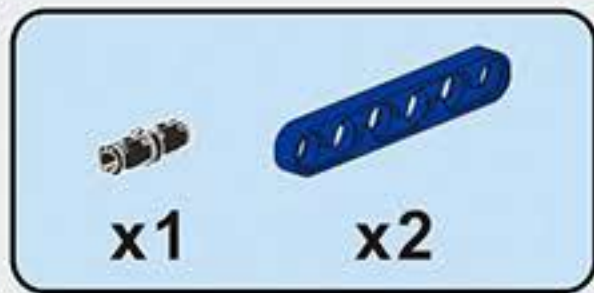


A22

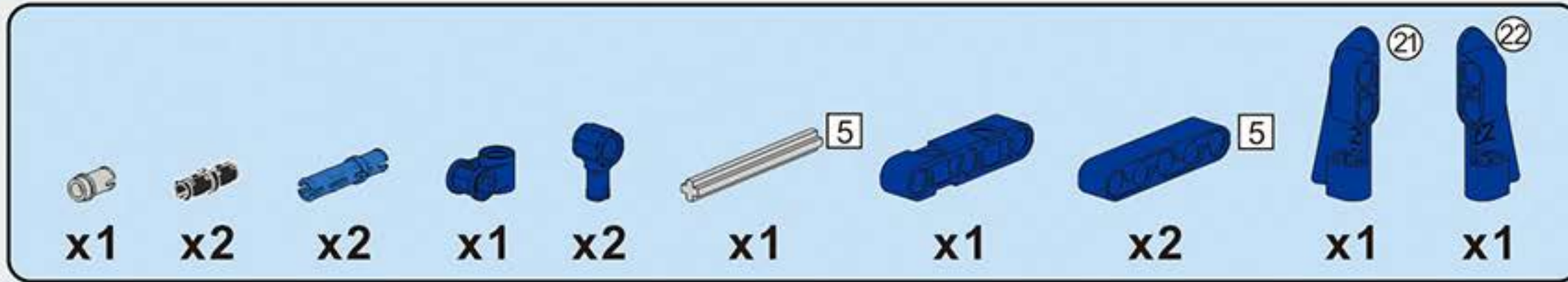
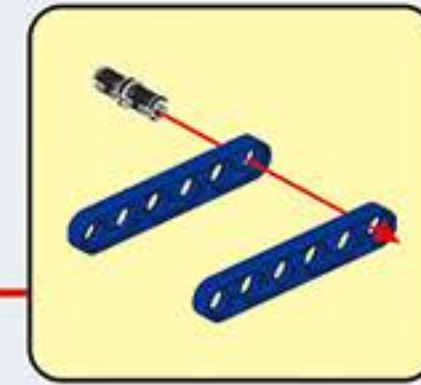
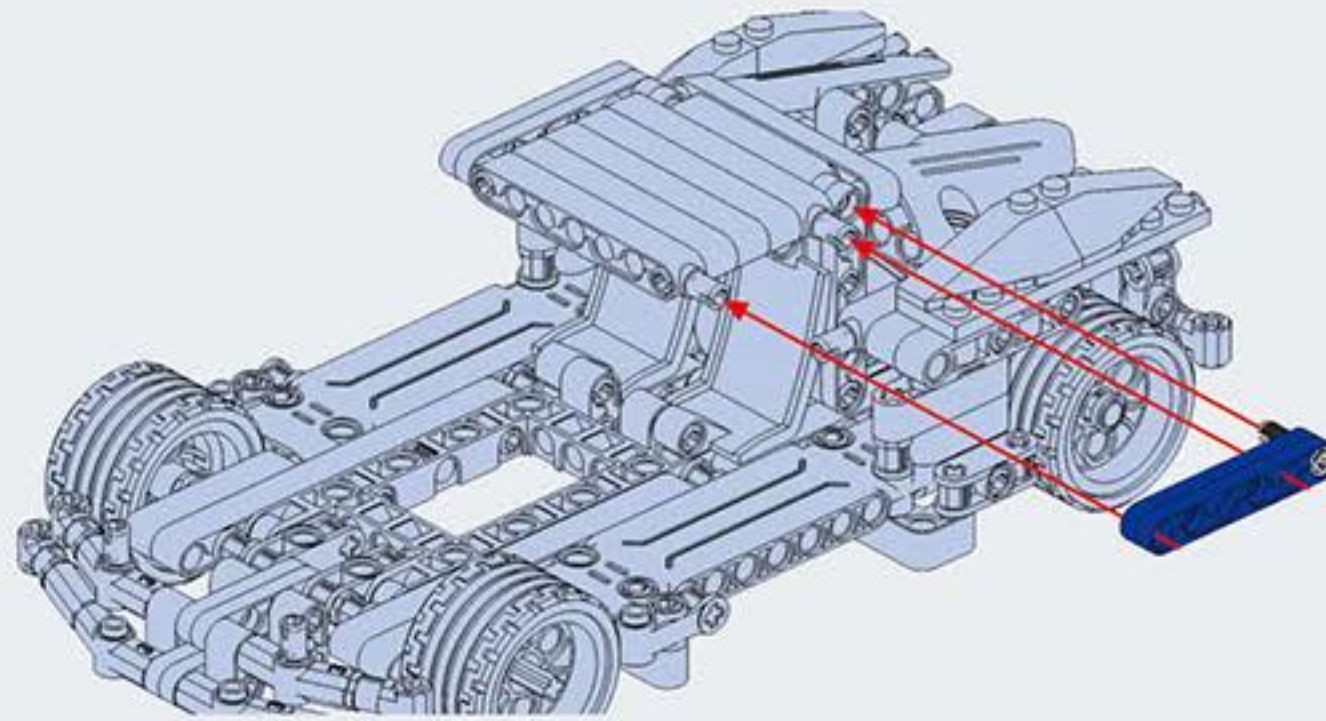


A23

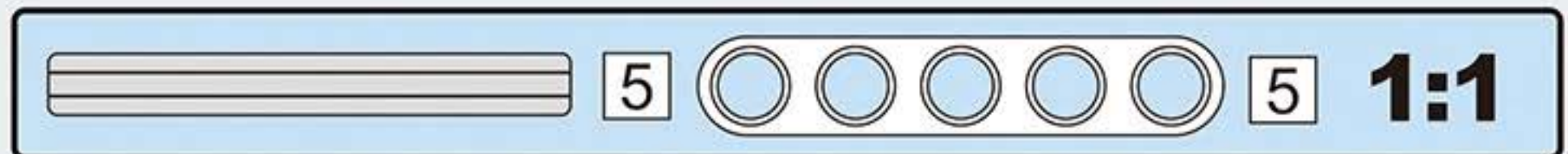
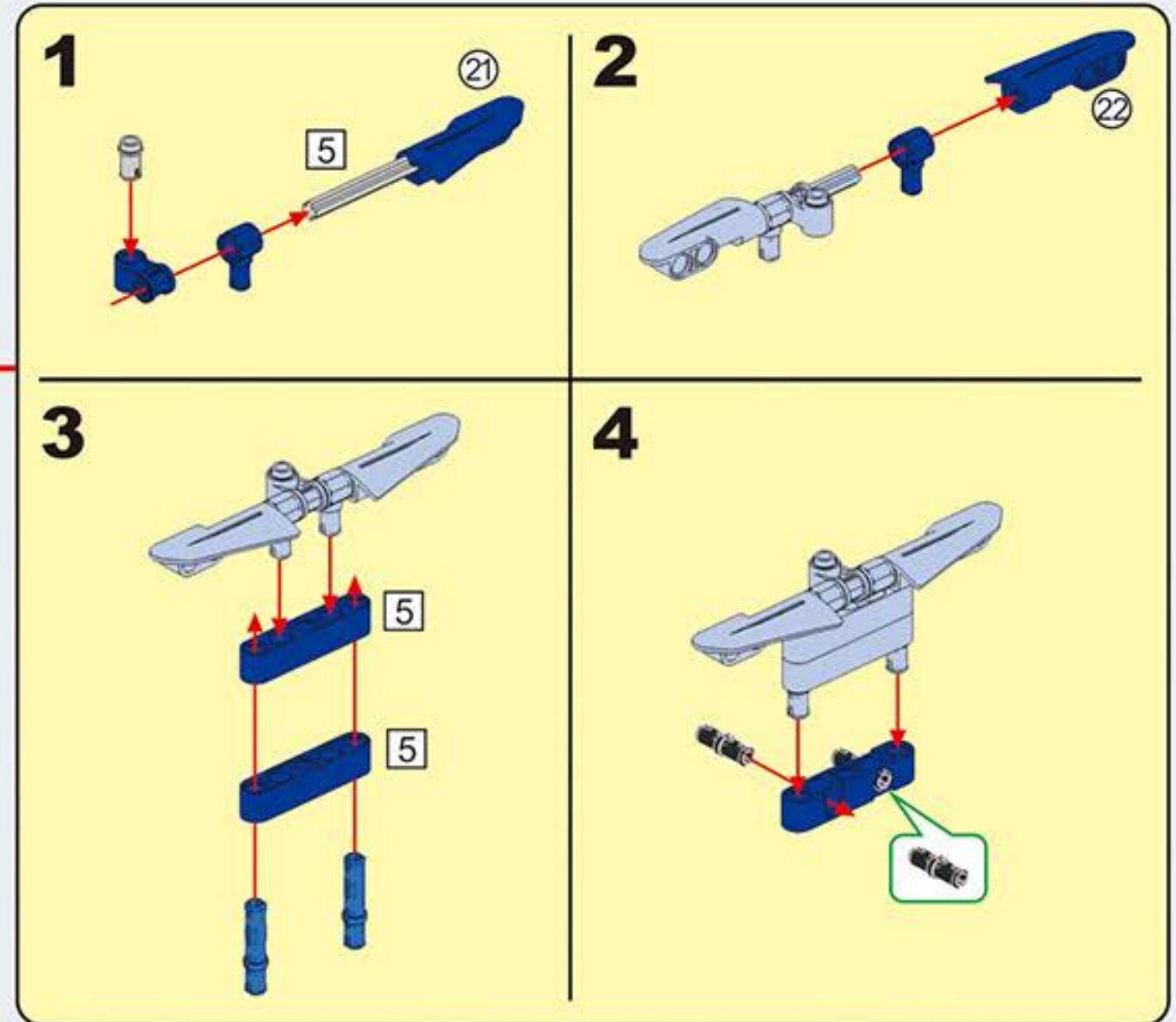
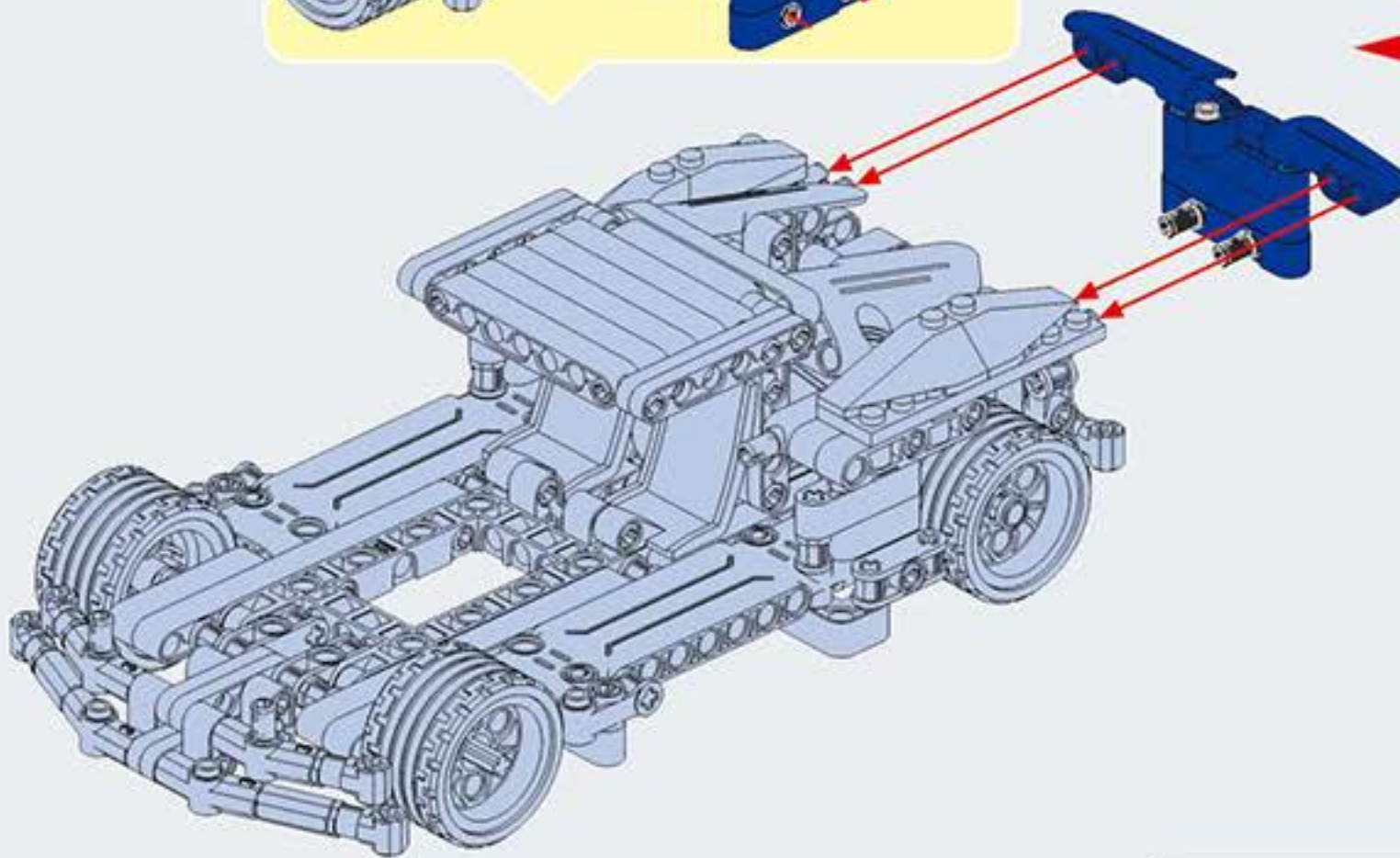
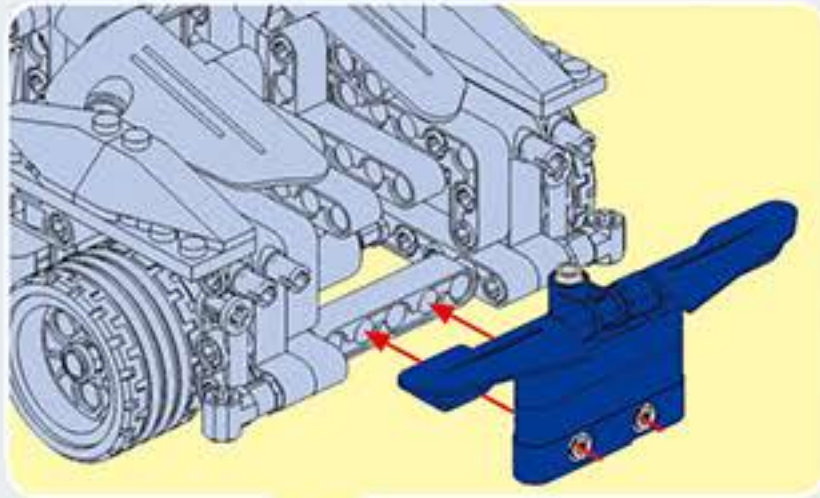


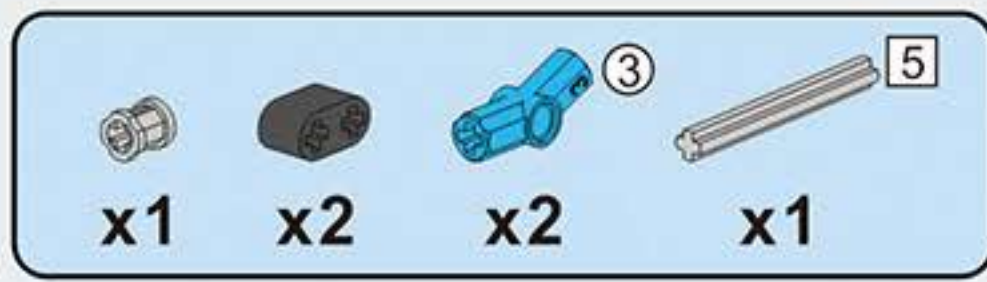


A24

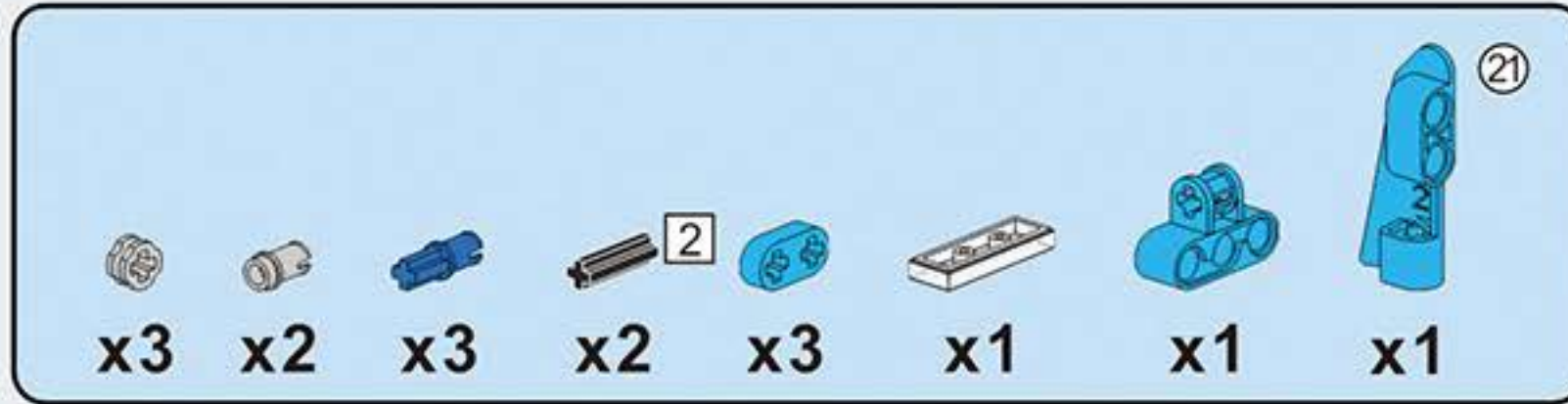
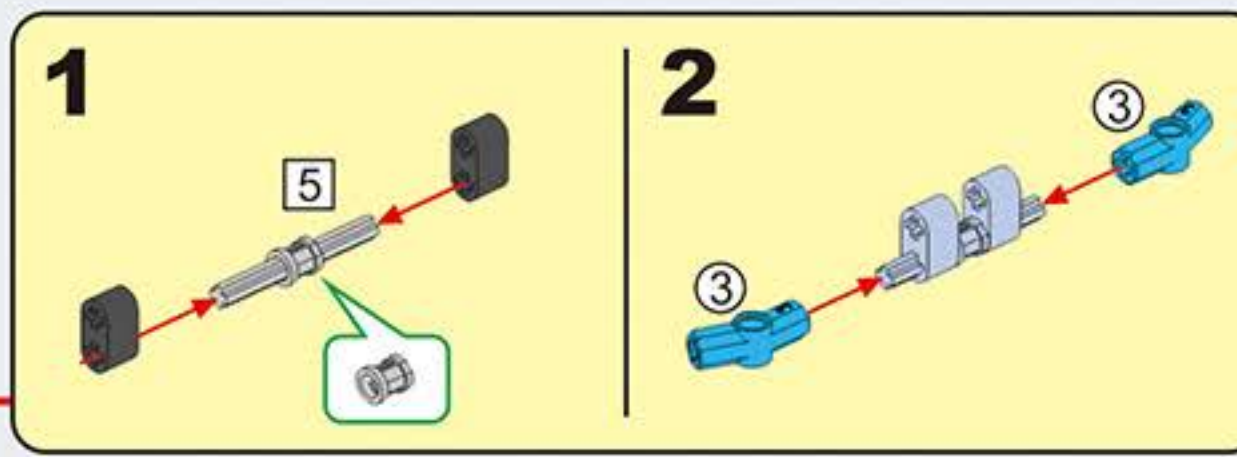
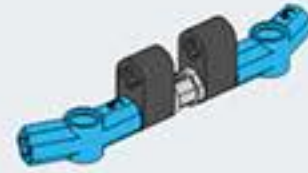


A25

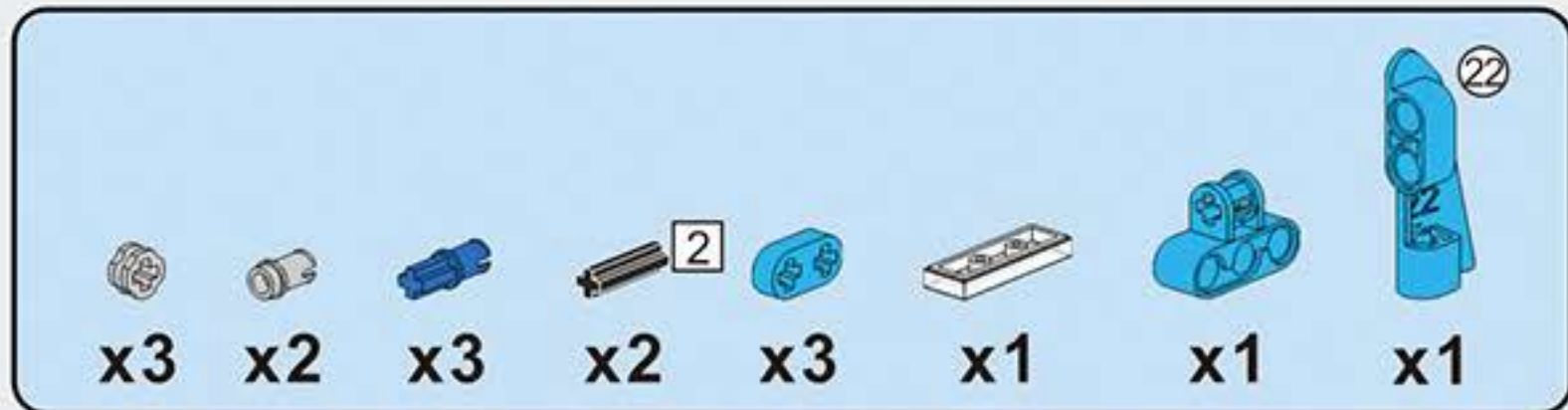
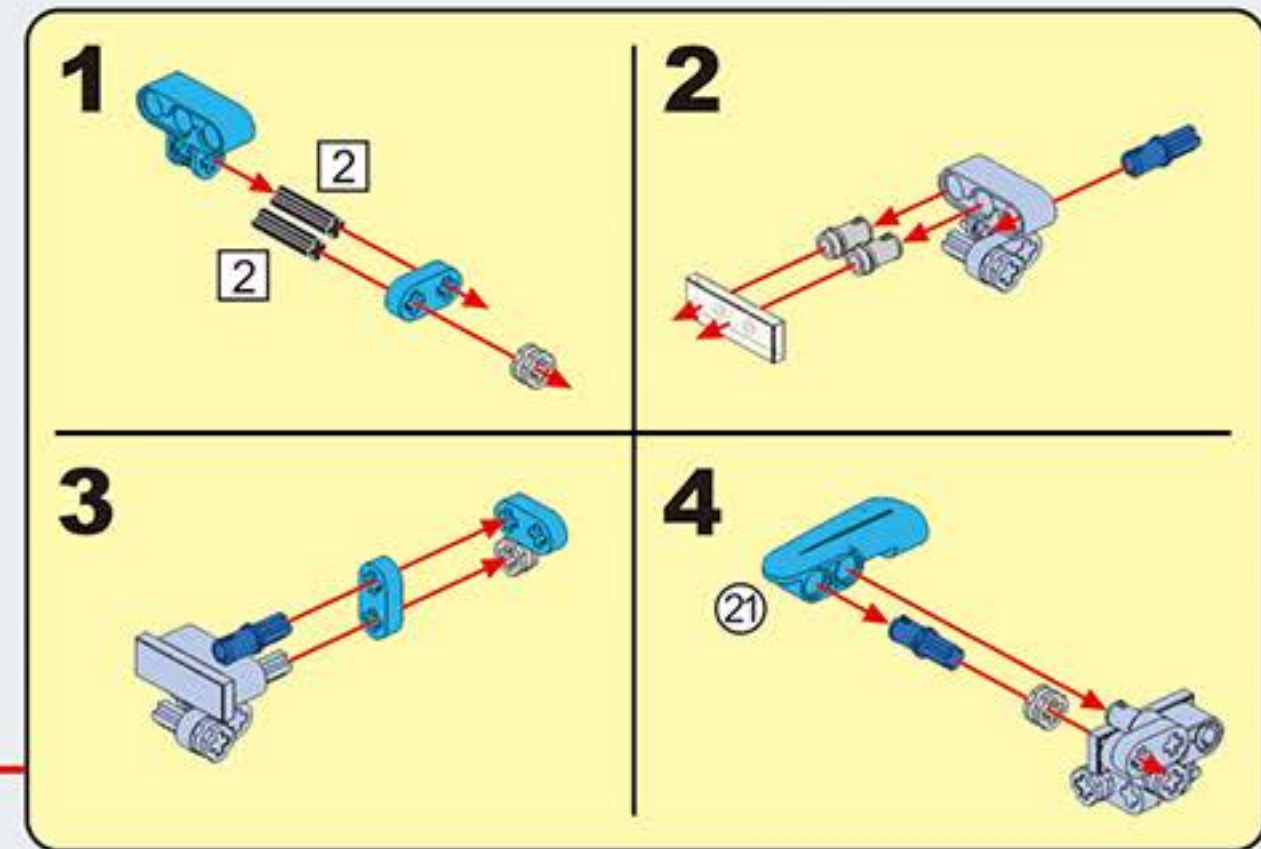
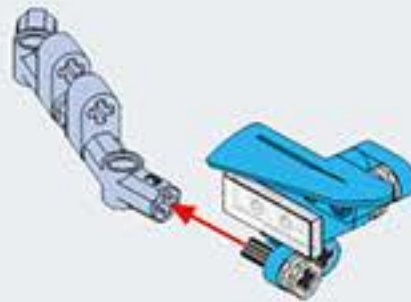




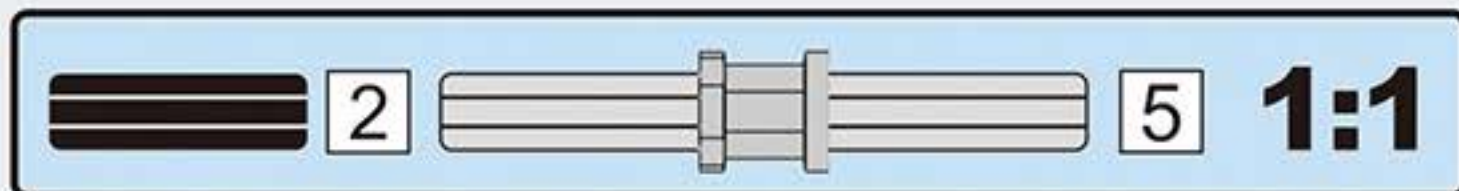
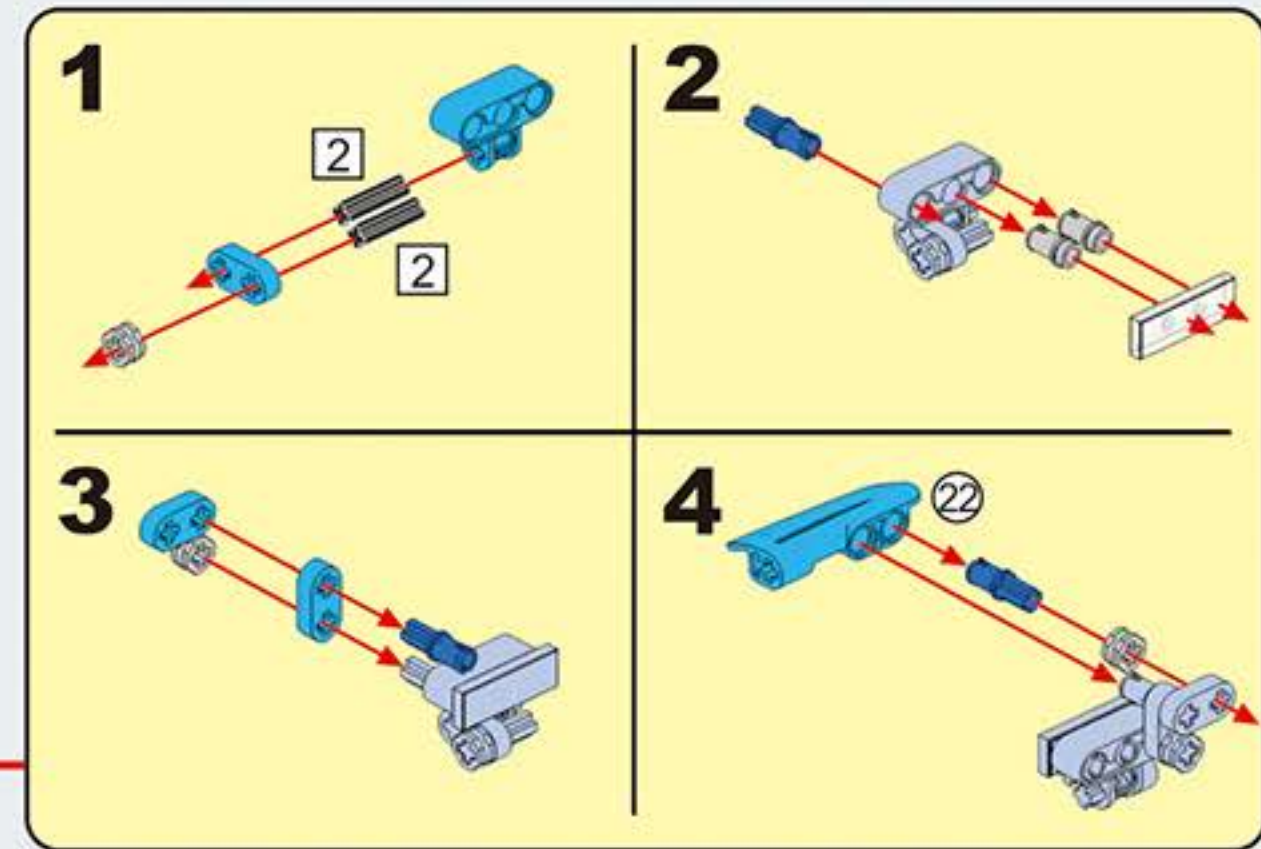
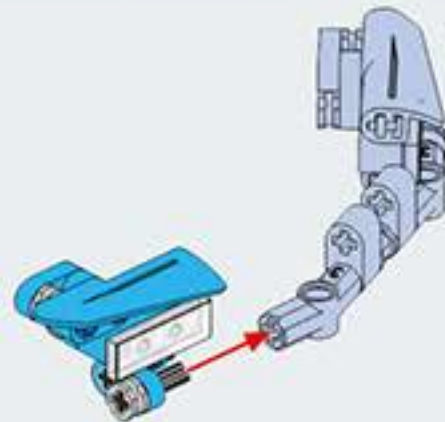
A26



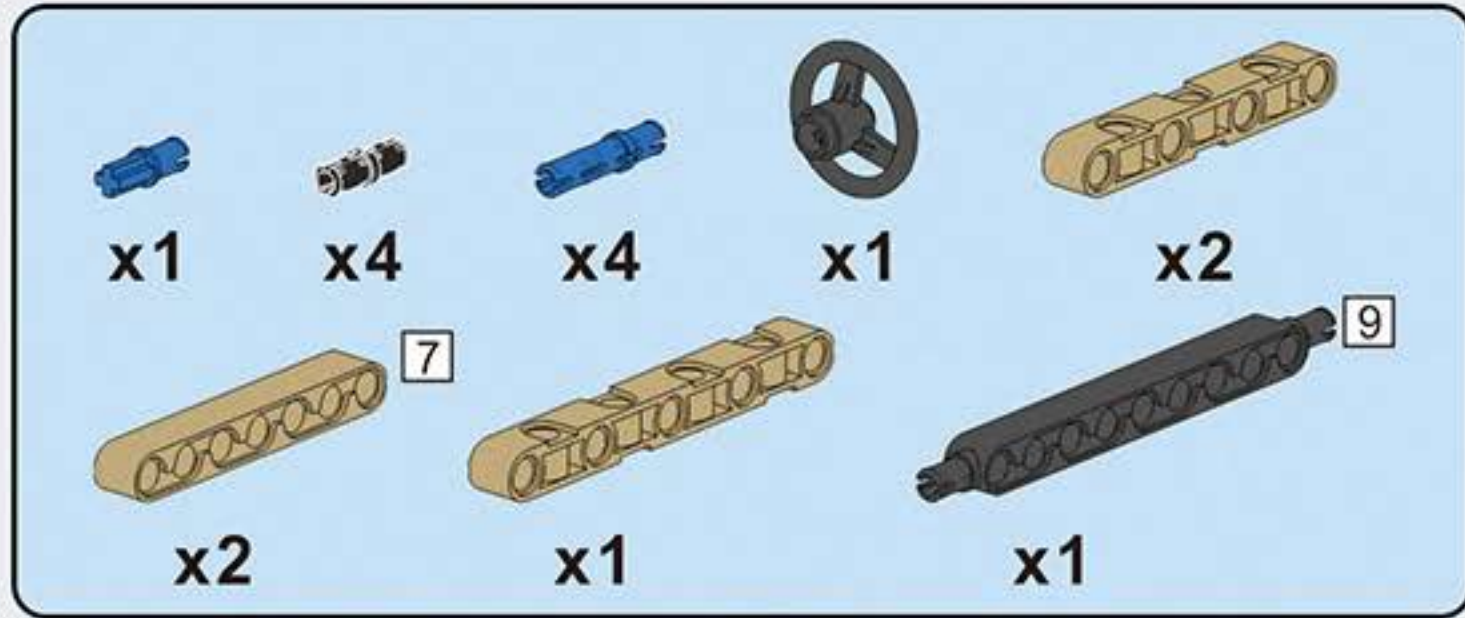
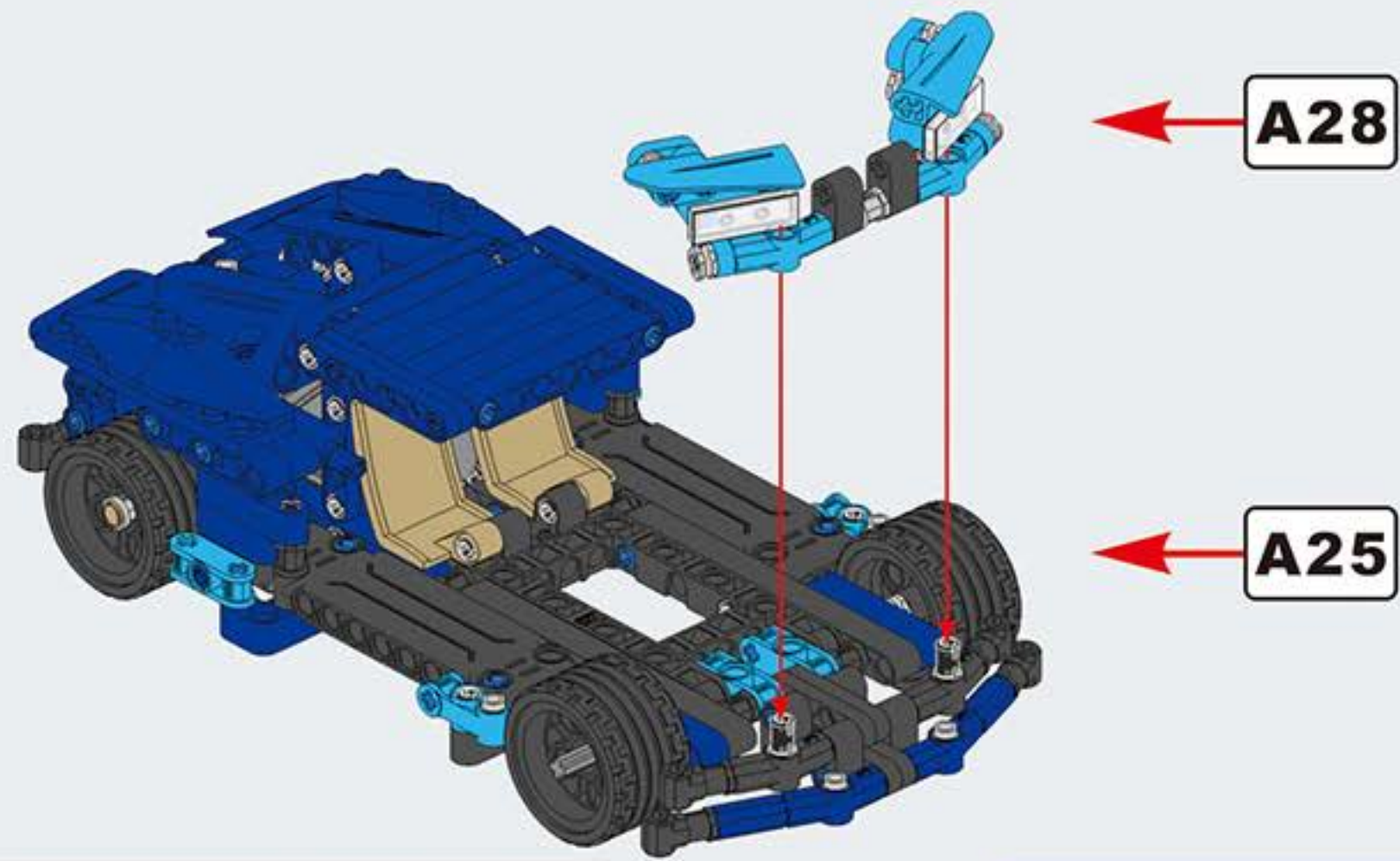
A27



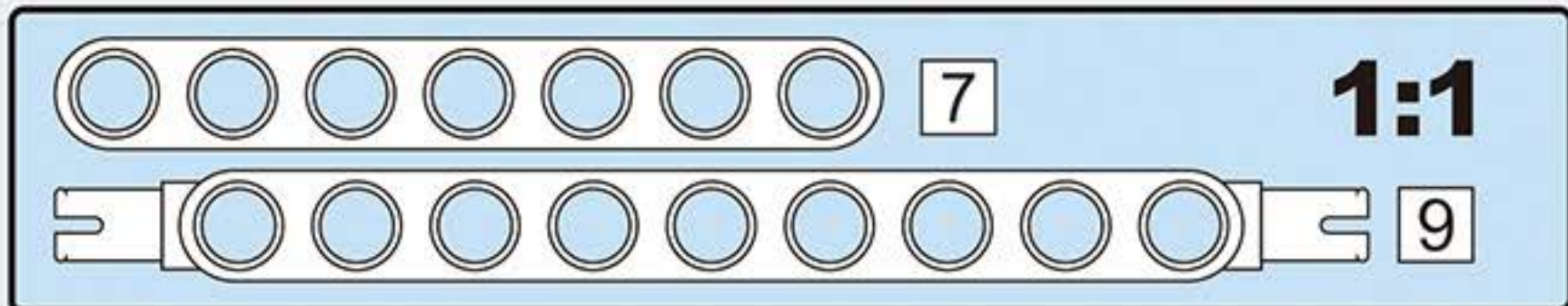
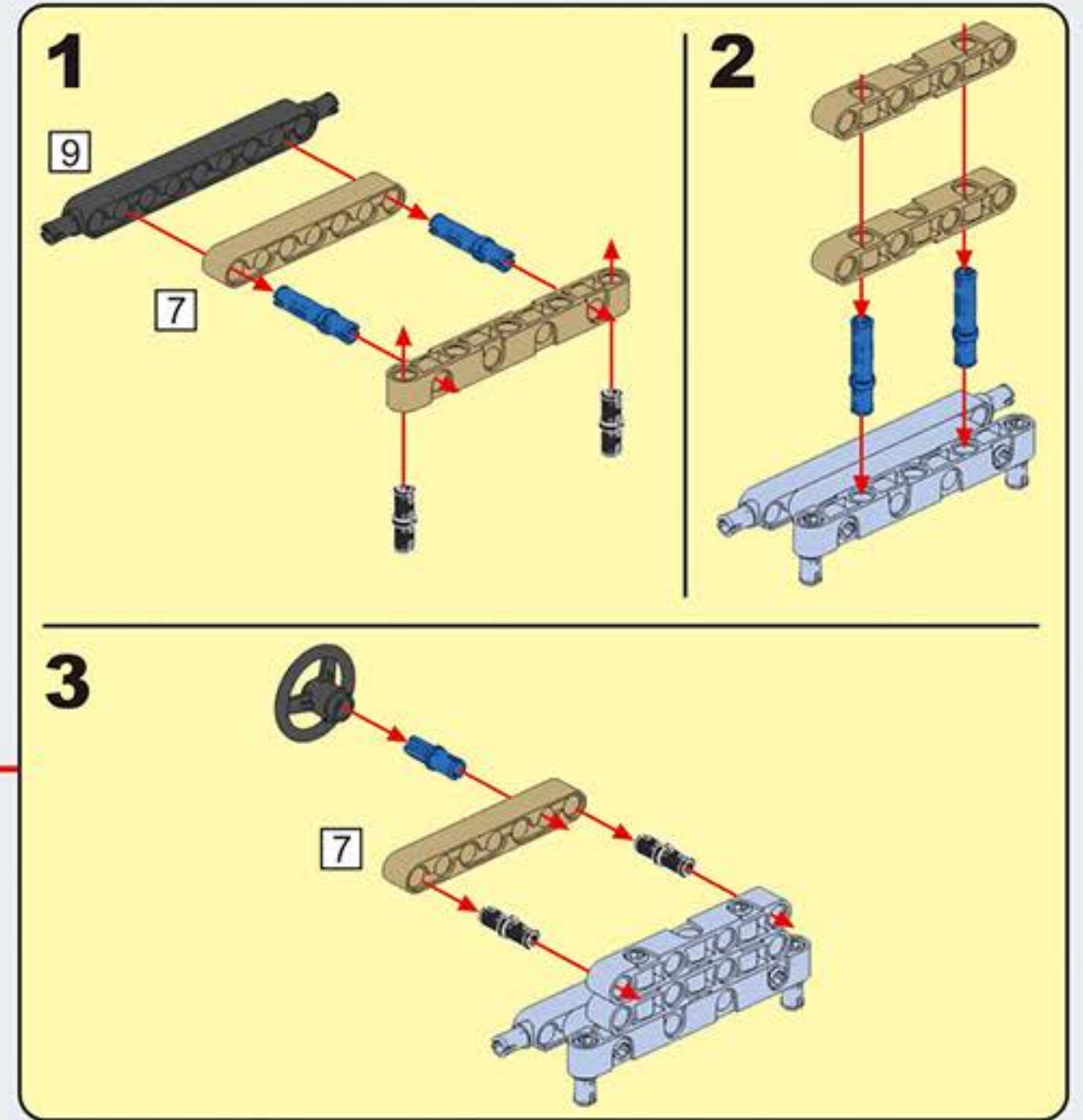
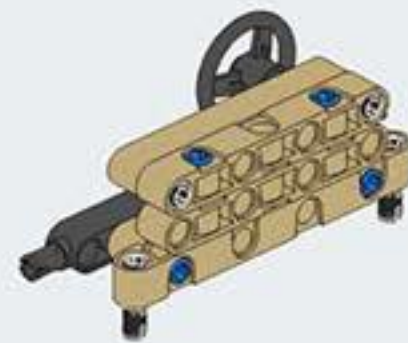
A28

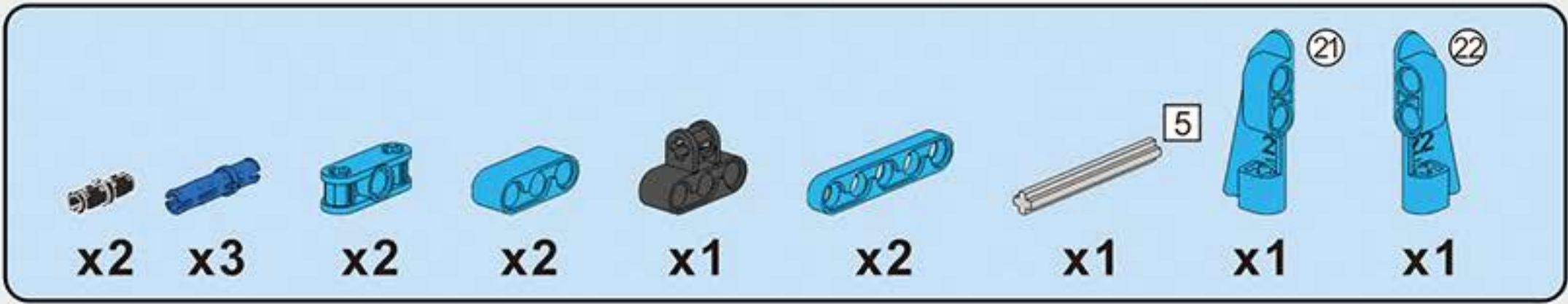


A29

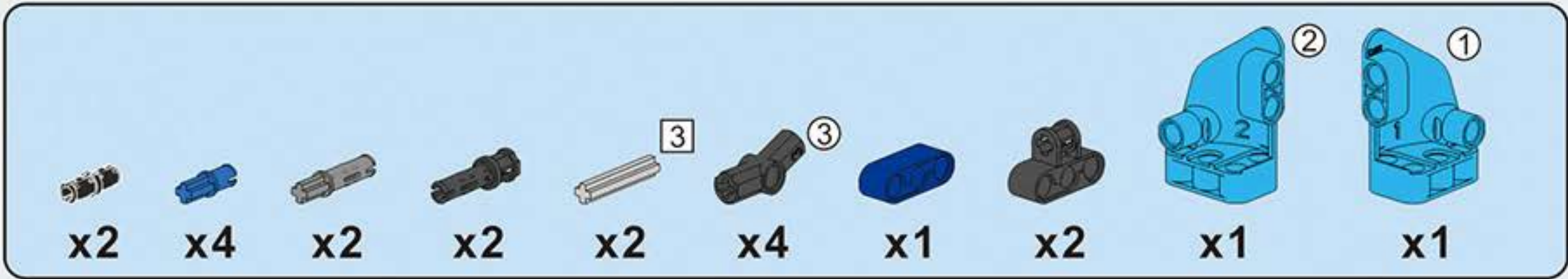
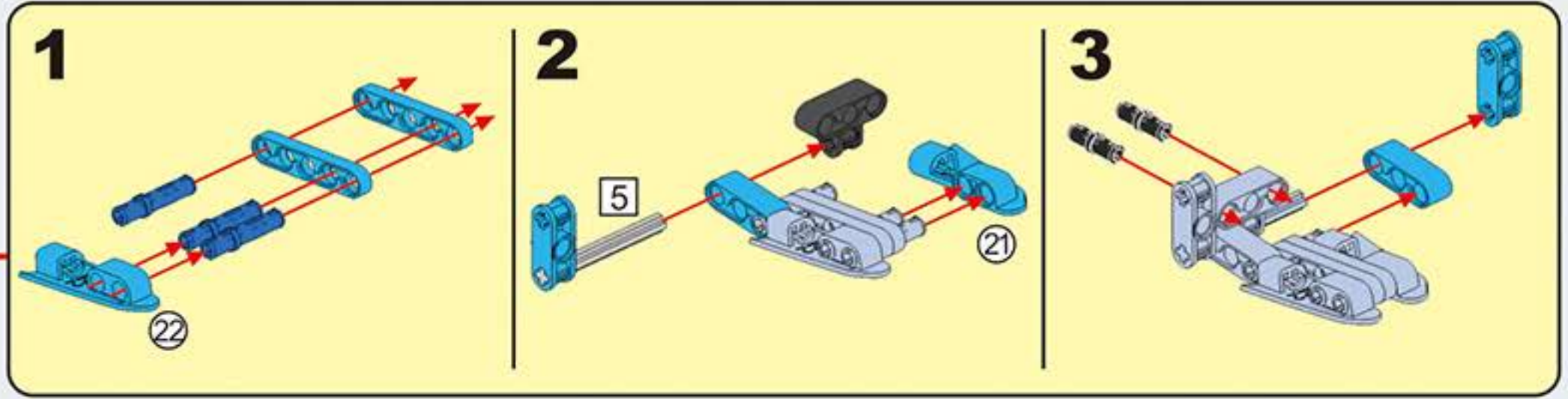
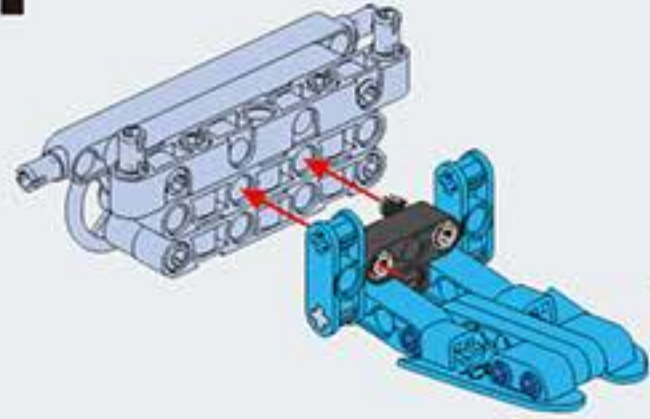


A30

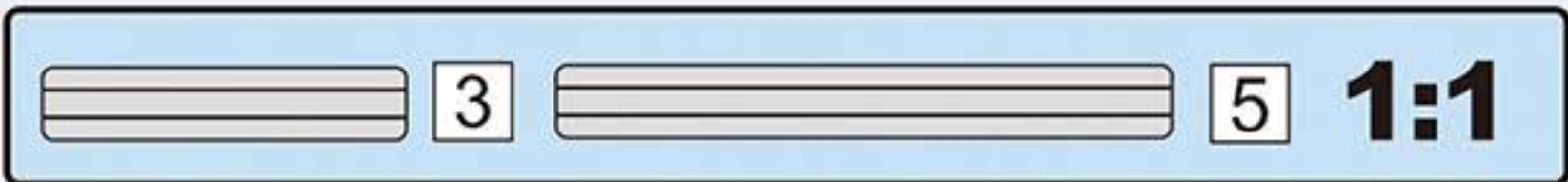
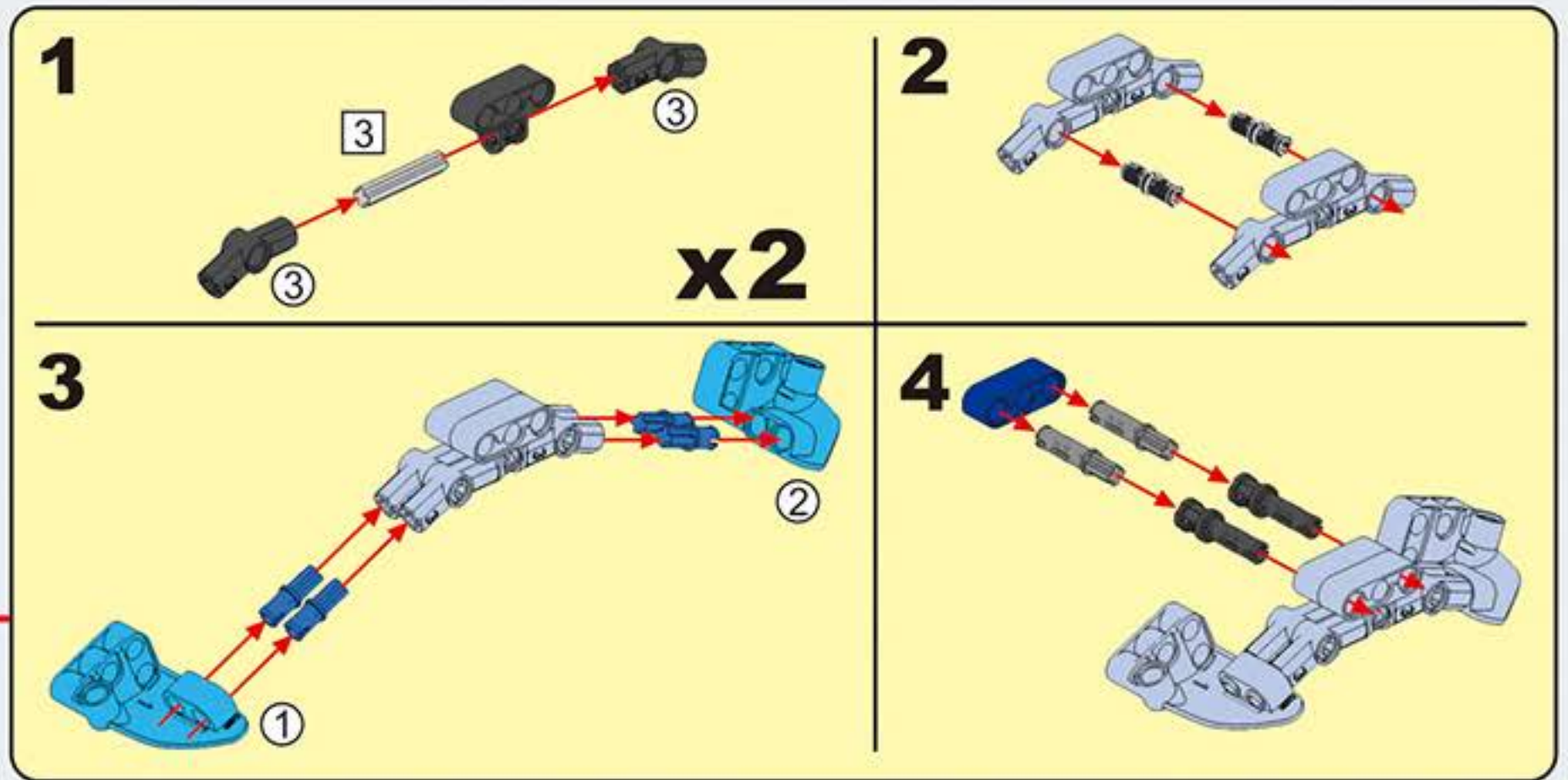
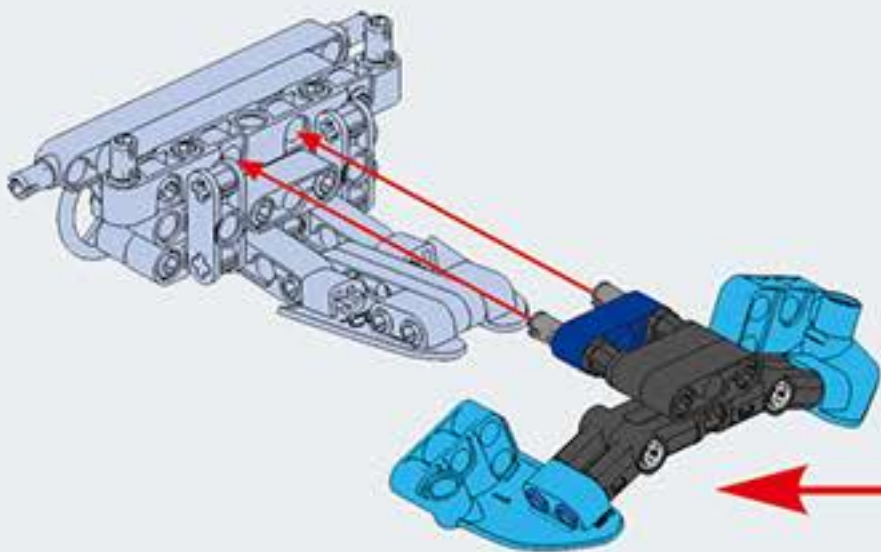




A31



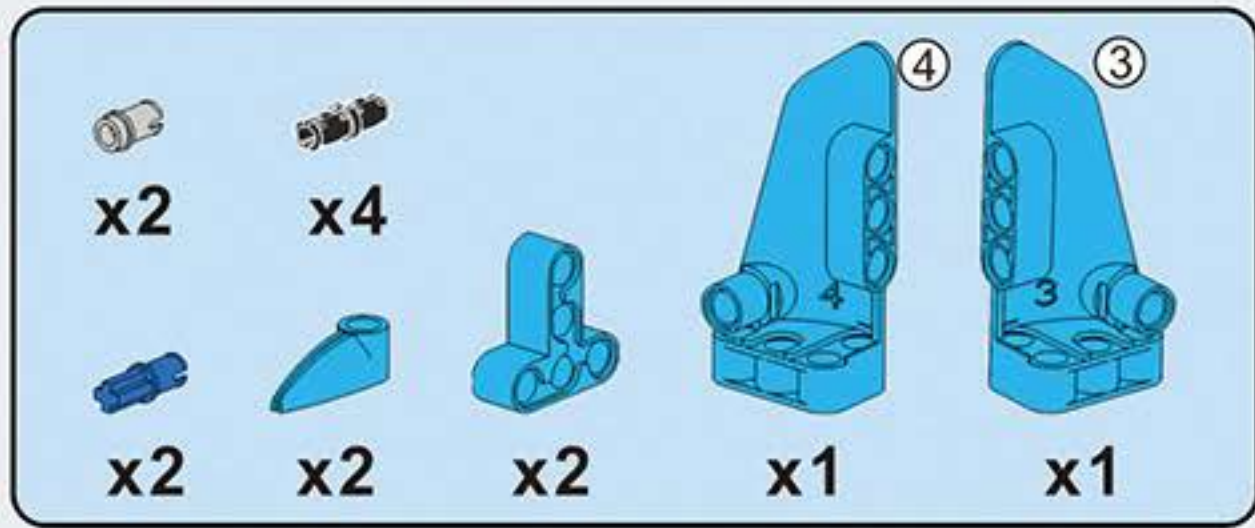
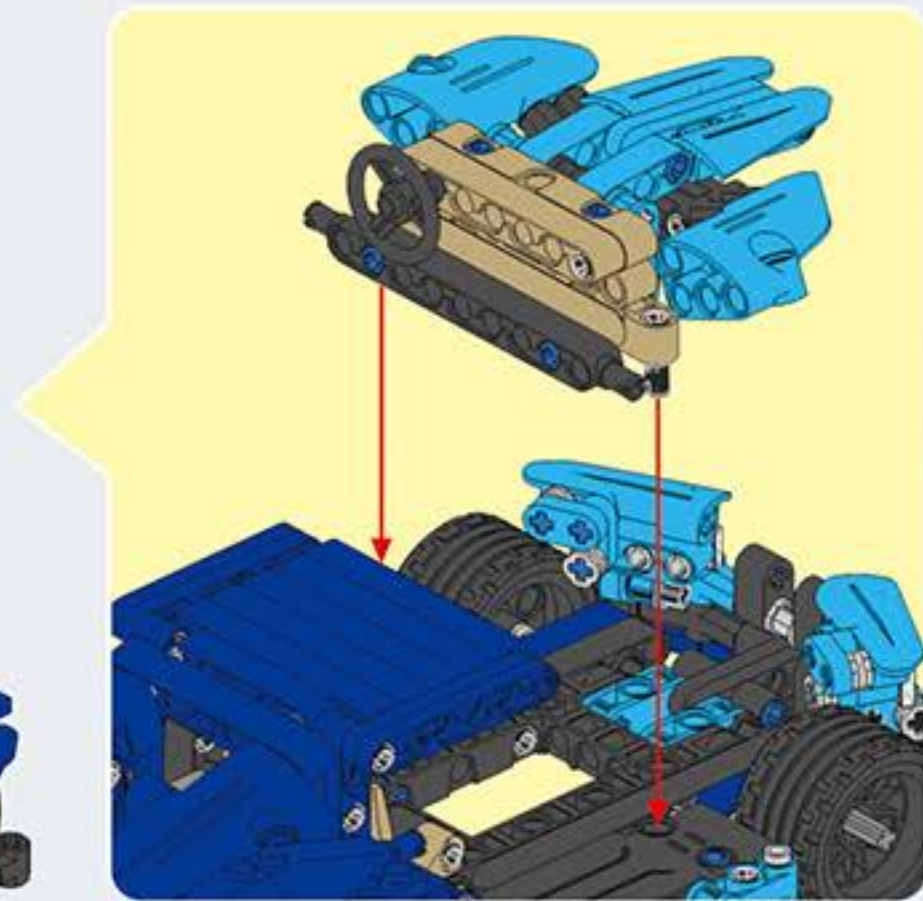
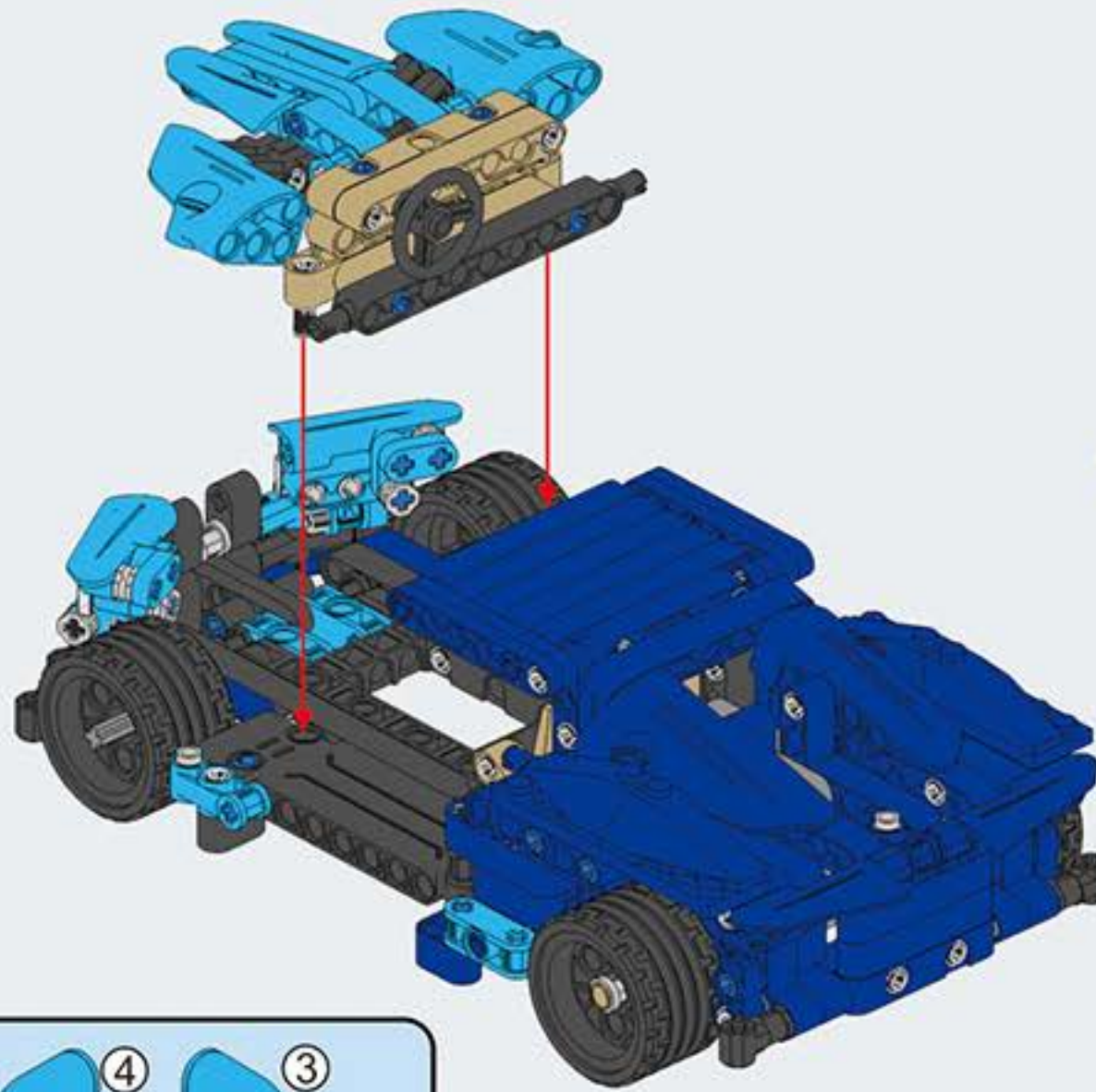
A32



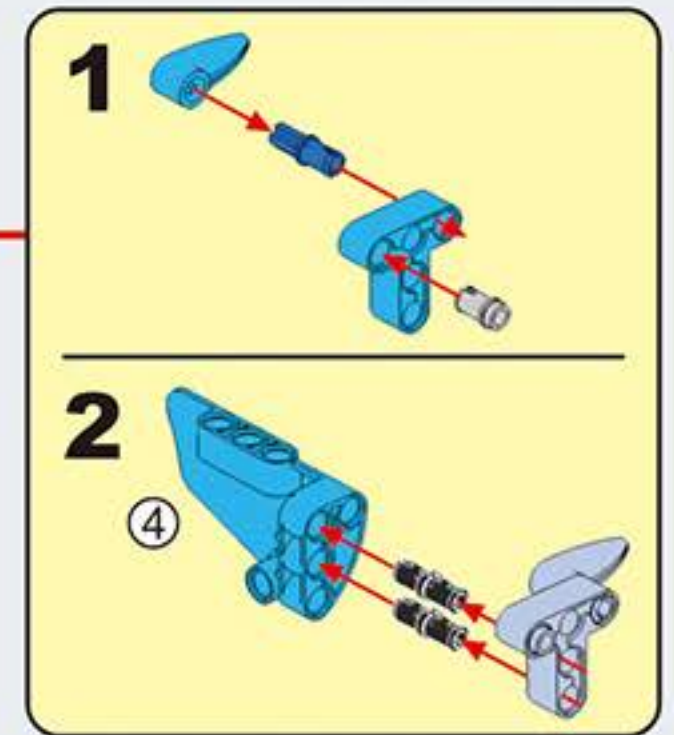
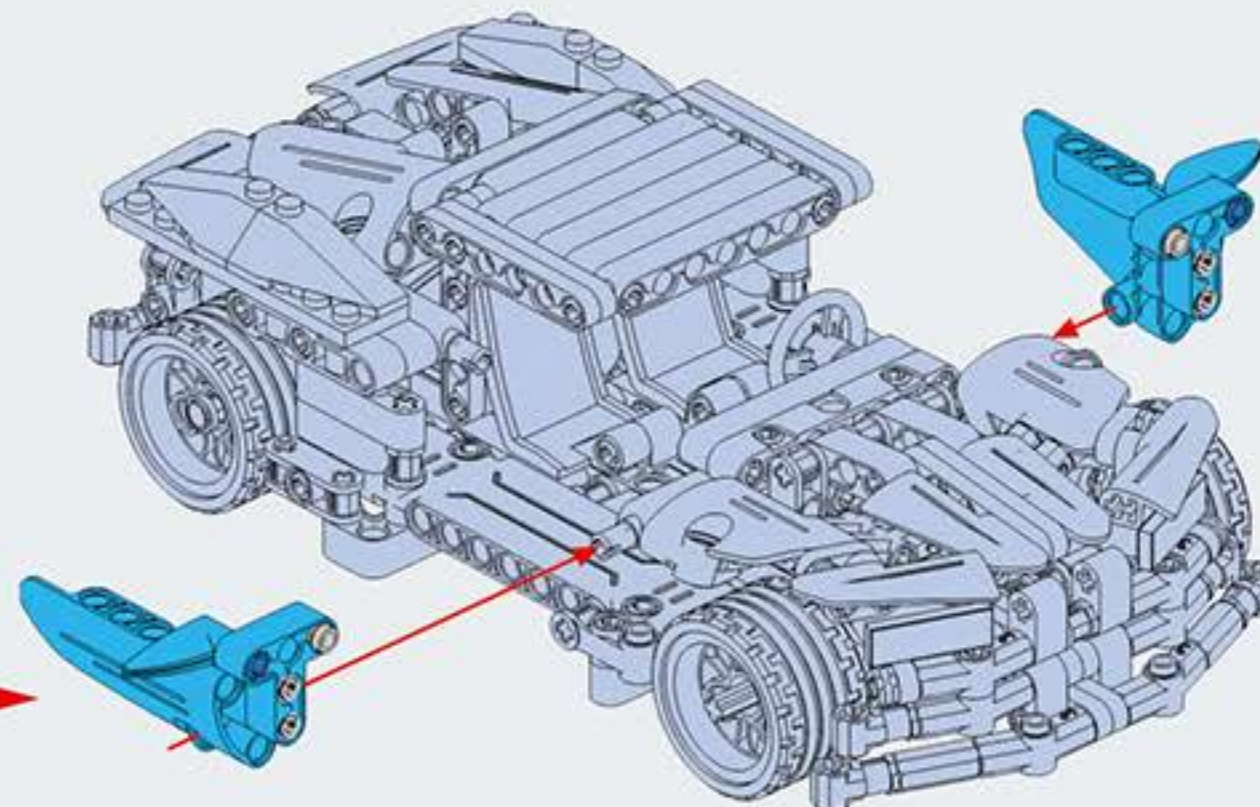
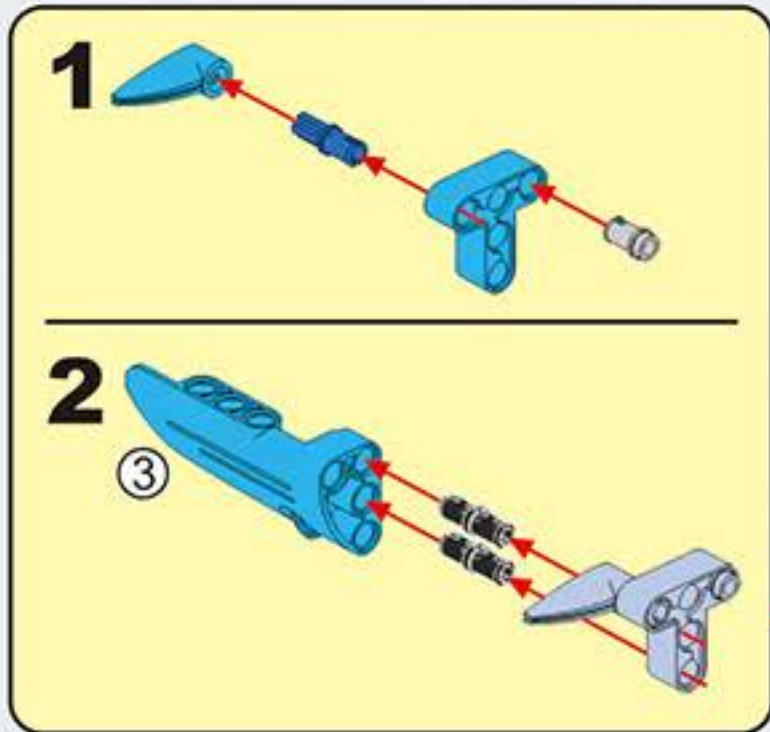
A33

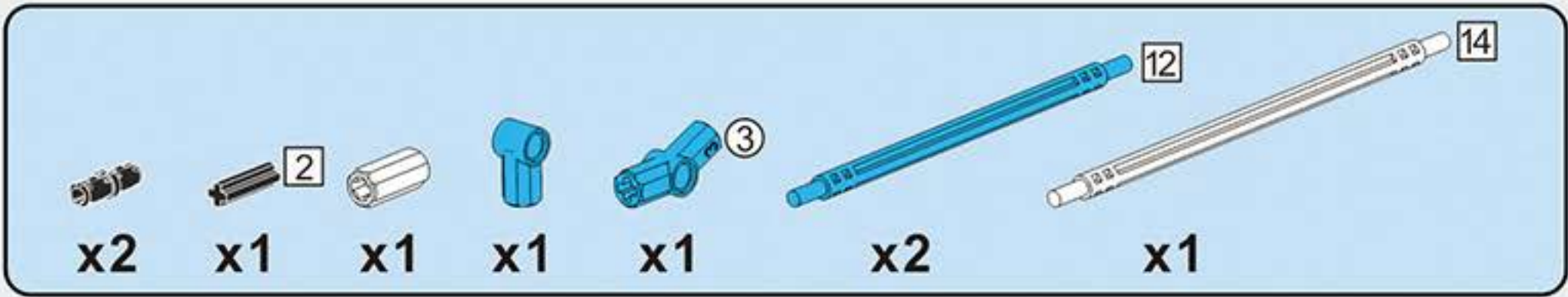
A32 →

A29 →

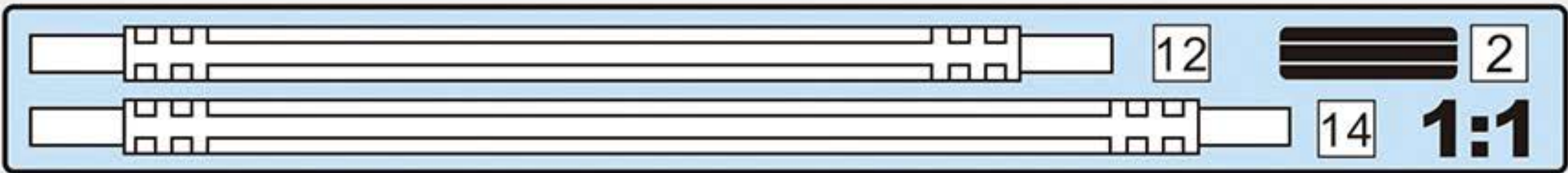
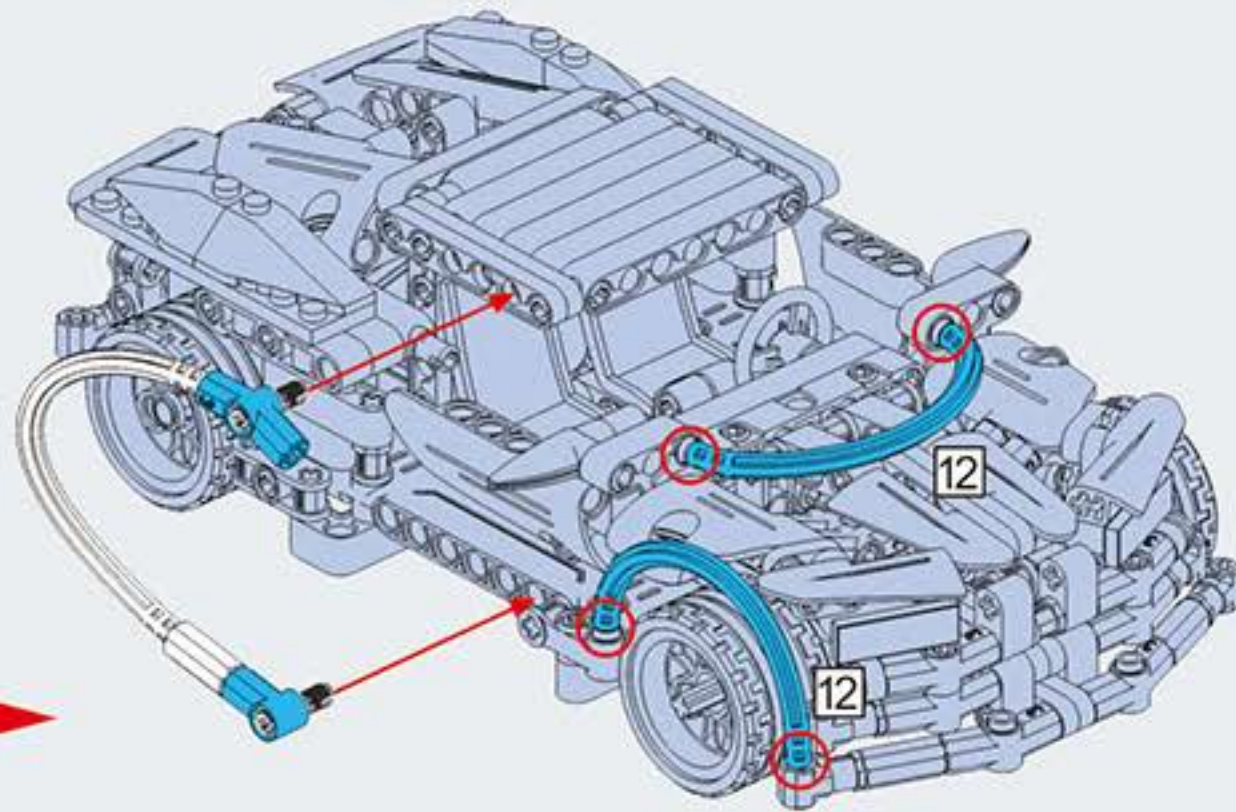
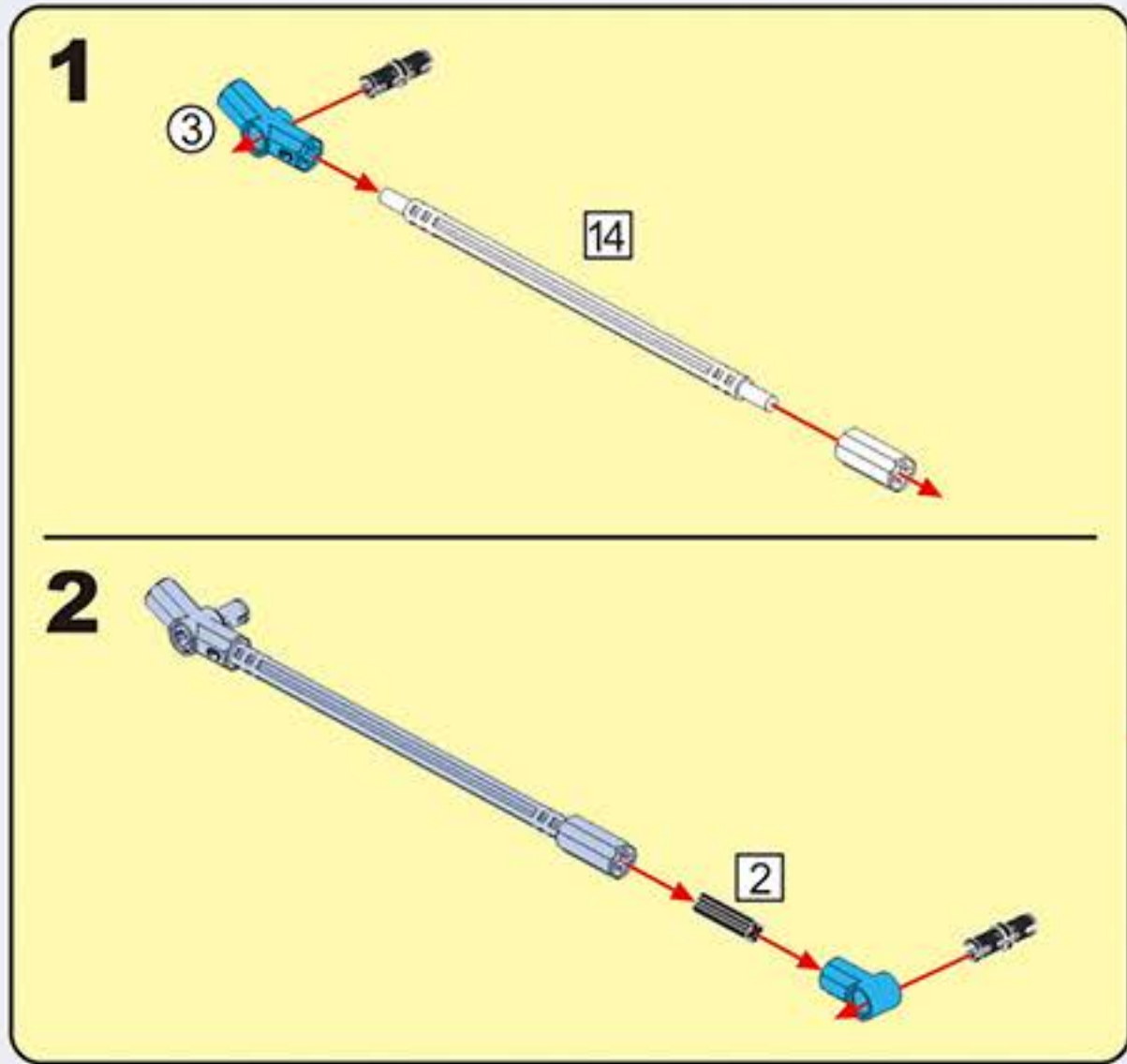


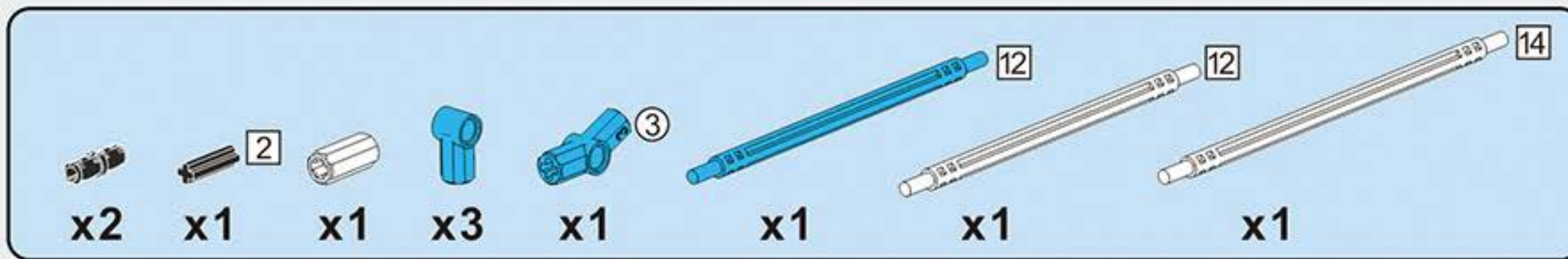
A34



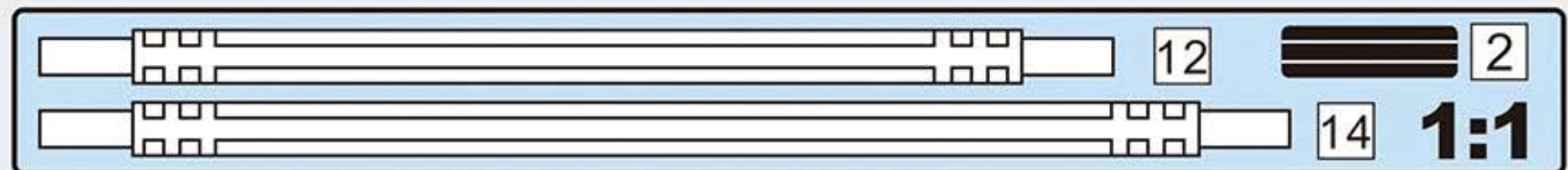
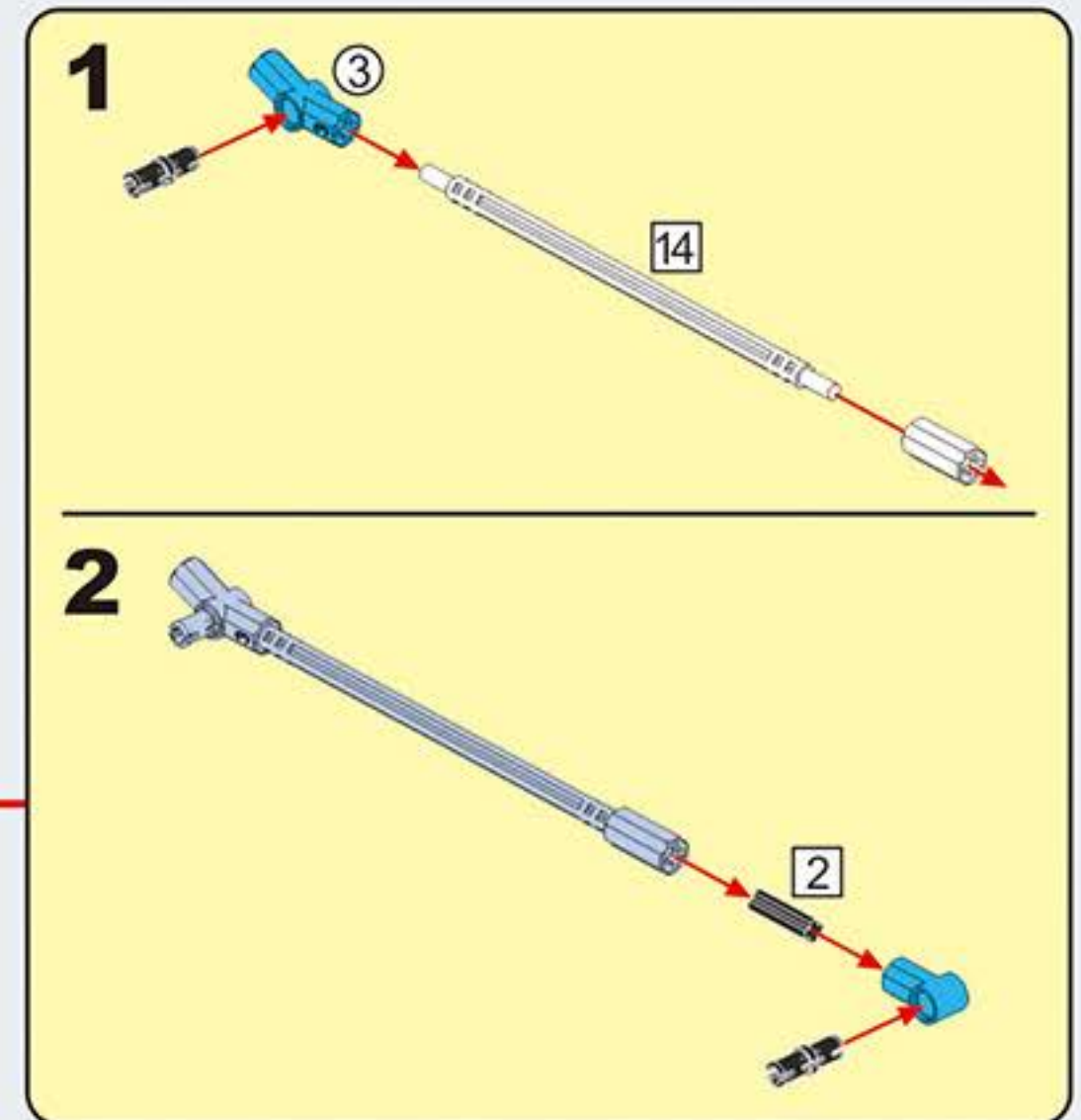
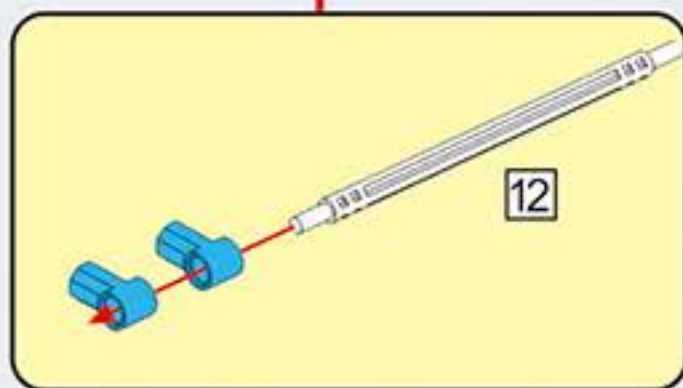
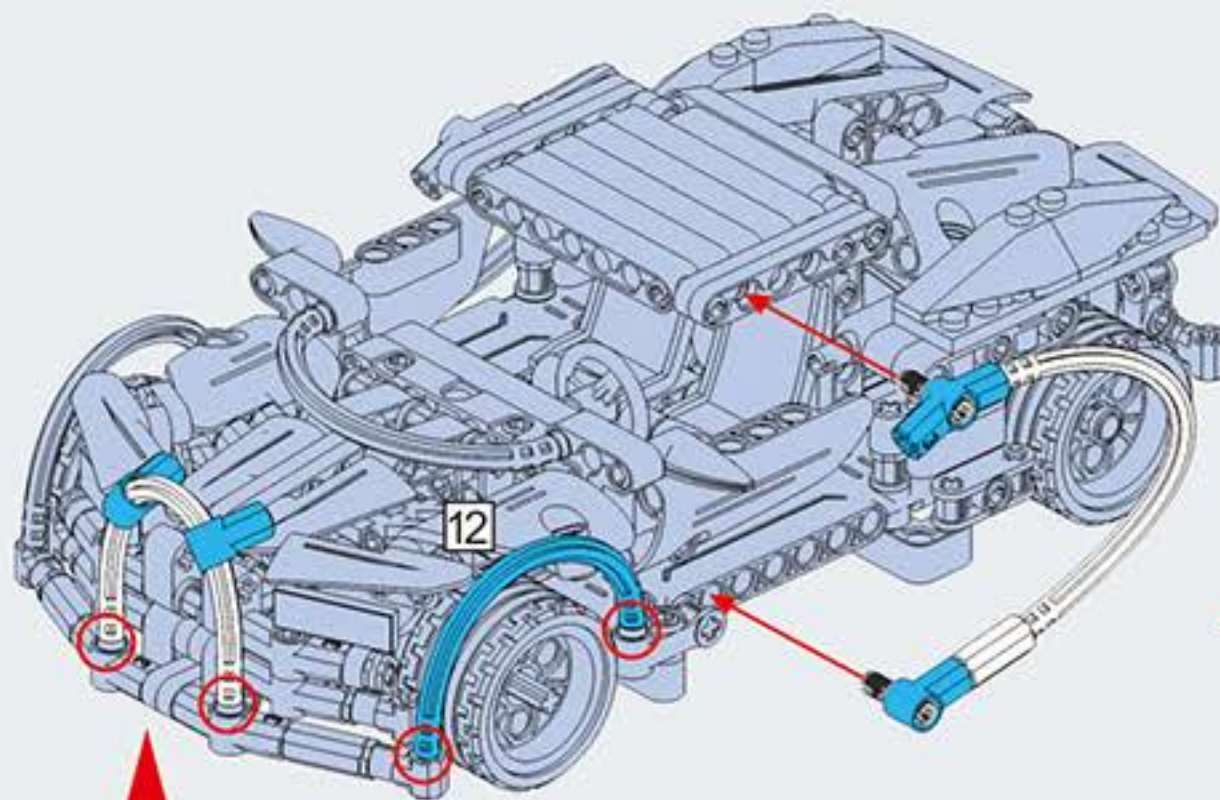


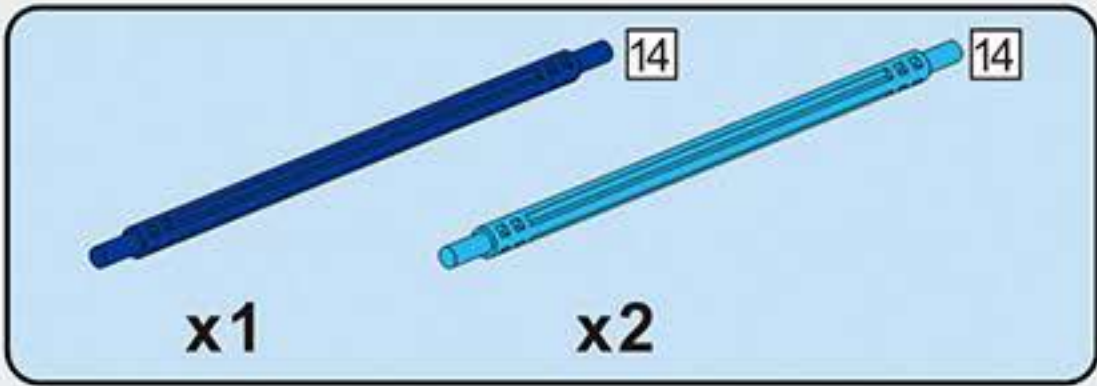
A35



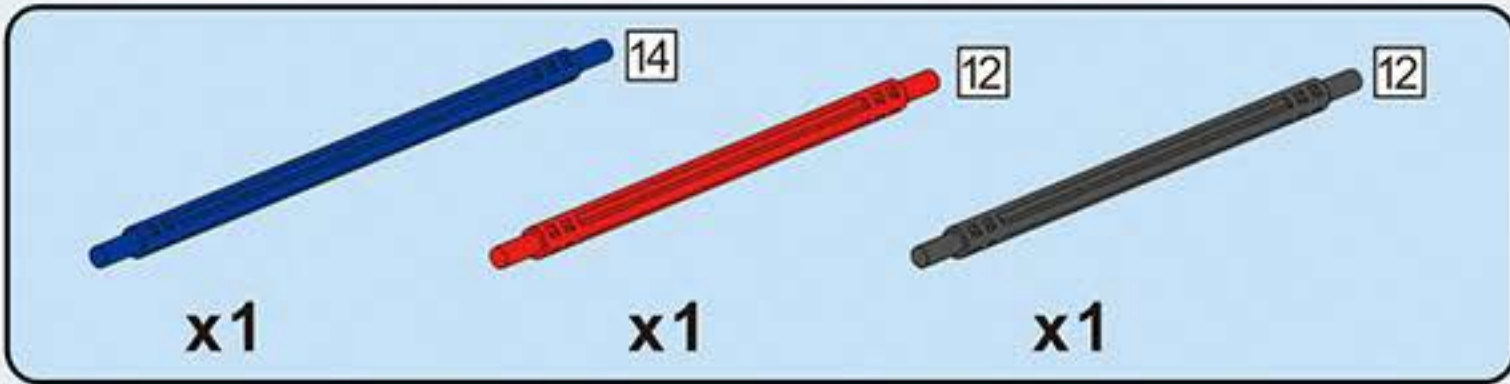
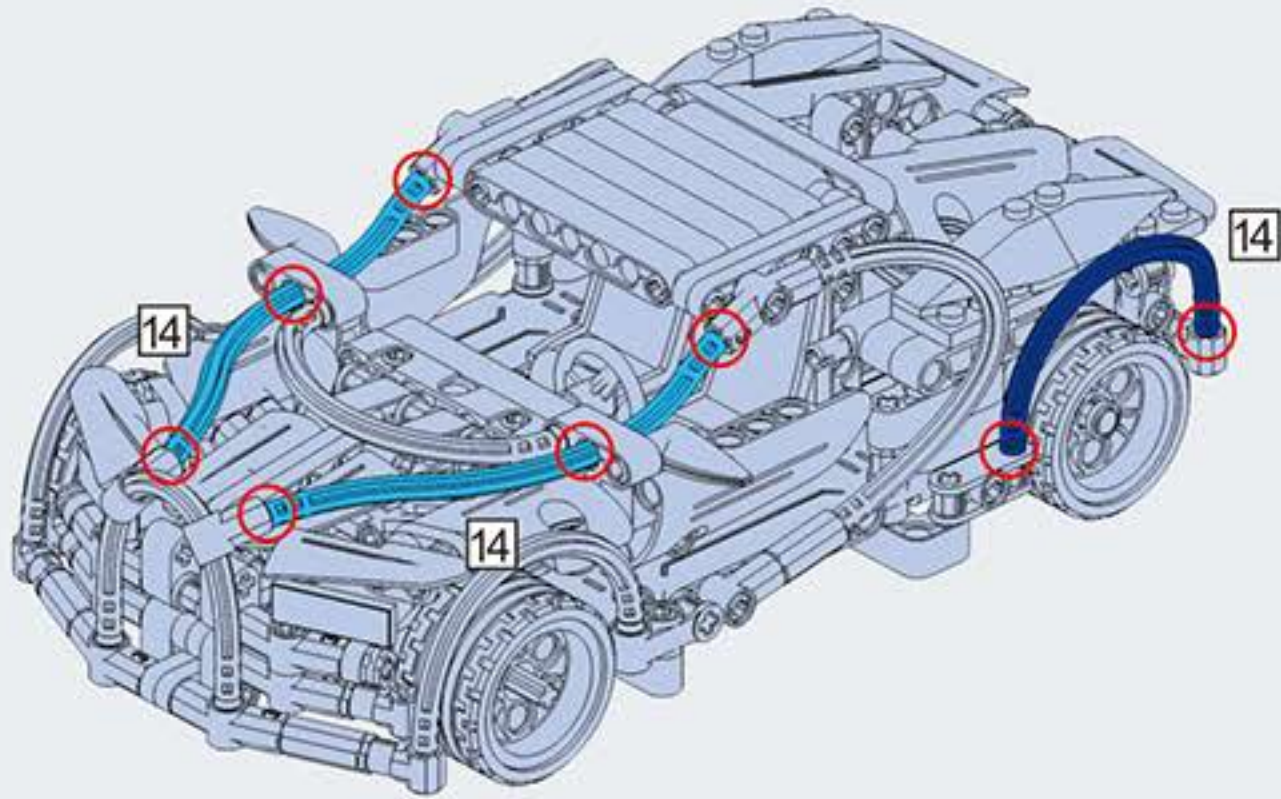


A36

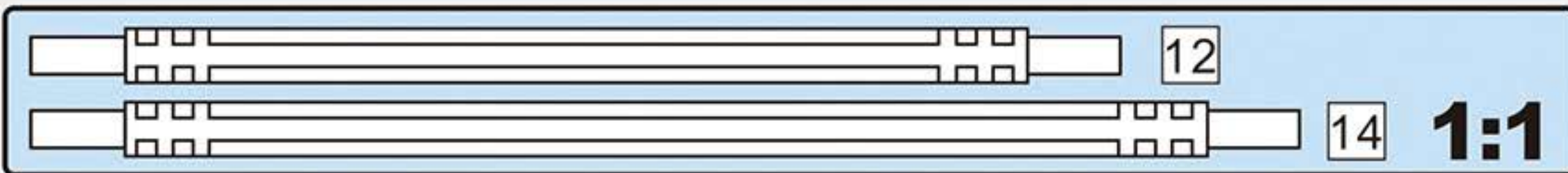
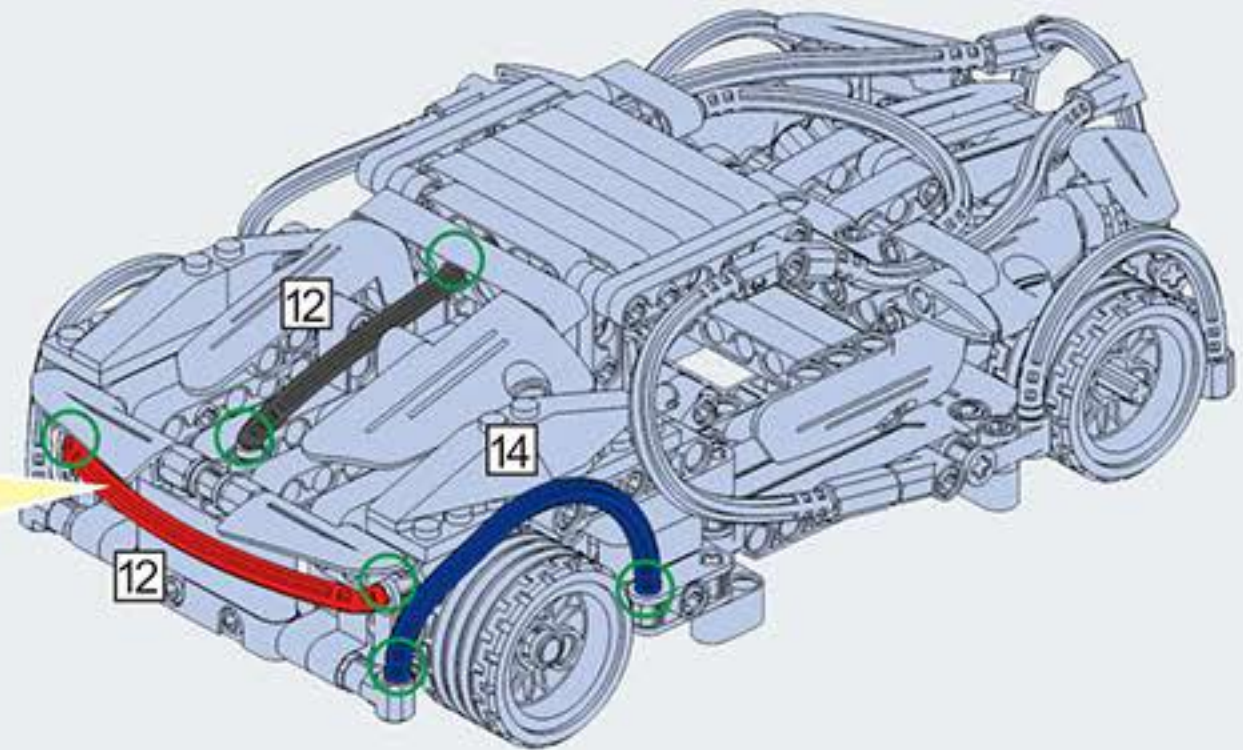
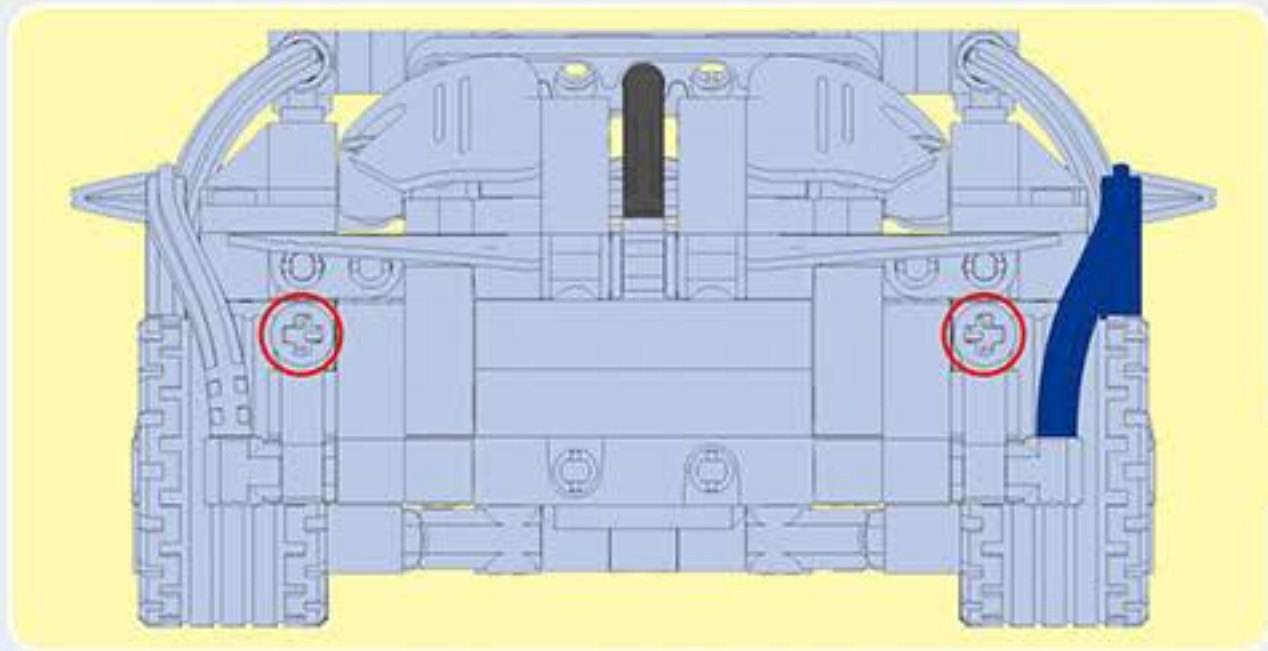




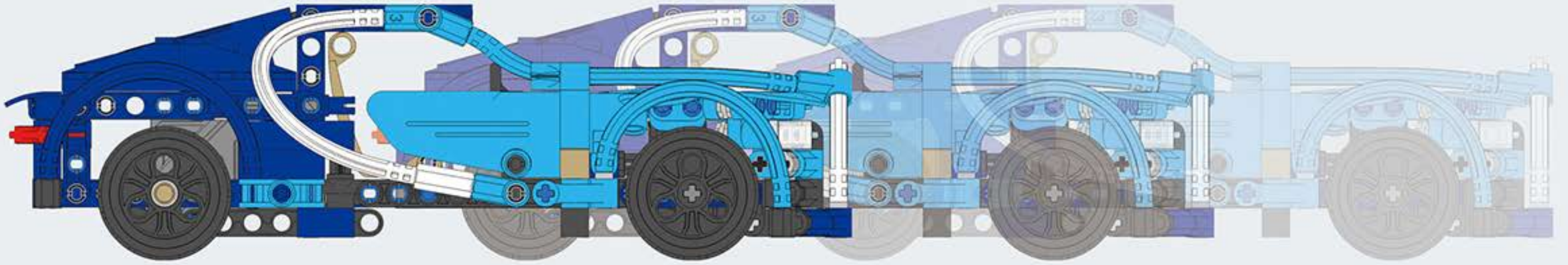
A37



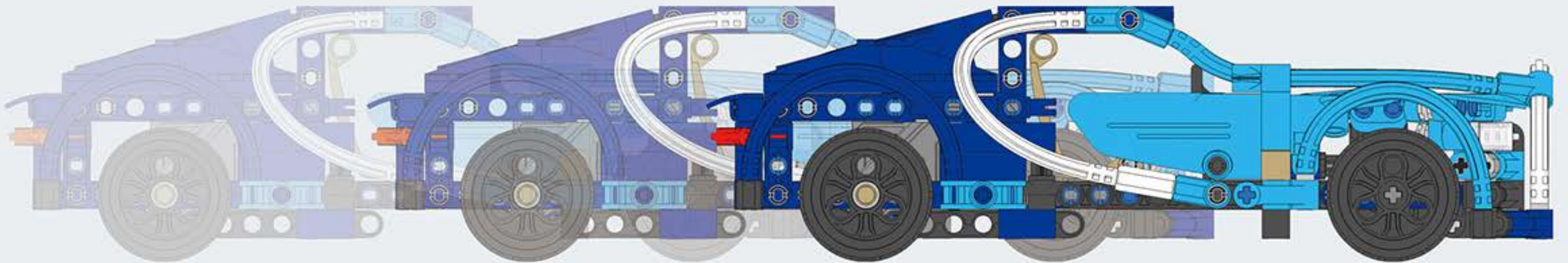
A38



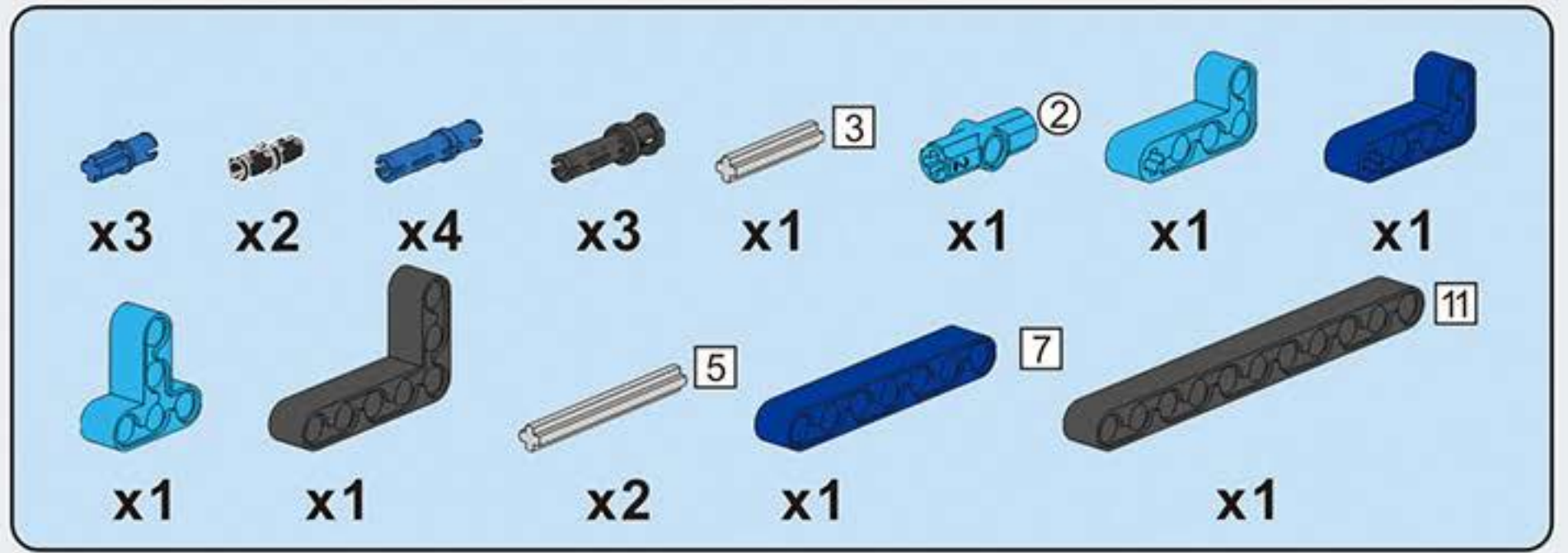
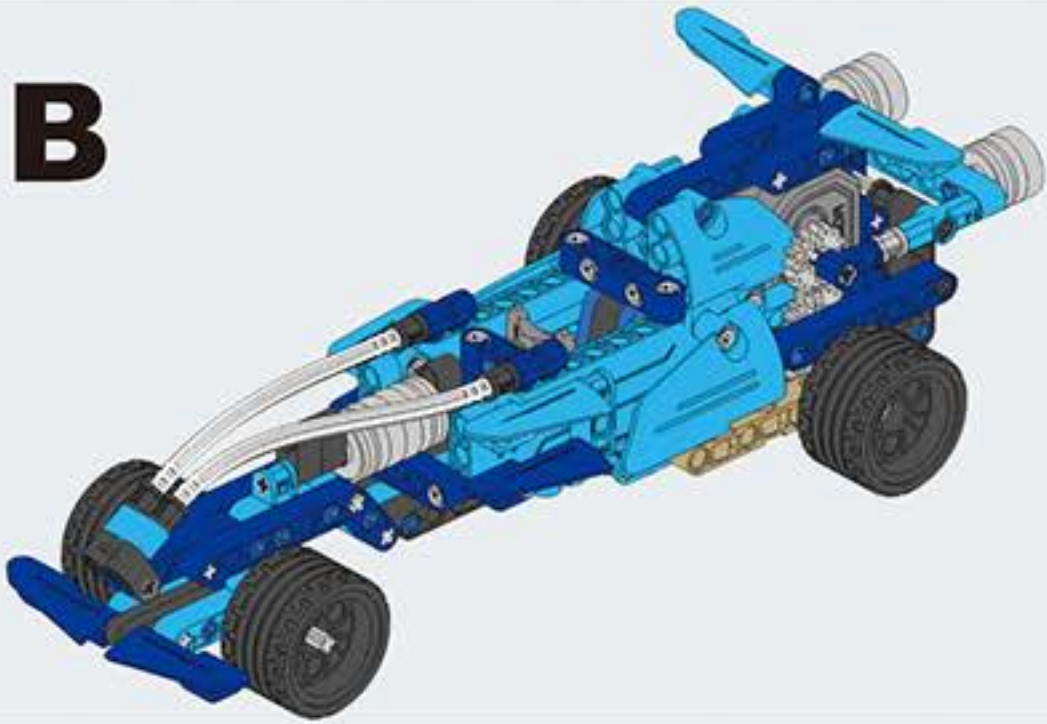
1



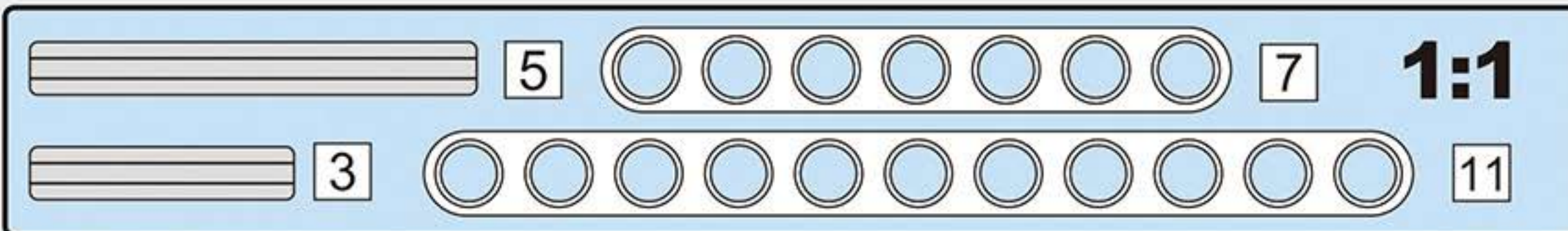
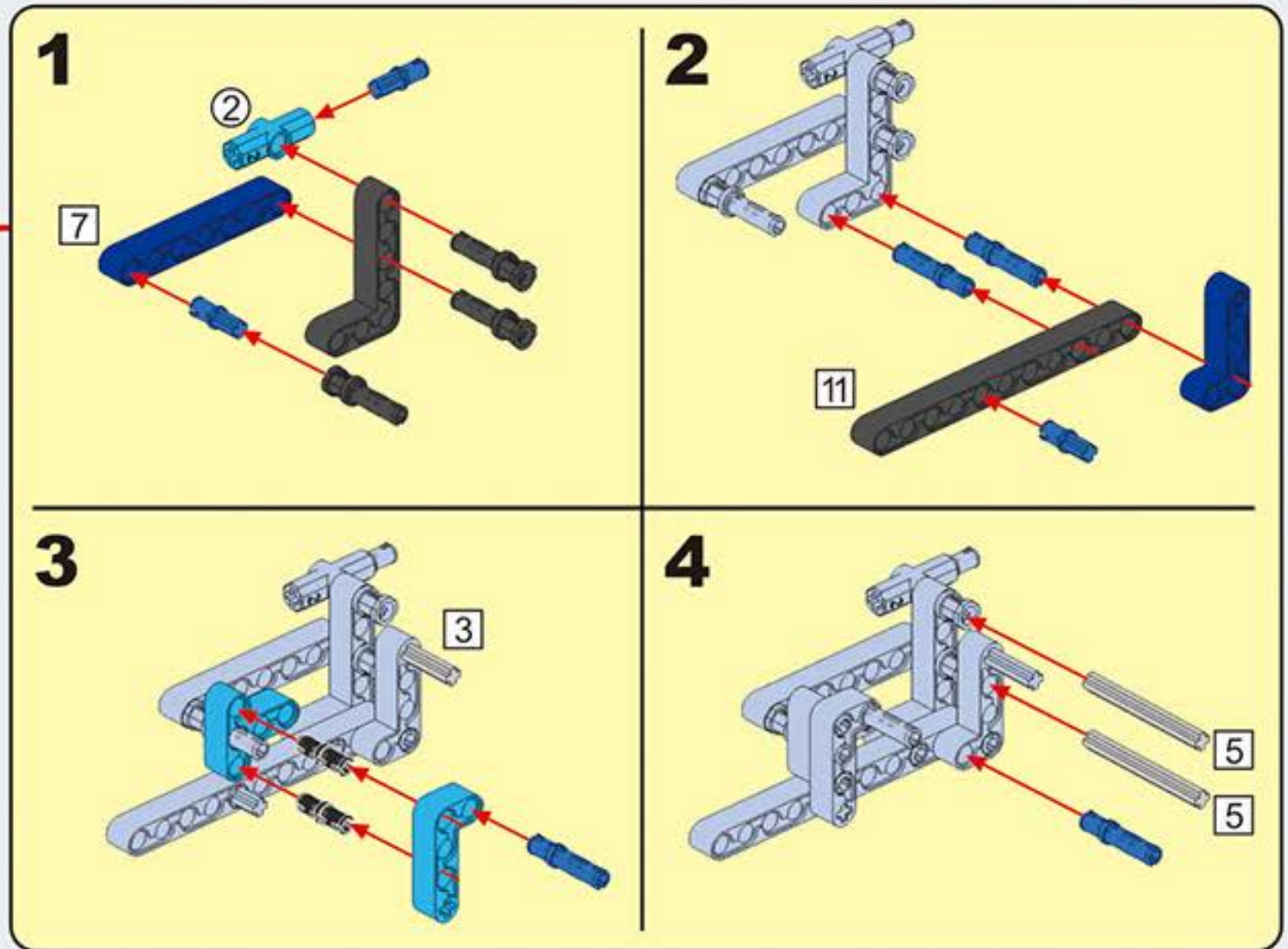
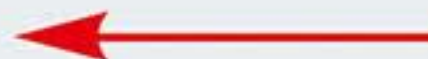
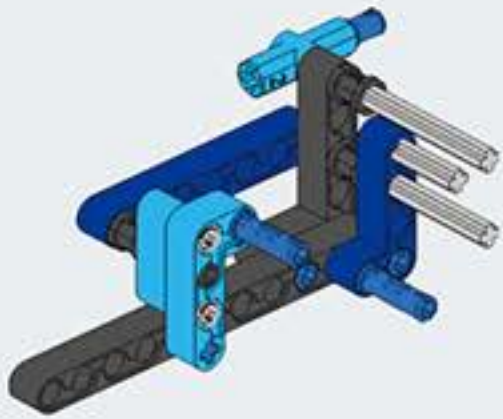
2

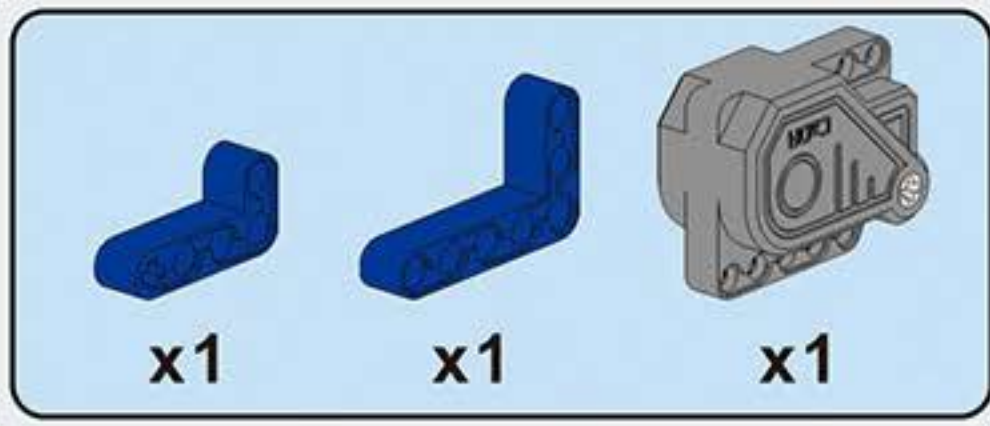


B

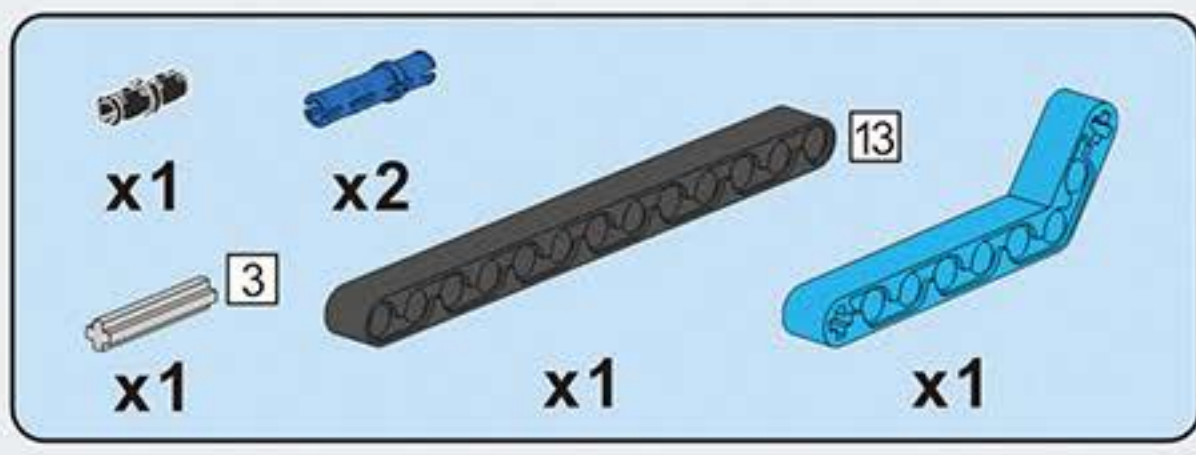
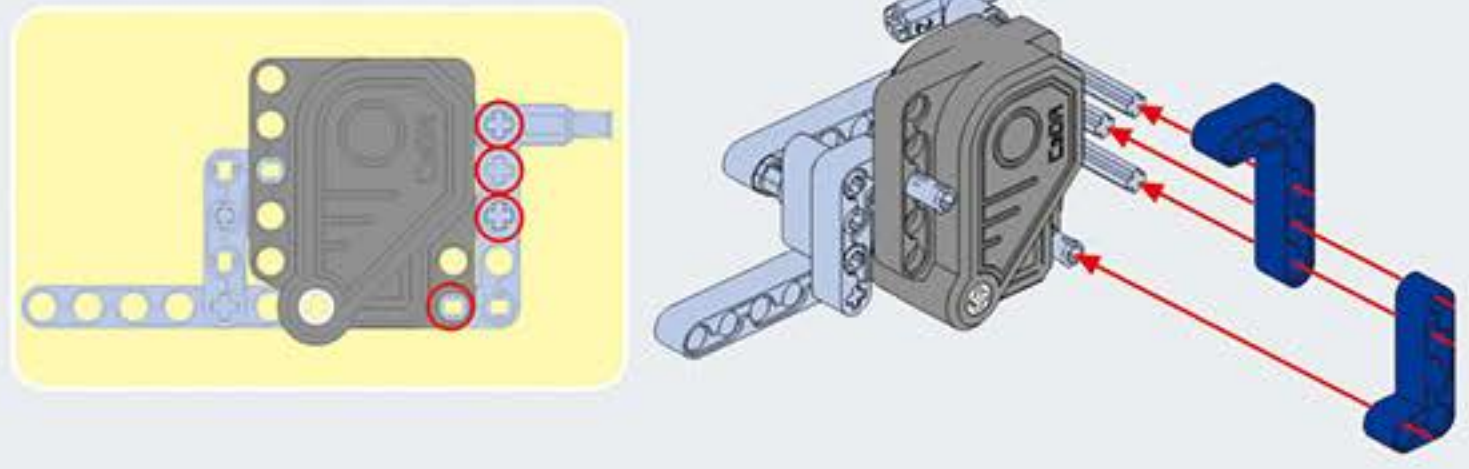


B1

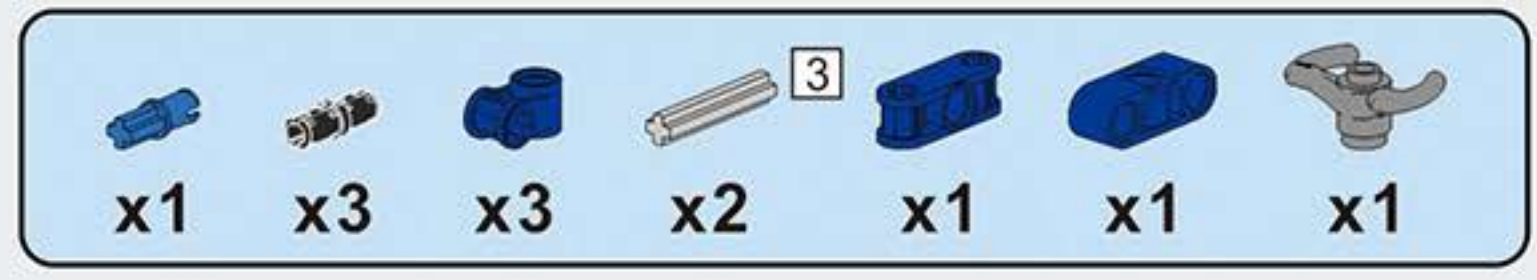
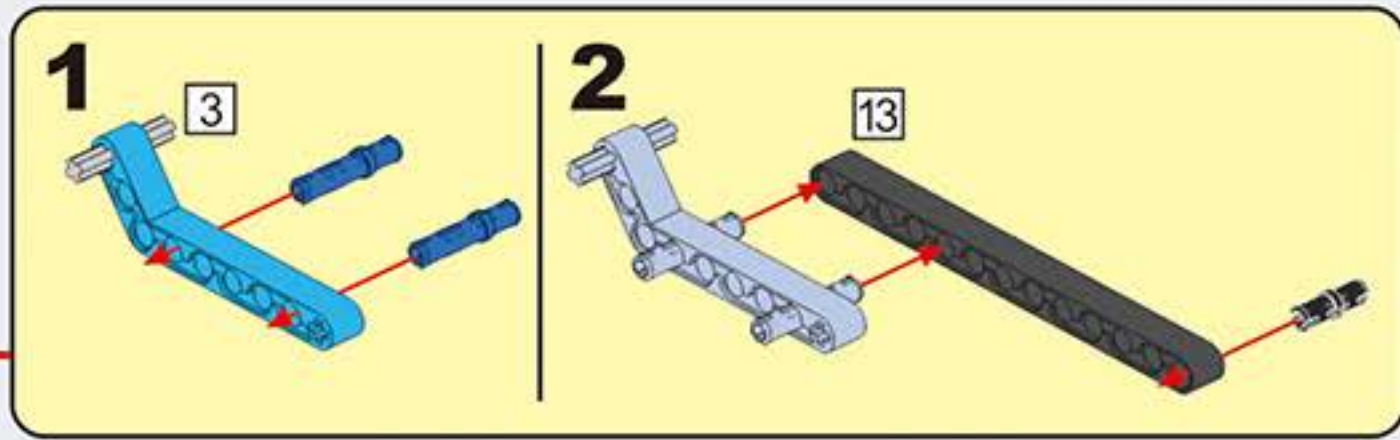
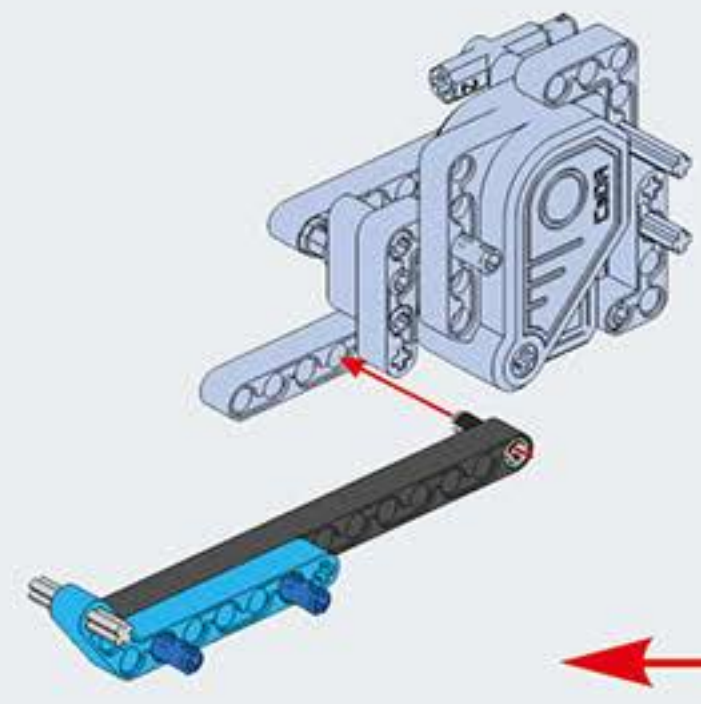




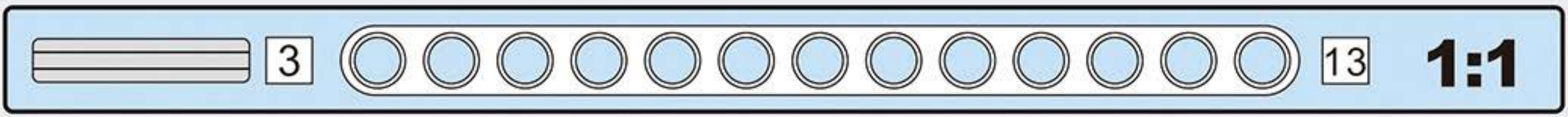
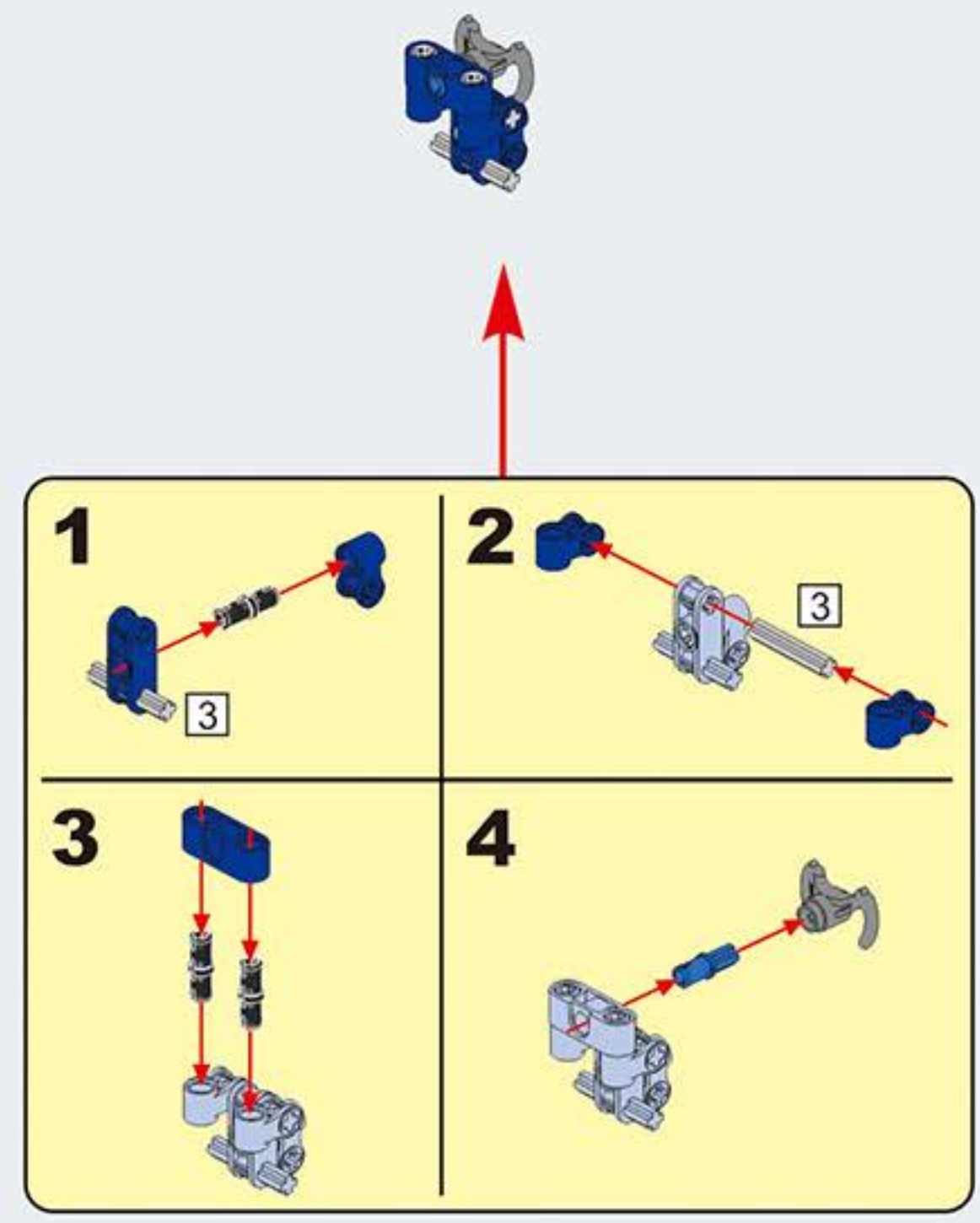
B2

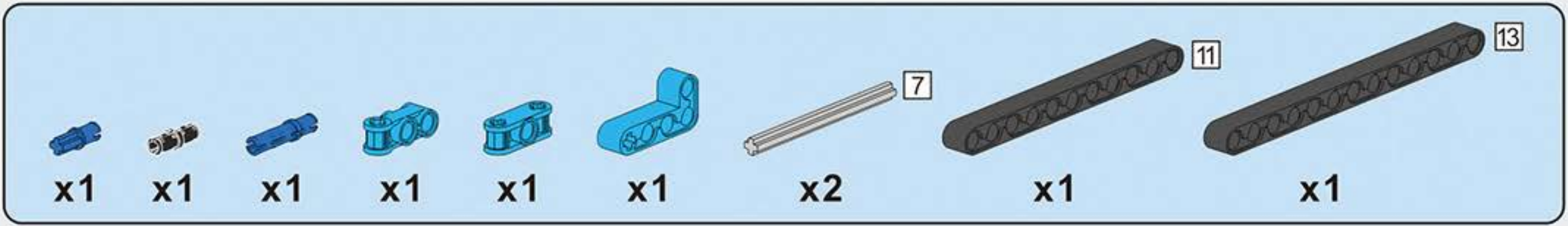


B3

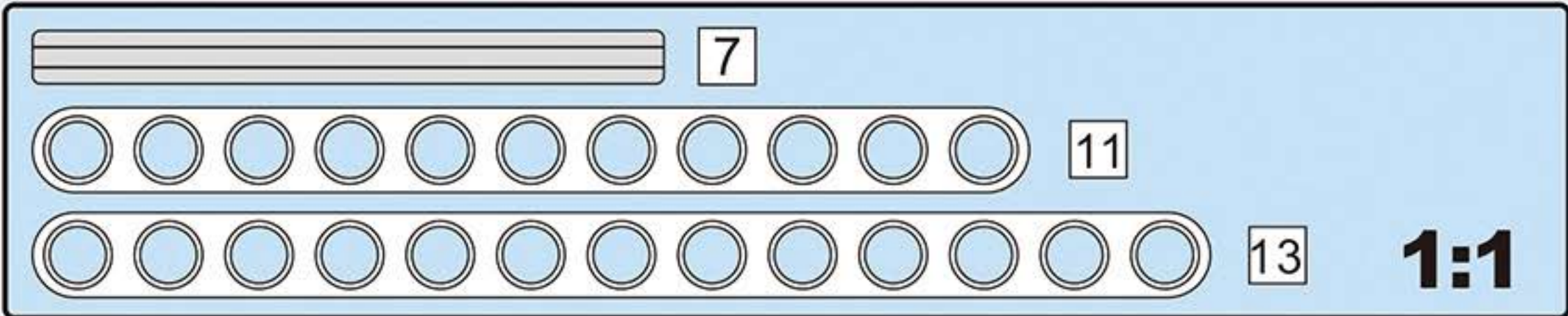
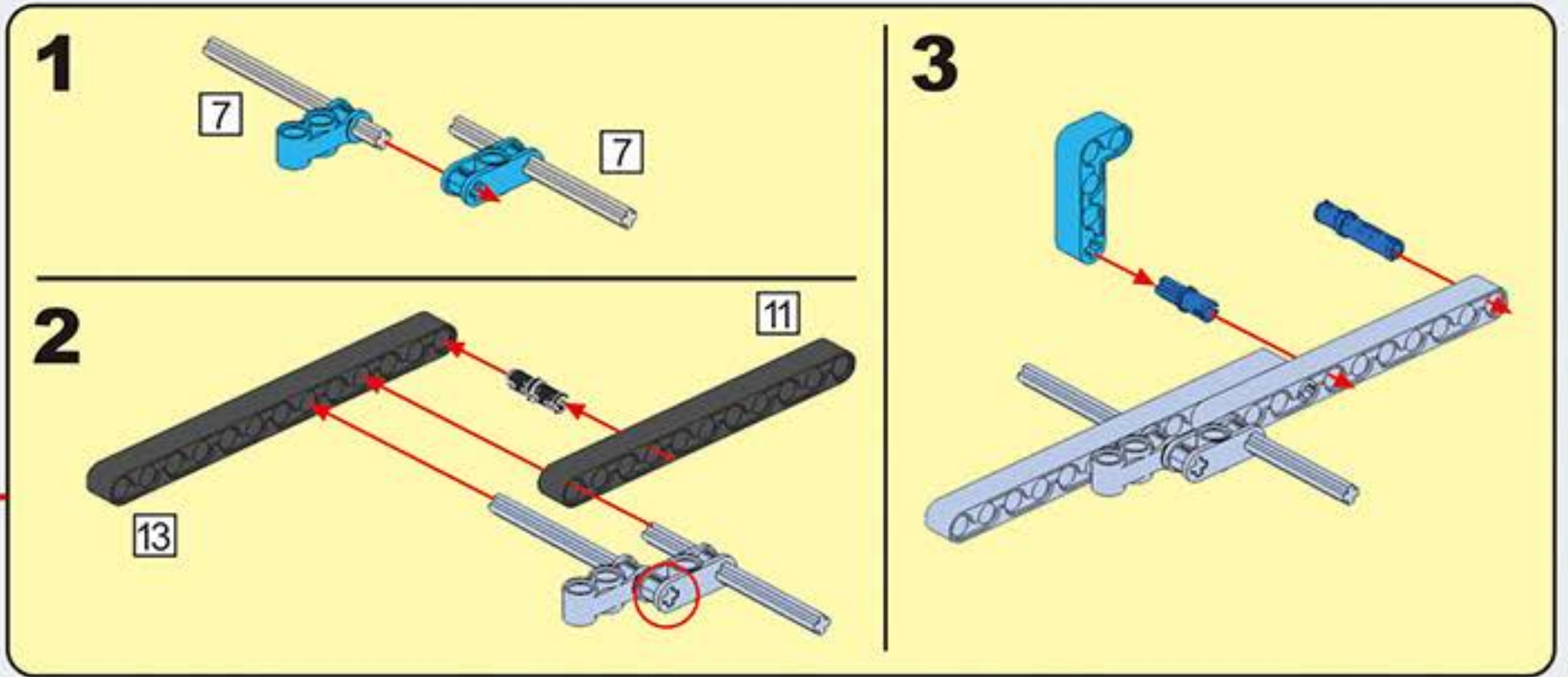
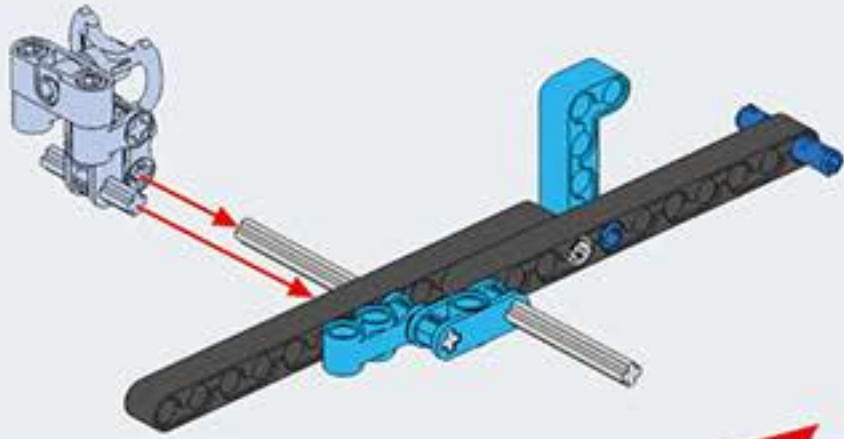


B4



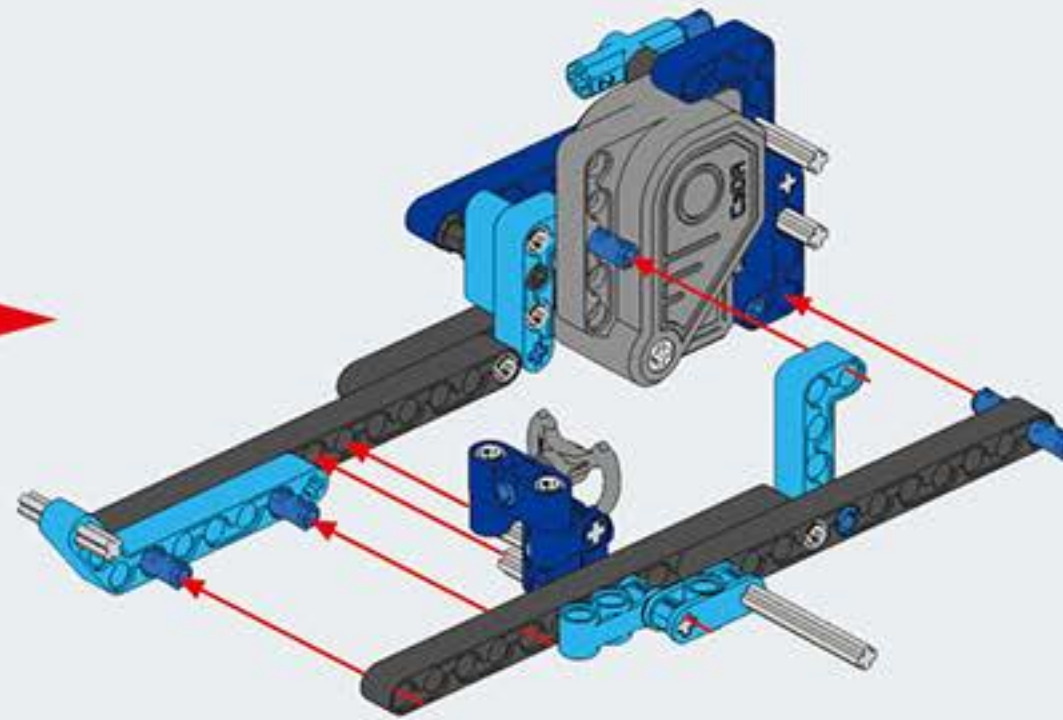


B5

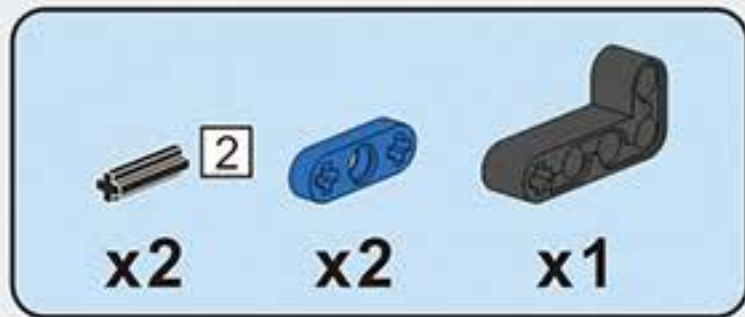


B6

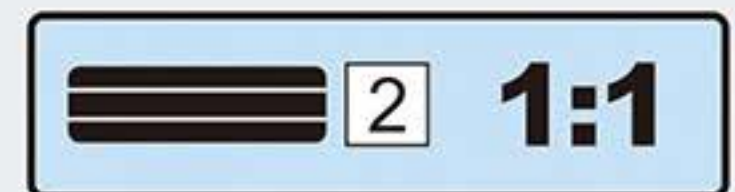
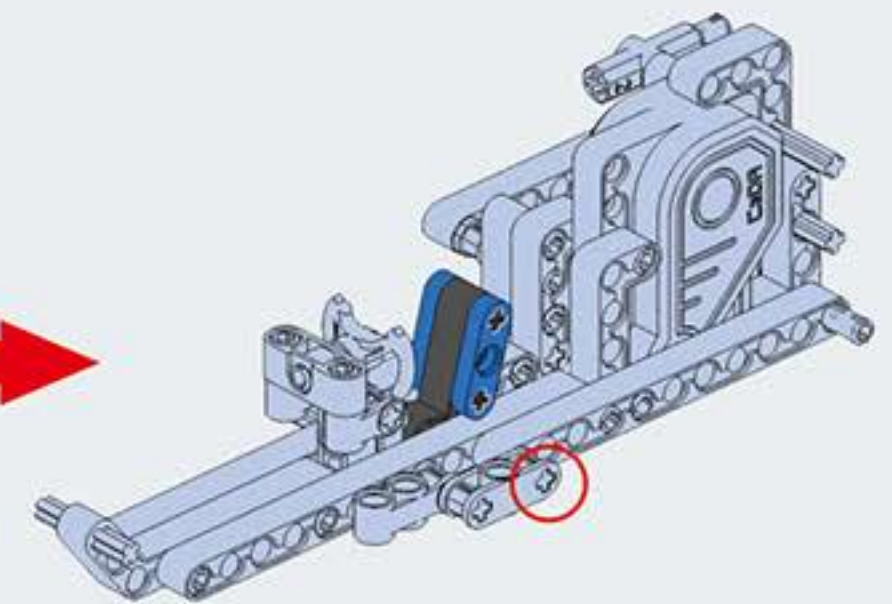
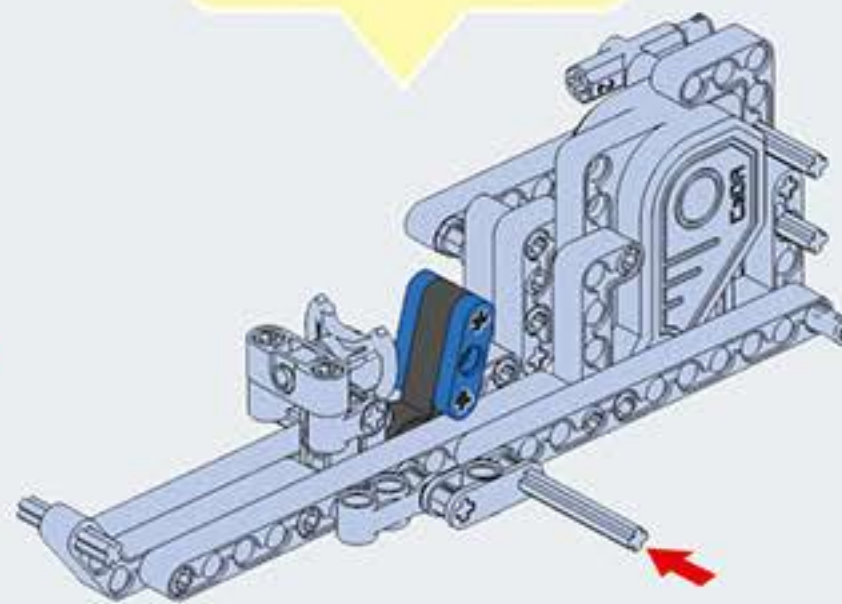
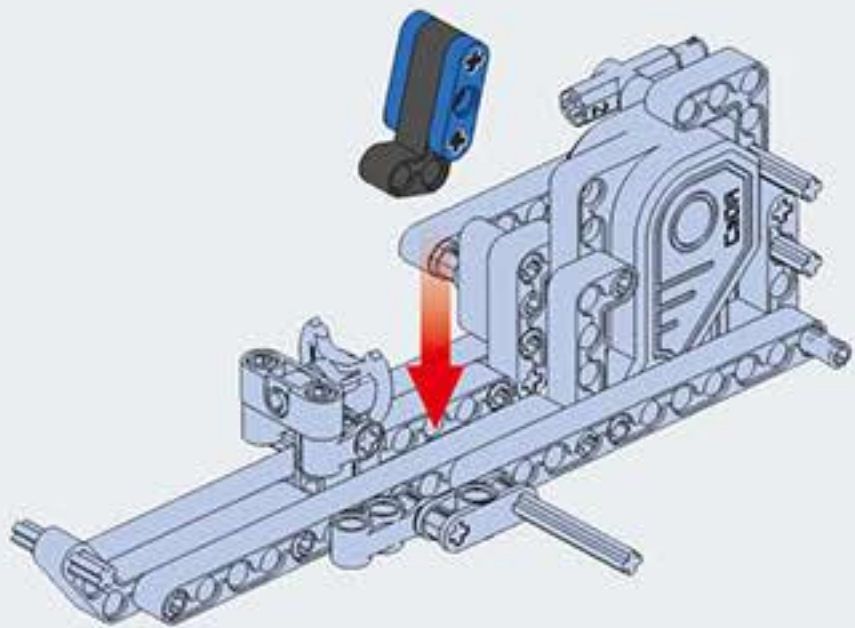
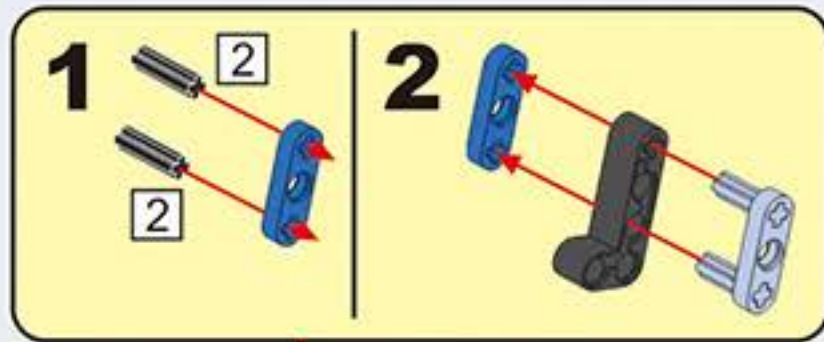
B3 →

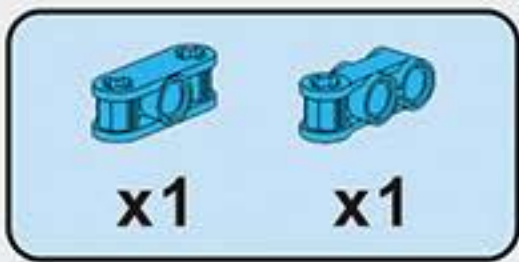


← **B5**

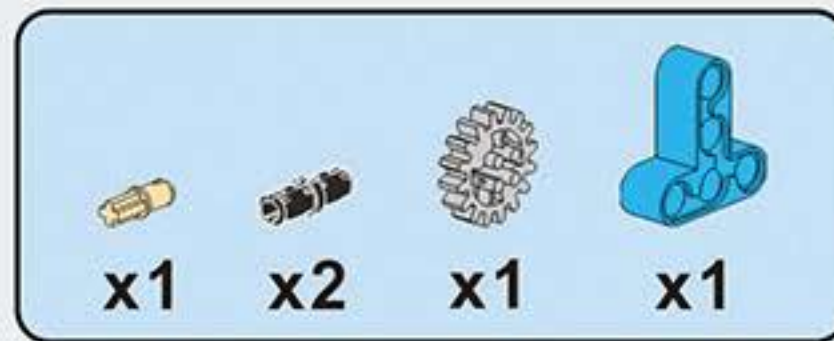
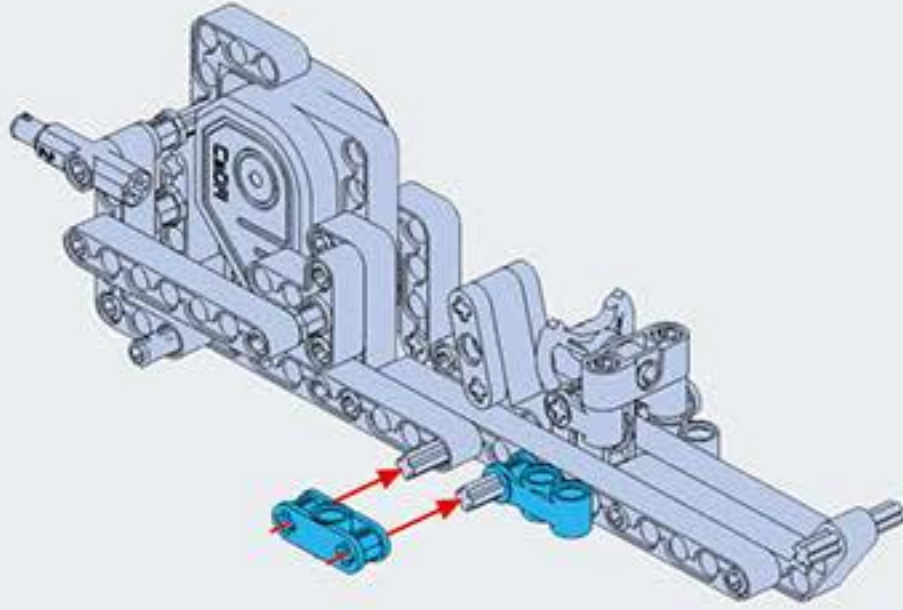


B7

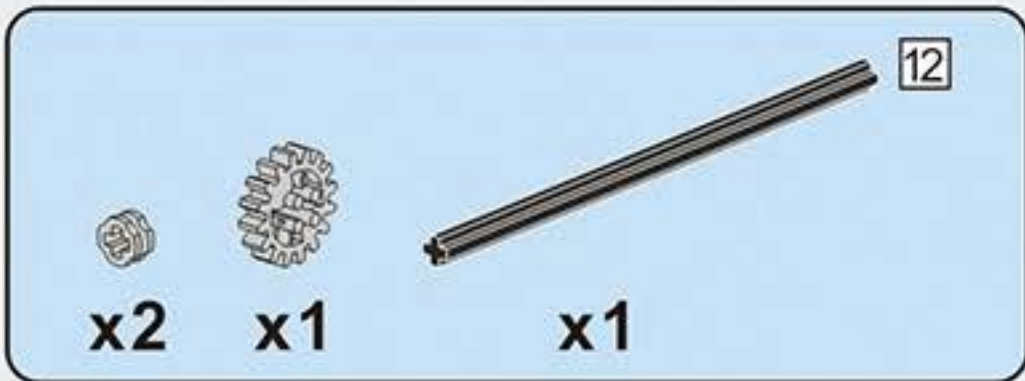
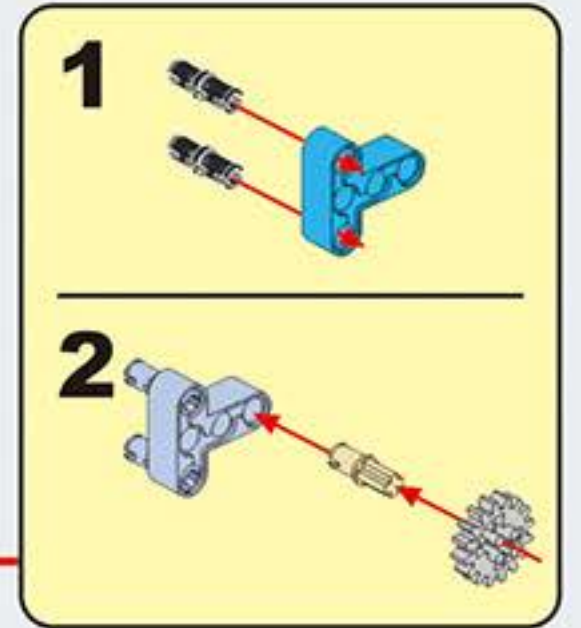
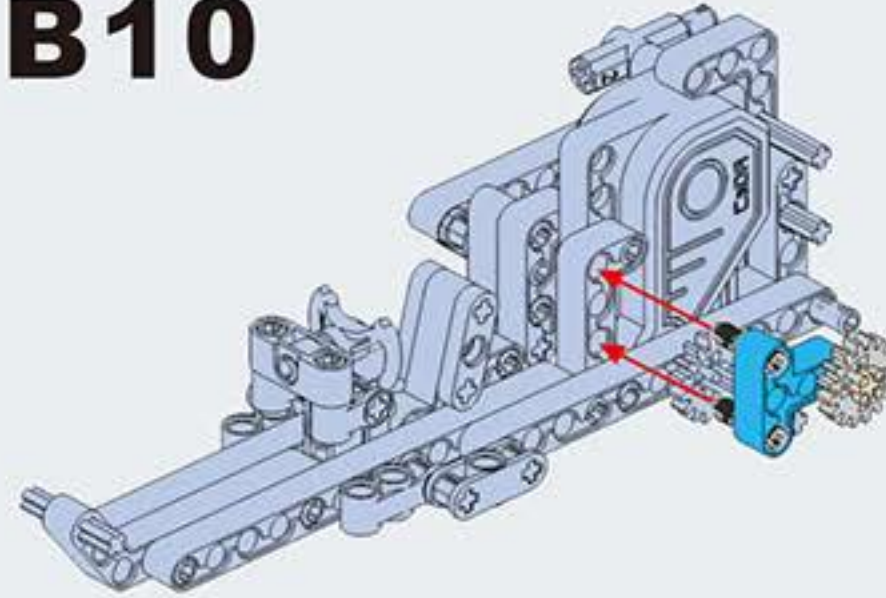




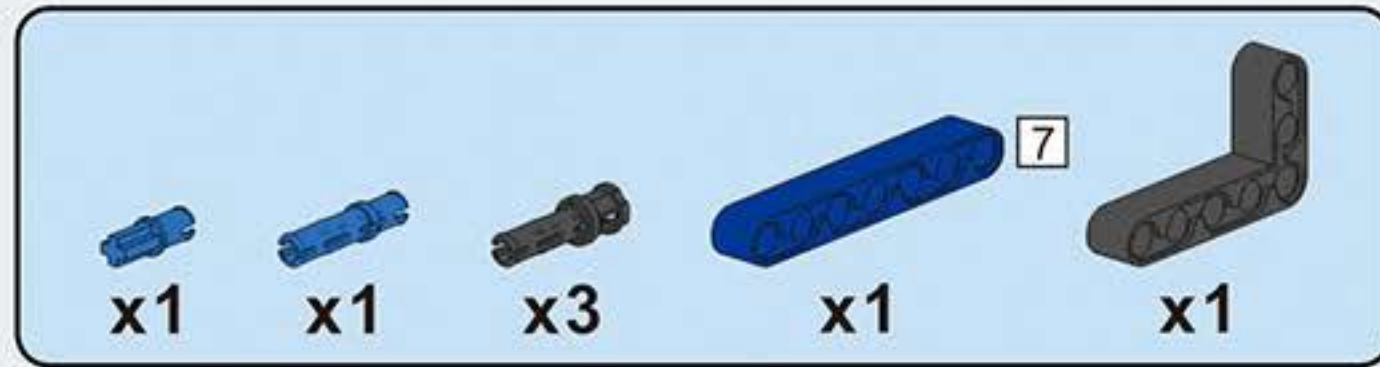
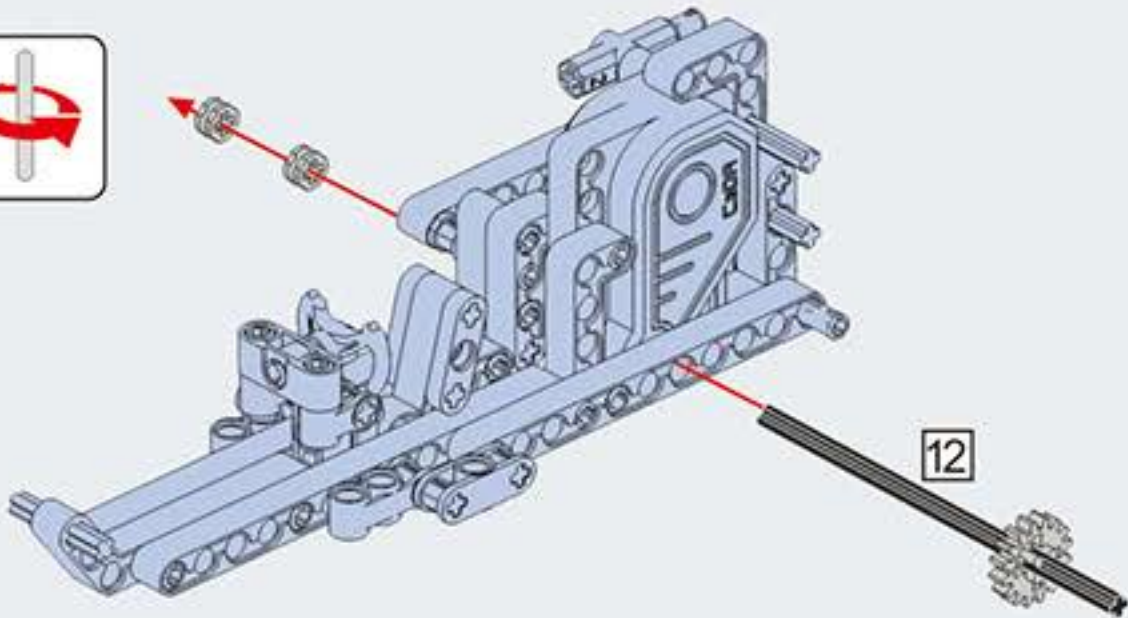
B8



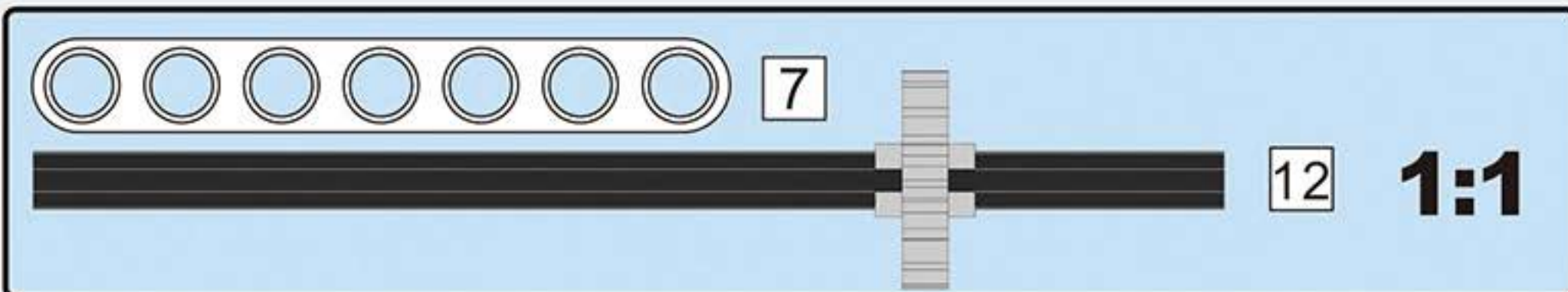
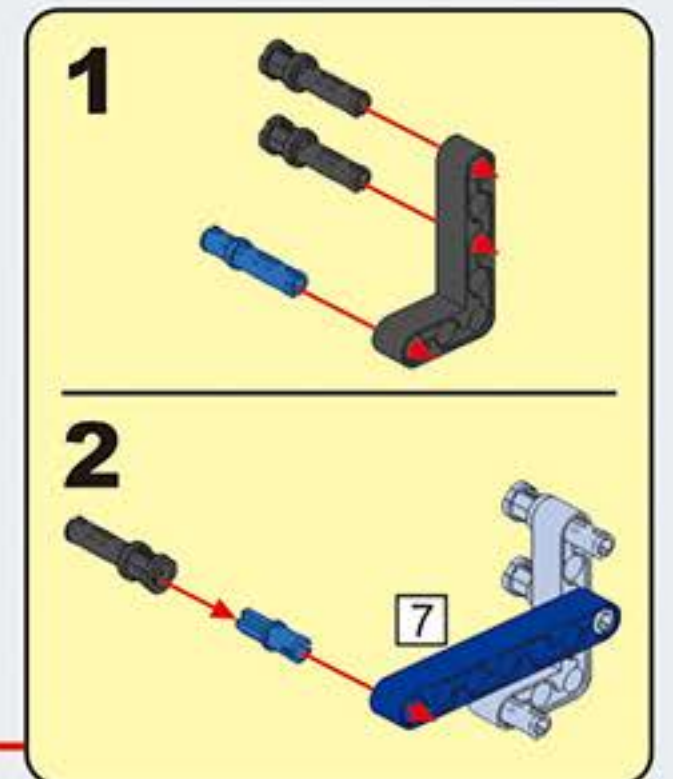
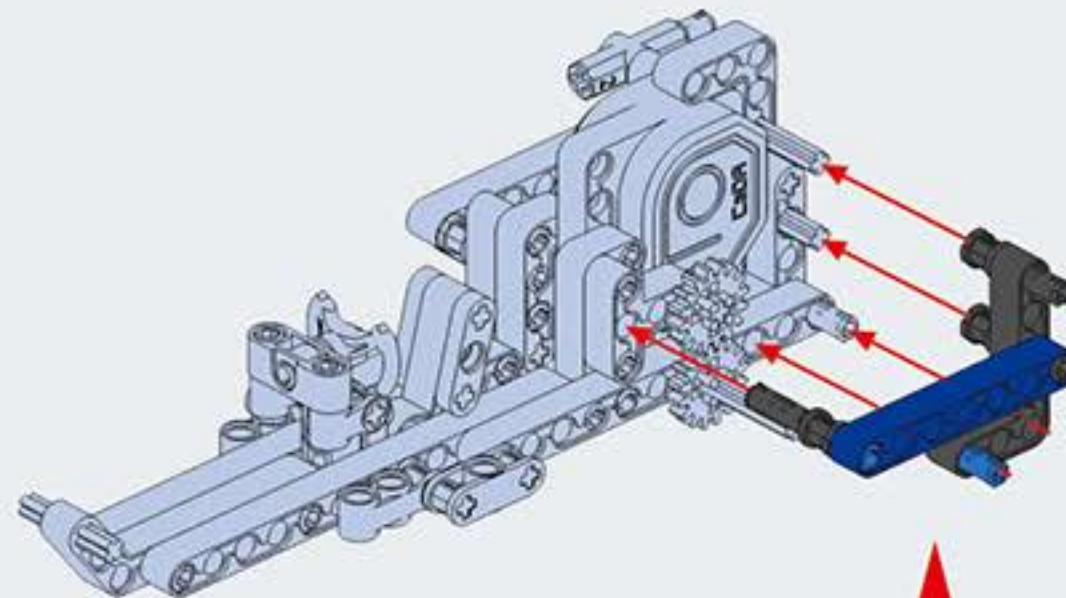
B10

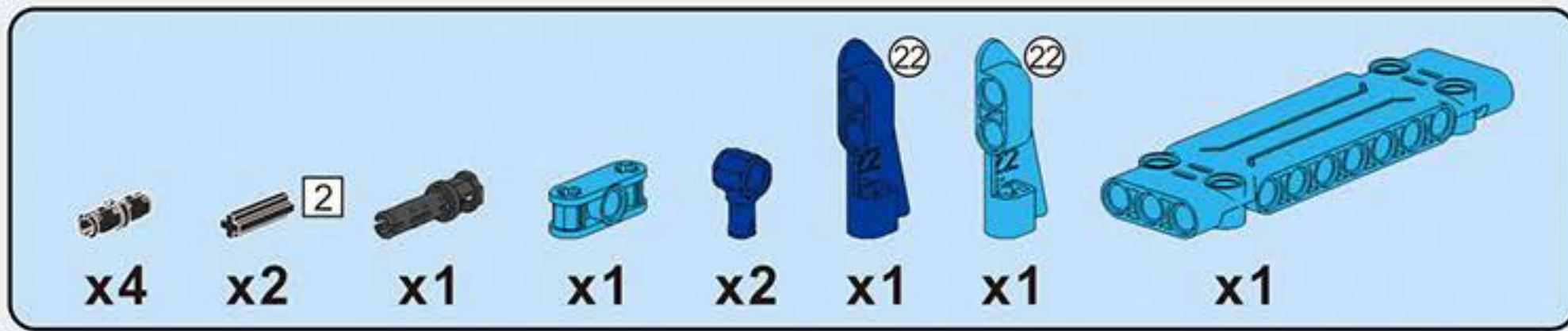


B9

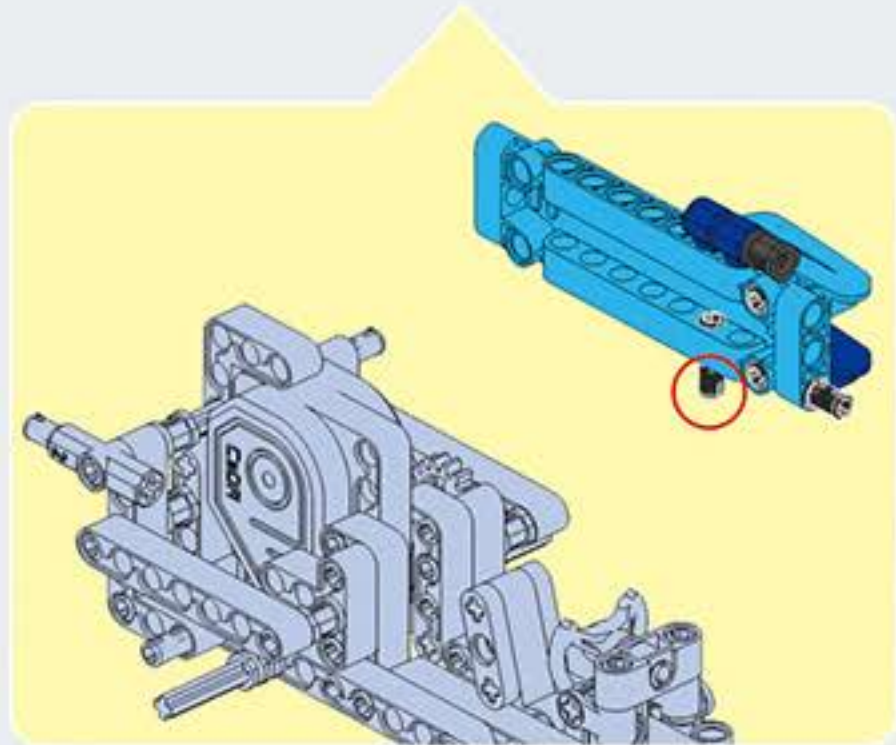
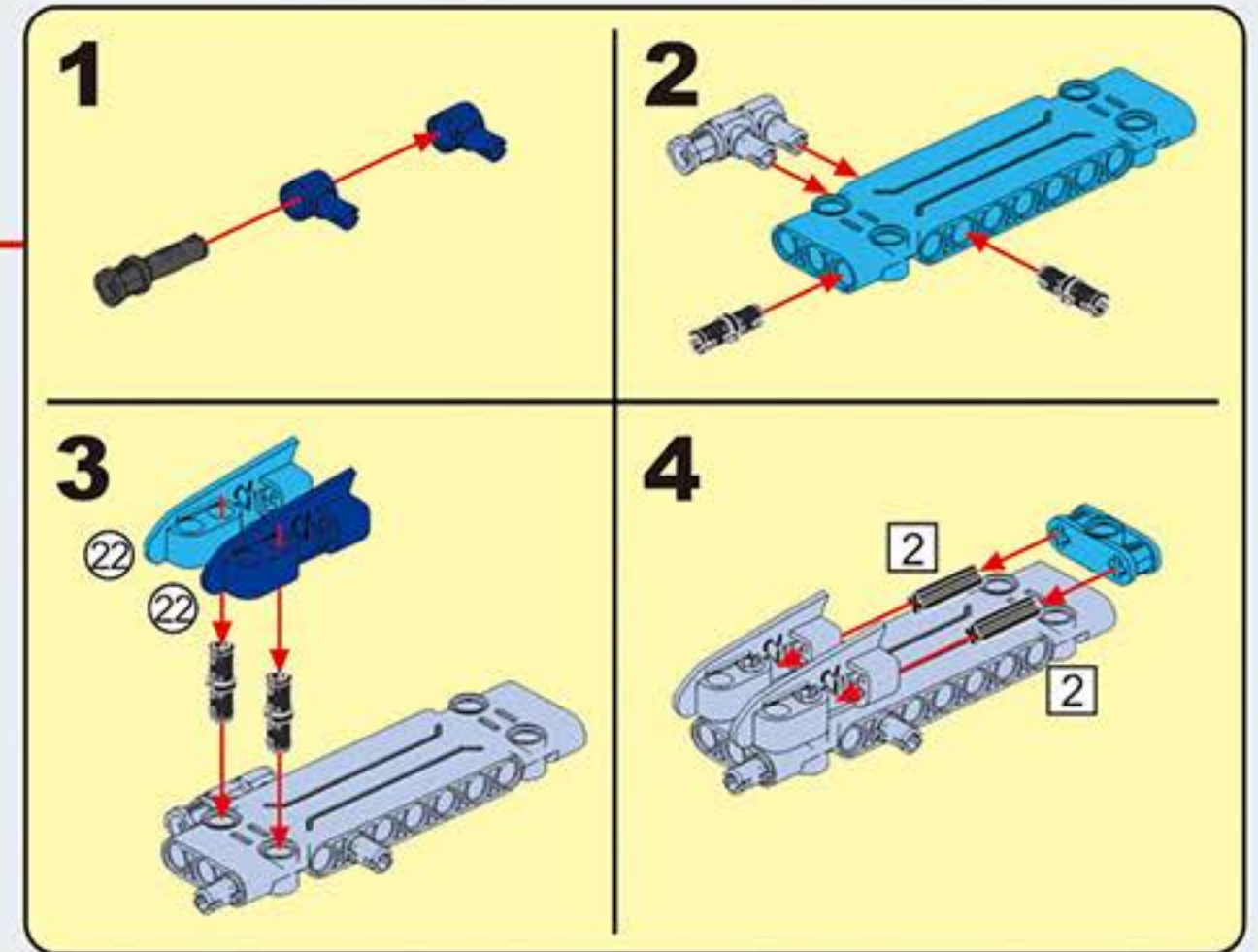
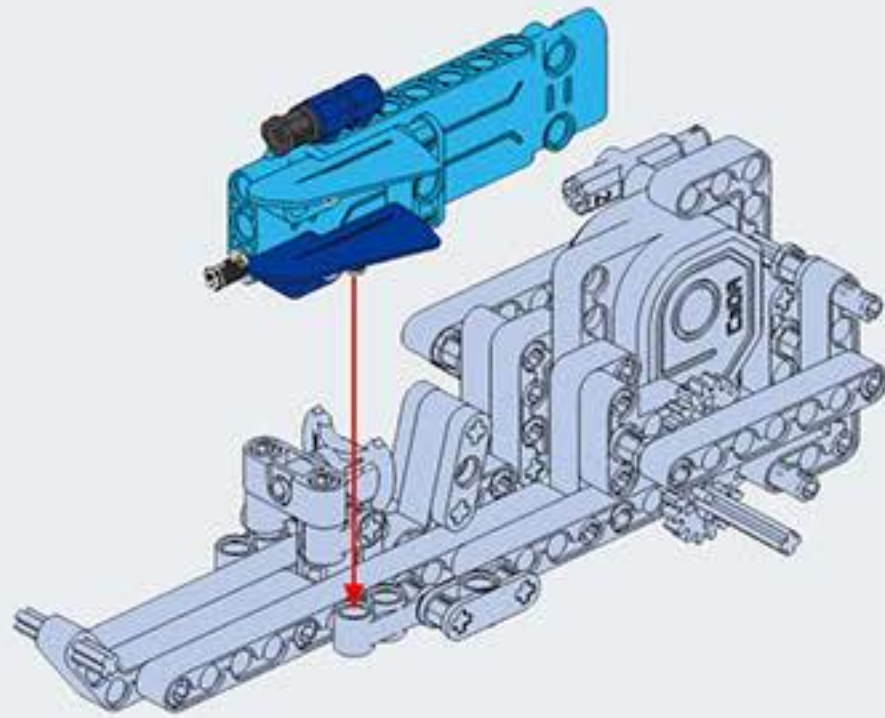


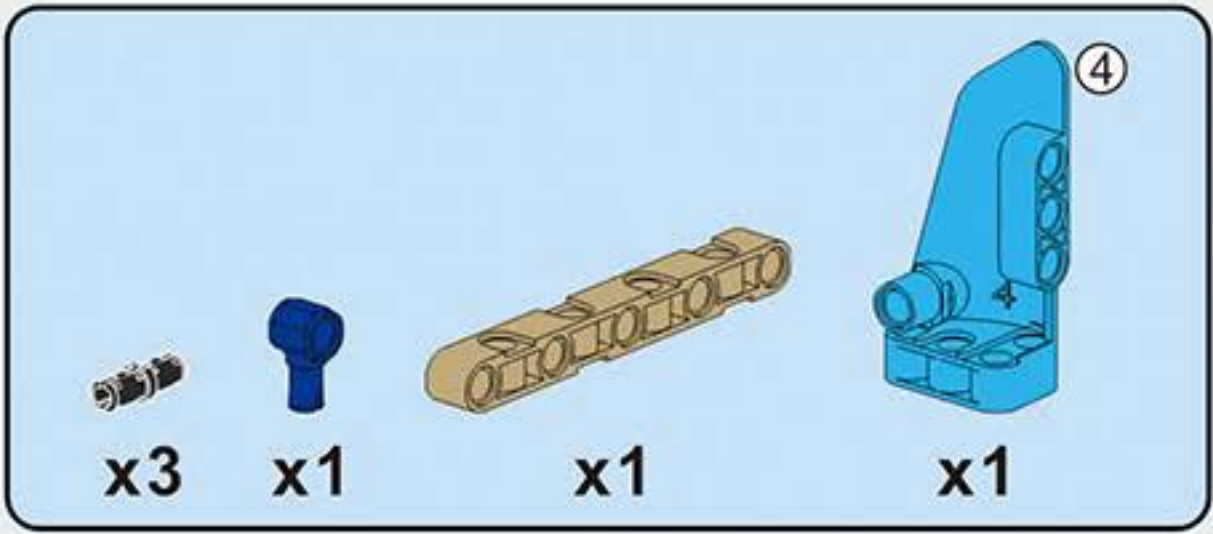
B11



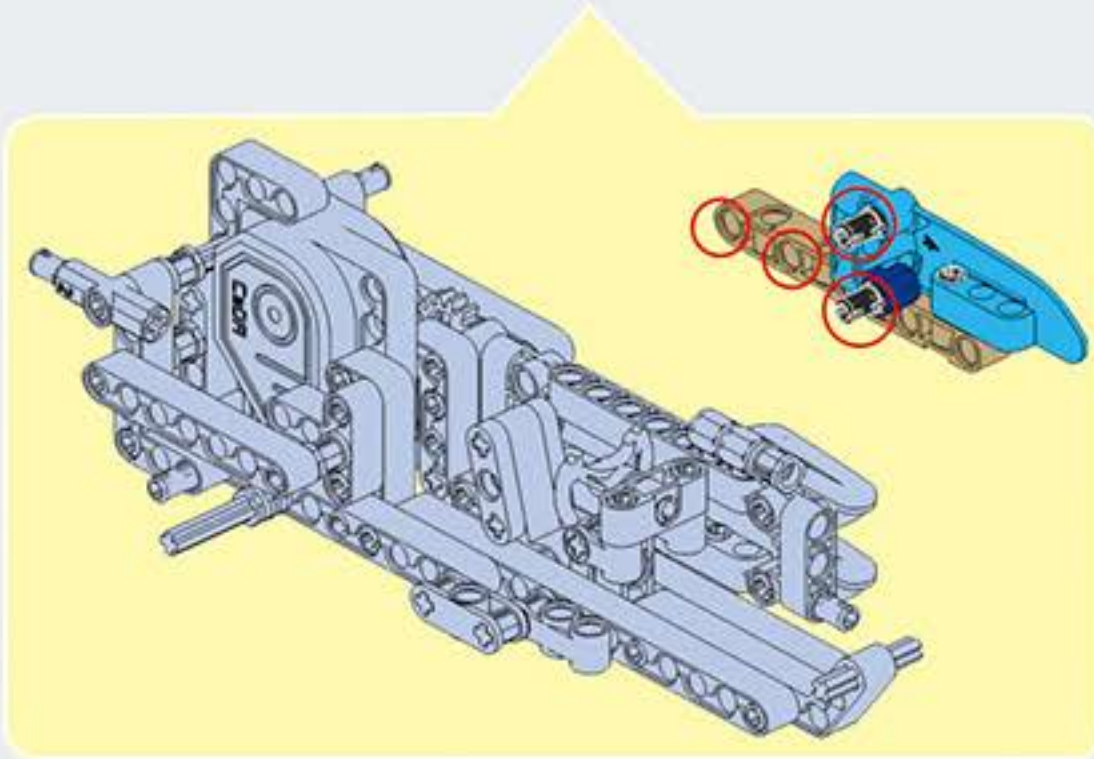
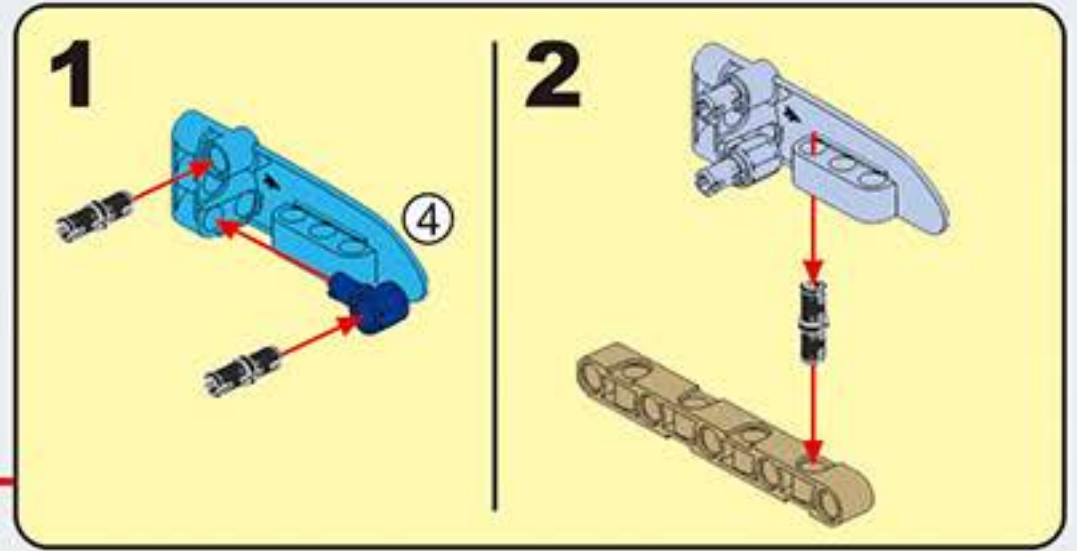
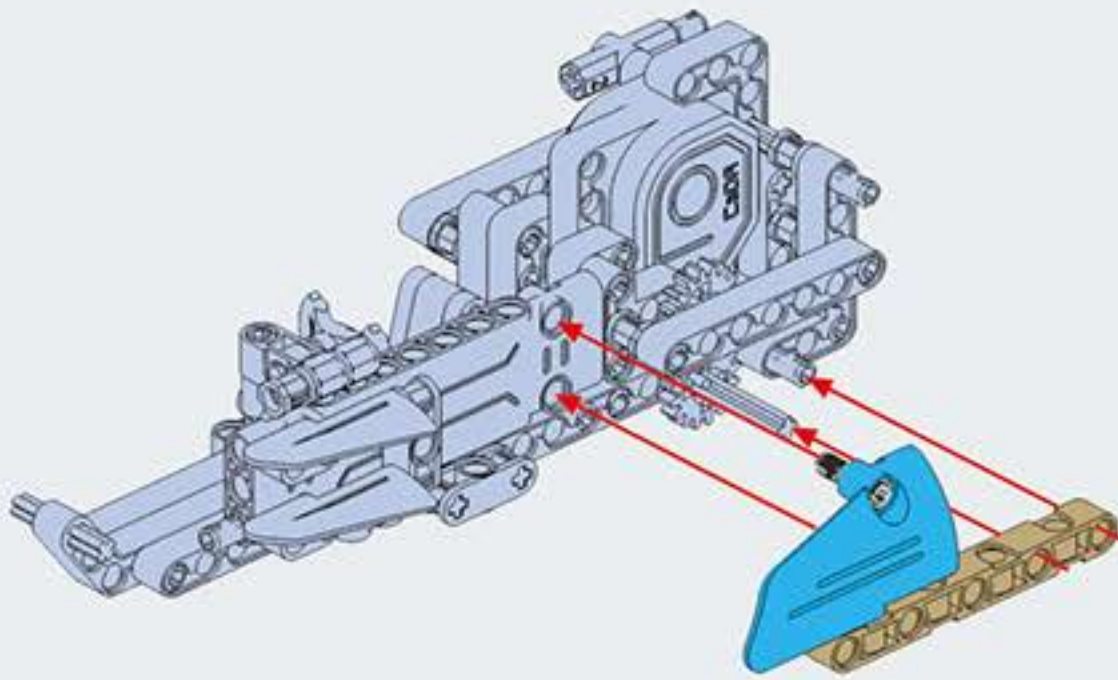


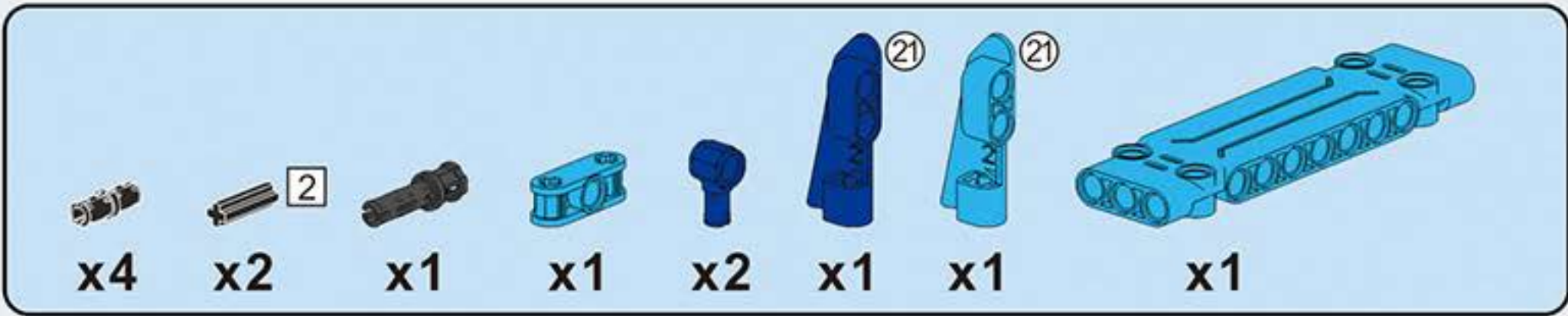
B12



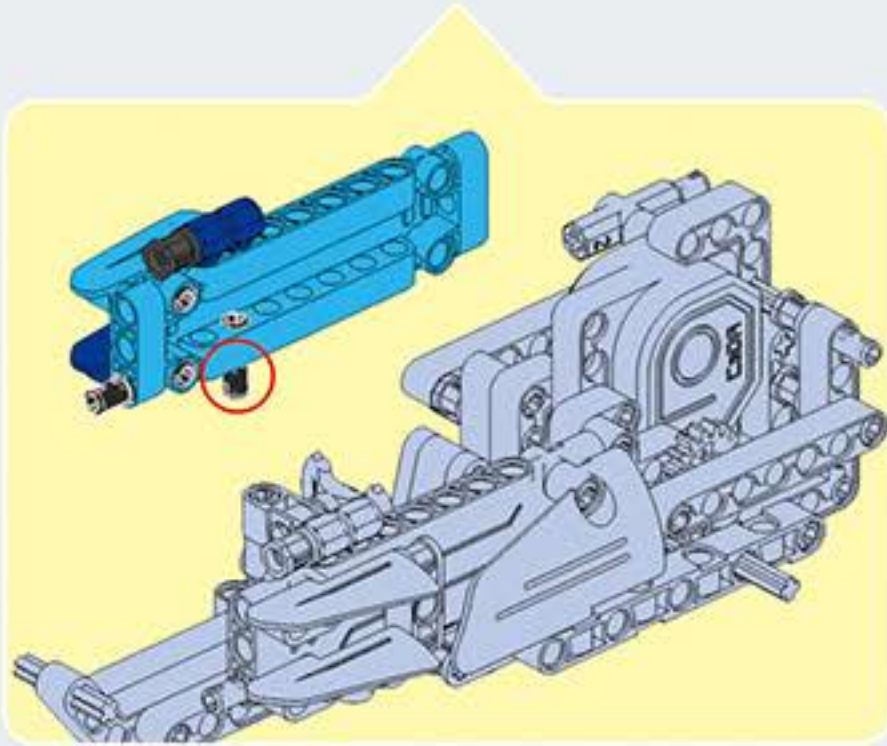
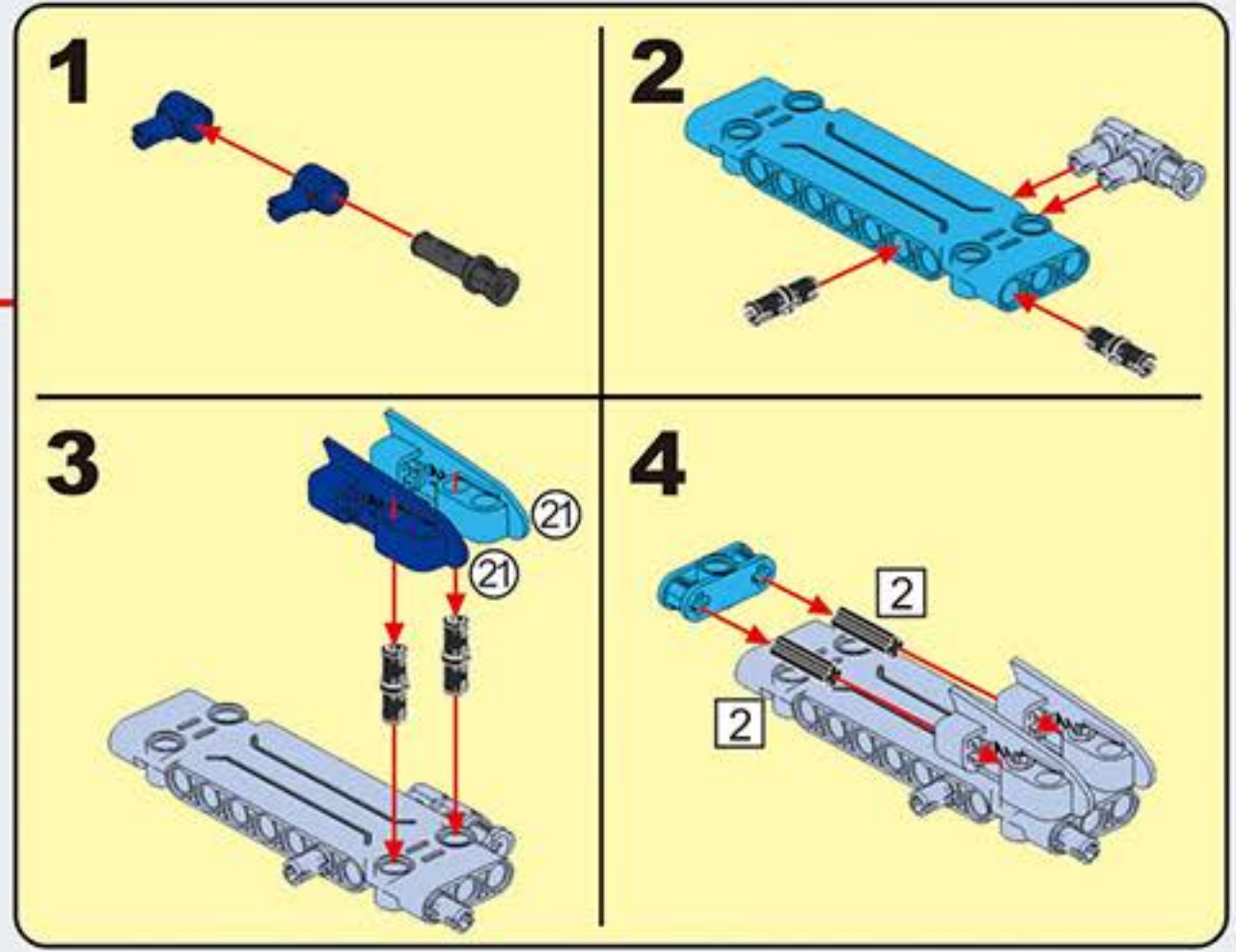
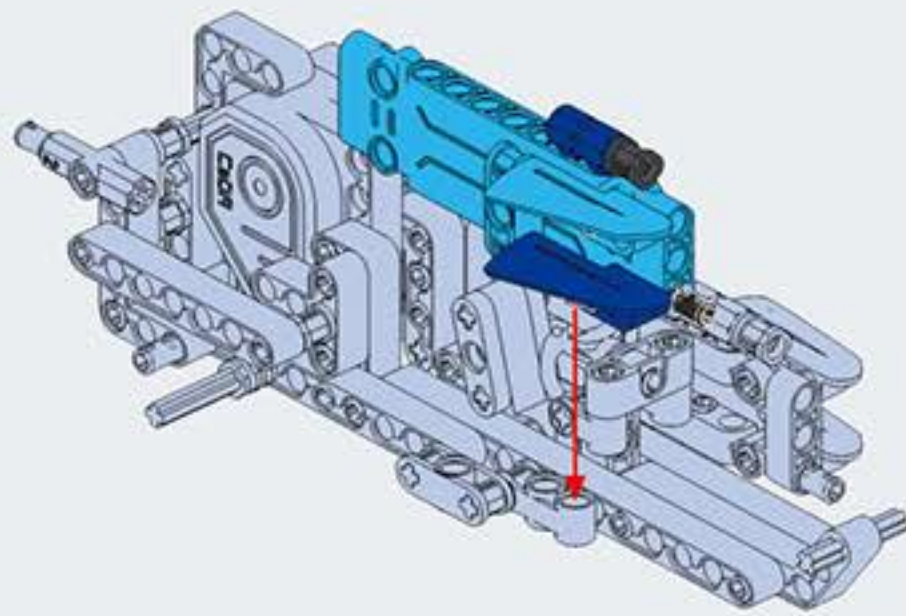


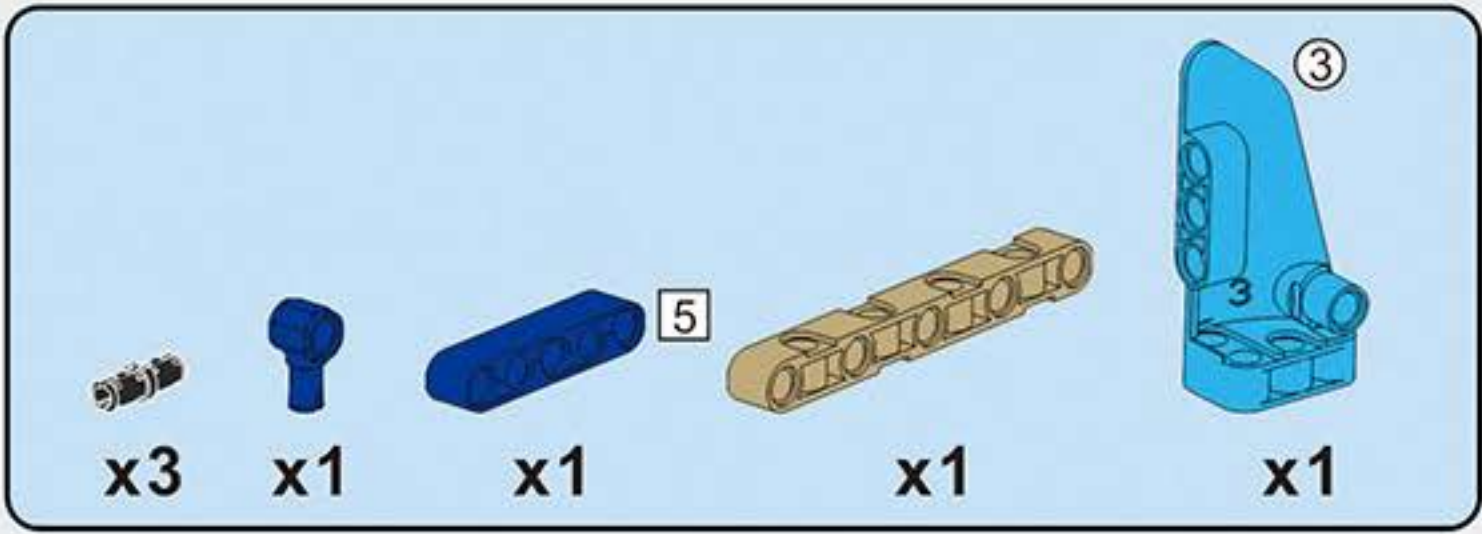
B13



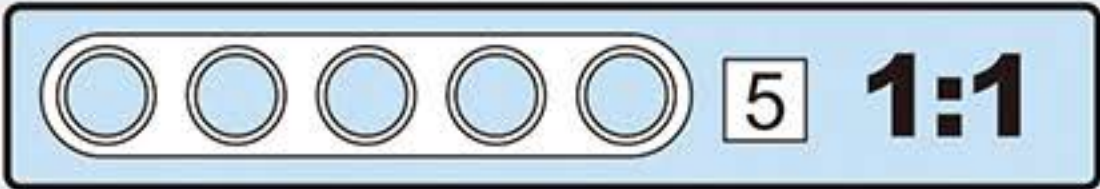
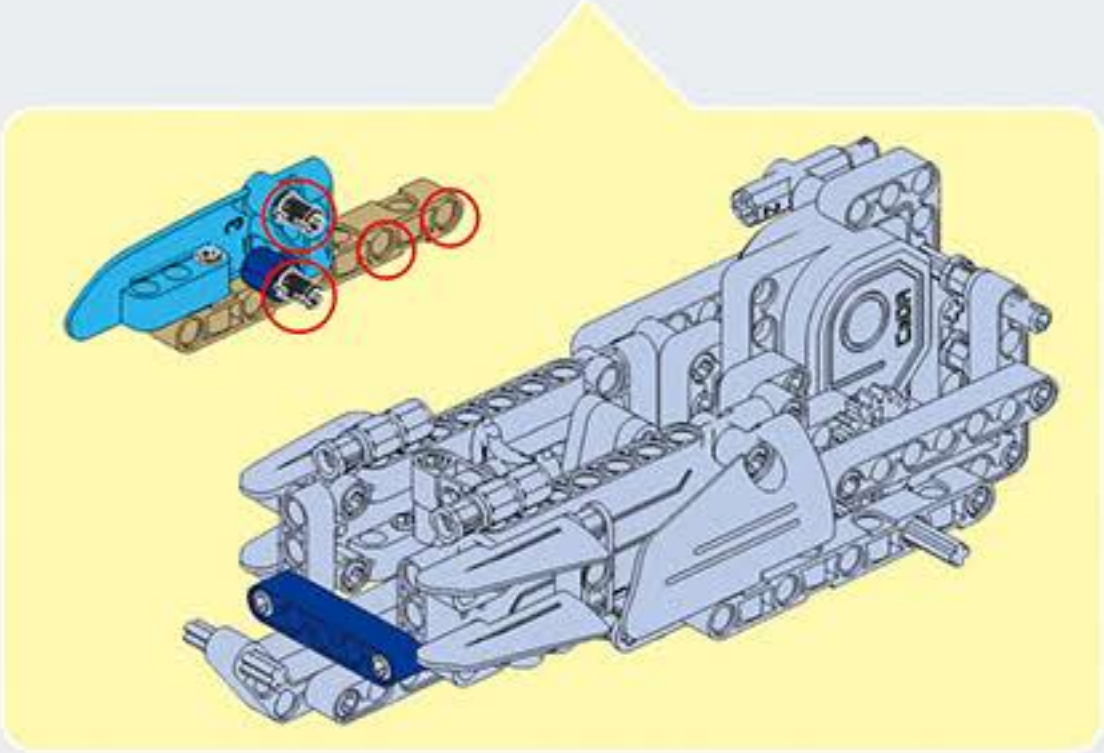
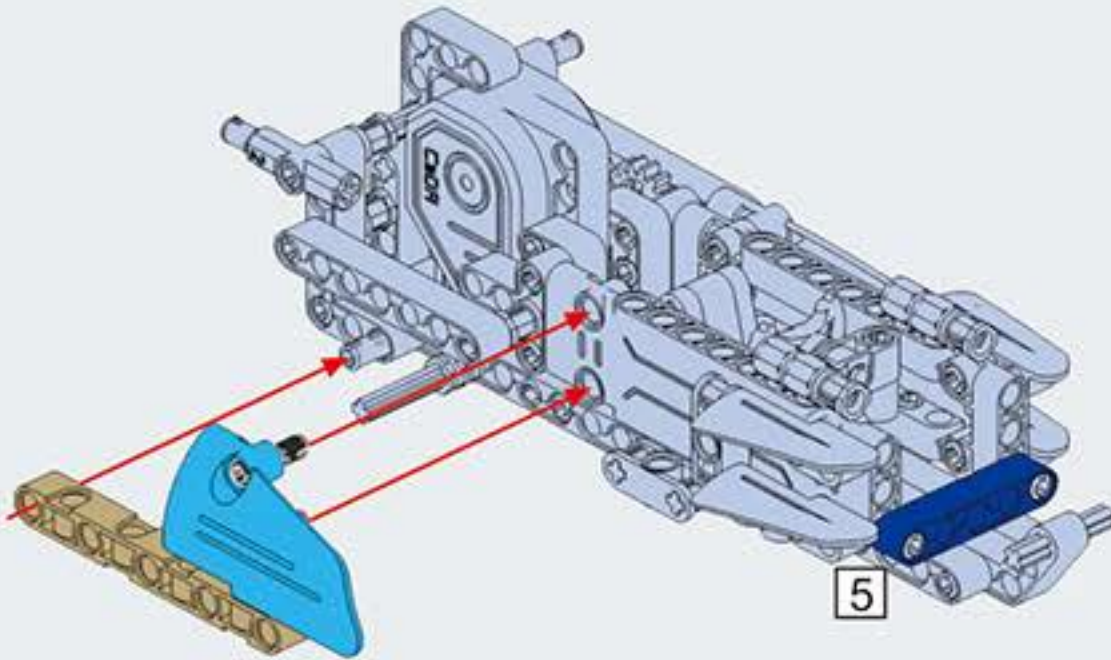
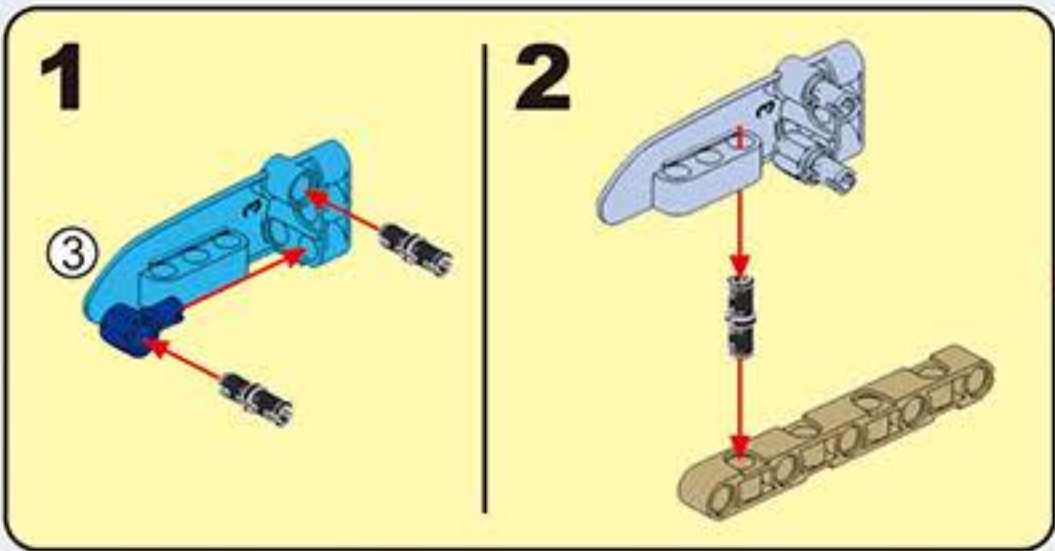


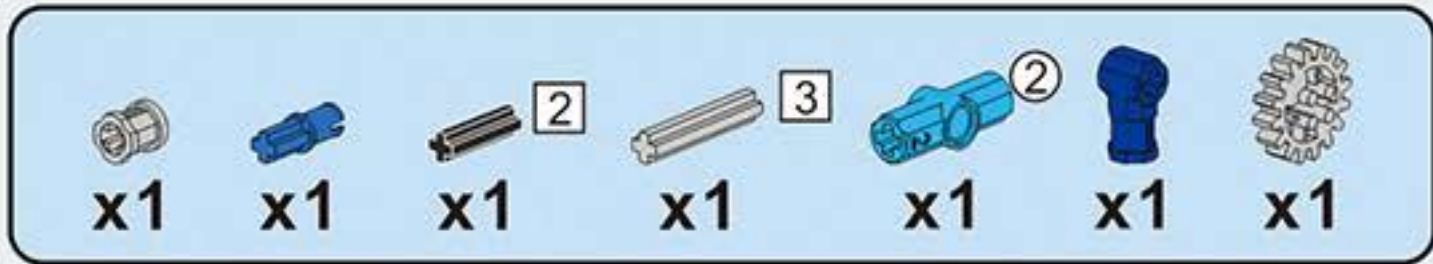
B14



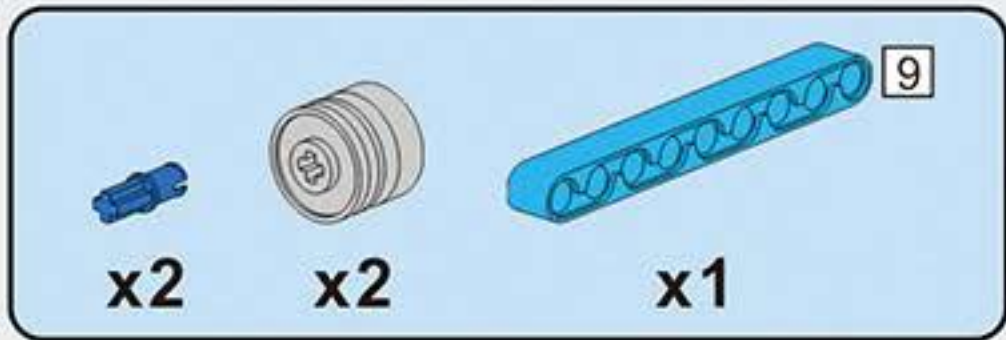
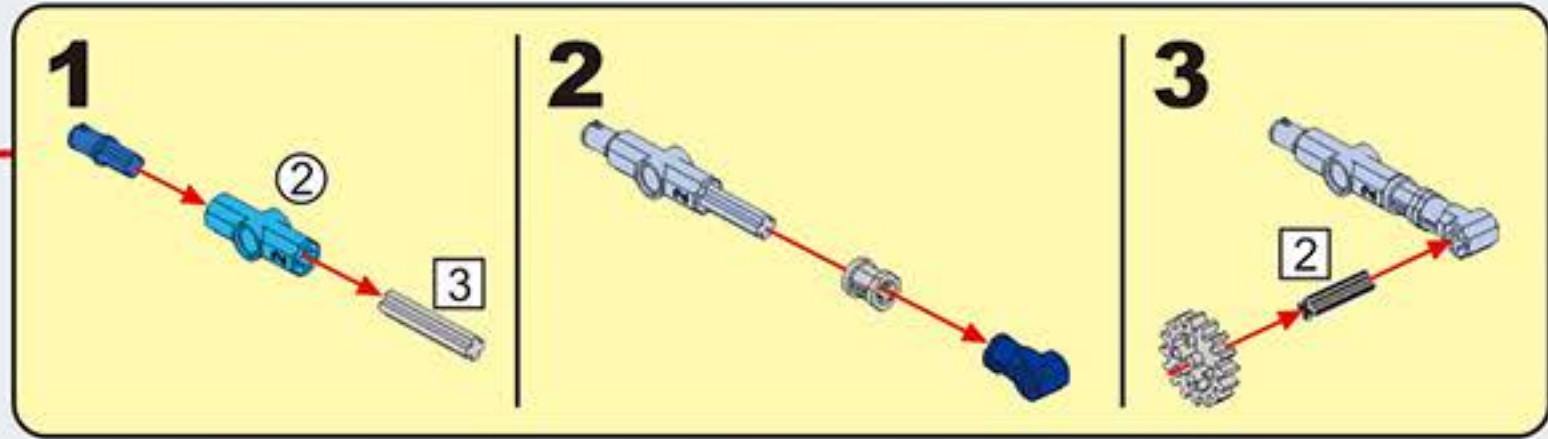
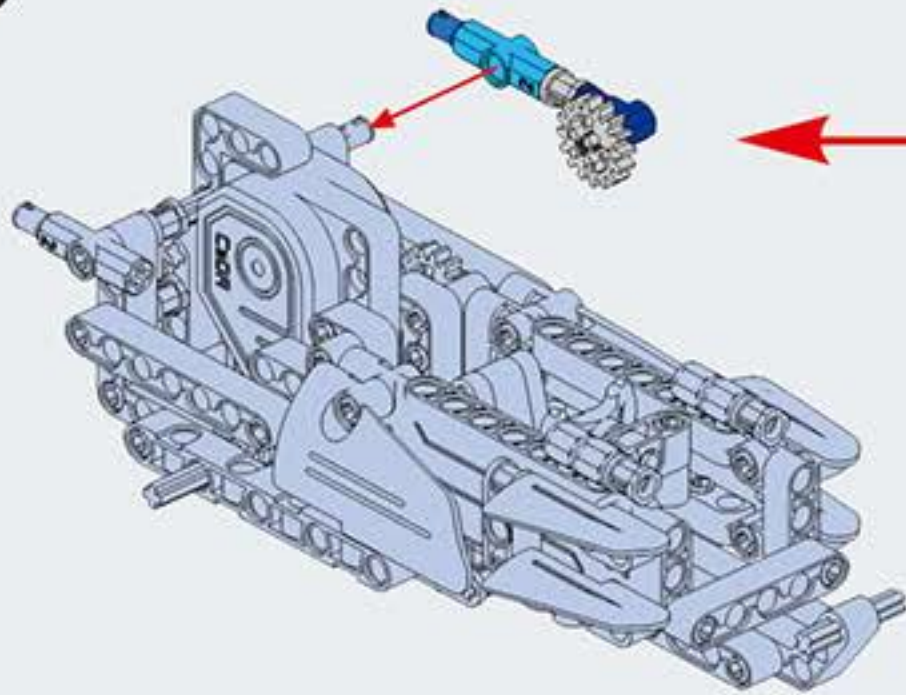


B15

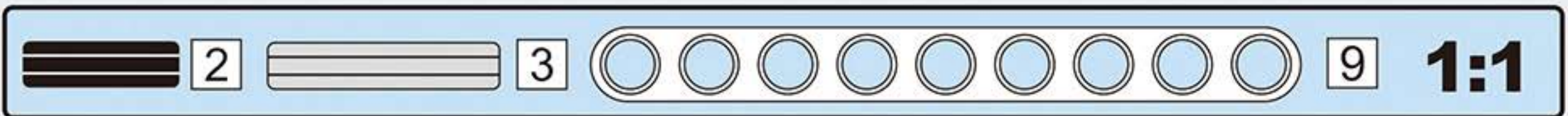
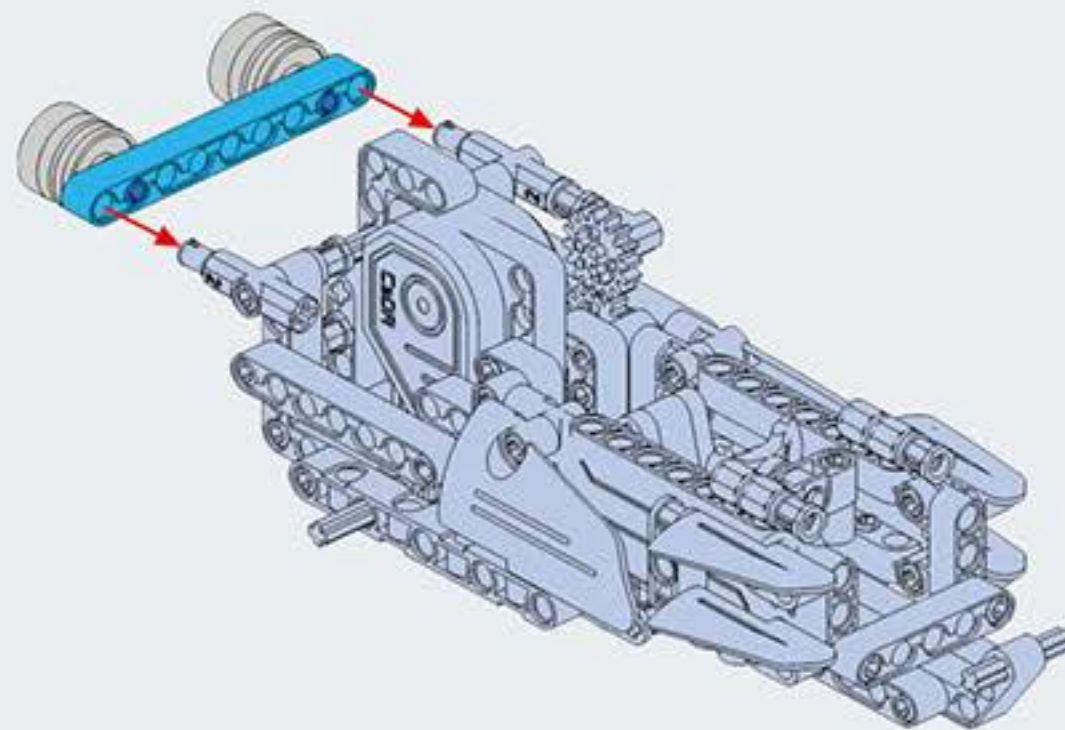
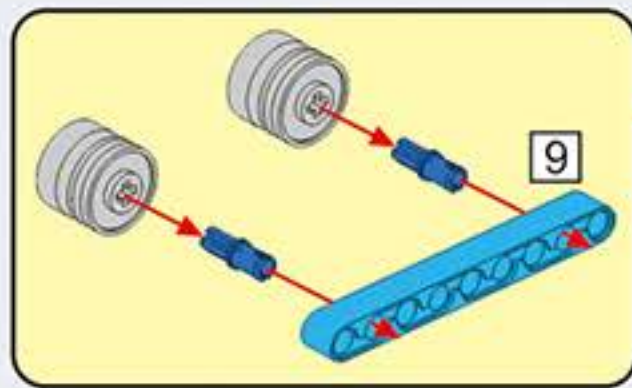


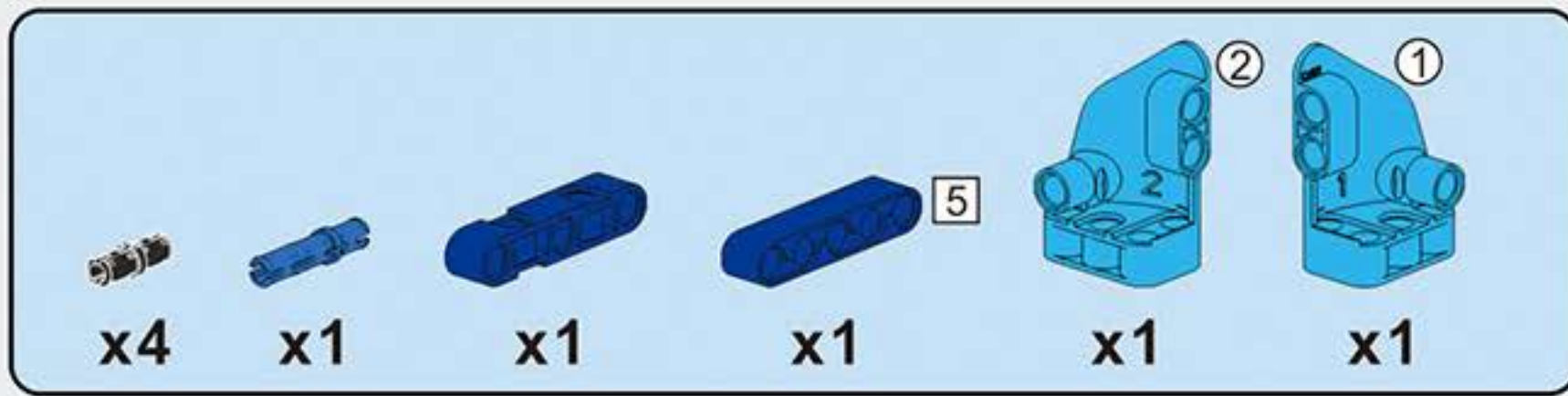


B16

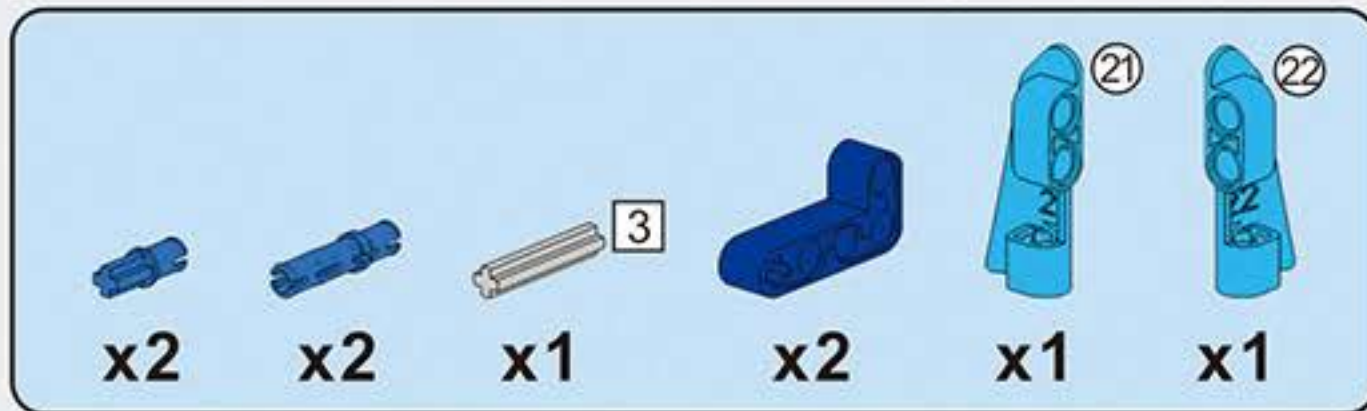
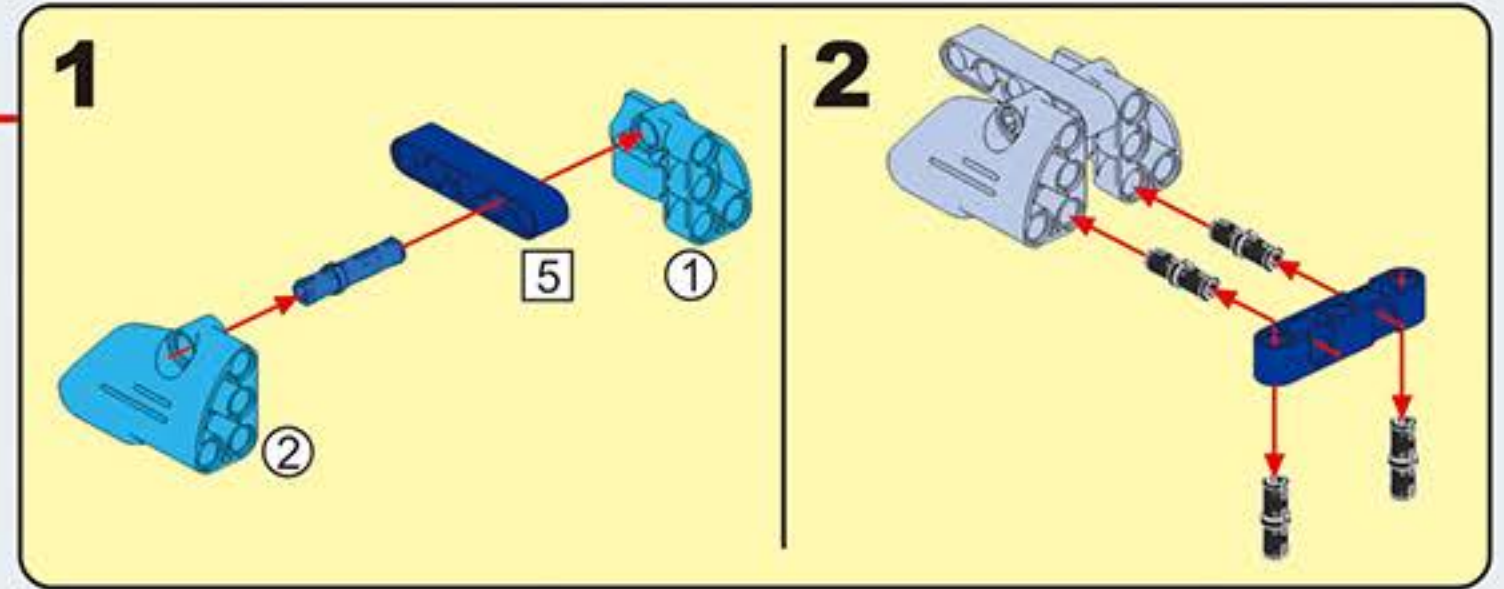
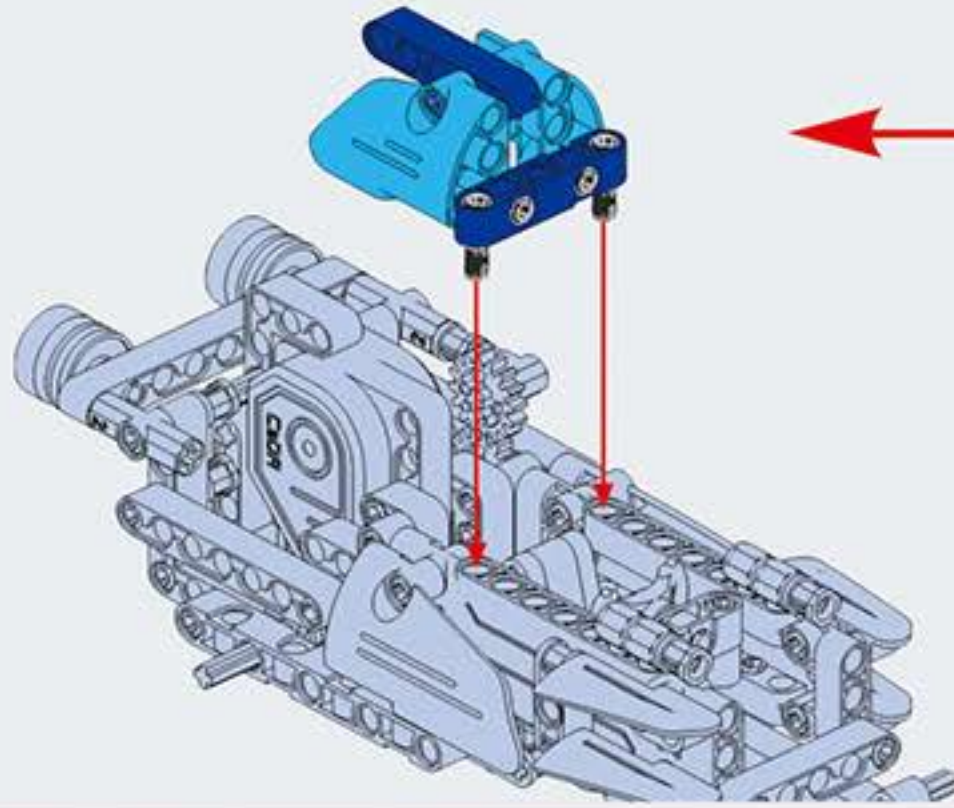


B17

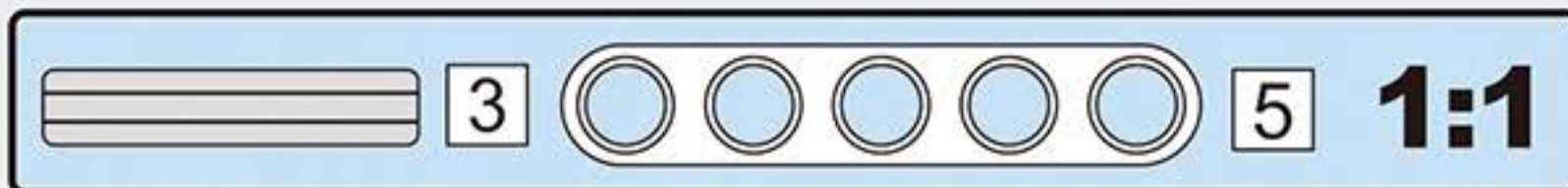
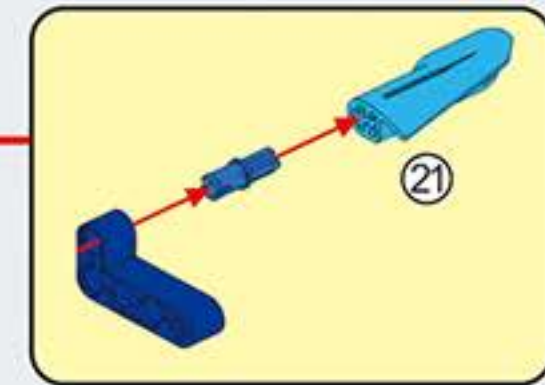
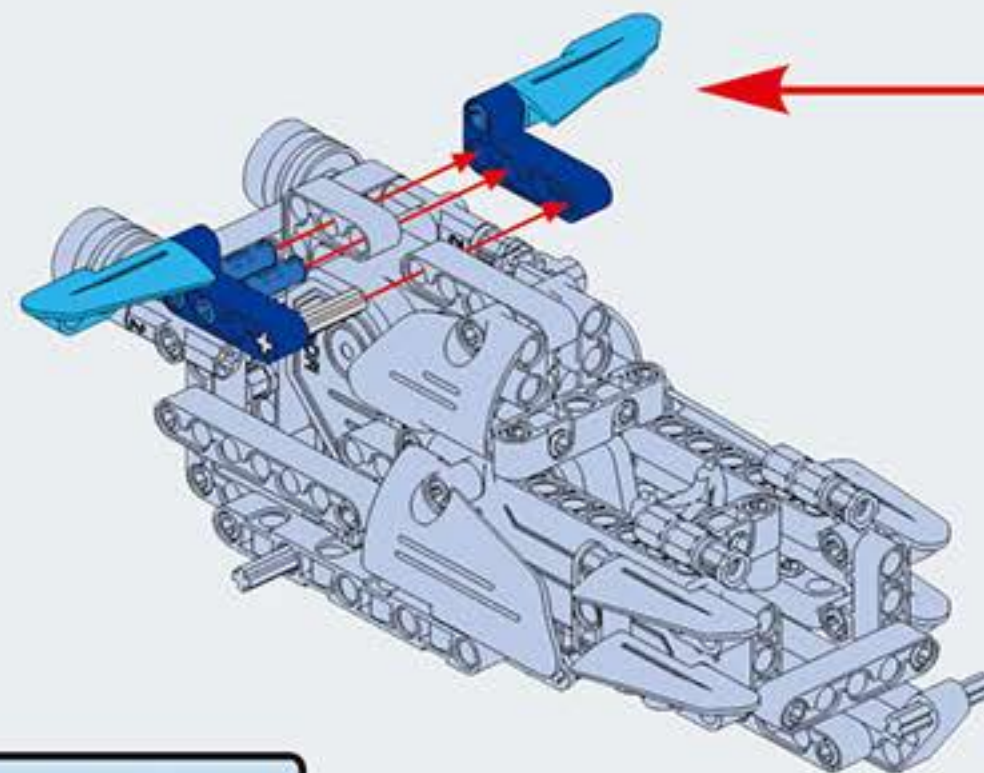
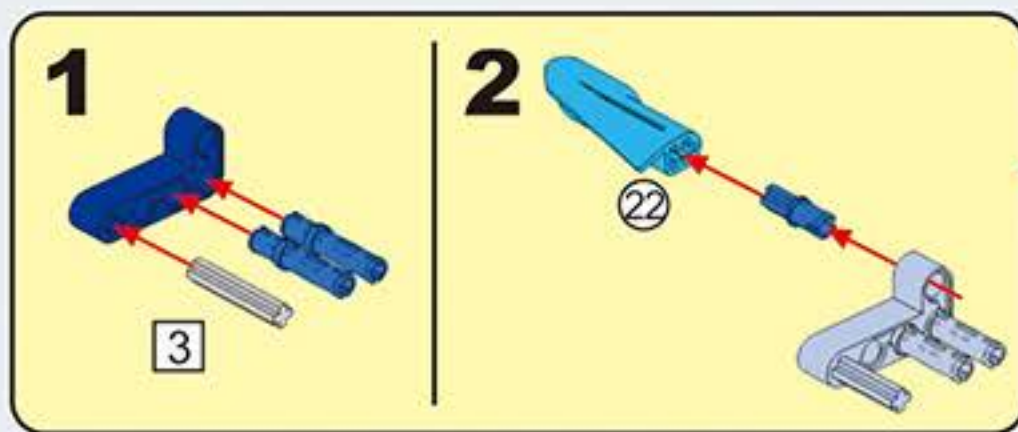


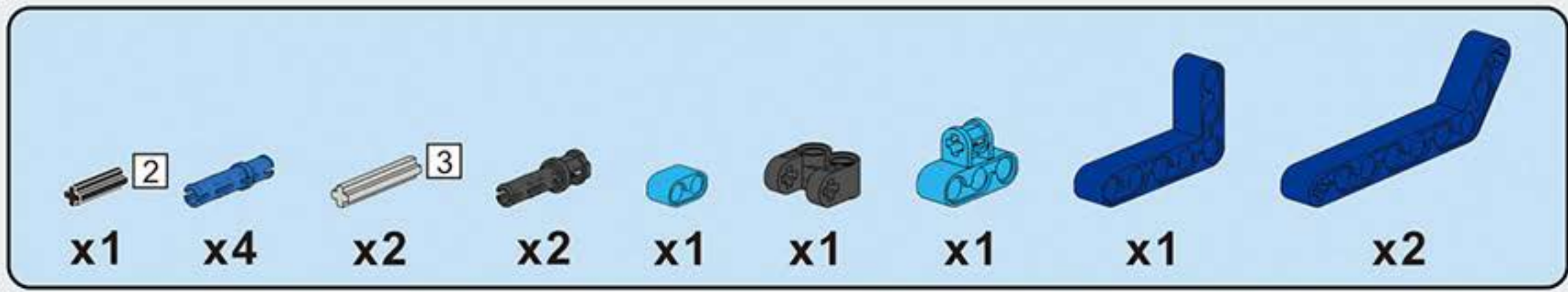


B18

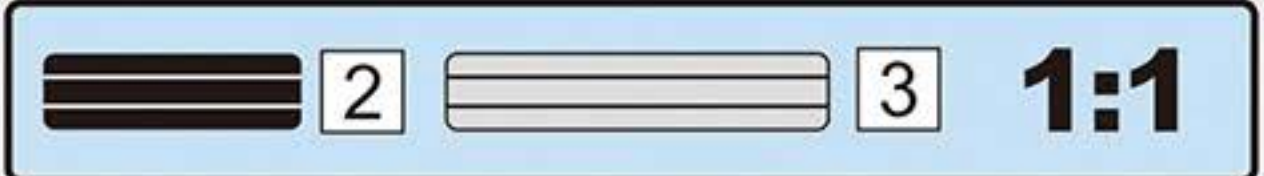
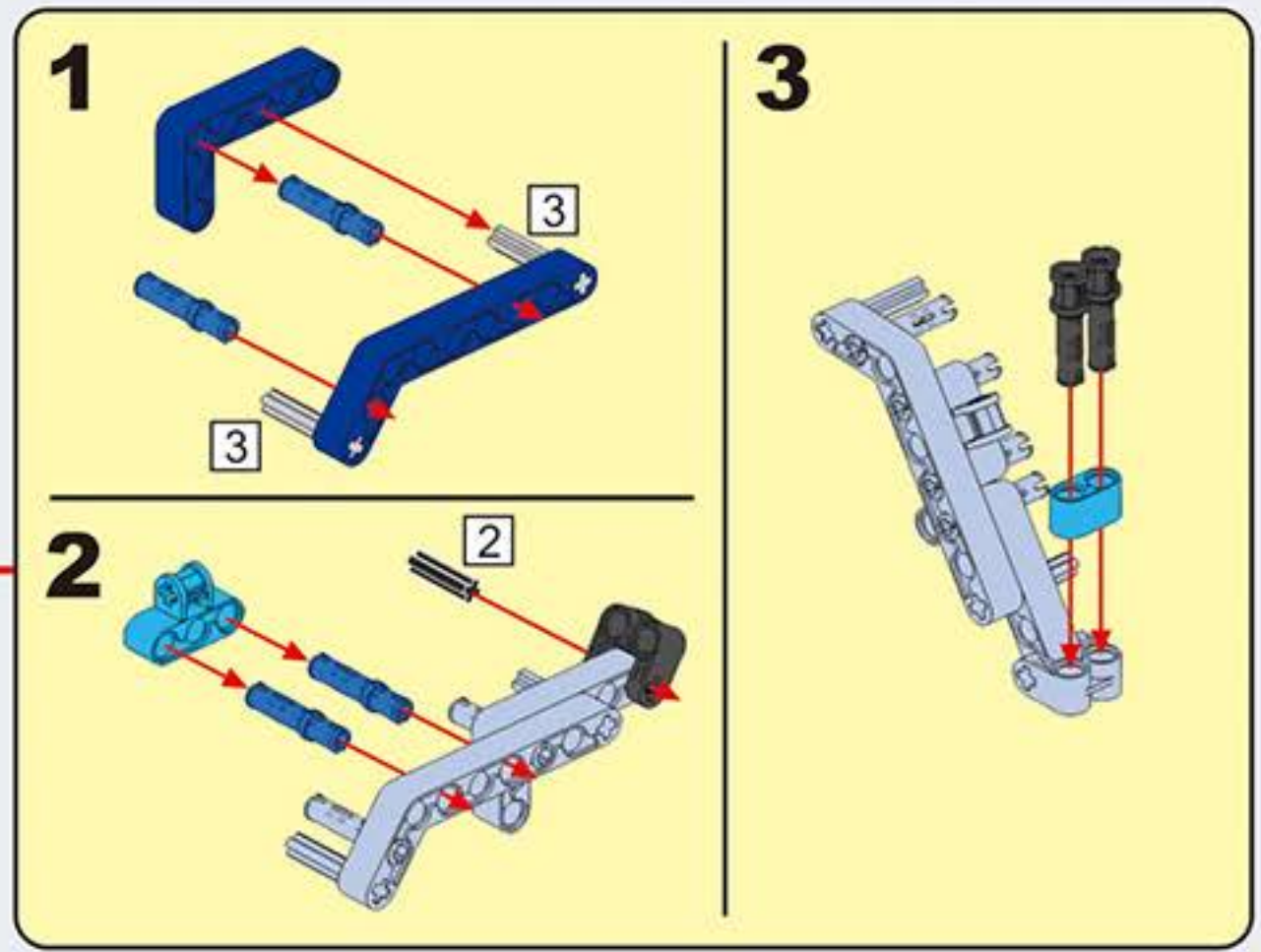
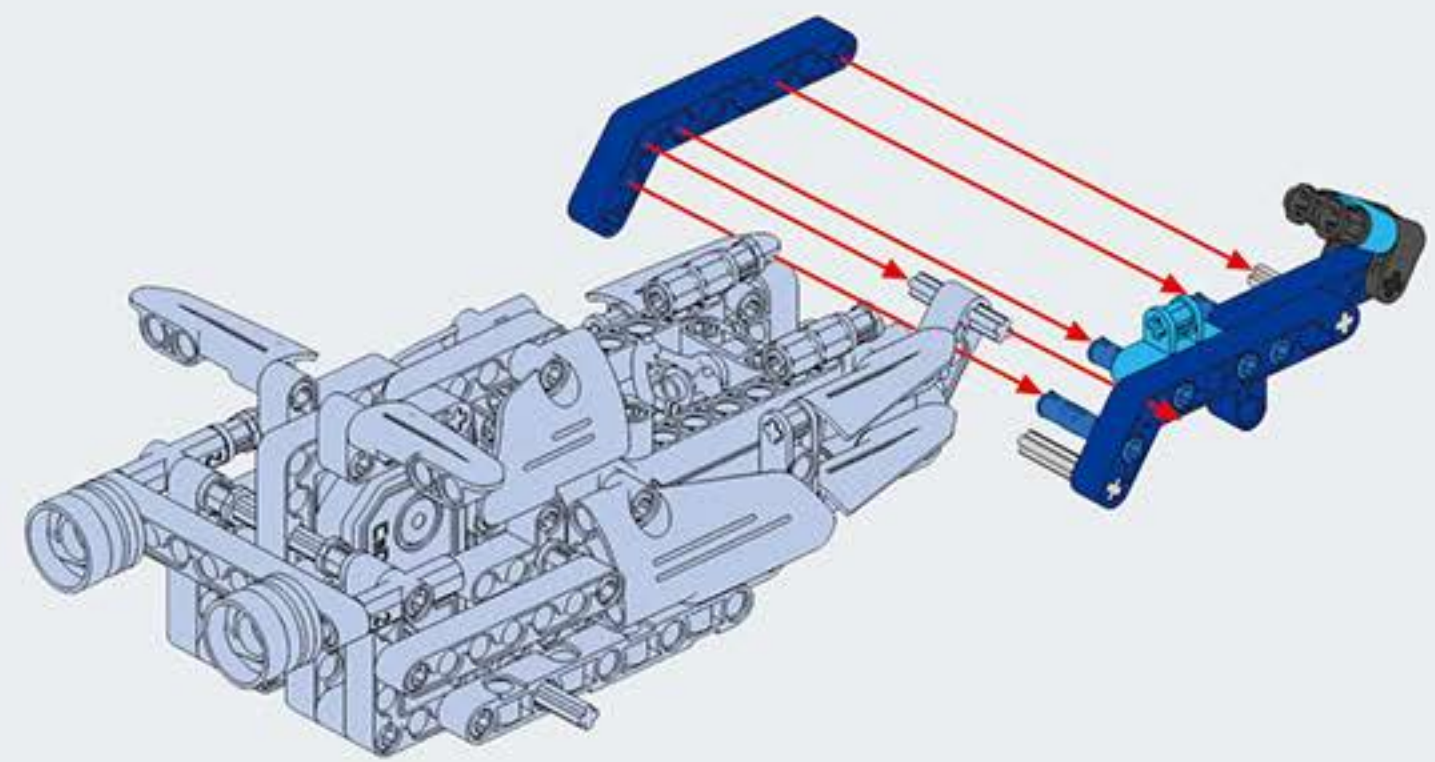


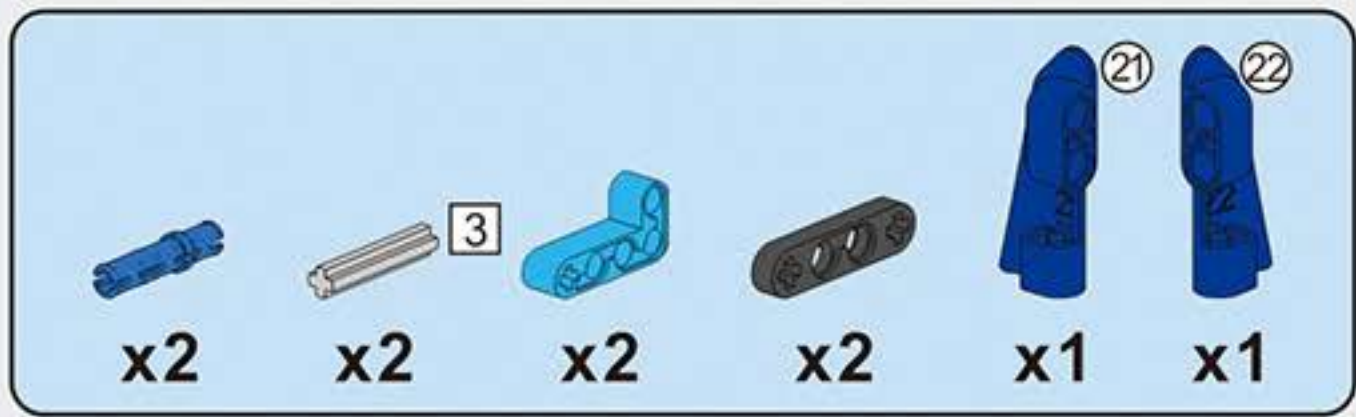
B19



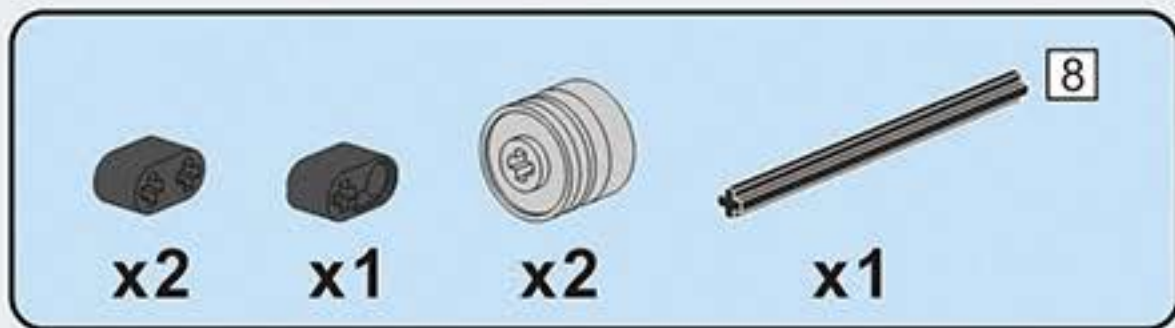
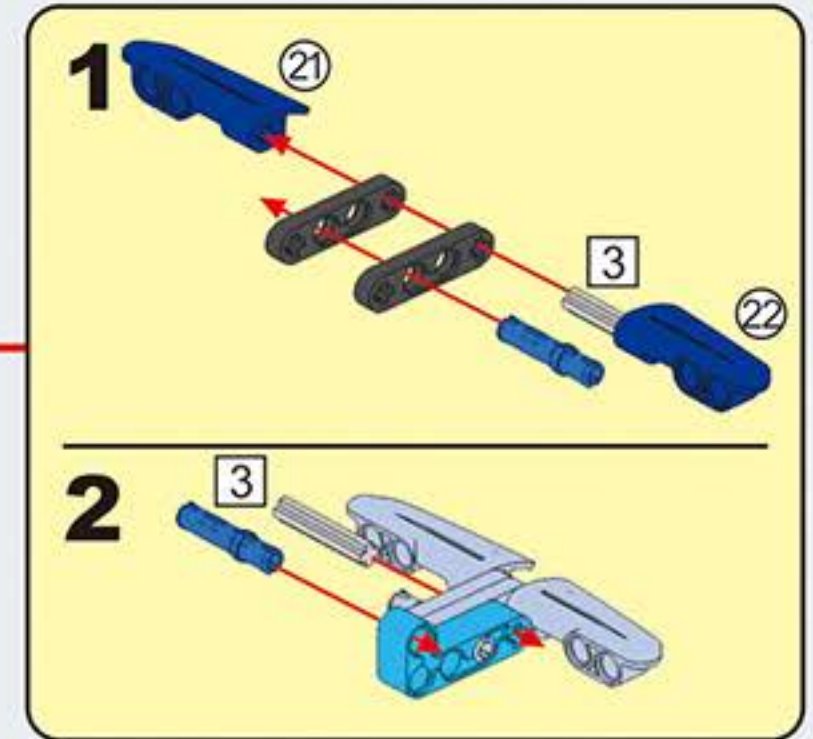
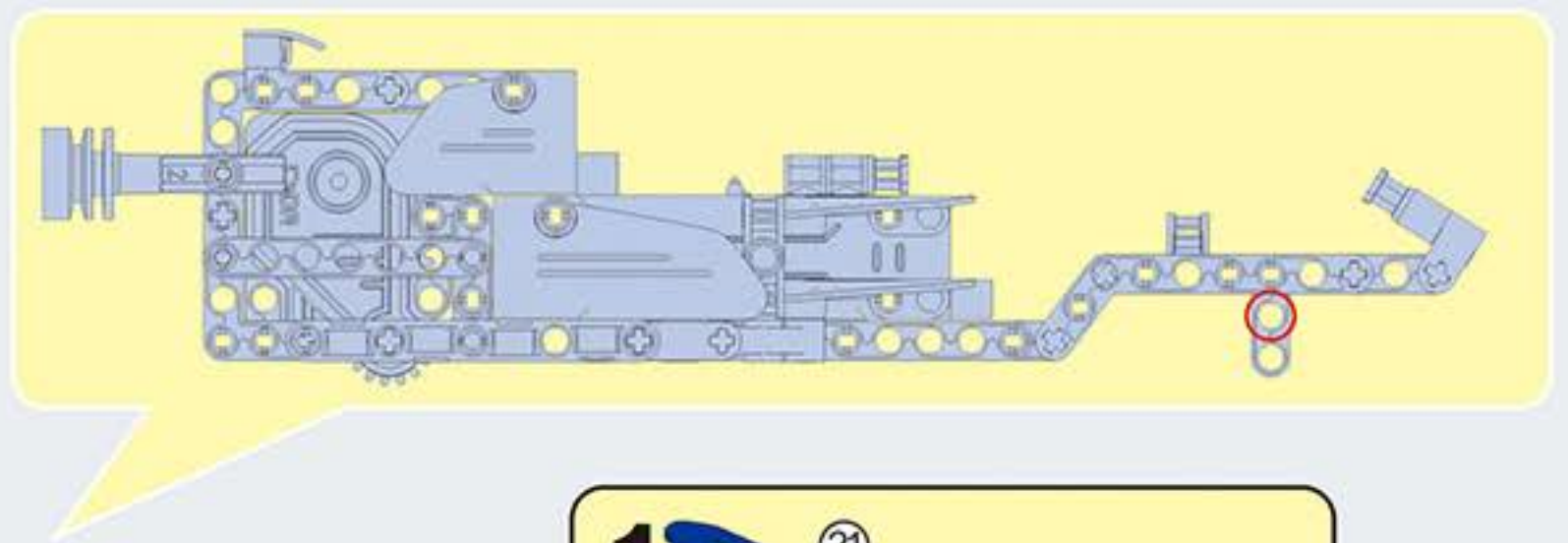
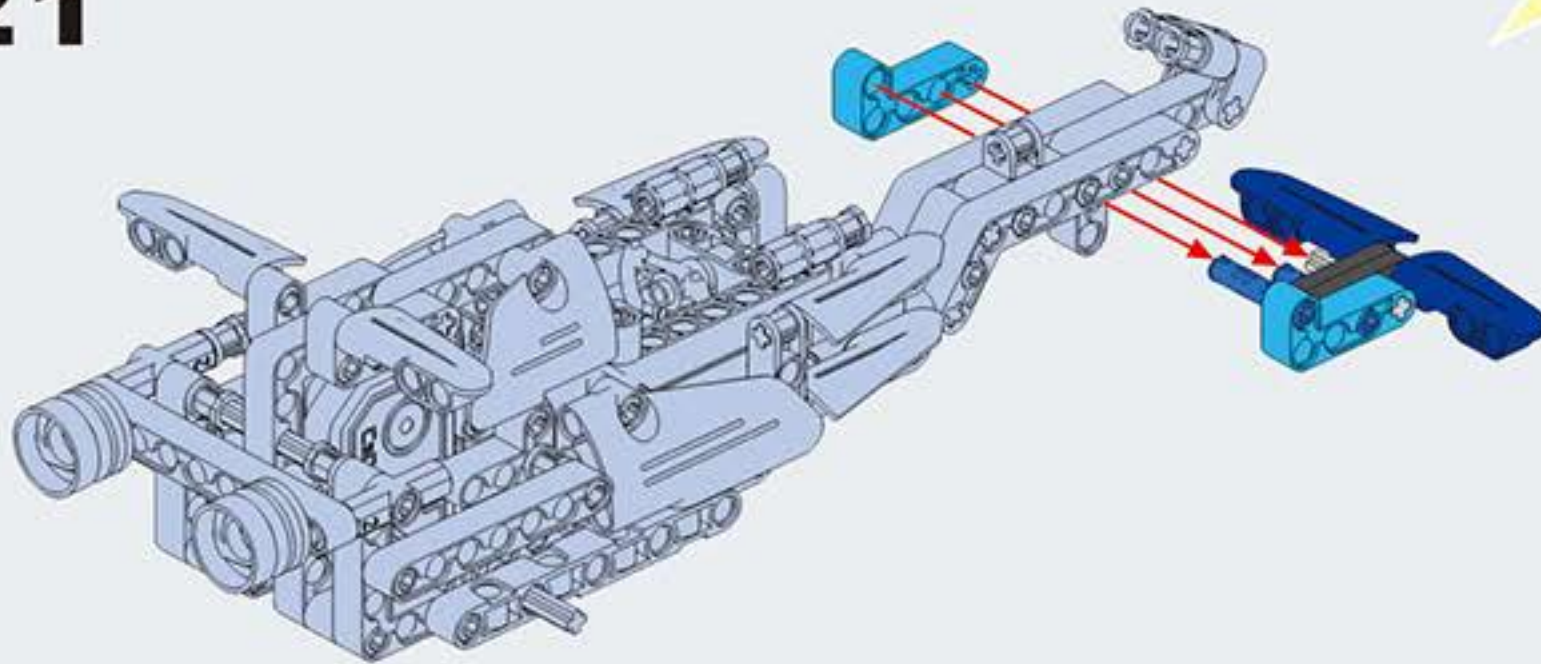


B20

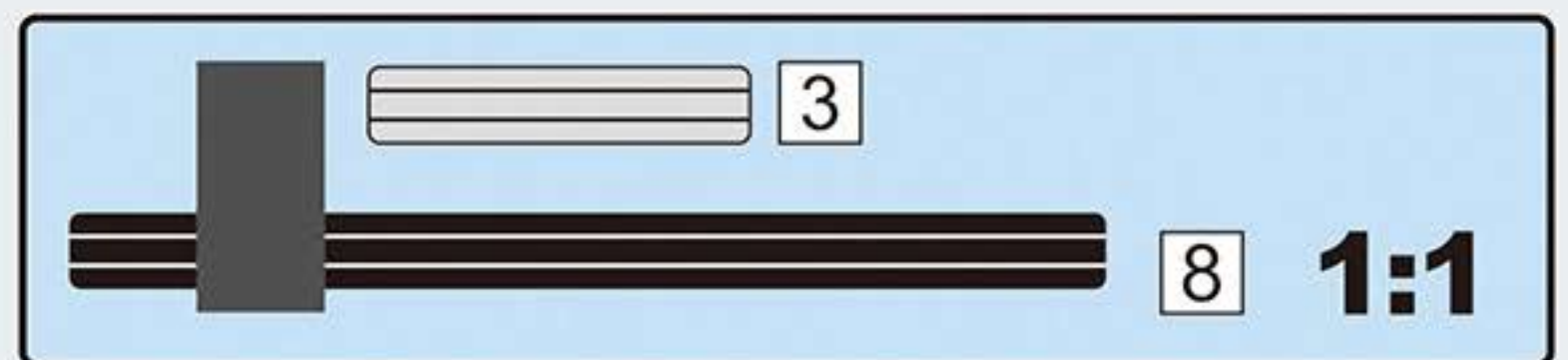
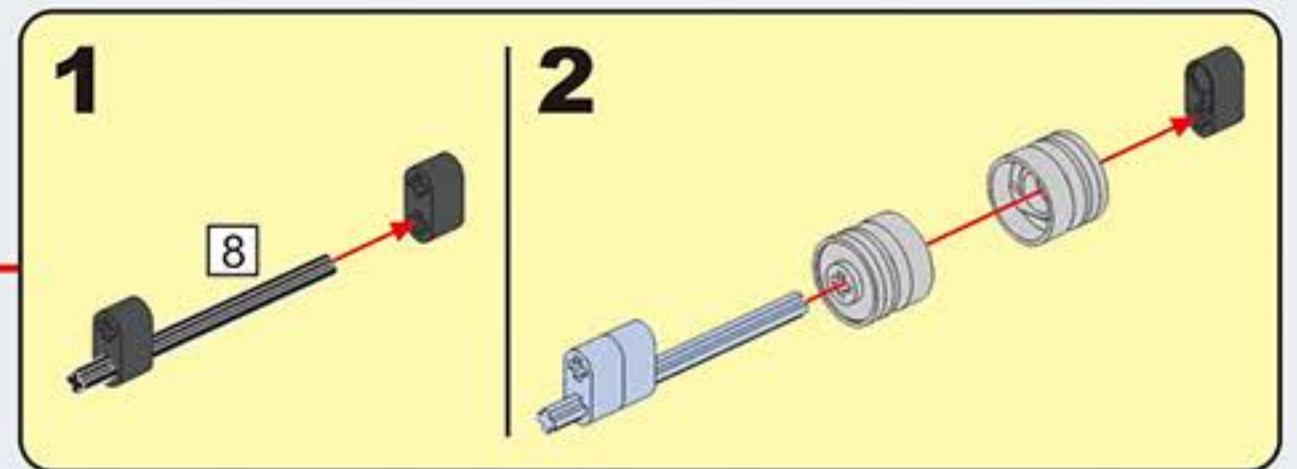
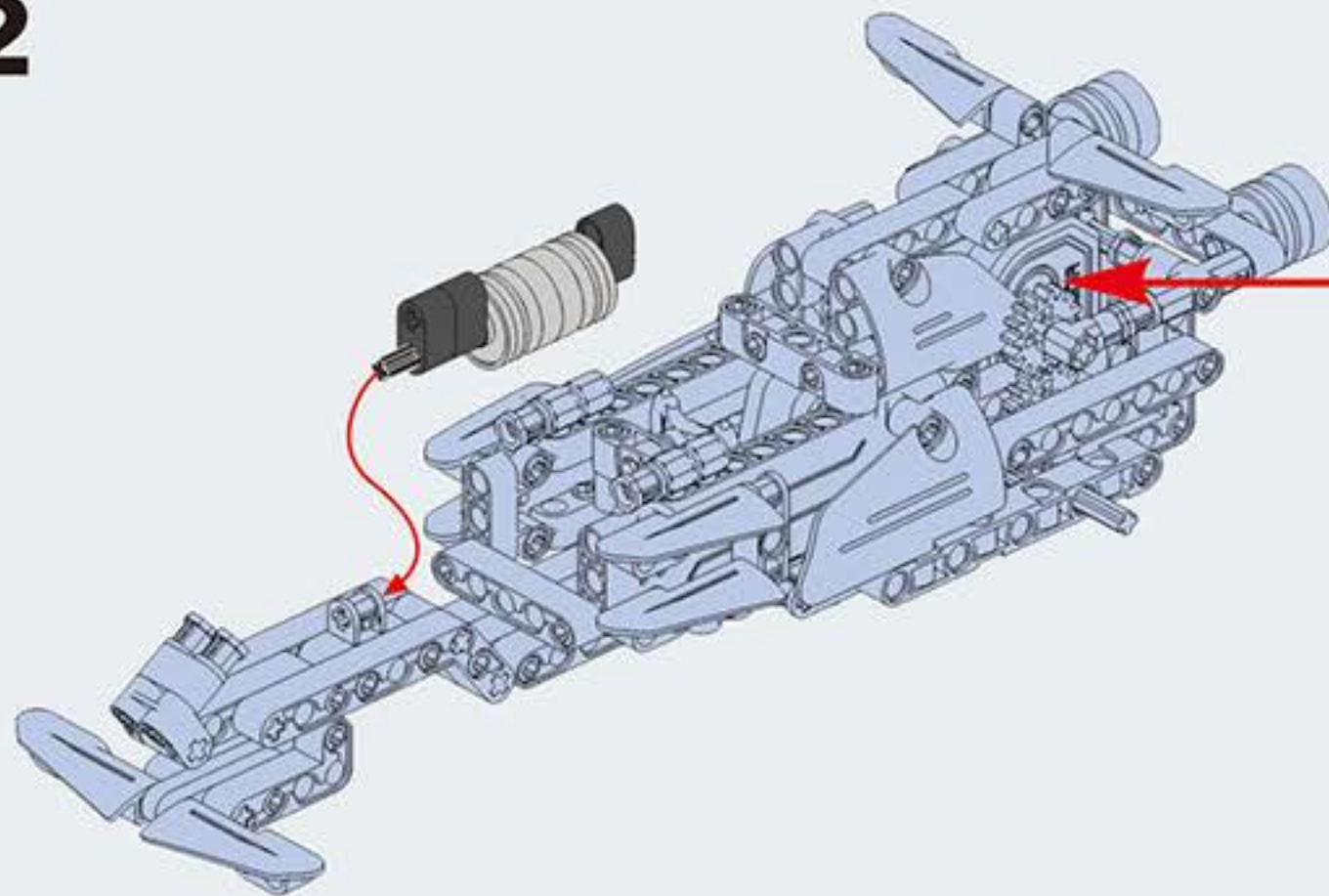


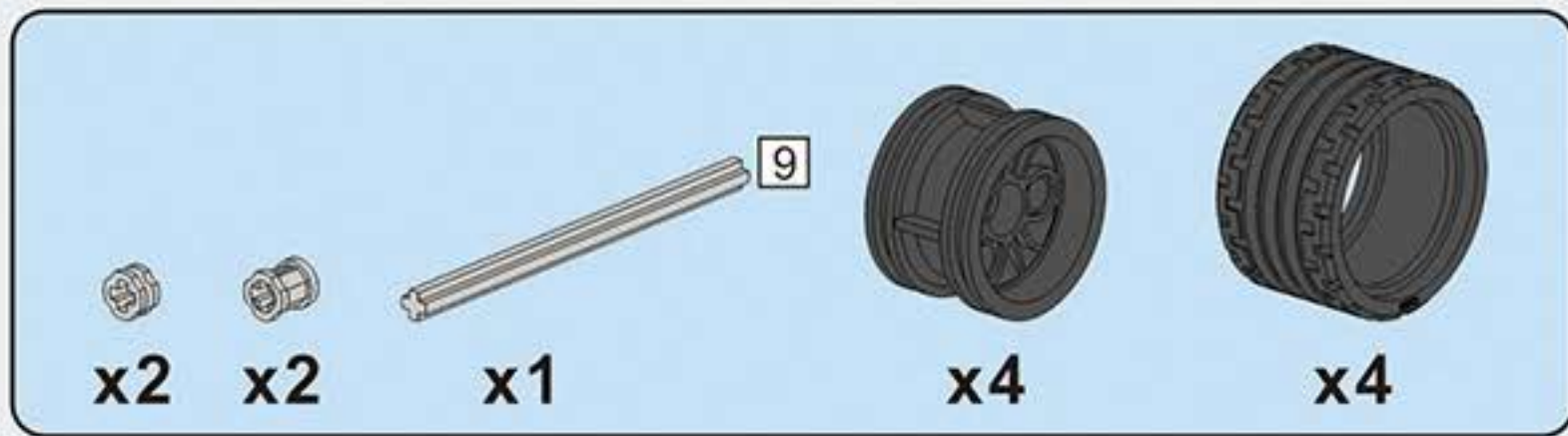


B21

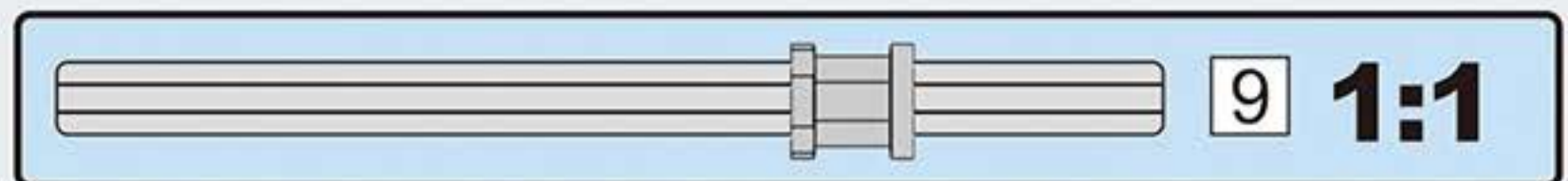
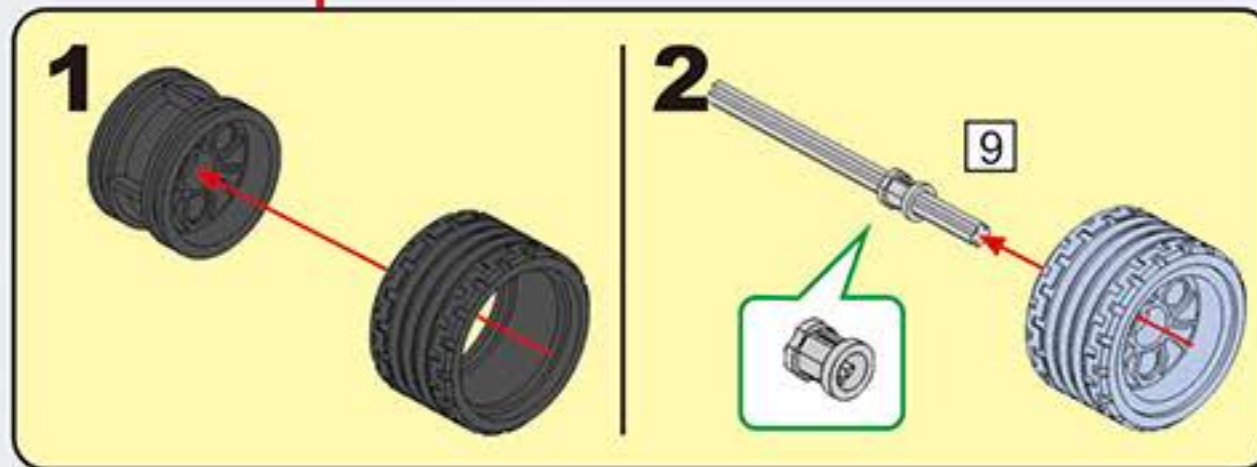
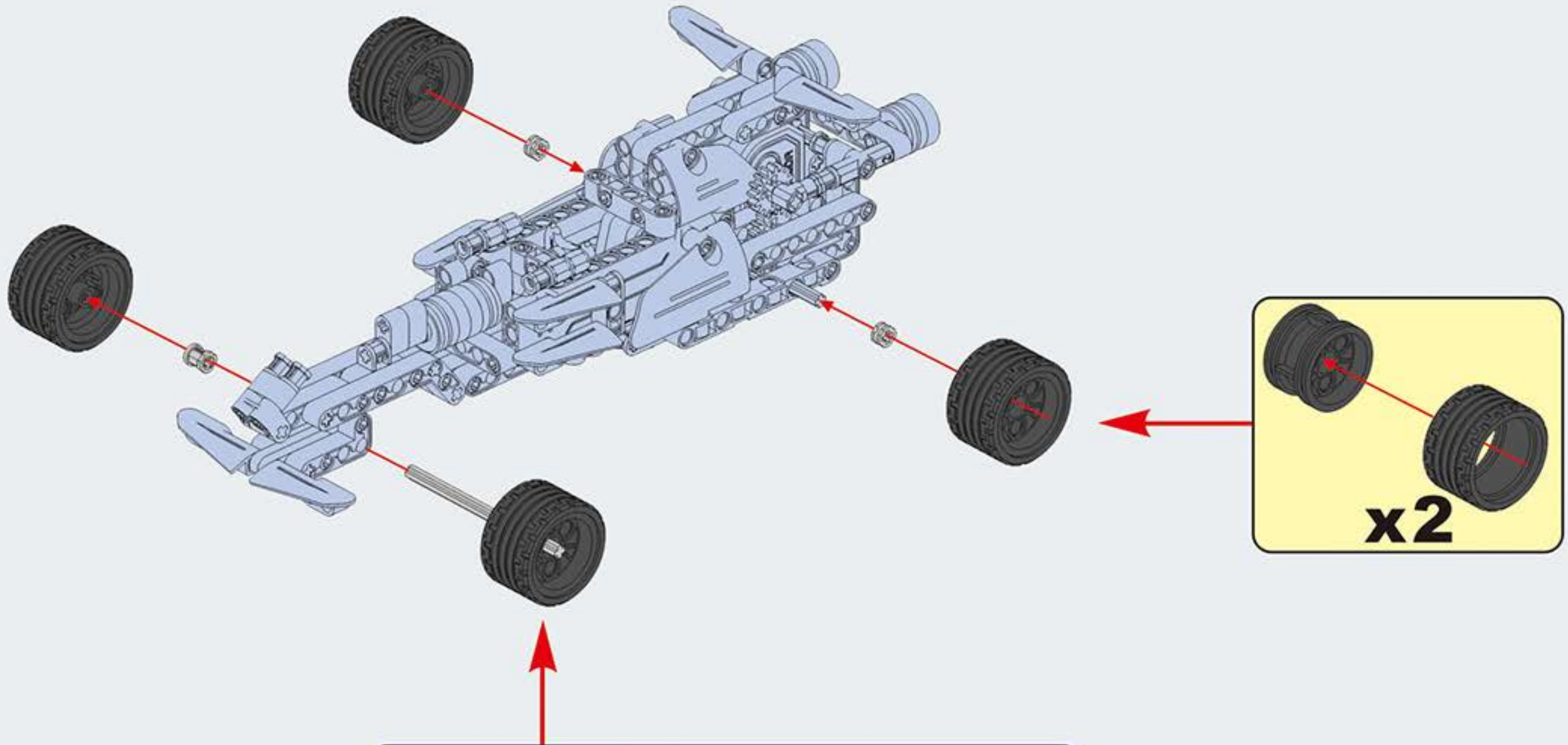


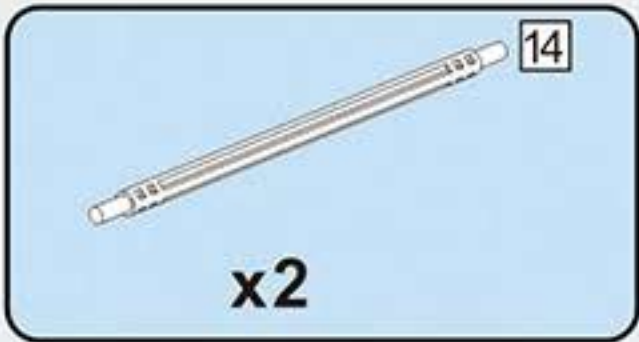
B22



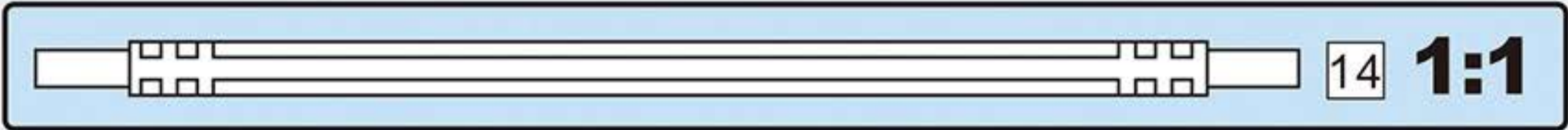
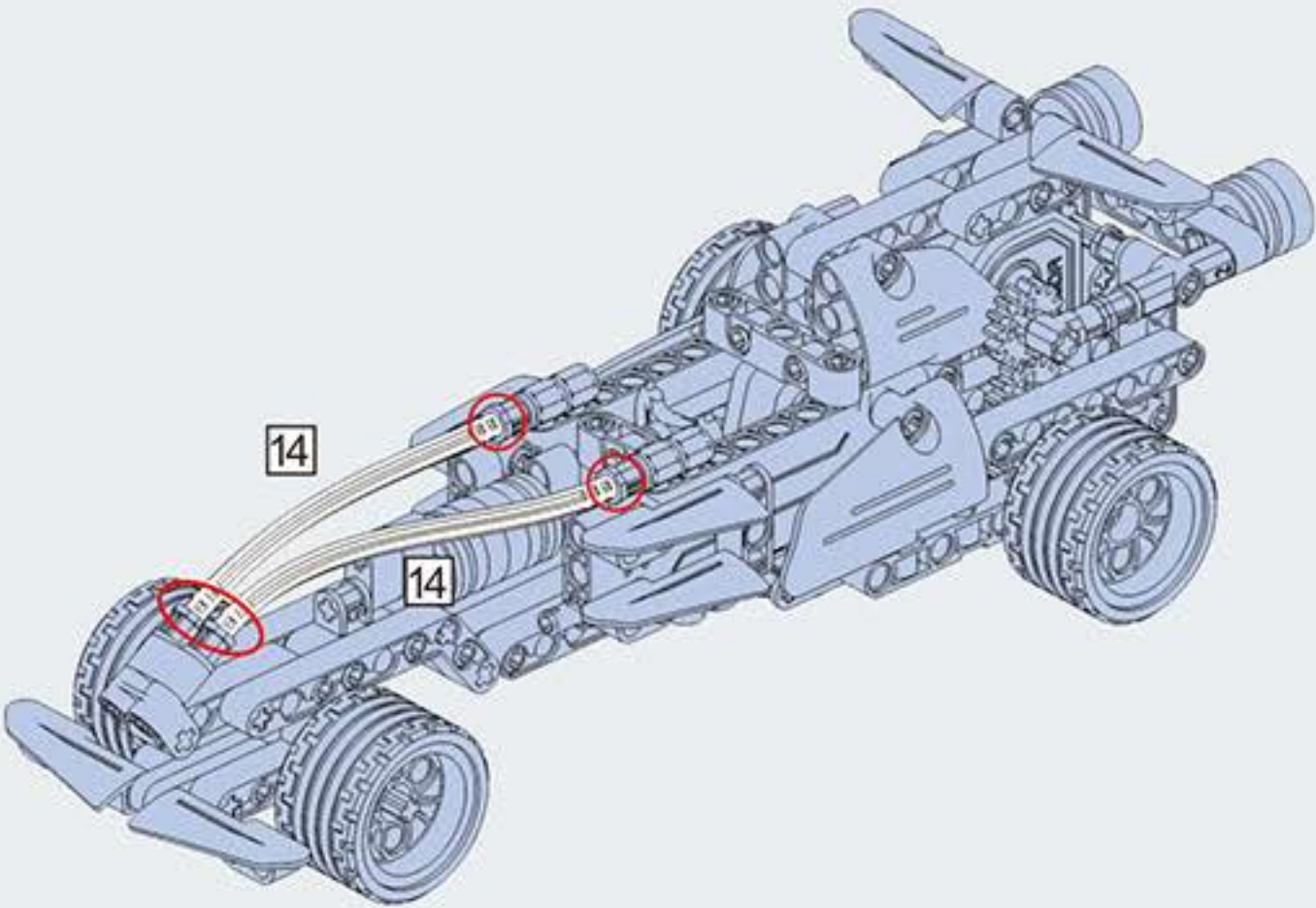


B23

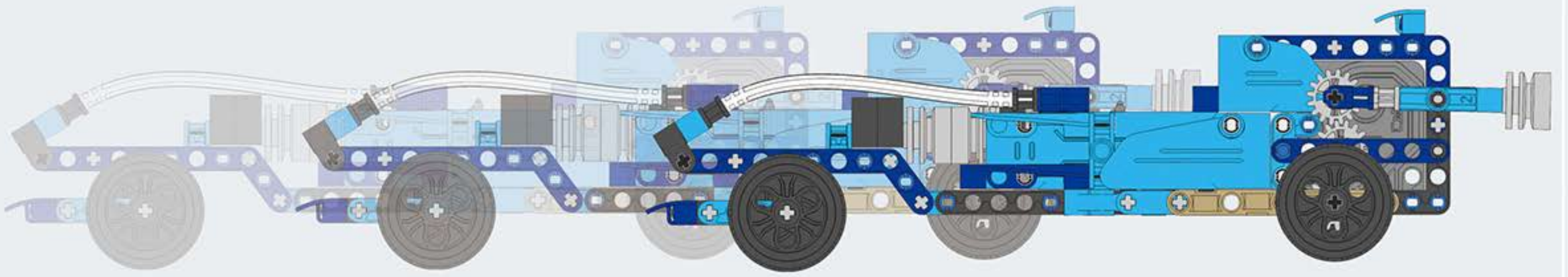
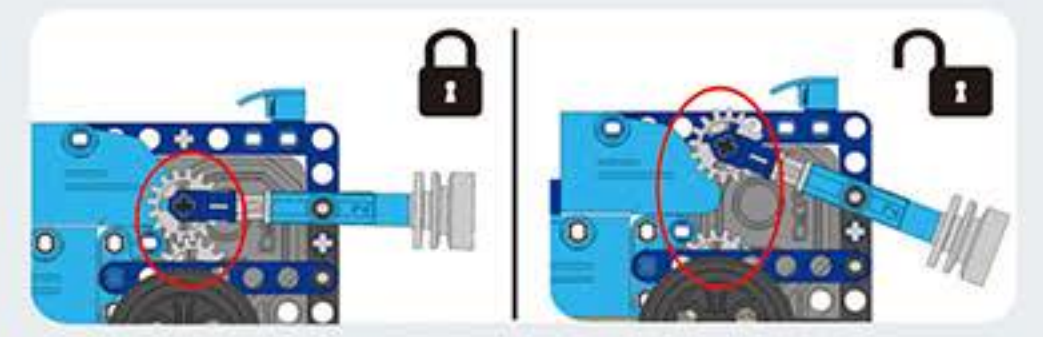




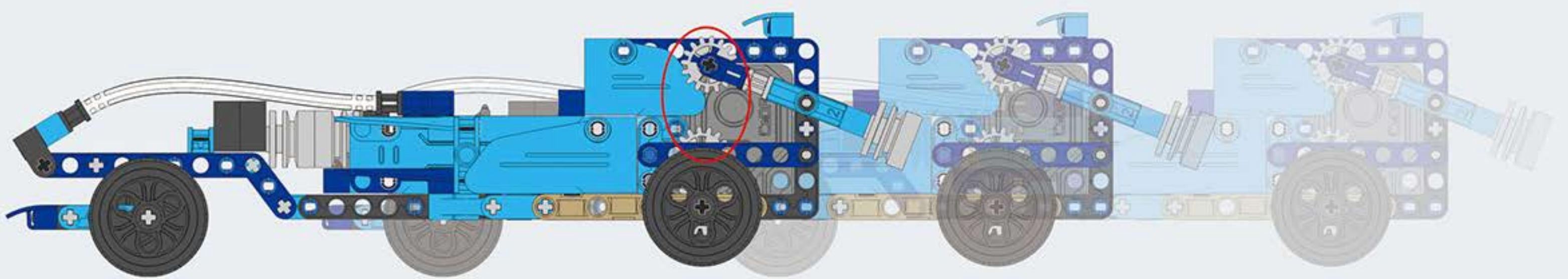
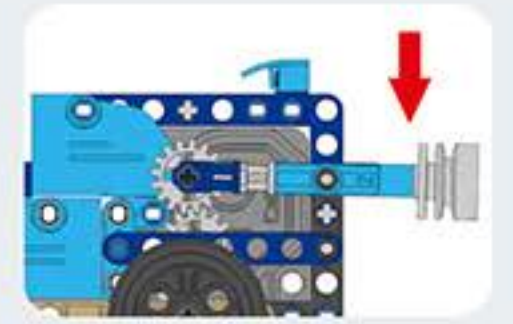
B24



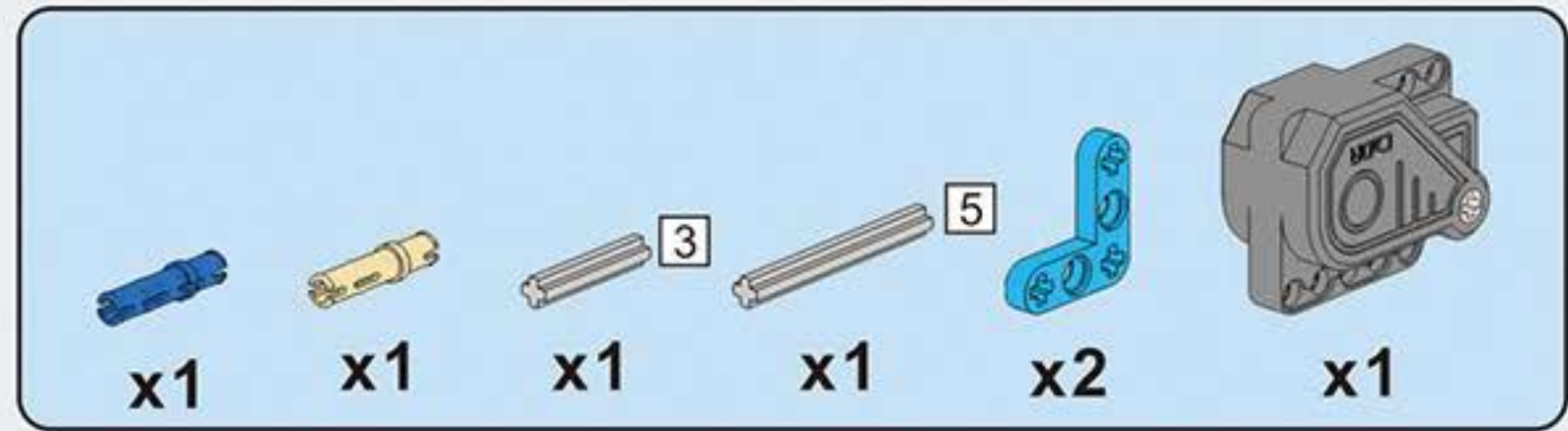
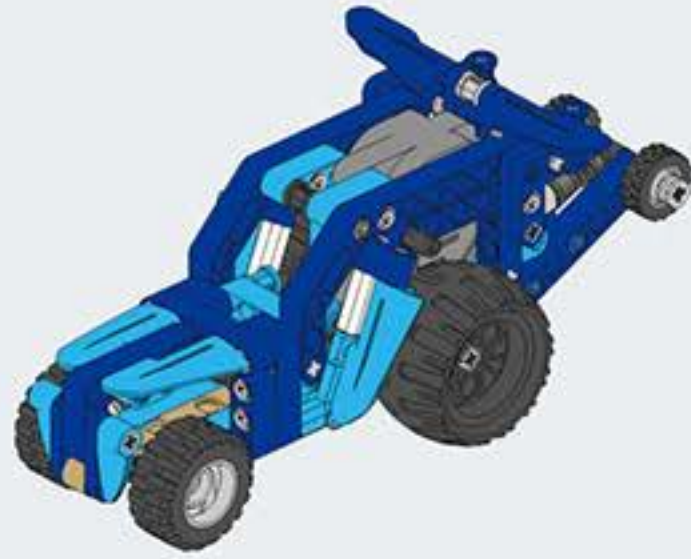
1



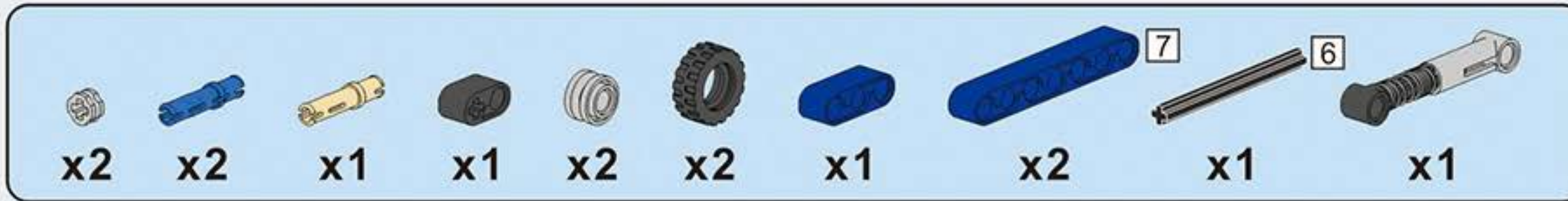
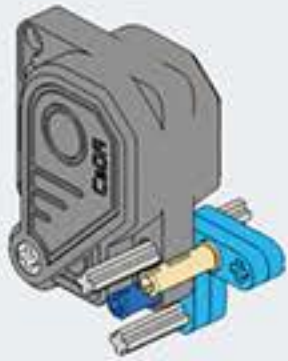
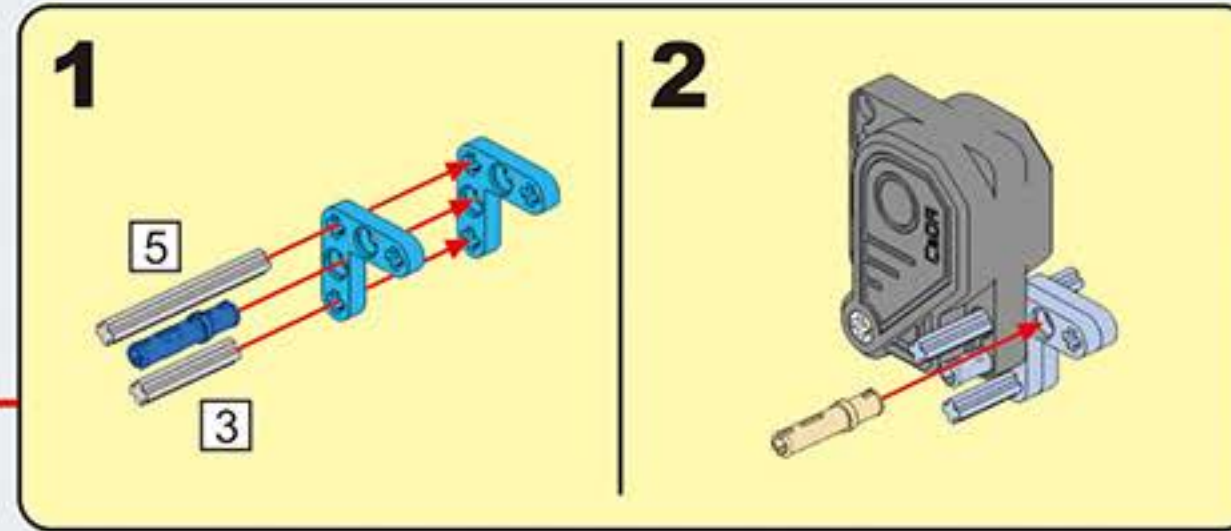
2



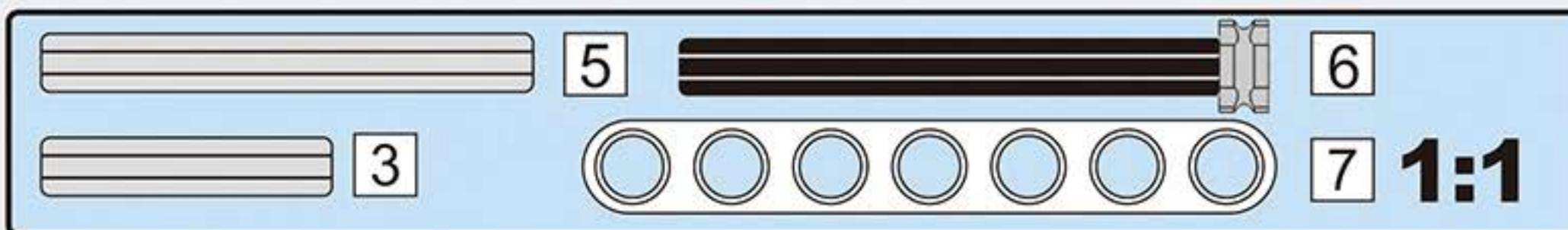
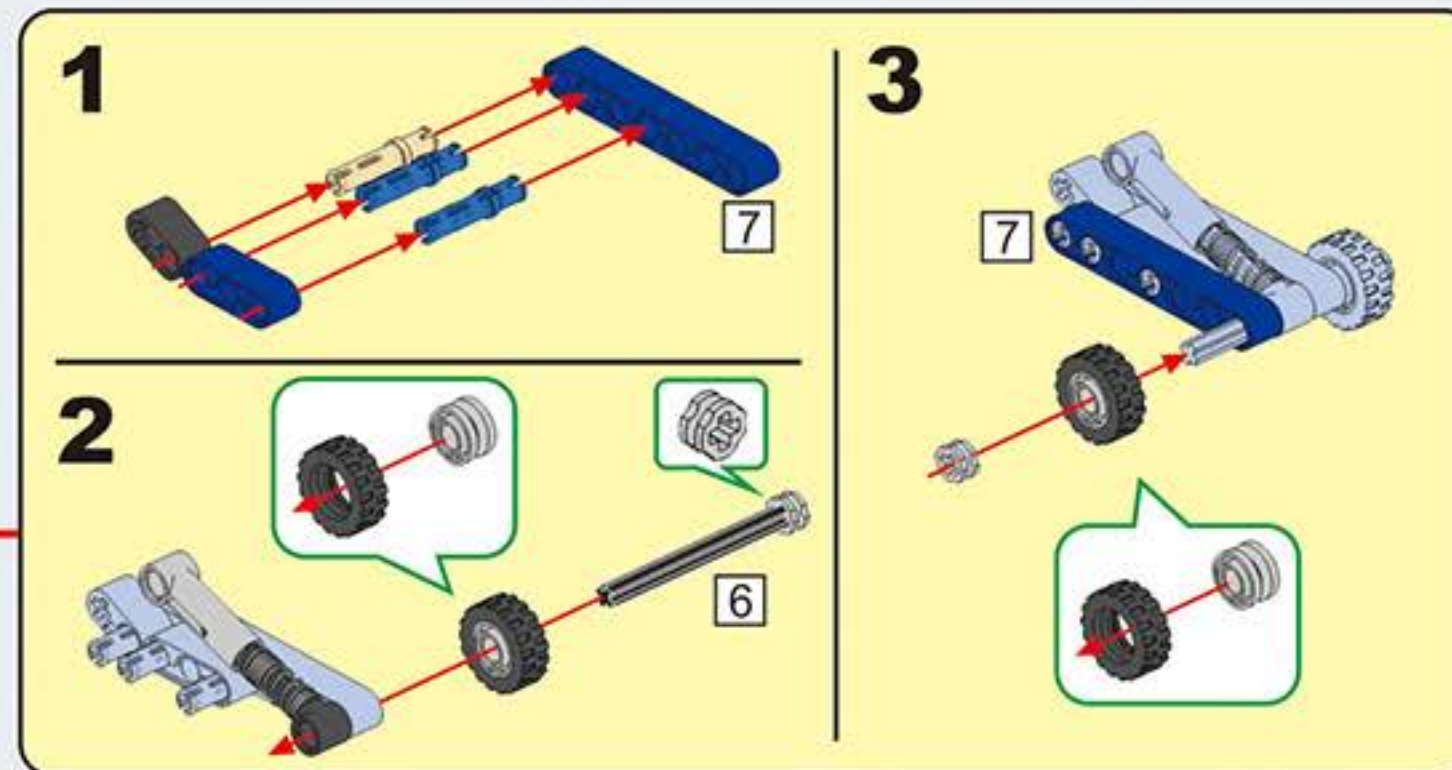
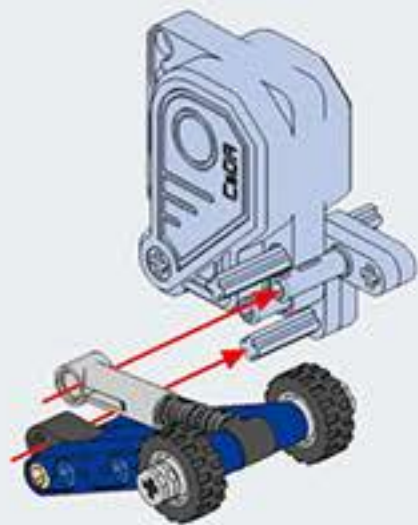
C

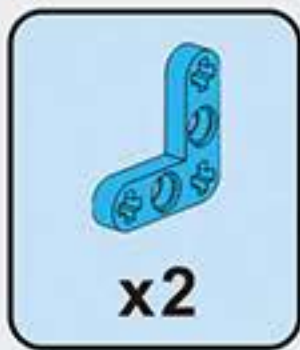


C1

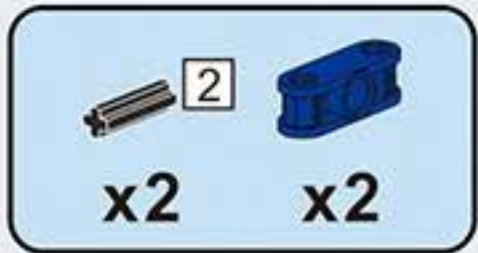
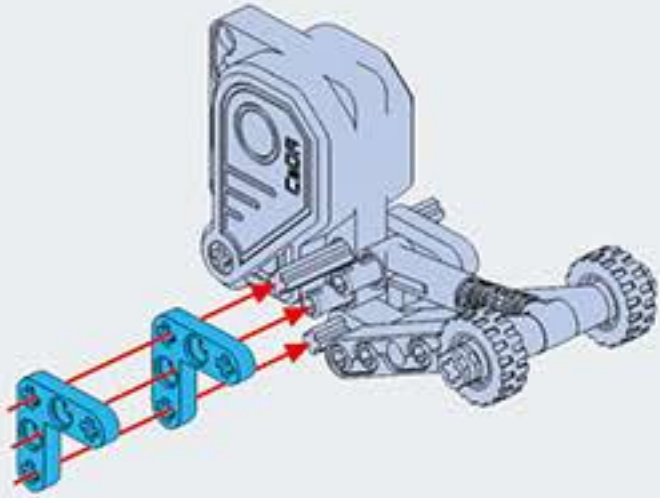


C2

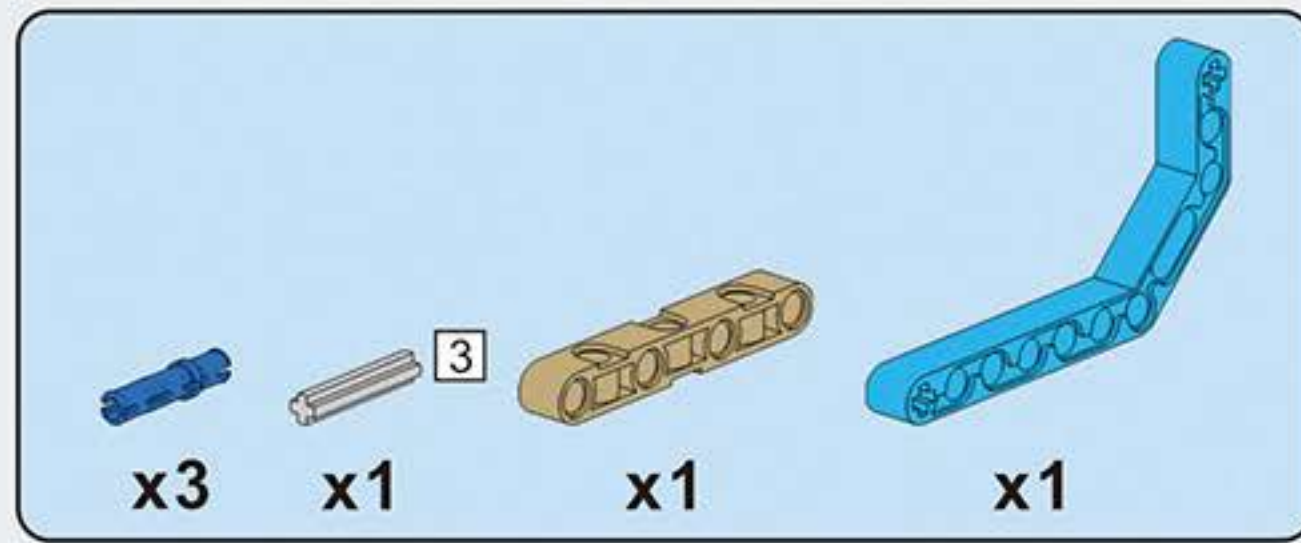
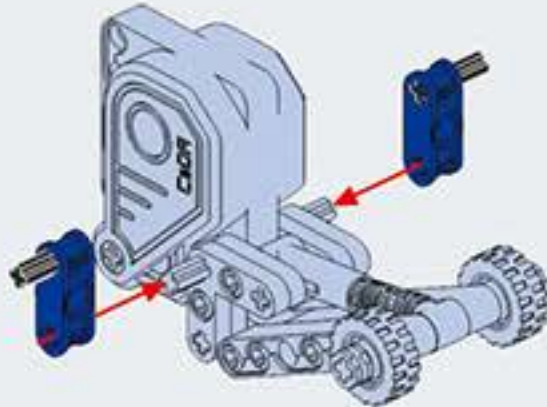
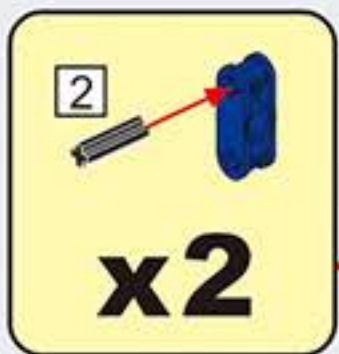




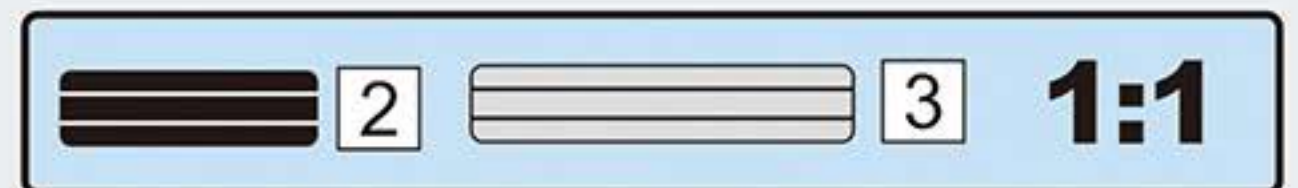
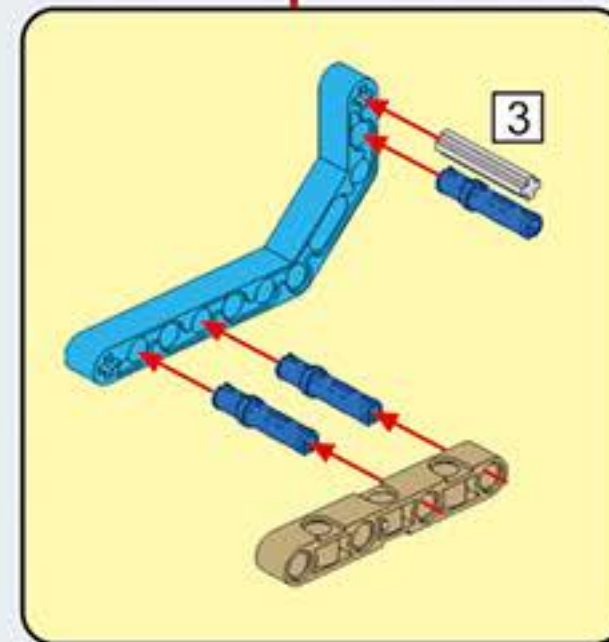
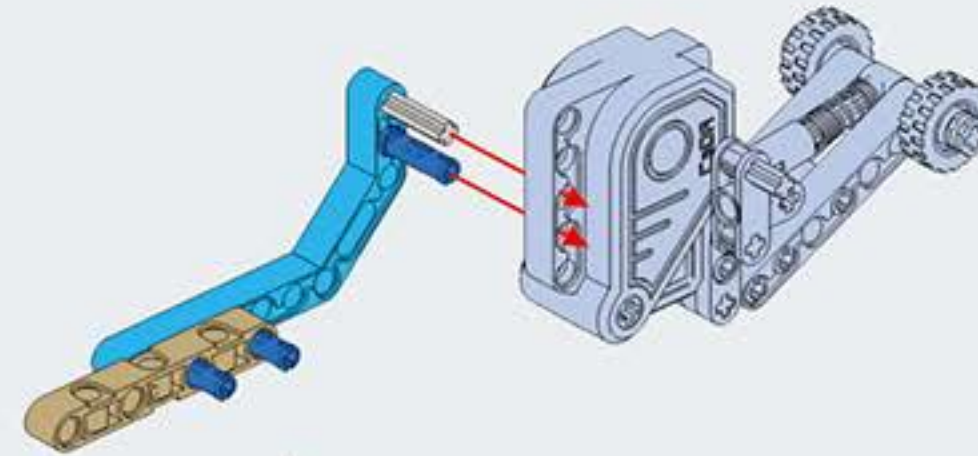
C3

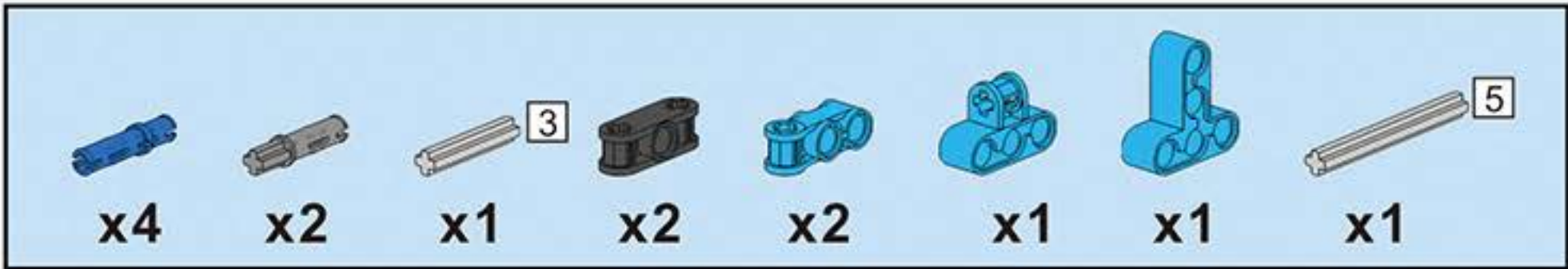


C4

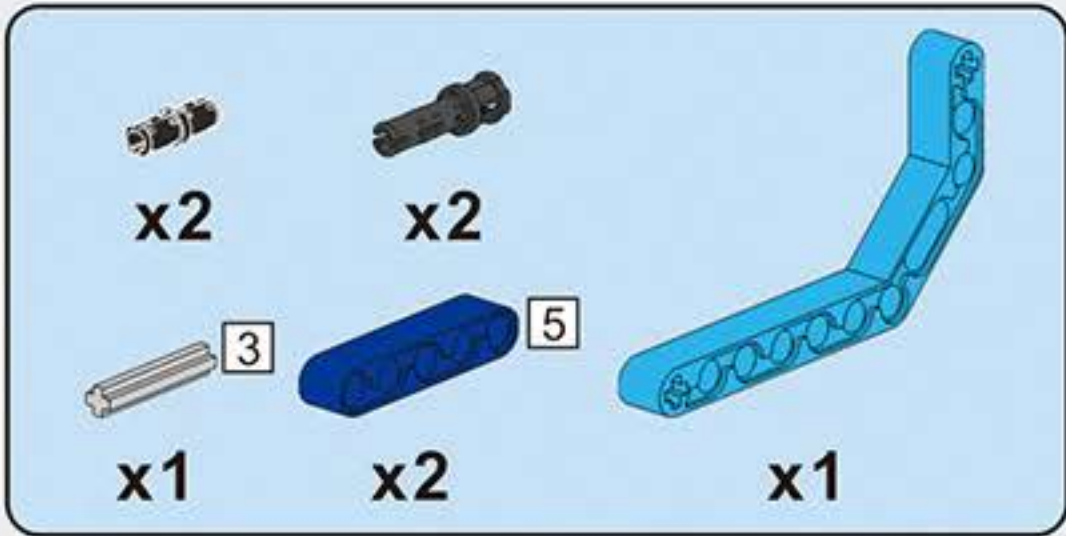
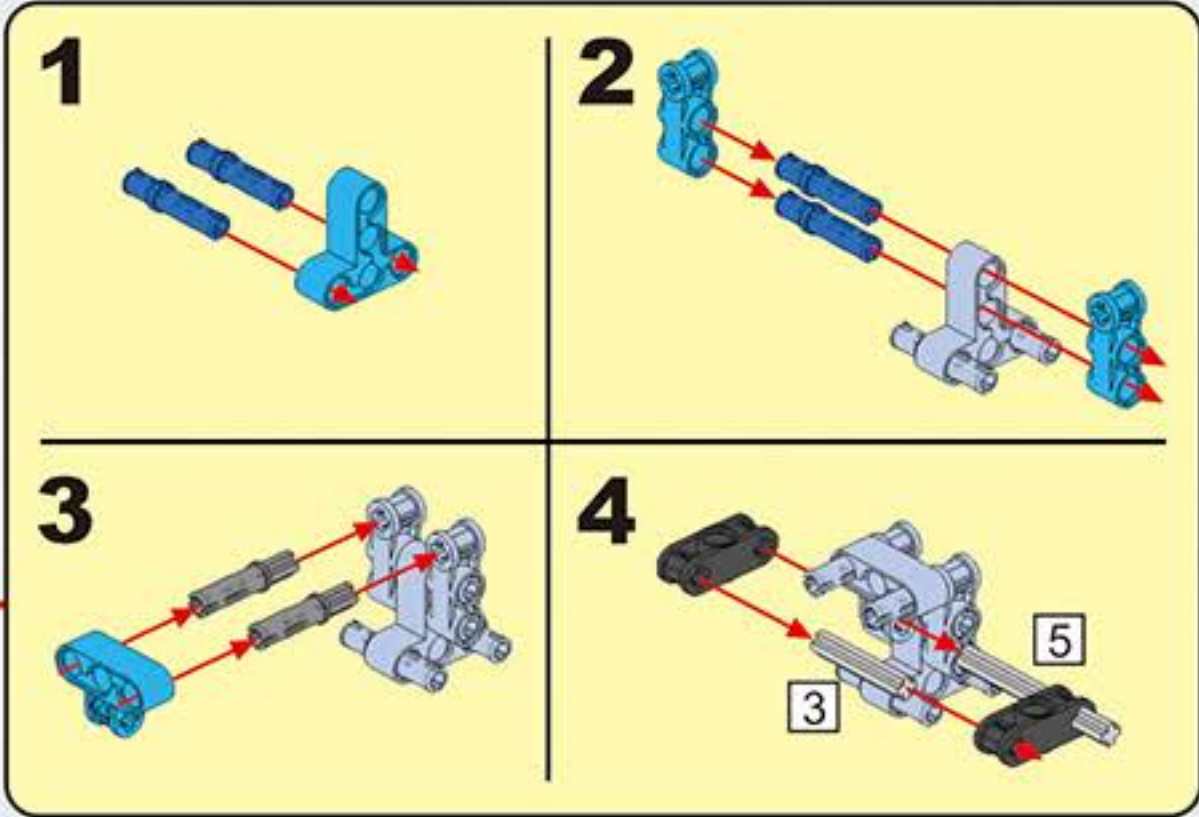
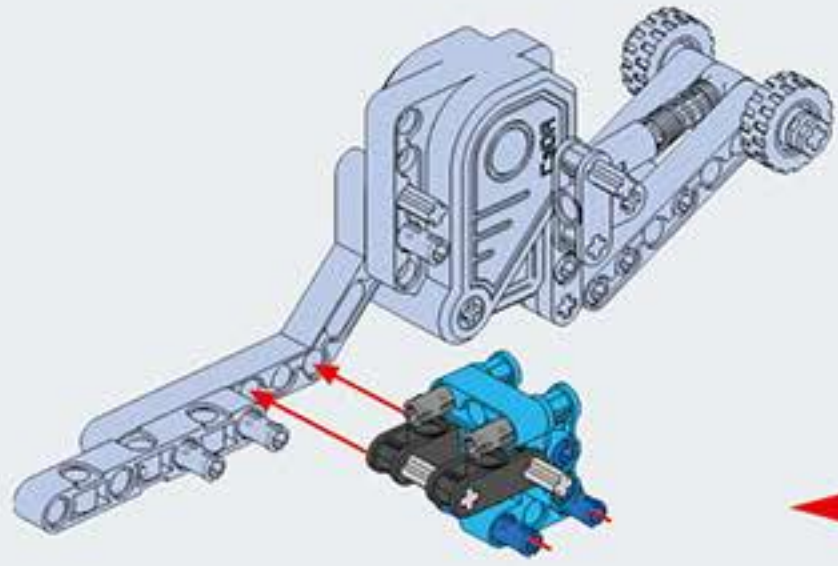


C5

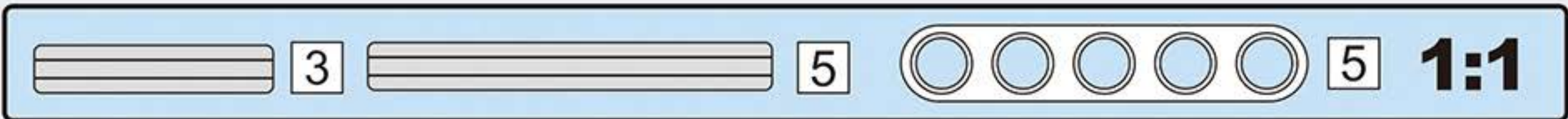
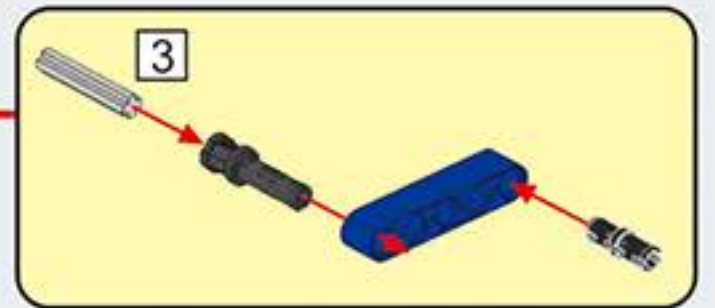
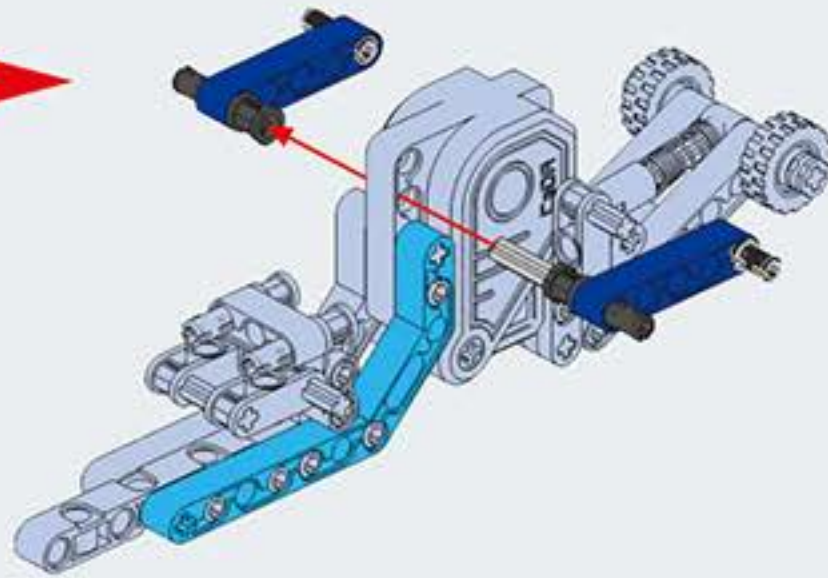
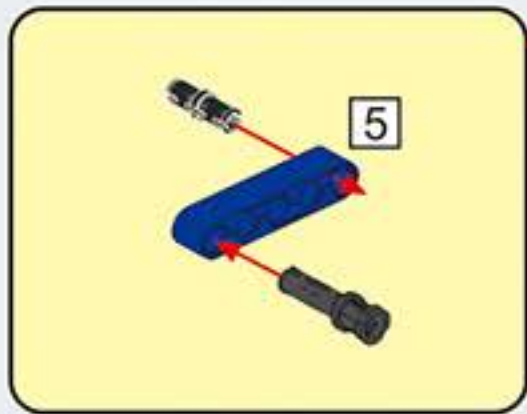


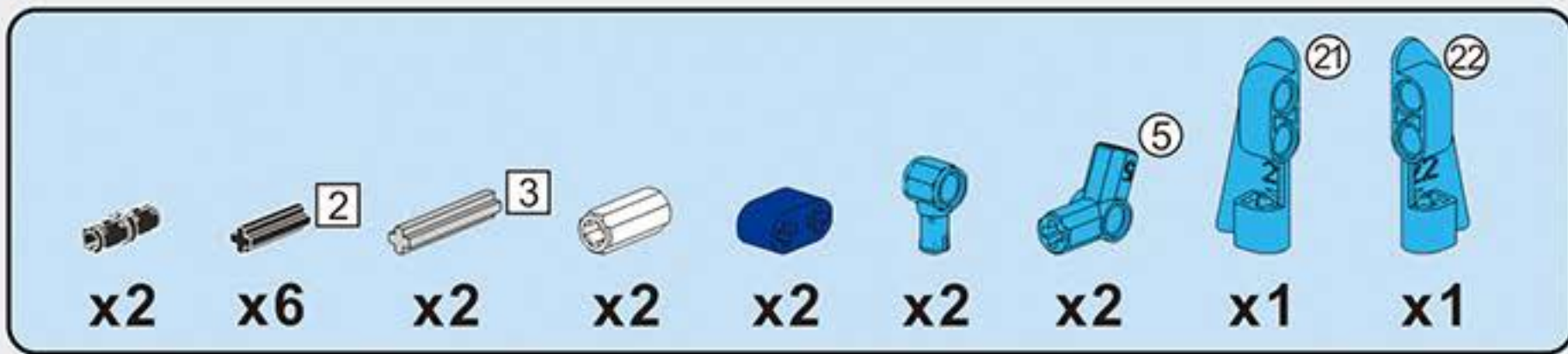


C6

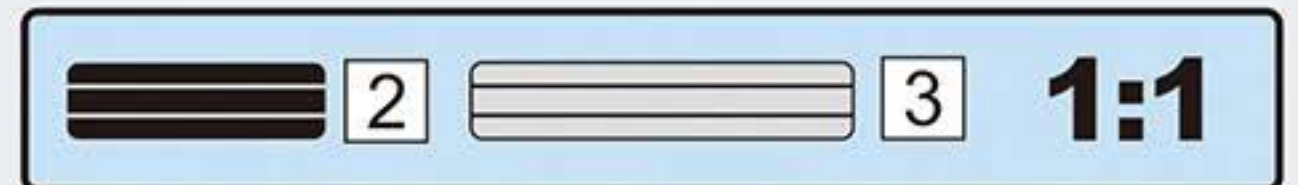
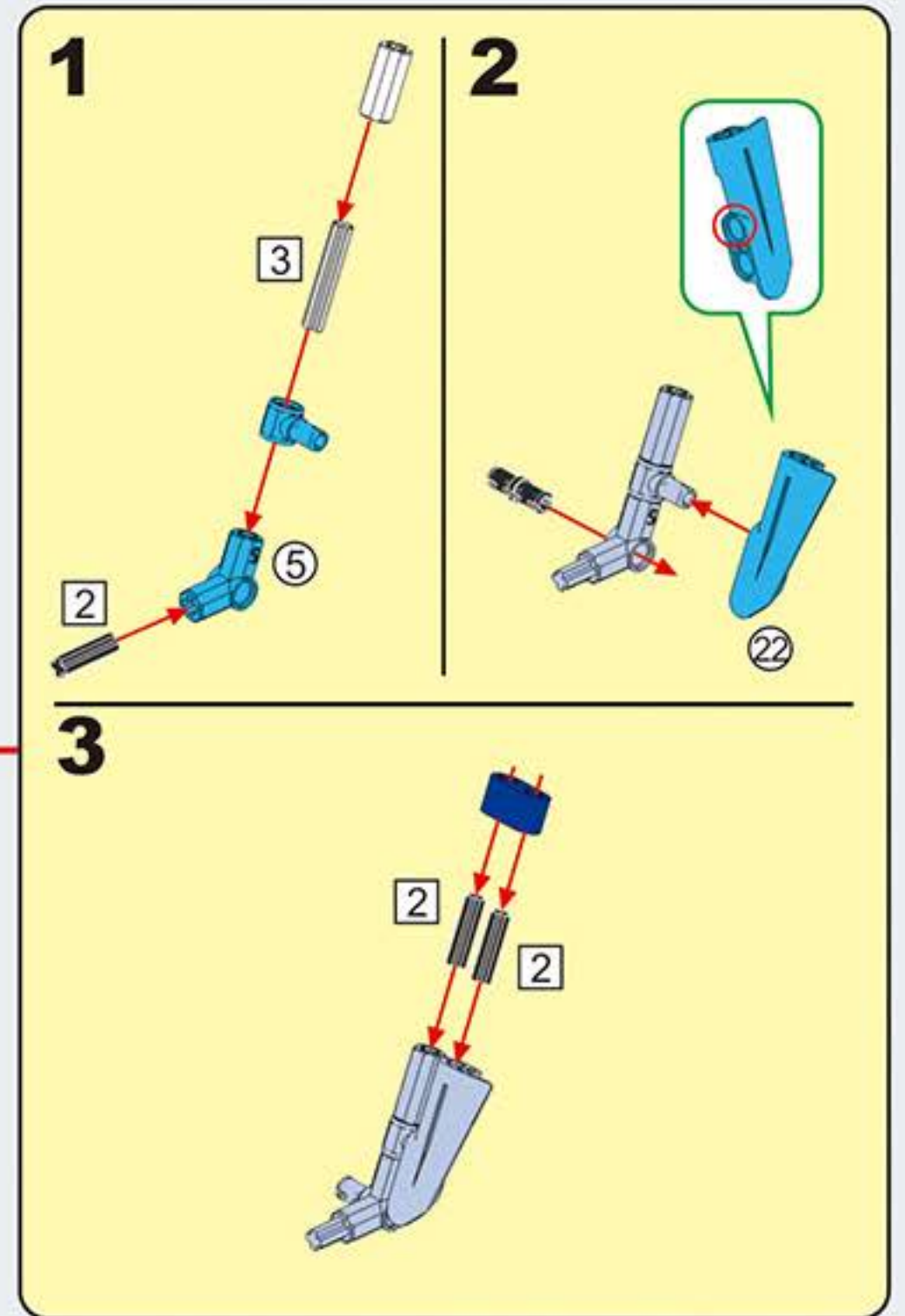
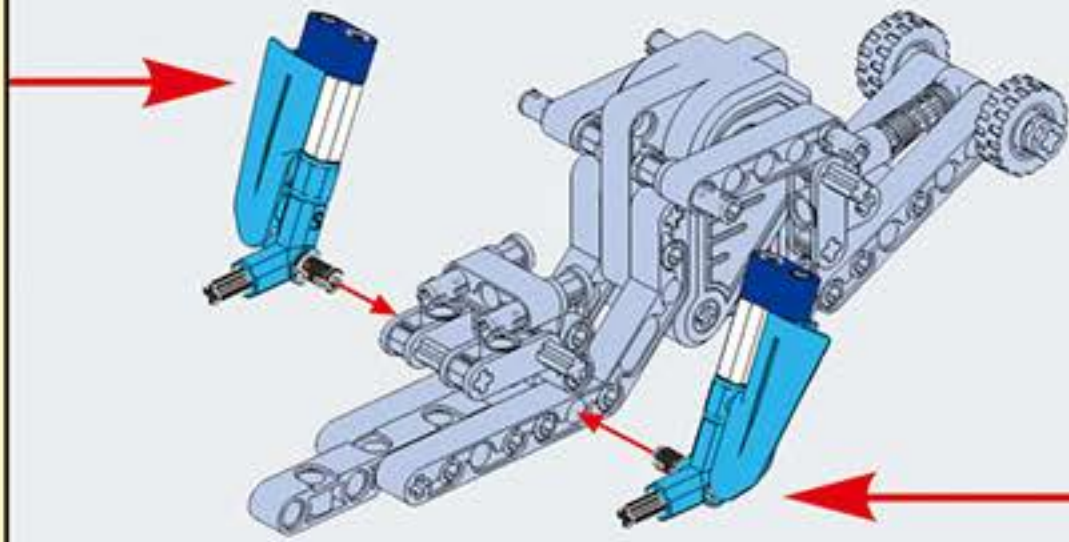
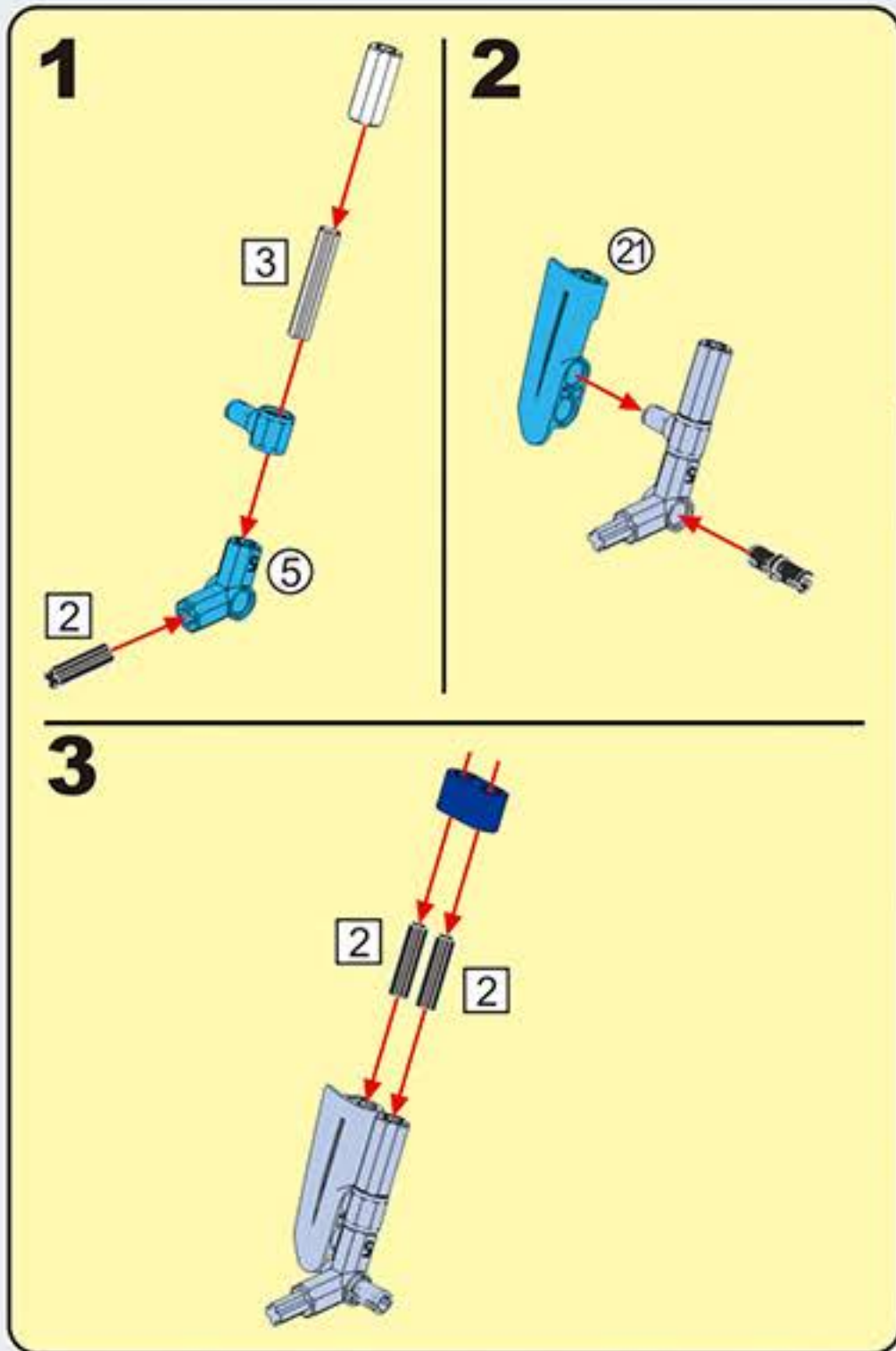


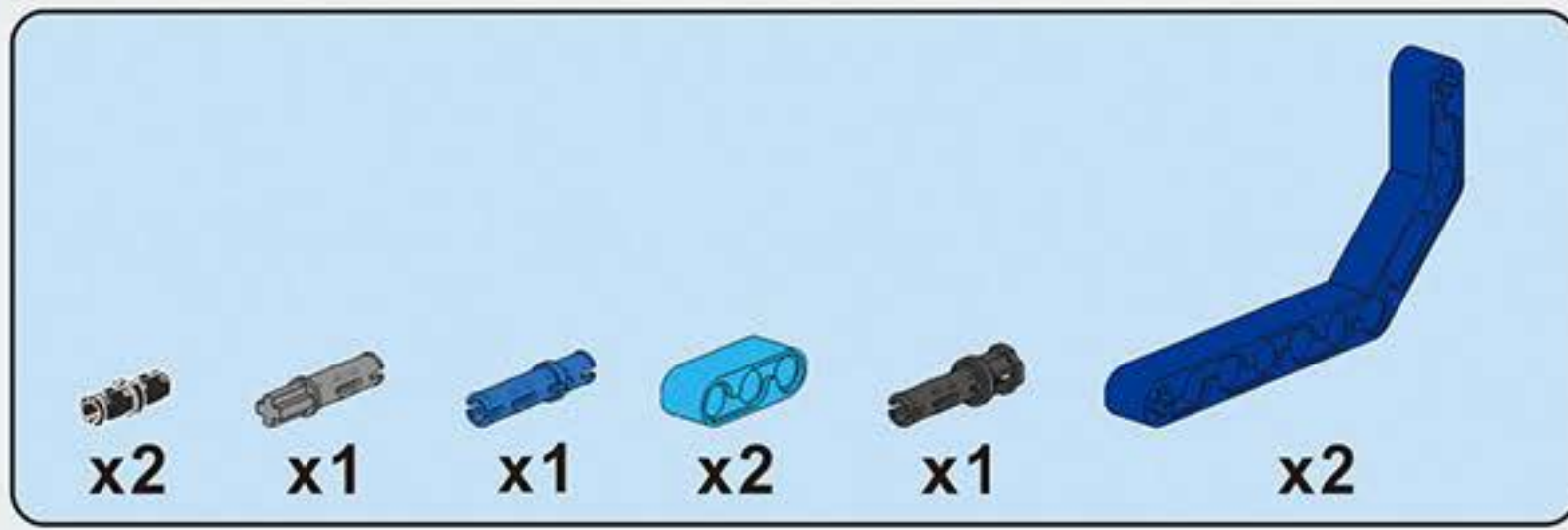
C7



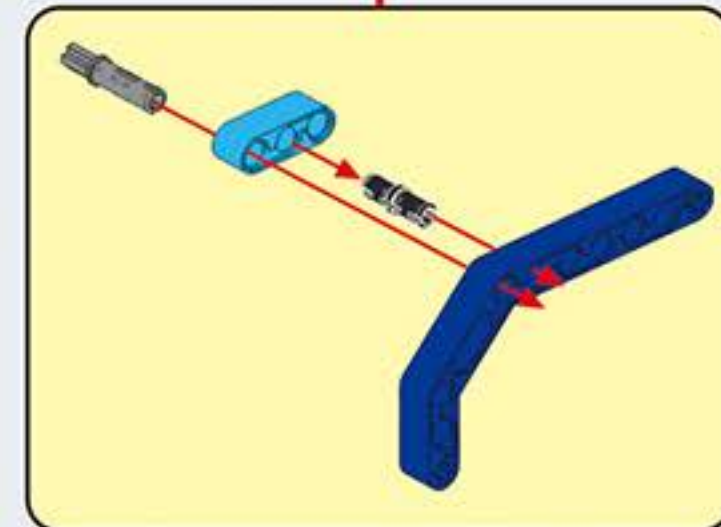
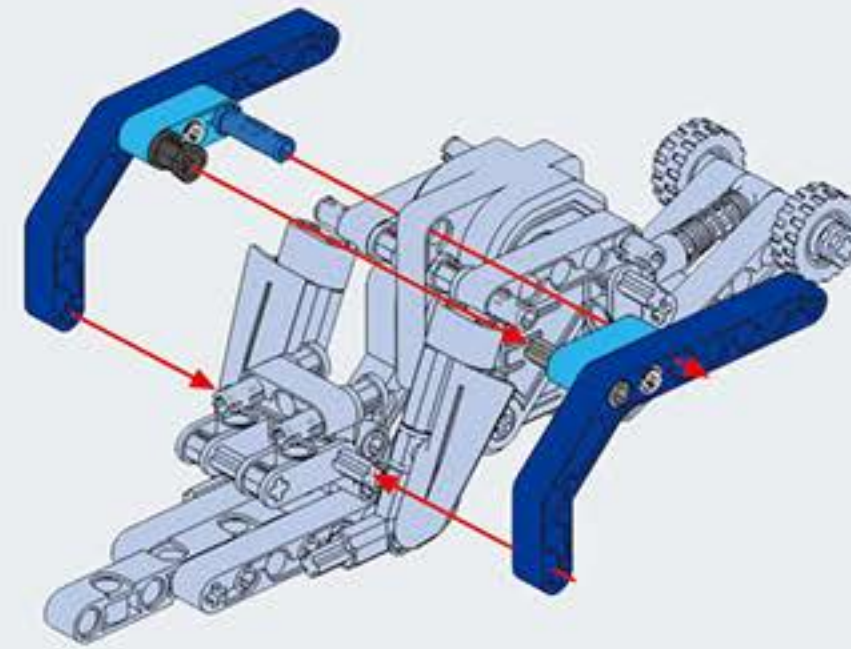
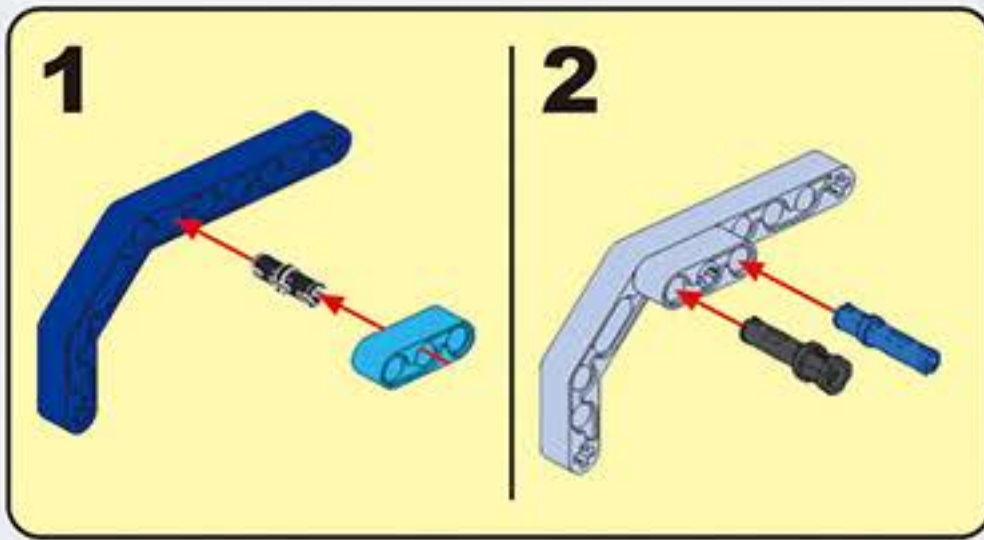


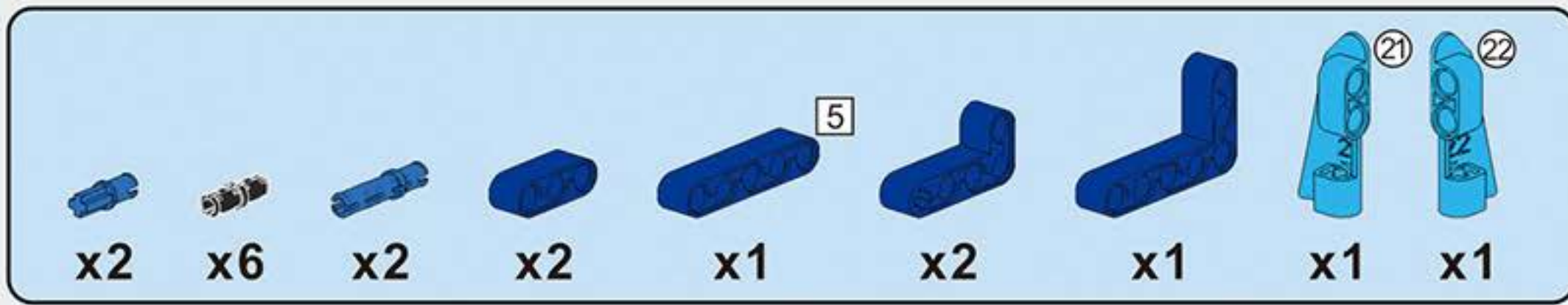
C8



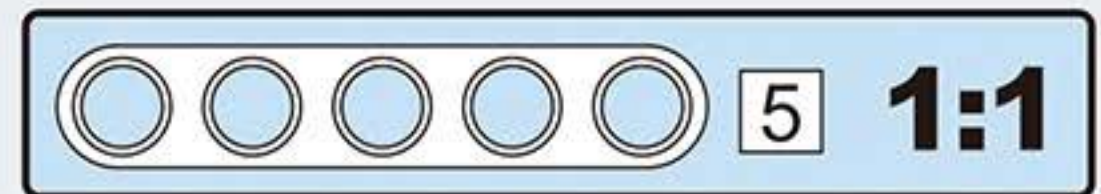
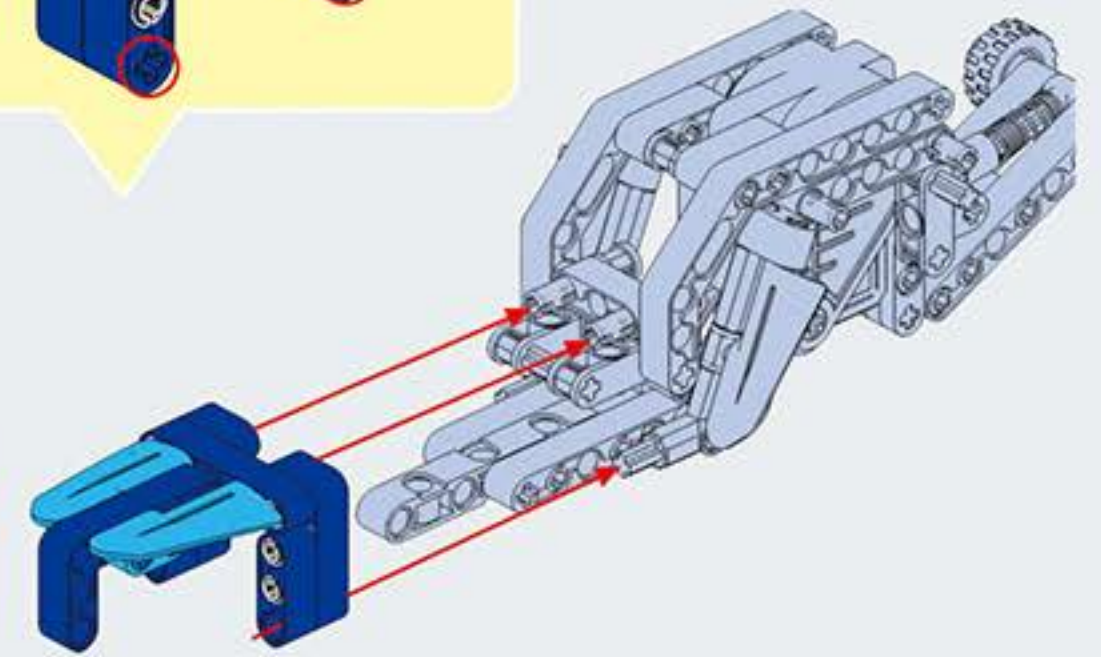
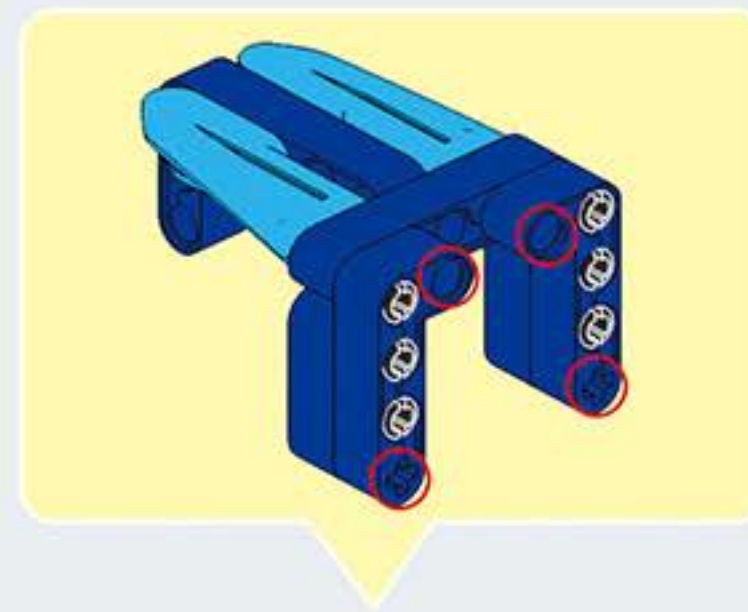
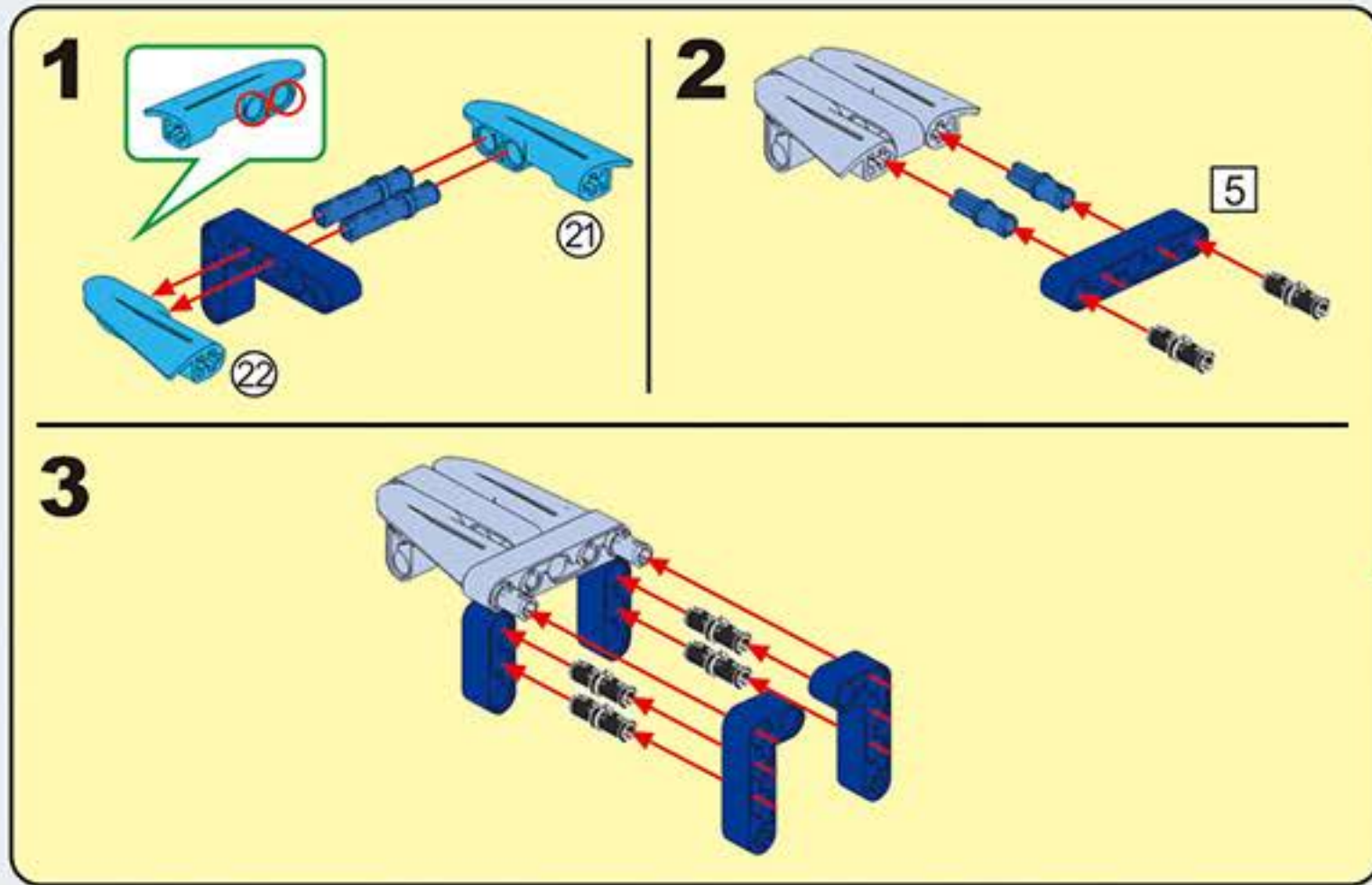


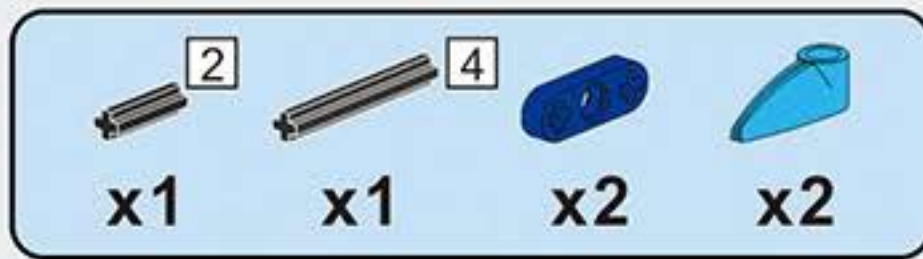
C9



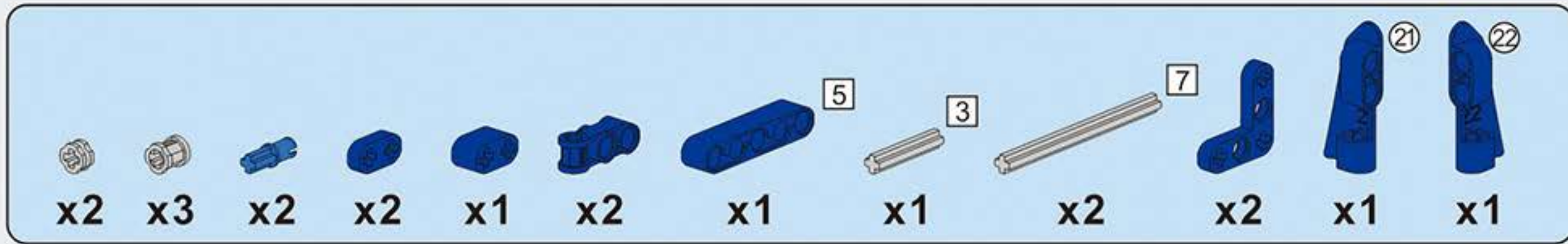
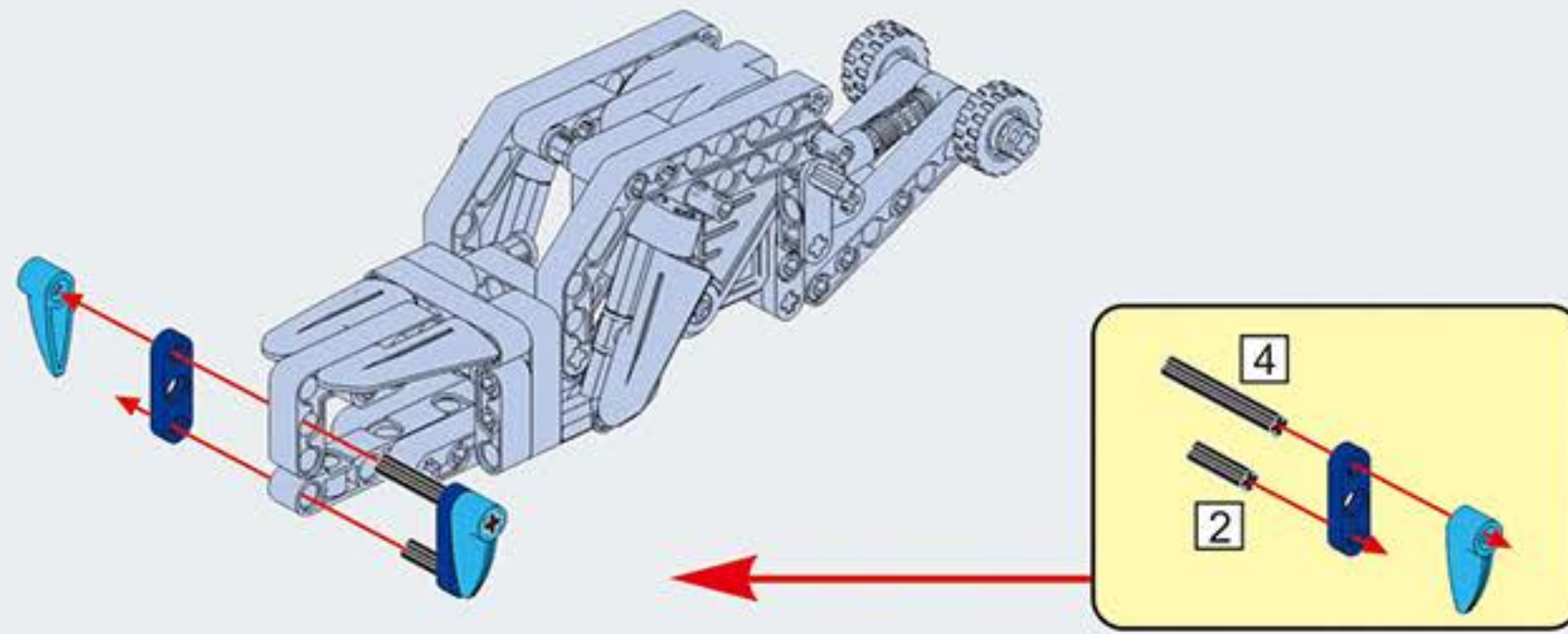


C10

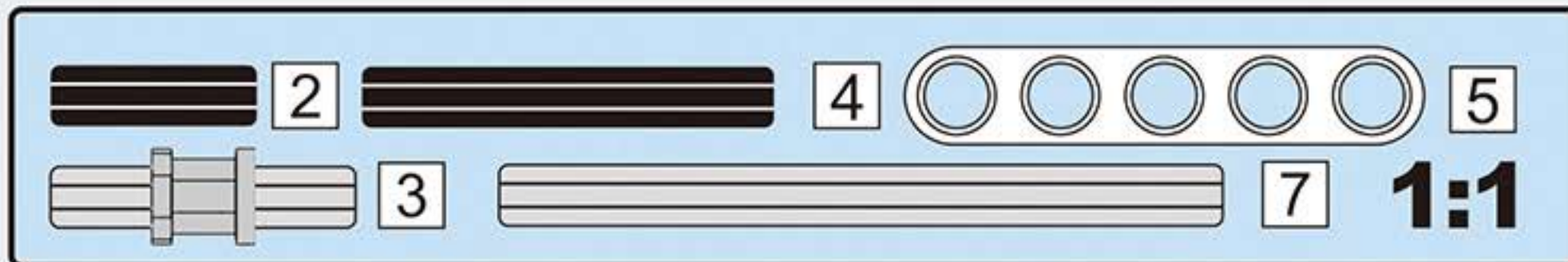
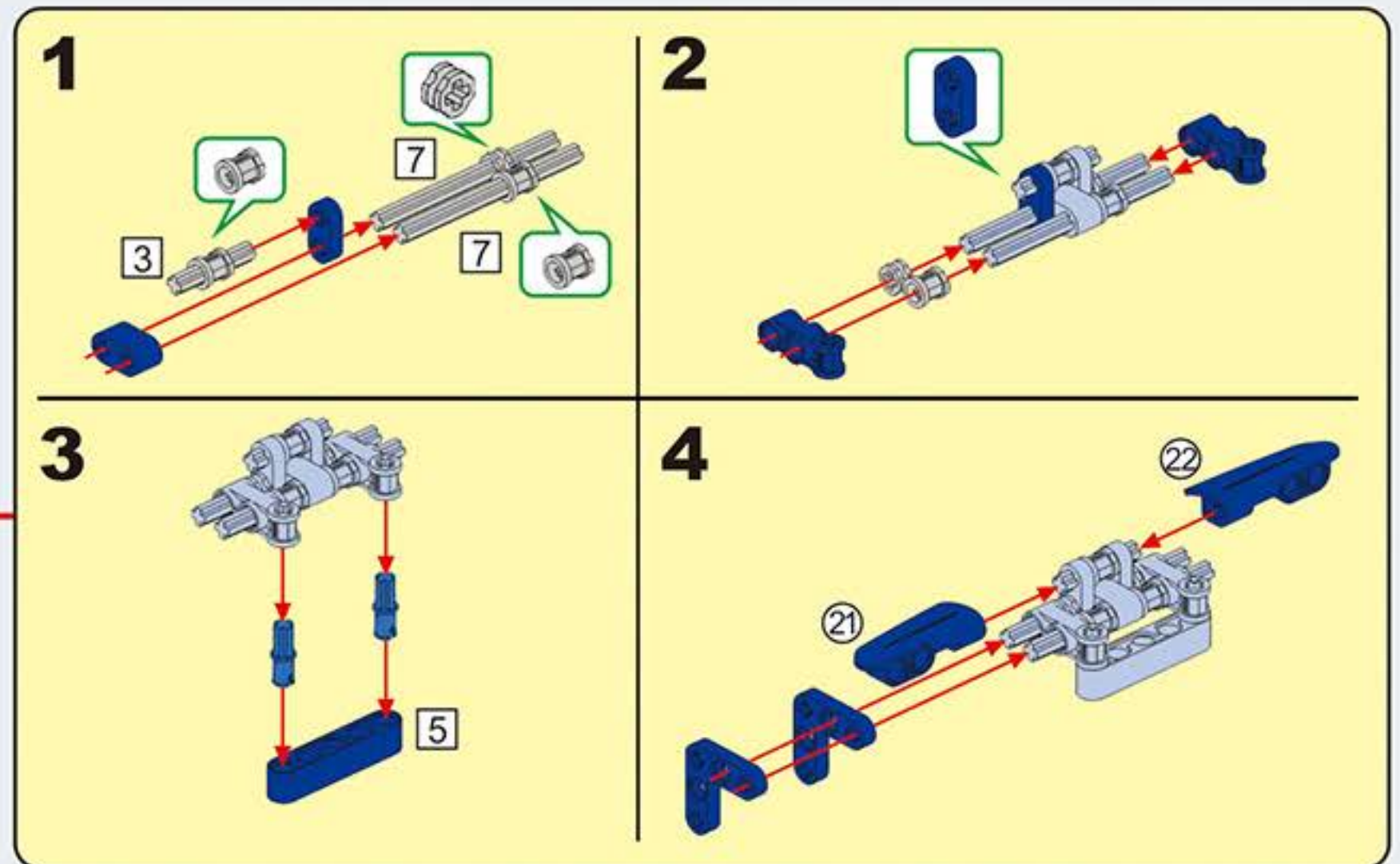
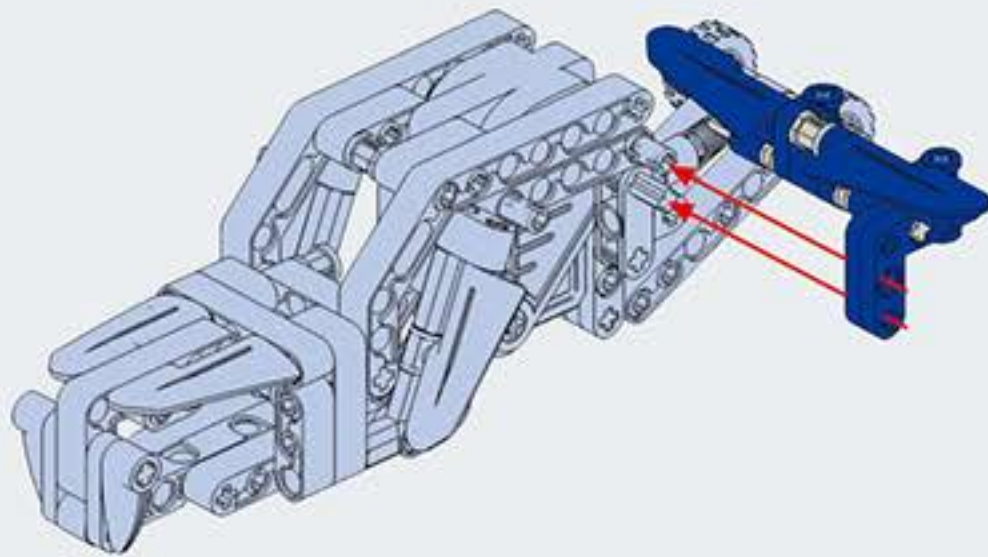




C11

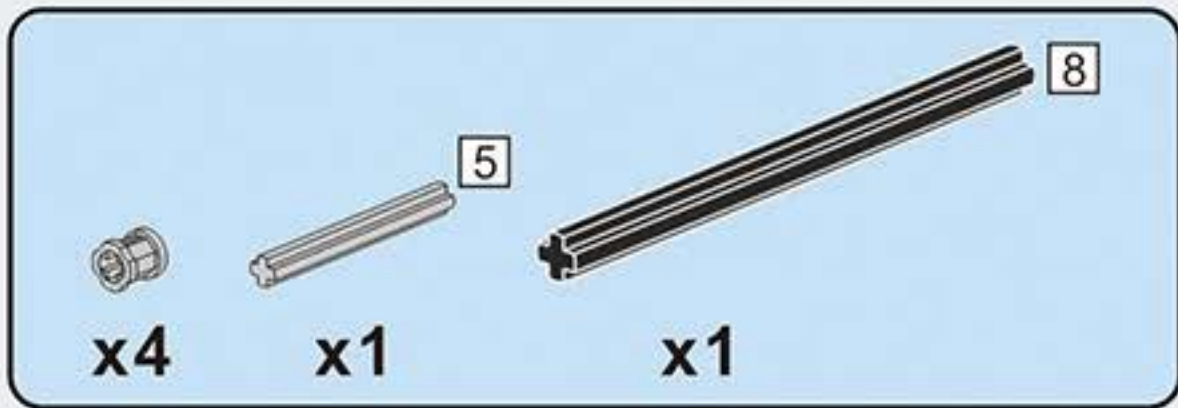
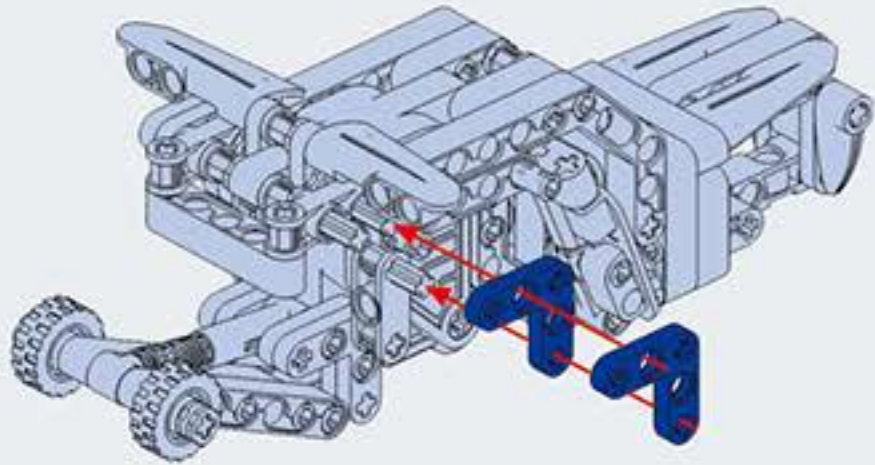


C12

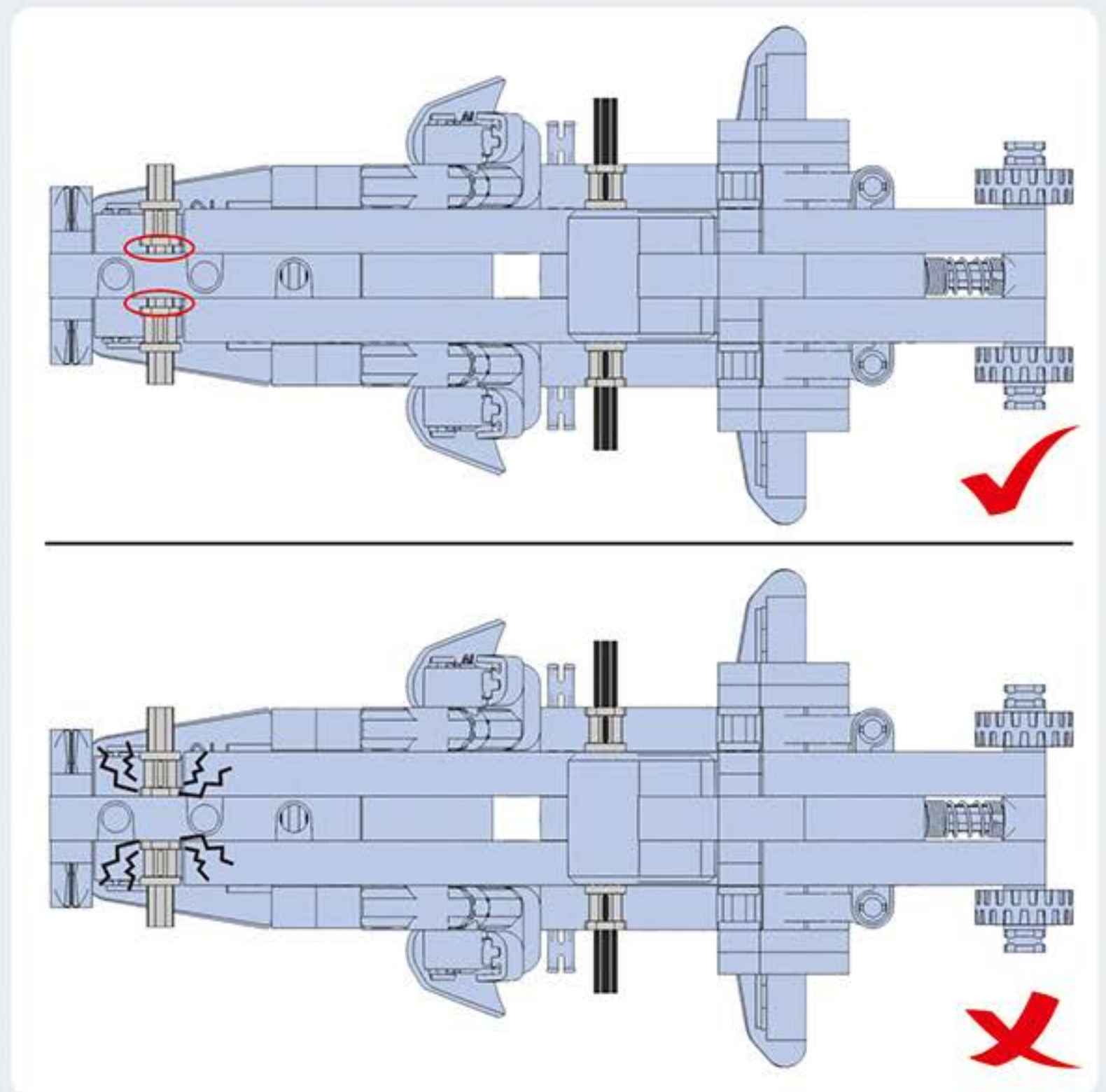
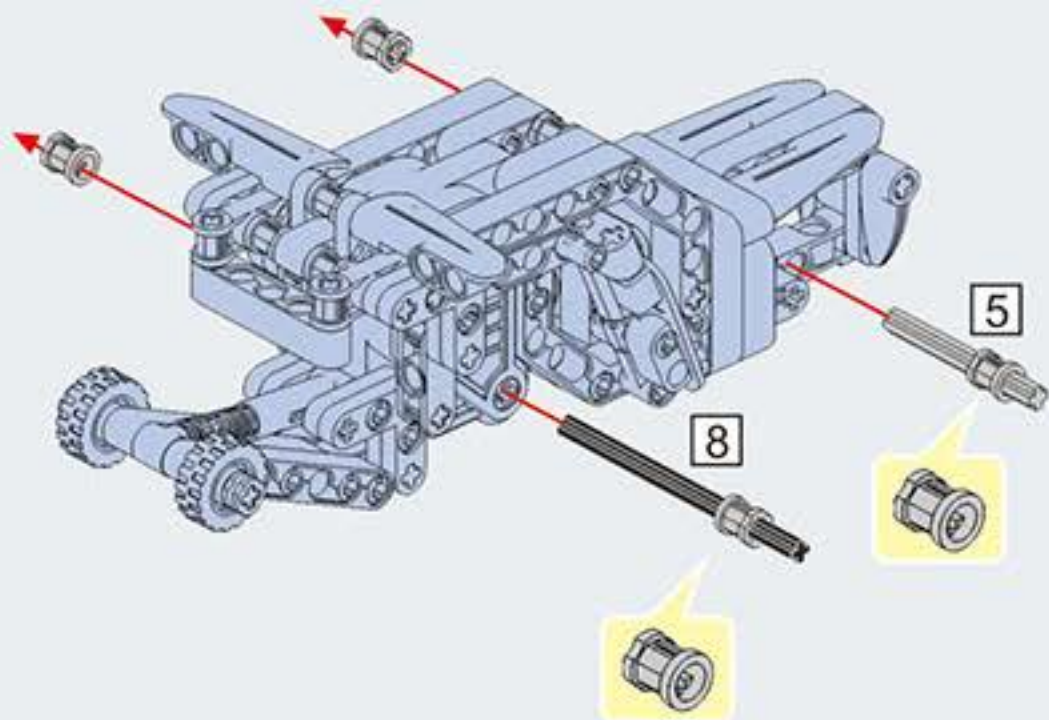


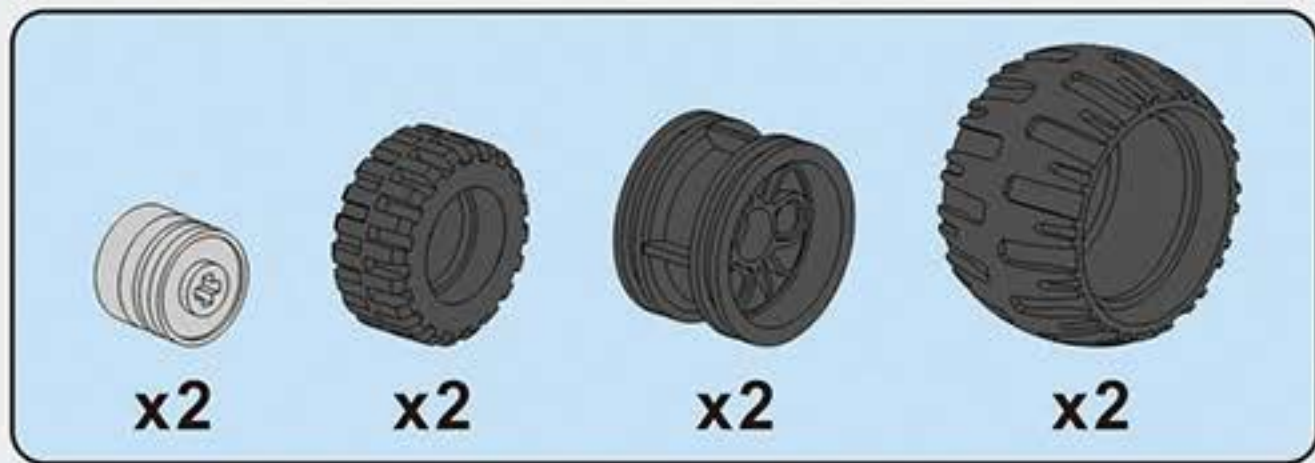


C13

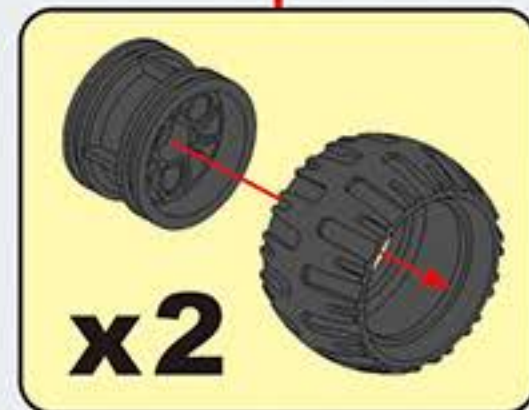
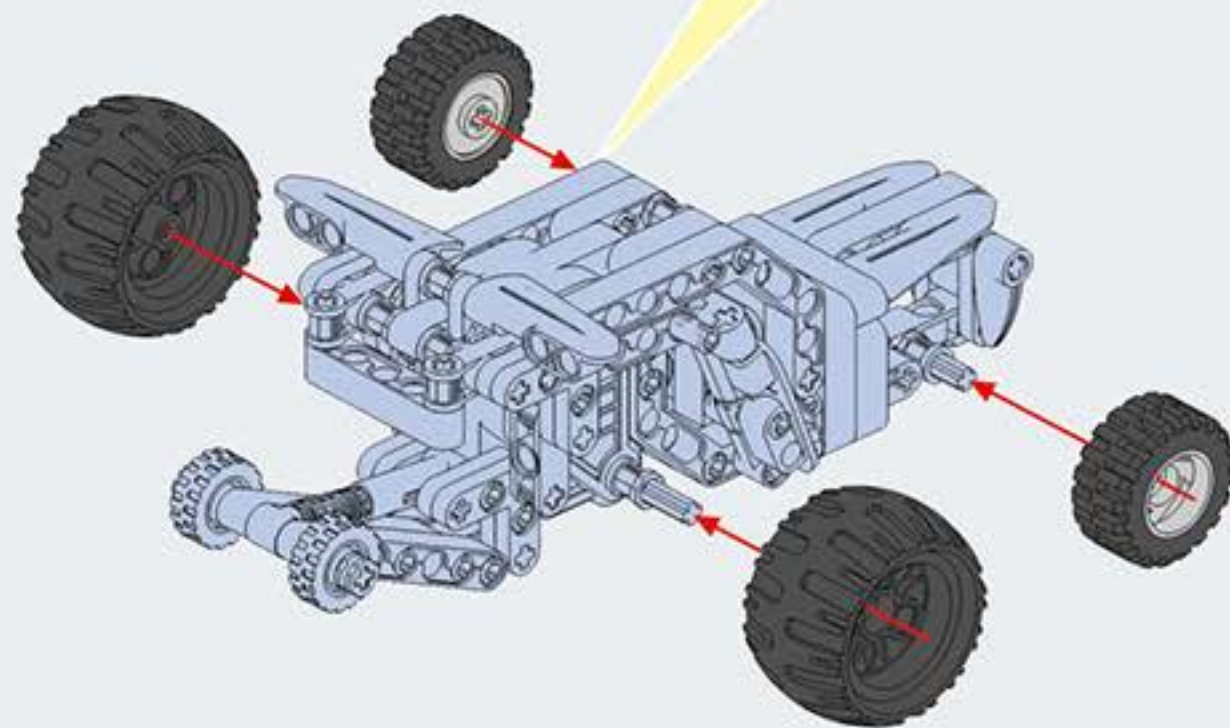
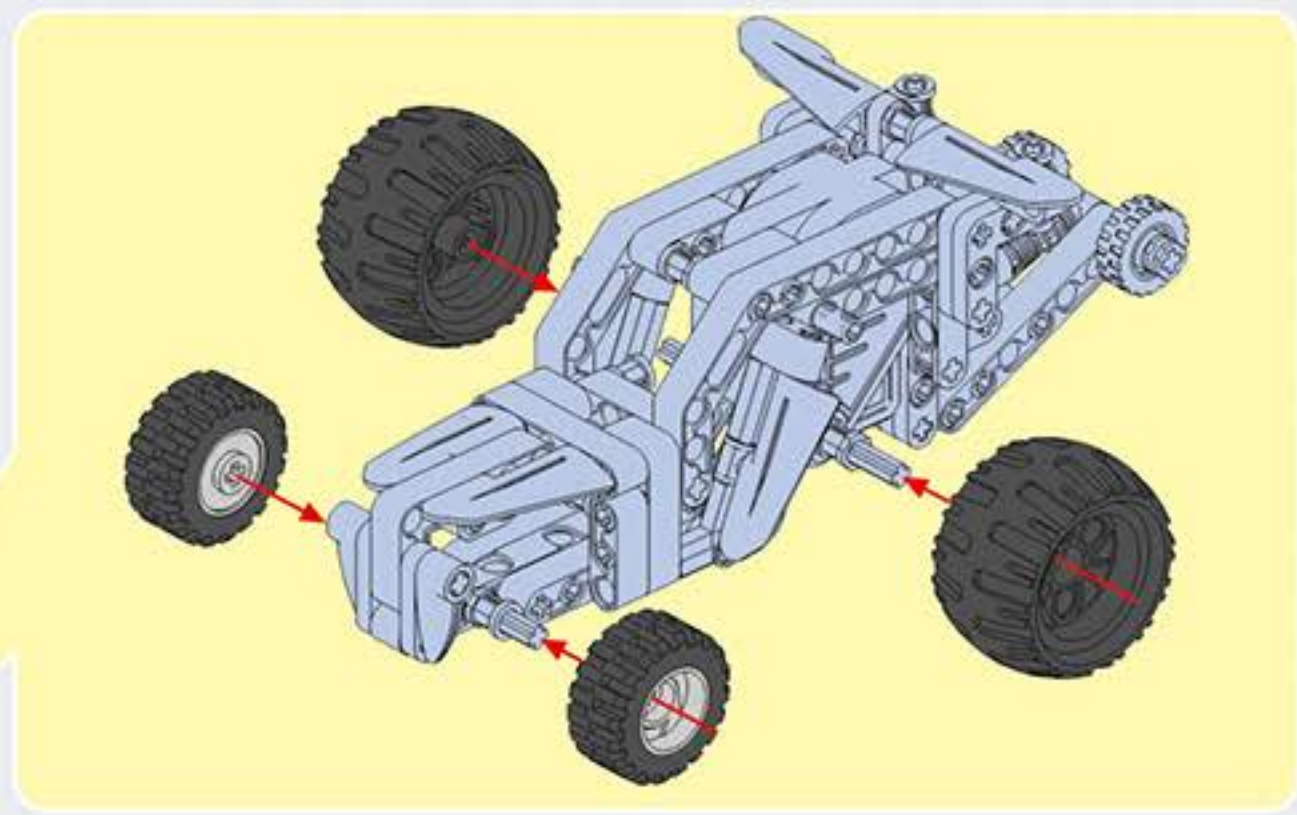


C14

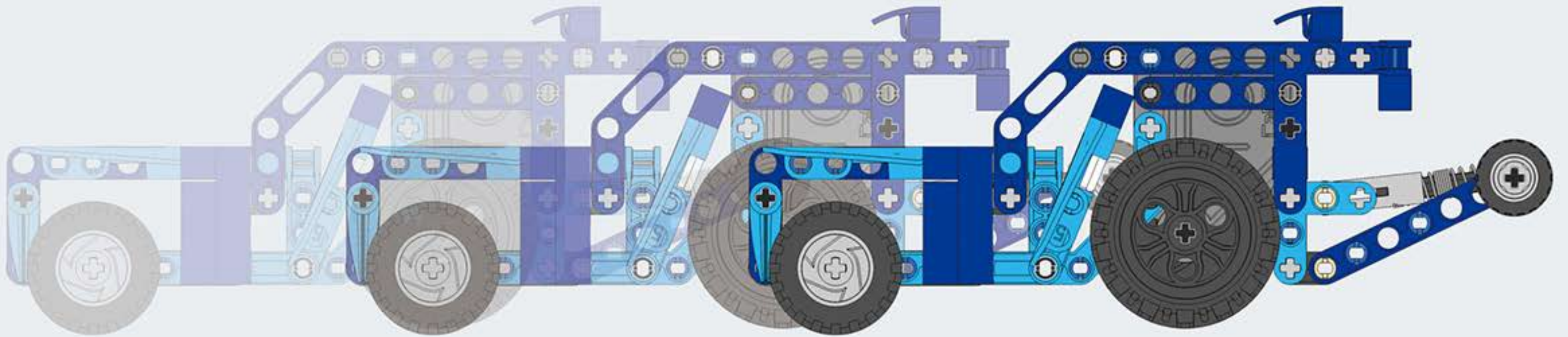




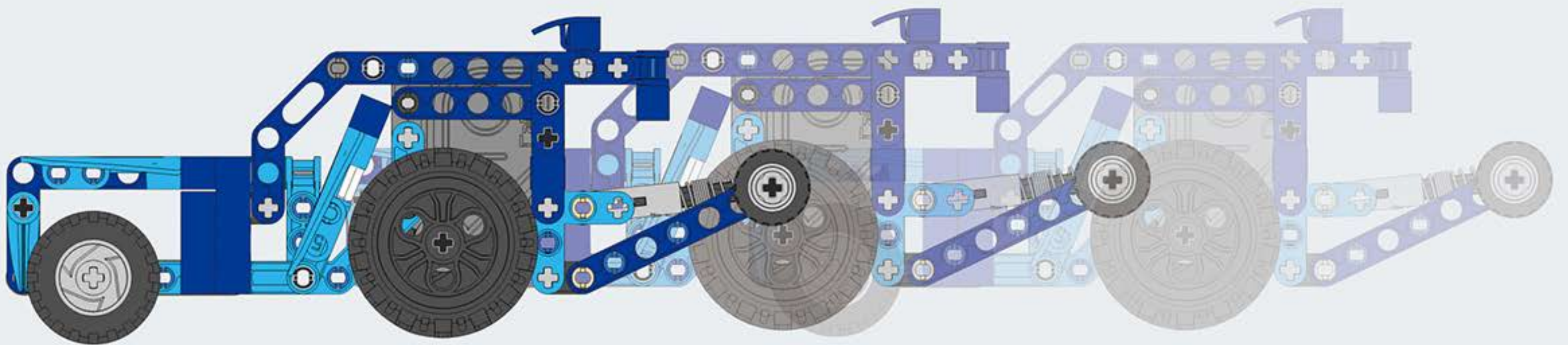
C15










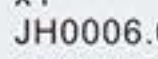



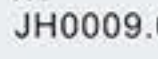
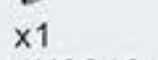


1



2





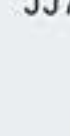
-  x2
JA1004.09
-  x2
JA3030.09
-  x2
JD2011.05
-  x2
JD2012.05
-  x2 [2]
-  x14
JH0011.01
-  x10
JH0013.01
-  x1
JH0005.01
-  x5
JH0004.01
-  x1
JH0006.01
-  x3
JH0007.01
-  x1
JH0008.01
-  x1
JH0009.01
-  x1
JH0012.01
-  x2
JH0046.01

-  x2
JH0062.01
-  x1
JH0061.01
-  x7
JH1017.01
-  x10
JH1018.01
-  x2
JH1019.08
-  x2
JH1019.11
-  x19
JH2015.01
-  x34
JH2016.01
-  x64
JH2025.01
-  x2
JH2043.01
-  x6
JH4023.01
-  x1
JH4023.13
-  x25
JH5001.01
-  x10
JH5020.02
-  x4
JH5026.13
-  x2
JH5026.12


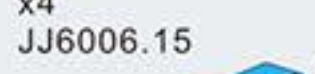









-  x2
JH5032.14
-  x6
JH5032.13
-  x3
JH5041.14
-  x4
JH5044.01
-  x4
JH5064.01
-  x1
JH5078.01
-  x2 [2]
-  x2 [6]
-  x1
JH6028.09
-  x2 [5]
-  x2
JH6029.11
-  x6 [3]
-  x6
JH6031.01
-  x4 [3]
-  x4
JH6031.07
-  x2 [3]
-  x2
JH6031.08
- x2
JH6033.02
- x3
JH6037.01
- x2
JH6037.14

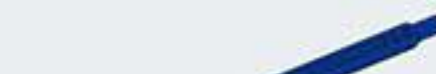










-  x2
JH6038.02
-  x8
JH6038.11
-  x5
JH6038.12
-  x5
JH6039.14
-  x2
JH6039.13
-  x5
JH6040.01
-  x1
JH6048.03
-  x1
JH6050.01
-  x2
JH6050.08
-  x1
JH8067.05
-  x1
JJ0020.13
-  x3
JM0013.01
-  x2
JM4024.01
-  x2
JR4013.01
-  x1
JX0041.01
















-  x1
JX1044.01
-  x4
JM3019.01
-  x2
JX4042.09
-  x2
JJ4022.11
-  x6
JJ4022.12
-  x4
JJ4024.01
-  x2
JJ4025.03
-  x2
JJ4025.11
-  x2
JJ4025.12
-  x8
JJ4029.12
-  x2
JJ4030.10
-  x4
JJ5026.12
-  x4
JJ5026.11
-  x2
JJ7011.02

-  x8
JJ7011.14
-  x4
JJ7011.13
-  x2
JJ7012.02
-  x6
JJ7012.15
-  x2
JJ7017.13
-  x2
JJ7017.14
-  x2
JJ7013.13
-  x2
JJ7015.12
-  x3
JJ7015.13
-  x2
JJ7016.15
-  x2
JJ7016.14

-  x7
JJ6018.04
-  x2
JJ6019.01
-  x3
JJ6019.08
-  x1
JJ6031.12
-  x5
JJ6032.11
-  x2
JJ6033.07
-  x2
JJ6038.05
-  x1
JJ6003.11
-  x3
JJ6004.15
-  x2
JJ6004.10
-  x5
JJ6005.16
-  x2
JJ6005.17
-  x2
JJ6006.01
-  x2
JJ6006.12

-  x4
JJ6006.15
-  x1
JJ6007.11
-  x2
JJ6008.02
-  x2
JJ6009.02
-  x2
JJ6009.16
-  x2
JJ6010.14
-  x2
JJ6035.13
-  x1
JJ6036.13
-  x2
JJ6037.10
-  x2
JJ6051.02
-  x1
JJ6051.03

-  x2
JR3011.05
-  x2
JR3011.06
-  x2
JR3011.03
-  x1
JR3012.02
-  x1
JR3012.03
-  x1
JR3012.01
-  x3
JR3012.05
-  x1
JJ2049.02
-  x2
JX4039.07
-  x2
JX4039.14
-  x1
JV5003.01

-  x2
JX4035.24
-  x2
JX4035.26
-  x1
Jx4033.26
-  x1
JX4033.16
-  x1
JX4045.14
-  x2
JR4002.01
-  x4
JR4005.01
-  x2
Jx4055.07
-  x2
JX4035.23
-  x2
JX4035.25
-  x1
Jx4033.25
-  x1
JX4033.15
-  x1
JX4045.13
-  x4
JM3007.01
-  x2
JR4006.01

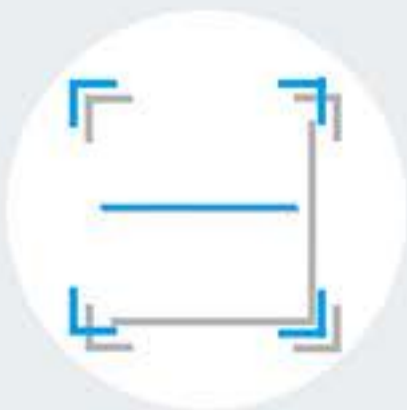
D



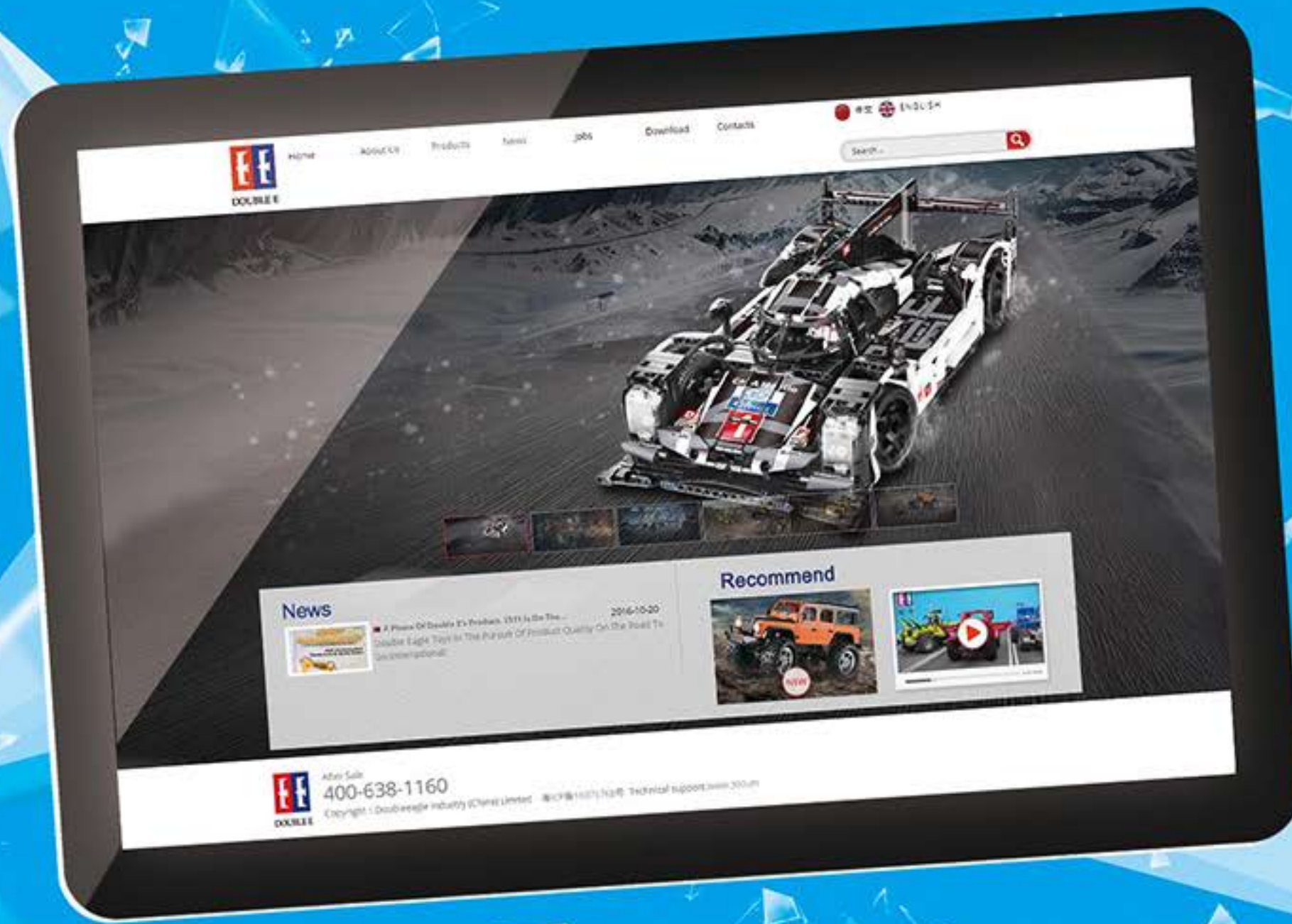
E



F



CaDA



C61016



C51051



C51053



www.doubleeagle.cc

