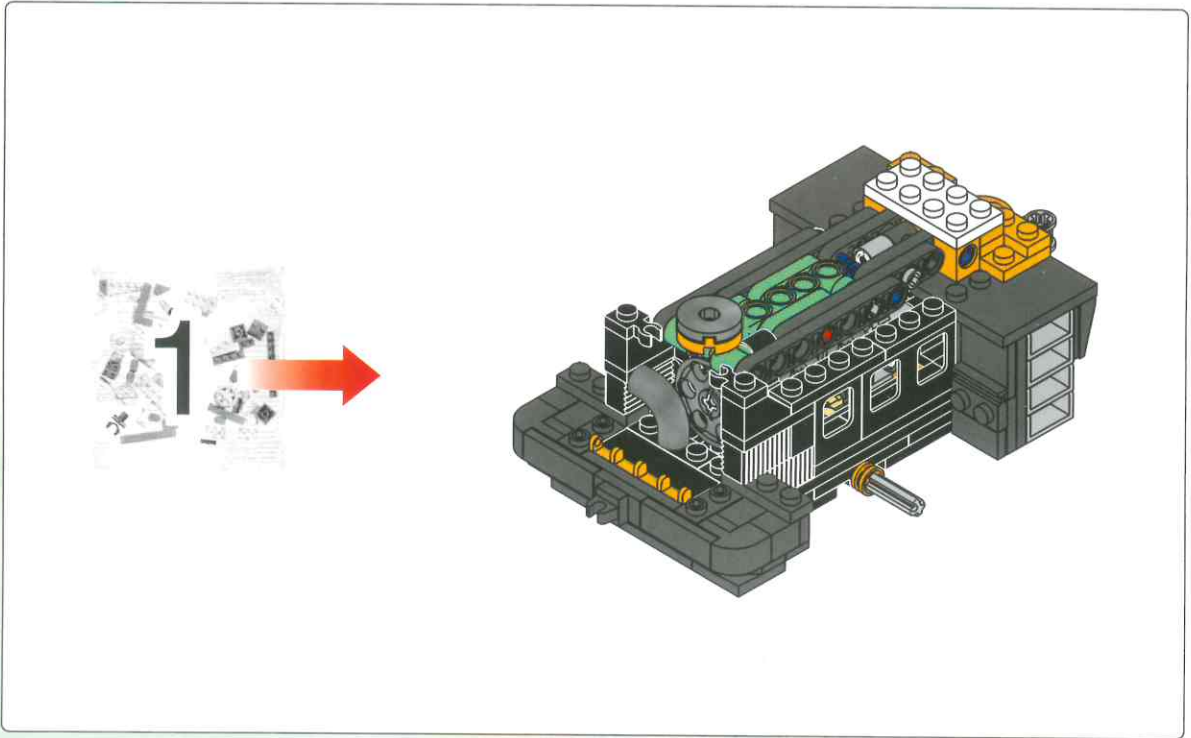


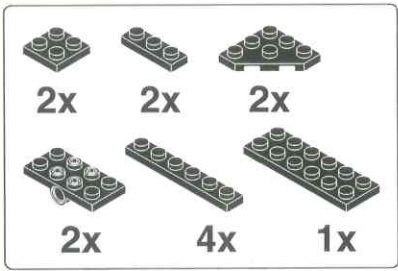
STRICT NORM



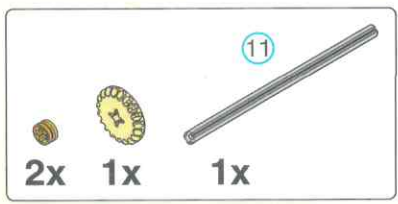
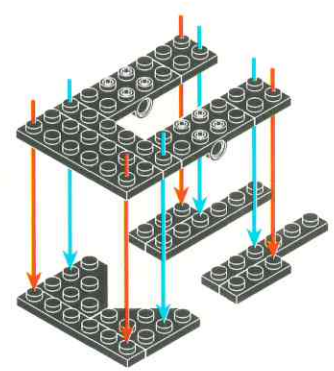
03035



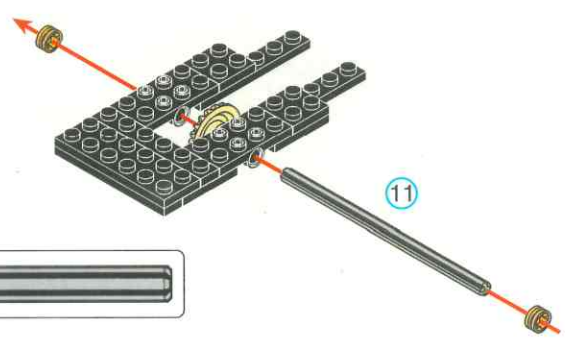
1

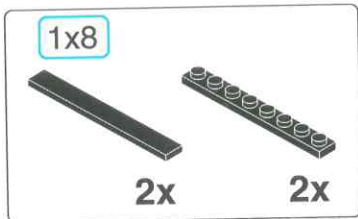


1-1

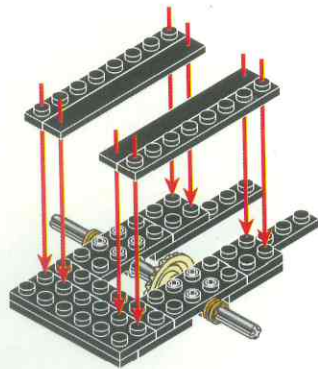


1-2

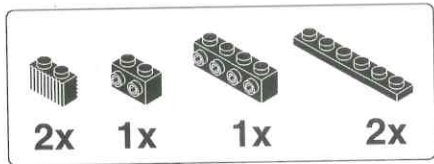




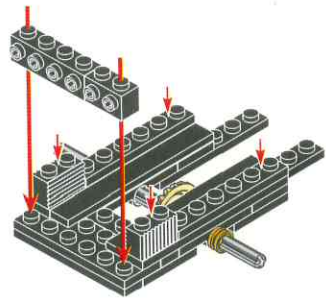
1-3

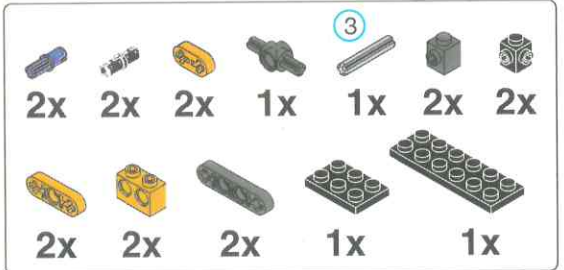


3

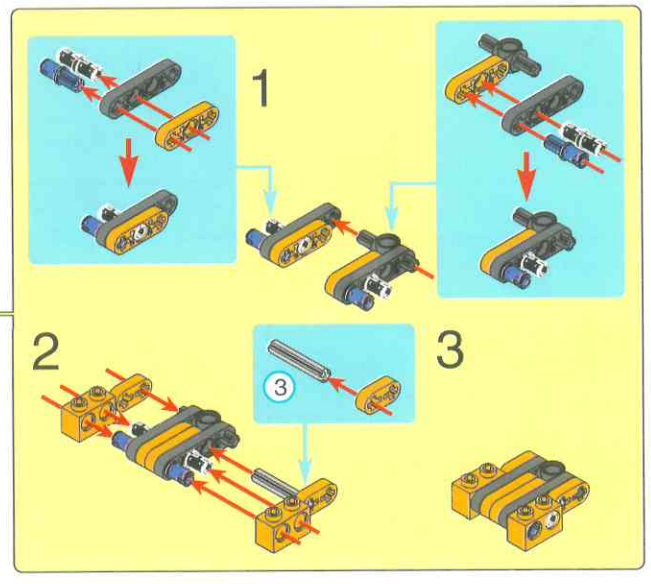
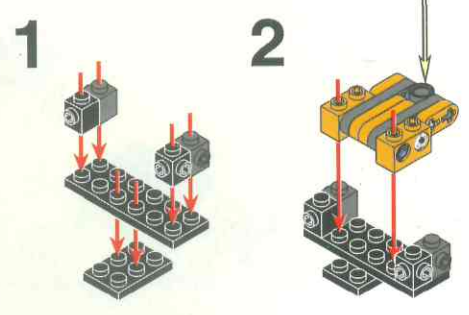


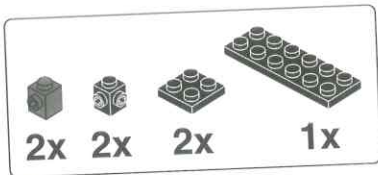
1-4



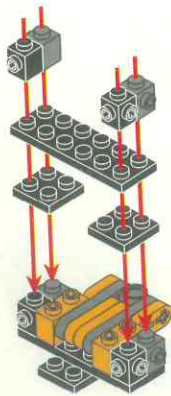


1-5 1:1

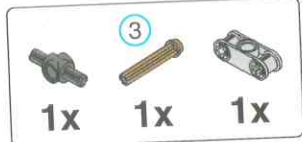




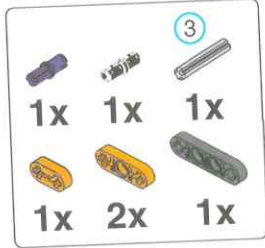
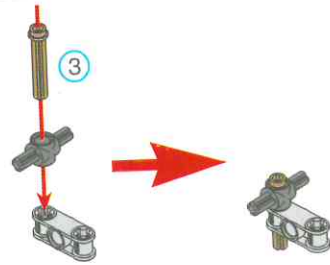
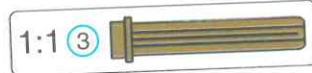
1-6



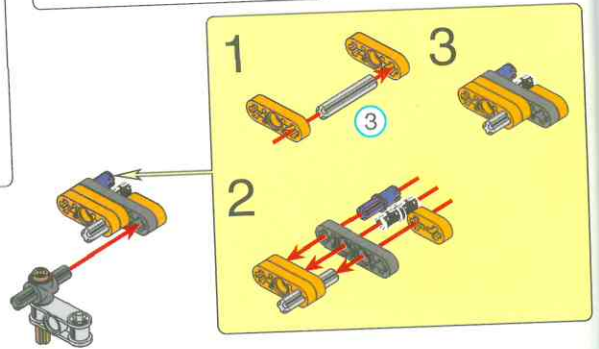
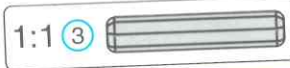
5

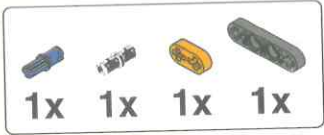


1-7.1

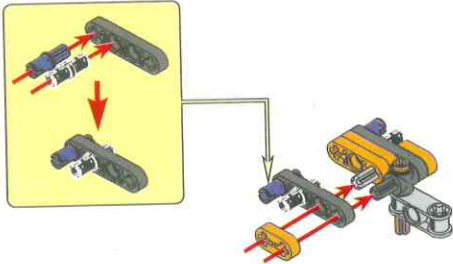


1-7.2

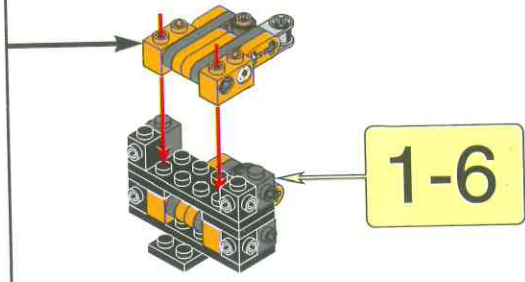
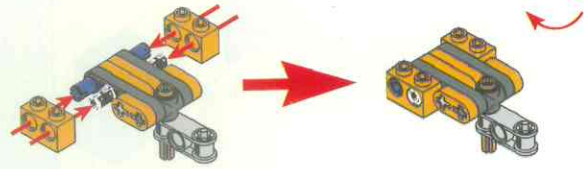


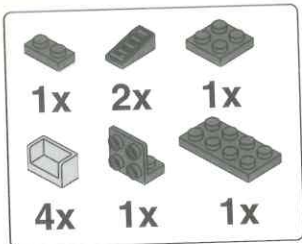


1-7.3

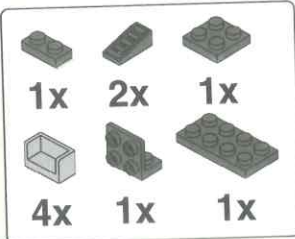
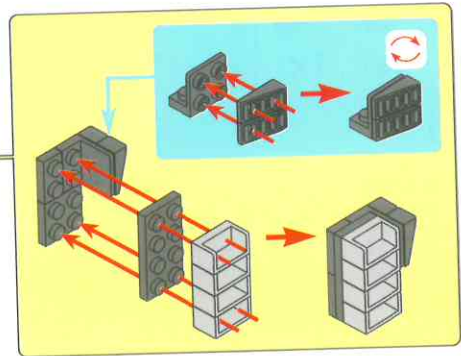
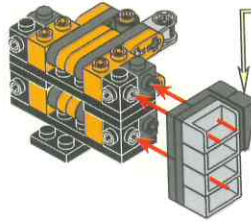


1-7.4



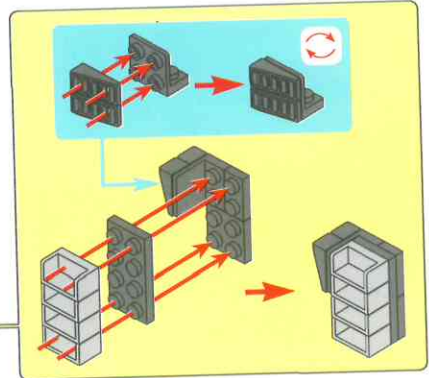
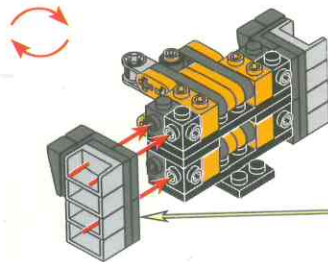


1-8



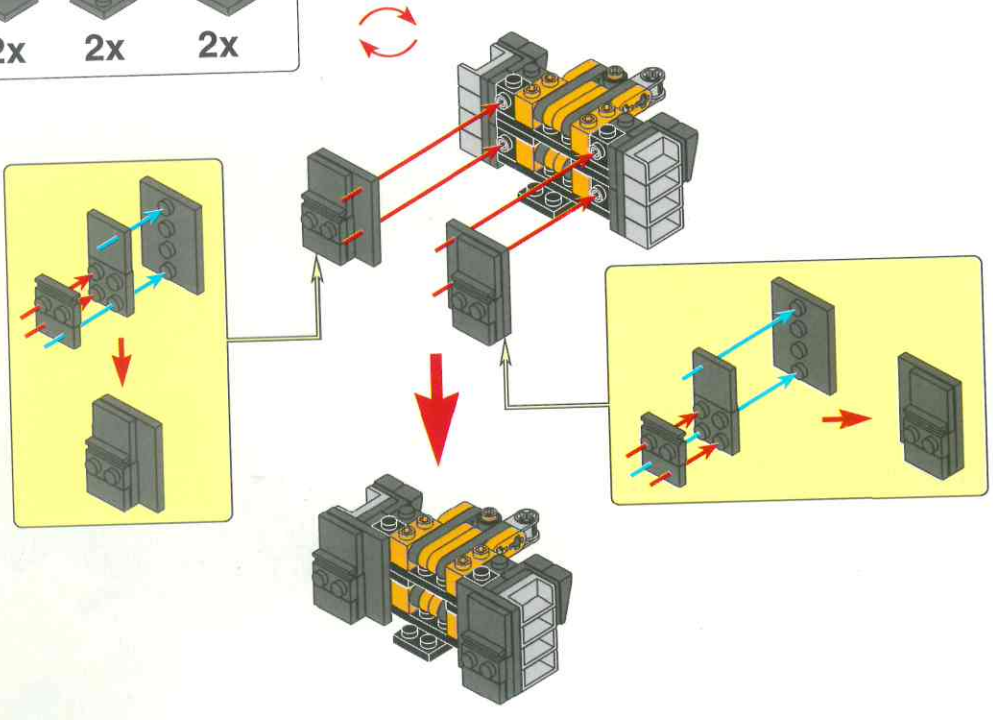
1-9

7

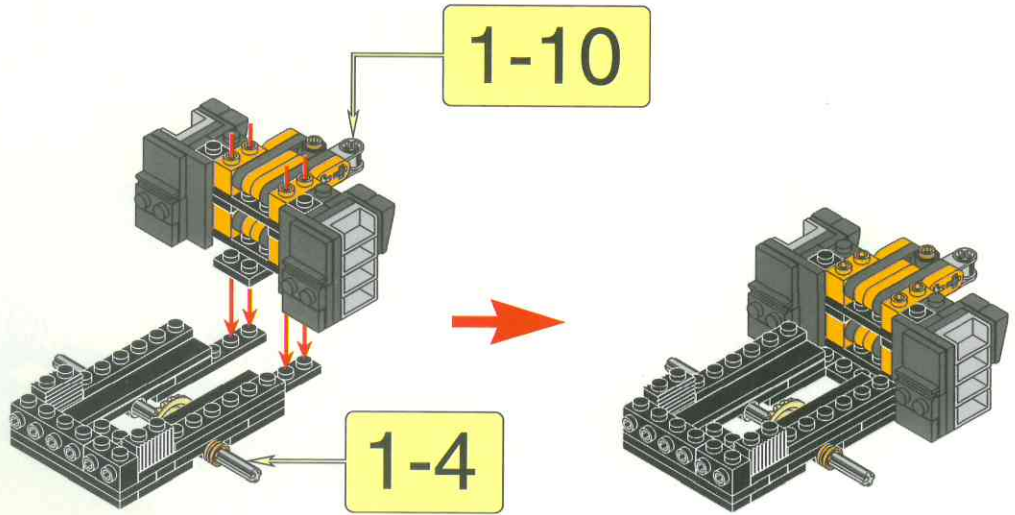


1x2	2x2			
2x	2x	2x	2x	2x

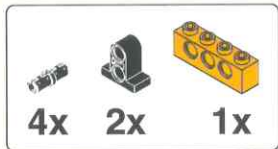
1-10



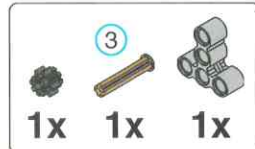
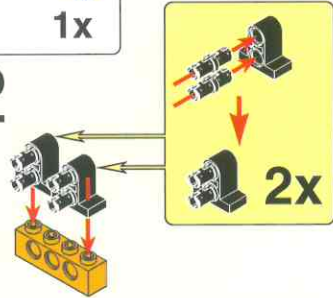
1-11



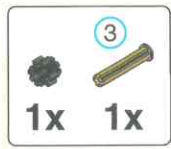
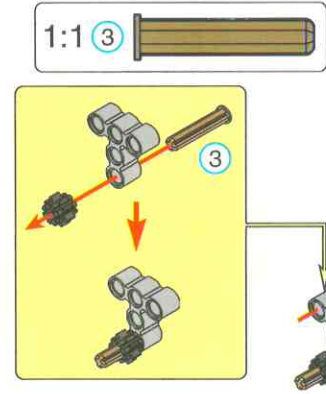
9



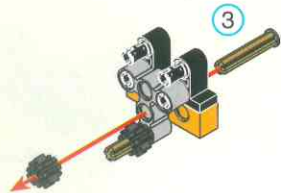
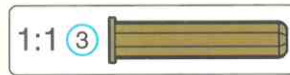
1-12



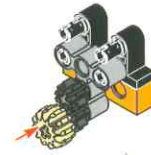
1-13

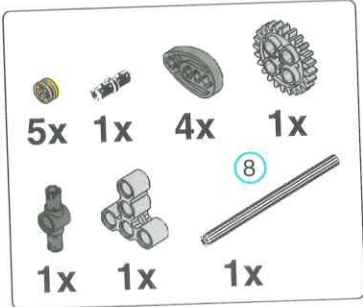


1-14

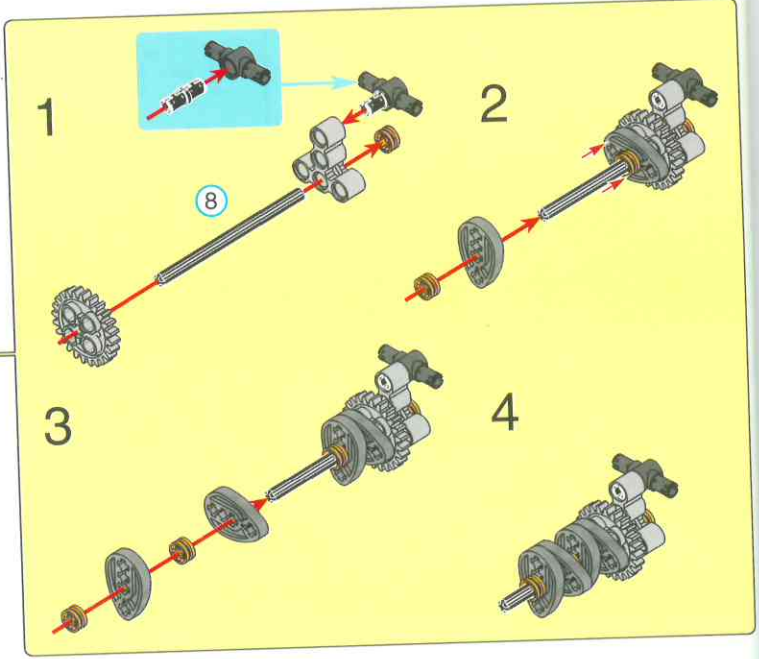
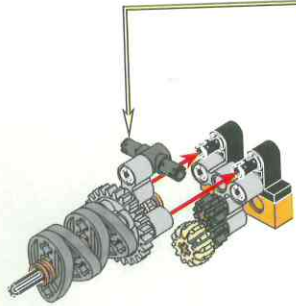












1-15



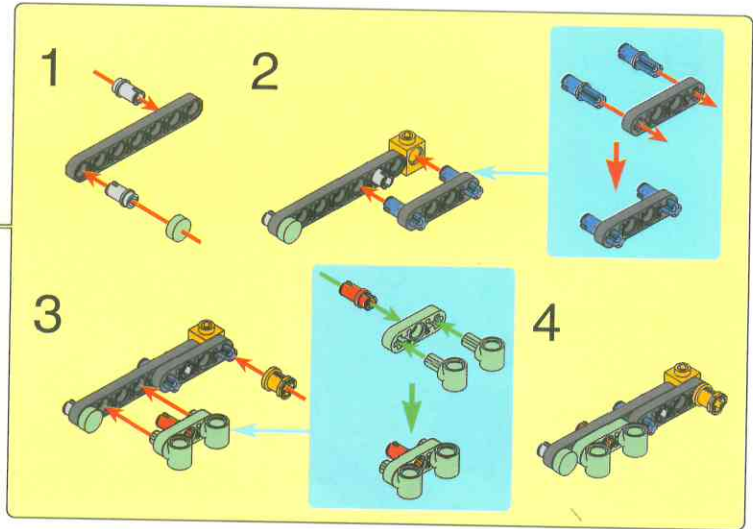
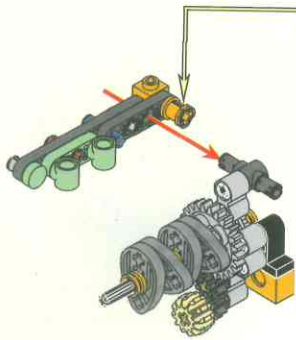


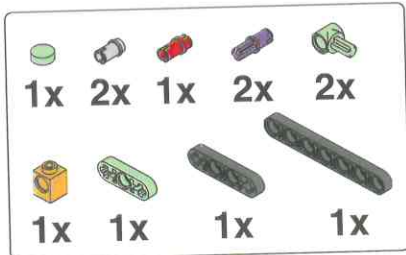
1-16



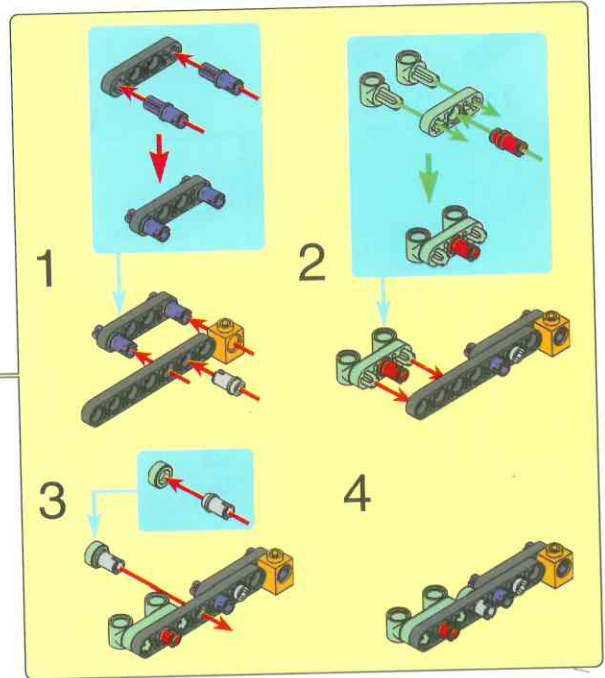
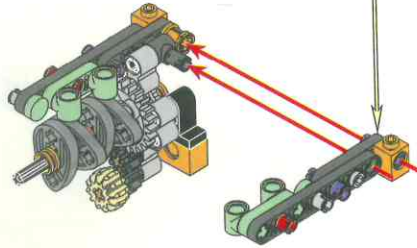
					
1x	2x	1x	1x	2x	2x
					
1x	1x	1x	1x		

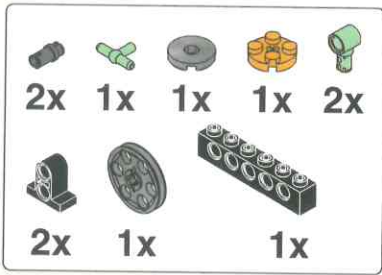
1-17



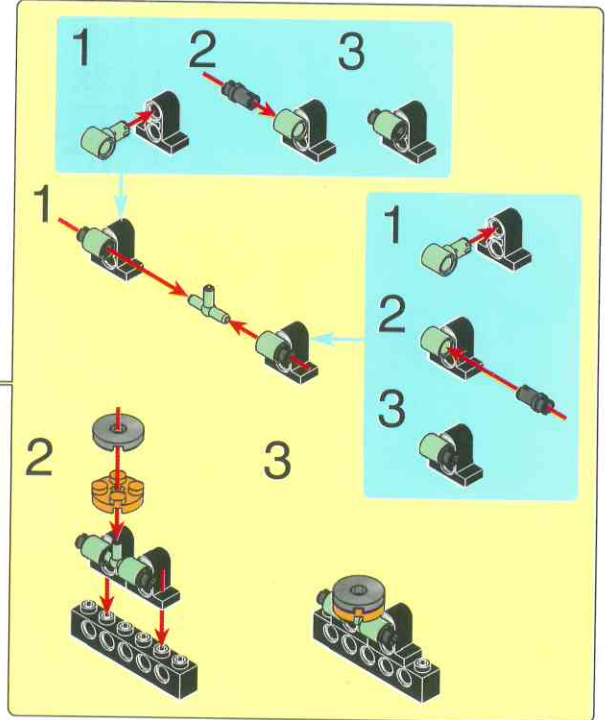
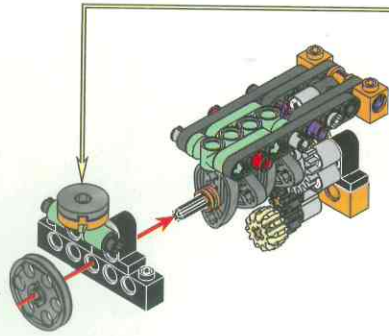


1-18



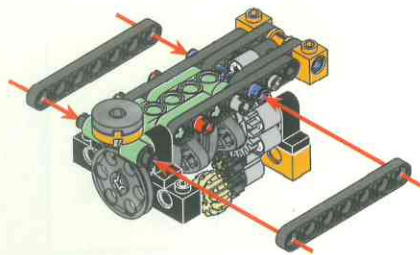


1-19

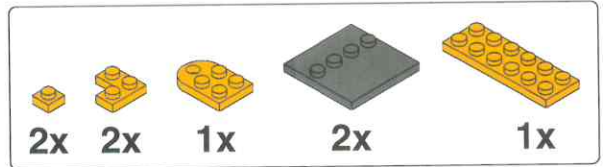




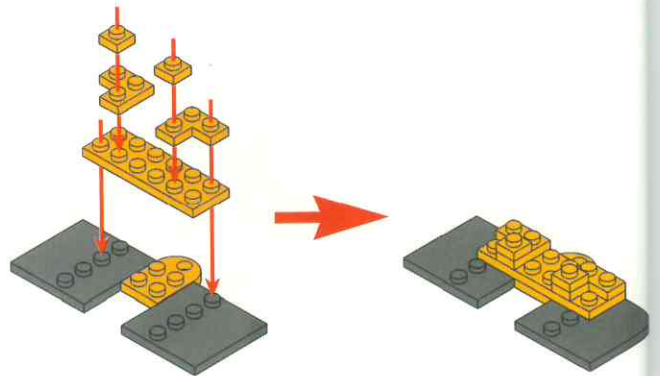
1-20

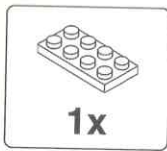


15



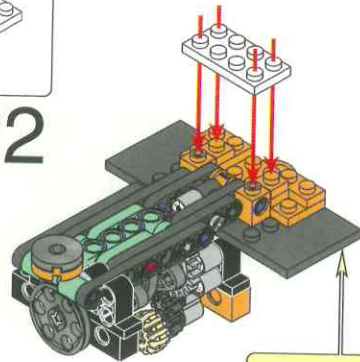
1-21



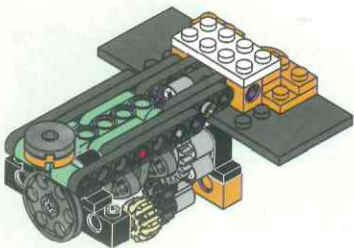


1x

1-22

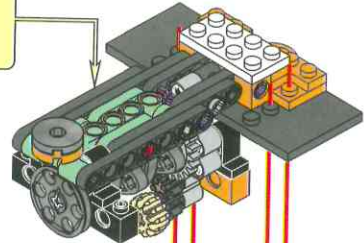


1-21

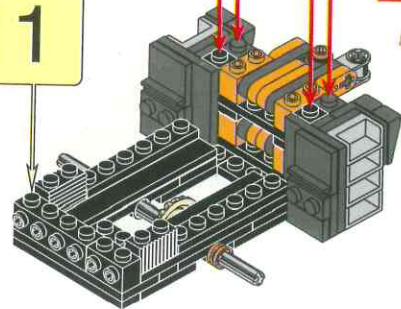


1-23

1-22



1-11





1x

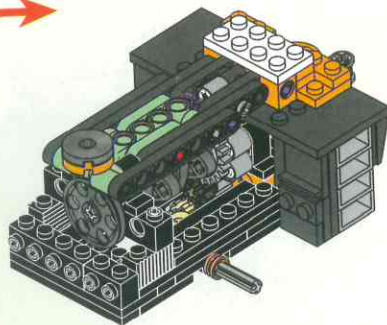


1x

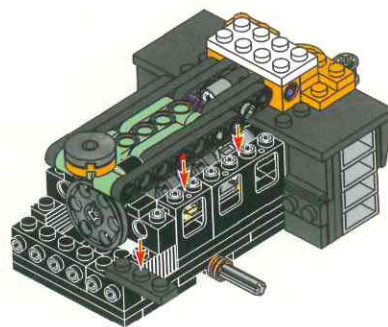


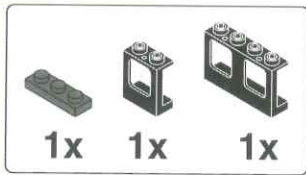
1x

1-24

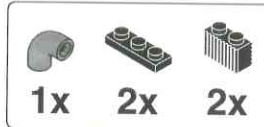
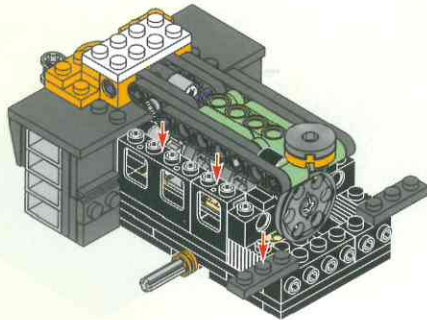


17

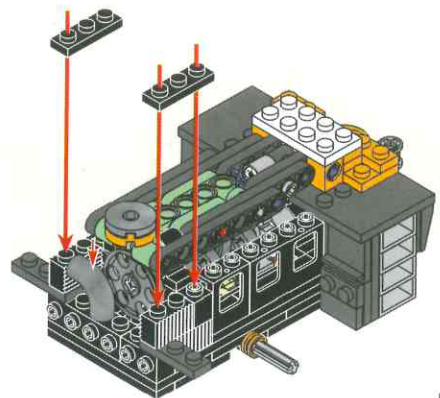


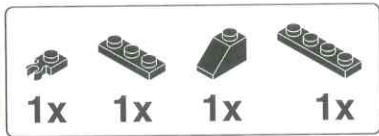


1-25

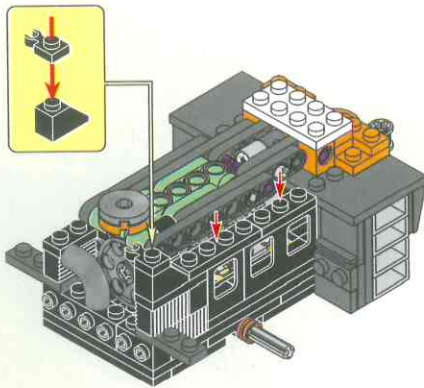


1-26

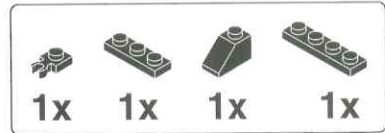




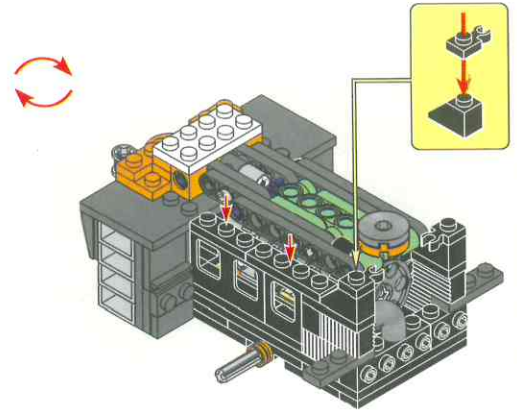
1-27

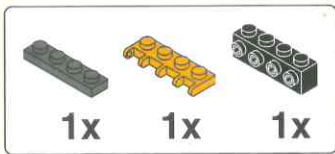


19

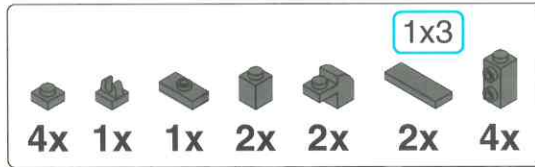


1-28

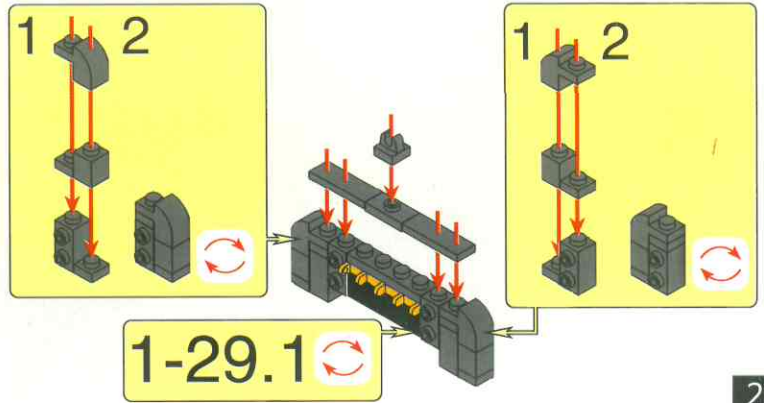




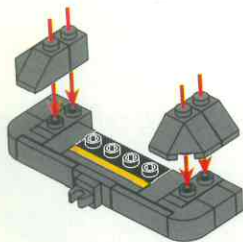
1-29.1



1-29.2

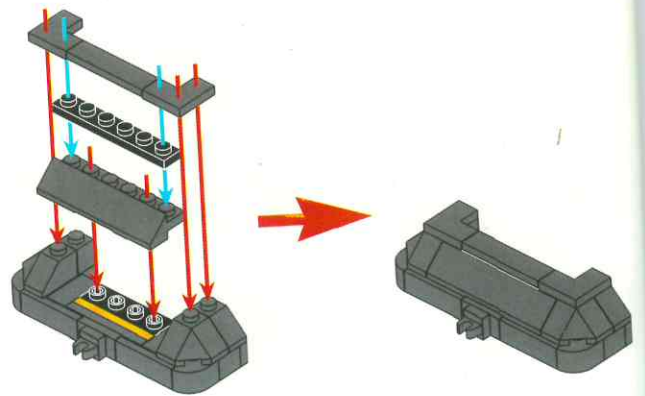


2x 2x
1-29.3

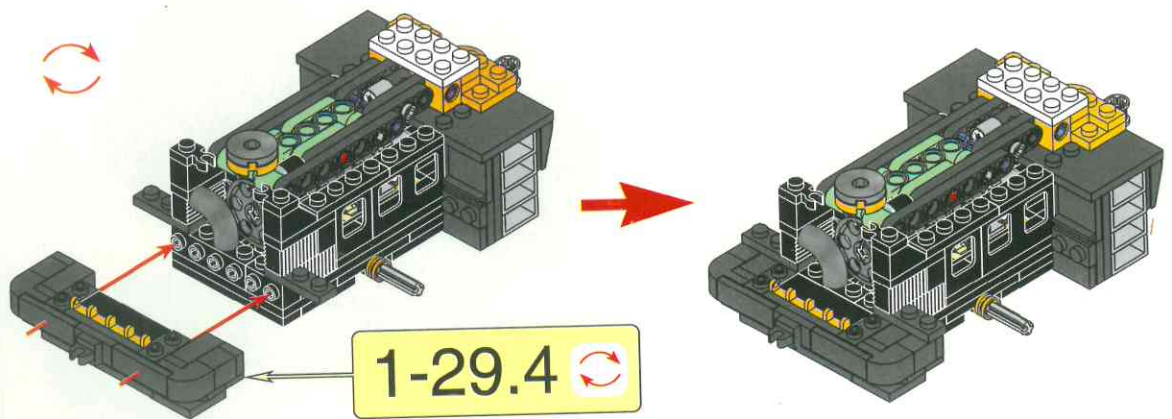


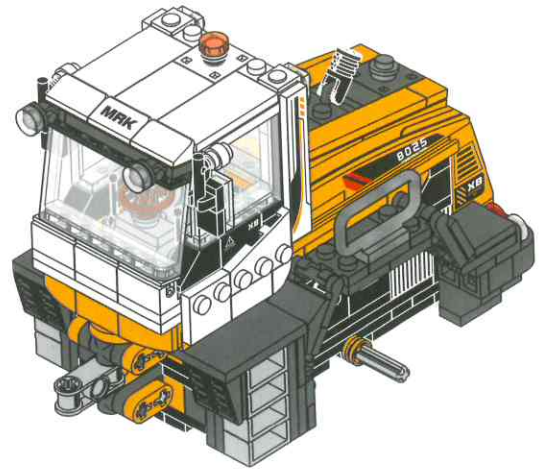
21

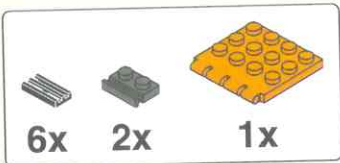
1x4
2x 1x 1x 1x
1-29.4



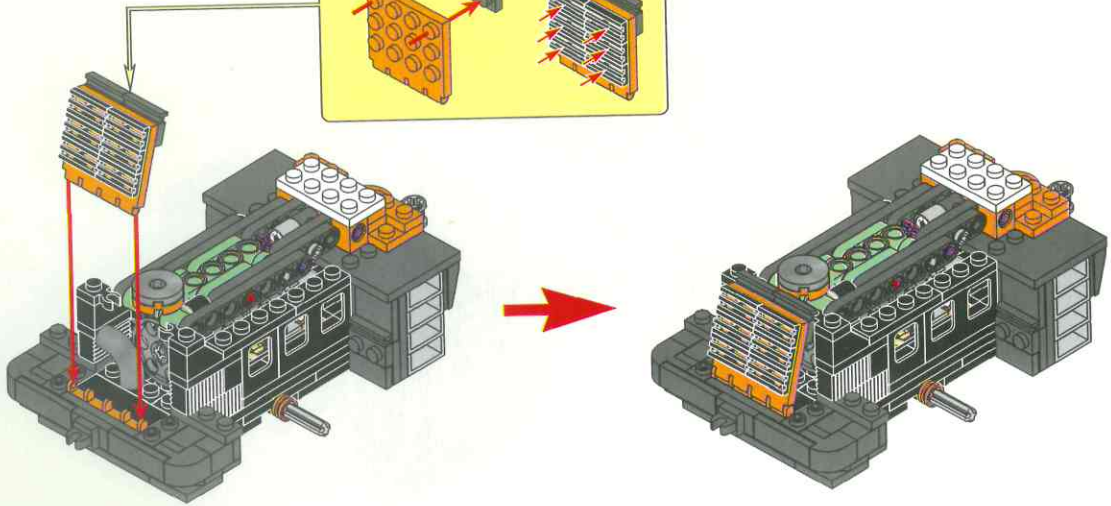
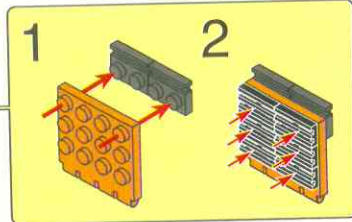
1-30

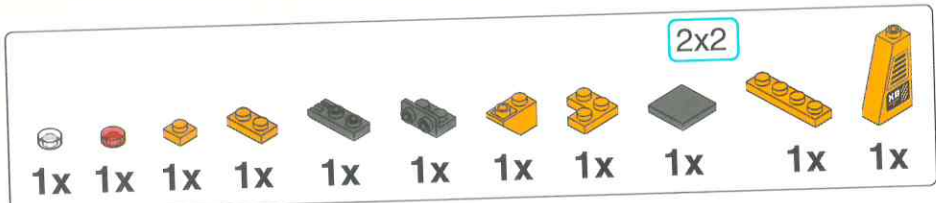




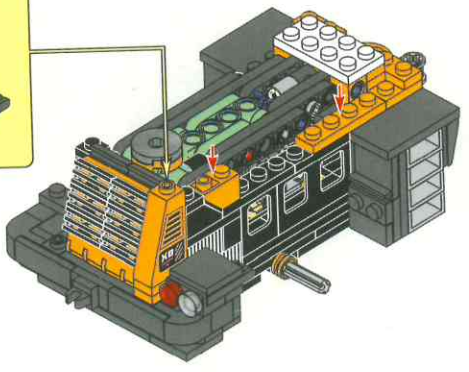
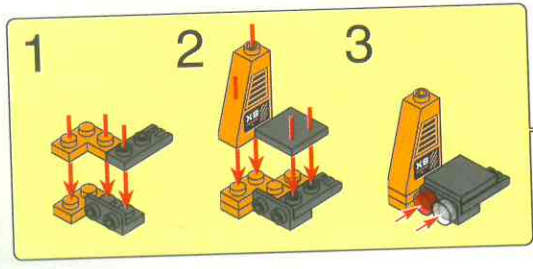


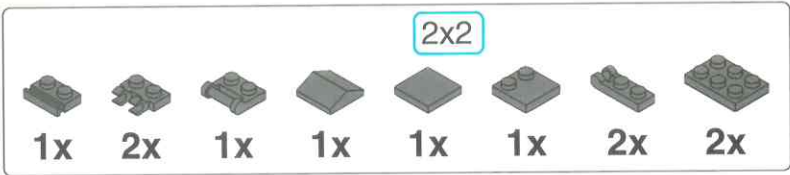
2-1



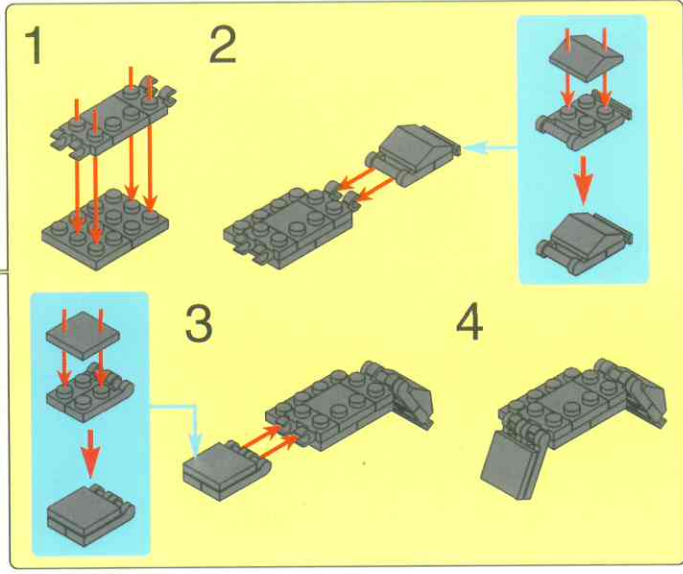
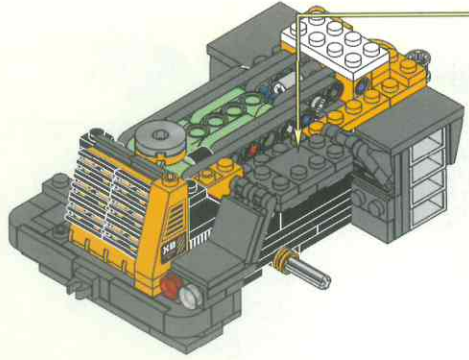


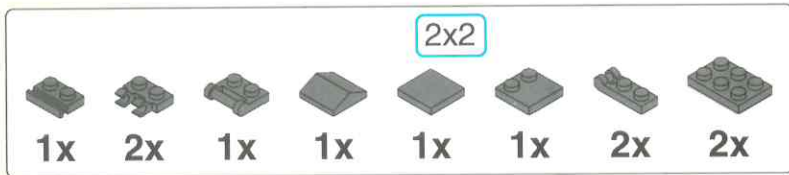
2-2



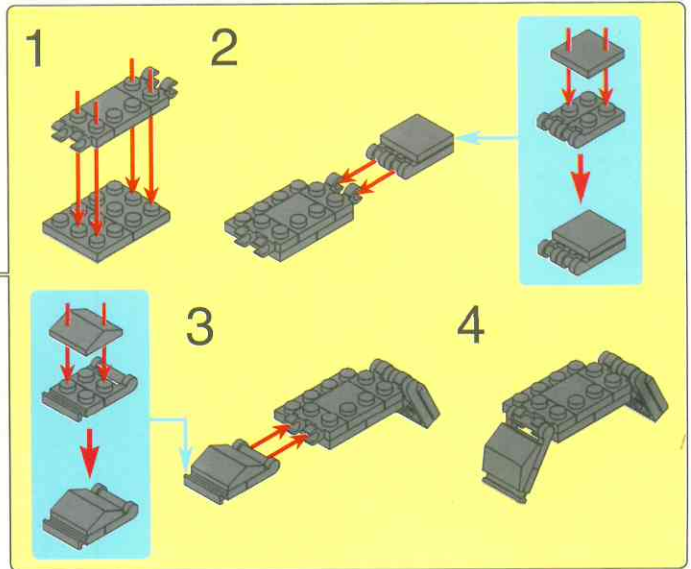
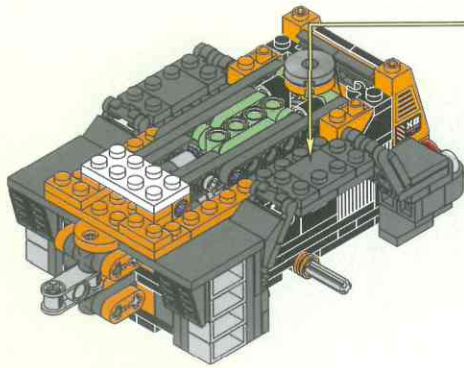


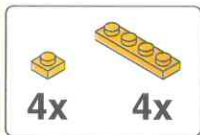
2-3



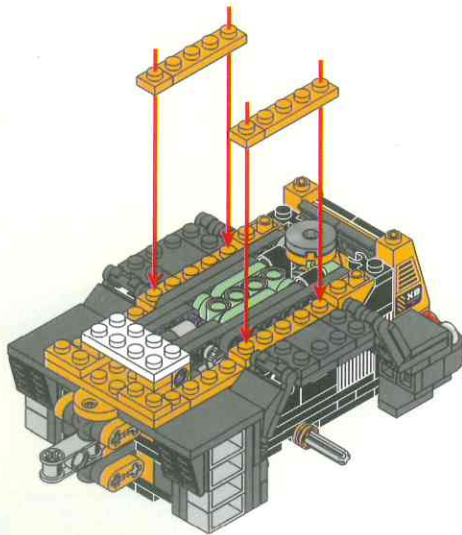


2-5

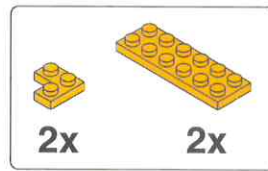




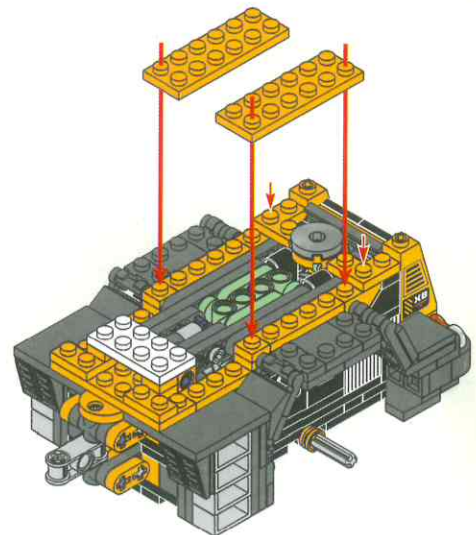
2-6



29

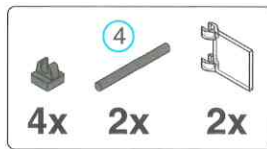
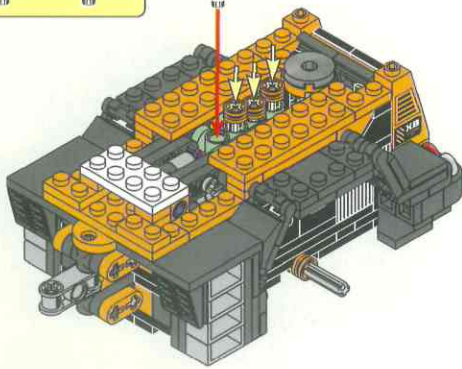
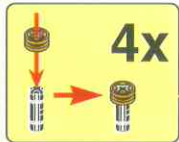


2-7

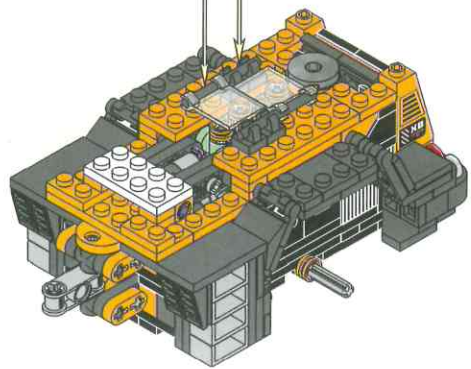
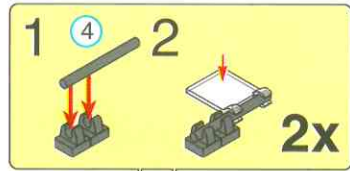


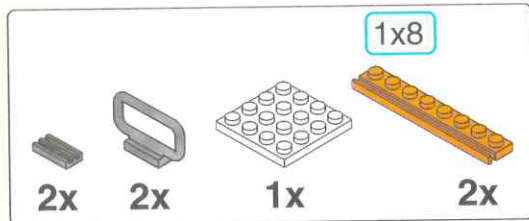


2-8

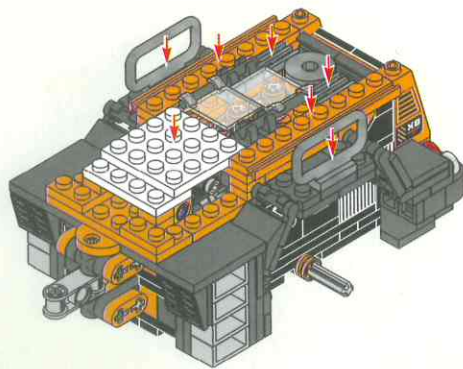


2-9

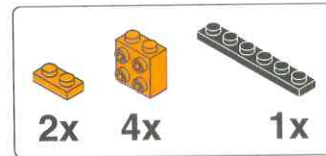




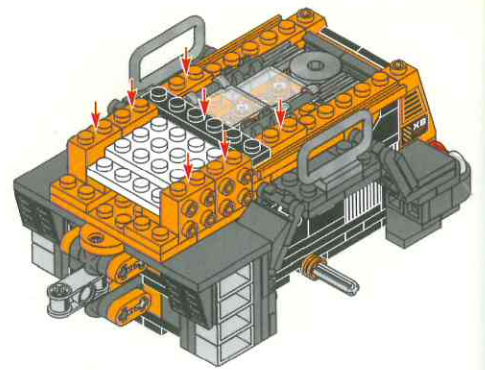
2-10

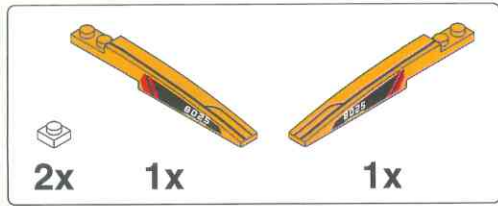


31

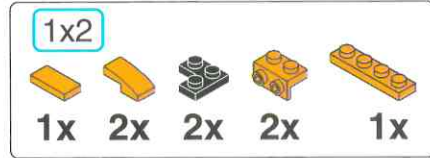
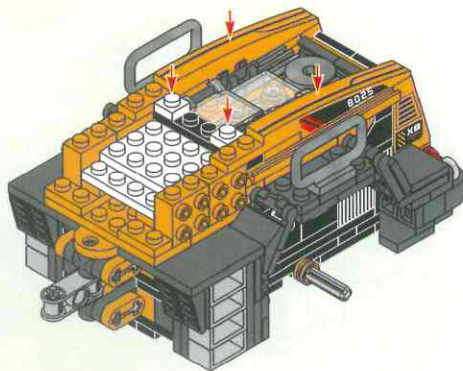


2-11

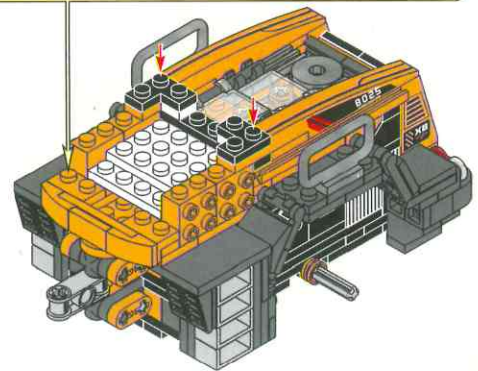
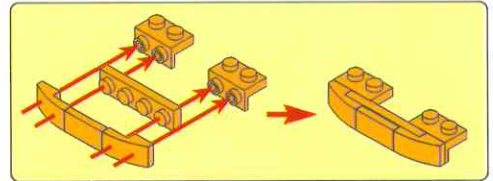


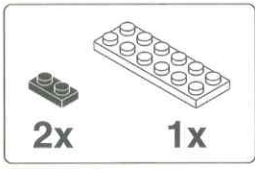


2-12

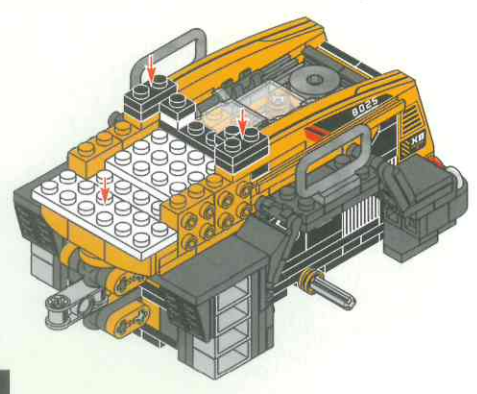


2-13

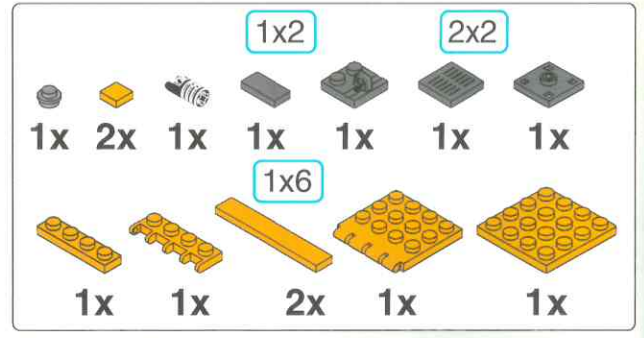




2-14

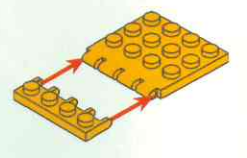


33

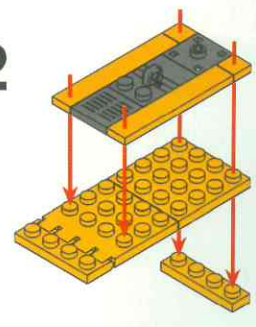


2-15

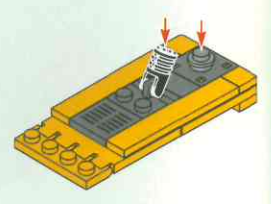
1





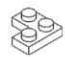

2



3

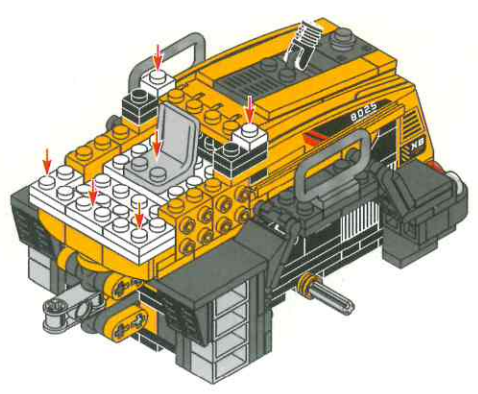
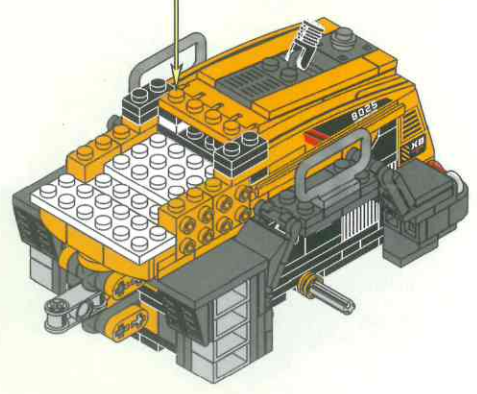


2-16

			
2x	1x	2x	1x

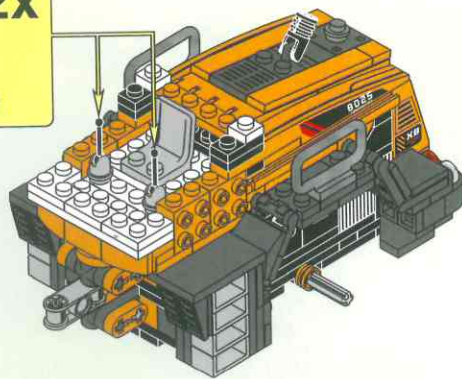
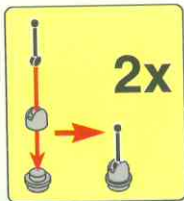
2-17

2-15

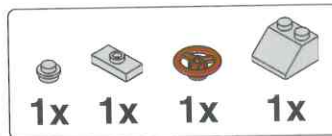




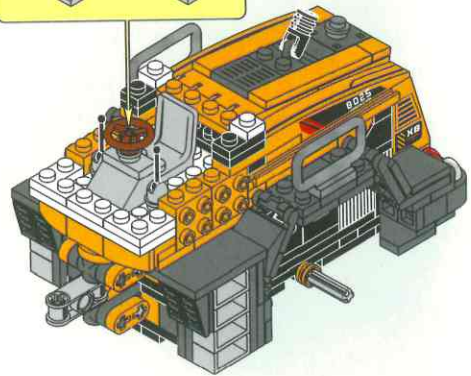
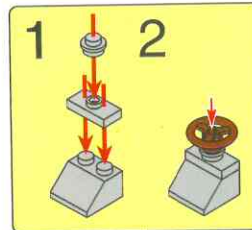
2-18

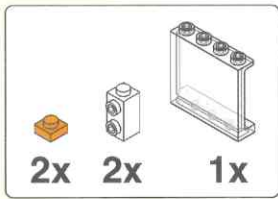


35

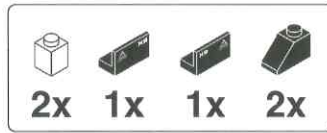
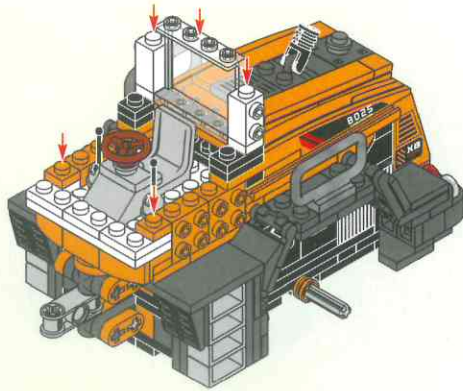


2-19

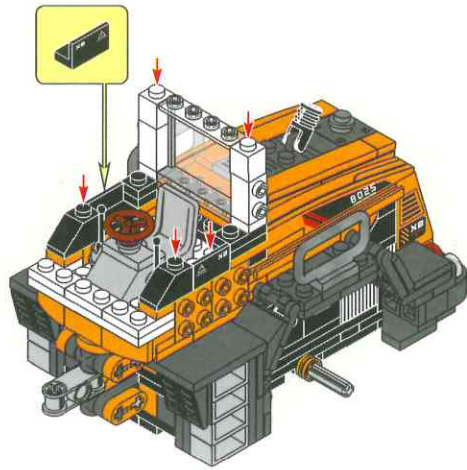


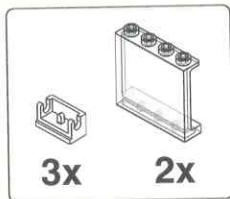


2-20

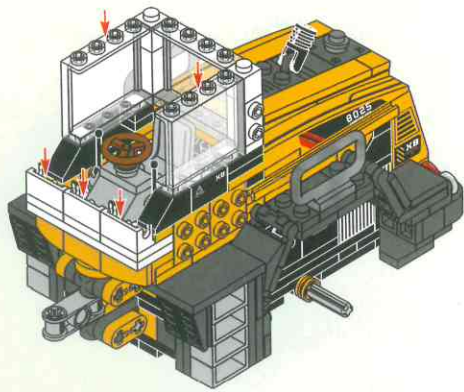


2-21

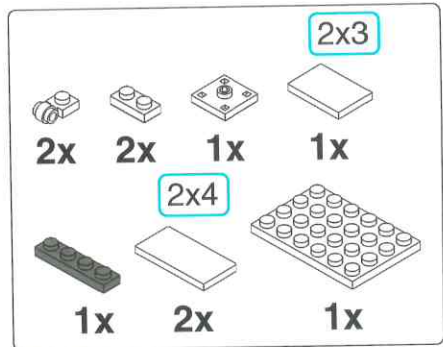




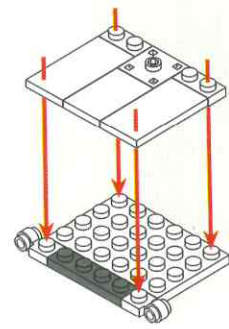
2-22



37

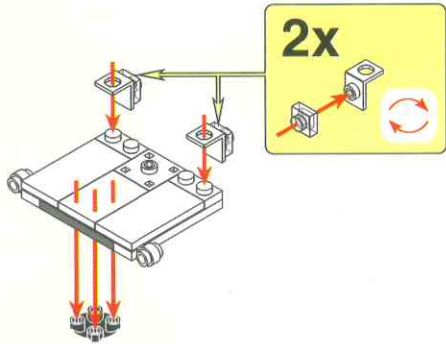


2-23.1

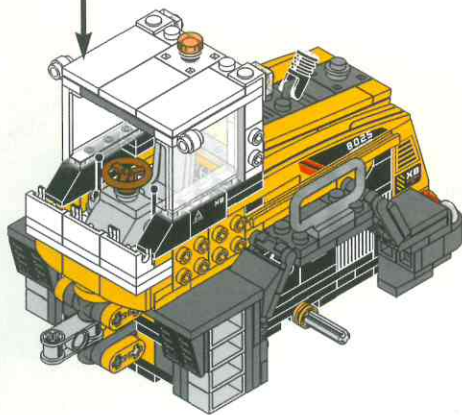
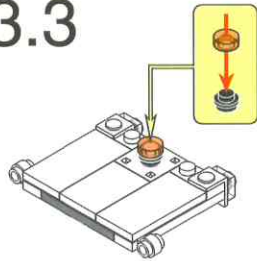


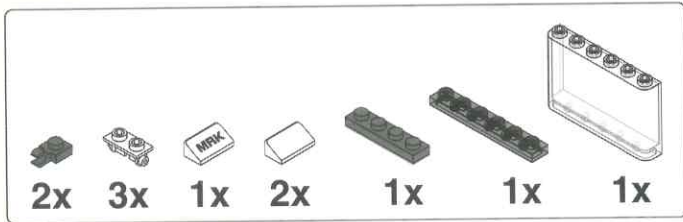


2-23.2

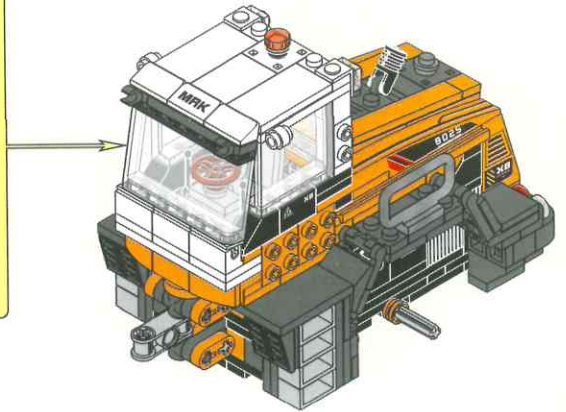
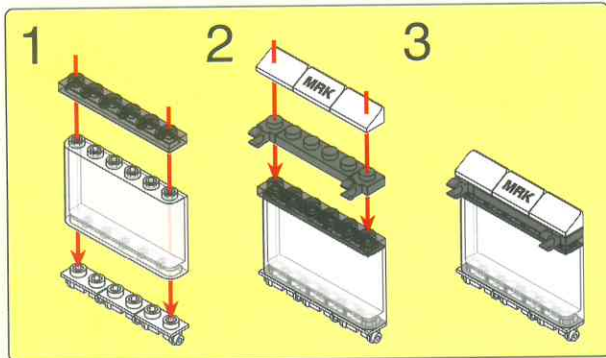


2-23.3





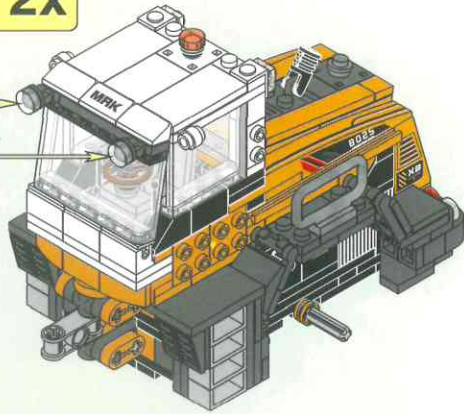
2-24



2x 2x

2-25

2x

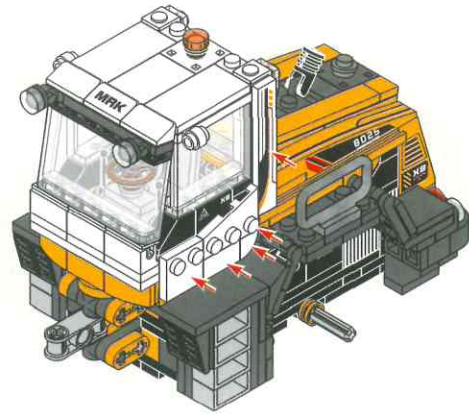


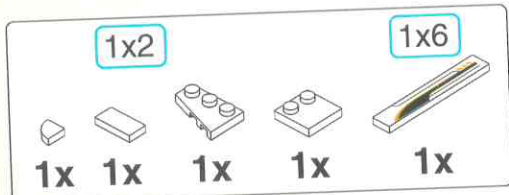
1x2

1x6

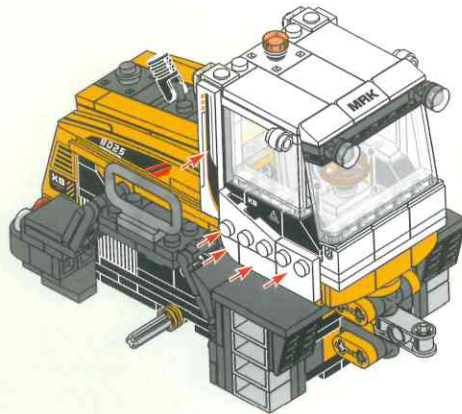
1x 1x 1x 1x 1x

2-26

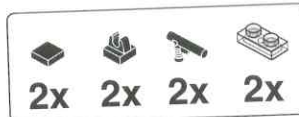




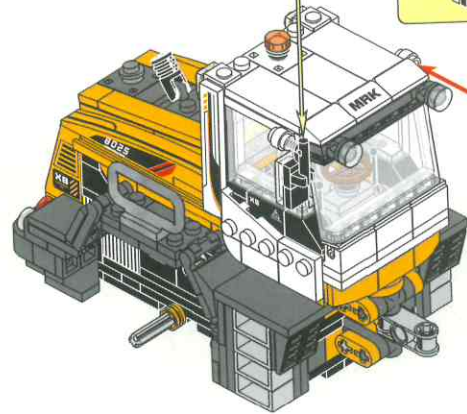
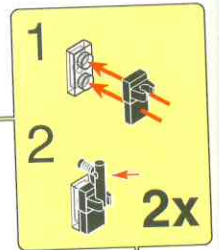
2-27



41

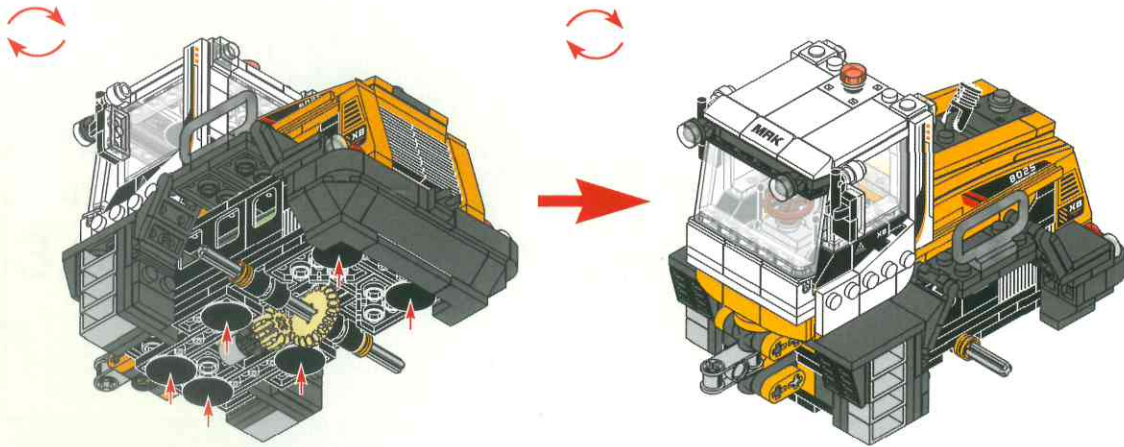


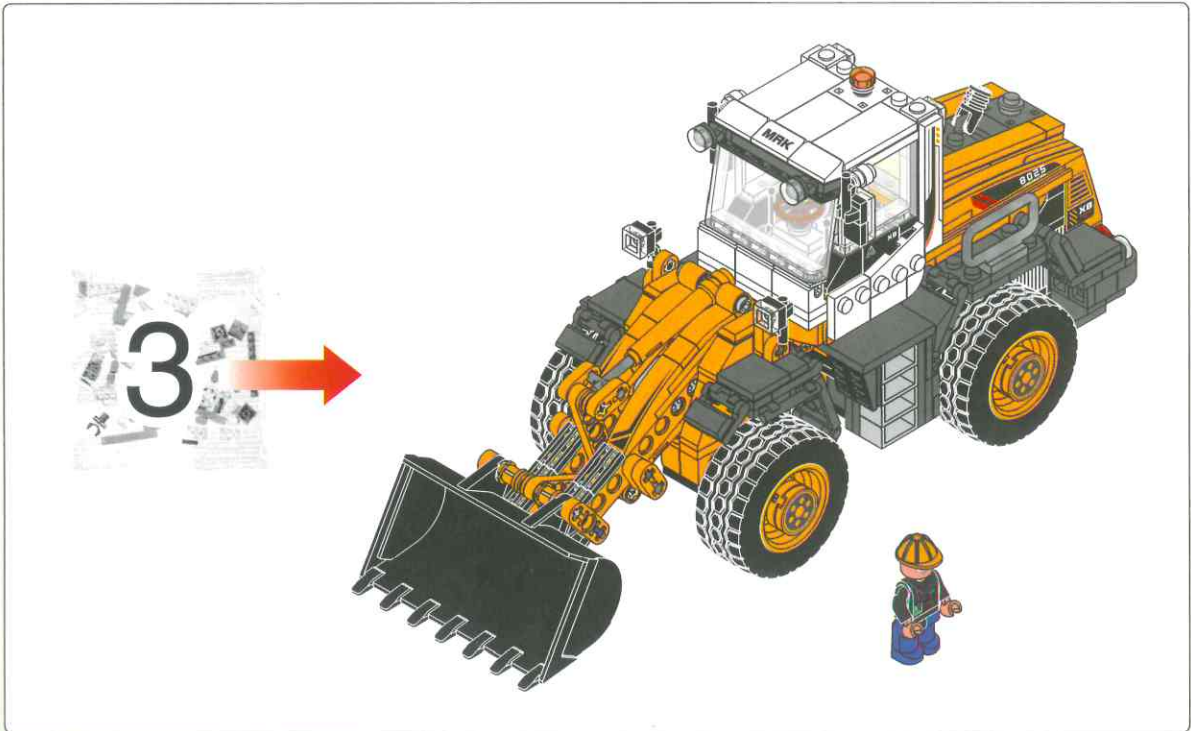
2-28

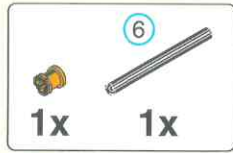




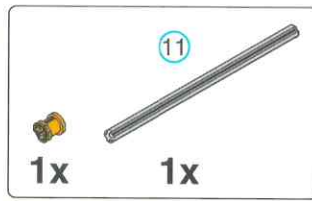
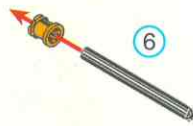
2-29



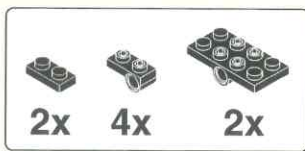




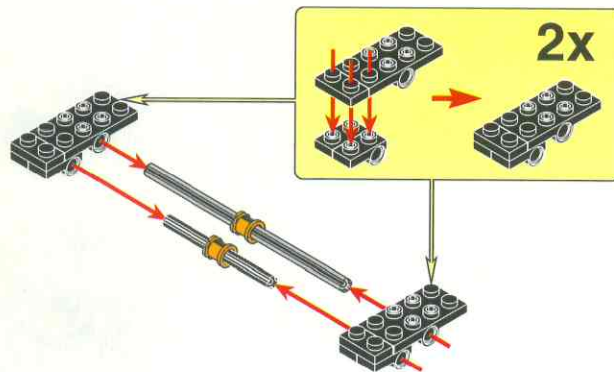
3-3.1

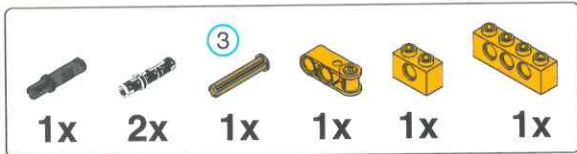


3-3.2

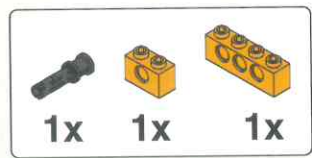
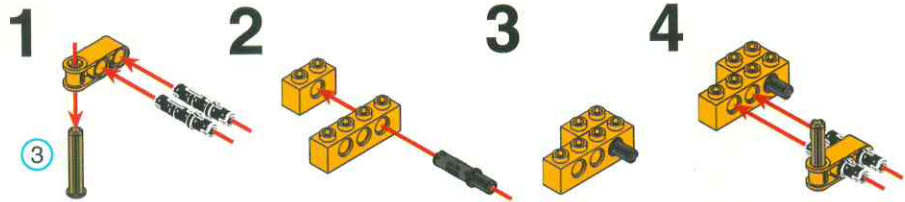


3-3.3

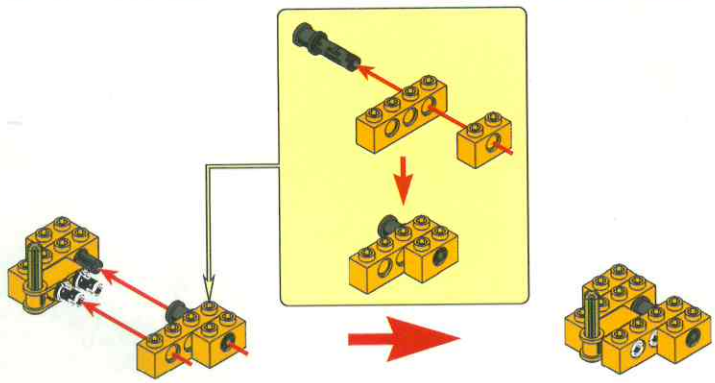




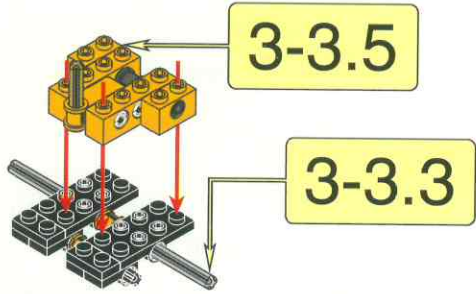
3-3.4



3-3.5

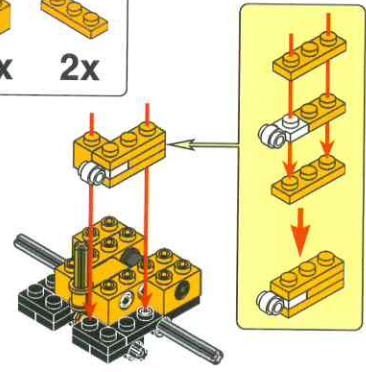


3-3.6



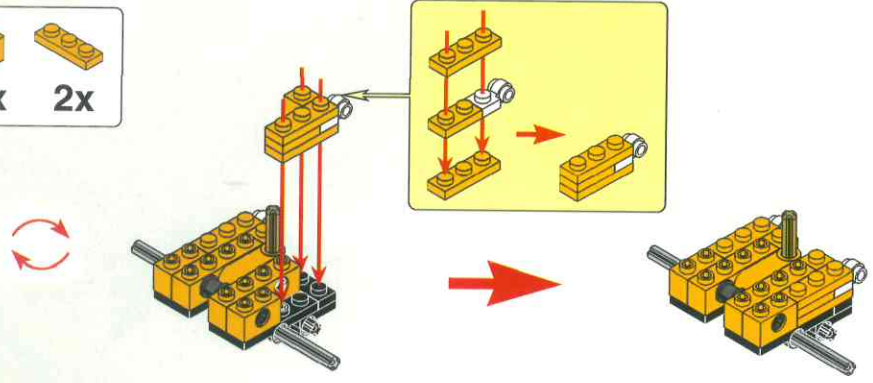
- 1x [white pin]
- 1x [yellow 1x3 Technic brick]
- 1x [yellow 1x2 Technic brick]
- 2x [yellow 1x4 Technic brick]

3-3.7

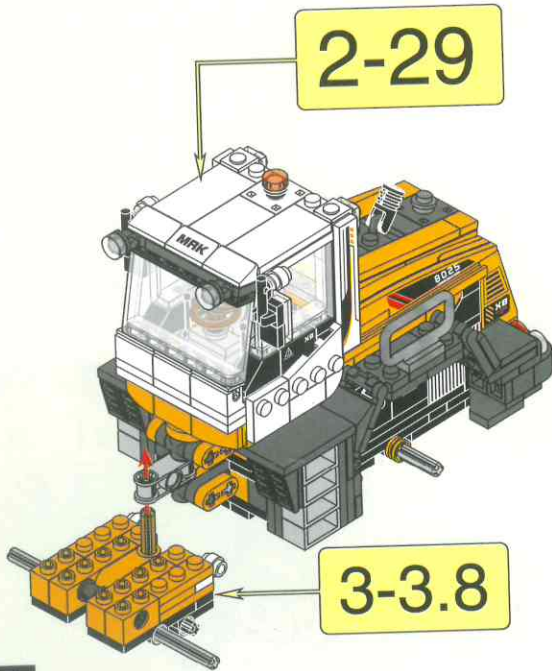


- 1x [white pin]
- 1x [yellow 1x3 Technic brick]
- 1x [yellow 1x2 Technic brick]
- 2x [yellow 1x4 Technic brick]

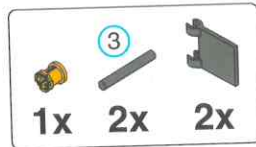
3-3.8



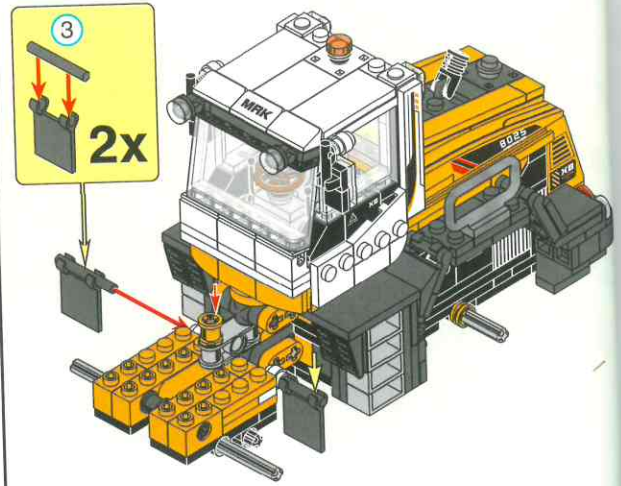
3-4

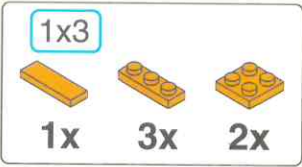


47

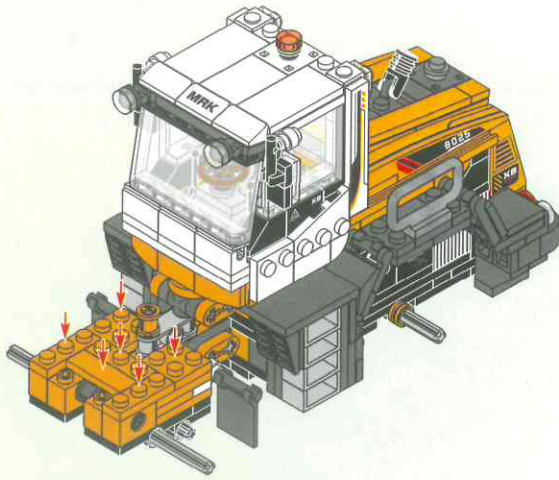


3-5 1:1 3

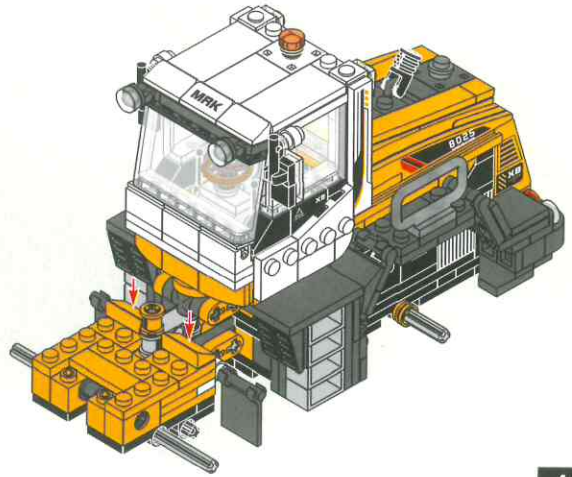


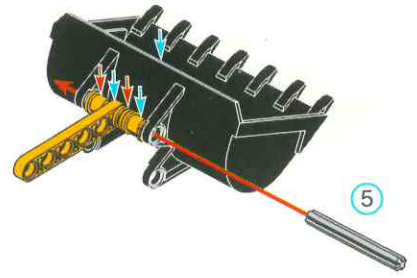
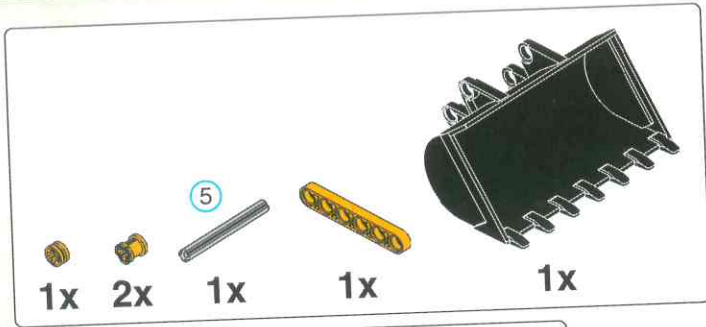


3-6

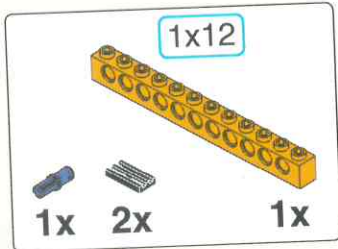
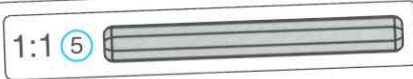


3-7

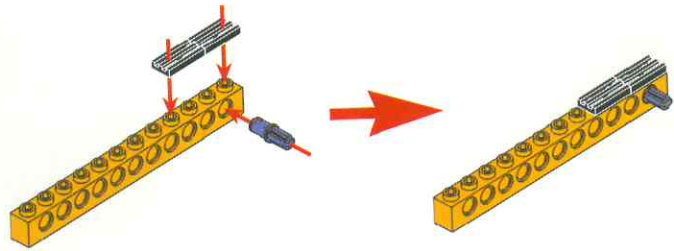


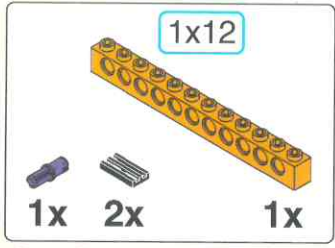


3-8

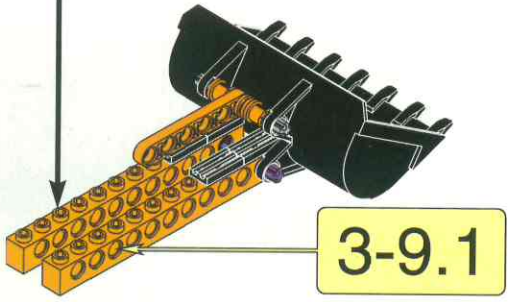
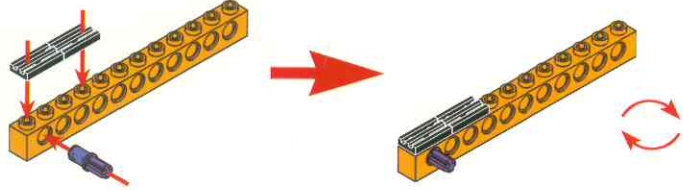


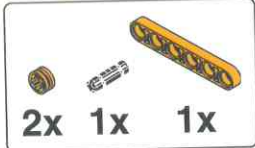
3-9.1



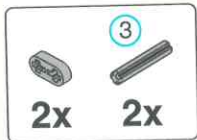
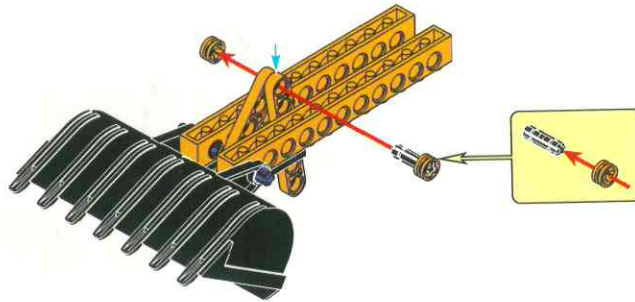


3-9.2

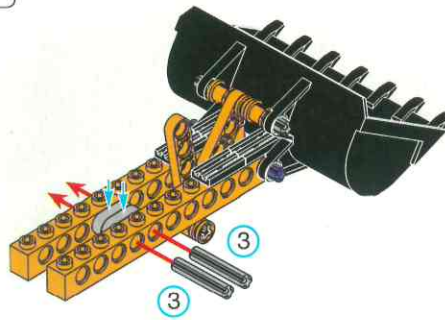
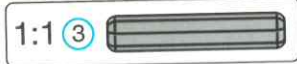


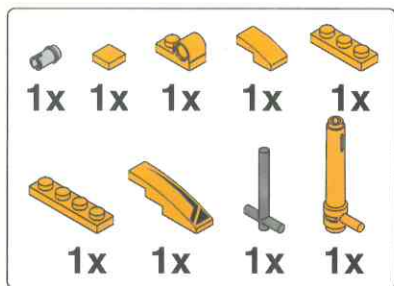


3-10

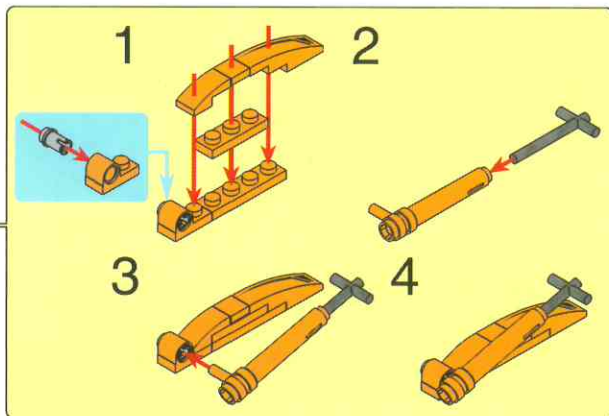
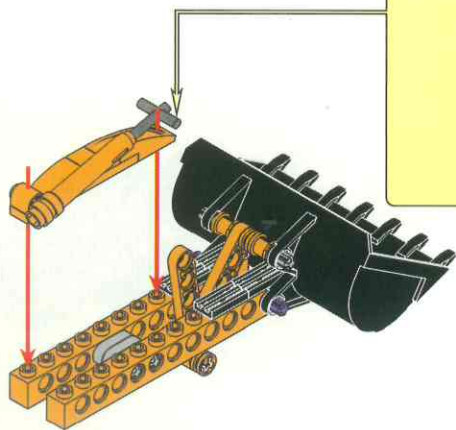


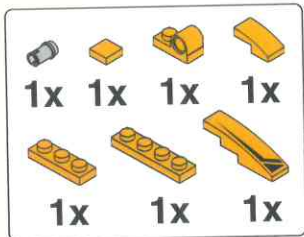
3-11



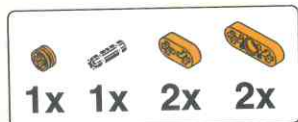
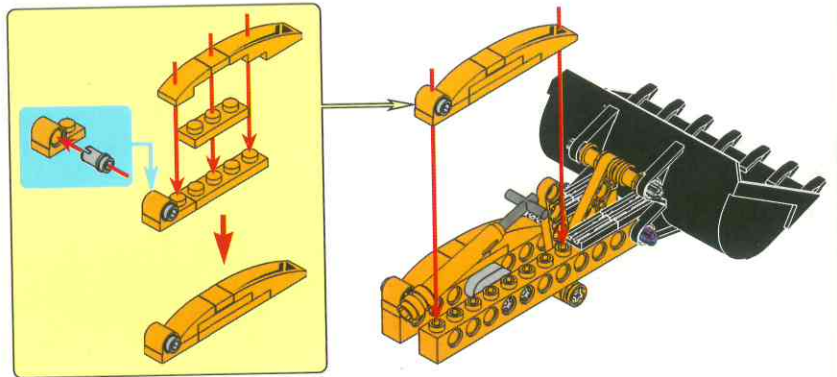


3-12

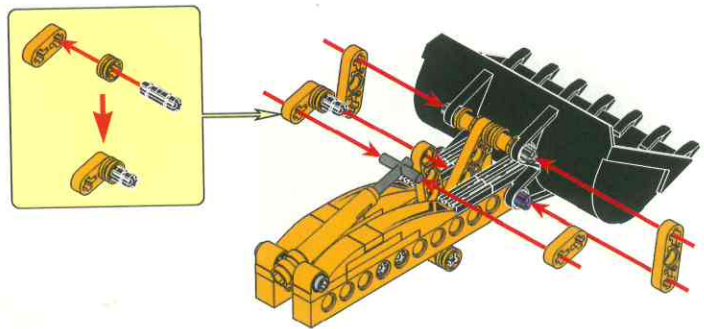


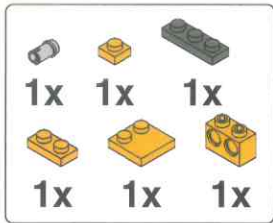


3-13

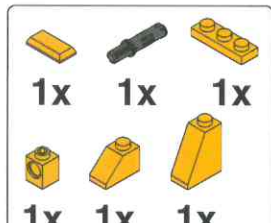
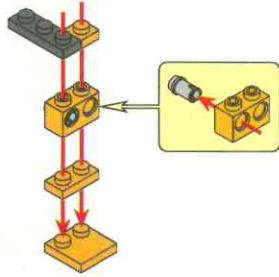


3-14

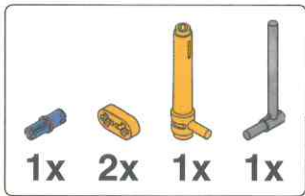
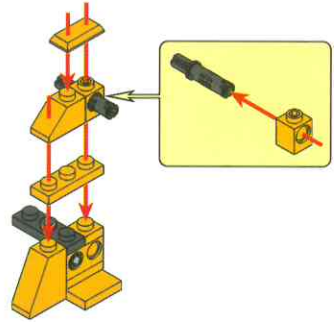




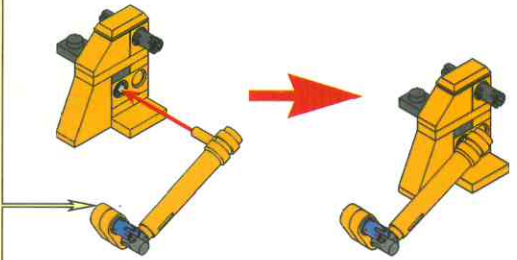
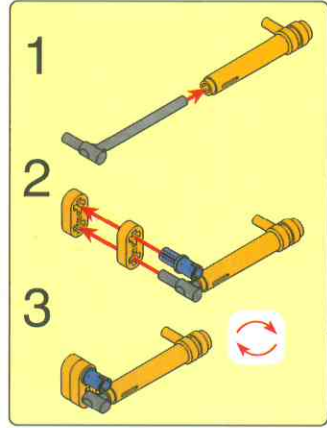
3-15.1



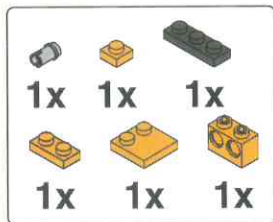
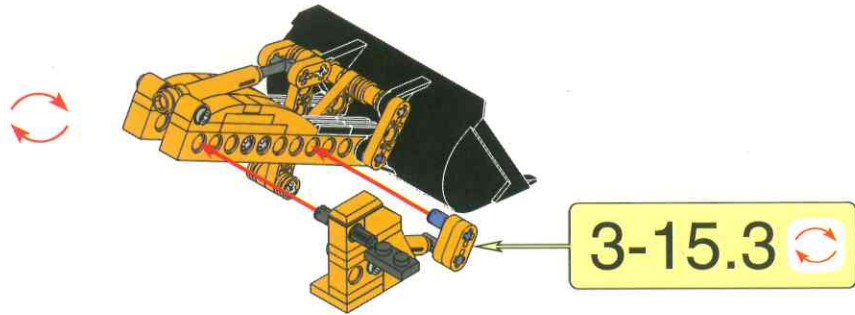
3-15.2



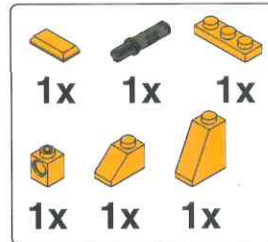
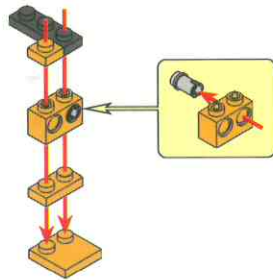
3-15.3



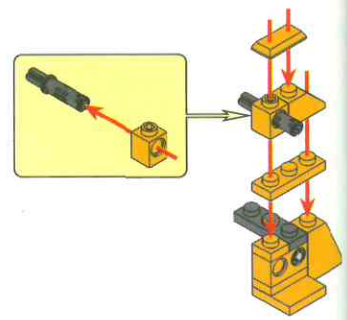
3-16

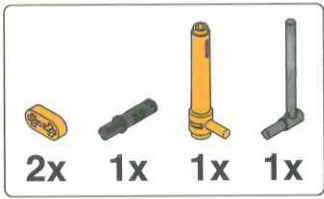


3-17.1

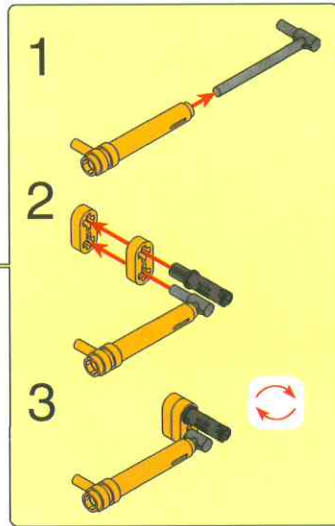
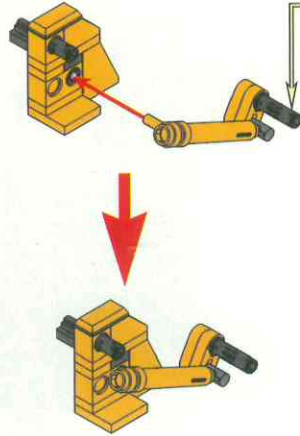


3-17.2

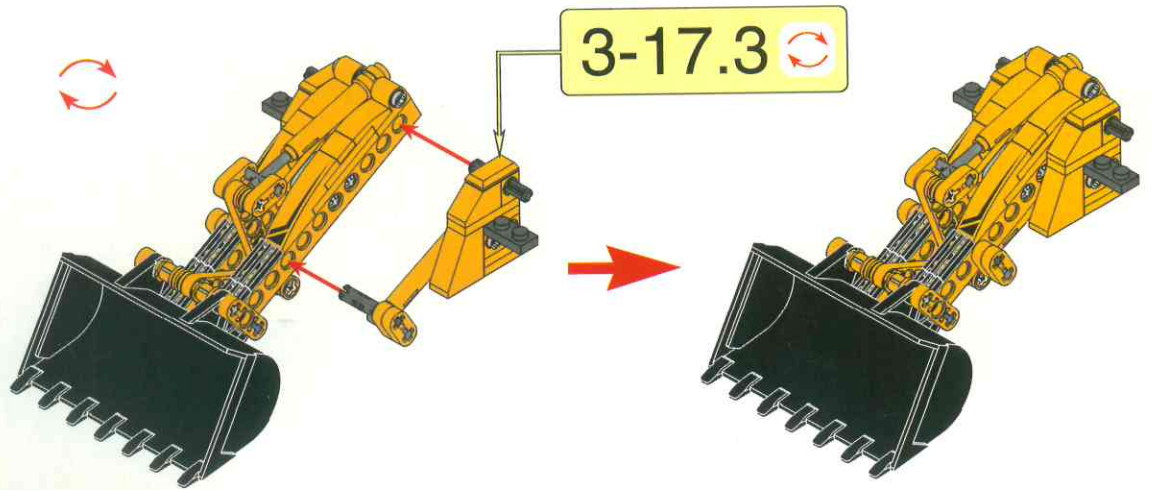




3-17.3

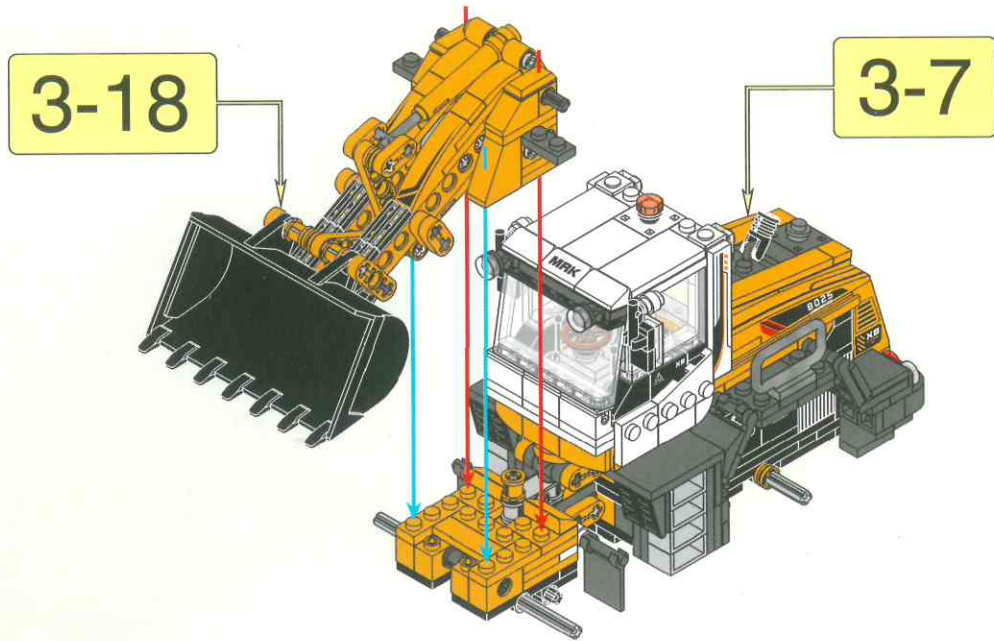


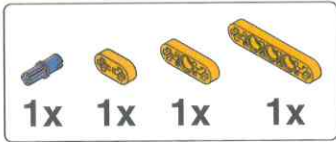
3-18



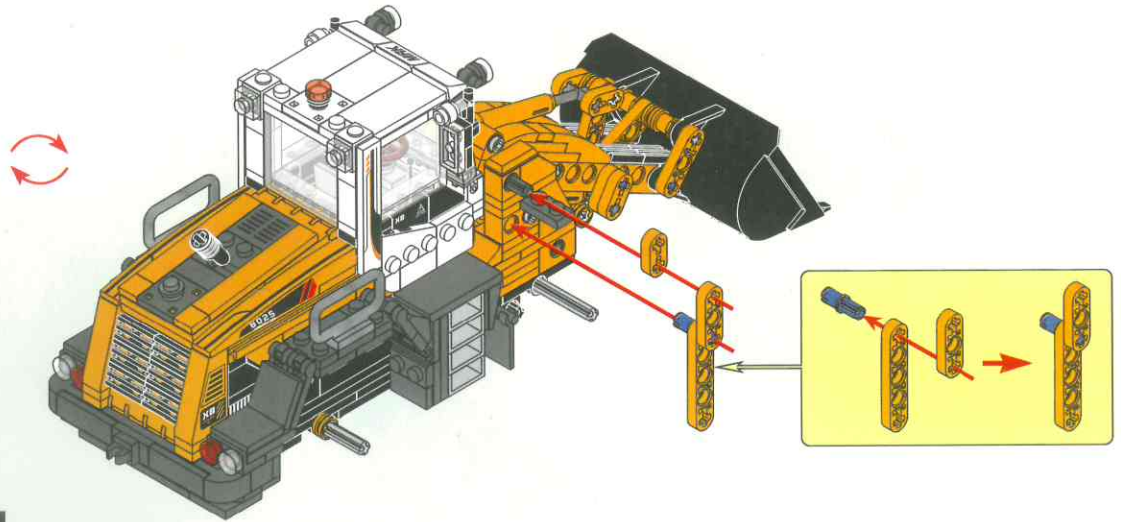
57

3-19

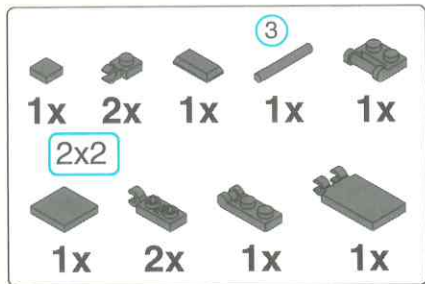




3-20

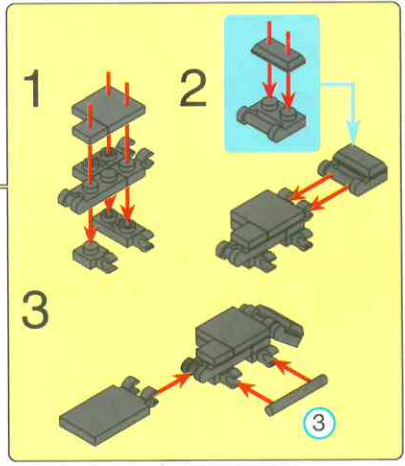
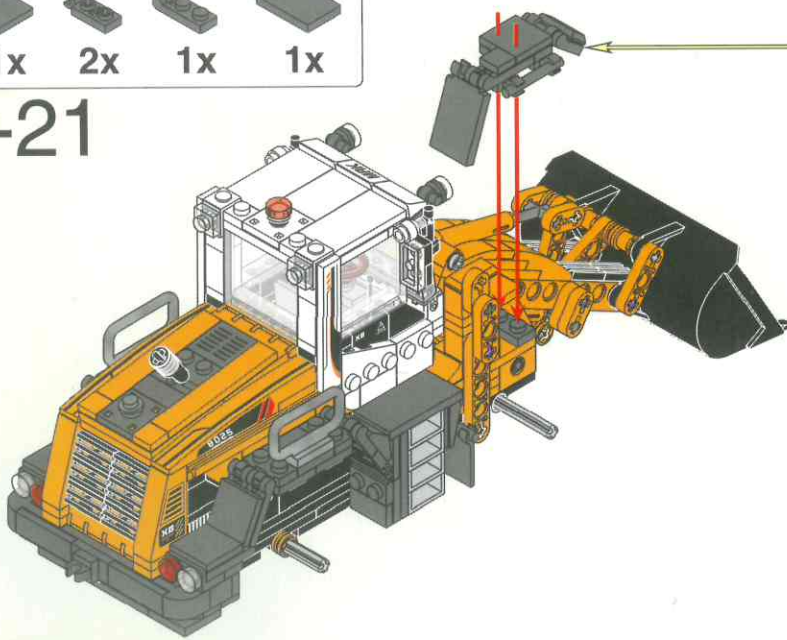


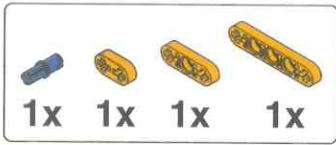
59



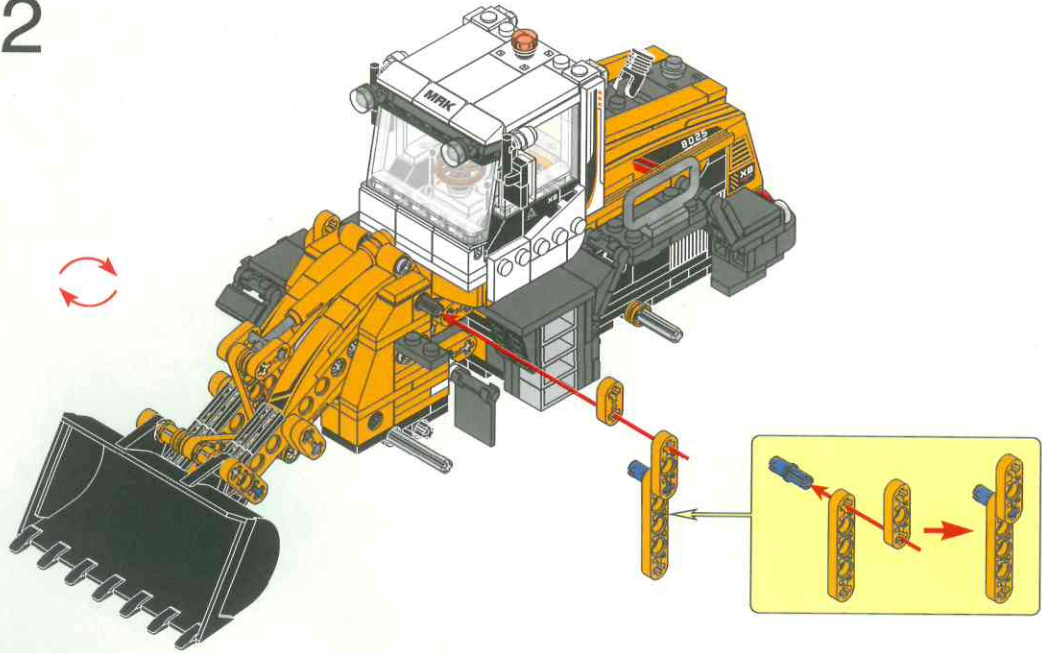
1:1 ③

3-21





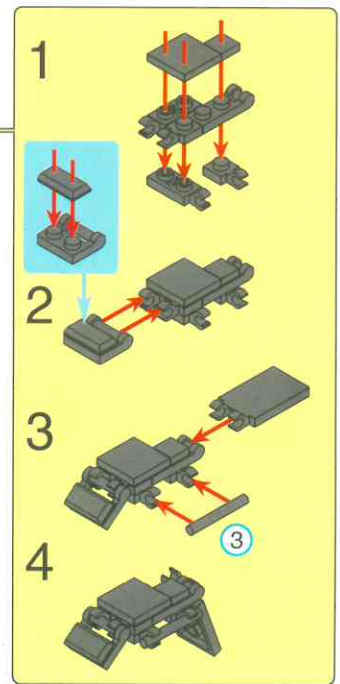
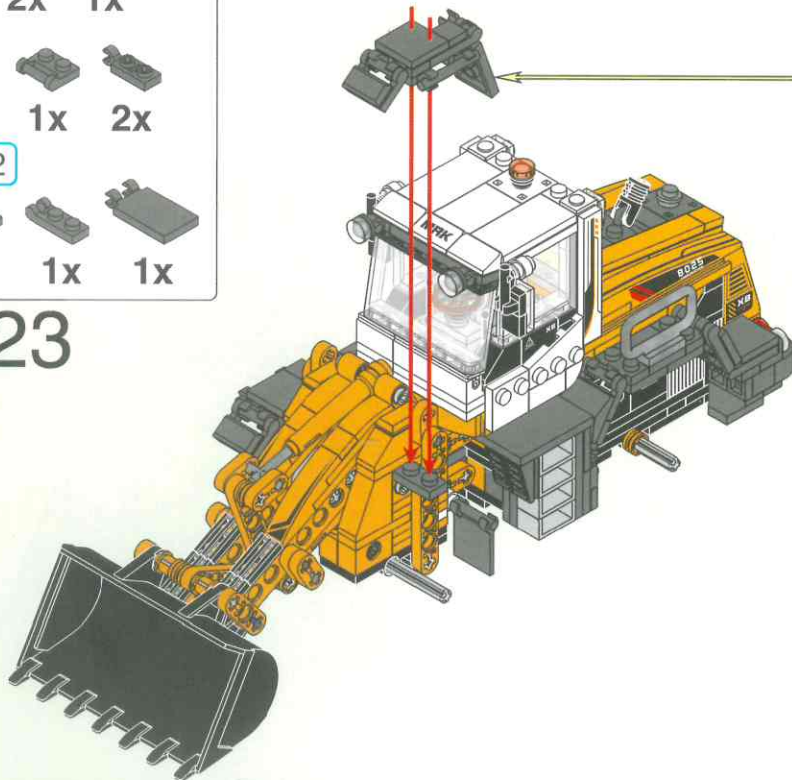
3-22






- 1x
- 2x
- 1x
- ③
- 1x
- 1x
- 2x
- 2x2
- 1x
- 1x
- 1x





3-23

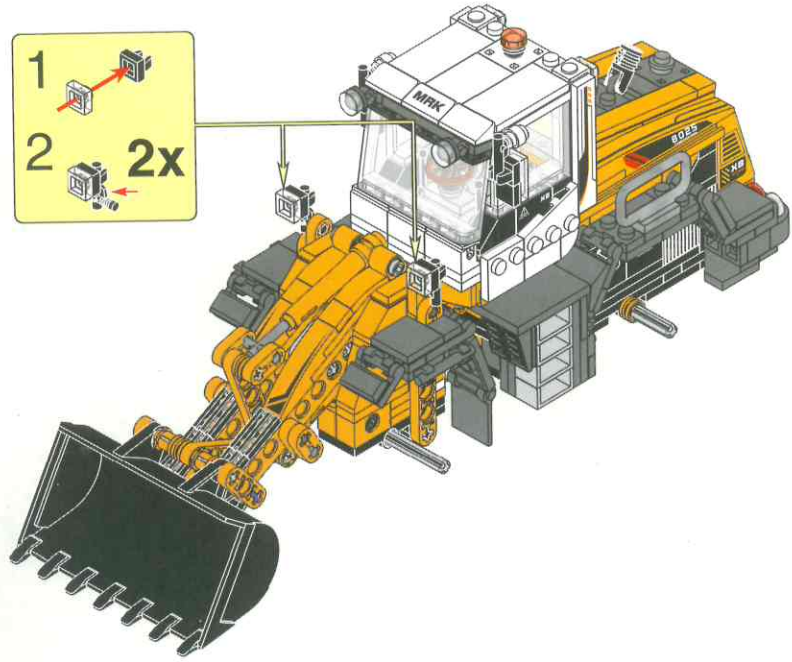
1:1 ③

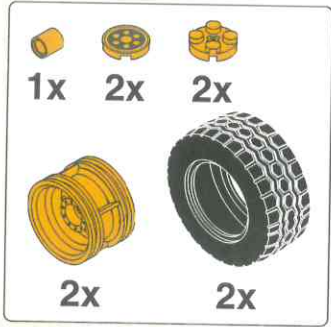


-  2x
-  2x
-  2x

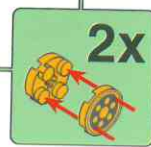
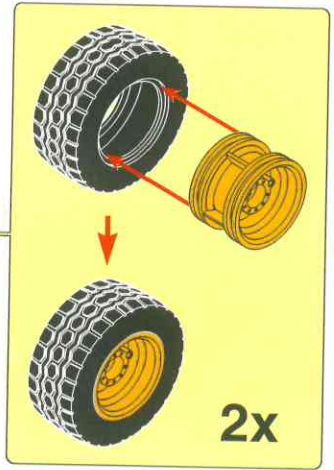
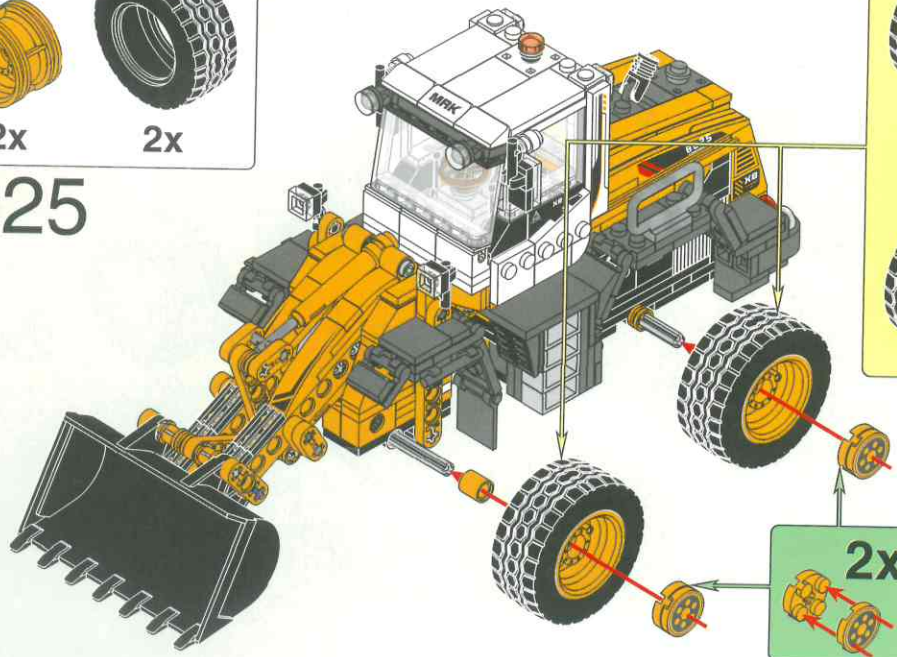
3-24

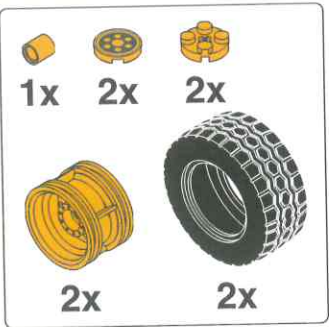
- 1  
- 2  2x 



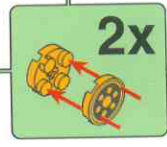
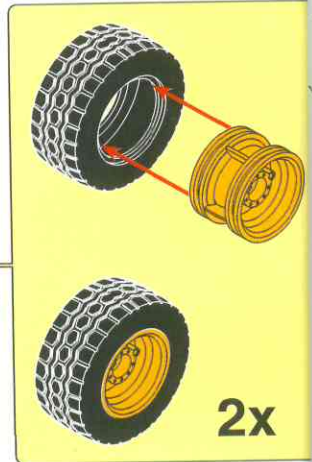
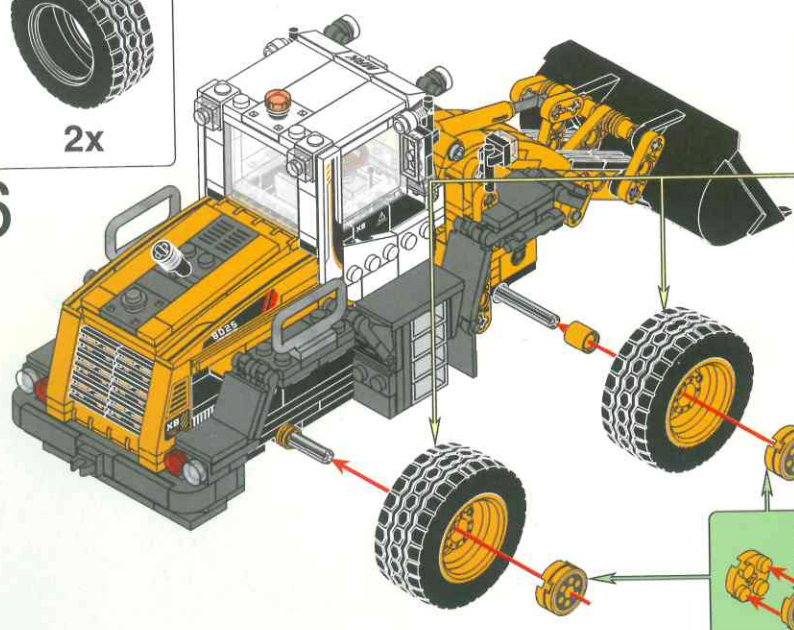


3-25

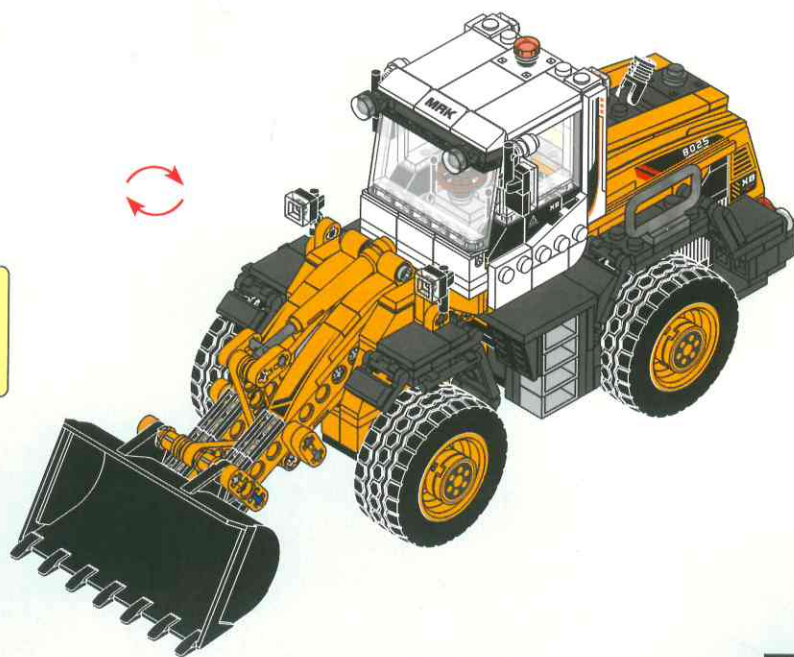
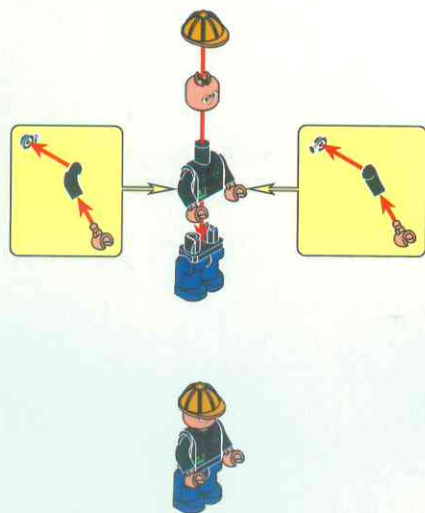




3-26



3-27





03034



03036



03037



03038