

oursson 

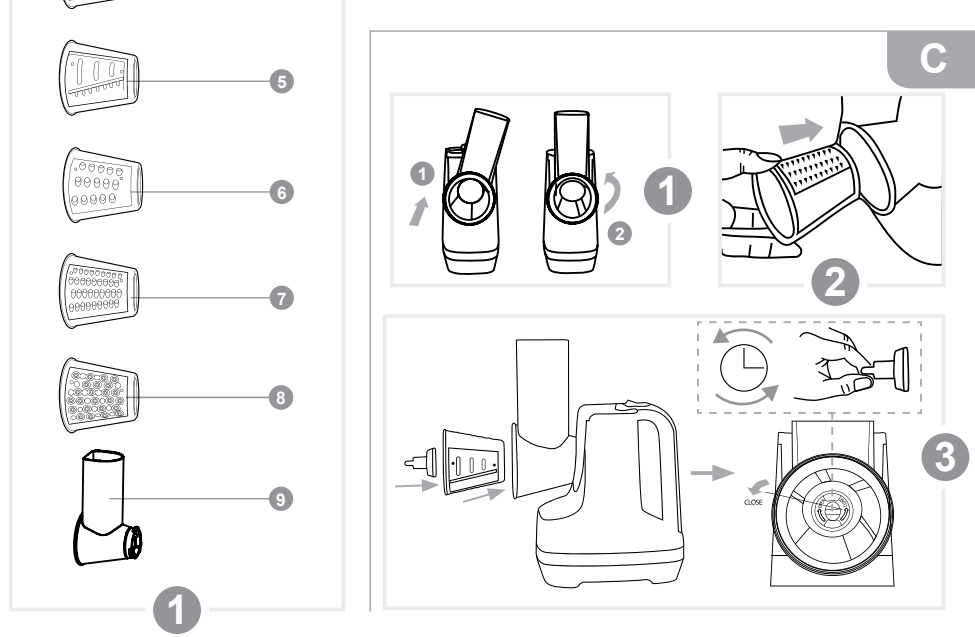
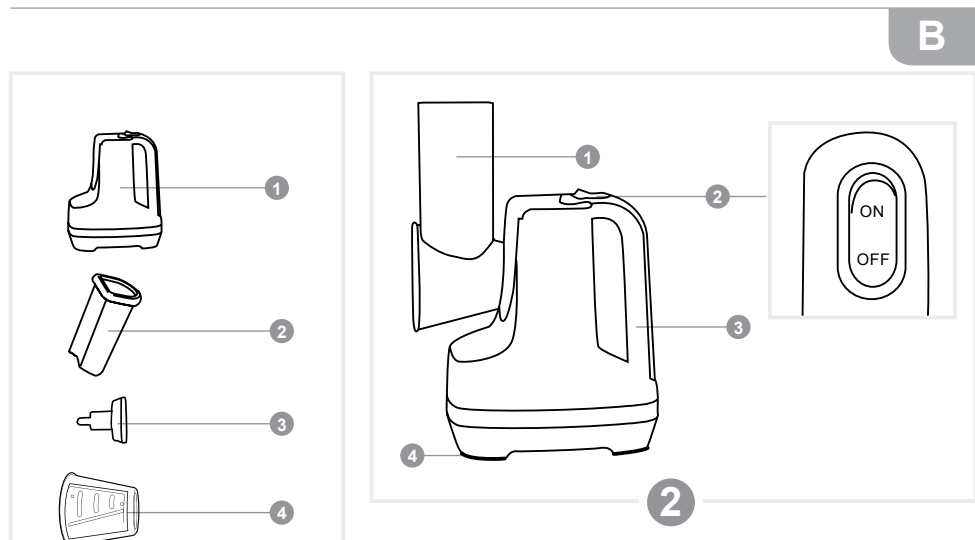
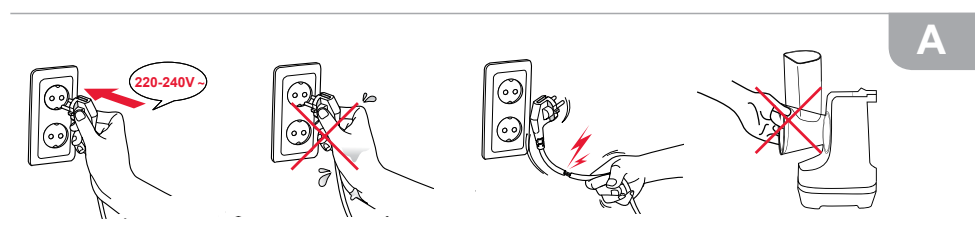
bon appétit

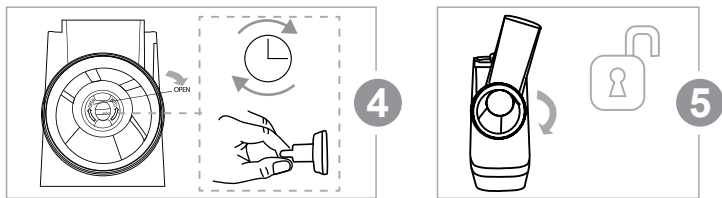


MS2050

EN Instruction manual

RU Руководство по эксплуатации





C

SAFETY INSTRUCTIONS, Pic. A

Danger symbol
A reminder to user about high voltage.

Warning symbol
A reminder to user about the necessity of operating exactly according to the instructions.

When using electrical appliances should take the following precautions:

- Use the device according to the following instructions manual.
- Install the device on a stable surface.
- Use only the tools, which are included in the product set.
 - To protect against risk of electrical shock do not put the cord in water or other liquid. If for some reason the water got into the unit, contact an authorized service center (ASC) OURSSON AG.

Danger symbol
A reminder to user about the necessity of operating exactly according to the instructions.

- For power supply, use a power grid with proper characteristics.

Do not use the device in areas where the air can contain vapors of flammable substances.

- Never attempt to open the device by yourself – it could possibly be the reason of an electrical shock can lead to product malfunction and will invalidate the manufacturer's warranty. For repair and maintenance, contact only authorized service centers meant for repair of products under the trademark OURSSON.

Danger symbol
A reminder to user about the necessity of operating exactly according to the instructions.

When moved from a cool to a warm place and vice versa unpack it before use and wait 1-2 hours without turning it on.

Danger symbol
A reminder to user about the necessity of operating exactly according to the instructions.

In order to prevent electrical shock do not immerse the entire product or the wires into the water.

Be particularly careful and cautious when using the device near children.

Do not touch any hot parts, as this may cause injury.

The power cord is specially made relatively short in order to avoid the risk of injury.

Do not allow the cord to hang over the sharp edge of the table or touch hot surfaces.

Do not connect this device to a grid which is overloaded with other appliances: it can lead to the fact that the device will not function properly.

Do not install the device near gas and electric stoves and ovens.

After use, make sure to disconnect the device from the power grid.

Keep the device from bumps, falls, vibration and other mechanical influences.

Make sure to disconnect the device from the power grid before cleaning or changing accessories.

Do not use the device outdoors.

This appliance is not intended for use by persons (including children) with reduced physical, sensory or mental capabilities, or lack of experience and knowledge. They can only use the device under the supervision of the person responsible for their safety, or after instruction on the safe use of the device. Do not allow children to play with the product.

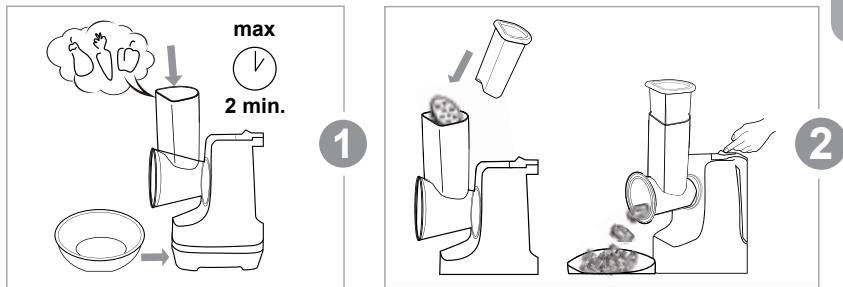
This product is intended only for use in the home.

This product is intended only for use in the home.

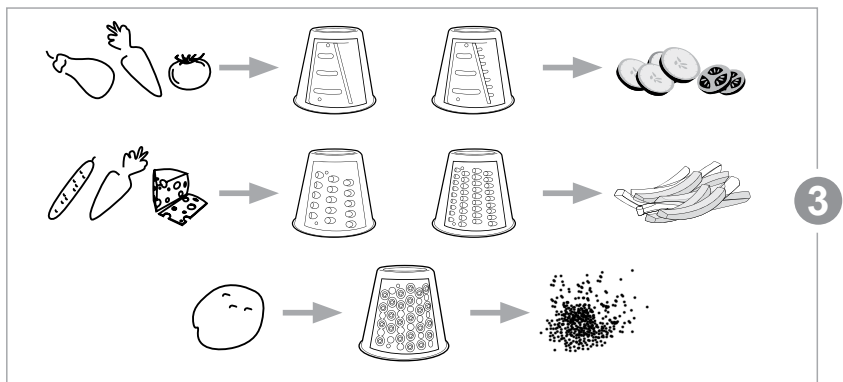
This product is intended only for use in the home.

This product is intended only for use in the home.

This product is intended only for use in the home.



D



E

	✓	✗	✓
	✗	✗	✓

4

- If the power cord is damaged, it must be replaced by a specialist from the authorized service center (ASC) OURSSON AG to avoid danger.
- Use only the tools, which are included in the product set.
- When cleaning the appliance do not use abrasives and organic cleaners (alcohol, gasoline, etc.). When cleaning the device it is allowed to use a small amount of neutral detergent.

RECOMMENDATIONS

- Please read the instruction manual before using the device. Keep the manual after reading for further use.
- All illustrations in this manual are schematic representations of real objects, which may differ from the actual images.
- When the device is working, do not open it and do not touch moving parts with hands or other objects to avoid any damage.
 - When the device is working, it is forbidden to push products through the feeding chute with fingers or other objects. Use the pusher.
- Do not turn on the device without the shredder/grater installed and fixed.

Warning symbol
A reminder to user about the necessity of operating exactly according to the instructions.

The device is equipped with a safety lock. If the shredder/grater isn't installed properly you won't be able to turn on the device.

The blades are very sharp be careful

The operation of this device in any case does not imply application of any force to it, as this may damage the product due to user fault

PRODUCTS SET, Pic. B-1

- 1 Body 1 pc.
- 2 Pusher 1 pc.
- 3 Shredder/grater holder (lock) 3 pcs.
- 4 Shredder for slices (thin) 1 pc.
- 5 Shredder for slices (thick) 1 pc.
- 6 Large grater for straw 1 pc.
- 7 Small grater for straw 1 pc.
- 8 Grater for puree 1 pc.
- 9 Cutting block 1 pc.
- Instruction Manual 1 pc.

ELEMENTS OF DESIGN, Pic. B-2

- 1 Feeding chute
- 2 Switch
- 3 Handle
- 4 Rubberized feet

UTILIZATION

Control panel, Pic. B-2-2

ON/OFF switch.

Position of switch:

«ON» – power ON;

«OFF» – power OFF.

Before first use, wipe the body of the device with a soft, dry cloth. **The rest of the parts wash with warm water** and detergent. Dry. Wipe with a dry clean cloth. **Before assembling or disassembling the device and / or removing nozzles, make sure that the device is unplugged.**

Assembling order, Pic. C

1. Place the base on a flat and stable surface. Tilt the cutting unit 9 slightly to the right and insert it into the multislicer by turning it counterclockwise until it clicks into place, Pic. C-1.
2. Select the required shredder/grater, Pic. D-3.
3. Place the shredder or grater inside the cutting unit 9. Pic. C-2. Rotate the shredder/grater slightly so that the pentagonal hole on it aligns with the shape inside the cutting block.

4. Secure the shredder/grater with the lock 3 by turning it counterclockwise, Pic. C-3.

NOTE: To change the shredder/grater, unlock it by turning the lock 3 clockwise, Pic. C-4. Replace the shredder/grater and secure it again with the lock 3.



When installing/changing the shredder/grater, hold the plastic part, do not touch the sharp knives.

Order of operation:

1. Assemble the device as indicated in the previous section, Pic. C.
2. Plug in the device. Place a suitable container under the outlet of the cutting unit 9.
3. Using the pusher, place pre-washed and, if necessary, cleaned and chopped ingredients into the feed chute, Pic. D-1.
4. Turn on the device by pressing the switch "ON position", Pic. D-2.
5. At the end of operation, turn off the device by pressing the switch "Position -OFF" and unplug the device.



The maximum allowable time of continuous use of the device is 2 minutes. The break between cycles should be 5 minutes. After 5 cycles, the break should be 25-30 minutes.



Do not grind the ingredients which temperature is higher than 80°C. Let them cool.

PREPARATION RECOMMENDATIONS

Before grinding, it is recommended that the ingredients be washed/cleaned and cut into pieces.

Operation name	Ingredients	Note
Grater for straws (large / small) 6, 7		
Preparing salads, appetizers, preparing vegetables for soups and main courses, chopping cheese and boiled eggs.	Cut the initial ingredients into pieces (carrots, zucchini, peppers, potatoes, hard cheese, chocolate) so that they freely pass through the feed chute, press them with a pusher to the grater.	Let the boiled vegetables cool completely before grating them.
Slicing (thin/thick) 4, 5		
Preparing salads, appetizers, preparing vegetables for soups and main courses, slicing.	The ingredients should be dense (cucumbers, radishes, peppers, fresh potatoes, carrots, zucchini, cabbage, etc., smoked sausages, hard cheeses, etc.). Pre-cut them into portions so that they freely pass through the feed chute. Push the ingredients with the pusher, pressing them lightly.	Store sausages and cheese in the refrigerator before slicing.
Grater (for puree) 8		
Preparation of baby food, grinding to a gruel/powder state, grating products.	Prepare the initial ingredients (hazelnuts, walnuts, dry bread, garlic, zest) cut them if necessary (hard cheese, chocolate). Push the ingredients with the pusher, pressing them lightly.	

CLEANING AND MAINTENANCE, Pic. D



- Clean all the parts of the device immediately after use.
- Switch off the device. Unplug it.
- Remove the pusher from the feed chute.
- Make sure that the moving parts have stopped. Then disconnect the shredder/grater by turning the lock clockwise, Pic. C-4. Remove the shredder/grater from the cutting unit and detach the cutting unit from the body by tilting it slightly to the right, Pic. C-5.

- All removable elements can be washed in warm water using non-abrasive detergents. They cannot be washed in the dishwasher
- Wipe the motor unit with a soft damp cloth. Never immerse the motor unit in water due to the danger of electric shock.



- Dry all parts of the device thoroughly and store in a dry and clean place.

POSSIBLE PROBLEMS AND SOLUTIONS

Possible problems	Possible causes	Solutions
Device doesn't turn on.	There is no voltage in the socket.	Unplug the device and wait until the voltage normalizes.
Device stopped working	The motor overheating protection may have tripped.	Unplug the device from the power supply and let it cool down for 15-20 minutes. Then plug in the device and turn it on. If the problem persists, contact an authorized OURSSON service center.
The device began to work slowly	Perhaps a hard piece is stuck.	Turn off the device, unplug it. Remove the attachment lock and remove it from the cutting unit. Remove the stuck pieces of the product.

SPECIFICATIONS

Model	MS2050
Power consumption, W	max 150
Rated voltage	220-240 V~; 50-60 Hz
Protection class	II
Storage and transportation temperature	-25°C to +35°C
Operation temperature	+5°C to +35°C
Humidity Requirements	15-75% without condensation
Size of the device, mm	280x199x106
Weight, kg	1,48

*Products must be stored in dry, ventilated warehouses at a temperature not lower than -25°C.

PRODUCT CERTIFICATION

For information on product certification, see <http://www.oursson.com> or ask seller for a copy.



Only a qualified specialist from OURSSON AG service center must do the repair.

SERVICING

Company OURSSON AG expresses great appreciation to you for choosing our products. We have done everything possible so that this meets your needs, and the quality corresponds to the best world standards. If your OURSSON branded product will need maintenance, please contact one of the authorized service center (hereinafter - ASC). A complete list of ASC and their exact addresses can be found on the website www.oursson.com.

Warranty obligations OURSSON AG:

1. Warranty obligations OURSSON AG, provided ASC OURSSON AG, apply only to models designed OURSSON AG for the production or supply and sale within the country where the warranty service is provided, purchased in this country, certified for compliance with the standards of this country, and also marked with official marks of conformity.
2. Warranty obligations OURSSON AG operate within the law on protection of consumer rights and are regulated by the laws of the country in which they are provided, and only when the product is used exclusively for personal, family or household purposes. Warranty obligations OURSSON AG shall not apply to uses of goods for business purposes or in connection with the acquisition of goods to meet the needs of enterprises, institutions and organizations.
3. OURSSON AG sets for its products the following terms of use and warranty periods:

Product name	Terms of use, months	Warranty Period, months
Microwave ovens breadmakers, induction hobs Multicookers, kitchen processors, electric kettles, electric grills, hand blenders, hand mixers, meat grinders, blenders, toasters, airpots, toasters, juicers, steamers, coffee makers, choppers, freezers, refrigerators, automatic coffee machines, milk frother, multi shredder Kitchen scales	60	12

4. Warranty obligations OURSSON AG shall not apply to the following products, if their replacement is assumed and is not connected with disassembling products:
 - Batteries.
 - Cases, straps, cords for carrying, mounting accessories, tools, documentation that came with the product.
5. Warranty does not cover defects caused due to violations of the rules of consumer use, storage or transportation of the goods, actions of third parties or force majeure, including but not limited to the following cases:
 - If the defect was a result of careless handling, used for other purposes, violations of conditions and

rules of operation set forth in the instruction manual, including as a result of exposure to high or low temperatures, high humidity or dust, traces of opening the device independently and/ or self-repair, mismatch state standards for power grids, getting liquids, insects or other foreign objects, substances inside the device, as well as long-term use of the product in extreme operational modes.

- If the defect of the product was a result of unauthorized attempts to test the product or make any changes in its construction or software programs, including repair or maintenance in unauthorized service centers.
 - If the defect of the product was a result of use of non-standard and/or low quality equipment, accessories, spare parts, batteries.
 - If the defect of the product is associated with its use in conjunction with additional equipment (accessories), other than additional equipment recommended by OURSSON AG for use with this product. OURSSON AG is not responsible for the quality of the additional equipment (accessories) manufactured by third parties, for the quality of its products together with such equipment, as well as the quality of the work of the additional equipment of OURSSON AG together with the products of other manufacturers.
6. Product defects detected during the lifetime of the product are eliminated by the authorized service centers (ASC). During the warranty period, elimination of defects is free of charge with the presentation of the original certificate of guarantee and documents that confirm the fact and date of the contract of retail purchase. In the absence of such documents, warranty period is calculated from the date of manufacture of goods. It should be taken into account:
 - Setup and Installation (assembly, the connection, etc.) of the product described in the documentation attached to it, does not enter the scope of warranty OURSSON AG and can be performed by the user as well as the specialists of most authorized service centers on a paid basis.
 - Work upon maintenance of products (cleaning and lubricating the moving parts, replacement of consumables and supplies, etc.) are made on a paid basis.
 7. OURSSON AG is not responsible for any damage directly or indirectly caused by their products to people, pets, property, if it occurred as a result of non-observance of the rules and conditions of use, storage, transportation or installation of the product, intentional or negligent actions of consumer or third parties.
 8. Under no circumstances, OURSSON AG is not responsible for any special, incidental, indirect or consequential loss or damage, including but not limited to: lost profits, damages caused by interruptions in the commercial, industrial or other activities, arising from the use of or inability to use the product.
 9. Due to continuous product improvement, design elements and some technical specifications are subject to change without prior notice from the manufacturer.

Using the product when after the terms of use (lifetime):

1. Lifetime set by OURSSON AG for this product applies only when the product is used exclusively for personal, family or household needs, as well as the consumer observes the correct operation, storage and transportation of products. Under the condition of careful handling of the product and compliance with the rules of operation the actual life may exceed the lifetime set by OURSSON AG.
2. At the end of the product lifetime, you should contact an authorized service center for to conduct a preventive maintenance of the product and determine the suitability for further use. Work on conducting a preventive maintenance of the products is also made in service centers on paid basis.
3. OURSSON AG does not recommend the use of this product after the end of its lifetime without its preventive maintenance by the authorized service center, since in this case, the product can be dangerous to the life, health or property of the consumer.

Product Recycling and Disposal

This appliance has been identified in accordance with the European directive 2002/96/EG on Waste Electrical and Electronic Equipment – WEEE.

After the expiration of the lifetime, the product cannot be disposed with another household waste. Instead, it shall be deposited in the appropriate recycling collection point for electrical and electronic equipment for proper treatment and disposal in accordance with federal or local law. By disposing correctly this product, you will help to conserve natural resources and preventing the product from damaging the environment and human health. For more information on the collection point and recycling of this product, please contact your local municipal authorities or the enterprise for household waste disposal.



Date of manufacture

Each product has a unique serial number in the form of alphanumeric row and is duplicated with a barcode that contains the following information: name of the product group, date of manufacture, serial number of the product. Serial number is located on the rear of the product, on the package and the warranty card.



- 1 The first two letters-correspondence to the product group (Multi shredder – MS).
- 2 The first two digits – year of manufacture.
- 3 The second two digits – week of manufacture.
- 4 The last two digits – serial number of product.

To avoid misunderstandings, we highly recommend you to read carefully the instruction manual and the warranty obligations. Check the correctness of the warranty card. Warranty card is valid only if the following are correctly and clearly stated: model, serial number, date of purchase, clear stamps, buyer's signature. The serial number and the model of the device must be the same as in the warranty card. If these conditions are not fulfilled or the data specified in the warranty card was changed, the warranty card is invalid.



If you have questions or problems with OURSSON AG products – please contact us by e-mail: support@oursson.com

This manual is under protection of international and EU copyright law. Any unauthorized use of the instructions, including copying, printing and distribution, but not limited to, involves the application of the guilty person to civil liability and criminal liability.

Contact information:

1. Manufacturer of goods - OURSSON AG (Orson AG), Rue du Grand-Chêne 5, 1003 Lausanne, Switzerland.
2. Certification information product available on the website www.oursson.com.

OURSSON AG
Made in China

ИНСТРУКЦИЯ ПО БЕЗОПАСНОСТИ, Рис. А



Символ опасности

Напоминание пользователю о высоком напряжении.



Символ предупреждения

Напоминание пользователю о необходимости проведения всех действий в соответствии с инструкцией.

При использовании электрических приборов следует соблюдать следующие меры предосторожности:

- Используйте прибор согласно данному руководству по эксплуатации.
- Устанавливайте прибор на устойчивую поверхность.
- Используйте только приспособления, входящие в комплект устройства.
 - Чтобы предотвратить риск пожара или удара током, избегайте попадания в устройство воды и эксплуатации устройства в условиях высокой влажности. Если по каким-то причинам вода попала внутрь устройства, обратитесь в уполномоченный сервисный центр (УСЦ) OURSSON AG.



- Для электропитания прибора используйте электросеть с надлежащими характеристиками.
- Не используйте прибор в помещениях, где в воздухе могут содержаться пары легковоспламеняющихся веществ.
 - Никогда самостоятельно не вскрывайте устройство – это может стать причиной поражения электрическим током, привести к выходу прибора из строя и аннулирует гарантийные обязательства производителя. Для ремонта и технического обслуживания обращайтесь только в сервисные центры, уполномоченные для ремонта изделий торговой марки OURSSON.



- При перемещении устройства из прохладного помещения в теплое и наоборот раскрутите его перед началом эксплуатации и подождите 1-2 часа, не включая.
 - В целях предотвращения поражения электрическим током не допускайте погружения проводов или всего изделия в воду.



- Будьте особенно осторожны и внимательны, если рядом с работающим прибором находятся дети.
- Не дотрагивайтесь до горячих поверхностей прибора, это может привести к травме.
- Шнур питания специально сделан относительно коротким во избежание риска получения травмы.
- Не допускайте свисания шнура через острый край стола или его касания нагретых поверхностей.
- Не подключайте данный прибор к сети, перегруженной другими электроприборами: это может привести к тому, что прибор не будет функционировать должным образом.
- Не устанавливайте изделие вблизи газовых и электрических плит, а также духовок.
- Не используйте прибор при поврежденном шнуре питания, а также в случаях, если нарушена нормальная работа изделия, если оно падало или было повреждено каким-либо другим образом.
- При отключении изделия от сети держитесь только за вилку, не тяните за провод – это может привести к повреждению провода или розетки и вызвать короткое замыкание.



- По окончании использования отключите изделие от сети.
- Оберегайте устройство от ударов, падений, вибраций и иных механических воздействий.
- Обязательно отключайте устройство от сети перед началом мойки.
- Не используйте изделие вне помещений.
- Этот прибор не предназначен для использования людьми (включая детей) с ограниченными физическими, сенсорными или умственными способностями, или нехваткой опыта и знаний. Они могут пользоваться прибором только под наблюдением человека, ответственного за их безопасность, или после инструктажа по безопасному использованию прибора. Не позволяйте детям играть с изделием.
- Настоящее изделие предназначено только для использования в быту.
- Не используйте при чистке прибора абразивные материалы и органические чистящие средства (спирт, бензин и т.д.). Для чистки корпуса прибора допускается использование небольшого количества нейтрального моющего средства.

РЕКОМЕНДАЦИИ

- Перед использованием устройства внимательно ознакомьтесь с руководством пользователя. После чтения, пожалуйста, сохраните его для использования в будущем.
- Все иллюстрации, приведенные в данной инструкции, являются схематичными изображениями реальных объектов, которые могут отличаться от их реальных изображений.
- Во время работы прибора не открывайте его и не касайтесь движущихся частей руками или другими предметами во избежание травм.
 - Во время работы прибора запрещается проталкивать продукты в загрузочную часть пальцами или какими-либо предметами. Используйте для этого только толкатель.
- Не включайте прибор без установленной и зафиксированной шинковки/терки.



Прибор оборудован защитной блокировкой. Если шинковка/терка установлена неправильно, вы не сможете включить прибор.



Ножи очень острые, будьте осторожны.



Эксплуатация данного прибора ни в коем случае не подразумевает применения к нему физической силы, так как это может привести к поломке изделия по вине пользователя.

КОМПЛЕКТАЦИЯ, Рис. В-1

1	Корпус	1 шт.
2	Толкатель	1 шт.
3	Фиксатор шинковки/терок	3 шт.
4	Шинковка ломтиками (тонкие)	1 шт.
5	Шинковка ломтиками (толстые волнистые)	1 шт.
6	Терка для соломки крупная	1 шт.
7	Терка для соломки мелкая	1 шт.
8	Терка для пюре	1 шт.
9	Режущий блок	1 шт.
	Инструкция по эксплуатации	1 шт.
	Гарантийный талон	1 шт.

ЭЛЕМЕНТЫ КОНСТРУКЦИИ, Рис. В-2

- 1 Загрузочное отверстие
- 2 Переключатель ВКЛ/ВЫКЛ
- 3 Ручка
- 4 Прорезиненные ножи

ИСПОЛЬЗОВАНИЕ

Панель управления, Рис. В-2-2

Переключатель ВКЛ/ВЫКЛ.
Положение переключателя:
«ON» – питание включено;
«OFF» – питание выключено.

Перед первым использованием протрите корпус прибора сухой и мягкой тканью. **Остальные части вымойте теплой водой** с добавлением жидкости для мытья посуды. Высушите. Протрите чистой сухой тканью. **Перед сборкой или разборкой прибора и/или отсоединением насадок убедитесь, что прибор выключен из розетки.**

Порядок сборки, Рис. С

1. Установите основание на ровную и устойчивую поверхность. Наклоните режущий блок 9 слегка вправо и вставьте его в мультирезку, повернув против часовой стрелки до щелчка, Рис.С-1.
2. Выберите необходимую шинковку/терку, Рис. D-3.
3. Установите шинковку или терку внутрь режущего блока 9, Рис. С-2. Слегка поверните шинковку/терку, чтобы пятиугольное отверстие на ней совпало с формой внутри режущего блока.

4. Зафиксируйте шинковку/терку с помощью фиксатора 3, повернув его против часовой стрелки, Рис. С-3.

ПРИМЕЧАНИЕ: Чтобы поменять шинковку/терку, разблокируйте ее, повернув фиксатор 3 по часовой стрелке, Рис. С-4. Замените шинковку/терку и снова закрепите ее фиксатором 3.



При установке/смене шинковки/терки держитесь за пластиковую часть, не прикасайтесь к острым ножам.

Порядок работы, Рис. D:

- Соберите прибор, как это указано в предыдущем разделе, Рис.С.
- Включите вилку прибора в розетку. Поместите емкость необходимого объема под выходное отверстие режущего блока 9.
- С помощью толкателя поместите заранее помывые и при необходимости, почищенные и порезанные ингредиенты в загрузочное отверстие, Рис. D-1.
- Включите прибор, нажав переключатель «Положение ON», Рис. D-2.
- После окончания приготовления выключите прибор, нажав переключатель «Положение OFF» и отключите его от сети электропитания.



Максимально допустимое время непрерывного использования прибора – 2 минуты. Перерыв между циклами должен составлять 5 мин. После 5 циклов перерыв должен составлять 25-30 мин.



Не измельчайте ингредиенты, температура которых выше 80°C. Дайте им остыть

РЕКОМЕНДАЦИИ ПО ПРИГОТОВЛЕНИЮ

Перед приготовлением рекомендуется ингредиенты помыть/почистить и нарезать на кусочки.

Наименование операции	Подготовка ингредиентов	Примечание
Шинковка ломтиками (тонкие/толстые) 4 5		
Приготовление салатов, закусок, подготовка овощей для супов и основных блюд, нарезка ломтиками	Ингредиенты должны быть плотными (огурцы, редис, перец, свежие картофель, морковь, кабачки, капуста и т.п., сырокопченые колбасы, твердые сыры и т.п.). Предварительно разрежьте их на порции, чтобы они свободно проходили через загрузочное отверстие. Продвигайте ингредиенты толкателем, слегка прижимая их.	Колбасу и сыр храните в холодильнике, перед тем, как нарезать их на ломтики.

Наименование операции	Подготовка ингредиентов	Примечание
Тёрки для соломки (мелкая/крупная) 6 7		
Приготовление салатов, закусок, подготовка овощей для супов и основных блюд, измельчение сыра и варёных яиц.	Порежьте исходные ингредиенты кусочками (морковь, кабачки, перец, картофель, твердый сыр, шоколад), чтобы они свободно проходили через загрузочное отверстие, прижимайте их толкателем к тёрке.	Перед тем, как натереть отварные овощи, остудите их полностью.
Терка для пюре 8		
Приготовление детского питания, измельчение до состояния кашицы/порошка, натирание продуктов.	Подготовьте исходные ингредиенты (фундук, грецкие орехи, сухой хлеб, чеснок, цедру) при необходимости разрежьте их (твердый сыр, шоколад). Продвигайте ингредиенты толкателем, слегка прижимая их.	

ЧИСТКА И УХОД, Рис. D

- Очищайте все детали прибора сразу после его использования.
- Выключите прибор. Отключите его от сети.
- Уберите толкатель из загрузочного отверстия.
- Убедитесь, что движущиеся детали остановились. После этого отсоедините шинковку/терку, повернув фиксатор по часовой стрелке, Рис. C-4. Выньте шинковку/терку из режущего блока и отсоедините режущий блок от корпуса, слегка наклонив его вправо, Рис. C-5.

- Все съемные элементы конструкции можно мыть в теплой воде с использованием неабразивных моющих средств. Мыть в посудомоечной машине их нельзя.



- Протрите моторный блок мягкой влажной тканью. Никогда не погружайте моторный блок в воду из-за опасности поражения током.
- Тщательно высушите все детали прибора и храните в сухом и чистом месте

ВОЗМОЖНЫЕ НЕПОЛАДКИ И СПОСОБЫ ИХ УСТРАНЕНИЯ

Возможная проблема	Возможная причина	Способы решения
Прибор не включается	Отсутствует напряжение в сети электропитания.	Отключите прибор от сети электропитания и дождитесь нормализации напряжения.
Прибор прекратил работать	Возможно, сработала защита двигателя от перегрева.	Отключите прибор от сети электропитания и дайте ему остыть 15-20 минут. Затем снова подключите прибор к сети и включите его. Если неисправность не удалось устранить, обратитесь в уполномоченный сервисный центр OURSSON.
Прибор стал работать медленно	Возможно, застрял твердый кусок.	Выключите прибор, отключите его от сети электропитания. Снимите крышку чаши, повернув ее против часовой стрелки. Удалите застрявший кусок продукта.

ТЕХНИЧЕСКИЕ ХАРАКТЕРИСТИКИ

Модель	MS2050
Потребляемая мощность, Вт	max 150
Параметры электропитания	220-240 В~; 50-60 Гц
Класс защиты	II
Температура хранения и транспортировки	от -25°C до +35°C
Температура эксплуатации	от +5°C до +35°C
Требования к влажности воздуха при хранении, транспортировке и эксплуатации	15-75% без образования конденсата
Размеры прибора, мм	280x199x106
Вес прибора, кг	1,48

* Продукция должна храниться в сухих, проветриваемых складских помещениях при температуре не ниже -25°C.

СЕРТИФИКАЦИЯ ПРОДУКЦИИ

Информацию о сертификате соответствия смотрите на сайте <http://www.oursson.com/rus/ru/about/partners/certificates/#tab0> или спрашивайте копию у продавца.



Ремонт должен производиться только квалифицированным специалистом уполномоченного сервисного центра OURSSON AG.

СЕРВИСНОЕ ОБСЛУЖИВАНИЕ

Компания OURSSON AG выражает вам огромную признательность за выбор нашей продукции. Мы сделали все возможное, чтобы данное изделие удовлетворяло вашим запросам, а качество соответствовало лучшим мировым образцам. В случае, если ваше изделие марки OURSSON будет нуждаться в техническом обслуживании, просим вас обращаться в один из Уполномоченных Сервисных Центров (далее – УЦЦ). С полным списком УЦЦ и их точными адресами вы можете ознакомиться на сайте www.oursson.ru, а также позвонив по номеру телефона бесплатной горячей линии OURSSON AG.

В случае возникновения вопросов или проблем, связанных с продукцией OURSSON AG, просим вас обращаться в письменном виде в организацию, уполномоченную на принятие и удовлетворение требований потребителей в отношении товара ненадлежащего качества, либо по электронной почте info@oursson.ru.

Условия Гарантийных обязательств OURSSON AG:

- Гарантийные обязательства OURSSON AG, предоставляемые УЦЦ OURSSON AG, распространяются только на модели, предназначенные OURSSON AG для производства или поставок и реализации на территории страны, где предоставляется гарантийное обслуживание, приобретенные в этой стране, прошедшие сертификацию на соответствие стандартам этой страны, а также маркированные официальными знаками соответствия.
- Гарантийные обязательства OURSSON AG действуют в рамках законодательства о защите прав потребителей и регулируются законодательством страны, на территории которой они предоставлены, и только при условии использования изделия исключительно для личных, семейных или домашних нужд. Гарантийные обязательства OURSSON AG не распространяются на случаи использования товаров в целях осуществления предпринимательской деятельности либо в связи с приобретением товаров в целях удовлетворения потребностей предприятий, учреждений, организаций.
- OURSSON AG устанавливает на свои изделия следующие сроки службы и гарантийные сроки:

Название продукта	Срок службы, месяцев со дня покупки	Гарантийный срок, месяцев со дня покупки
Микроволновые печи, хлебопечи, индукционные плиты	60	12
Мультиварки, кухонные процессоры, кухонные машины, электрические чайники, электрические грили, блендеры, миксеры, мясорубки, тостеры, термомолоты, ростеры, кофеварки, пароварки, соковыжималки, измельчители, дегидраторы, йогуртницы, ферментаторы, минидуховки,	36	12

Название продукта	Срок службы, месяцев со дня покупки	Гарантийный срок, месяцев со дня покупки
морозильники, холодильники, автоматические кофемашины, вспенители	36	12
Кухонные весы, сифоны	24	12

- Гарантийные обязательства OURSSON AG не распространяются на перечисленные ниже принадлежности изделия, если их замена предусмотрена конструкцией и не связана с разборкой изделия:

- Элементы питания.
- Чехлы, ремни, шнуры для переноски, монтажные приспособления, инструмент, документацию, прилагаемую к изделию.
- Аксессуары, входящие в комплект изделия, за исключением их отсутствия или наличия производственного брака.

- Гарантия не распространяется на недостатки, возникшие в изделии вследствие нарушения потребителем правил использования, хранения или транспортировки товара, действия третьих лиц или непреодолимой силы, включая, но не ограничиваясь следующими случаями:

- Если недостаток товара явился следствием небрежного обращения, применения товара не по назначению, нарушения условий и правил эксплуатации, изложенных в инструкции по эксплуатации, в том числе вследствие воздействия высоких или низких температур, высокой влажности или запыленности, следах вскрытия корпуса прибора и/или самостоятельного ремонта, несоответствия Государственным стандартам параметров питающих сетей, попадания внутрь корпуса жидкости, насекомых и других посторонних предметов, веществ, а также длительного использования изделия в предельных режимах его работы.
- Повреждения и дефекты, вызванные качеством воды и отложением накипи (очистка от накипи и чистка не входит в гарантийное обслуживание и должна РЕГУЛЯРНО производиться Вами самостоятельно).
- Если недостаток товара явился следствием несанкционированного тестирования товара или попыток внесения любых изменений в его конструкцию или его программное обеспечение, в том числе ремонта или технического обслуживания в неуполномоченной OURSSON AG ремонтной организации.
- Если недостаток товара явился следствием использования нестандартных (нетиповых) и (или) некачественных принадлежностей, аксессуаров, запчастей, элементов питания.
- Если недостаток товара связан с его применением совместно с дополнительным оборудованием (аксессуарами), отличным от дополнительного оборудования, рекомендованного OURSSON

AG к применению с данным товаром. OURSSON AG не несет ответственность за качество дополнительного оборудования (аксессуаров), произведенного третьими лицами, за качество работы своих изделий совместно с таким оборудованием, а также за качество работы дополнительного оборудования производства компании OURSSON AG совместно с изделиями других производителей.

6. Недостатки товара, обнаруженные в период срока службы, устраняются уполномоченными на это ремонтными организациями (УСЦ). В течение гарантийного срока устранение недостатков производится бесплатно при предъявлении оригинала заполненного гарантийного талона и документов, подтверждающих факт и дату заключения договора розничной купли-продажи (товарный, кассовый чек и т. п.). В случае отсутствия указанных документов гарантийный срок исчисляется со дня изготовления товара. При этом следует учитывать:

- Настройка и установка (сборка, подключение и т. п.) изделия, описанная в документации, прилагаемой к нему, не входит в объем гарантийных обязательств OURSSON AG и могут быть выполнены как самим пользователем, так и специалистами большинства уполномоченных сервисных центров соответствующего профиля на платной основе.
- Работы по техническому обслуживанию изделий (чистка и смазка движущихся частей, замена расходных материалов и принадлежностей и т. п.) производятся на платной основе.

7. OURSSON AG не несет ответственности за возможный вред, прямо или косвенно нанесенный своей продукцией людям, домашним животным, имуществу в случае, если это произошло в результате несоблюдения правил и условий эксплуатации, хранения, транспортировки или установки изделия; умышленных или неосторожных действий потребителя или третьих лиц.

8. Ни при каких обстоятельствах OURSSON AG не несет ответственности за какой-либо особый, случайный, прямой или косвенный ущерб или убытки, включая, но не ограничиваясь перечисленным, упущенную выгоду, убытки, вызванные перерывами в коммерческой, производственной или иной деятельности, возникающие в связи с использованием или невозможностью использования изделия.

9. Вследствие постоянного совершенствования продукции элементы дизайна и некоторые технические характеристики продукта могут быть изменены без предварительного уведомления со стороны производителя.

Использование изделия по истечении срока службы

1. Срок службы, установленный OURSSON AG для данного изделия, действует только при условии использования изделия исключительно для личных, семейных или домашних нужд, а также соблюдении потребителем правил эксплуатации, хранения и транспортировки изделия. При условии аккуратного обращения с изделием и соблюдения правил эксплуатации фактический срок службы может превышать срок службы, установленный OURSSON AG.
2. По окончании срока службы изделия вам необходимо обратиться в Уполномоченный сервисный центр

для проведения профилактического обслуживания изделия и определения его пригодности к дальнейшей эксплуатации. Работы по профилактическому обслуживанию изделия и его диагностике выполняются сервисными центрами на платной основе.

3. OURSSON AG не рекомендует продолжать эксплуатацию изделия по окончании срока службы без проведения его профилактического обслуживания в Уполномоченном сервисном центре, т. к. в этом случае изделие может представлять опасность для жизни, здоровья или имущества потребителя.

Утилизация изделия

Этот бытовой электроприбор имеет обозначение согласно требованиям Директивы ЕС 2002/96/EG об отслуживших свой срок электрических и электронных приборах (waste electrical and electronic equipment – WEEE). После окончания срока службы изделия его нельзя выбрасывать вместе с обычным бытовым мусором. Вместо этого оно подлежит сдаче на утилизацию в соответствующий пункт приема электрического и электронного оборудования для последующей переработки и утилизации в соответствии с федеральным или местным законодательством. Обеспечивая правильную утилизацию данного продукта, вы помогаете сберечь природные ресурсы и предотвращаете ущерб для окружающей среды и здоровья людей, который возможен в случае ненадлежащего обращения. Более подробную информацию о пунктах приема и утилизации данного продукта можно получить в местных муниципальных органах или на предприятии по вывозу бытового мусора.



Дата производства

Каждому изделию присваивается уникальный серийный номер в виде буквенно-цифрового ряда и дублируется штрих-кодом, который содержит следующую информацию: название товарной группы, дату производства, порядковый номер изделия. Серийный номер располагается на задней панели продукта, на упаковке и в гарантийном талоне.



Серийный номер располагается на задней панели продукта, на упаковке и в гарантийном талоне.

- 1 Первые две буквы – соответствие товарной группе (вспениватель молока – MF)
- 2 Первые две цифры – год производства
- 3 Вторые две цифры – месяц производства
- 4 Последние цифры – порядковый номер изделия



Во избежание недоразумений убедительно просим вас внимательно изучить Руководство по эксплуатации изделия и условия гарантийных обязательств, проверить правильность заполнения гарантийного талона. Гарантийный талон действителен только при наличии правильно и четко указанных: модели, серийного номера изделия, даты покупки, четких печатей фирмы-продавца, подписи покупателя. Серийный номер и модель изделия должны соответствовать указанным в гарантийном талоне. При нарушении этих условий, а также в случае, когда данные, указанные в гарантийном талоне, изменены или стерты, талон признается недействительным.

oursson

Горячая линия OURSSON AG обеспечивает полную информационную поддержку деятельности компании в России, странах СНГ и Балтии. Профессиональные операторы быстро ответят на любой интересующий вас вопрос. Вы можете обращаться в единый центр по вопросам сервисного сопровождения, для рекомендаций специалистов по настройке и подключению, для информирования о местах продаж, с вопросами о рекламных акциях и розыгрышах, проводимых компанией, а также с любыми другими вопросами о деятельности компании на территории России, стран СНГ и Балтии.

Есть вопросы? Звоните, мы поможем!

Телефон горячей линии OURSSON AG (бесплатные звонки со стационарных телефонов):

8 800 100 8 708

Время работы горячей линии:

понедельник-пятница с 10:00 до 20:00 (по московскому времени); без выходных, 7 дней в неделю.

Настоящая инструкция является объектом охраны в соответствии с международным и российским законодательством об авторском праве. Любое несанкционированное использование инструкции, включая копирование, тиражирование и распространение, но не ограничиваясь этим, влечет применение к виновному лицу гражданско-правовой ответственности, а также уголовной ответственности в соответствии со статьей 146 УК РФ и административной ответственности в соответствии со статьей 7.12 КоАП РФ (ст.150.4 КоАП в старой редакции).

Контактная информация:

1. Изготовитель товара – OURSSON AG (ОПСОН АГ), Ул. Гран-Шен 5, 1003 Лозанна, Швейцария.
2. Организация, уполномоченная на принятие и удовлетворение требований потребителей в отношении товара ненадлежащего качества (уполномоченное изготовителем лицо), – ООО «ОПСОН», 125445, Москва, Ленинградское шоссе, д. 65, стр. 3.
3. Информация о сертификации продукта доступна на сайте www.oursson.com.
4. Импортёр продукции OURSSON AG: РФ и/или страны ETC: смотрите информацию на упаковке товара.

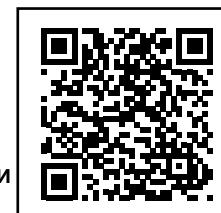
OURSSON AG

Сделано в КНР

forum.oursson.ru



Скачайте мобильное приложение с рецептами к технике Oursson



EAC