

Instruction manual  
Инструкция по эксплуатации

Blender BR1242  
Блендер BR1242



## СОДЕРЖАНИЕ

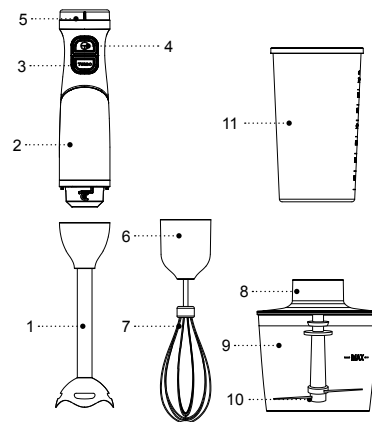
EN.....	3
DE.....	11
RU.....	21
KZ.....	30

**BLENDER BR1242**

The immersion blender included into the blender set is intended for whisking, mixing, chopping and combined processing of liquid and solid products.

**DESCRIPTION**

1. Blender attachment
2. Motor unit
3. «TURBO» button
4. ON/OFF button
5. Rotation speed control knob
6. Whisk attachment gear
7. Whisk attachment
8. Chopper geared lid
9. Chopper bowl
10. Chopping knife
11. Cup



## SAFETY MEASURES AND OPERATION RECOMMENDATIONS

Read the operation instructions carefully before using the unit, after reading keep them for future reference.

- Use the unit for its intended purpose only, as it is stated in this manual.
- Mishandling the unit can lead to its breakage and cause harm to the user or damage to the user's property, which is not covered by warranty.
- Make sure that the operating voltage of the unit indicated on the label corresponds to your home mains voltage.

**ATTENTION! Continuous operation time should not exceed 60 seconds while using the blender attachment, 30 seconds while using the chopper attachment and 1 minute while using the whisk attachment. Make at least a 3-minute break between operation cycles.**

- Do not use the unit outdoors.
- It is recommended not to use the unit during lightning storms.
- Protect the unit from impacts, falling, vibrations and other mechanical stress.
- Never leave the unit connected to the mains unattended.
- Do not use the unit near heating appliances, heat sources or open flame.

- Do not use the unit in places where aerosols are used or sprayed, and in proximity to inflammable liquids.
- Do not use the unit in proximity to the kitchen sink, in bathrooms, near swimming pools or other containers filled with water.
- If the unit is dropped into water, unplug it immediately, and only then you can take the unit out of water. Apply to the authorized service center for testing or repairing the unit.
- Do not let the power cord touch hot surfaces and sharp edges of furniture.
- Unplug the unit after usage or before cleaning. When unplugging the unit, hold the power plug and carefully remove it from the mains socket, do not pull the power cord, as this can lead to its damage and cause a short circuit.
- Do not touch the unit body, the power cord and the power plug with wet hands.
- Before using the unit for the first time, thoroughly wash all the removable attachments and containers that will contact food.
- Use only the parts supplied.
- Do not touch rotating parts of the unit. Do not let hair or free hanging clothes get into the rotation area of the blender attachment knife or whisk.
- Before using the unit, make sure that the attachments are installed properly and fixed.
- Place the chopper bowl on a flat and steady surface.

- Put the products into the chopper bowl before switching the unit on. Do not switch the unit on if the chopper bowl is empty.
- Cool down hot products before putting them into the chopper bowl.
- Watch the amount of products put in the chopper bowl and the level of poured liquids.
- Cutting edges of the chopping knife and the blender attachment are sharp and dangerous. Be careful while using the chopping knife and the blender attachment.
- If the chopping knife stops during the unit operation, switch the unit off, unplug it and open the geared lid, remove the product which is hindering the knife rotation. If the chopping knife or blender attachment rotation is hindered, it is recommended to add some water, juice, liquor etc. into the chopper bowl or the container used with the blender attachment.
- Remove the motor unit from the chopper bowl only after disconnecting the motor unit from the mains.
- Do not place the chopper bowl and the measuring cup into a microwave oven.
- Do not put the attachments and bowls in a dishwashing machine.
- For children safety reasons do not leave polyethylene bags used as a packaging unattended.

### ATTENTION!

Do not allow children to play with polyethylene bags or packaging film. **Danger of suffocation!**

- The unit is not intended for usage by children.
- Do not leave children unattended to prevent using the unit as a toy.
- Do not allow children to touch the operating surface, the unit body, the power cord or the power plug during operation of the unit.
- Be especially careful if children or disabled persons are near the operating unit.
- During the unit operation and breaks between operation cycles, place the unit out of reach of children.
- The unit is not intended for usage by physically or mentally disabled persons (including children) or by persons lacking experience or knowledge if they are not under supervision of a person who is responsible for their safety or if they are not instructed by this person on the usage of the unit.
- From time to time check the power cord integrity.
- If the power cord is damaged, it should be replaced by the manufacturer, a maintenance service or similar qualified personnel to avoid danger.
- Do not repair the unit by yourself. Do not disassemble the unit by yourself, if any malfunction is detected, and after the unit was dropped, unplug it and apply to the service center.
- To avoid damages, transport the unit in the original package.
- Keep the unit in a dry cool place out of reach of children and disabled persons.

**THE UNIT IS INTENDED FOR HOUSEHOLD USE ONLY, DO NOT USE THE UNIT FOR COMMERCIAL OR LABORATORY PURPOSES.**

## BEFORE THE FIRST USE

**After the unit's transportation or storage at negative temperature, unpack it and wait for at least 3 hours before using it.**

- Unpack the unit and remove all the packaging materials.
- Keep the original package.
- Read the safety measures and operating recommendations.
- Check the delivery set.
- Examine the unit for damages, in case of damage do not plug it into the mains.
- Make sure that the indicated specifications of the power supply voltage of the unit correspond to the specifications of your mains.
- Before using the unit wash the whisk attachment (7), the bowl (9), the chopping knife (10) and the cup (11) with warm water and a neutral detergent and dry them.
- Wash only the lower part of the blender attachment (1), clean the outer surface with a slightly damp cloth. Never immerse the blender attachment (1) into water or any other liquids completely.
- Wipe the motor unit (2), the chopper geared lid (8), the whisk attachment gear (6) with a soft, slightly damp cloth and then wipe them dry.

### ATTENTION!

Do not immerse the blender attachment (1), the motor unit (2), the chopper geared lid (8), the whisk attachment gear (6), the power cord and the power plug into water or any other liquids.

## USING THE BLENDER ATTACHMENT

**Continuous operation time should not exceed 60 seconds while using the blender attachment (1). Make at least 3 minutes break between the operation cycles.**

- Use the blender attachment (1) for making sauces, mayonnaise, fruit puree, baby food, mixing various ingredients and for processing fruit and vegetables containing enough liquid.
- **Before installing the blender attachment (1), make sure that the power plug is not inserted into the mains socket.**
- Insert the blender attachment (1) into the motor unit (2), and turn it counterclockwise as far as it will go, make sure that the attachment is fixed properly (fig. 1).
- Insert the power plug into the mains socket.
- Immerse the blender attachment (1) into the bowl with food that you want to chop/mix; you can also put the food in the measuring cup (11).

### ATTENTION!

Hold the motor unit (2) with the blender attachment (1) vertically while processing the food.

- To switch the unit on, press and hold down the button (4). Use this operation mode for mixing liquid products.
- When you press and hold the button (4) you can control the attachment rotation speed by turning the control knob (5). Use this operation mode for processing of liquid and solid products.
- For operation at the maximal rotation speed, press and hold down the button (3) «TURBO».
- **Notes:**
  - products should be put into the bowl before the unit is switched on. The amount of products to be processed should not exceed 2/3 of the capacity of the bowl in which they are processed.
  - before chopping and mixing peel the fruit, remove inedible parts, such as stones, and cut fruit into 15x15x15 mm cubes. Put them into a bowl and add some juice or water. The maximal amount of products should not exceed 350 g and 250 ml of water or juice.
  - do not chop or mix frozen food.

### ATTENTION!

When chopping hard vegetables, for example, carrots — cut the carrot into small 15x15x15 mm pieces and put them in the cup (11). The maximal weight of the carrot should not exceed 250 g. Add 350 ml of water.

- To switch the blender attachment (1) rotation off release the button (3 or 4).
- After you finish the unit operation, take the power plug out of the mains socket and remove the blender attachment (1), turning it clockwise.

### • ATTENTION!

- Do not remove the blender attachment (1) during the unit operation.
- To avoid damaging the knives of the blender attachment (1) do not process very hard products, such as cereals, rice, coffee beans, hard cheese, frozen food etc.
- If the foodstuffs are hard to chop with the blender attachment (1), add some water, juice, liquor etc.

## USING THE CHOPPER

**Continuous operation time should not exceed 30 seconds while using the chopper attachment. Make at least 3 minutes break between the operation cycles.**

- The attachment is used to chop meat, cheese, onion, herbs, garlic, carrots, walnuts, prunes, vegetables or fruit.

### ATTENTION!

Do not chop very hard products, such as nutmegs, coffee beans, cereals, frozen food or ice.

**PREPARING THE FOOD BEFORE CHOPPING:**

- Remove bones, veins, cartilage and fat from meat.
- Cut meat, cheese, onions, vegetables or fruit into pieces approximately 60x20x20 mm in size. Maximal weight of the meat should not exceed 200 g.
- Remove stems of herbs, shell nuts.

**CHOPPING**

**Before assembling the chopper, make sure that the power plug is not inserted into the mains socket.**

- Place the chopper bowl (9) on a flat and steady surface.
- Install the chopping knife (10) on the axis inside the bowl (9).

**ATTENTION!**

The blades of chopping knife (10) are very sharp! Always hold the chopping knife (10) by the plastic end.

- Put the products into the bowl (9).
- **Note:** — do not switch the unit on when the bowl (9) is empty.
- Install the geared lid (8) on the bowl (9).
- Install the motor unit (2) on the geared lid (8) feeding chute, turn the motor unit (2) clockwise until bumping, make sure that the motor unit (2) is fixed properly. Install the motor unit (2) evenly in vertical position (fig. 2).

- Insert the power plug into the mains socket.
- To switch the unit on, press and hold down the button (4) .
- When you press and hold the button (4) you can control the chopping knife (10) rotation speed by turning the control knob (5).
- For operation at the maximal rotation speed, press and hold down the button (3) «TURBO».
- During the unit operation hold the motor unit (2) with one hand and the chopper bowl (9) with the other hand.
- Release the button (3 or 4) to switch off.
- After the unit operation, wait till the chopping knife (10) completely stops rotating.
- Remove the power plug from the mains socket.
- Disconnect the motor unit (2) from the geared lid (8) by turning the motor unit (2) counterclockwise.
- Remove the geared lid (8) from the bowl (9).
- Carefully remove the chopping knife (10) from the bowl (9) holding it by the plastic end.
- Take the chopped products out of the bowl (9).

**USING THE WHISK ATTACHMENT**

- Continuous operation time should not exceed 1 minute while using the whisk attachment (7). Make at least a 3-minute break between operation cycles.

**ATTENTION!**

Do not use the whisk attachment (7) to knead tight dough.

- Use the whisk attachment (7) only for beating egg whites, making biscuit dough or for mixing ready desserts.

**Before installing the whisk attachment (7), make sure that the power plug is not inserted into the mains socket.**

- Insert the whisk attachment (7) into the whisk gear (6).
- Insert the whisk gear (6) into the motor unit (2) and turn it counterclockwise, make sure that the gear (6) and the whisk (7) are fixed properly (fig. 3).
- Insert the power plug into the mains socket.
- Immerse the whisk attachment (7) into a suitable bowl with food. You can put the foodstuffs into the cup (11).
- To switch the unit on, press and hold down the button (4) .
- When you press and hold the button (4) you can control the attachment rotation speed
- by turning the control knob (5).
- For operation at the maximal rotation speed, press and hold down the button (3) «TURBO».
- Release the button (3 or 4) to switch off.
- After you finish using the unit, disconnect the power plug from the mains socket, disconnect the whisk gear (6) from the motor unit (2) by turning the gear (6) clockwise.
- Remove the whisk attachment (7) from the gear (6).

**CLEANING****ATTENTION!**

The blades of the chopping knife (10) are very sharp and may be dangerous. Handle the chopping knife (10) very carefully!

- Unplug the unit after you finish using it.
- Wash the whisk attachment (7), the chopper bowl (9), the chopping knife (10) and the cup (11) with warm water and a neutral detergent and dry them.
- Wash only the lower part of the blender attachment (1), clean the outer surface with a slightly damp cloth. Never immerse the blender attachment (1) into water or any other liquids completely.
- Wipe the motor unit (2), the geared lid (8) and the whisk attachment gear (6) with a soft slightly damp cloth and then wipe them dry.
- After processing salty or sour products, it is necessary to rinse the blender attachment (1) or the chopping knife (10) with water immediately.
- While possessing products with dyeing properties (for instance, carrot or beetroot) the attachments and bowls can get colored, wipe the attachments and the bowls with a cloth, dampened in vegetable oil; after that wash the attachments and bowls with a neutral detergent, rinse and dry them.
- Do not immerse the motor unit (2), the gear (6), the geared lid (8) into any liquids, do not wash them under water jet or in a dishwashing machine.

- Do not use abrasives and solvents to clean the motor unit body (2) and the removable parts.

### STORAGE

- Clean the unit parts before taking it away for long storage.
- Do not wind the power cord around the motor unit (2).
- Keep the unit in a dry cool place out of reach of children and disabled persons.

### DELIVERY SET

- Motor unit — 1 pc.
- Blender attachment — 1 pc.
- Whisk gear — 1 pc.
- Whisk attachment — 1 pc.
- Geared lid — 1 pc.
- Chopping knife — 1 pc.
- Chopper bowl — 1 pc.
- Cup — 1 pc.
- Instruction manual — 1 pc.

### TECHNICAL SPECIFICATIONS

- Power supply: 220-240 V, ~ 50-60 Hz
- Rated input power: 800 W

### RECYCLING



To prevent possible damage to the environment or harm to the health of people by uncontrolled waste disposal, after expiration of the service life of the unit or the batteries (if included), do not discard them with usual household waste, but take the

unit and the batteries to specialized stations for further recycling.

The waste generated during the disposal of the unit is subject to mandatory collection and consequent disposal in the prescribed manner.

For further information about recycling of this product apply to a local municipal administration, a disposal service or to the shop where you purchased this product.

The manufacturer reserves the right to change the appearance, design and specifications not affecting general operation principles of the unit, without prior notice.

The unit operating life is 3 years

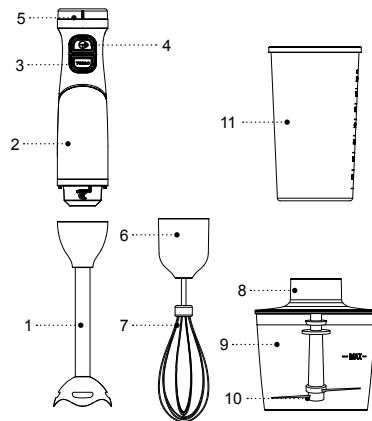
The manufacturing date is specified in the serial number. In case of any malfunctions promptly apply to the authorized service center.

## STABMIXER BR1242

Der im Stabmixer-Satz enthaltene Stabmixer wird zum Schlagen, Mixen, Zerkleinern und gemeinsamen Bearbeiten von flüssigen und festen Nahrungsmitteln verwendet.

### BESCHREIBUNG

- Stabmixeraufsatz
- Motoreinheit
- Geschwindigkeitseinschalttaste «TURBO»
- Geschwindigkeitseinschalttaste
- Drehgeschwindigkeitsregler
- Schlagbesengetriebe
- Schlagbesenaufsatz
- Getriebedeckel des Zerkleinerers
- Zerkleinerungsbehälter
- Zerkleinerungsmesser
- Becher



## SICHERHEITSHINWEISE UND BEDIENUNGSANLEITUNG

**Bevor Sie das Gerät benutzen, lesen Sie zuerst die Bedienungsanleitung aufmerksam durch und bewahren Sie sie zum späteren Gebrauch auf.**

- Benutzen Sie das Gerät nur bestimmungsmäßig und laut dieser Bedienungsanleitung.
- Missbrauch des Geräts kann zu seiner Störung führen, den Benutzer oder sein Eigentum beschädigen und ist kein Garantiefall.
- Vergewissern Sie sich, dass die auf dem Bezeichnungszettel angegebene Betriebsspannung und die Netzspannung übereinstimmen.

**ACHTUNG! Der Betrieb soll 60 Sekunden mit dem Stabmixeraufsatz, 30 Sekunden mit dem Zerkleinerungsaufsatz und 1 Minute mit dem Schlagbesenaufsatz nicht überschreiten. Machen Sie eine mindestens 3-Minuten-Betriebszyklenpause.**

- Es ist nicht gestattet, das Gerät draußen zu benutzen.
- Es ist nicht empfohlen, das Gerät bei Gewitter zu benutzen.
- Schützen Sie das Gerät vor Stößen, Stürzen, Vibrationen und anderen mechanischen Einwirkungen.
- Lassen Sie das ans Stromnetz angeschlossene Gerät nie unbeaufsichtigt.

- Benutzen Sie das Gerät in direkter Nähe von Heizgeräten, Wärmequellen oder offenem Feuer nicht.
- Es ist verboten, das Gerät an den Orten, wo Sprays verwendet werden, sowie in der Nähe von leichtentzündbaren Flüssigkeiten zu benutzen.
- Benutzen Sie das Gerät in der Nähe von Spülbecken, in Badezimmern und neben den Wasserbecken oder anderen mit Wasser gefüllten Behältern nicht.
- Falls das Gerät ins Wasser gefallen ist, ziehen Sie den Netzstecker aus der Steckdose sofort heraus, erst danach holen Sie das Gerät aus dem Wasser heraus. Wenden Sie sich an einen autorisierten Kundendienst, um das Gerät prüfen oder reparieren zu lassen.
- Achten Sie darauf, dass das Netzkabel heiße Oberflächen und scharfe Möbelkanten nicht berührt.
- Trennen Sie das Gerät nach dem Gebrauch oder vor der Reinigung vom Stromnetz ab. Wenn Sie das Gerät vom Stromnetz abtrennen, halten Sie den Netzstecker fest und ziehen Sie ihn aus der Steckdose vorsichtig heraus; ziehen Sie das Netzkabel nicht, da es zu seiner Beschädigung und einem Kurzschluss führen kann.
- Berühren Sie das Gerätegehäuse, das Netzkabel und den Netzstecker mit nassen Händen nicht.
- Vor der ersten Gerätenutzung spülen Sie alle mit den Nahrungsmitteln zu kontaktierenden abnehmbaren Aufsätze und Behälter sorgfältig durch.
- Benutzen Sie nur die mitgelieferten Teile.
- Berühren Sie keine drehenden Geräteteile. Halten Sie Haar oder frei hängende Kleiderstücke vom Drehbereich des Messers des Stabmixeraufsatzes oder des Schlagbesens fern.
- Vergewissern Sie sich vor der Gerätenutzung, dass die Aufsätze richtig aufgestellt und befestigt sind.
- Stellen Sie den Zerkleinerungsbehälter auf eine ebene und standfeste Oberfläche auf.
- Legen Sie die Nahrungsmittel in den Zerkleinerungsbehälter vor der Geräteeinschaltung ein, es ist verboten, das Gerät ohne Nahrungsmittel im Zerkleinerungsbehälter einzuschalten.
- Kühlen Sie heiße Nahrungsmittel ab, bevor Sie sie in den Zerkleinerungsbehälter einlegen.
- Beachten Sie die Nahrungsmittelmenge und den Flüssigkeitenfüllstand im Zerkleinerungsbehälter.
- Die Schneidkanten des Zerkleinerungsmessers und des Stabmixeraufsatzes sind scharf und gefährlich, gehen Sie mit den Zerkleinerungsmessern und dem Stabmixeraufsatz vorsichtig um.
- Wenn das Zerkleinerungsmesser während des Betriebs stoppt, schalten Sie das Gerät aus, ziehen Sie den Netzstecker aus der Steckdose heraus, nehmen Sie den Getriebedeckel ab und entfernen Sie das die Zerkleinerungsmesserdrehung verändernde Nahrungsmittel. Bei schwer drehendem Zerkleinerungsmesser und Stabmixeraufsatz ist es empfohlen, Wasser, Saft, Brühe usw. in den Zerkleinerungsbehälter oder in den Behälter mit verwendetem Stabmixeraufsatz einzugeben.

- Nehmen Sie die Motoreinheit vom Zerkleinerungsbehälter erst nach dem Abtrennen der Motoreinheit vom Stromnetz ab.
- Es ist nicht gestattet, den Zerkleinerungsbehälter und den Messbecher in den Mikrowellenofen zu stellen.
- Es ist nicht gestattet, die Aufsätze und die Behälter in der Geschirrspülmaschine zu waschen.
- Aus Kindersicherheitsgründen lassen Sie die als Verpackung verwendeten Plastiktüten nie ohne Aufsicht.

### ACHTUNG!

Lassen Sie Kinder mit Plastiktüten oder Verpackungsfolien nicht spielen. **Erstickungsgefahr!**

- Das Gerät ist nicht für Kinder bestimmt.
- Beaufsichtigen Sie Kinder, damit sie das Gerät als Spielzeug nicht benutzen.
- Lassen Sie Kinder die Arbeitsfläche, das Gerätegehäuse, das Netzkabel oder den Netzstecker während des Gerätebetriebs nicht berühren.
- Besondere Vorsichtsmaßnahmen sind in den Fällen angesagt, wenn sich Kinder oder behinderte Personen während des Gerätebetriebs in der Nähe aufhalten.
- Während des Betriebs und der Pausen zwischen den Betriebszyklen stellen Sie das Gerät an einen für Kinder unzugänglichen Ort auf.
- Dieses Gerät ist für Personen (darunter Kinder) mit Körper-, Nerven- und Geistesstörungen

oder Personen ohne ausreichende Erfahrung und Kenntnisse nicht geeignet, wenn sie sich unter Aufsicht der Person, die für ihre Sicherheit verantwortlich ist, nicht befinden oder entsprechende Anweisungen über die Nutzung des Geräts nicht bekommen haben.

- Prüfen Sie die Unversehrtheit des Netzkabels von Zeit zu Zeit.
- Wenn das Netzkabel beschädigt ist, soll es vom Hersteller, vom Kundendienst oder von ähnlich qualifiziertem Personal ersetzt werden, um Gefahren zu vermeiden.
- Es ist nicht gestattet, das Gerät selbständig zu reparieren. Es ist nicht gestattet, das Gerät selbständig auseinanderzunehmen; bei der Feststellung jeglicher Beschädigungen, sowie im Sturzfall, trennen Sie das Gerät vom Stromnetz ab und wenden Sie sich an einen Kundendienst.
- Um Beschädigungen zu vermeiden, transportieren Sie das Gerät nur in der Fabrikverpackung.
- Bewahren Sie das Gerät an einem trockenen, kühlen und für Kinder und behinderte Personen unzugänglichen Ort auf.

**DAS GERÄT IST NUR FÜR DEN GEBRAUCH IM HAUSHALT GEEIGNET, ES IST VERBOTEN, DAS GERÄT ZU INDUSTRIE- ODER LABORZWECKEN ZU BENUTZEN.**

## VOR DEM ERSTEN BETRIEB

**Packen Sie das Gerät aus und warten Sie mindestens 3 Stunden, bevor Sie es bei einer negativen Temperatur transportieren oder bewahren.**

- Packen Sie das Gerät aus und entfernen Sie alle Verpackungsmaterialien.
- Bewahren Sie die Originalverpackung auf.
- Lesen Sie die Sicherheitsmaßnahmen und Bedienungsempfehlungen.
- Prüfen Sie die Komplettheit.
- Prüfen Sie das Gerät auf Beschädigungen; wenn es beschädigt ist, schließen Sie es ans Stromnetz nicht an.
- Vergewissern Sie sich, dass die angegebenen Parameter der Geräteversorgungsspannung und die Stromnetzparameter übereinstimmen.
- Vor der Gerätenutzung waschen Sie den Schlagbesenaufsatz (7), den Zerkleinerungsbehälter (9), das Zerkleinerungsmesser (10) und den Becher (11) mit Warmwasser und einem neutralen Reinigungsmittel und trocknen Sie sie ab.
- Am Stabmixeraufsatz (1) spülen Sie nur den Unterteil aus und wischen Sie die Außenseite mit einem leicht angefeuchteten Tuch ab. Es ist nicht gestattet, den Stabmixeraufsatz (1) ins Wasser oder jegliche andere Flüssigkeiten vollständig einzutauchen.

- Wischen Sie die Motoreinheit (2), den Getriebedeckel des Zerkleinerers (8), das Schlagbesengetriebe (6) mit einem weichen, leicht angefeuchteten Tuch, danach trocknen Sie sie ab.

### ACHTUNG!

Es ist verboten, den Stabmixeraufsatz (1), die Motoreinheit (2), den Getriebedeckel (8), das Schlagbesengetriebe (6), das Netzkabel und den Netzkabelstecker ins Wasser oder jegliche andere Flüssigkeiten einzutauchen.

## NUTZUNG DES STABMIXERAUFSATZES

**Der Betrieb mit dem Stabmixeraufsatz (1) soll 60 Sekunden nicht überschreiten. Machen Sie eine mindestens 3-Minuten-Betriebszyklenpause.**

- Verwenden Sie den Stabmixeraufsatz (1) zum Zubereiten von Soßen, Mayonnaise, Fruchtpürees, Säuglingsnahrung, zum Mischen verschiedener Zutaten und zum Bearbeiten von Obst und Gemüse mit einer ausreichenden Saftmenge.

**Vergewissern Sie sich vor dem Aufstellen des Stabmixeraufsatzes (1), dass der Netzstecker an die Steckdose nicht angeschlossen ist.**

- Setzen Sie den Stabmixeraufsatz (1) in die Motoreinheit (2) ein und drehen Sie sie entgegen dem Uhrzeigersinn bis zum Anschlag; vergewissern Sie sich, dass der Aufsatz fest befestigt ist (Abb. 1).

- Stecken Sie den Netzstecker in die Steckdose ein.
- Tauchen Sie den Stabmixeraufsatz (1) in einen Behälter mit Nahrungsmitteln, die Sie zerkleinern/mixen möchten, ein, dafür können Sie den Becher (11) benutzen.

### ACHTUNG!

Bei der Verarbeitung von Nahrungsmitteln halten Sie die Motoreinheit (2) mit dem Stabmixeraufsatz (1) aufrecht.

- Um das Gerät einzuschalten, drücken und halten Sie die Taste (4). Benutzen Sie diesen Betrieb, um flüssige Nahrungsmittel zu mixen.
- Beim Drücken und Halten der Taste (4) können Sie die Aufsatzdrehgeschwindigkeit mit dem Regler (5) einstellen. Benutzen Sie diesen Betrieb, um flüssige und harte Nahrungsmittel zusammen zu bearbeiten.
- Für die Höchstgeschwindigkeit drücken und halten Sie die Taste (3) «TURBO».
- **Anmerkungen:**
  - legen Sie die Nahrungsmittel in den Behälter vor der Geräteeinschaltung ein. Die Menge der zu verarbeitenden Nahrungsmittel soll 2/3 des Fassungsvermögens des Behälters nicht überschreiten.
  - vor dem Zerkleinern und Mischen ist es notwendig, die Früchte zu schälen, ungenießbare Teile wie Samen zu entfernen, die Früchte in 15×15×15 mm große Würfel zu schneiden, sie



in einen Behälter einzulegen und dann Saft oder Wasser zuzugeben; die Maximalmenge soll 350 g für Nahrungsmittel und 250 ml für Wasser oder Saft betragen.

- Es ist verboten, Gefriernahrungsmittel zu zerkleinern oder zu mixen.

#### ACHTUNG!

Wenn Sie hartes Gemüse wie Karotte zerkleinern, schneiden Sie die Karotte in kleine Stücke von 15×15×15 mm und legen Sie sie in den Becher (11) ein, dabei soll das maximale Karottengewicht 250 g nicht überschreiten, und geben Sie 350 ml Wasser hinzu.

- Lassen Sie die Taste (3 oder 4) los, um die Drehung des Stabmixeraufsatzes (1) auszuschalten.
- Nach der Gerätenutzung ziehen Sie den Netzstecker aus der Steckdose heraus und nehmen Sie den Stabmixeraufsatz (1) ab, indem Sie ihn im Uhrzeigersinn drehen.

#### • ACHTUNG!

- Es ist verboten, den Stabmixeraufsatz (1) während des Betriebs zu entfernen.
- Um die Stabmixeraufsatzmesser (1) nicht zu beschädigen, sollen keine sehr harten Nahrungsmittel wie Getreide, Reis, Kaffeebohnen, Hartkäse, Gefrierprodukte usw. bearbeitet werden.

- Wenn die Nahrungsmittel mit dem Stabmixeraufsatz (1) schwer zu bearbeiten sind, müssen Sie eine kleine Menge Wasser, Saft, Brühe usw. hinzufügen.

### ZERKLEINERERBETRIEB

**Der Zerkleinereraufsatzbetrieb soll 30 Sekunden nicht überschreiten. Machen Sie eine mindestens 3-Minuten-Betriebszyklenpause.**

- Der Aufsatz wird zum Zerkleinern von Fleisch, Käse, Zwiebeln, Kräuter, Knoblauch, Karotten, Walnüsse, Backpflaumen, Gemüse oder Obst verwendet.

#### ACHTUNG!

Es ist verboten, sehr harte Nahrungsmittel wie Muskatnüsse, Kaffeebohnen, Getreide sowie Gefriernahrungsmittel oder Eis zu zerkleinern.

### VORBEREITUNG DER NAHRUNGSMITTEL VOR DEM ZERKLEINERN:

- Entfernen Sie Knochen, Sehnen, Knorpel und Fett vom Fleisch.
- Schneiden Sie Fleisch, Käse, Zwiebel, Gemüse und Früchte in Stücke ca. 60x20x20 mm groß. Das maximale Fleischgewicht soll 200 g nicht übersteigen.
- Entfernen Sie Stängel bei Kräutern, schälen Sie Nüsse.

### ZERKLEINERUNG

**Vergewissern Sie sich vor dem Zusammensetzen des Zerkleinerers, dass der Netzstecker an die Steckdose nicht angeschlossen ist.**

- Stellen Sie den Zerkleinerungsbehälter (9) auf eine ebene und standfeste Oberfläche auf.
- Setzen Sie das Zerkleinerungsmesser (10) auf die Achse im Behälter (9) auf.

#### ACHTUNG!

Die Klingen des Zerkleinerungsmessers (10) sind sehr scharf! Halten Sie das Zerkleinerungsmesser (10) immer nur am Plastikendstück.

- Legen Sie die Nahrungsmittel in den Behälter (9) ein.
- Anmerkung: — schalten das Gerät mit dem leeren Behälter (9) nicht ein.
- Setzen Sie den Getriebedeckel (8) auf den Behälter (9) auf.
- Setzen Sie die Motoreinheit (2) am Halsloch des Getriebedeckels (8) auf, drehen Sie die Motoreinheit (2) im Uhrzeigersinn bis zum Anschlag und vergewissern Sie sich, dass die Motoreinheit (2) sicher befestigt ist. Stellen Sie die Motoreinheit (2) senkrecht und windungsfrei auf (Abb. 2).
- Stecken Sie den Netzstecker in die Steckdose ein.
- Um das Gerät einzuschalten, drücken und halten Sie die Taste (4) .

- Beim Drücken und Halten der Taste (4) können Sie die Drehgeschwindigkeit des Zerkleinerungsmessers (10) mit dem Regler (5) einstellen.
- Für die Höchstgeschwindigkeit drücken und halten Sie die Taste (3) «TURBO».
- Während des Betriebs halten Sie die Motoreinheit (2) mit einer Hand und den Zerkleinerungsbehälter (9) mit der anderen.
- Lassen Sie die Taste (3 oder 4) zum Ausschalten los.
- Nach der Gerätenutzung warten Sie ab, bis das Zerkleinerungsmesser (10) vollständig stoppt.
- Ziehen Sie den Netzstecker aus der Steckdose heraus.
- Trennen Sie die Motoreinheit (2) vom Getriebedeckel (8), indem Sie die Motoreinheit (2) entgegen dem Uhrzeigersinn drehen.
- Nehmen Sie den Getriebedeckel (8) vom Behälter (9) ab.
- Nehmen Sie das Zerkleinerungsmesser (10) aus dem Behälter (9) vorsichtig aus, indem Sie es am Kunststoffendstück festhalten.
- Nehmen Sie die zerkleinerten Nahrungsmittel aus dem Behälter (9) heraus.

### NUTZUNG DES SCHLAGBESENAUFSATZES

**Der Betrieb mit dem Schlagbesenaufsatz (7) soll 1 Minute nicht überschreiten. Machen Sie eine mindestens 3-Minuten-Betriebszyklenpause.**

**ACHTUNG!**

Es ist nicht gestattet, den Schlagbesenaufsatz (7) zum Anrühren des festen Teigs zu benutzen.

- Der Schlagbesenaufsatz (7) wird nur zum Schlagen von Eiweiß, zum Zubereiten von leichtem Teig oder zum Mischen von fertigen Desserts verwendet.

**Vergewissern Sie sich vor dem Aufstellen des Schlagbesenaufsatz (7), dass der Netzstecker an die Steckdose nicht angeschlossen ist.**

- Setzen Sie den Stabmixeraufsatz (7) in das Schlagbesengetriebe (6) ein.
- Setzen Sie das Schlagbesengetriebe (6) in die Motoreinheit (2) ein und drehen Sie es entgegen dem Uhrzeigersinn, vergewissern Sie sich, dass das Getriebe (6) und das Schlagbesen (7) fest befestigt sind (Abb. 3).
- Stecken Sie den Netzstecker in die Steckdose ein.
- Tauchen Sie den Schlagbesen (7) in einen geeigneten Behälter, in den Sie die Nahrungsmittel gelegt haben, ein. Sie können die Nahrungsmittel in den Becher (11) einlegen.
- Um das Gerät einzuschalten, drücken und halten Sie die Taste (4) .
- Beim Drücken und Halten der Taste (4) können Sie die Drehgeschwindigkeit des Schlagbesens mit dem Regler (5) einstellen.
- Für die Höchstgeschwindigkeit drücken und halten Sie die Taste (3) «TURBO».

- Lassen Sie die Taste (3 oder 4) zum Ausschalten los.
- Nach der Gerätenutzung ziehen Sie den Netzstecker aus der Steckdose heraus, trennen Sie das Schlagbesengetriebe (6) von der Motoreinheit (2) ab, indem Sie das Getriebe (6) im Uhrzeigersinn drehen.
- Nehmen Sie den Schlagbesenaufsatz (7) aus dem Getriebe (6) heraus.

**REINIGUNG****ACHTUNG!**

Die Klingen des Zerkleinerungsmessers (10) sind sehr scharf und können gefährlich sein. Gehen Sie mit dem Zerkleinerungsmesser (10) sehr vorsichtig um!

- Nach dem Gerätebetrieb ziehen Sie den Netzstecker aus der Steckdose heraus.
- Waschen Sie den Schlagbesenaufsatz (7), den Zerkleinerungsbehälter (9), das Zerkleinerungsmesser (10) und den Becher (11) mit Warmwasser und einem neutralen Reinigungsmittel und trocknen Sie sie ab.
- Am Stabmixeraufsatz (1) spülen Sie nur den Unterteil aus und wischen Sie die Außenseite mit einem leicht angefeuchteten Tuch ab. Es ist nicht gestattet, den Stabmixeraufsatz (1) ins Wasser oder jegliche andere Flüssigkeiten vollständig einzutauchen.
- Wischen Sie die Motoreinheit (2), den Getriebedeckel (8) und das Schlagbesengetriebe (6) mit einem

weichen, leicht angefeuchteten Tuch ab, danach trocknen Sie sie ab.

- Nach der Zerkleinerung von salzigen oder saueren Nahrungsmitteln spülen Sie den Stabmixeraufsatz (1) und das Zerkleinerungsmesser (10) mit Wasser sofort aus.
- Bei der Zerkleinerung von Nahrungsmitteln mit starken Farbeigenschaften, z.B. Karotte oder Rüben, können sich die Aufsätze oder die Behälter färben, wischen Sie die Aufsätze und die Behälter mit einem mit Pflanzenöl angefeuchteten Tuch, danach waschen Sie die Aufsätze und die Behälter mit einem neutralen Waschmittel, spülen und trocknen Sie diese ab.
- Es ist nicht gestattet, die Motoreinheit (2), das Getriebe (6) und den Getriebedeckel (8) in jegliche Flüssigkeiten einzutauchen, sowie diese unter dem Wasserstrahl zu spülen und in der Geschirrspülmaschine zu waschen.
- Zum Reinigen des Motoreinheitsgehäuses (2) und der abnehmbaren Teile dürfen keine Schleifreinigungs- und Lösungsmittel verwendet werden.

**AUFBEWAHRUNG**

- Reinigen Sie die Geräteteile, bevor Sie das Gerät für längere Zeit lagern.
- Wickeln Sie das Netzkabel über die Motoreinheit (2) nicht auf.

- Bewahren Sie das Gerät an einem trockenen, kühlen und für Kinder und behinderte Personen unzugänglichen Ort auf.

**LIEFERUMFANG**

1. Motoreinheit — 1 Stk.
2. Stabmixeraufsatz — 1 Stk.
3. Schlagbesengetriebe — 1 Stk.
4. Schlagbesenaufsatz — 1 Stk.
5. Getriebedeckel — 1 Stk.
6. Zerkleinerungsmesser — 1 Stk.
7. Zerkleinerungsbehälter — 1 Stk.
8. Becher — 1 Stk.
9. Bedienungsanleitung — 1 Stk.

**TECHNISCHE EIGENSCHAFTEN**

- Stromversorgung: 220-240 V, ~ 50-60 Hz
- Nennleistungsaufnahme: 800 W

**ENTSORGUNG**

Um mögliches Schaden für die Umwelt oder die menschliche Gesundheit durch unkontrollierte Abfallentsorgung zu vermeiden, werfen Sie das Gerät und die Batterien (falls mitgeliefert) nach Beendigung ihrer Nutzungsdauer zusammen mit gewöhnlichen Haushaltsabfällen nicht weg, geben Sie das Gerät und die Batterien in die Spezialpunkte für weitere Entsorgung über.

Die bei der Entsorgung der Erzeugnisse entstehenden Abfälle sind unbedingt zu sammeln und weiter ordnungsmäßig zu entsorgen.

Mehrere Information zur Entsorgung dieses Produkts erhalten Sie bei Ihrer lokalen Stadtverwaltung, einem Abfallentsorgungsdienst oder beim Geschäft, wo Sie dieses Produkt gekauft haben.

Der Hersteller behält sich das Recht vor, das Design, die Konstruktion und die das gemeine Gerätebetriebsprinzip nicht beeinflussenden technischen Eigenschaften ohne Vorbenachrichtigung zu verändern.

**Nutzungsdauer des Geräts beträgt 3 Jahre**

**Das Herstellungsdatum ist in der Fabrikationsnummer angegeben.**

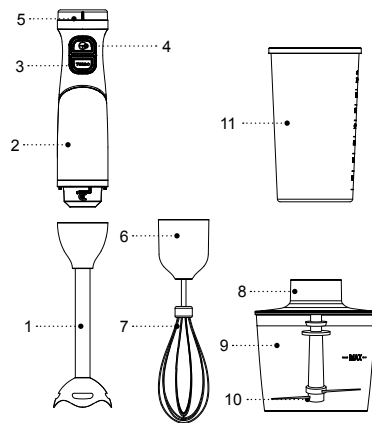
**Bei Störungsfeststellung wenden Sie sich baldigst an einen autorisierten Kundendienst.**

## БЛЕНДЕР BR1242

Погружной блендер, входящий в состав блендерного набора, используется для взбивания, смешивания, измельчения и совместной обработки жидких и твёрдых продуктов.

### ОПИСАНИЕ

1. Насадка-блендер
2. Моторный блок
3. Кнопка включения максимальной скорости «TURBO»
4. Кнопка включения скорости
5. Регулятор скорости вращения
6. Редуктор насадки-венчика
7. Насадка-венчик
8. Крышка-редуктор измельчителя
9. Ёмкость измельчителя
10. Нож-измельчитель
11. стакан



## МЕРЫ БЕЗОПАСНОСТИ И РЕКОМЕНДАЦИИ ПО ЭКСПЛУАТАЦИИ

**Перед использованием устройства внимательно ознакомьтесь с руководством по эксплуатации, после прочтения сохраните его для использования в будущем.**

- Используйте устройство только по его прямому назначению, как изложено в данной инструкции.
- Неправильное обращение с устройством может привести к его поломке, причинению вреда пользователю или его имуществу и не является гарантийным случаем.
- Убедитесь, что рабочее напряжение устройства, указанное на этикетке, соответствует напряжению электросети.

**ВНИМАНИЕ! Время непрерывной работы с насадкой-блендером не должно превышать 60 секунд, с насадкой измельчителем 30 секунд, с насадкой-венчиком 1 минуту. Между рабочими циклами делайте перерыв не менее 3 минут.**

- Запрещается использовать устройство вне помещений.
- Не рекомендуется использовать устройство во время грозы.
- Оберегайте устройство от ударов, падений, вибраций и иных механических воздействий.
- Не оставляйте устройство, включенное в сеть, без присмотра.

- Не используйте устройство в непосредственной близости от нагревательных приборов, источников тепла или открытого пламени.
- Запрещается использовать устройство в местах, где используются или распыляются аэрозоли, а также вблизи от легковоспламеняющихся жидкостей.
- Не используйте устройство вблизи от кухонной раковины, в ваннных комнатах, около бассейнов или других ёмкостей, наполненных водой.
- Если устройство упало в воду, немедленно выньте вилку шнура питания из электрической розетки, и только после этого можно достать устройство из воды. Обратитесь в сервисный центр для осмотра или ремонта устройства.
- Не допускайте, чтобы шнур питания касался горячих поверхностей и острых кромок мебели.
- Отключайте устройство от электросети после использования или перед чисткой. При отключении устройства от электрической сети держитесь за вилку шнура питания и аккуратно выньте её из электрической розетки, не тяните за шнур питания — это может привести к его повреждению и вызвать короткое замыкание.
- Не прикасайтесь к корпусу устройства, к шнуру питания и к вилке шнура питания мокрыми руками.
- Перед первым использованием устройства тщательно промойте все съёмные насадки и ёмкости, которые будут контактировать с продуктами.

- Используйте только детали, которые входят в комплект поставки.
- Не прикасайтесь к вращающимся деталям устройства. Не допускайте попадания волос или свободных висящих элементов одежды в зону вращения ножа насадки-блендера или венчика.
- Перед использованием устройства убедитесь, что насадки установлены правильно и зафиксированы.
- Устанавливайте ёмкость измельчителя на ровную и устойчивую поверхность.
- Помещайте продукты в ёмкость измельчителя до включения устройства, запрещается выключать устройство, если в ёмкости измельчителя нет продуктов.
- Охлаждайте горячие продукты прежде, чем поместить их в ёмкость измельчителя.
- Следите за количеством продуктов, помещённых в ёмкость измельчителя и уровнем налитых жидкостей.
- Режущие кромки ножа-измельчителя и насадки-блендера острые и представляют опасность, обращайтесь с ножом-измельчителем и насадкой-блендером осторожно.
- Если во время работы произошла остановка ножа-измельчителя, выключите устройство, выньте вилку шнура питания из электрической розетки, снимите крышку-редуктор и удалите продукт, мешающий вращению ножа-измельчителя. При затруднении вращения ножа-измельчителя и насадки-блендера рекомендуется добавить в

ёмкость измельчителя или в ёмкость, в которой используется насадка-блендер, воду, сок, отвар и т.д.

- Снимать моторный блок с ёмкости измельчителя можно только после отключения моторного блока от электрической сети.
- Запрещается помещать ёмкость измельчителя и мерный стакан в микроволновую печь.
- Не помещайте насадки и ёмкости в посудомоечную машину.
- Из соображений безопасности детей не оставляйте полиэтиленовые пакеты, используемые в качестве упаковки, без надзора.

### ВНИМАНИЕ!

Не разрешайте детям играть с полиэтиленовыми пакетами или упаковочной плёнкой. **Опасность удушья!**

- Устройство не предназначено для использования детьми.
- Осуществляйте надзор за детьми, чтобы не допустить использования устройства в качестве игрушки.
- Не разрешайте детям прикасаться к рабочей поверхности, к корпусу устройства, к шнуру питания или к вилке шнура питания во время работы устройства.
- Будьте особенно внимательны, если поблизости от работающего устройства находятся дети или лица с ограниченными возможностями.

- Во время работы и в перерывах между рабочими циклами размещайте устройство в местах, недоступных для детей.
- Прибор не предназначен для использования лицами (включая детей) с пониженными физическими, психическими или умственными способностями, или при отсутствии у них опыта или знаний, если они не находятся под контролем или не проинструктированы лицом, ответственным за их безопасность, об использовании прибора.
- Периодически проверяйте целостность шнура питания.
- При повреждении шнура питания его замену, во избежание опасности, должны производить изготовитель, сервисная служба или подобный квалифицированный персонал.
- Запрещается самостоятельно ремонтировать устройство. Не разбирайте устройство самостоятельно, при возникновении любых неисправностей, а также после падения устройства отключите его от электросети и обратитесь сервисный центр.
- Во избежание повреждений перевозите устройство в заводской упаковке.
- Храните устройство в сухом прохладном месте, недоступном для детей и людей с ограниченными возможностями.

**УСТРОЙСТВО ПРЕДНАЗНАЧЕНО ТОЛЬКО ДЛЯ БЫТОВОГО ИСПОЛЬЗОВАНИЯ, ЗАПРЕЩАЕТСЯ ИСПОЛЬЗОВАТЬ УСТРОЙСТВО В КОММЕРЧЕСКИХ ИЛИ ЛАБОРАТОРНЫХ ЦЕЛЯХ.**

## ПЕРЕД ПЕРВЫМ ИСПОЛЬЗОВАНИЕМ

**После транспортировки или хранения устройства при отрицательной температуре, распакуйте его и подождите не менее 3 часов перед использованием.**

- Распакуйте устройство и удалите все упаковочные материалы.
- Сохраните заводскую упаковку.
- Ознакомьтесь с мерами безопасности и рекомендациями по эксплуатации.
- Проверьте комплектацию.
- Осмотрите устройство на наличие повреждений, при наличии повреждений не включайте его в сеть.
- Убедитесь, что указанные параметры напряжения питания устройства соответствуют параметрам электрической сети.
- Перед использованием устройства промойте насадку-венчик (7), чашу измельчителя (9), нож-измельчитель (10), стакан (11) тёплой водой с нейтральным моющим средством и просушите.
- У насадки-блендера (1) промывайте только нижнюю часть, внешнюю поверхность протрите слегка влажной тканью. Запрещается полностью погружать насадку-блендер (1) в воду или любые другие жидкости.
- Моторный блок (2), крышку-редуктор измельчителя (8), редуктор насадки-венчика (6) протрите мягкой, слегка влажной тканью, после чего вытрите насухо.

### ВНИМАНИЕ!

Запрещается погружать насадку-блендер (1), моторный блок (2), крышку-редуктор (8), редуктор насадки-венчика (6), шнур питания и вилку шнура питания в воду или любые другие жидкости.

## ИСПОЛЬЗОВАНИЕ НАСАДКИ-БЛЕНДЕР

**Время непрерывной работы с насадкой-блендером (1) не должно превышать 60 секунд. Между рабочими циклами делайте перерыв не менее 3 минут.**

- Насадку-блендер (1) используйте для приготовления соусов, майонеза, фруктовых пюре, детских смесей, смешивания разнообразных ингредиентов, для переработки фруктов и овощей, содержащих достаточное количество сока.
- Перед установкой насадки-блендера (1) убедитесь в том, что вилка шнура питания не вставлена в электрическую розетку.
- Вставьте насадку-блендер (1) в моторный блок (2) и поверните её против часовой стрелки до упора, убедитесь в надёжной фиксации насадки (рис. 1).
- Вставьте вилку шнура питания в электрическую розетку.
- Погрузите насадку-блендер (1) в ёмкость с продуктами, которые вы хотите измельчить/перемешать, можно поместить продукты в стакан (11).

### ВНИМАНИЕ!

При переработке продуктов держите моторный блок (2) с насадкой-блендером (1) вертикально.

- Для включения нажмите и удерживайте кнопку (4). Используйте этот режим работы для смешивания жидких продуктов.
- При нажатии и удержании кнопки (4) Вы можете регулировать скорость вращения насадки поворотом регулятора (5). Используйте этот режим работы для переработки жидких и твёрдых продуктов.
- Для работы в режиме максимальной скорости нажмите и удерживайте кнопку (3) «TURBO».
- **Примечания:**
  - продукты помещаются в ёмкость до включения устройства. Объём перерабатываемых продуктов не должен превышать 2/3 от объёма ёмкости, в которой они перерабатываются.
  - перед измельчением и смешиванием необходимо очистить фрукты от кожуры, удалить несъедобные части, такие как косточки, порезать фрукты кубиками размером около 15×15×15 мм, поместить их в ёмкость, затем добавить сок или воду, максимальный объём продуктов не должен превышать 350 г и 250 мл воды или сока.
  - запрещается измельчать или смешивать замороженные продукты.

**ВНИМАНИЕ!**

При измельчении твёрдых овощей, например, моркови, нарежьте морковь на мелкие кусочки 15×15×15 мм и поместите их в стакан (11), при этом максимальный вес моркови не должен превышать 250 г, и добавьте 350 мл воды.

- Для выключения вращения насадки-блендера (1) отпустите кнопку (3 или 4).
- После завершения работы выньте вилку шнура питания из электрической розетки и снимите насадку-блендер (1), повернув её по часовой стрелке.

**ВНИМАНИЕ!**

- Во время работы запрещается снимать насадку-блендер (1).
- Во избежание повреждения ножей насадки-блендера (1) запрещается перерабатывать очень твёрдые продукты, такие как крупы, рис, зёрна кофе, твёрдые сорта сыра, замороженные продукты и т.п.
- Если во время работы с насадкой-блендером (1) возникают трудности в измельчении продуктов, необходимо добавить небольшое количество воды, сока, отвара и т.п.

**ИСПОЛЬЗОВАНИЕ ИЗМЕЛЬЧИТЕЛЯ**

**Время непрерывной работы с насадкой измельчителем не должно превышать 30 секунд. Между рабочими циклами делайте перерыв не менее 3 минут.**

- Насадка используется для измельчения мяса, сыра, лука, трав, чеснока, моркови, грецких орехов, чернослива, овощей или фруктов.

**ВНИМАНИЕ!**

Запрещается измельчать очень твёрдые продукты, такие как мускатный орех, зёрна кофе, злаки, а также замороженные продукты или лёд.

**ПОДГОТОВКА ПРОДУКТОВ ПЕРЕД ИЗМЕЛЬЧЕНИЕМ:**

- Удалите из мяса кости, жилы, хрящи и жир.
- Нарежьте мясо, сыр, лук, овощи или фрукты кусочками приблизительно 60×20×20 мм. Максимальный вес мяса не должен превышать 200 г.
- Удалите у трав стебли, очистите орехи от скорлупы.

**ИЗМЕЛЬЧЕНИЕ**

**Перед сборкой измельчителя убедитесь в том, что вилка шнура питания не вставлена в электрическую розетку.**

- Установите ёмкость измельчителя (9) на ровную и устойчивую поверхность.
- Установите нож-измельчитель (10) на ось внутри ёмкости (9).

**Внимание: лезвия ножа-измельчителя (10) очень острые! Всегда держите нож-измельчитель (10) за пластмассовый хвостовик.**

- Поместите продукты в ёмкость (9).
- **Примечание:** — не включайте устройство с пустой ёмкостью (9).
- Установите крышку-редуктор (8) на ёмкость (9).
- Установите моторный блок (2) на горловину крышки-редуктора (8), поверните моторный блок (2) по часовой стрелке до упора, убедитесь в надёжной фиксации моторного блока (2). Устанавливайте моторный блок (2) вертикально и без перекосов (рис. 2).
- Вставьте вилку шнура питания в электрическую розетку.
- Для включения нажмите и удерживайте кнопку (4).
- При нажатии и удержании кнопки (4) Вы можете регулировать скорость вращения ножа-измельчителя (10) поворотом регулятора (5).
- Для работы в режиме максимальной скорости нажмите и удерживайте кнопку (3) «TURBO».
- Во время работы держите моторный блок (2) одной рукой, а ёмкость измельчителя (9) — придерживайте другой рукой.

- Для выключения отпустите кнопку (3 или 4).
- После использования устройства дождитесь полной остановки вращения ножа-измельчителя (10).
- Выньте вилку шнура питания из электрической розетки.
- Отсоедините моторный блок (2) от крышки-редуктора (8), повернув моторный блок (2) против часовой стрелки.
- Снимите крышку-редуктор (8) с ёмкости (9).
- Соблюдая осторожность, выньте из ёмкости (9) нож-измельчитель (10), держась за пластмассовый хвостовик.
- Извлеките измельчённые продукты из ёмкости (9).

**ИСПОЛЬЗОВАНИЕ НАСАДКИ-ВЕНЧИКА**

**Время непрерывной работы с насадкой-венчиком (7) не должно превышать 1 минуту. Между рабочими циклами делайте перерыв не менее 3 минут.**

**ВНИМАНИЕ!**

Запрещается использовать насадку-венчик (7) для замешивания крутого теста.

- Насадка-венчик (7) используется только для взбивания яичного белка, приготовления лёгкого теста или для перемешивания готовых десертов.
- Перед установкой насадки-венчика (7) убедитесь в том, что вилка шнура питания не вставлена в электрическую розетку.

- Вставьте насадку-венчик (7) в редуктор венчика (6).
- Вставьте редуктор венчика (6) в моторный блок (2) и поверните его против часовой стрелки, убедитесь в надежной фиксации редуктора (6) и венчика (7) (рис. 3).
- Вставьте вилку шнура питания в электрическую розетку.
- Опустите насадку-венчик (7) в подходящую ёмкость, в которую Вы поместили продукты. Можно поместить продукты в стакан (11).
- Для включения нажмите и удерживайте кнопку (4).
- При нажатии и удержании кнопки (4) Вы можете регулировать скорость вращения насадки-венчика поворотом регулятора (5).
- Для работы в режиме максимальной скорости нажмите и удерживайте кнопку (3) «TURBO».
- Для выключения отпустите кнопку (3 или 4).
- После использования устройства выньте вилку шнура питания из электрической розетки, отсоедините редуктор венчика (6) от моторного блока (2), повернув редуктор (6) по часовой стрелке.
- Выньте насадку-венчик (7) из редуктора (6).

## ЧИСТКА

### ВНИМАНИЕ!

Лезвия ножа-измельчителя (10) очень острые и могут представлять опасность. Обращайтесь с ножом-измельчителем (10) крайне осторожно!

- После использования устройства выньте вилку шнура питания из электрической розетки.
- Промойте насадку-венчик (7), чашу измельчителя (9), нож-измельчитель (10), стакан (11) тёплой водой с нейтральным моющим средством и просушите их.
- У насадки-блендера (1) промывайте только нижнюю часть, внешнюю поверхность протрите слегка влажной тканью. Запрещается полностью погружать насадку-блендер (1) в воду или любые другие жидкости.
- Моторный блок (2), крышку-редуктор (8), редуктор насадки-венчика (6) протрите мягкой, слегка влажной тканью, после чего вытрите насухо.
- После переработки солёных или кислых продуктов необходимо сразу ополоснуть водой насадку-блендер (1) или нож-измельчитель (10).
- При переработке продуктов с красящими свойствами, например, моркови или свёклы, насадки и ёмкости могут окраситься, протрите насадки и ёмкости тканью, смоченной растительным маслом, после чего промойте насадки и ёмкости с нейтральным моющим средством, ополосните и просушите.
- Запрещается погружать моторный блок (2), редуктор (6), крышку-редуктор (8) в любые жидкости, а также промывать их под струёй воды или помещать в посудомоечную машину.
- Запрещается для чистки корпуса моторного блока (2) и съёмных деталей использовать абразивные чистящие средства и растворители.

## ХРАНИЕ

- Перед тем, как убрать устройство на длительное хранение, проведите чистку деталей устройства.
- Запрещается наматывать шнур питания на моторный блок (2).
- Храните устройство в сухом прохладном месте, недоступном для детей и людей с ограниченными возможностями.

## КОМПЛЕКТ ПОСТАВКИ

1. Моторный блок — 1 шт.
2. Насадка-блендер — 1 шт.
3. Редуктор венчика — 1 шт.
4. Насадка-венчик — 1 шт.
5. Крышка-редуктор — 1 шт.
6. Нож-измельчитель — 1 шт.
7. Ёмкость измельчителя — 1 шт.
8. Стакан — 1 шт.
9. Инструкция — 1 шт.

## ТЕХНИЧЕСКИЕ ХАРАКТЕРИСТИКИ

- Электропитание: 220-240 В, ~ 50-60 Гц
- Номинальная потребляемая мощность: 800 Вт

Дата производства указана в серийном номере.

В случае обнаружения каких-либо неисправностей необходимо обратиться в авторизованный сервисный центр.

## УТИЛИЗАЦИЯ



Чтобы предотвратить возможный вред окружающей среде или здоровью людей от неконтролируемой утилизации отходов, после окончания срока службы устройства или элементов питания (если входят в комплект), не выбрасывайте их вместе с обычными бытовыми отходами, передайте прибор и элементы питания в специализированные пункты для дальнейшей утилизации.

Отходы, образующиеся при утилизации изделий, подлежат обязательному сбору с последующей утилизацией в установленном порядке.

Для получения дополнительной информации об утилизации данного продукта обратитесь в местный муниципалитет, службу утилизации бытовых отходов или в магазин, где Вы приобрели данный продукт.

Производитель сохраняет за собой право изменять дизайн, конструкцию и технические характеристики, не влияющие на общие принципы работы устройства, без предварительного уведомления.

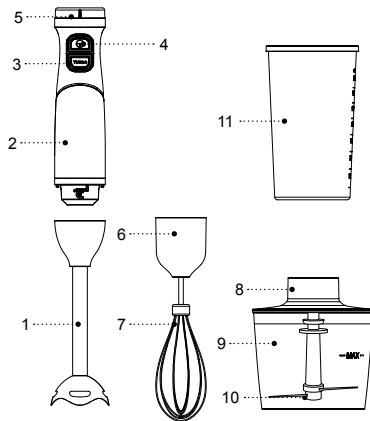
Срок службы устройства — 3 года

## БЛЕНДЕР BR1242

Блендер құрамына кіретін, батырмалы блендер бұлғауға, араластыруға, ұсақтауға, сондай-ақ сұйық және қатты өнімдерді бірге өңдеуге арналған.

### ОПИСАНИЕ

1. Қондырма-блендер
2. Моторлық блок
3. «TURBO» жылдамдығын қосу батырмасы
4. жылдамдығын қосу батырмасы
5. Айналыру жылдамдығының реттегіші
6. Бұлғауыш-қондырмасының редукторы
7. Бұлғауыш-қондырма
8. Ұсақтағыштың қақпақ-редукторы
9. Ұсақтағыш сыйымдылығы
10. Ұсақтағыш-пышақ
11. Стақан



## ҚАУІПСІЗДІК ШАРАЛАРЫ ЖӘНЕ ПАЙДАЛА- НУ БОЙЫНША НҰСҚАУЛЫҚ

Құрылғыны пайдалану алдында пайдалану нұсқаулығын мұқият оқып шығыңыз, оқыған соң болашақта пайдалану үшін сақтап қойыңыз.

- Құрылғыны осы нұсқаулықта баяндалғандай, оның тікелей мақсаты бойынша ғана пайдаланыңыз.
- Құрылғыны дұрыс қолданбау оның бұзылуына, және пайдаланушыға немесе оның мүлкіне зиян келтіруге әкелуі мүмкін және кепілдік жағдайы болып табылмайды.
- Заттаңбада көрсетілген құрылғының жұмыс кернеуі электр желісінің кернеуіне сәйкес екеніне көз жеткізіңіз.

**НАЗАР АУДАРЫҢЫЗ!** Блендер-қондырмасымен үздіксіз жұмыс істеу уақыты 60 секундтан аспауы тиіс, ұсақтағыш қондырмамен 30 секундтан, ал бұлғауыш қондырмамен 1 минуттан аспауы тиіс. Жұмыс циклдерінің арасында 3 минуттан кем емес үзіліс жасаңыз.

- Құрылғыны үй-жайдан тыс жерде пайдалануға тыйым салынады.
- Найзағай кезінде құрылғыны пайдалану ұсынылмайды.
- Құрылғыны соққыдан, құлаудан, дірілден және басқа да механикалық әсерлерден сақтаңыз.
- Желіге қосылған құрылғыны қараусыз қалдырмаңыз.

- Құрылғыны жылу көздерінің, жылыту аспаптарының немесе ашық оттың тікелей жанында пайдаланбаңыз.
- Құрылғыны аэрозольдар пайдаланылатын немесе шашырайтын жерлерде, сондай-ақ тез тұтанатын сұйықтықтарға жақын жерлерде пайдалануға тыйым салынады.
- Құрылғыны ас үй раковинасына жақын, жуынатын бөлмеде, бассейндер немесе басқа да су толтырылған сыйымдылықтарға жақын жерде пайдаланбаңыз.
- Егер құрылғы суға құлап кетсе, дереу қуаттандыру бауының ашасын электр розеткасынан сурыңыз, содан кейін ғана құрылғыны судан алып шығуға болады. Құрылғыны тексерту немесе жөндеу үшін сервис орталығына жүгініңіз.
- Қуаттандыру бауы ыстық беттерге және жиһаздың өткір жиектеріне тиюін болдырмаңыз.
- Құрылғыны пайдаланып болғаннан кейін немесе тазалау алдында электр желісінен сөндіріңіз. Құрылғыны электр желісінен ажыратқан кезде тек қуаттандыру бауының ашасынан ұстаңыз және оны электр розеткасынан абайлап шығарыңыз, қуаттандыру бауынан тартпаңыз — бұл оның зақымдануына әкелуі және қысқа тұйықталуын тудыруы мүмкін.
- Құрылғы корпусына, қуаттандыру бауына және қуаттандыру бауының ашасына сулы қолыңызбен тиіспеніз.



- Құрылғыны алғаш пайдалану алдында өнімдермен түйсетін, барлық шешілмелі қондырмалар мен сыйымдылықтарды жақсылап жуыңыз.
- Жеткізілім жиынтығына кіретін бөлшектерді ғана пайдаланыңыз.
- Құрылғының айналып жатқан бөлшектеріне тиіспеңіз. Блендер-қондырмасы пышағының немесе бұлғауышының айналатын аймағына шаштың немесе киімнің салбыраған элементтері түсуіне жол бермеңіз.
- Құрылғыны пайдалану алдында қондырмалардың дұрыс орнатылғанына және бекітілгендігіне көз жеткізіңіз.
- Ұсақтағыш сыйымдылығын тегіс және тұрақты бетке орналастырыңыз.
- Ұсақтағыш сыйымдылығына өнімдерді құрылғыны қосқанға дейін салыңыз, егер ұсақтағыш сыйымдылығы ішінде өнімдер болмаса, құрылғыны қосуға тыйым салынады.
- Ыстық өнімдерді ұсақтағыш сыйымдылығына салардан бұрын оларды салқындатыңыз.
- Ұсақтағыш сыйымдылығына салынған өнімдер мөлшері мен құйылған сұйықтықтың деңгейін бақылаңыз.
- Ұсақтағыш-пышақтың және қондырма-блендердің кескіш жиектері өткір және қауіп төндіреді, ұсақтағыш-пышақты және қондырма-блендерді абайлап ұстаңыз.
- Егер жұмыс кезінде пышақтардың айналуы тоқтаса, құрылғыны өшіріңіз, розеткадан қуаттандыру бауының ашасын суырыңыз, қақпақ-редукторды

шешіп алыңыз және ұсақтағыш-пышақтардың айналуына кедергі келтірген өнімді алып тастаңыз. Ұсақтағыш-пышақтың және қондырма-блендердің айналуы қиындаған кезде, ұсақтағыш сыйымдылығына немесе қондырма-блендер пайдаланылатын сыйымдылық ішіне су, шырын, қайнатпа және т. б. қосу ұсынылады.

- Мотор блогын электр желісінен ажыратқаннан кейін ғана, ұсақтағыш сыйымдылығынан мотор блогын шешіп алуға болады.
- Ұсақтағыш тостағаны мен өлшеуіш стақанды микротолқынды пешке салуға тыйым салынады.
- Қондырғылар мен сыйымдықтарды ыдыс жуу машинасына салмаңыз.
- Балалардың қауіпсіздігі үшін қаптама ретінде пайдаланылатын, полиэтилен пакеттерді қадағалаусыз қалдырмаңыз.

#### НАЗАР АУДАРЫҢЫЗ!

Балаларға полиэтилен пакеттерімен немесе қаптама үлдірімен ойнауға рұқсат етпеңіз. **Тұншығу қаупі бар!**

- Құрылғы балалардың пайдалануына арналмаған.
- Құрылғыны ойыншық ретінде пайдалануын болдырмау үшін, балаларды қадағалаңыз.
- Құрылғы жұмыс істеп тұрғанда балалар жұмыс бетіне, құрылғы корпусына, қуаттандыру бауына немесе қуаттандыру бауының ашасына тиісуіне рұқсат бермеңіз.

- Егер жұмыс істеп тұрған құрылғының маңында балалар немесе мүмкіндіктері шектеулі адамдар болса, онда ерекше назарда болыңыз.
- Жұмыс істеу уақытында және жұмыс циклдері арасындағы үзілістерде құрылғыны балалардың қолы жетпейтін жерде орналастырыңыз.
- Аспап дене, жүйке немесе сана мүмкіндіктері төмендетілген тұлғалардың (балаларды қоса) пайдалануына арналмаған, сондай-ақ егер олардың тәжірибесі немесе білімі болмаса, егер олар бақыланбаса немесе олардың қауіпсіздігі үшін жауап беретін тұлғамен аспапты пайдалану туралы нұсқаулықтар берілмесе.
- Қуаттандыру бауының бүтіндігін мезгілімен тексеріп отырыңыз.
- Қуаттандыру бауы зақымданғанда қауіп тудырмау үшін оны дайындаушы, сервистік қызмет немесе баламалы білікті маман ауыстыруы тиіс.
- Құрылғыны өздігіңізден жөндеуге тыйым салынады. Құрылғыны өз бетіңізбен бөлшектемеңіз, кез-келген ақаулықтар пайда болған кезде, сондай-ақ құрылғы құлағаннан кейін, оны электр желісінен ажыратыңыз және сервис орталығына жүгініңіз.
- Құрылғының зақымдануын болдырмау үшін зауыт қаптамасында тасымалдаңыз.
- Құрылғы салқын және құрғақ, балалардың және мүмкіндігі шектеулі адамдардың қолы жетпейтін жерде сақтаңыз.

**ҚҰРЫЛҒЫ ТЕК ТҰРМЫСТЫҚ ПАЙДАЛАНУҒА АРНАЛҒАН, ҚҰРЫЛҒЫНЫ КОМЕРЦИЯЛЫҚ НЕМЕСЕ**

**ЗЕРТХАНАЛЫҚ МАҚСАТТАРДА ПАЙДАЛАНУҒА ТЫЙЫМ САЛЫНАДЫ.**

#### АЛҒАШ РЕТ ПАЙДАЛУ АЛДЫНДА

**Құрылғыны кері температурада тасымалдағаннан немесе сақтағаннан кейін оны қаптамадан шығарыңыз және пайдаланудың алдында 3 сағаттан кем емес уақыт күтіңіз.**

- Құрылғыны қаптамадан шығарыңыз және барлық қаптама материалдарын жойыңыз.
- Зауыт қаптамасын сақтап қойыңыз.
- Қауіпсіздік шаралары мен пайдалану нұсқауларымен танысыңыз.
- Жинақталымын тексеріңіз.
- Құрылғыны зақымдануына қатысты тексеріп алыңыз, зақымдануы болған жағдайда оны желіге қоспаңыз.
- Құрылғының көрсетілген қуаттандыру кернеуі параметрлері электр желісінің параметрлеріне сәйкес келетініне көз жеткізіңіз.
- Құрылғыны пайдалану алдында бұлғауыш-қондырманы (7), ұсақтағыштың тостағанын (9), ұсақтағыш-пышақты (10), стақанды (11) бейтарап жуғыш заты бар жылы сумен жуыңыз және құрғатыңыз.
- Блендер-қондырамасының (1) төменгі бөлігін ғана жуыңыз, сыртқы бетін сәл дымыл матамен сүртіңіз. Қондырама-блендерді (1) суға немесе кез-келген басқа сұйықтықтарға салуға тыйым салынады.

- Моторлық блокты (2), ұсақтағыштың редуктор-қақпағын (8), бұлғауыш қондырмасының редукторын (6) сәл дымқыл, жұмсақ матамен сүртіп, содан кейін құрғатып сүртіңіз.

#### НАЗАР АУДАРЫҢЫЗ!

Қондырама-блендерді (1), моторлық блокты (2), редуктор-қақпақты (8), бұлғауыш қондырмасының редукторын (6), қуаттандыру бауын және қуаттандыру бауының ашасын суға немесе кез-келген басқа сұйықтықтарға батыруға тыйым салынады.

#### ҚОНДЫРАМА-БЛЕНДЕРДІ ПАЙДАЛАНУ

**Қондырма-блендермен (1) үздіксіз жұмыс істеу уақыты 60 секундтан аспауы тиіс. Жұмыс циклдерінің арасында кемінде 3 минут үзіліс жасаңыз.**

- Қондырма-блендерді (1) тұздықтар, майонез, жеміс пюресі, балалар қоспаларын дайындау үшін, әр түрлі ингредиенттерді араластыру үшін, жеткілікті мөлшерде шырыны бар жемістер мен көкөністерді өңдеу үшін пайдаланыңыз.

**Қондырма-блендерді (1) орнату алдында қуаттандыру бауының ашасы электр розеткасына салынбағанына көз жеткізіңіз.**

- Қондырма-блендерді (1) моторлық блокқа (2) салыңыз және оны сағат тіліне қарсы тірелгенге дейін бұраңыз, қондырманың сенімді бекітілгеніне көз жеткізіңіз (сур.1).

- Қуаттандыру бауының ашасын электр розеткасына салыңыз.
- Қондырма-блендерді (1) сіздің ұсақтағыңыз/араластырығыңыз келген өнім салынған сыйымдылыққа салыңыз, өнімдерді стақанға (11) салуға болады.

#### НАЗАР АУДАРЫҢЫЗ!

Өнімдерді өңдеу кезінде қондырма-блендері (1) бар моторлық блокты (2) тігінен ұстаңыз.

- Қосу үшін батырманы (4) басыңыз және ұстап тұрыңыз. Бұл жұмыс режимін сұйық өнімдерді араластыру үшін пайдаланыңыз.
- Батырманы (4) басқанда және ұстап тұрғанда, Сіз реттегішті (5) бұрап қондырманың айналу жылдамдығын реттей аласыз. Осы жұмыс режимін сұйық және қатты өнімдерді өңдеу үшін пайдаланыңыз.
- Максималды жылдамдық режимінде жұмыс істеу үшін батырмасын (3) «TURBO» басыңыз және ұстап тұрыңыз.
- **Ескертпе:**
  - өнімдер сыйымдылыққа құрылғы іске қосылғанға дейін салынады. Өндірілетін өнімдердің көлемі оларды өңдейтін сыйымдылық көлемінің 2/3 бөлігінен аспауы керек.
  - ұсақтау және араластыру алдында жемістерді қабығынан, сүйектер сияқты жеуге жарамсыз бөліктерден тазарту қажет, жемістерді 15×15×15 мм өлшемдегі текшелерге кесіп,

оларды сыйымдылыққа салып, содан кейін шырын немесе су қосу қажет, өнімдердің максималды көлемі 350 г және 250 мл су немесе шырыннан аспауы тиіс.

- мұздатылған өнімдерді ұсақтауға немесе араластыруға тыйым салынады.

#### НАЗАР АУДАРЫҢЫЗ!

Қатты көкөністерді ұсақтаған кезде, мысалы, сәбізді 15×15×15 мм ұсақ бөліктерге кесіңіз және оларды стақанға (11) салыңыз, бұл ретте сәбіз салмағы 250 г аспауы тиіс, және 350 мл су қосыңыз.

- Қондырма-блендердің (1) айналуын өшіру үшін батырмасын (3 немесе 4) босатыңыз.
- Құрылғыны пайдаланып болғаннан кейін желі бауының ашасын электр розеткасынан шығарыңыз және оны сағат тілі бағытына қарай бұрып, блендер-қондырмасын (1) ажыратыңыз.

#### • НАЗАР АУДАРЫҢЫЗ!

- Жұмыс кезінде қондырма-блендерді (1) шешіп алуға тыйым салынады.
- Қондырма-блендер (1) пышақтарының зақымдануын болдырмау үшін жарма, күріш, кофе дөңдері, ірімшіктің қатты сұрыптарын, мұздатылған өнімдерді және т. б. осы сияқты өте қатты өнімдерді өңдеуге тыйым салынады.

- Егер қондырма-блендермен (1) жұмыс кезінде өнімдерді ұсақтауда қиындықтар туындаса, судың, шырынның, қайнатпаның және т. б. аздаған мөлшерін қосу қажет.

#### ҰСАҚТАҒЫШТЫ ҚОЛДАНУ

**Ұсақтағыш қондырмамен үздіксіз жұмыс уақыты 30 секундтан аспауы керек. Жұмыс циклдарының арасында кемінде 3 минут үзіліс жасаңыз.**

- Қондырма етті, сырды, пиязды, шөптерді, сарымсақты, сәбізді, грек жаңғағын, қара өрікті, жемістер немесе көкөністерді ұсақтау үшін қолданылады.

#### НАЗАР АУДАРЫҢЫЗ!

Өте қатты өнімдерді, яғни жұпар жаңғағы, кофе дөңдері, дақылдар, сондай-ақ мұз және мұздатылған өнімдер сияқтыларды ұсақтауға тыйым салынады.

#### ҰСАҚТАУ АЛДЫНДА ӨНІМДЕРДІ ДАЙЫНДАУ:

- Еттің сүйектерін, сіңірлерін және шеміршектерін және майларын алып тастаңыз.
- Етті, сырды, пиязды, жемістерді және көкөністерді шамамен 60x20x20 мм кесектерге тураңыз. Еттің максималды салмағы 200 грамнан аспауға тиіс.
- Шөптердің сабағын алып тастаңыз, жаңғақтарды қабығынан тазартыңыз.

**ҰСАҚТАУ**

**Ұсақтағышты жинастыру алдында желі бауының ашасы электр розеткасына қосылмағандығына көз жеткізіңіз.**

- Ұнтақтағыш сыйымдылығын (9) тегіс және тұрақты бетке орнатыңыз.
- Ұсақтағыш-пышақты (10) сыйымдылық (9) ішіндегі білікке орнатыңыз.

**НАЗАР АУДАРЫҢЫЗ!**

ұсақтағыш-пышақтың (10) жүзі өте өткір!  
Ұсақтағыш-пышақты (10) әрқашан пластмассалы ілмегінен ұстаңыз.

- Өнімдерді сыйымдылыққа (9) салыңыз.
- **Ескертпе:** — сыйымдылығы (9) бос құрылғыны қосыпаңыз.
- Қақпақ-редукторды (8) сыйымдылыққа (9) орнатыңыз.
- Моторлық блокты (2) қақпақ-редуктордың (8) аузына орнатыңыз, моторлық блокты (2) сағат тілі бойынша тірелгенге дейін бұраңыз, моторлық блоктың (2) сенімді бекітілгеніне көз жеткізіңіз. Моторлық блокты (2) тік және қисайтпай орнатыңыз (сур. 2).
- Қуаттандыру бауының ашасын электр розеткасына салыңыз.
- Қосу үшін батырманы (4) басыңыз және ұстап тұрыңыз.

- Батырманы (4) басып ұстап тұрған кезде, Сіз реттегішті (5) бұрап ұсақтағыш-пышақтың (10) айналу жылдамдығын реттей аласыз.
- Максималды жылдамдық режимінде жұмыс істеу үшін батырмасын (3) «TURBO» басыңыз және ұстап тұрыңыз.
- Жұмыс істеу уақытында моторлық блокты (2) бір қолыңызбен, ал ұсақтағыш сыйымдылығын (9) басқа қолыңызбен ұстап тұрыңыз.
- Сөндіру үшін батырманы (3 немесе 4) босатыңыз.
- Құрылғыны пайдаланғаннан кейін ұсақтағыш-пышақтың (10) айналуы тоқтағанын күтіңіз.
- Желі бауының ашасын электр розеткасынан суырыңыз.
- Моторлық блокты (2) сағат тіліне қарсы бұрап, моторлық блокты (2) қақпақ–редуктордан (8) шешіп алыңыз.
- Қақпақ–редукторды (8) сыйымдылықтан (9) шешіп алыңыз.
- Абайлық сақтап, сыйымдылықтан (9) ұсақтағыш-пышақты (10) алып шығыңыз, ол үшін пластмасса ілмектен ұстаңыз.
- Ұсақталған өнімдерді сыйымдылықтан (9) шығарыңыз.

**БЫЛҒАУЫШ-ҚОНДЫРМАНЫ ПАЙДАЛАНУ**

**Бұлғауыш-қондырмамен (7) үздіксіз жұмыс істеу уақыты 1 минуттан аспауы тиіс. Жұмыс циклдерінің арасында 3 минуттан кем емес үзіліс жасаңыз.**

**НАЗАР АУДАРЫҢЫЗ!**

Бұлғауыш-қондырманы (7) қою қамырды илеу үшін пайдалануға тыйым салынады.

- Бұлғауыш-қондырмасын (7) тек крем, жұмыртқа ақуызын шайқауға, бисквит қамырын дайындауға немесе дайын десерттерді араластыруға ғана пайдаланыңыз.

**Бұлғауыш-қондырманы (7) орнату алдында қуаттандыру бауының ашасы электр розеткасына салынбағанына көз жеткізіңіз.**

- Бұлғауыш-қондырманы (7) бұлғауыш редукторына (6) салыңыз.
- Бұлғауыш қондырманы (6) моторлық блокқа (2) салыңыз және оны сағат тіліне қарсы бұраңыз, редуктор (6) мен бұлғауыштың (7) сенімді бекітілгеніне көз жеткізіңіз (сур. 3).
- Қуаттандыру бауының ашасын электр розеткасына салыңыз.
- Бұлғауыш-қондырманы (7) өнімдерді Сіз салған ыңғайлы сыйымдылыққа салыңыз. Сіз өнімдерді стақанға (11) сала аласыз.
- Қосу үшін батырманы (4) басыңыз және ұстап тұрыңыз.
- Батырмасын (4) басқанда және ұстап тұрғанда, Сіз
- бұлғауыш-қондырманың реттегішін (5) бұрап арқылы айналдыру жылдамдығын реттей аласыз.

- Максималды жылдамдық режимінде жұмыс істеу үшін батырмасын (3) «TURBO» басыңыз және ұстап тұрыңыз.
- Сөндіру үшін батырманы (3 немесе 4) босатыңыз.
- Құрылғыны пайдаланып болғаннан кейін қуаттандыру бауының ашасын электр розеткасынан шығарыңыз, бұлғауыш редукторын (6) сағат тілі бойынша бұрап, бұлғауыш редукторын (6) моторлық блоктан (2) ажыратыңыз.
- Бұлғауыш-қондырманы (7) редуктордан (6) шығарыңыз.

**ТАЗАЛАУ****НАЗАР АУДАРЫҢЫЗ!**

Ұсақтағыш пышақтың (10) жүздері өте өткір және қауіп төндіруі мүмкін. Ұсақтағыш-пышақты (10) қолданғанда өте абай болыңыз!

- Құрылғыны пайдаланғаннан кейін желі бауының ашасын электр розеткадан суырыңыз.
- Құрылғыны пайдалану алдында бұлғауыш-қондырманы (7), ұсақтағыш тостағанын (9), ұсақтағыш-пышақты (10), стақанды (11) бейтарап жуғыш заты бар жылы сумен жуыңыз және жақсылап құрғатыңыз.
- Блендер-қондырамасының (1) төменгі бөлігін ғана жуыңыз, сыртқы бетін сәл дымыл матамен сүртіңіз. Қондырама-блендерді (1) суға немесе кез-келген басқа сұйықтықтарға салуға тыйым салынады.

- Моторлық блокты (2), редуктор-қақпақты (8), бұлғауыш қондырмасының редукторын (6) жұмсақ, сәл дымқыл матамен сүртіңіз, содан кейін құрғатып сүртіңіз.
- Тұзды немесе қышқыл тағамдарды өңдегеннен кейін бірден қондырма-блендерді (1) немесе ұсақтағыш-пышақты (10) сумен шаю қажет.
- Күшті бояғыш қасиеттері бар азық-түлікті, мысалы, сәбізді немесе қызылшаны өңдеген кезде қондырмалар мен сыйымдылықтар боялуы мүмкін, қондырмалар мен сыйымдылықтарды өсімдік майына матырылған матамен сүртіңіз, содан кейін қондырмалар мен сыйымдылықтарды бейтарап жуғыш заты бар сумен жуыңыз және құрғатыңыз.
- Моторлық блокты (2) және редукторды (6), редуктор-қақпақты (8) кез келген сұйықтықтарға батыруға, сондай-ақ оларды ағын судың астында жууға немесе ыдыс жуатын машинаға салуға тыйым салынған.
- Моторлық блоктың корпусын (2) және алынбалы детальдарды тазалау үшін абразивтік тазалау құралдары мен еріткіштерді пайдалануға тыйым салынады.

### САҚТАУ

- Құрылғыны ұзақ уақыт сақтауға қояр алдында, құрылғы бөлшектерінің тазалауын жүргізіңіз.
- Қуаттандыру бауын мотор блогына (2) орауға тыйым салынады.

- Құрылғыны салқын және құрғақ, балалардың және мүмкіндігі шектеулі адамдардың қолы жетпейтін жерде сақтаңыз.

### ЖЕТКІЗІЛІМ ЖИЫНТЫҒЫ

1. Моторлық блок — 1 дн.
2. Қондырма-блендер — 1 дн.
3. Бұлғауыш редукторы — 1 дн.
4. Бұлғауыш-қондырма — 1 дн.
5. Редуктор-қақпақ — 1 дн.
6. Ұсақтағыш-пышақ — 1 дн.
7. Ұсақтағыш сыйымдылығы — 1 дн.
8. Стақан — 1 дн.
9. Нұсқаулық— 1 дн.

### ТЕХНИКАЛЫҚ СИПАТТАМАЛАРЫ

- Электр қуаттандыруы: 220-240 В, ~ 50-60 Гц
- Номиналды тұтыну қуаты: 800 Вт

### КӘДЕГЕ АСЫРУ



Қалдықтардың бақыланбай пайдаға асыруынан қоршаған ортаға немесе адамдардың денсаулығына зиян келтірмеу үшін құралдың немесе қуаттандыру элементтерінің (егер жиынтыққа кірсе) қызмет ету мерзімі аяқталғаннан кейін оларды өдеттегі тұрмыстық қалдықтармен бірге тастамаңыз, аспапты және қуаттандыру элементтерін одан әрі пайдаға асыру үшін арнайы орындарға жіберіңіз.

Бұйымдарды қайта өңдеу кезінде пайда болатын қалдықтар белгіленген тәртіп бойынша артынан қайта өңделетін міндетті жинауға тиесілі.

Берілген өнімді қайта өңдеу туралы қосымша ақпаратты алу үшін жергілікті муниципалитетке, тұрмыстық қалдықтарды қайта өңдеу қызметіне немесе өзіңіз осы өнімді сатып алған дүкенге хабарласыңыз.

Өндіруші алдын-ала ескертусіз, құралдың дизайнын, конструкциясы мен оның жалпы жұмыс ұстанымдарына әсер етпейтін техникалық сипаттамаларын өзгерту құқығын өзіне қалдырады.

**Құралдың қызмет ету мерзімі — 3 жыл**

**Дайындалған күні сериялық нөмірде көрсетілген.**

**Қандай да бір ақаулықтар табылған жағдайда дереу авторландырылған сервистік орталыққа жүгіну керек.**

Hergestellt für «Ruste GmbH»,  
Berggasse 18/18, 1090 Wien,  
Österreich

Produced for «Ruste GmbH»,  
Berggasse 18/18, 1090 Vienna, Austria

Изготовлено по заказу Русте Гмбх,  
Бергассе 18/18, 1090 Вена, Австрия

Уполномоченное изготовителем  
лицо: ООО «Грантэл»  
143912, МО, г. Балашиха,  
ш. Энтузиастов, вл. 1А  
т.: +7 (495) 297-50-20,  
e-mail: info@brayer.su

Made in China/Произведено в Китае

[brayer.su](http://brayer.su)

