

Instruction manual  
Инструкция по эксплуатации

Juicer BR1703  
Соковыжималка BR1703



## СОДЕРЖАНИЕ

EN.....	3
DE.....	12
RU.....	22
KZ.....	32

## AUGER JUICE EXTRACTOR BR1703

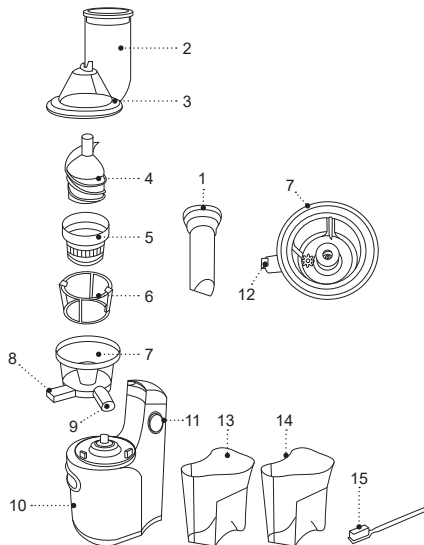
Use the auger juice extractor to make fresh juice from fruits or vegetables.

The auger juice extractors are also called «slow juicers», they press rather than crush fruits or vegetables like centrifugal ones, so with the auger juice extractors cold-pressed juice is obtained. This juice extraction technology makes cell structure, microelements, enzymes and vitamins surely preserved in juice.

### DESCRIPTION

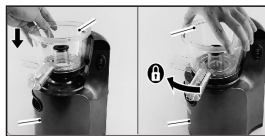
1. Plunger
2. Feeding Chute
3. Lid
4. Auger
5. Mesh Filter
6. Separator
7. Juice Bowl
8. Pulp Spout
9. Juice Spout
10. Motor Unit
11. «ON/OFF/R» Power Switch
12. Silicone Seal
13. Juice Container
14. Pulp Container
15. Cleaning Brush

14. Pulp Container
15. Cleaning Brush





Pic. 1



Pic. 2



Pic. 3



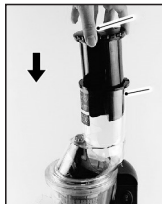
Pic. 4



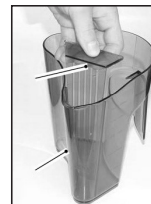
Pic. 5



Pic. 6



Pic. 7



Pic. 8

## SAFETY MEASURES AND OPERATION RECOMMENDATIONS

**Read the operation manual carefully before using the press Juicer; after reading, keep it for future reference.**

**ATTENTION!** Do not operate the Juicer for more than 1 minute at a time. Please wait a minimum of 1 minute before operating the Juicer again.

- Use the press Juicer for its intended purpose only, as specified in this manual.
- Mishandling the Juicer can lead to its breakage and cause harm to the user or damage to the user's property, which is not covered by warranty.
- Make sure that the operating voltage of the unit indicated on the label corresponds to your home mains voltage.
- Do not connect the unit to external timers or remotely controlled mains sockets.
- Install and use the press Juicer on a flat, dry, steady surface with free access to the mains socket.
- Do not use the unit outdoors.
- It is recommended not to use the unit during lightning storms.
- Protect the Juicer from impacts, falling, vibrations and other mechanical stress.
- Never leave the unit connected to the mains unattended.
- Do not use the unit near heating appliances, heat sources or open flame.
- Do not use the Juicer in places where aerosols are used or sprayed, and in proximity to inflammable liquids.
- Do not use the Juicer in proximity to the kitchen sink, in bathrooms, near swimming pools or other containers filled with water.
- If the Juicer is dropped into water, unplug it immediately, and only then you can take the unit out of water. Contact a service center to check or repair the unit.
- Do not let the power cord touch hot surfaces and sharp edges of furniture.
- Use only the removable parts supplied with the press Juicer.
- Always check the Mesh Filter for damages. Should you discover physical damage, do not use the Juicer until you have replaced the Mesh Filter.
- Do not use your fingers or any utensil other than the included plunger while inserting fruits and vegetables into the feeding chute.
- Do not disassemble the Juicer if the device is plugged into the mains.
- Unplug the unit after usage or before cleaning. When unplugging the Juicer, hold the power plug and carefully remove it from the mains socket, do not pull the power cord, as this can lead to its damage and cause a short circuit.

- Do not touch the unit body, the power cord and the power plug with wet hands.
- For child safety reasons do not leave polyethylene bags used as packaging unattended.

**ATTENTION!** Do not allow children to play with polyethylene bags or packaging film. **Danger of suffocation!**

- The unit is not intended for usage by children.
- Do not leave children unattended to prevent using the unit as a toy.
- Do not allow children to touch the operating surface, the unit body, the power cord or the power plug during operation of the unit.
- Be especially careful if children or disabled persons are near the operating unit.
- During the unit operation and breaks between operation cycles, place the unit out of reach of children.
- The unit is not intended for usage by physically or mentally disabled persons (including children) or by persons lacking experience or knowledge if they are not under supervision of a person who is responsible for their safety or if they are not instructed by this person on the usage of the unit.
- From time to time check the power cord integrity.
- If the power cord is damaged, it should be replaced by the manufacturer, a maintenance service or similar qualified personnel to avoid danger.

- Do not repair the unit by yourself. Do not disassemble the unit by yourself, if any malfunction is detected, and after the unit was dropped, unplug it and apply to the authorized service center.
- To avoid damages, transport the unit in the original package.
- Keep the unit in a dry cool place out of reach of children and disabled persons.

**THE UNIT IS INTENDED FOR HOUSEHOLD USE ONLY, DO NOT USE THE UNIT FOR COMMERCIAL OR LABORATORY PURPOSES.**

## **BEFORE THE FIRST USE**

**After unit transportation or storage at negative temperature, unpack it and wait for 3 hours before using.**

- Unpack the unit and remove all the packaging materials.
- Keep the original package.
- Read the safety measures and operating recommendations.
- Check the delivery set.
- Examine the unit for damages, in case of damage do not plug it into the mains.
- Make sure that specified specifications of power supply voltage of the unit correspond to the specifications of your mains. When the unit is used in the mains with 60 Hz frequency, it does not need any additional settings.

- Disassemble the Juicer and wash the parts that come into contact with fruit and vegetables when the Juicer is in use.
- Remove the pusher (1) from the feeding chute (2).
- Rotate the Feeding Chute/Lid (2-3) counter-clockwise and remove it.
- Remove the Auger (4), Mesh Filter (5), and Separator (6) from the Juice Bowl (7).
- Rotate the Juice Bowl (7) counter-clockwise and remove it from the Motor Unit (8).
- Wash the removed parts (2-3, 4, 5, 6, 7), the juice cup (13), the pulp container (14) and the cleaning brush (15) with warm water and a neutral detergent, then rinse and dry.
- Wipe the motor unit (10) with a slightly damp cloth, then dry.

### JUICE EXTRACTOR ASSEMBLING

- Place the juice extractor on an even, dry and stable surface so that an electrical outlet is always easily accessible.
- Before assembling the Juicer, make sure that the Silicone Seal (12) inside the Juice Bowl (7) has been properly reinstalled (fig. 1).

**Note:** the Silicone Seal (12) must be firmly fixated in its place, otherwise juice may leak from the Juice Bowl (7) during usage and cause damages to the Juicer.

- Place the Juice Bowl (7) onto the Motor Unit (10) and rotate it in the clockwise direction all the way in (fig. 2).

- Insert the Mesh Filter (5) into the Separator (6) (fig. 3).
- Align the «●» red mark on the Mesh Filter with the «●» red mark on the body of the Juice Bowl (7) and install the Mesh Filter (5) into the Juice Bowl (7). Make sure that the Mesh Filter (5) has been installed properly and secured in place (fig. 4).
- Install the Auger (4) into the Mesh Filter (5); the Auger (4) should secure itself on the driving shaft (fig. 5).
- Install the Feeding Chute/Lid (2-3) onto the Juice Bowl (7), align the «●» red mark on the Feeding Chute/Lid (2-3) with the «●» red mark on the body of the Juice Bowl (7), and rotate the Feeding Chute/Lid (2-3) in the clockwise direction all the way in (fig. 6). Make sure that the Feeding Chute/Lid (2-3) has been properly secured.
- Insert the pusher (1) into the feeding chute (2) (pic. 7).
- Place the Juice Container (13) under the Juice Spout (9), place the Pulp Container (14) under the Pulp Spout (8).
- The juice extractor is ready for use.

### TIPS

- The Juicer is not intended for extracting juice from fruits, containing high levels of pectin or starch, such as bananas, papayas, figs, avocados, and etc., bananas contain little to no juice, only add them for the scent.
- Fruit with softer seeds, such as apples, grapes, oranges, and so on, can be juiced without removing the seeds, however, adjust the amount of fruit being

fed accordingly, to avoid over-loading the Juicer, and make sure that the Juicer can extrude the pulp fast enough, as it will contain the seeds.

- The Juicer is not intended to process too hard high-fiber foods, such as, coconuts, quinces, rheum, and etc.
- Use other types of kitchen appliances to process those kinds of food.
- Only use ripe fruit and fresh vegetables, as they contain most juice.
- Various fruits (apples, grapes, pineapples, and etc.) and vegetables (carrots, beetroot, celery stalks, spinach, cucumbers, tomatoes, and etc.).
- Wash and dry fruit and vegetables thoroughly before extracting juice from them.
- Berries are quick to lose their freshness, wash them immediately before juicing.
- Removing only the thicker skins of such ingredients as, for example, pineapples. Removing the thinner ones is not necessary.
- Choose the apple cultivar according to your needs; remember that the richness of the juice will depend on the cultivar.
- Apple juice quickly darkens, to slower this process add a few drops of lemon juice.
- Drink juice immediately following its extraction; if left in open air, it will lose its taste and nutritional value.
- If you are planning to store the juice, pour it into an airtight container and keep in a refrigerator.
- Do not store the juice in metal containers – it can acquire metal taste.

## MAKING JUICE

### ATTENTION!

- Do not operate the Juicer for more than 1 minute at a time. Please wait a minimum of 1 minute before operating the Juicer again.
- Always check the Mesh Filter (5) for damages before assembling the Juicer.
- Do not use the Juicer if the grate Mesh Filter (5) is damaged.
- Prepare fruit or vegetables, wash them thoroughly, remove the inedible parts from of the fruit, such as peduncles, remove the hard skin from pineapples and the seeds from cherries, pit the peach, cut the fruit or vegetables into pieces that would easily fit through the Feeding Chute (2).
- Make sure the juice extractor is correctly assembled, see the paragraph «juice extractor assembling».
- Open the lid of the juice spout (9).
- Connect the power plug to an electrical outlet.
- Switch the juice extractor on by setting the switch (11) to the «ON» position.
- Put fruits or vegetables into the feeding chute (2) only while the auger (4) is rotating and slightly press them with the pusher (1).
- Only put fruit and vegetables into the feeding chute (1), when the grate auger (4) is rotating, while lightly pushing them through with the plunger (1). Avoid applying excessive force when pushing the plunger (1).



- Do not use your fingers or any utensil other than the included plunger (1) while inserting fruits and vegetables into the feeding chute (2).
- Regularly check the Mesh Filter (5) for clogging with pulp, if necessary switch the juice extractor off by setting the power switch (11) to the «OFF» position, and disconnect the power plug from the electrical outlet.

**Notes:**

- use the «R» function of rotating the Auger (4) in the reverse direction before disassembling the Juicer, for which purpose set the Power Switch (11) to «R» and hold it down for 1-2 seconds. Doing so should ease the removal of the Auger;
- turn off the Juicer before using the reverse function of rotating the Auger (4) in the reverse direction, for which purpose set the Power Switch (11) to «OFF», wait for the Auger (4) to stop rotating completely, after which set the Power Switch (11) to «R».
- Rotate the Feeding Chute/Lid (2-3) counter-clockwise to remove it, extract the Auger (4), remove the Mesh Filter (5) and the Separator (6), wash the removed parts (2-3, 4, 5, 6), rinse them, and reinstall back in the reverse order (see the Juicer Assembly section), plug the appliance into the mains, and turn on the Juicer to be able to continue using it.

**Notes:**

- for best results, having extracted the Silicone Seal (12), remove and wash the Juice Bowl (8) and the pulp canal as well;

- before installing the Juice Bowl (7), make sure that the Silicone Seal (12) has been reinstalled (fig. 1).
- If you want to juice another fruit or vegetable without mixing the juice with the previous fruit or vegetable, close the Juice Spout (9), pour 1 or 2 glasses of water into the Feeding Chute, turn on the Juicer and leave it on for a while, open the cover of the juice spout - the liquid will be purged into the container, leaving the Juice Bowl with less remnants of the previous fruit or vegetable. Repeat the preliminary washing procedure, if necessary.
- To mix different juices while the juice extractor is running you can close the juice spout (9) lid and continue pressing juice from another fruit or vegetable, then open the spout (9) lid and pour the juice into the cup (13).
- Close the spout (9) lid when pouring the juice from the cup (13) or when the juice extractor operation is finished.
- If the auger (4) slows down during the juice extractor operation, immediately switch the juice extractor off by setting the power switch (11) to the «OFF» position, after the auger (4) stops rotating, move the power switch (11) to the «R» position and hold it, the auger (4) reverse rotation function will be activated. Let go of the Power Switch (11) after a few seconds, unplug the device from the mains, rotate the Feeding Chute/Lid (2-3) counter-clockwise, remove it, and attend to the cause of slowing down the rotation of

the Auger (4). Having dealt with it, reinstall the Feeding Chute/Lid (2-3) to continue using the Juicer.

- Once the juice container (13) has filled up, turn the Juicer off and pour the juice into a suitable container, place the juice container (13) under the juice spout (9).

**Note:** slowly pour juice out of the Juice Container (13) - the froth separator will remove any foam.

- Remove the froth separator, wash the Juice Container (13), reinstall the froth separator (fig. 8).

**Note:** for your convenience, place an appropriately-sized bag into the pulp container (14) to remove the pulp together with the bag.

- Keep the juice container (14) full, turn off the juicer and remove the juice from the container (14).
- Once you finish using the Juicer, turn it off by setting the power (11) to «OFF», and unplug it from the mains.

### OVERHEATING PROTECTION

- Exceeding the operating temperature will trigger the overheating protection and the Juicer will turn off.
- Should the Juicer turn off on its own, set the power (11) to «OFF» and unplug it from the mains.
- Depending on the room temperature, the electric motor can take from 20 to 50 minutes to cool down, once it has cooled down, plug it into the mains and turn the Juicer on.
- Should the Juicer fail to turn on, wait for some time, if nothing changes this might indicate another defect. In this case, please, contact an authorized service center.

- Do not exceed the recommended operation time.

### CLEANING AND CARE

- Perform cleaning of the Juicer after each use.
- Turn off the Juicer and unplug it from the mains before cleaning.
- Remove the pusher (1) from the feeding chute (2).
- Turn the feeding chute/lid (2-3) counterclockwise and remove them.
- Remove the Auger (4), Mesh Filter (5), and Separator (6) from the Juice Bowl (7).
- Rotate the Juice Bowl (7) in the counter-clockwise direction and remove it from the Motor Unit (10).
- Wash the removed parts (2-3, 4, 5, 6, 7), the juice cup (13), the pulp container (14) with warm water and a neutral detergent, then rinse and dry.
- For your convenience, remove the froth separator from the Juice Container (13), wash the Juice Container (13), and reinstall the froth separator back (fig. 8).
- Extract the Silicone Seal (12), located inside the Juice Bowl (7), clean and wash the pulp canal.
- Reinstall the Silicone Seal (12) back inside the Juice Bowl (7) (fig. 1).
- Use the brush (15) to clean the Mesh Filter (5) and other hard-to-reach places.
- Do not wash the removable parts of the Juicer in a dishwasher.

- Clean the motor unit (10) with a slightly damp tissue, then wipe it dry.
- Do not use metal scouring pads, abrasives, or solvents for cleaning the Juicer.
- Fruits and vegetables with painting properties, blackberries, carrots, or beetroot, for example, can color certain parts of the Juicer. If this happens you can try clearing the paint with a dry tissue soaked in vegetable oil, followed by washing the parts with warm water and a neutral detergent, rinsing, and drying them.

### STORAGE

- Perform a cleaning of the Juicer before taking it away for storage.
- Keep the Juicer in a dry cool place unreachable by children or people with disabilities.

### DELIVERY SET

- Juicer – 1pc.
- Instruction Manual – 1pc.

### TECHNICAL SPECIFICATIONS

- Power supply: 220-240 V, ~ 50-60 Hz
- Rated input power: 150 W
- Inlet opening diameter – 75 mm
- Juice container volume – 1 l
- Pulp container volume – 1 l
- Troubleshooting

### RECYCLING



To prevent possible damage to the environment or harm to the health of people by uncontrolled waste disposal, after service life expiration of the unit or the batteries (if included), do not discard them with usual household waste, deliver the unit and the batteries to specialized centers for further recycling.

The waste generated during the disposal of the unit is subject to mandatory collection and consequent disposal in the prescribed manner.

For further information about recycling of this product apply to a local municipal administration, a disposal service or to the shop where you purchased this product.

The manufacturer reserves the right to change the appearance, design and specifications not affecting general operation principles of the unit, without prior notice.

**The unit operating life is 3 years**

**The manufacturing date is specified in the serial number.**

**In case of any malfunctions promptly apply to the authorized service center.**

## SCHNECKENENTSAFTER BR1703

Verwenden Sie den Schneckenentsafter, um frischen Saft aus Obst oder Gemüse zu machen.

Die Schneckenentsafter werden auch «langsame Entsafter» genannt, sie pressen Obst oder Gemüse, anstatt sie zu zerkleinern wie bei Zentrifugalentsaftern, sodass mit den Schneckenentsaftern kaltgepresster Saft gewonnen wird. Mit solcher Entsaftungstechnologie werden Zellstruktur, Spurenelemente, Enzyme und Vitamine im Saft garantiert erhalten.

### BESCHREIBUNG

1. Stampfer
2. Einfüllstutzen
3. Deckel
4. Schnecke
5. Siebfilter
6. Trennzeichen
7. Arbeitsschale
8. Kuchenauslauf
9. Saftauslauf
10. Motoreinheit
11. «ON/OFF/R»-Netzschalter
12. Silikondichtung

13. Saftbehälter
14. Behälter zum Auspressen
15. Reinigungsbürste

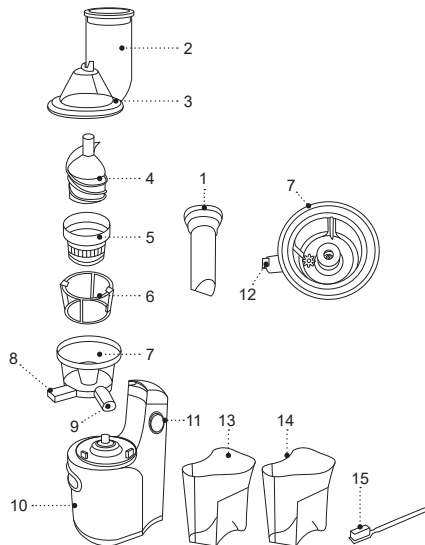




Abb. 1

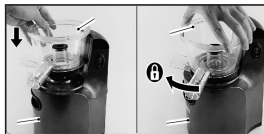


Abb. 2

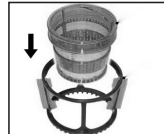


Abb. 3



Abb. 4



Abb. 5



Abb. 6

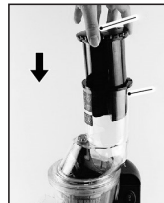


Abb. 7

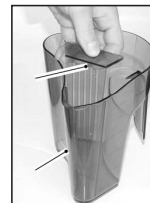


Abb. 8

## SICHERHEITSHINWEISE UND GEBRAUCHSANLEITUNG

**Bevor Sie den Entsafter benutzen, lesen Sie die Bedienungsanleitung aufmerksam durch und bewahren Sie sie zum späteren Gebrauch auf.**

**ACHTUNG!** Die maximal zulässige Dauer eines ununterbrochenen Entsafterbetriebszyklus beträgt nicht mehr als 1 Minute mit einer nachfolgenden Pause von mindestens 1 Minute.

- Benutzen Sie den Entsafter nur bestimmungsmäßig und laut dieser Bedienungsanleitung.
- Der Missbrauch des Geräts kann zu seiner Störung führen, den Benutzer oder sein Eigentum beschädigen und ist kein Garantiefall.
- Vergewissern Sie sich, dass die auf dem Bezeichnungszettel angegebene Betriebsspannung und die Netzspannung übereinstimmen.
- Schließen Sie das Gerät an keine externen Timer oder elektrischen Steckdosen mit Fernbedienung an.
- Stellen und benutzen Sie den Entsafter auf einer ebenen, trockenen, standfesten und Oberfläche mit immer freiem Zugang zur Steckdose auf.
- Es ist nicht gestattet, das Gerät draußen zu benutzen.
- Es ist nicht empfohlen, das Gerät bei Gewitter zu benutzen.
- Schützen Sie den Entsafter vor Stößen, Stürzen, Vibrationen und anderen mechanischen Einwirkungen.
- Lassen Sie das ans Stromnetz angeschlossene Gerät nie unbeaufsichtigt.
- Benutzen Sie das Gerät in direkter Nähe von Heizgeräten, Wärmequellen oder offenem Feuer nicht.
- Es ist verboten, den Entsafter an den Orten, wo Sprays verwendet werden, sowie in der Nähe von leichtentzündbaren Flüssigkeiten, zu benutzen.
- Benutzen Sie den Entsafter in der Nähe von Spülbecken, in Badezimmern und neben den Wasserbecken oder anderen mit Wasser gefüllten Behältern nicht.
- Falls der Entsafter ins Wasser gefallen ist, ziehen Sie den Netzstecker aus der Steckdose sofort heraus, erst danach holen Sie das Gerät aus dem Wasser heraus. Wenden Sie sich an einen autorisierten Kundendienst, um das Gerät prüfen oder reparieren zu lassen.
- Achten Sie darauf, dass das Netzkabel heiße Oberflächen und scharfe Möbelkanten nicht berührt.
- Benutzen Sie nur die mitgelieferten abnehmbaren Entsafterteile.
- Überprüfen Sie den Siebfilter immer auf mechanische Beschädigungen. Wenn Sie mechanische Beschädigungen feststellen, verwenden Sie den Entsafter nicht, bis Sie den Siebfilter ersetzt haben.
- Während des Betriebs verwenden Sie nur den mitgelieferten Stampfer, schieben Sie Obst oder Gemüse mit Ihren Fingern oder anderen Gegenständen ins Füllrohr nicht durch.

- Nehmen Sie den Entsafter nicht auseinander, wenn der Netzstecker an eine Steckdose angeschlossen ist.
- Trennen Sie das Gerät nach dem Gebrauch oder vor der Reinigung vom Stromnetz unbedingt ab. Wenn Sie den Entsafter vom Stromnetz abtrennen, halten Sie den Netzstecker fest und ziehen Sie ihn aus der Steckdose vorsichtig heraus; ziehen Sie das Netzkabel nicht, da es zu seiner Beschädigung und einem Kurzschluss führen kann.
- Berühren Sie das Gerätegehäuse, das Netzkabel und den Netzstecker mit nassen Händen nicht.
- Aus Kindersicherheitsgründen lassen Sie Plastiktüten, die als Verpackung verwendet werden, nie ohne Aufsicht.
- Dieses Gerät ist für Personen (darunter Kinder) mit Körper-, Nerven- und Geistesstörungen oder Personen ohne ausreichende Erfahrung und Kenntnisse nicht geeignet, wenn sie sich unter Aufsicht der Person, die für ihre Sicherheit verantwortlich ist, nicht befinden oder entsprechende Anweisungen über die Nutzung des Geräts nicht bekommen haben.
- Prüfen Sie die Unversehrtheit des Netzkabels von Zeit zu Zeit.
- Wenn das Netzkabel beschädigt ist, soll es vom Hersteller, vom Kundendienst oder von ähnlich qualifiziertem Personal ersetzt werden, um Gefahren zu vermeiden.

**ACHTUNG!** Lassen Sie Kinder mit Plastiktüten oder Verpackungsfolien nicht spielen. **Erstickungsgefahr!**

- Das Gerät ist nicht für Kinder bestimmt.
- Beaufsichtigen Sie Kinder, damit sie das Gerät als Spielzeug nicht benutzen.
- Lassen Sie Kinder die Arbeitsfläche, das Gerätegehäuse, das Netzkabel oder den Netzstecker während des Gerätebetriebs nicht berühren.
- Besondere Vorsichtsmaßnahmen sind in den Fällen angesagt, wenn sich Kinder oder behinderte Personen während des Gerätebetriebs in der Nähe aufhalten.
- Während des Betriebs und der Pausen zwischen den Betriebszyklen stellen Sie das Gerät an einen für Kinder unzugänglichen Ort auf.
- Es ist nicht gestattet, das Gerät selbständig zu reparieren. Es ist nicht gestattet, das Gerät selbständig auseinanderzunehmen; bei der Feststellung jeglicher Beschädigungen, sowie im Sturzfall, trennen Sie es vom Stromnetz ab und wenden Sie sich an einen Kundendienst.
- Um Beschädigungen zu vermeiden, transportieren Sie das Gerät nur in der Fabrikverpackung.
- Bewahren Sie das Gerät an einem trockenen, kühlen und für Kinder und behinderte Personen unzugänglichen Ort auf.

**DAS GERÄT IST NUR FÜR DEN GEBRAUCH IM HAUSHALT GEEIGNET, ES IST VERBOTEN, DAS GERÄT ZU GESCHÄFTS- ODER LABORZWECKEN ZU BENUTZEN.**

## VOR DER ERSTEN NUTZUNG

**Packen Sie das Gerät aus und warten Sie 3 Stunden, bevor Sie es bei einer negativen Temperatur transportieren oder bewahren.**

- Packen Sie das Gerät aus und entfernen Sie alle Verpackungsmaterialien.
- Bewahren Sie die Originalverpackung auf.
- Lesen Sie die Sicherheitsmaßnahmen und Bedienungsempfehlungen durch.
- Prüfen Sie die Komplettheit.
- Prüfen Sie das Gerät auf Beschädigungen; wenn es beschädigt ist, schließen Sie es ans Stromnetz nicht an.
- Vergewissern Sie sich, dass die angegebenen Parameter der Geräteversorgungsspannung und die Stromnetzparameter übereinstimmen. Beim 60-Hz-Stromnetz-Gerätebetrieb sind keine zusätzlichen Maßnahmen erforderlich.
- Nehmen Sie den Entsafter auseinander und reinigen Sie die während des Entsafterbetriebs mit Obst oder Gemüse zu kontaktierenden Teile.
- Nehmen Sie den Stampfer (1) aus dem Füllrohr (2) heraus.
- Drehen Sie den Einfüllstutzen/Deckel (2-3) gegen den Uhrzeigersinn und nehmen Sie ihn ab.
- Entfernen Sie die Schnecke (4), den Siebfilter (5) und den Trennzeichen (6) aus der Arbeitsschale (7).
- Drehen Sie die Arbeitsschale (7) gegen den Uhrzeigersinn und nehmen sie von der Motoreinheit (8) ab.

- Waschen Sie die ausgebauten Teile (2-3, 4, 5, 6, 7), den Saftbehälter (13), den Tresterbehälter (14) und die Reinigungsbürste (15) mit Warmwasser und einem neutralen Reinigungsmittel, spülen und trocknen Sie diese ab.
- Wischen Sie die Motoreinheit (10) mit einem weichen, leicht angefeuchteten Tuch, dann trocknen Sie sie ab.

## ZUSAMMENBAU DES ENTSAFTERS

- Stellen Sie den Entsafter auf eine ebene, trockene und standfeste Oberfläche mit einer immer leicht zugänglichen Steckdose auf.
- Vergewissern Sie sich vor dem Zusammenbau des Entsafters, dass die Silikondichtung (12) im Inneren der Arbeitsschale (7) an ihrem Platz sitzt (Abb. 1).

**Anmerkung:** die Silikondichtung (12) muss fest in den Aufstellort passen, sonst kann der Saft während des Betriebs aus der Arbeitsschale (7) austreten und die Entsafter beschädigen.

- Stellen Sie die Arbeitsschale (7) auf die Motoreinheit (10) und drehen Sie sie im Uhrzeigersinn bis zum Anschlag (Abb. 2).
- Setzen Sie den Siebfilter (5) in den Trennzeichen (6) ein (Abb. 3).
- Richten Sie die rote Markierung «●» am Siebfilter mit der roten Markierung «●» am Gehäuse der Arbeitsschale (7) aus und setzen Sie den Siebfilter (5) in die Arbeitsschale (7) ein, stellen Sie sicher, dass der Siebfilter (5) richtig sitzt und einrastet (Abb. 4).



- Setzen Sie die Schnecke (4) in den Siebfilter (5) ein, die Schnecke (4) muss an der Antriebswelle einrasten (Abb. 5).
- Legen Sie den Einfüllstutzen/Deckel (2-3) auf die Arbeitsschale (7), richten Sie die rote Markierung «●» am Einfüllstutzen/Deckel (2-3) mit der roten Markierung «●» am Arbeitsschalegehäuse (7) aus und drehen Sie den Einfüllstutzen/Deckel (2-3) im Uhrzeigersinn bis zum Anschlag (Abb. 6). Stellen Sie sicher, dass der Einfüllstutzen/Deckel (2-3) sicher befestigt ist.
- Setzen Sie den Stampfer (1) ins Füllrohr (2) ein (Abb. 7).
- Stellen Sie den Saftbehälter (13) unter den Saftauslauf (9) ein, stellen Sie den Behälter zum Auspressen (14) unter den Kuchenauslauf (8) ein.
- Der Entsafter ist betriebsbereit.
- Der Entsafter ist nicht zum Bearbeiten von sehr harten und faserigen Nahrungsmitteln wie Kokosnüsse, Quitten, Rhabarber usw. bestimmt.
- Um solches Obst oder Gemüse zu bearbeiten, verwenden Sie andere Küchengeräte.
- Verwenden Sie nur reifes Obst und frisches Gemüse, da sie mehr Saft enthalten.
- Für Saft können verschiedene Früchte (Äpfel, Weintrauben, Ananas usw.) oder Gemüse (Karotten, Rüben, Selleriestangen, Spinat, Gurken, Tomaten usw.) verwendet werden.
- Spülen Sie Obst oder Gemüse gründlich vor dem Entsaften und trocknen Sie diese ab.
- Beeren verlieren schnell ihre Frische, so spülen Sie sie kurz vor dem Entsaften ab.
- Dünnschaliges Obst oder Gemüse müssen nicht unbedingt geschält werden, sondern nur dickschalig wie Ananas.

## NUTZHINWEISE

- Der Entsafter ist nicht zum Entsaften von Früchten mit einem hohen Pektin- oder Stärkegehalt, wie Bananen, Papaya, Feigen, Avocados usw. bestimmt; Bananen sind fast saftlos, fügen Sie sie nur zum Aromatisieren hinzu.
- Früchte mit kleineren und weicheren Knochen wie Äpfel, Trauben, Orangen usw. können mit den Knochen gepresst werden, es wird jedoch empfohlen, die Fruchtzufuhr zu regulieren, um eine Überlastung des Entsafters zu vermeiden, und stellen Sie sicher, dass der Entsafter Zeit hat, die Pressen wegzuerwerfen, da die Knochen zusammen mit den Pressen herauskommen.
- Wählen Sie Äpfel nach Ihren Bedürfnissen, berücksichtigen Sie, dass die Saftsättigung von der Apfelsorte abhängt.
- Apfelsaft dunkelt schnell, fügen Sie ein paar Tropfen Zitronensaft hinzu, um das Dunkeln zu verlangsamen.
- Trinken Sie den Saft sofort nach dem Entsaften, bei längerer Aufbewahrung an der Luft verliert der Saft seinen Geschmack und Nährwert.
- Wenn Sie den Saft aufbewahren möchten, gießen Sie ihn in einen sauberen Behälter mit luftdichtem Deckel über und bewahren Sie ihn im Kühlschrank auf.

- Es ist nicht empfohlen, den Saft in einem Metallbehälter aufzubewahren, da der Saft einen angemessenen Nachgeschmack bekommen kann.

## ENTSAFTEN

### ACHTUNG

- Die maximal zulässige Dauer eines ununterbrochenen Entsafterbetriebszyklus beträgt nicht mehr als 1 Minute mit einer nachfolgenden Pause von mindestens 1 Minute.
- Prüfen Sie vor dem Zusammenbau des Entsafters immer den Siebfilter (5) auf mechanische Beschädigungen.
- Verwenden Sie den Entsafter nicht, wenn das Siebfilter (5) mechanisch beschädigt ist.
- Bereiten Sie Obst oder Gemüse vor, spülen Sie sie gründlich ab, entfernen Sie ungenießbare Teile der Früchte wie Stiele, schneiden Sie eine harte Schale von der Ananas ab, entfernen Sie Kirsch- oder Pfirsichkernen, schneiden Sie Obst oder Gemüse in Stücke, die leicht in den Einfüllstutzen passen (2).
- Vergewissern Sie sich, dass der Entsafter richtig zusammengebaut ist, siehe den Abschnitt «Zusammenbau des Entsafters».
- Öffnen Sie den Deckel des Saftauslaufs (9).
- Stecken Sie den Netzstecker in eine Steckdose ein.
- Schalten Sie den Entsafter ein, indem Sie den Schalter (11) auf «ON» stellen.

- Legen Sie Obst oder Gemüse ins Füllrohr (2) nur bei drehender Schnecke (4) ein und drücken Sie darauf leicht mit dem Stampfer (1).
- Legen Sie Obst oder Gemüse ins Füllrohr (2) nur bei drehendem Schnecke (4) ein und drücken Sie darauf leicht mit dem Stampfer (1). Es ist nicht empfohlen, auf den Stampfer (1) stark zu drücken.
- Während des Betriebs verwenden Sie nur den mitgelieferten Stampfer (1), schieben Sie Obst oder Gemüse mit Ihren Fingern oder anderen Gegenständen ins Füllrohr (2) nicht durch.
- Prüfen Sie das Filterelement (2) regelmäßig auf Verstopfung mit Trester, schalten Sie den Entsafter gegebenenfalls aus, indem Sie den Netzschalter (11) auf «OFF» stellen, und ziehen Sie den Netzstecker aus der Steckdose heraus.

### Anmerkungen:

- es wird empfohlen, vor dem Ausbau des Entsafters die Funktion «R» Umkehren der Schnecke (4) zu aktivieren, indem stellen Sie den Netzschalter (11) in die Position «R» und halten ihn 1-2 Sekunden lang, um das Entfernen der Schnecke zu erleichtern;
- bevor Sie die Funktion «R» «rückwärts» der Schnecke (4) einschalten, muss der Entsafter ausgeschaltet werden, indem Sie den Netzschalter (11) in die Position «OFF» stellen, warten, bis die Drehung der Schnecke (4) vollständig gestoppt ist und stellen den Netzschalter (11) danach in die Position «R».
- Drehen Sie den Einfüllstutzen/Deckel (2-3) entgegen dem Uhrzeigersinn und nehmen ihn ab, nehmen Sie

die Schnecke (4) heraus, nehmen Sie den Siebfiller (5) mit dem Trennzeichen (6) heraus, spülen Sie die ausgebauten Teile (2-3, 4, 5, 6) ab, spülen Sie sie und setzen Sie in umgekehrter Reihenfolge wieder ein (siehe «Zusammenbau des Entsafters»), stecken Sie den Netzstecker in eine Steckdose und schalten Sie den Entsafter ein, um den Betrieb fortzusetzen.

#### Anmerkungen:

- es wird auch empfohlen, die Arbeitsschale (8) und den Austrittskanal durch Herausnehmen der Silikondichtung (12) zu entfernen und zu spülen;
- Stellen Sie vor dem Einbau des Arbeitsbehälters (7) sicher, dass die Silikondichtung (12) angebracht ist (Abb. 1).
- Wenn Sie den Saft aus einem anderen Obst oder Gemüse auspressen möchten, ohne den Saft mit dem vorherigen Obst oder Gemüse zu vermischen, schließen Sie den Deckel des Saftauslaufs (9), gießen Sie 1 oder 2 Tassen Wasser in den Einfüllstutzen, schalten Sie den Entsafter ein, lassen Sie ihn eine Weile laufen, öffnen Sie den Deckel des Saftauslaufs, die Flüssigkeit wird in den Behälter verschmolzen und die Arbeitsschale wird etwas vom vorherigen Obst oder Gemüse gereinigt. Wiederholen Sie gegebenenfalls den Vorgang des Vorspülens des Entsafters.
- Um verschiedene Säfte bei laufendem Entsafter zu mischen, können Sie den Deckel des Saftauslaufs (9) schließen und andere Obst oder Gemüse weiter entsaften, dann den Deckel des Saftauslaufs (9) öffnen und den Saft in den Behälter (13) abgießen.

- Schließen Sie den Deckel des Saftauslaufs (9), wenn Sie den Saft aus dem Behälter (13) abgießen oder wenn der Entsafterbetrieb beendet ist.
- Wenn sich die Schnecke (4) während des Entsafterbetriebs verlangsamt, schalten Sie den Entsafter sofort aus, indem Sie den Netzschalter (11) auf «OFF» stellen, nachdem die Schnecke (4) stoppt, stellen Sie den Netzschalter (11) auf «R» und halten, dabei wird die Reversierfunktion der Schnecke (4) aktiviert. Lassen Sie nach einigen Sekunden den Netzschalter (11) los, ziehen Sie den Netzstecker aus der Steckdose, drehen Sie den Einfüllstutzen/ die Abdeckung (2-3) gegen den Uhrzeigersinn und entfernen Sie die Ursache für die Verlangsamung der Schneckenrotation (4). Nachdem Sie die Ursache beseitigt haben, installieren Sie den Einfüllstutzen/ Deckel (2-3) und fahren Sie mit dem Entsafter fort.
- Wenn der Saftbehälter (13) gefüllt ist, schalten Sie den Entsafter aus und gießen Sie den Saft in einen geeigneten Behälter ab, stellen Sie den Behälter (13) unter den Saftauslauf (9).

**Anmerkung:** Gießen Sie den Saft langsam aus dem Behälter (13), während der Schaumabscheider den Schaum zurückhält, entfernen Sie den Schaumabscheider, spülen Sie den Behälter (13) aus, setzen Sie den Schaumabscheider wieder ein (Abb. 8).

- Beobachten Sie die Entwicklung des Quetschbehälters (14), schalten Sie den Entsafter aus und entfernen Sie den Saft aus dem Behälter (14).

**Anmerkung:** zur bequemen Tresterentfernung ist es empfohlen, einen größgeeigneten Beutel in den Behälter (14) einzustecken und Trester zusammen mit dem Beutel zu entfernen.

- Schalten Sie den Entsafter nach dem Gebrauch aus, indem Sie den Netz (11) auf «OFF» stellen, ziehen Sie den Netzstecker aus der Steckdose heraus.

### ÜBERHITZUNGSSCHUTZ

- Wird die Betriebstemperatur des Elektromotors überschritten, spricht der Überhitzungsschutz an, und der Entsafter wird ausgeschaltet.
- Wenn der Entsafter während des Betriebs spontan ausgeschaltet wird, stellen Sie den Netz (11) auf «OFF» und ziehen Sie der Netzstecker aus der Steckdose heraus.
- Abhängig von der Raumtemperatur kann die Abkühlzeit des Elektromotors zwischen 20 und 50 Minuten betragen, nachdem der Elektromotor abkühlt, stecken Sie der Netzstecker in eine Steckdose ein und schalten Sie den Entsafter ein.
- Wenn der Entsafter nicht eingeschaltet wird, warten Sie noch einige Zeit, bei keinen Änderungen kann es auf eine andere Störung hindeuten, wenden Sie sich in diesem Fall an einen autorisierten Kundendienst.
- Befolgen Sie die empfohlene Entsafter-Betriebszeit.

### REINIGUNG UND PFLEGE

- Reinigen Sie den Entsafter nach jedem Gebrauch.

- Schalten Sie den Entsafter vor dem Reinigen aus und ziehen Sie den Netzstecker aus der Steckdose heraus.
- Tauchen Sie die Motoreinheit (10), das Netzkabel und den Netzstecker ins Wasser oder jegliche andere Flüssigkeiten nicht ein.
- Nehmen Sie den Stampfer (1) aus dem Füllrohr (2) heraus.
- Drehen Sie das Füllrohr (1) mit dem Deckel (2-3) entgegen dem Uhrzeigersinn und nehmen Sie diese ab.
- Entfernen Sie die Schnecke (4), den Siebfilter (5) und den Trennzeichen (6) aus der Arbeitsschale (7).
- Drehen Sie die Arbeitsschale (7) gegen den Uhrzeigersinn und nehmen sie von der Motoreinheit (10) ab.
- Waschen Sie die ausgebauten Teile (2-3, 4, 5, 6, 7), den Saftbehälter (13), den Tresterbehälter (14) mit Warmwasser und einem neutralen Reinigungsmittel, spülen und trocknen Sie diese ab.
- Um den Saftbehälter (13) einfach zu spülen, entfernen Sie den Schaumabscheider, spülen Sie den Behälter (13) aus und setzen Sie den Schaumabscheider wieder ein (Abb. 8)
- Entfernen Sie die Silikondichtung (12) im Inneren des Arbeitsbehälters (7) und reinigen und spülen Sie den Austrittskanal.
- Setzen Sie die Silikondichtung (12) im Inneren der Arbeitsschale (7) wieder ein (Abb. 1).
- Verwenden Sie die Bürste (15), um das Siebfilter (5) und andere schwer zugängliche Stellen zu reinigen.

- Spülen Sie die abnehmbaren Teile des Entsafters in keiner Geschirrspülmaschine ab.
- Wischen Sie die Motoreinheit (10) mit einem leicht angefeuchteten Tuch, dann trocknen Sie sie ab.
- Verwenden Sie keine harten Schwämme, Scheuer- oder Lösungsmittel, um den Entsafter zu reinigen.
- Obst und Gemüse mit färbenden Eigenschaften wie Brombeeren, Karotten oder Rüben können die Teile des Entsafters färben. In diesem Fall können Sie ein trockenes, mit Pflanzenöl angefeuchtetes Tuch verwenden. Waschen Sie die Teile nach dem Reinigen mit Warmwasser und einem milden Reinigungsmittel, dann spülen und trocknen Sie sie ab.

### AUFBEWAHRUNG

- Reinigen Sie den Entsafter, bevor Sie ihn zur Aufbewahrung wegnehmen.
- Bewahren Sie den Entsafter an einem trockenen, kühlen und für Kinder und behinderte Personen unzugänglichen Ort auf.

### LIEFERUMFANG

- Entsafter – 1 Stk.
- Bedienungsanleitung – 1 Stk.

### TECHNISCHE EIGENSCHAFTEN

- Stromversorgung: 220-240 V ~ 50-60 Hz
- Nennleistungsaufnahme: 150 W
- Füllrohrdurchmesser – 75 mm
- Saftbehälter-Fassungsvermögen – 1 l
- Tresterbehälter-Fassungsvermögen – 1 l

### ENTSORGUNG



Um ein mögliches Schaden für die Umwelt oder die menschliche Gesundheit durch unkontrollierte Abfallentsorgung zu vermeiden, werfen Sie das Gerät und die Batterien (falls mitgeliefert) nach Beendigung ihrer Nutzungsdauer zusammen mit gewöhnlichen

Haushaltsabfällen nicht weg, geben Sie das Gerät und die Batterien in die Spezialpunkte für weitere Entsorgung über.

Die bei der Entsorgung der Erzeugnisse entstehenden Abfälle sind unbedingt zu sammeln und weiter ordnungsmäßig zu entsorgen.

Mehrere Information zur Entsorgung dieses Lebensmittels erhalten Sie bei Ihrer lokalen Stadtverwaltung, einem Abfallentsorgungsdienst oder beim Geschäft, wo Sie dieses Lebensmittel gekauft haben.

Der Hersteller behält sich das Recht vor, das Design, die Konstruktion und die das gemeine Gerätebetriebsprinzip nicht beeinflussende technische Eigenschaften ohne Vorbenachrichtigung zu verändern.

**Die Gerätenutzungsdauer beträgt 3 Jahre**

**Das Herstellungsdatum ist in der Fabrikationsnummer angegeben.**

**Bei Störungsfeststellung wenden Sie sich baldigst an einen autorisierten Kundendienst.**

## СОКОВЫЖИМАЛКА ШНЕКОВАЯ BR1703

Используйте шнековую соковыжималку для приготовления свежего сока из фруктов или овощей.

Шнековые соковыжималки называют «медленными соковыжималками», они давят, а не измельчают фрукты или овощи, как центробежные соковыжималки, поэтому в шнековых соковыжималках, получается сок холодного отжима. Такая технология отжима сока, гарантируют сохранность в соке клеточной структуры, микроэлементов, ферментов и витаминов.

### ОПИСАНИЕ

1. Толкатель
2. Загрузочная горловина
3. Крышка
4. Шнек
5. Сетчатый фильтр
6. Сепаратор
7. Рабочая чаша
8. Носик выхода отжимок
9. Носик выхода сока
10. Моторный блок
11. Выключатель питания «ON/OFF/R»
12. Силиконовый уплотнитель

13. Ёмкость для сока
14. Ёмкость для отжимок
15. Щёточка для чистки

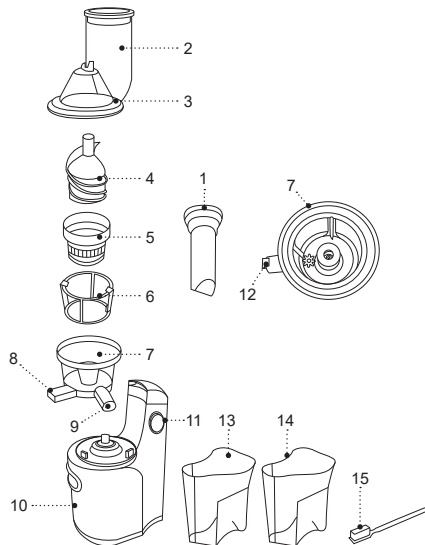




Рис. 1

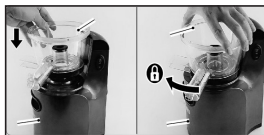


Рис. 2

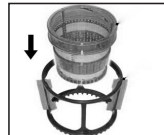


Рис. 3



Рис. 4



Рис. 5



Рис. 6

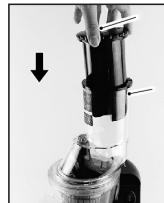


Рис. 7

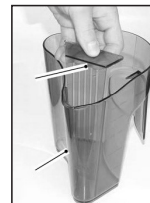


Рис. 8

## МЕРЫ БЕЗОПАСНОСТИ И РЕКОМЕНДАЦИИ ПО ЭКСПЛУАТАЦИИ

Перед использованием соковыжималки внимательно ознакомьтесь с руководством по эксплуатации, после прочтения сохраните его для использования в будущем.

**ВНИМАНИЕ!** Максимально допустимое время непрерывного цикла работы соковыжималки составляет не более 1 минуты с последующим перерывом не менее 1 минуты.

- Используйте соковыжималку только по её прямому назначению, как изложено в данной инструкции.
- Неправильное обращение с соковыжималкой может привести к её поломке, причинению вреда пользователю или его имуществу и не является гарантийным случаем.
- Убедитесь, что рабочее напряжение устройства, указанное на этикетке, соответствует напряжению электросети.
- Запрещается подключать устройство к внешним таймерам или к электрическим розеткам с дистанционным управлением.
- Устанавливайте и используйте соковыжималку на ровной, сухой, устойчивой поверхности так, чтобы доступ к электрической розетке всегда был свободным.
- Запрещается использовать устройство вне помещений.

- Не рекомендуется использовать устройство во время грозы.
- Оберегайте соковыжималку от ударов, падений, вибраций и иных механических воздействий.
- Не оставляйте устройство, включённое в сеть, без присмотра.
- Не используйте устройство в непосредственной близости от нагревательных приборов, источников тепла или открытого пламени.
- Запрещается использовать соковыжималку в местах, где используются или распыляются аэрозоли, а также вблизи от легковоспламеняющихся жидкостей.
- Не используйте соковыжималку вблизи от кухонной раковины, в ванных комнатах, около бассейнов или других ёмкостей, наполненных водой.
- Если соковыжималка упала в воду, немедленно выньте вилку шнура питания из электрической розетки, и только после этого можно достать устройство из воды. Обратитесь в сервисный центр для осмотра или ремонта устройства.
- Не допускайте, чтобы шнур питания касался горячих поверхностей и острых кромок мебели.
- Используйте только те детали соковыжималки, которые входят в комплект поставки.
- Всегда проверяйте на предмет механических повреждений сетчатый фильтр, если вы обнаружите механические повреждения, не используйте соковыжималку, до тех пор, пока не замените сетчатый фильтр.
- Во время работы пользуйтесь только толкателем, входящим в комплект поставки, запрещается протал-



- кивать фрукты или овощи в загрузочную горловину пальцами или любыми другими предметами.
- Запрещается разбирать соковыжималку, если вилка шнура питания вставлена в электрическую розетку.
  - Отключайте устройство от электросети после использования или перед чисткой. При отключении соковыжималки от электрической сети держитесь за вилку шнура питания и аккуратно выньте её из электрической розетки, не тяните за шнур питания — это может привести к его повреждению и вызвать короткое замыкание.
  - Не прикасайтесь к корпусу устройства, к шнуру питания и к вилке шнура питания мокрыми руками.
  - Из соображений безопасности детей не оставляйте полиэтиленовые пакеты, используемые в качестве упаковки, без надзора.

**ВНИМАНИЕ!** Не разрешайте детям играть с полиэтиленовыми пакетами или упаковочной плёнкой.  
**Опасность удара!**

- Устройство не предназначено для использования детьми.
- Осуществляйте надзор за детьми, чтобы не допустить использования устройства в качестве игрушки.
- Не разрешайте детям прикасаться к корпусу устройства, к шнуру питания или к вилке шнура питания во время работы устройства.
- Будьте особенно внимательны, если поблизости от работающего устройства находятся дети или лица с ограниченными возможностями.

- Во время работы и в перерывах между рабочими циклами размещайте устройство в местах, недоступных для детей.
- Прибор не предназначен для использования лицами (включая детей) с пониженными физическими, психическими, сенсорными или умственными способностями, или при отсутствии у них опыта или знаний, если они не находятся под контролем или не проинструктированы лицом, ответственным за их безопасность, об использовании прибора.
- Периодически проверяйте целостность шнура питания.
- При повреждении шнура питания его замену, во избежание опасности, должны производить изготовитель, сервисная служба или подобный квалифицированный персонал.
- Запрещается самостоятельно ремонтировать устройство. Не разбирайте устройство самостоятельно, при возникновении любых неисправностей, а также после падения устройства отключите его от электросети и обратитесь в авторизованный сервисный центр.
- Во избежание повреждений перевозите устройство в заводской упаковке.
- Храните устройство в сухом прохладном месте, недоступном для детей и людей с ограниченными возможностями.

**УСТРОЙСТВО ПРЕДНАЗНАЧЕНО ТОЛЬКО ДЛЯ БЫТОВОГО ИСПОЛЬЗОВАНИЯ, ЗАПРЕЩАЕТСЯ ИСПОЛЬЗОВАТЬ УСТРОЙСТВО В КОММЕРЧЕСКИХ ИЛИ ЛАБОРАТОРНЫХ ЦЕЛЯХ.**

## ПЕРЕД ПЕРВЫМ ИСПОЛЬЗОВАНИЕМ

После транспортировки или хранения устройства при отрицательной температуре распакуйте его и подождите 3 часа перед использованием.

- Распакуйте устройство и удалите все упаковочные материалы.
- Сохраните заводскую упаковку.
- Ознакомьтесь с мерами безопасности и рекомендациями по эксплуатации.
- Проверьте комплектацию.
- Осмотрите устройство на наличие повреждений, при наличии повреждений не включайте его в сеть.
- Убедитесь, что указанные параметры напряжения питания устройства соответствуют параметрам электрической сети. При использовании устройства в электрической сети частотой 60 Гц, никаких дополнительных действий не требуется.
- Разберите соковыжималку и промойте детали, которые будут контактировать с фруктами или овощами при работе соковыжималки.
- Выньте толкатель (1) из загрузочной горловины (2).
- Поверните загрузочную горловину/крышку (2-3) против часовой стрелки и снимите её.
- Выньте из рабочей чаши (7) шнек (4), сетчатый фильтр (5) и сепаратор (6).
- Поверните рабочую чашу (7) против часовой стрелки и снимите её с моторного блока (8).
- Промойте снятые детали (2-3, 4, 5, 6, 7), ёмкость для сока (13), ёмкость для отжимок (14), щёточку

для чистки (15), тёплой водой с нейтральным моющим средством, ополосните и просушите.

- Моторный блок (10) протрите слегка влажной тканью, после чего вытрите насухо.

## СБОРКА СОКОВЫЖИМАЛКИ

- Установите соковыжималку на ровную, сухую и устойчивую поверхность, так, чтобы доступ к электрической розетке всегда был свободным.
- Перед сборкой соковыжималки, убедитесь, что силиконовый уплотнитель (12), расположенный внутри рабочей чаши (7), установлен на место (рис. 1).

**Примечание:** силиконовый уплотнитель должен плотно входить в место его установки, в противном случае, во время работы сок может вытекать из рабочей чаши (7) и стать причиной повреждения соковыжималки.

- Установите рабочую чашу (7) на моторный блок (10) и поверните её по часовой стрелке до упора (рис. 2).
- Вставьте сетчатый фильтр (5) в сепаратор (6) (рис. 3).
- Совместите красную метку «●» на сетчатом фильтре, с красной меткой «●» на корпусе рабочей чаши (7) и установите сетчатый фильтр (5) в рабочую чашу (7), убедитесь, что сетчатый фильтр (5) установлен правильно и зафиксирован (рис. 4).
- Установите в сетчатый фильтр (5) шнек (4), шнек (4) должен зафиксироваться на приводном валу (рис. 5).
- Установите загрузочную горловину/крышку (2-3) на рабочую чашу (7), совместите красную метку

- «●» на загрузочной горловине/крышке (2-3), с красной меткой «●» на корпусе рабочей чаши (7) и поверните загрузочную горловину/крышку (2-3) по часовой стрелке до упора (рис. 6). Убедитесь, что загрузочная горловина/крышка (2-3) надёжно зафиксирована.
- Вставьте толкатель (1) в загрузочную горловину (2) (рис. 7).
  - Под носик (9) установите ёмкость для сока (13), под носик (8) установите ёмкость для отжимок (14).
  - Соковыжималка готова к работе.

### ПОЛЕЗНЫЕ СОВЕТЫ

- Соковыжималка не предназначена для отжима сока из фруктов с высоким содержанием пектина или крахмала, например, бананы, папайя, авокадо и т.п., в бананах сок практически отсутствует, добавляйте их только для аромата.
- Фрукты с мелкими и более мягкими косточками, например, яблоки, виноград, апельсины и т.п., можно отжимать вместе с косточками, но при этом рекомендуется регулировать подачу фруктов, не допуская перегрузки соковыжималки, и следите, чтобы соковыжималка успевала выбрасывать отжимки, так, как косточки выходят вместе с отжимками.
- Соковыжималка не предназначена для переработки очень твёрдых и волокнистых продуктов, например, кокос, айва, ремень и т.п.
- Для переработки подобных фруктов или овощей, пользуйтесь другими видами кухонной техники.
- Используйте только спелые фрукты и свежие овощи, так как в них содержится больше сока.
- Для сока можно использовать различные фрукты (яблоки, виноград, ананасы и т.п.) или овощи (морковь, свёклу, стебли сельдерея, шпинат, огурцы, помидоры и т.п.).
- Перед отжимом сока, тщательно промойте фрукты или овощи и просушите их.
- Ягоды быстро теряют свежесть, мойте ягоды непосредственно перед отжимом сока.
- Срезать тонкую кожуру с фруктов или овощей не обязательно, срежьте только толстую кожуру, например, с ананасов.
- Выбирайте сорт яблок, отвечающий вашим требованиям, помните, что насыщенность сока зависит от сорта яблок.
- Яблочный сок быстро темнеет, добавьте несколько капель лимонного сока, процесс потемнения яблочного сока замедлится.
- Употребляйте сок сразу после его отжима, при длительном хранении на воздухе, сок теряет свои вкусовые качества и пищевую ценность.
- Если вы планируете хранить сок, перелейте его в чистую ёмкость с герметичной крышкой и храните в холодильнике.
- Не рекомендуется хранить сок в металлической ёмкости, сок может приобрести соответствующий привкус.

## ПРИГОТОВЛЕНИЕ СОКА

### ВНИМАНИЕ!

- Максимально допустимое время непрерывного цикла работы соковыжималки составляет не более 1 минуты с последующим перерывом не менее 1 минуты.
- Перед сборкой соковыжималки всегда проверяйте сетчатый фильтр (5) на предмет механических повреждений.
- Запрещается использовать соковыжималку при наличии механических повреждений сетчатый фильтр (5).
- Подготовьте фрукты или овощи, тщательно промойте их, удалите несъедобные части у фруктов, такие как плодоножки, срежьте с ананаса твёрдую кожуру, удалите вишнёвые или персиковые косточки, порежьте фрукты или овощи на кусочки, которые легко проходят в загрузочную горловину (2).
- Убедитесь в правильности сборки соковыжималки, см. пункт «сборка соковыжималки».
- Откройте крышку носика для слива сока (9).
- Вставьте вилку шнура питания в электрическую розетку.
- Включите соковыжималку, установив выключатель (11) в положение «ON».
- Опускайте фрукты или овощи в загрузочную горловину (2), только во время вращения шнека (4) и слегка надавливайте на них толкателем (1). Не рекомендуется сильно нажимать на толкатель (1).

- Во время работы пользуйтесь только толкателем (1), входящим в комплект поставки, запрещается проталкивать фрукты или овощи в загрузочную горловину (2) пальцами или любыми другими предметами.
- Периодически проверяйте состояние сетчатого фильтра (5) на предмет засорения мякотью, при необходимости, выключите соковыжималку, установив выключатель питания (11) в положение «OFF» и выньте вилку шнура питания из электрической розетки.

### Примечания:

- перед разборкой соковыжималки, рекомендуется включить функцию обратного вращения шнека (4) «R» «реверс», для этого установите выключатель питания (11) в положение «R» и удерживайте его в течение 1-2 секунд, такая операция облегчит снятие шнека;
- перед включением функции обратного вращения шнека (4) «R» «реверс», необходимо выключить соковыжималку, установив выключатель питания (11) в положение «OFF», дождаться полной остановки вращения шнека (4), и после этого перевести выключатель питания (11) в положение «R».
- Поверните загрузочную горловину/крышку (2-3) против часовой стрелке и снимите её, выньте шнек (4), выньте сетчатый фильтр (5) с сепаратором (6), промойте снятые детали (2-3, 4, 5, 6), ополосните и установите их в обратной последовательности (см.

раздел «сборка соковыжималки», вставьте вилку шнура питания в электрическую розетку, включите соковыжималку для продолжения работы.

#### Примечания:

- рекомендуется также снять и промыть рабочую чашу (7) и канал выхода отжимок, предварительно вынув силиконовый уплотнитель (12);
- перед установкой рабочей чаши (7), убедитесь, что силиконовый уплотнитель (12) установлен на место (рис. 1).
- Если вы хотите выжать сок из другого фрукта или овоща, не смешивая сок с предыдущим фруктом или овощем, закройте крышку носика для слива сока (9), налейте в загрузочную горловину 1 или 2 стакана воды, включите соковыжималку, дайте поработать ей некоторое время, откройте крышку носика для слива сока, жидкость сольётся в ёмкость и рабочая чаша несколько очистится от предыдущего фрукта или овоща. При необходимости повторите процесс предварительной промывки соковыжималки.
- Для смешивания различных соков, во время работы соковыжималки, вы можете закрыть крышку носика для слива сока (9), и продолжать выжимать сок из другого фрукта или овоща, после этого открыть крышку носика (9) и слить сок в ёмкость (13).
- Закрывайте крышку носика (9), когда сливается сок из ёмкости (13) или после завершения работы соковыжималки.

- Если во время работы соковыжималки вращение шнека (4) замедлилось, срочно выключите соковыжималку, установив выключатель питания (11) в положение «OFF», после остановки вращения шнека (4), переведите выключатель питания (11) в положение «R» и удерживайте его, при этом включится функция обратного вращения шнека (4). Через несколько секунд отпустите выключатель питания (11), выньте вилку шнура питания из электрической розетки, поверните загрузочную горловину/крышку (2-3) против часовой стрелки и снимите, устранив причину, связанную с замедлением вращения шнека (3). Устранив причину, установите загрузочную горловину/крышку (2-3) и продолжайте работу с соковыжималкой.
- По мере наполнения ёмкости для сока (13), выключите соковыжималку и слейте сок в подходящую ёмкость, установите ёмкость (13) под носик для слива сока (9).

**Примечание:** медленно выливайте сок из ёмкости (13), при этом пеноотделитель будет задерживать пену, выньте пеноотделитель, промойте ёмкость (13), установите пеноотделитель на место (рис.8).

- Следите за наполнением ёмкости для отжимок (14), выключите соковыжималку и удалите отжимки из ёмкости (14).

**Примечание:** для удобства удаления отжимок, рекомендуется в ёмкость (14) вставить подходящий по размеру пакет и удалять отжимки вместе с пакетом.

- После использования соковыжималки выключите её, установив выключатель питания (11) в положение

«OFF», выньте вилку шнура питания из электрической розетки.

### ЗАЩИТА ОТ ПЕРЕГРЕВА

- При превышении рабочей температуры электромотора, сработает защита от перегрева, и соковыжималка выключится.
- Если во время работы, соковыжималка самопроизвольно выключится, установите выключатель питания (11) в положение «OFF», выньте вилку шнура питания из электрической розетки.
- В зависимости от температуры в помещении время остывания электромотора может быть в пределах от 20-50 минут, после остывания электромотора, вставьте вилку шнура питания в электрическую розетку и включите соковыжималку.
- Если соковыжималка не включилась, подождите ещё некоторое время, если изменений не произошло, это может означать о другом дефекте, в этом случае обратитесь авторизованный сервисный центр.
- Следите за рекомендованным временем работы соковыжималки.

### ЧИСТКА И УХОД

- Производите чистку соковыжималки после каждого её использования.
- Перед чисткой выключите соковыжималку и выньте вилку шнура питания из электрической розетки.

- Запрещается погружать моторный блок (10), шнур питания и вилку шнура питания в воду или любую другую жидкость.
- Выньте толкатель (1) из загрузочной горловины (2).
- Поверните загрузочную горловину/крышку (2-3) против часовой стрелки и снимите.
- Выньте из рабочей чаши (7) шнек (4), сетчатый фильтр (5) и сепаратор (6).
- Поверните рабочую чашу (7) против часовой стрелки и снимите её с моторного блока (10).
- Промойте снятые детали (2-3, 4, 5, 6, 7), ёмкости для сока (13), ёмкость для отжимок (14), уплотнительное кольцо, тёплой водой с нейтральным моющим средством, ополосните и просушите.
- Для удобства промывки ёмкости для сока (13), выньте пеноотделитель, промойте ёмкость (13), вставьте пеноотделитель на место (рис 8).
- Выньте силиконовый уплотнитель (12), расположенный внутри рабочей чаши (7) и прочистите и промойте канал выхода отжимок.
- Установите на место силиконовый уплотнитель, расположенный (4) внутри рабочей чаши (7) (рис. 1).
- Для промывки сетчатого фильтра (5) и других труднодоступных мест, используйте щёточку (15).
- Запрещается использовать посудомоечную машину для промывки съёмных деталей соковыжималки.
- Моторный блок (10) протрите слегка влажной тканью, после чего протрите насухо.

- Запрещается использовать для чистки соковыжималки жёсткие губки, абразивные чистящие средства или растворители.
- Фрукты и овощи с красящими свойствами, например, ежевика, морковь или свёкла, могут окрасить детали соковыжималки, в этом случае можно использовать сухую ткань, смоченную в растительном масле, после очистки деталей промойте их тёплой водой с мягким моющим средством, ополосните и просушите.

#### **ХРАНИЕНИЕ**

- Перед тем, как убрать соковыжималку на хранение проведите её чистку.
- Храните соковыжималку в сухом прохладном месте, недоступном для детей и людей с ограниченными возможностями.

#### **КОМПЛЕКТАЦИЯ**

- Соковыжималка — 1 шт.
- Инструкция — 1 шт.

#### **ТЕХНИЧЕСКИЕ ХАРАКТЕРИСТИКИ**

- Электропитание: 220-240 В, ~ 50-60 Гц
- Номинальная потребляемая мощность: 150 Вт
- Диаметр загрузочного отверстия – 75 мм
- Объём ёмкости для сбора сока – 1 л
- Объём контейнера для отжимок – 1 л

#### **УТИЛИЗАЦИЯ**



Чтобы предотвратить возможный вред окружающей среде или здоровью людей от неконтролируемой утилизации отходов, после окончания срока службы устройства или элементов питания (если входят в комплект), не выбрасывайте их вместе с обычными бытовыми отходами, передайте прибор и элементы питания в специализированные пункты для дальнейшей утилизации.

Отходы, образующиеся при утилизации изделий, подлежат обязательному сбору с последующей утилизацией в установленном порядке.

Для получения дополнительной информации об утилизации данного продукта обратитесь в местный муниципалитет, службу утилизации бытовых отходов или в магазин, где Вы приобрели данный продукт.

Производитель сохраняет за собой право изменять дизайн, конструкцию и технические характеристики, не влияющие на общие принципы работы устройства, без предварительного уведомления.

**Срок службы устройства — 3 года**

**Дата производства указана в серийном номере.**

**В случае обнаружения каких-либо неисправностей необходимо обратиться в авторизованный сервисный центр.**

## ШЫРЫНСЫҚҚЫШ BR1703

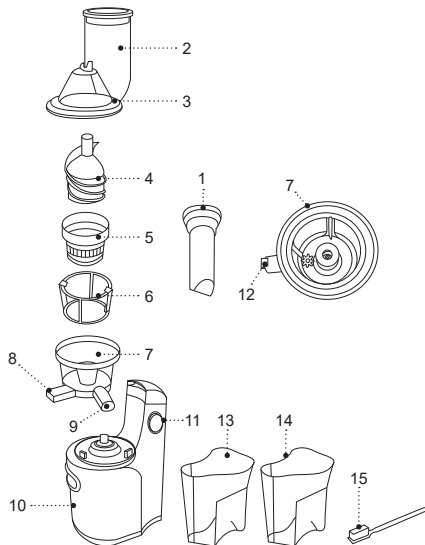
Жемістер мен көкөністерден жаңа шырын жасау үшін шнекті шырынсыққышты қолданыңыз.

Шнекті шырынсыққышты «баяу шырынсыққыш» деп атайды, олар жемістер мен көкөністерді басады, орталықтан тепкіш шырынсыққыштар сияқты ұсақтамайды, сондықтан шнекті шырынсыққыштардан суық сығымдалған шырын алынады. Шырынды сығудың бұл технологиясы, шырынның жасуша құрылымын, микроэлементтерді, ферменттер мен дәрумендердің сақталуына кепілдік береді.

### СИПАТТАМАСЫ

1. Итергіш
2. Жүктеу мойны
3. Қақпағы
4. Шнек
5. Торлы сүзгі
6. Сепаратор
7. Жұмыс тостағаны
8. Сығындылар шығатын шүмек
9. Шырын шығатын шүмек
10. Мотор блогы
11. Қуат ажыратқышы «ON/OFF/R»
12. Силикон тығыздағыш
13. Шырынға арналған сыйымдылық
14. Сығындыларға арналған сыйымдылық
15. Тазалауға арналған қылшақша

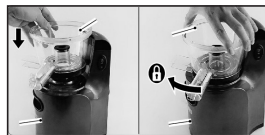
14. Сығындыларға арналған сыйымдылық
15. Тазалауға арналған қылшақша







Cyp. 1



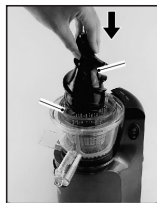
Cyp. 2



Cyp. 3



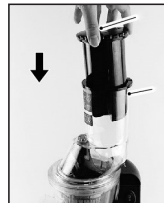
Cyp. 4



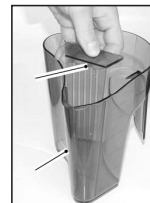
Cyp. 5



Cyp. 6



Cyp. 7



Cyp. 8

## ҚАУІПСІЗДІК ШАРАЛАРЫ ЖӘНЕ ПАЙДАЛА- НУ БОЙЫНША НҰСҚАУЛЫҚТАР

**Шырынсыққыш пайдалану алдында пайдалану жөніндегі нұсқаулықты мұқият оқып шығыңыз, оқыған соң, болашақта пайдалану үшін сақтап қойыңыз.**

### НАЗАР АУДАРЫҢЫЗ!

Шырынсыққыш жұмысының үздіксіз циклінің рұқсат етілген максималды уақыты 1 минуттан аспайды, одан кейін 1 минуттан кем емес үзіліс жасалады.

- Шырынсыққыш осы нұсқаулықта баяндалғандай, тікелей мақсаты бойынша ғана пайдаланыңыз.
- Шырынсыққыш дұрыс қолданбау оның бұзылуына, және пайдаланушыға немесе оның мүлкіне зиян келтіруге әкеп соғуы мүмкін және кепілдік жағдайы болып табылмайды.
- Заттаңбада көрсетілген құрылғының жұмыс кернеуі, электр желісінің кернеуіне сәйкес екеніне көз жеткізіңіз.
- Құрылғыны сыртқы таймерлерге немесе қашықтықтан басқарылатын электр розеткаларға қосуға тыйым салынады.
- Шырынсыққыш желі розеткасына кіру әрқашан бос болатындай етіп тегіс, құрғақ, орнықты, бетке орнатыңыз және пайдаланыңыз.
- Құрылғыны үй-жайдан тыс жерде пайдалануға тыйым салынады.

- Найзағай кезінде құрылғыны пайдалану ұсынылмайды.
- Шырынсыққыш соққыдан, құлаудан, дірілден және басқа да механикалық әсерлерден сақтаңыз.
- Желіге қосылған құрылғыны, қараусыз қалдырмаңыз.
- Құрылғыны жылу көздерінің, жылыту аспаптарының немесе ашық оттың тікелей жанында пайдаланбаңыз.
- Шырынсыққыш аэрозольдар пайдаланылатын немесе шашырайтын жерлерде, сондай-ақ тез тұтанатын сұйықтықтарға жақын жерлерде пайдалануға тыйым салынады.
- Шырынсыққыш ас үй раковинасына жақын, жуынатын бөлмеде, бассейндер немесе басқа да су толтырылған сыйымдылықтарға жақын жерде пайдаланбаңыз.
- Шырынсыққыш суға құлап кеткен жағдайда, дереу желі бауының ашасын электр розеткасынан сурыңыз, содан кейін ғана құрылғыны судан алып шығуға болады. Құралды тексерту немесе жөндету үшін рұқсаты бар сервис орталығына хабарласыңыз.
- Қуаттандыру бауының ыстық беттерге және жиһаздың өткір жиектеріне тиюін болдырмаңыз.
- Шырынсыққыш жеткізу жиынтығына кіретін бөлшектерін ғана қолданыңыз.
- Торлы сүзгіні әрқашан механикалық зақымдануға қатысты тексеріп отырыңыз, егер сіз механикалық зақымдануды байқасаңыз, шырынсыққышты торлы сүзгіні ауыстырғанға дейін пайдаланбаңыз.

- Жұмыс кезінде тек жеткізу жиынтығына кіретін итергішті қолданыңыз, жемістер мен көкөністерді саусақтарыңызбен немесе кез-келген басқа заттармен жүктеу мойнына итеруге тыйым салынады.
  - Егер қуат бауының ашасы электр розеткасына салынып тұрса, шырынсыққышты бөлшектеуге тыйым салынады.
  - Құрылғыны пайдаланып болғаннан кейін немесе тазалау алдында міндетті түрде сөндіріңіз. Шырынсыққыш электр желісінен ажыратқан кезде тек желі бауының ашасынан ұстаңыз және оны электр розеткасынан абайлап шығарыңыз, желі бауынан тартпаңыз — бұл оның зақымдануына әкеліп, қысқа тұйықталуын тудыруы мүмкін.
  - Құрылғы корпусын, желі бауын және желі бауының ашасын су қолмен ұстамаңыз.
  - Балалардың қауіпсіздігі үшін қаптама ретінде пайдаланылатын полиэтилен пакеттерді қадағалаусыз қалдырмаңыз.
- Назар аударыңыз!** Балаларға полиэтилен пакеттерімен немесе қаптама үлдірімен ойнауға рұқсат етпеңіз. **Тұншығу қаупі!**
- Құрылғы балалардың пайдалануына арналмаған.
  - Құрылғыны ойыншық ретінде пайдалануын болдырмау үшін, балаларды қадағалаңыз.
  - Құрылғы жұмыс істеп тұрғанда балалар жұмыс бетіне, құрылғы корпусына, желі бауына немесе желі бауының ашасына жақындауына рұқсат бермеңіз.
  - Егер жұмыс істеп тұрған құрылғының маңында балалар немесе мүмкіндіктері шектеулі адамдар болса, онда ерекше мұқият болыңыз.
  - Жұмыс істеу уақытында және жұмыс циклдері арасындағы үзілістерде құрылғыны балалардың қолы жетпейтін жерде орналастырыңыз.
  - Аспап дене, жүйке немесе сана мүмкіндіктері төмендетілген тұлғалардың (балаларды қоса) пайдалануына арналмаған, сондай-ақ егер олардың тәжірибесі немесе білімі болмаса, егер олар бақыланбаса немесе олардың қауіпсіздігі үшін жауап беретін тұлғамен аспапты пайдалану туралы нұсқаулықтар берілмесе.
  - Желі бауының бүтіндігін мезгілімен тексеріп отырыңыз.
  - Қуаттандыру бауы зақымданғанда қауіп тудырмау үшін оны дайындаушы, сервистік қызмет немесе баламалы білікті маман ауыстыруы тиіс.
  - Құрылғыны өздігіңізден жөндеуге тыйым салынады. Құрылғыны өз бетіңізбен бөлшектемеңіз, кез-келген ақаулықтар пайда болған кезде, сондай-ақ құрылғы құлағаннан кейін оны электр желісінен ажыратыңыз және авторланған сервистік орталыққа жүгініңіз.
  - Құрылғыны зақымдамау үшін, оны тек зауыт қаптамасында тасымалдаңыз.

- Құрылғыны салқын және құрғақ жерде, балалардың және мүмкіндігі шектеулі адамдардың қолы жетпейтін жерде сақтаңыз.

**ҚҰРЫЛҒЫ ТЕК ТҰРМЫСТЫҚ ПАЙДАЛАНУҒА ҒАНА АРНАЛҒАН, ҚҰРЫЛҒЫНЫ КОММЕРЦИЯЛЫҚ НЕМЕСЕ ЗЕРТХАНАЛЫҚ МАҚСАТТАРДА ПАЙДАЛАНУҒА ТЫЙЫМ САЛЫНАДЫ.**

### **АЛҒАШ РЕТ ПАЙДАЛУ АЛДЫНДА**

**Құралды кері температурада тасымалдағаннан немесе сақтағаннан кейін оны қаптамадан шығарыңыз және пайдалану алдында 3 сағат күтіңіз.**

- Құралды қаптамадан шығарыңыз және барлық қаптама материалдарын жойыңыз.
- Зауыт қаптамасын сақтаңыз.
- Қауіпсіздік шаралары мен пайдалану нұсқауларымен танысыңыз.
- Жинақталымын тексеріңіз.
- Құралды зақымдануына қатысты байқаңыз зақымдануы болған жағдайда оны желіге қоспаңыз.
- Құралдың көрсетілген қуаттандыру кернеуі параметрлері электр желісінің параметрлеріне сәйкес келетініне көз жеткізіңіз. Құрылғыны 60 Гц жиіліктегі электр желісінде пайдаланғанда, ешқандай қосымша әрекет қажет емес.
- Шырынсыққышты бөлшектенізі және шырынсыққышты пайдалану кезінде жемістермен немесе көкөністермен жанасатын бөлшектерді жуып жіберіңіз.

- Итергішті (1) жүктеу мойнынан (2) шығарып алыңыз.
- Жүктеу мойнын/қақпақты (2-3) сағат тіліне қарсы бұраңыз және шешініп алыңыз.
- Жұмыс тостағанынан (7) шнекті (4), торлы сүзгіні (5) және сепараторды (6) шығарып алыңыз.
- Жұмыс тостағанынан (7) сағат тіліне қарсы бұраңыз және мотор блогынан (8) шешіп алыңыз.
- Шешіліп алынған бөлшектерді (2-3, 4, 5, 6, 7), шырынға арналған сыйымдылықты (13), сығындыларға арналған сыйымдылықты (14), тазалауға арналған қылшақшаны (15), бейтарап жуғыш құрал қосылған жылы сумен жуып жіберіңіз, шайыңыз және құрғатыңыз.
- Мотор блогын (10) шамалы дымқыл матамен сүртіп өтіңіз, содан кейін құрғатып сүртіңіз.

### **ШЫРЫНСЫҚҚЫШТЫ ЖИНАУ**

- Шырынсыққышты электр розеткасына қосу әрдайым бос болатындай етіп тегіс, құрғақ және орнықты жерге орнатыңыз.
- Шырынсыққышты құрастыру алдында, жұмыс тостағаны (7) ішінде орналасқан, силикон тығыздағыш (12) орнына орнатылғанына көз жеткізіңіз (сур. 1).
- Ескертпе: - силикон тығыздағыш (12) орнату орнына тығыз кіруі керек, әйтпесе жұмыс кезінде шырын жұмыс тостағанынан (7) ағып кетеді және шырынсыққыштың зақымдануына әкеледі.
- Жұмыс тостағанын (7) мотор блогына (10) орнатыңыз және оны сағат тілі бағытымен тірелгенге дейін бұраңыз (сур. 2).

- Торлы сүзгіні (5) сепараторға (6) салыңыз (сур. 3).
- Торлы сүзгідегі қызыл белгіні «●» жұмыс тостағаны (7) корпусында орналасқан қызыл белгімен «●» сәйкестендіріңіз және торлы сүзгіні (5) жұмыс тостағанына (7) орнатыңыз, торлы сүзгі (5) дұрыс орнатылғанына және бекітілгеніне көз жеткізіңіз (сур. 4).
- Торлы сүзгіге (5) шнекті (4) орнатыңыз, шнек (4) жетек білігіне бекітілуі керек (сур. 5).
- Жүктеу мойнын/қақпағын (2-3) жұмыс тостағанына (7) орнатыңыз, жүктеу мойнындағы/қақпағындағы (2-3) қызыл белгісін «●», жұмыс тостағаны (7) корпусындағы қызыл белгімен «●» сәйкестендіріңіз және жүктеу мойнын/қақпағын (2-3) сағат тіліне бағыттына бұраңыз (сур. 6). Жүктелетін мойын/қақпақ (2-3) мықтап бекітілгеніне көз жеткізіңіз.
- Итергішті (1) жүктеу мойнына (2) салыңыз (сур. 7).
- Шүмек (9) астына шырынға арналған сыйымдылықты (13) орнатыңыз, шүмектің (8) астына сығындыларға арналған сыйымдылықты (14) орнатыңыз.
- Шырынсыққыш жұмысқа дайын.
- Алма, жүзім, апельсин және т.б. сияқты ұсақ және жұмсақтау сүйектері бар жемістерді сүйектермен бірге сығып алуға болады, бірақ шырынсыққыштың шамадан тыс жүктелуіне жол бермей, жеміс беруді реттеп отыру ұсынылады және шырынсыққыш сығындыларды лақтыруға үлгеруін және сүйектерінің сығындылармен бірге шығып жатқанын тексеріп отырыңыз.
- Шырынсыққыш өте қатты және талшықты өнімдерді өңдеуге арналмаған, мысалы, кокос, беже, рауғаш және т. б.
- Мұндай жемістерді немесе көкөністерді өңдеу үшін, асүйлік техниканың басқа түрлерін қолданыңыз.
- Тек піскен жемістер мен жаңа піскен көкөністерді қолданыңыз, өйткені олардың құрамында шырын көп болады.
- Шырын жасау үшін әртүрлі жемістерді (алма, жүзім, ананас және т. б.) немесе көкөністерді (сәбіз, қызылша, балдыркөк сабағы, шпинат, қияр, қызанақ және т. б.) пайдалана аласыз.
- Шырын сығар алдында, жемістер мен көкөністерді мұқият жуыңыз және оларды құрғатыңыз.
- Жидектер тез балғындықты жоғалтады, жидектерді дәл шырынды сығар алдында жуыңыз.
- Жемістер мен көкөністердің жұқа қабығын аршудың қажеті жоқ, тек қалың қабығын аршыңыз, мысалы, ананасты.
- Сіздің талаптарыңызға сәйкес келетін алма түрін таңдаңыз, шырынның қанықтылығы алма түріне байланысты екенін ұмытпаңыз.

## ПАЙДАЛЫ КЕҢЕСТЕР

- Шырынсыққыш құрамында пектин немесе крахмалы көп жемістерден мысалы, банан, папайя, інжір, авокадо және т. б. осы сияқтылардан шырын сығуға арналмаған, банандарда шырын мүлдем жоқ, оларды тек хош иіс үшін қосыңыз.

- Алма шырыны тез қараяды, лимон шырынының бір-неше тамшысын қосыңыз, алма шырынының қараюу процесі баяулайды.
- Шырын сығылғаннан кейін бірден қолданыңыз, ауада ұзақ уақыт сақталса, шырын өзінің дәмі мен тағамдық құндылығын жоғалтады.
- Егер сіз шырынды сақтауды жоспарласаңыз, оны ауа өткізбейтін қақпағы бар таза сыйымдылыққа құйыңыз және тоңазытқышта сақтаңыз.
- Шырынды металл сыйымдылықта сақтау ұсынылмайды, шырында ерекше дәм пайда болуы мүмкін.

## ШЫРЫН ДАЙЫНДАУ

### НАЗАР АУДАРЫҢЫЗ!

- Шырынсыққыш жұмысының үздіксіз циклінің рұқсат етілген максималды уақыты 1 минуттан аспайды, одан кейін 1 минуттан кем емес үзіліс жасалады.
- Шырынсыққышты құрастырмас бұрын, механикалық зақымдануды қатысты әрдайым торлы сүзгіні (5) тексеріп отырыңыз.
- Сүзгі-үккіштің механикалық зақымдануы болған жағдайда торлы сүзгіні (5) пайдалануға тыйым салынады.
- Жемістер мен көкөністерді дайындаңыз, оларды жақсылап жуыңыз, жемістердің жеуге болмайтын бөліктерін алып тастаңыз, мысалы, сабақтары сияқтыларды, ананастан қатты қабығын кесіп алып

- тастаңыз, шие немесе шабдалы сүйектерін алып тастаңыз, жемістерді немесе көкөністерді жүктеу мойнына (2) оңай түсетіндей етіп, кесектерге кесіңіз.
- Шырынсыққыштың дұрыс жиналып жатқанына көз жеткізіңіз «шырынсыққышты құрастыру» тармағын қараңыз
- Шырын ағызуға арналған шүмектің (9) қақпағын ашыңыз.
- Қуаттандыру бауының ашасын электр розеткасына салыңыз.
- Ажыратқышты (11) күйіне «ON» орнату арқылы шырынсыққышты қосыңыз.
- Жемістерді немесе көкөністерді жүктеу мойнына (2), тек шнекті (4) айналдыру кезінде салыңыз және оларды итергішпен (1) аздап басыңыз.
- Жемістерді немесе көкөністерді жүктеу мойнына (2), шнек (4) айналған кезде салыңыз және оларды итергішпен (1) аздап басыңыз. Итергішті (1) қатты басу ұсынылмайды.
- Жұмыс кезінде тек жеткізу жинақталымына кіретін итергішті (1) қолданыңыз, жемістер мен көкөністерді жүктеу мойнына (2) саусақтарыңызбен немесе кез-келген басқа заттармен итеруге тыйым салынады.
- Торлы сүзгіні Сүзгі элементінің (2) күйін мәйекпен бітеліп қалуын мезгілімен тексеріп отырыңыз, қажет болған жағдайда қуат қосқышын (11) күйіне «OFF» орнатып, қуат бауының ашасын электр розеткасынан суырып алыңыз.

**Ескертпелер:**

- шырынсыққышты бөлшектемес бұрын, шнектің кері айналу функциясын (4) «R» «реверс» қосу ұсынылады, ол үшін қуат қосқышын (11) күйіне «R» орнатыңыз және оны 1-2 секунд бойы ұстап тұрыңыз, мұндай операция шнекті шешіп алуды жеңілдетеді;
- шнектің (4) «R» «реверс» кері айналу функциясын қоспас бұрын, қуат қосқышын (11) күйіне «OFF» орнатып, шырынсыққышты өшіру керек, шнектің (4) айналуы толық тоқтағанша күту керек (4), содан кейін қуат қосқышын (11) күйіне «R» ауыстыру керек.
- Жүктеу мойнын/қақпағын (2-3) сағат тіліне қарсы бұраңыз және оны шешіп алыңыз, шнекті (4) шығарып алыңыз, сепаратормен (6) торлы сүзгіні (5) шығарып алыңыз, шығарып алынған бөлшектерді (2-3, 4, 5, 6) жуып жіберіңіз, оларды шайыңыз және кері реттілікпен орнатыңыз («шырынсыққышты құрастыру» бөлімін қараңыз), қуат бауының ашасын электр розеткасына салыңыз, жұмысты жалғастыру үшін шырынсыққышты қосыңыз.

**Ескертпелер:**

- сондай-ақ, жұмыс тостағанын (8) және силиконды тығыздағышты (12) алдын ала шығарып алып сығындыларды шығаратын арнаны жуып жіберу ұсынылады;

- жұмыс тостағанын (7) орнатпас бұрын, силикон тығыздағыш (12) орнына қойылғанына көз жеткізіңіз (сур. 1).
- Егер сіз басқа жемістерден немесе көкөністерден шырынды алдыңғы жеміспен немесе көкөніспен араластырмай сығып алғыңыз келсе, шырын құятын шүмектің қақпағын (9) жабыңыз, жүктеу мойнына 1 немесе 2 стакан су құйыңыз, шырынсыққышты қосыңыз, біраз уақыт жұмыс істетіңіз, шырын ағатын шүмектің қақпағын ашыңыз, сұйықтық сыйымдылыққа құйылады және жұмыс тостағаны алдыңғы жемістерден немесе көкөністерден аздап тазартылады. Қажет болса, шырынсыққышты алдын-ала жуу процесін қайталаңыз.
- Әр түрлі шырындарды араластыру үшін, шырынсыққышты пайдалану кезінде сіз шырын төгетін шүмектің (9) қақпағын жаба аласыз, және басқа жемістерден немесе көкөністерден шырынды сығып алуды жалғастыра аласыз, содан кейін шүмектің (9) қақпағын ашып, шырынды сыйымдылыққа (13) құйып аласыз.
- Шырынды сыйымдылықтан құйған кезде немесе шырынсыққыштың жұмысы аяқталғаннан кейін шүмектің қақпағын (9) жабыңыз (13).
- Егер шырынсыққыштың жұмысы кезінде шнектің (4) айналуы баяуласса, қуат қосқышын (11) күйіне «OFF» орнатып, шырынсыққышты дереу өшіріңіз, шнектің (4) айналуы тоқтағаннан кейін, қуат қосқышын (11) күйіне «R» ауыстырыңыз және оны

ұстап тұрыңыз, бұл ретте шнектің (4) кері айналу функциясы қосылады.

- Бірнеше секундтан кейін қуат қосқышын (11) босатыңыз, қуат бауының ашасын электр розеткасынан суырып алыңыз, жүктеу мойны/қақпағын (2-3) сағат тіліне қарсы бұраңыз және алыңыз шнектің (4) баяу айналуына байланысты себептерді жойыңыз. Себебін жойғаннан кейін, жүктелетін мойынды/қақпақты (2-3) орнатыңыз және шырынсыққышпен жұмыс істеуді жалғастырыңыз.
- Шырынға арналған сыйымдылық (13) толған кезде, шырынсыққышты өшіріп, шырынды қолайлы сыйымдылыққа құйыңыз, сыйымдылықты (13) шырын құйылатын шүмектің (9) астына орнатыңыз.

**Ескертпе:** сыйымдылықтан (13) шырынды баяу құйыңыз, осы ретте көбік белгіш көбікті ұстап қалады, көбік белгішті шығарып алыңыз, сыйымдылықты (13) жуып жіберіңіз, көбік белгішті орнына қойыңыз (сур.8).

- Шырын ыдысын (14) толы ұстаңыз, шырын сыққышты өшіріңіз және шырынды ыдыстан (14) алыңыз.

**Ескертпе:** сығындыларды оңай шығарып алу үшін контейнерге (14) өлшемі сәйкес келетін пакет салып қою және сығындыларды пакетпен бірге алып тастау ұсынылады.

- Шырынсыққышты қолданғаннан кейін, жұмыс режимдерінің қуат қосқышы (11) күйіне «OFF» орнатып, қуат бауының ашасын электр розеткасынан суырып алыңыз.

## ҚЫЗЫП КЕТУДЕН ҚОРҒАНЫС

- Егер электр мотордың жұмыс температурасы асып кетсе, қызып кетуден қорғау іске қосылады, және шырынсыққыш өшеді.
- Егер жұмыс кезінде шырынсыққыш өздігінен сөніп қалса, жұмыс қуат қосқышы (11) күйіне «OFF» орнатыңыз, қуат бауының ашасын электр розеткасынан суырып алыңыз.
- Бөлмедегі температураға байланысты электр моторының салқындау уақыты 20-50 минут аралығында болуы мүмкін, электр мотор салқындағаннан кейін, қуат бауының ашасын электр розеткасына салыңыз және шырынсыққышты қосыңыз.
- Егер шырынсыққыш қосылмаса, біраз уақыт күтіңіз, егер өзгеріс болмаса, бұл басқа ақауды білдіруі мүмкін, бұл жағдайда авторланған сервистік орталыққа жүгініңіз.
- Шырынсыққыштың ұсынылған жұмыс істеу уақытын қадағалаңыз.

## ТАЗАРТУ ЖӘНЕ КҮТІМІ

- Шырынсыққышты тазалауды әрбір пайдаланғаннан кейін жүргізіп отырыңыз.
- Шырынсыққышты тазаламас бұрын, қуат бауының ашасын электр розеткасынан суырып алыңыз.
- Мотор блогын (10), қуат бауын және қуат бауының ашасын суға немесе кез-келген басқа сұйықтықтарға салуға тыйым салынады.



- Итергішті (1) жүктеу мойнынан (2) шығарып алыңыз.
- Толтырғыштың мойнын/қақпағын (2-3) сағат тіліне қарсы бұрап, алыңыз.
- Жұмыс тостағанынан (7) шнекті (4), торлы сүзгіні (5) және сепараторды (6) шығарып алыңыз.
- Жұмыс тостағанын (7) сағат тіліне қарсы бұраңыз және оны мотор блогынан (10) шешіп алыңыз.
- Шешіп алынған бөлшектерді (2-3, 4, 5, 6, 7), шырынға арналған сыйымдылықтарды (13), сығындыларға арналған сыйымдылықты (14), тығыздағыш сақинаны, бейтарап жуғыш зат қосылған жылы сумен жуып жіберіңіз, шайыңыз және құрғатыңыз.
- Шырынға арналған сыйымдылықты (13) жууға ыңғайлы болу үшін, көбік бөлгішті шығарып алыңыз, сыйымдылықты (13) жуып жіберіңіз, көбік бөлгішті орнына салыңыз (сур. 8).
- Жұмыс тостағанының (7) ішінде орналасқан силикон тығыздағышты (12) шығарып алыңыз және сығындылардың шығу арнасын тазалаңыз және жуып жіберіңіз.
- Силикон тығыздағышты (12), жұмыс тостағанының ішіне (7) орнатыңыз (сур. 1).
- Торлы сүзгіні (5) және басқа да қиын жететін жерлерге, қылшақшаны (15) пайдаланыңыз.
- Шырынсыққыштың алынбалы бөлшектерін жуу үшін ыдыс жуғыш машинаны пайдалануға тыйым салынады.

- Мотор блогын (10) сәл дымқыл матамен сүртіңіз, содан соң құрғатып сүртіңіз.
- Шырынсыққышты тазалау үшін губкаларды, абразивті тазалағыш заттарды немесе еріткіштерді пайдалануға тыйым салынады.
- Бояғыш қасиеттері бар жемістер мен көкөністер, мысалы, қара бүлдірген, сәбіз немесе қызылша, шырынсыққыштың бөлшектерін бояуы мүмкін, бұл жағдайда өсімдік майына малынған құрғақ шүберекті қолдануға болады, бөлшектерді тазалағаннан кейін оларды жұмсақ жуғыш зат қосылған жылы сумен жуып жіберіңіз, шайыңыз және құрғатыңыз.

#### **САҚТАЛУЫ**

- Шырынсыққышты сақтауға алып қоярдан бұрын, оны тазалап алыңыз.
- Шырынсыққышты салқын және құрғақ жерде, балалардың және мүмкіндігі шектеулі адамдардың қолы жетпейтін жерде сақтаңыз.

#### **ЖИНАҚТАЛЫМЫ**

- Шырынсыққыш – 1 дана.
- Нұсқаулық – 1 дана.

#### **ТЕХНИКАЛЫҚ СИПАТТАМАЛАРЫ**

- Электр қуаттандыруы: 220-240 В, ~ 50-60 Гц
- Номиналдық тұтыну қуаты: 130 Вт

- Шырын жинауға арналған сыйымдылықтың көлемі – 1л
- Сығындыларға арналған контейнердің көлемі – 1 л
- Тиеу тесігінің диаметрі – 75 мм

## ПАЙДАҒА АСЫРУ



Қалдықтардың бақыланбай пайдаға асыруынан қоршаған ортаға немесе адамдардың денсаулығына зиян келтірмеу үшін, құралдың немесе қуаттандыру элементтерінің (егер жинақталымға кірсе) қызмет ету мерзімі аяқталғаннан кейін оларды өдеттегі тұрмыстық қалдықтармен бірге тастамаңыз, аспапты және қуаттандыру элементтерін одан әрі пайдаға асыру үшін арнайы пункттерге жіберіңіз.

Бұйымдарды пайдаға асыру кезінде пайда болатын қалдықтар белгіленген тәртіп бойынша келесі пайдаға асырылатын тәртіппен міндетті түрде жинауға жатады.

Берілген өнімді пайдаға асыру туралы қосымша ақпаратты алу үшін жергілікті муниципалитетке, тұрмыстық қалдықтарды пайдаға асыру қызметіне немесе берілген өнімді сатып алған дүкенге хабарласыңыз.

Өндіруші алдын-ала ескертусіз, құрылғының дизайнын, конструкциясы мен оның жалпы жұмыс ұстанымдарына әсер етпейтін техникалық сипаттамаларын өзгерту құқығын өзіне қалдырады.

**Құрылғының қызмет көрсету мерзімі — 3 жыл**

**Өндірілген күні сериялық нөмірде көрсетілген.**

**Қандай да бір ақаулықтар табылған жағдайда дереу авторландырылған сервистік орталыққа жүгіну керек.**

Hergestellt für «Ruste GmbH»,  
Berggasse 18/18, 1090 Wien,  
Österreich

Produced for «Ruste GmbH»,  
Berggasse 18/18, 1090 Vienna, Austria

Изготовлено по заказу Русте Гмбх,  
Бергассе 18/18, 1090 Вена, Австрия

Уполномоченное изготовителем  
лицо: ООО «Грантэл»  
143912, МО, г. Балашиха,  
ш. Энтузиастов, вл. 1А  
т.: +7 (495) 297-50-20,  
e-mail: info@brayer.su

Made in China/Произведено в Китае



brayer.ru

