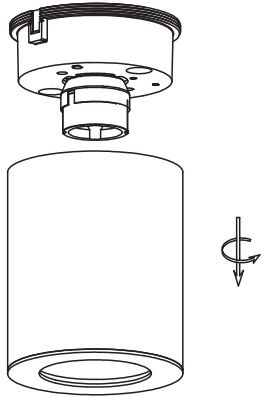
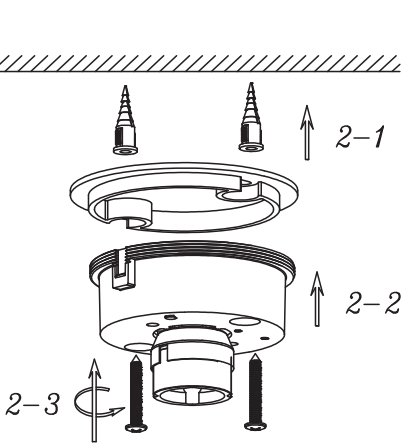

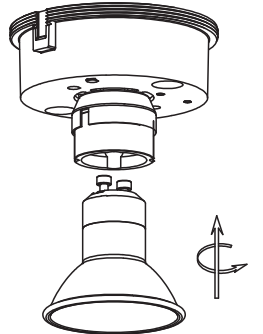
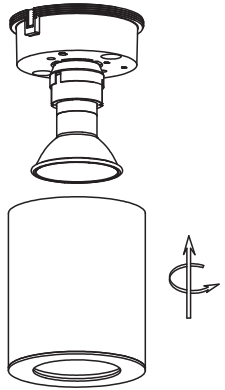
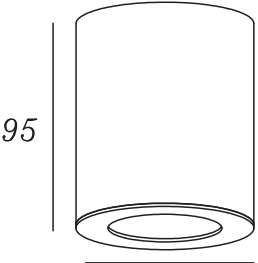
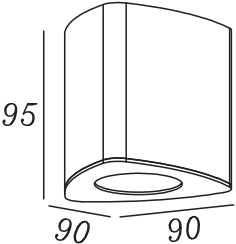


INSTALLATION INSTRUCTION ODEON LIGHT

<p>①</p> 	<p>②</p> 	<p>1x50W</p> <p>GU10</p> 
<p>③</p> 	<p>④</p> 	<p>3570/1C 3571/1C 3572/1C</p>  <p>95</p> <p>φ76</p> <p>3573/1C 3574/1C 3575/1C</p>  <p>95</p> <p>90 90</p>