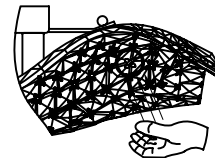
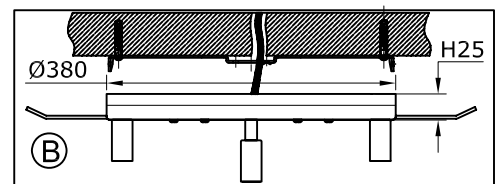
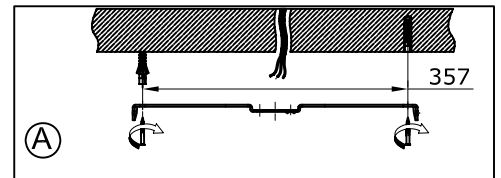
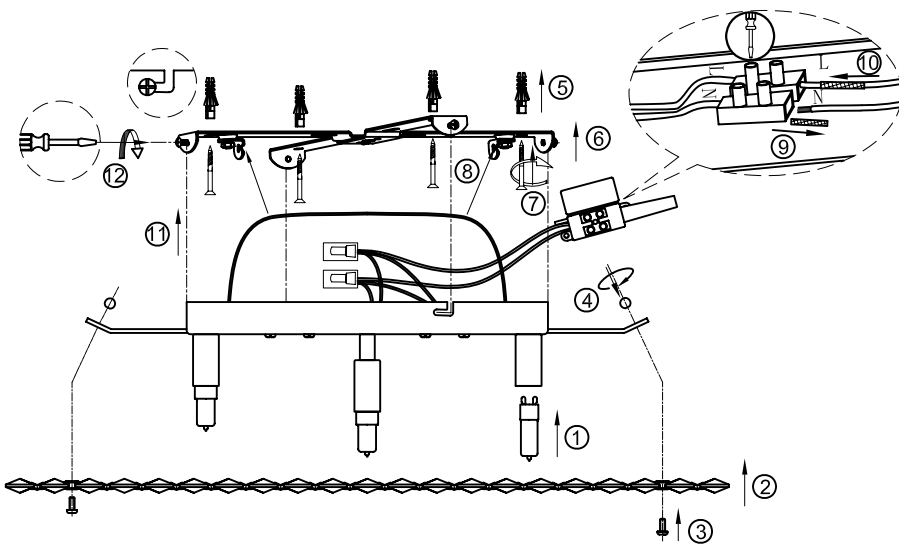


ODEON LIGHT INSTALLATION INSTRUCTION

Item No.: 2599/9C



be careful!



FEATURE

- 220-240V~50Hz
- Lamp Type:G9 9 × MAX 42W

The lamp can be only indoor used

If in doubt,consult a qualified electrician or contact your retail outlet. Ensure that you always install the fitting to the relevant regulations.Certain regulations indicate that lighting fittings should be installed by a qualified electrician.

