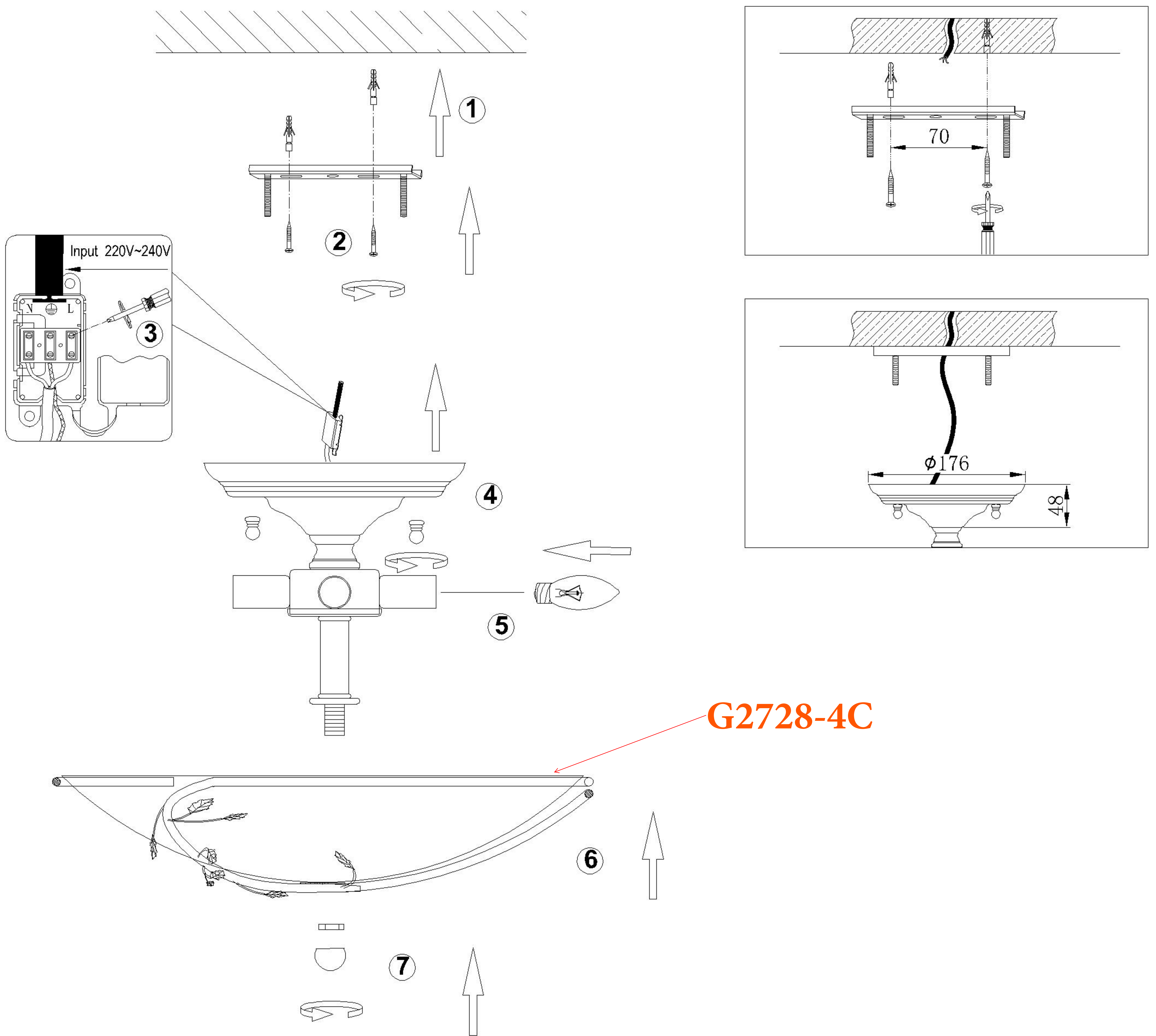
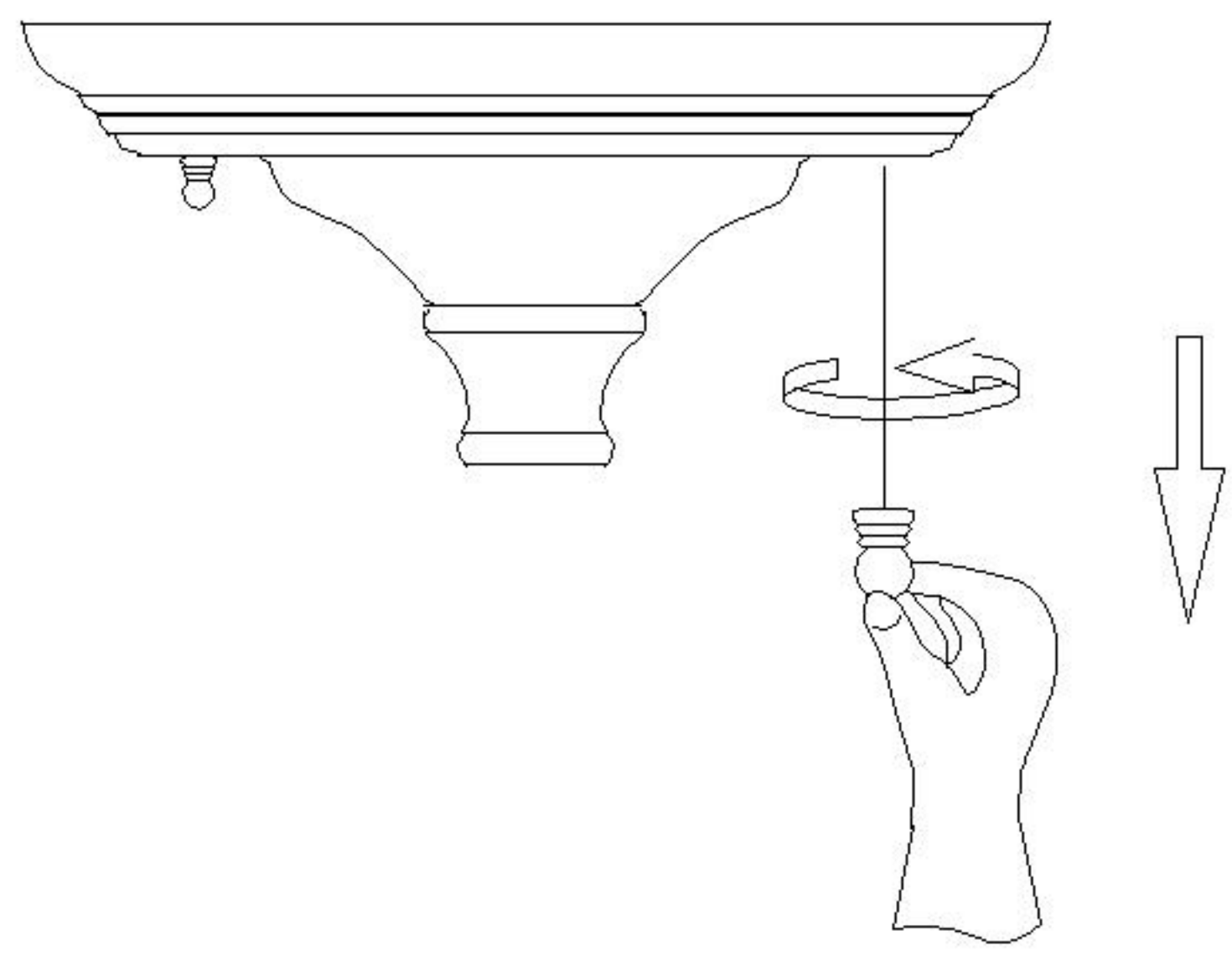


# INSTALLATION INSTRUCTION ODEON LIGHT ART . 2728/4C

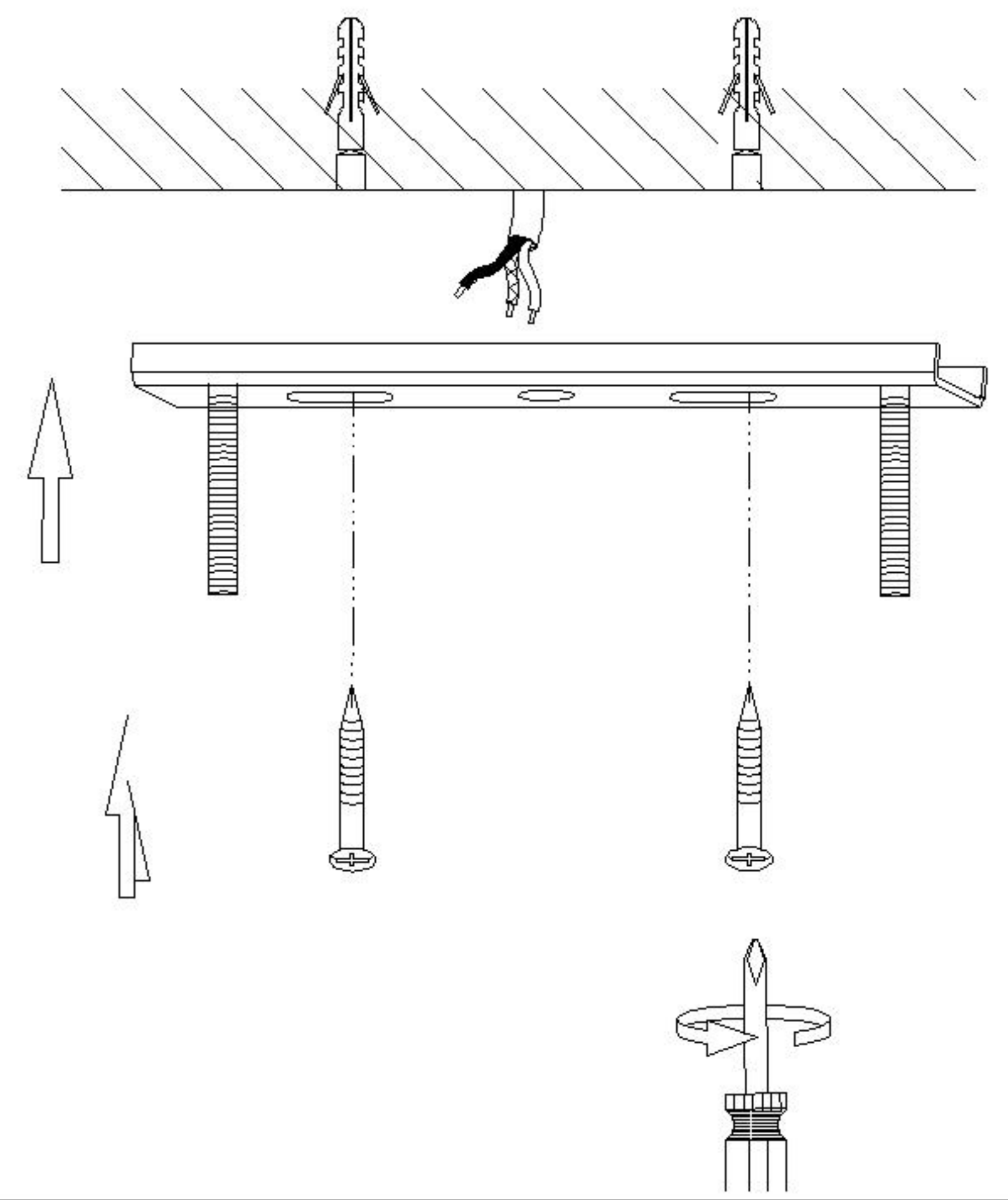




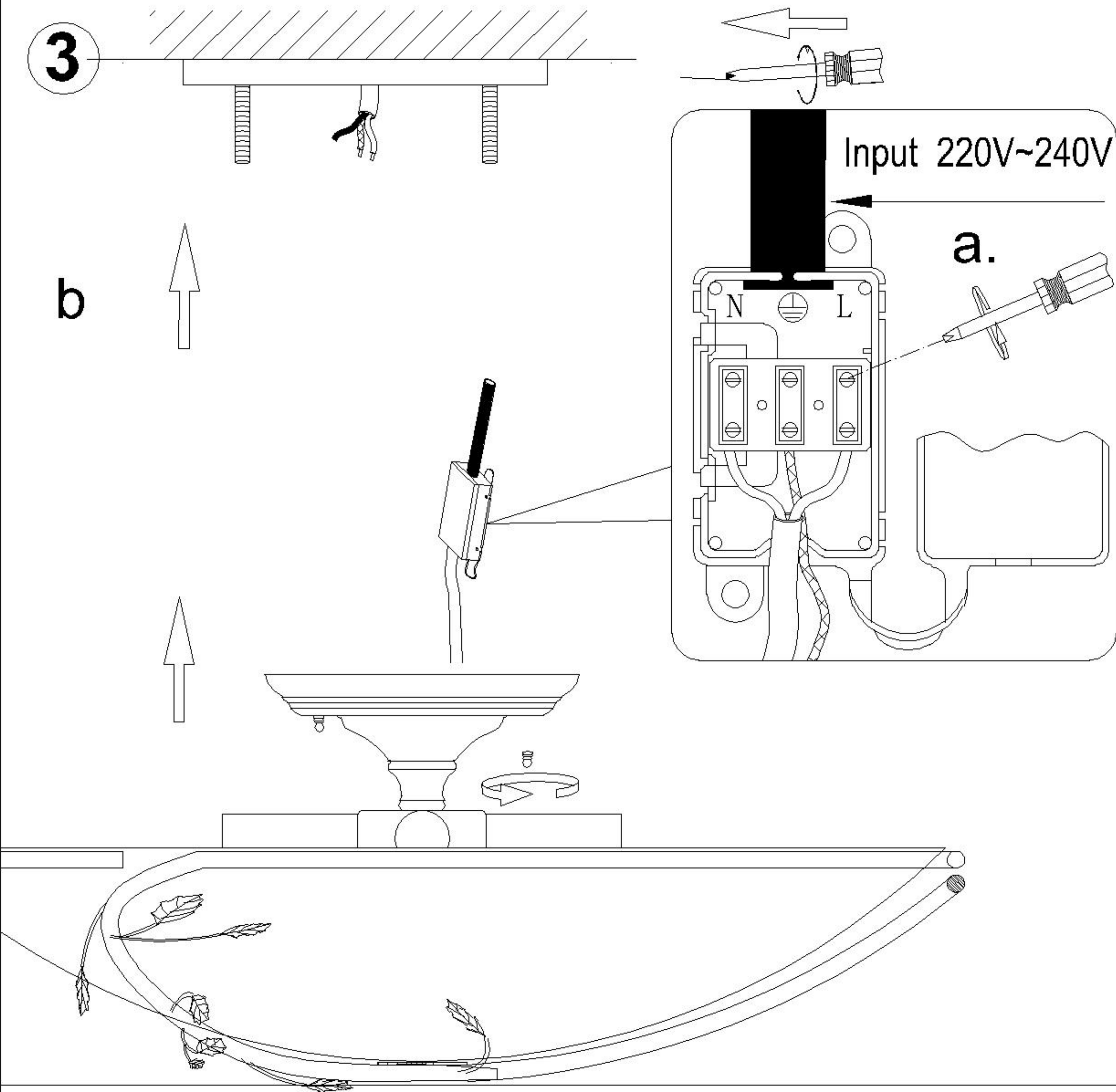
1



2



3



4

