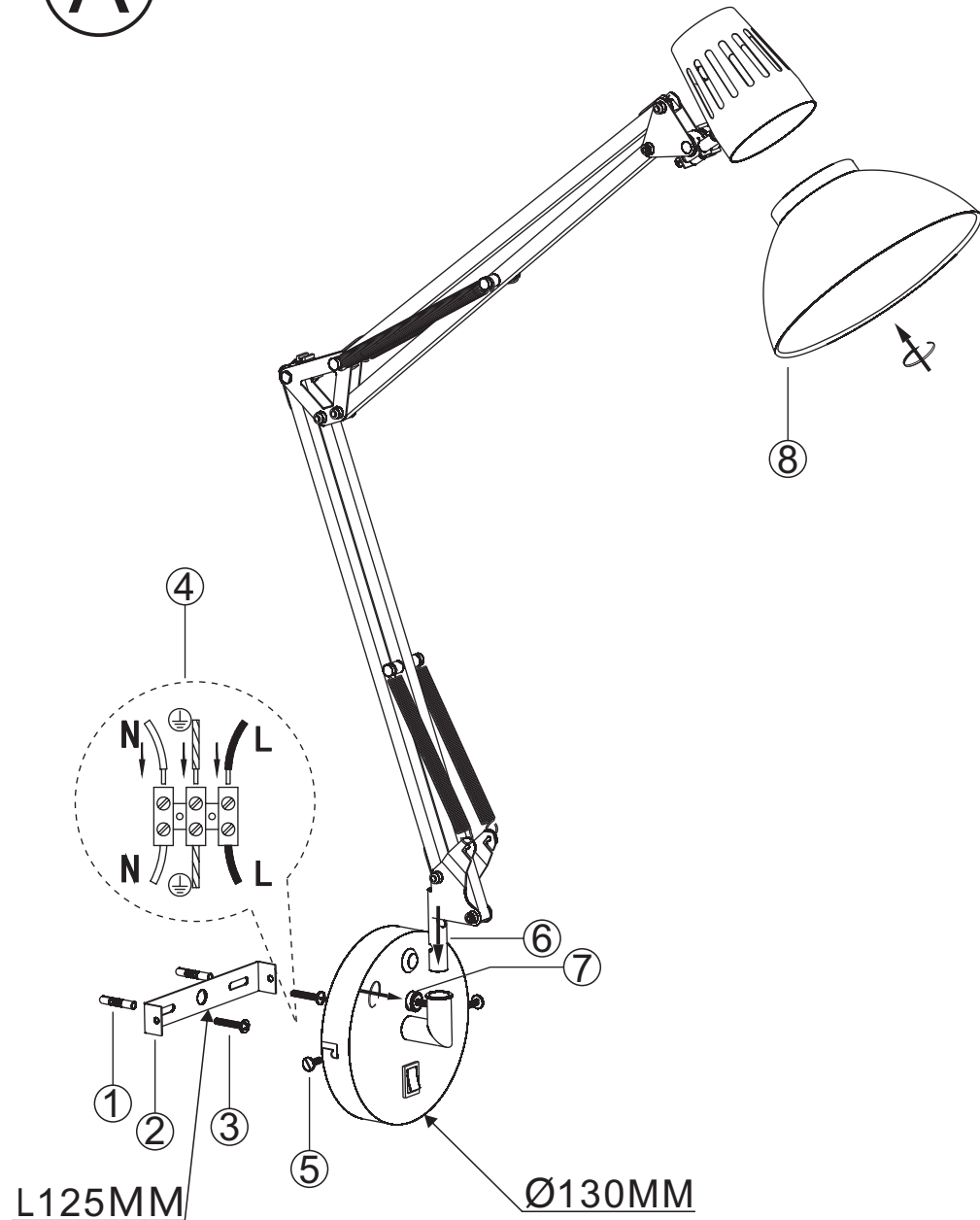


# INSTALLATION INSTRUCTION ODEON LIGHT

## ART.3317/1W,3318/1W,3344/1W

A



B

