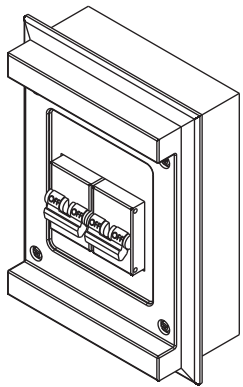


# INSTALLATION INSTRUCTION ODEON LIGHT

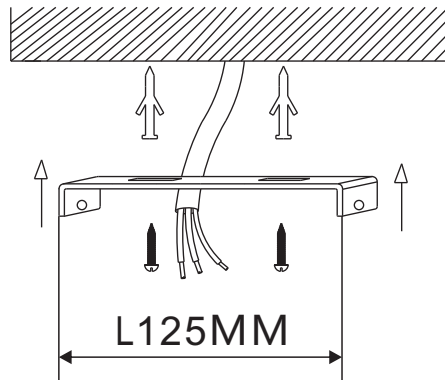
## ART.3319/1,3348/1,3320/1

①

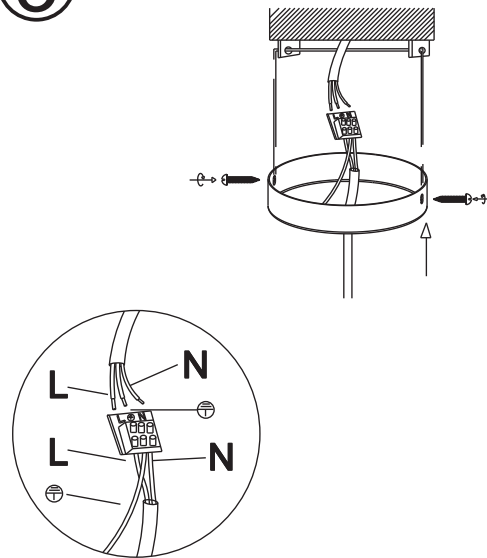
**OFF**



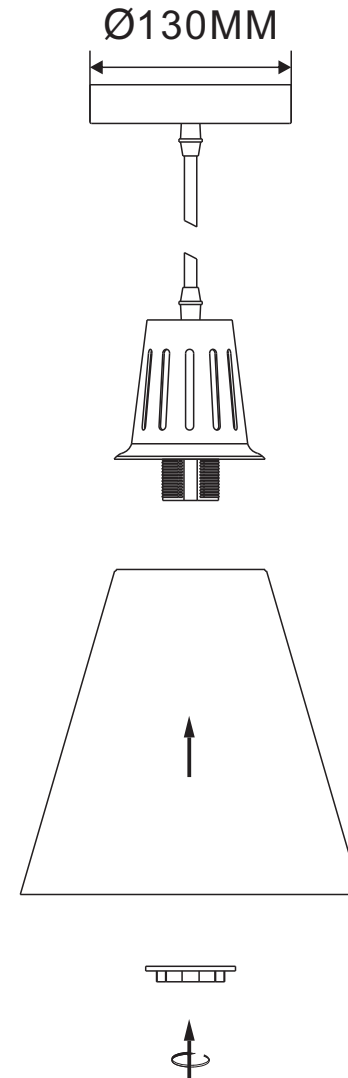
②



③



④



⑤

**ON**

