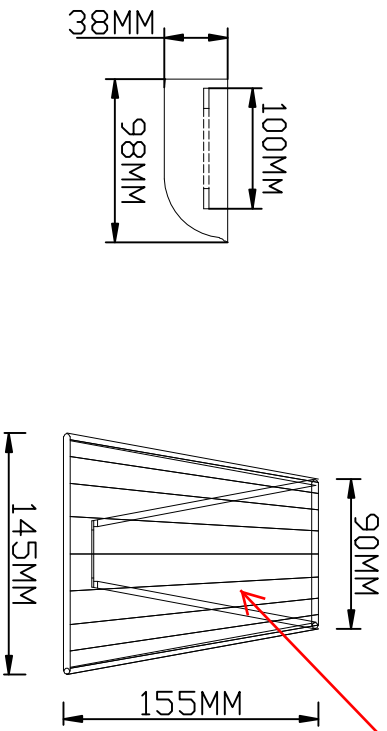
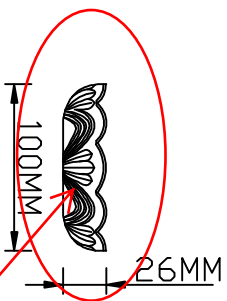


# INSTALLATION INSTRUCTION ODEON LIGHT ART. 3390/1W

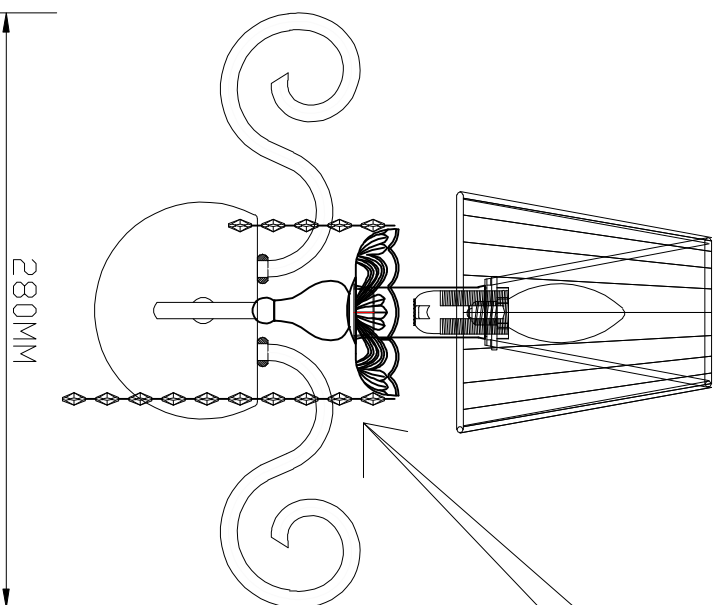
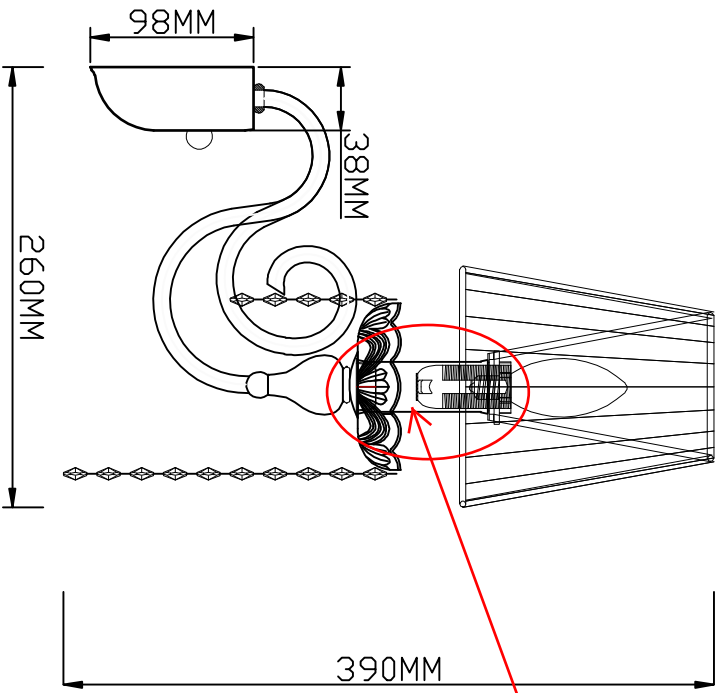
**A3390**



**G3390**



**T3390**



1pcs	a	1pcs	b	1pcs	c	1pcs	d	1pcs	e

