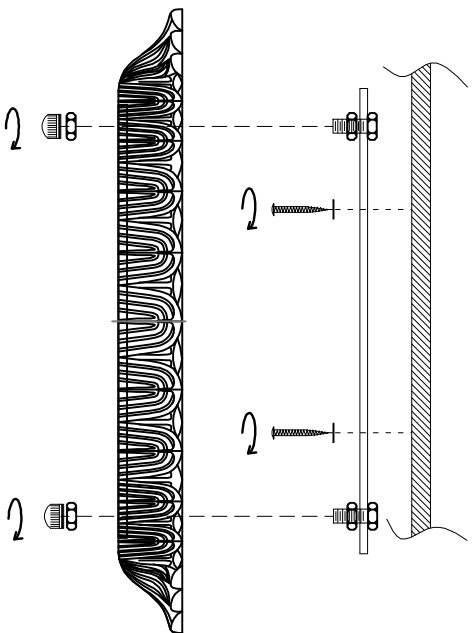
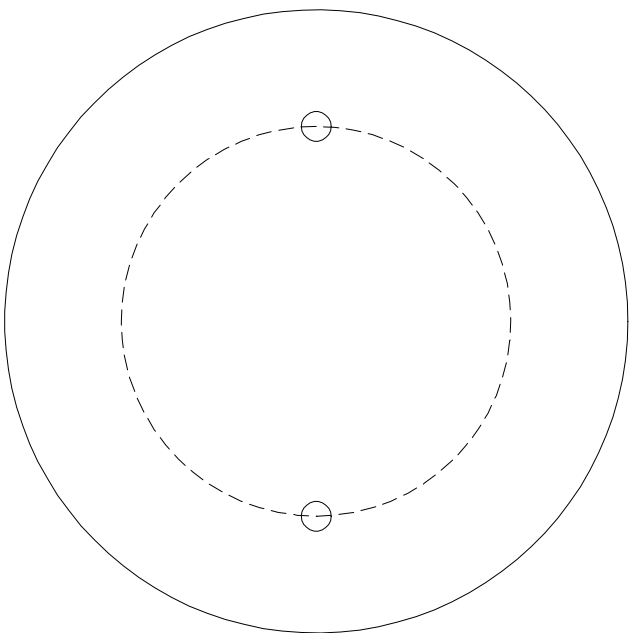
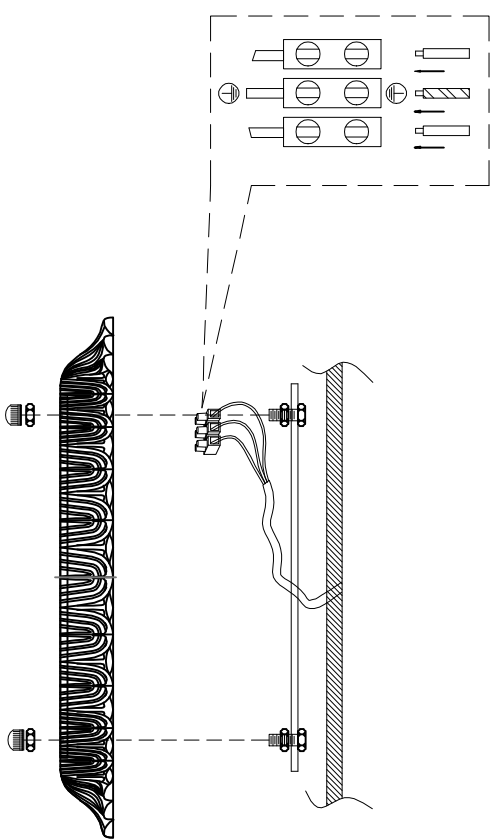


# INSTALLATION INSTRUCTION ODEON LIGHT ART. 3395/6C



**A**



**B**