



FLAT & SQUARE

EN	ELECTRIC WATER HEATER Enamelled steel tank
UA	ЕЛЕКТРИЧНІ ВОДОАГРІВАЧІ Емальований сталевий бак
RU	ЭЛЕКТРИЧЕСКИЙ ВОДОАГРЕВАТЕЛЬ Эмалированный стальной бак
ES	TERMO ELÉCTRICO Cuba de acero vitrificada
P	AQUECEDOR ELÉTRICO DE ÁGUA Tanque de aço esmaltado
IT	SCALDACQUA ELETTRICO Serbatoio in acciaio smaltato
PL	ELEKTRYCZNY PODGRZEWACZ WODY Emaliowany zbiornik stalowy

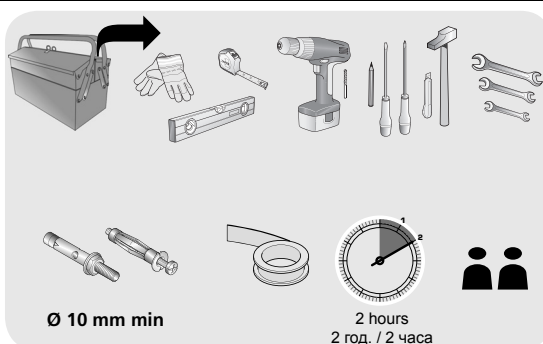
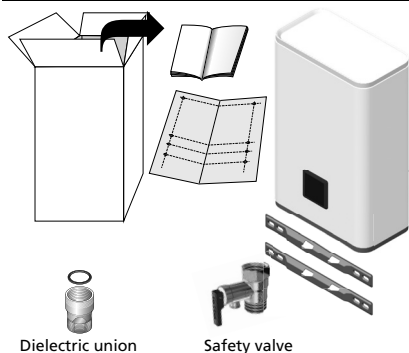
N° :/...../20.....

U0610366




1. DESCRIPTION/ОПИС/ОПИСАНИЕ

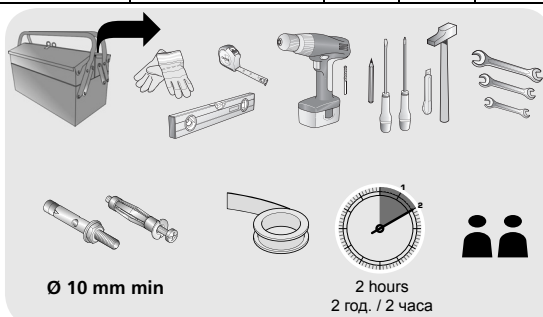
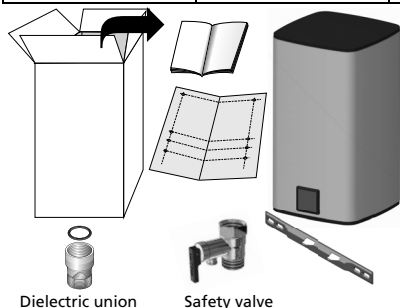
1.1. Flat range/Плоская модель/Плоская модель

Model Модель	Max Power Output Максим. Потужність/ Максим.мощность (W) (Вт)	Voltage Напруга/ Напряжение (V~) (В)	Water Connexions Підключення води Подсоедине-ние воды			 230
MP 025 F 220-2E-BL	1 000	230	1/2"	p. 3/4	p. 7	p. 8
MP 040 F220-2E-BL	1 500	230	1/2"	p. 3/4	p. 7	p. 8
MP 065 F220-2E-BL	1 500	230	1/2"	p. 3/4	p. 7	p. 8
MP 080 F220-2E-BL	1 500	230	1/2"	p. 3/4	p. 7	p. 8



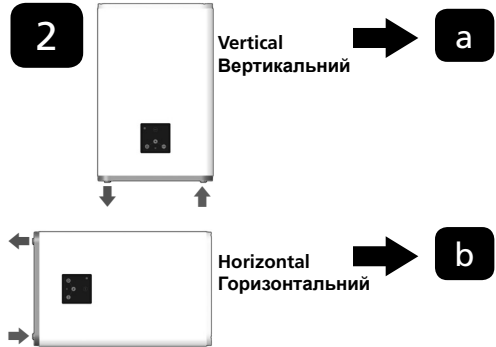
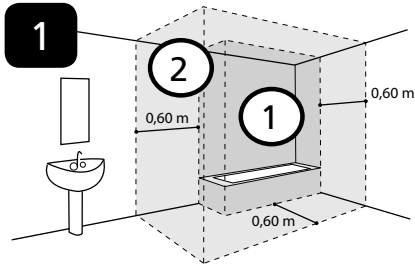
1.2. Square range/Квадратна модель/Квадратная модель

Model Модель	Max Power Output Максим. Потужність/ Максим.мощность (W) (Вт)	Voltage Напруга/ Напряжение (V~) (В)	Water Connexions Підключення води Подсоедине-ние воды			 230
030 L Access S3	1 500	220-240	1/2"	p. 5	p. 7	p. 8
050 L Access S3	1 500	220-240	1/2"	p. 5	p. 7	p. 8
075 L Access S4	1 500	220-240	3/4"	p. 6	p. 7	p. 8
100 L Access S4	1 500	220-240	3/4"	p. 6	p. 7	p. 8
150 L Access S4	1 500	220-240	3/4"	p. 6	p. 7	p. 8

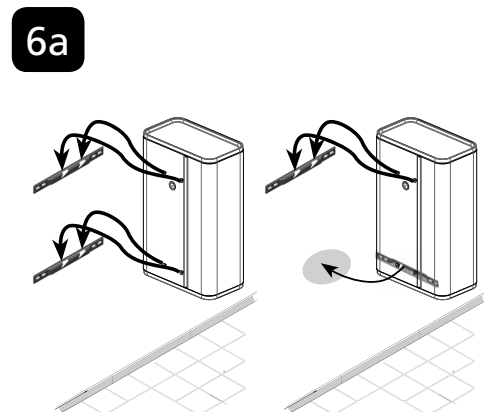
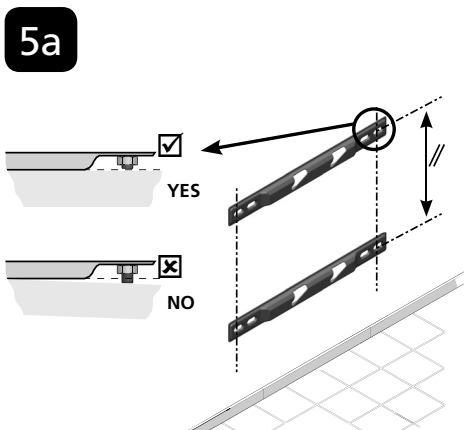
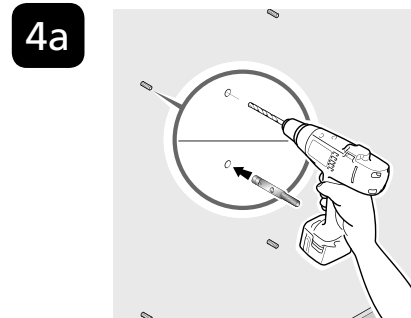
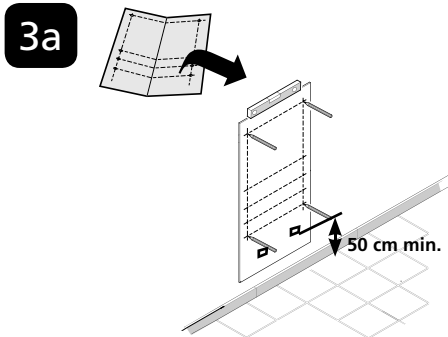


2. WALL MOUNTED/ВСТАНОВЛЕННЯ НА СТІНІ/УСТАНОВКА НА СТЕНЕ

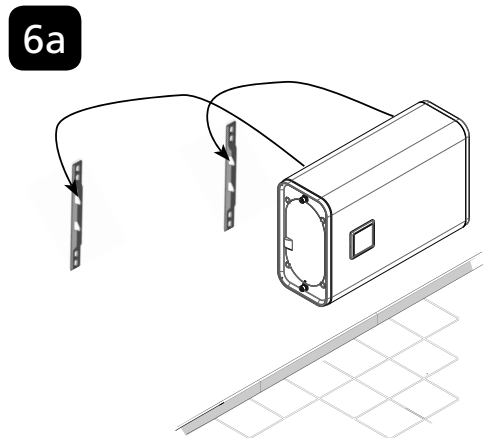
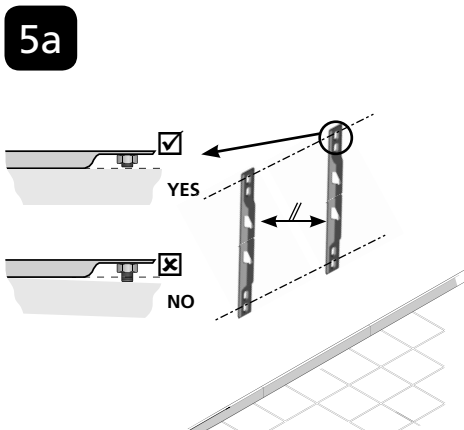
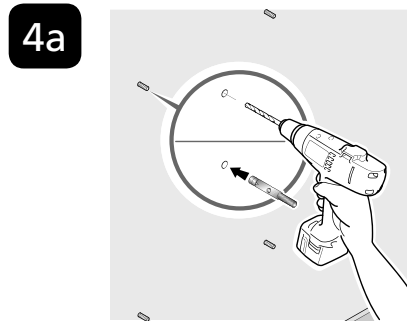
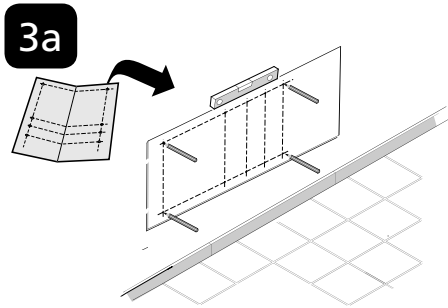
2.1. Flat range/Плоска модель/Плоская модель



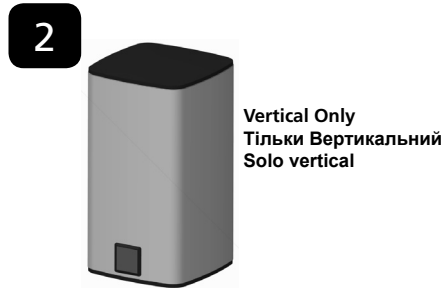
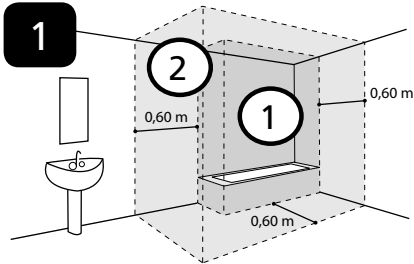
2.1.1. Vertical case/Вертикальний монтаж/Вертикальный монтаж



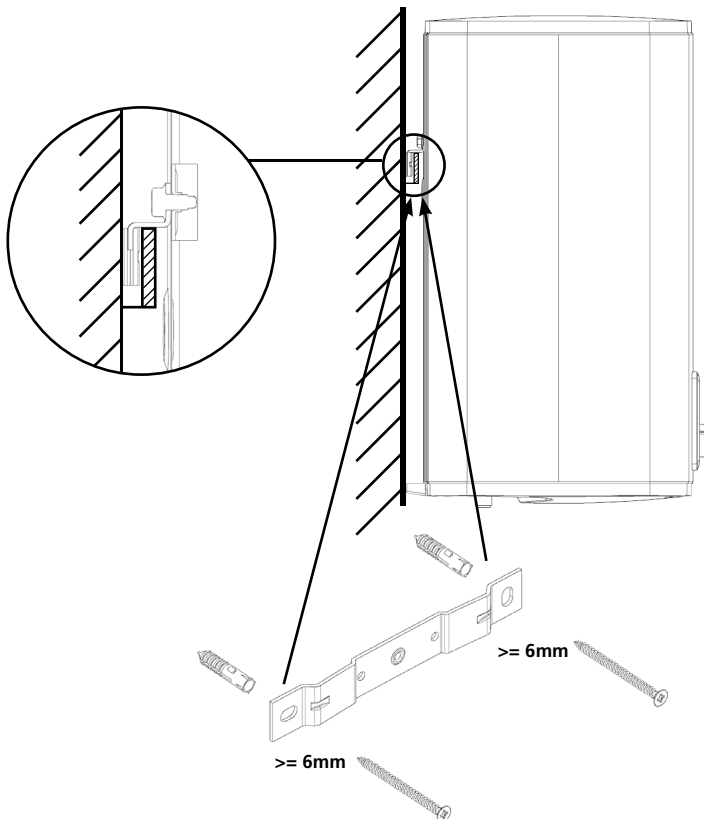
2.1.2. Horizontal case/Горизонтальний монтаж/Горизонтальный монтаж

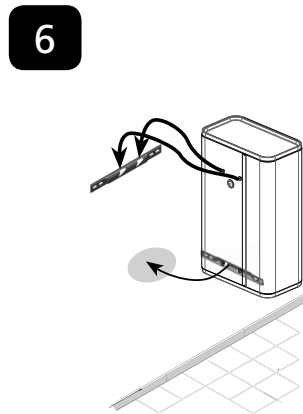
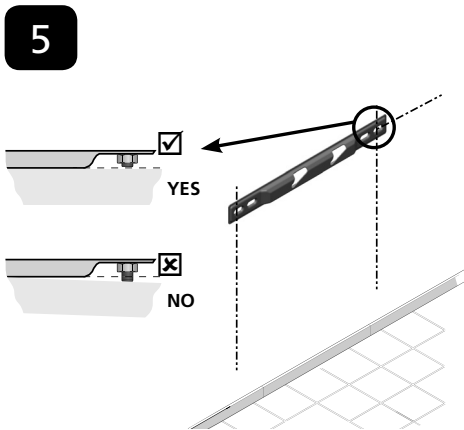
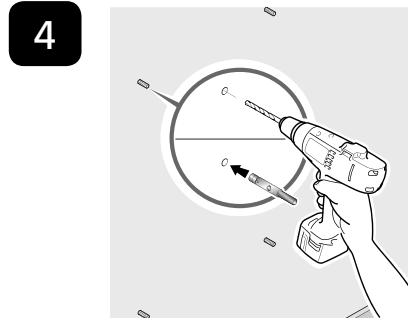
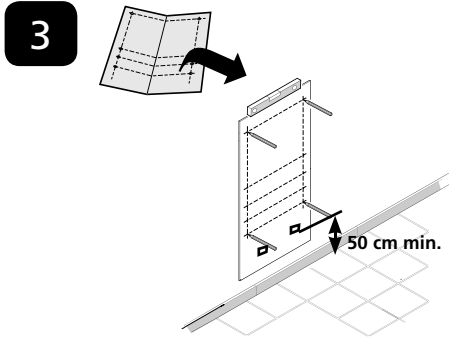


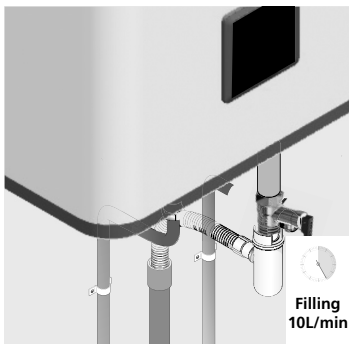
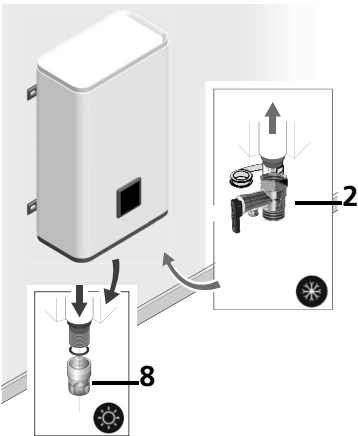
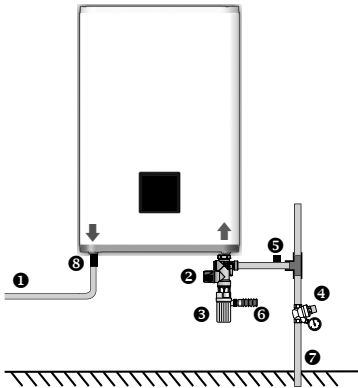
2.2. Square range, ONLY VERTICAL/Квадратна модель, ТІЛЬКИ ВЕРТИКАЛЬНИЙ МОНТАЖ/
Квадратная модель, ТОЛЬКО ВЕРТИКАЛЬНЫЙ МОНТАЖ/



2.2.1. 30L – 50 L S3, ONLY VERTICAL/ 30Л – 50Л S3, ТІЛЬКИ ВЕРТИКАЛЬНО/
30Л – 50Л S3, ТОЛЬКО ВЕРТИКАЛЬНО



**2.2.2. 75L -100L - 150 L S4, ONLY VERTICAL/75Л-100Л-150Л S4, ТІЛЬКИ ВЕРТИКАЛЬНО/
75Л-100Л-150Л S4, ТОЛЬКО ВЕРТИКАЛЬНО**

**EN**

1. Hot water tube
2. Safety relief valve
3. Funnel
4. Pressure reducer recommended if pressure > 5 bar 0,5 MPa (5 bars)
5. Stop valve
6. Drain to sewage
7. Cold water pipe
8. Dielectric union

UA

1. Труба гарячої води
2. Запобіжний клапан
- 3-6. Дренажна трубка
4. Редуктор тиску (при тиску більш 0,4 МПа)
5. Запірна арматура
6. Каналізаційна трубка
7. Труба холодної води
8. Діелектрична муфта

RU

1. Патрубок выхода горячей воды
2. Предохранительный клапан
3. Дренажная трубка
4. Клапан редукции давления (Устанавливается при давлении свыше 5 бар в системе (0,5 МПа))
5. Запорный кран
6. Выход в канализацию
7. Труба подачи холодной воды
8. Диэлектрическая муфта

ES

1. Salida de agua caliente
2. Grupo o válvula de seguridad
3. Embudo Sifónico
4. Reductor para presión superior a 5 bares (0,5 MPa)
5. Válvula de corte
6. Vaciado – Desagüe
7. Conducto de agua fría
8. Manguito dieléctrico

P

1. Saída de água quente
2. Válvula de segurança
3. Funil
4. Redutor de pressão - recomendado se pressão > 0,5 MPa (5 bars)
5. Válvula de corte
6. Drenagem - esgoto
7. Entrada de água fria
8. Junta dielétrica

IT

1. Condotta acqua calda
2. Valvola di sicurezza
3. Imbuto a sifone
4. Riduttore di pressione consigliato se la pressione > 0,5 MPa (5 bars)
5. Valvola d'intercettazione
6. Scarico acque reflue
7. Condotta acqua fredda
8. Giunto dielettrico

PL

1. Wyjście ciepłej wody
2. Zespół zaworów bezpieczeństwa
3. L ejek-Syfon
4. Reduktor ciśnienia większego niż bara (0,5MPa)
5. Zawór odcinający
6. Opróżnianie
7. Przewód zimnej wody
8. Złączka dielektryczna

4.1. Flat range/Плоская модель/Плоская модель/**Exit tank probe**

Датчик вихідного баку (Black color / Чорний)
Датчик вихідного баку (Black color/ Чёрный)

PCB
Плата/ Плата

Entry tank probe

Датчик вхідного баку/ Датчик входного бака
White/Білий/Белый/(Flat30)
Green/Зелений/Зелёный/ (Flat 50)
Red/Червоний/Красный/ (Flat 80)
Blue/Синій/Синий/ (Flat 100)

HMI connector
Роз'єм/ Разъём/

Hot water (Red Ring)

Гаряча вода (Червоне кільце)
Горячая вода (Красное кольцо)

Cold water (Blue Ring)

Холодна вода (Синє кільце)
Холодная вода (Синее кольцо)

Heating element**Exit Tank (Red connections)**

Нагрів. елемент вихідного баку (Червоні)
Нагрев.элемент выходного бака (Красные)

Thermal cut-out with double probe

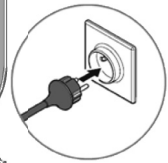
Термозапобіжник з подвійн. датчиком/ Термopредохранитель с двойным датчиком/

Power cable

Силовий шнур
Силовой шнур

Heating element**Entry Tank (White connections)**

Нагрів.елемент вхід.баку (Білі конектори)
Нагрев.элемент вход.бака (Белые конекторы)

**4.2. Square range/Квадратна модель/Квадратная модель/****Regulation Probe**

Датчик температури
Датчик температуры

Thermal cut-out

Термозапобіжник
Термopредохранитель

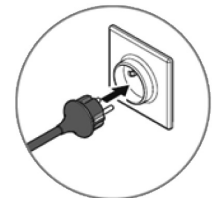
HMI

Ceramic element

Керамічний елемент

Regulation Thermostat

Термостат управління
Термостат управления

**Hot water (Red Ring)**

Гаряча вода(червоне кільце)
Горячая вода(красное кольцо)

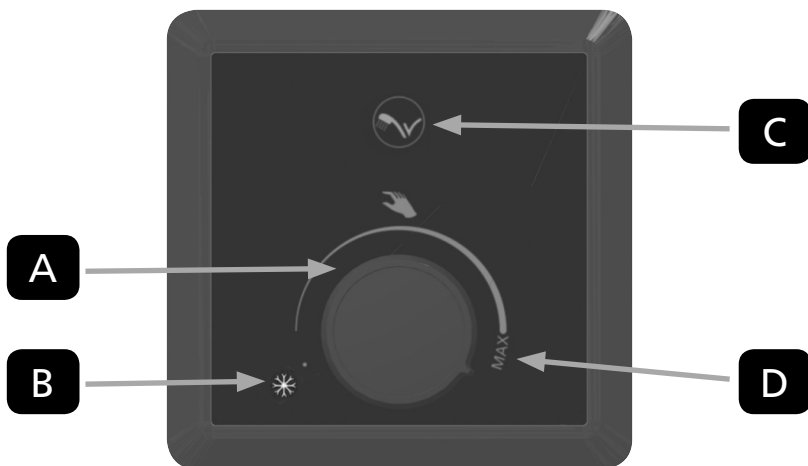
Cold water (Blue Ring)

Холодна вода(синє кільце)
Холодная вода(синее кольцо)

Power cable

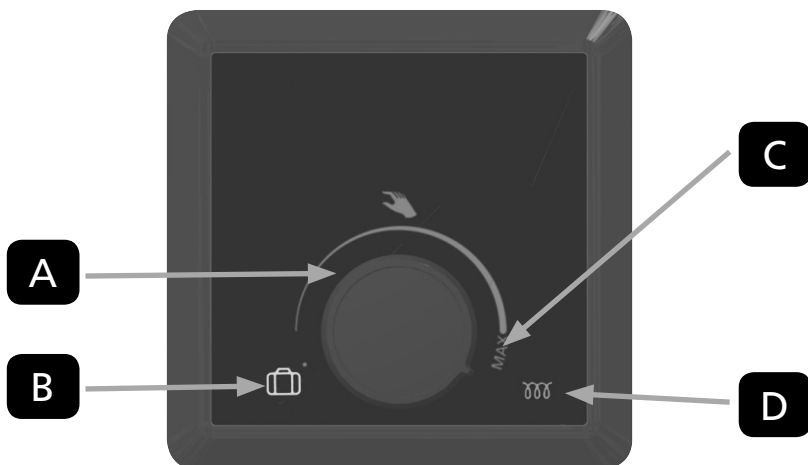
Силовий шнур
Силовой шнур

5.1. Flat range/Плоская модель/Плоская модель/



- A. Manual setting knob/**Ручне налаштування/Ручная настройка/
B. Frost free mode/Ручне налаштування/ Режим Антимерзання/
C. Shower ready indicator/Індикатор «Душ готовий»/Індикатор «Душ готов»/
D. Maximum position of temperature/Максимальна температура/Максимальная температура/

5.1. Square range/Квадратна модель/Квадратная модель/



- A. Manual setting knob/**Ручне налаштування/Ручная настройка/
B. Frost free mode/Ручне налаштування/Режим Антимерзання/
C. Heating light indicator/Індикатор нагріву/Індикатор нагрева/
D. Maximum position of temperature/Максимальна температура/Максимальная температура/

GENERAL WARNINGS



This device is not intended for use by persons (including children) with physical, sensory or mental disability, or by persons lacking experience or knowledge, unless they have received from a person in charge of their safety adequate supervision or preliminary instructions on how to use the device. Children should be supervised to ensure that they do not play with the appliance.

This unit can be used by children of not less than 8 years and people with reduced physical, sensory or mental capabilities or without experience or knowledge if they are properly supervised or if the instructions for using the device safely have been given and if the risks are taken into account. Children must not play with the device. Cleaning and maintenance must not be done by children without supervision.

CAUTION! Heavy item, handle with care:

1. Install the appliance in a room which is protected from frost. If the appliance is damaged because the safety device has been blocked, it is not covered by guarantee.
2. Make sure that the wall on which the appliance is mounted can support the weight of the appliance when filled with water.
3. If the appliance is to be fitted in a room or location where the ambient temperature is higher than 35°C, provide sufficient ventilation.
4. When installed in a bathroom, do not install the appliance in volumes V0 and V1 (See fig. 1, p.3 or p. 5). If the water heater is to install above living space, fit a retaining tank with drain to the sewer system. Place the water heater in a place with easy access.
5. If PER pipes are used, the installation of a thermostatic regulator on the output pipe of the device is strongly recommended. It will be set according to the performance of the material used.
6. Installation of a vertical or horizontal wall mounted device: To allow the replacement of the heating element leave a free space of 500mm between the tube ends and the wall or fixed furniture.
7. Switch off the power before removing the cover, to avoid any risk of injury or electric shock.
8. The installation must be equipped, upstream of the appliance, with a bipolar cut-out device (fuse, breaker switch) respecting local regulations (30 mA earth-leakage breaker).
9. If the supply cord is damaged, it must be replaced by a special cord or assembly available from the manufacturer or the after sales service.

GENERAL WARNINGS

10. Mandatory installation of a safety device in a frost-free location (or any other new device which limits the tank pressure) to 0.7 or 0.9 MPa (7 or 9 bar) according to the nominal pressure, with a size of 1/2» in the input of the water heater, respecting the local regulations
11. Operate regularly the discharge of safety device to prevent scaling and check that it is not blocked.
12. Hydraulic accessories should not be located between the safety valve and the cold-water inlet. A pressure reducer (not supplied) is required when the water supply pressure exceeds 0,5 MPa (5 bar) and will be fitted on the main supply.
13. Connect the safety device to an unpressurised outlet pipe in a frost-free location, with a continuous slope to evacuate water during heating up or draining the water heater.
14. The pipes used must support 1 MPa (10 bar) and 100 ° C.
15. To drain the device: Switch off the power and the supply of cold water, open the hot water faucets and manipulate the safety valve.
16. The products described in this manual are subject to changes at any time to be in accordance with technology and standards. The devices comply with Electromagnetic Directive 2014/30/UE, Low Voltage Directive 2014/35/UE, Directive 2011/65/UE for RoHS and Regulation 2013/814/UE supplementing Directive 2009/125/EC for ecodesign.
17. Do not dispose your water heater in the garbage, but hand it to a place assigned for this purpose (collection point) where it can be recycled. 
18. This product is intended for use at a maximum altitude of 3000m.
19. Always connect the earth conductor of the cable to the earth ground or connect the earth conductor to the appropriate terminal identified by the symbol .
20. The instruction book of this product is available by contacting the after-sales service.

1. PRODUCT MOUNTING

See "General Warnings" N°.1 to N°.6

For product installation, refer to drawings section 2 page 3 to page 6.

2. HYDRAULIC CONNECTION

See "General Warnings" N°.10 to N°.14

For hydraulic connection, refer to drawings section 4 page 8.

- It is necessary to clean the supply piping prior to the hydraulic connection. The connection to the hot water outlet is to be carried out with a cast iron or steel sleeve or a dielectric connector, to avoid corrosion of the pipe (direct contact iron / copper). The use of brass fittings is prohibited.
- Always install a new safety device on the cold water pipe of the water heater, which comply with the standards (EN 1487 in Europe), with a pressure of 0.7 or 0.9 MPa (7 or 9 bars) according to the nominal pressure, with diameter adapt : 1/2" or 3/4" according with the range of product.
- **CAUTION:** Do not use the safety valve included in this packaging in France (home country and French overseas)

3. ELECTRICAL CONNECTION

For electrical connection, refer to drawings section 4 page 8.

- The water heater can be connected and operated only on AC 230V. Connect the heater with a rigid cable with conductors 2,5mm². Use a standardised channeling (rigid or flexible conduit) until the calibrated housing cover.
- Directly connect devices with a cable or plug. In France, a product with plug is strictly prohibited and cannot be sold and installed.
- Always connect the earth conductor of the cable to the earth ground wire or connect the earth conductor to the appropriate terminal identified by the symbol . This connection is compulsory for safety reasons. The earth wire green - yellow must be longer than those of phases. The installation must be equipped, upstream of the appliance, with a bipolar cut-out device (minimum contact distance of 3 mm fuse, breaker switch). In the case where hydraulic connexions are in insulated material, electrical circuits shall be protected by a differential circuit breaker 30 mA adapted to local standards.



Thermal circuit breaker (see drawings section 4 page 8): All our products are equipped with a thermostat with thermal circuit breaker and manual resetting which cuts off the power supply to the water heater in case of overheating. If the safety trips:

- switch off the power before taking any further action,
- remove the cover,
- check the electrical connections,
- reset the thermal circuit breaker



If the circuit breaker keeps tripping, replace the thermostat. Never short circuit the safety cut out or the thermostat. Connect the power supply only via the terminal.

- **CAUTION:** NEVER SWITCH ON THE WATER HEATER WITHOUT WATER: Models with an electric heating element will be certainly damaged.
- Fill the tank completely. Before powering up, open the hot water taps, drain the pipes in order to empty the air.
- Check the tightness of the tubes and of the flange seal under the plastic cover. In case of leaking tighten moderately. Check the operating of the hydraulic components and of the safety valve.
- Turn the power on. After 45 to 60 minutes, depending of the capacity of the device, the water should drip from the drain. This is normal and due to the expansion of water. Check connection leaks and seal. During heating and according to the water quality, hot water tanks can make a bubbling noise. This noise is normal and does not indicate any defect of the unit.

1. FLAT RANGE



- 1/**SETTING KNOB** (Ref A and D): Manual selection of temperature setpoint. Position of ref. D is the maximum position of temperature setting.
- 2/**FROST FREE Mode**  (Ref. B): Automatic regulation at frost-free temperature (7°C), in order to reduce the electric consumption during the periods of absence of the user.
- 3/**SHOWER READY**  (Ref. C): Monitoring indicator of hot water available. When the shower symbol is turned on, volume of hot water is equal or higher than 1 shower need.

2. SQUARE RANGE

- 1/**SETTING KNOB** (Ref A and D): Manual selection of temperature setpoint. Position of ref. C is the maximum position of temperature setting.
- 2/**FROST FREE Mode**  (Ref. B): Automatic regulation at frost-free temperature (7°C), in order to reduce the electric consumption during the periods of absence of the user.
- 3/**HEATING LIGHT INDICATOR**  (Ref. D):. When the heating element symbol is turned on, the water is being heated.

When a malfunction occurs, the user interface of the appliance can display an error code.

1. FLAT RANGE

Fault (LED status)	Meaning	Remark
2 successive «shower» blinking, 3 sec of pause, 2 successive shower blinking... 	Error 3 : Probe fault	Change probe
2 successive «shower» blinking, 3 sec of pause, 4 successive shower blinking 	Error 9 : Relay or PCB fault	Change PCB

2. SQUARE RANGE

Nothing

MAINTENANCE

CAUTION: Before removing the plastic cover, make sure the power is turned off to avoid any risk of injury or electric shock.

1. USER MAINTENANCE

Operates once a month the discharge of the safety valve to prevent scaling deposit and verify that the safety device is not blocked. If this is not done, damage may be caused and the guarantee invalidated. For an installation with a booster pump; before starting up, after a long period of disuse, turn the rotor following the advice in the manufacturer's instructions.

2. MAINTENANCE BY A QUALIFIED PERSON

- Scaling: Remove the scale sludge. Do not scrape or hammer the lime scale deposited on the casing, as this may damage the lining.
- Magnesium anode: change the magnesium anode every 2 years or when its diameter is lower than 10 mm.
- Heating element: the replacement of a sheathed heating element involves draining of the water heater and replacement of the flange gasket. Reassemble the heating element, reasonably tight nuts (cross tightening), check that there is no leakage after the first heating-up, tighten again if necessary
- Drain: Turn off power and cold-water supply. Open hot water taps and drain valve of the safety device.

Spare parts list: thermostat, flange gasket, heating element, heating light indicator, magnesium anode, connection wires, electric switch. The guarantee requires genuine manufacturer's parts to be used.

Advice to the user

- ➔ When the water has a TH > 20°f, it is recommended that this be treated. When a softener is used, the water hardness must remain above 15°f.
- ➔ In case of prolonged absence, especially in winter, drain your appliance following the procedure above.

The water heater must be installed, used and maintained according to best practice and conform to the standards in force in the country in which it is installed and to the instructions contained in this document. In the European Union this appliance is covered by the statutory guarantee accorded to consumers in accordance with directive 1999/44/CE. This guarantee comes into force when the appliance is delivered to the consumer. In addition to the legal guarantee, certain items are covered by an extra guarantee relating only to the free exchange of the tank and of components accepted as defective. It does not include the cost of replacement or carriage. Refer to the table below. This commercial guarantee does not affect your statutory rights. It applies within the country where the product was acquired, provided it is also installed in the same country. The dealer must be informed of any damage before the product is exchanged under guarantee and the appliance will remain available for inspection by experts from the insurance company and the manufacturer.

Statutory guarantee	2 years
Extra commercial guarantee on enamel tank and heating element	+3 years

Exclusions: Wear parts: magnesium anodes. Equipment which cannot be assessed (access difficult for repair, maintenance or assessment). Equipment exposed to abnormal environmental conditions: frost, bad weather, water which is abnormally aggressive or outside drinking standards, electrical supply with large spikes. Equipment installed without observing current standards in the country of installation: the absence or incorrect fitting of safety devices, abnormal corrosion due to incorrect water fittings (iron/copper contact), incorrect earthing, inadequate cable thickness, non-observance of the connection drawings shown in these instructions. Equipment not maintained in accordance with these instructions. Repairs or replacement of parts or components in the equipment not carried out or authorised by the company responsible for the guarantee. Changing a component does not extend the life of the guarantee.

The products illustrated in these instructions may be modified at any time to reflect changes in manufacture and current norms.

To claim under guarantee, contact your installer or dealer. If necessary, contact:

SPAIN and PORTUGAL: Pol.Industrial Cami Ral, Calle Molinot 59-62 – 08860 – Castelldefels (Barcelona)
Tél : 902 45 45 66 /

ITALIA : 848 800 929 (al solo costo di uno chiamata a tariffa urbana) / POLSKA : ul. Plochocińska 115 , 03-044 Warszawa tel (0800)-548-098 / OTHER COUNTRIES: +33 23 87 13 846

who will inform you of what you should do. The guarantee applies only to examine products which are accepted as faulty by the company underwriting the guarantee. It is essential that products should be retained for inspection by them.

Type / Reference:		STAMP DEALER
Serial number:		
Name and address of customer:		

ПОПЕРЕДЖЕННЯ


Водонагрівач не призначений для використання особами (включаючи дітей) з обмеженими фізичними, сенсорними чи розумовими здібностями, або особами без досвіду чи технічних знань, без нагляду чи попереднього інструктажу з використання водонагрівача від особи, відповідальної за їх безпеку. Стежте, щоб діти не гралися з водонагрівачем. Водонагрівач можуть використовувати діти починаючи з 8 річного віку, а також особи з обмеженими фізичними, сенсорними або розумовими можливостями чи особи без досвіду або технічних знань, але тільки під відповідним наглядом чи за умови, що вони були проінструктовані з безпечного використання водонагрівача, та усі можливі ризики їм було роз'яснено. Чистку та обслуговування водонагрівача мають здійснювати фахівці авторизованого сервісного центру. Важлива примітка: установка водонагрівача має відповідати діючим нормам держави, в якій встановлюється водонагрівач. У разі, якщо ви не впевнені, що ваших знань достатньо для встановлення водонагрівача, ми рекомендуємо звернутися до фахівця.

УВАГА: водонагрівач має значну вагу, поводьтеся з ним обережно.

1. Встановлюйте водонагрівач у приміщенні, де виключене його замерзання.
2. При руйнуванні водонагрівача внаслідок надлишкового тиску, що спричинений замерзанням, блокуванням запобіжного клапану відкладеннями води, не встановленням оригінального запобіжного клапану водонагрівач не підлягає гарантійному обслуговуванню.
3. Переконайтеся в тому, що стіна витримає вагу приладу, наповненого водою.
4. Якщо водонагрівач встановлюється у приміщенні або місці, де температура навколишнього середовища постійно вища за 35°C, необхідно передбачити можливість його провітрювання.
5. У ванних кімнатах не встановлюйте водонагрівач у зоні 1 або 2 (див. рис. 1.1 стор.2). Якщо водонагрівач встановлюється над житловими приміщеннями, необхідно передбачити водозбірну ємність зі стоком у каналізацію.
6. Розташуйте водонагрівач у легкодоступному місці поблизу каналізаційних зливів для зручності роботи фахівців сервісних центрів.
7. Установка вертикальна або горизонтальна настінна.
8. Перш ніж зняти кришку, переконайтеся, що живлення вимкнене, щоб уникнути ризику травмування або удару струмом.

ПОПЕРЕДЖЕННЯ

UA

9. Для злива води з водонагрівача необхідно: відключити водонагрівач від електромережі; відкрити кран гарячої води у місці споживання; перекрити запірну арматуру на вході у водонагрівач; встановити флажок запобіжного клапана в горизонтальне положення.
10. Електроводонагрівач має сертифікат відповідності УКР СЕПРО
11. Не викидайте цей прилад із загальним сміттям, він має бути зданий до спеціалізованого пункту для переробки.
12. Прилади відповідають вимогам інструкцій з електромагнітної безпеки 2014/30/UE, інструкції щодо низької напруги 2014/35/UE, інструкції 2011/65/UE стосовно ROHS та інструкції 2013/814/UE, що доповнює директиву 2009/125/EC стосовно конструювання з урахуванням екологічних вимог.
13. Цей виріб призначений для використання на висоті до 3000 метрів.
14. Завжди підключайте кабель заземлення до клеми заземлення яка позначена символом .
15. Керівництво з експлуатації данної продукції можна отримати у відділі післягарантійного обслуговування.

Шановні покупці! З питань гарантійного, сервісного та післягарантійного обслуговування на території України звертайтеся за тел.: 0-800-500-885 – безкоштовно з усіх телефонів.

З актуальним переліком сервісних центрів можна ознайомитися на сайті <http://www.atlanticgeyser.com.ua>

1. КРІПЛЕННЯ

Кріплення водонагрівача схематично зображено на рис. 1.2 – 1.6.

Для встановлення використовуйте шаблон для свердління отворів для настінного монтажу, що йде у комплекті.

При встановленні водонагрівача в горизонтальному положенні, патрубок подачі холодної води (помічений синім кільцем) повинен бути розташований знизу, а патрубок гарячої води (помічений красним кільцем) – зверху (рис. 1.3b).

Кріплення водонагрівача повинне забезпечити щільне прилягання кріпильного кронштейна до вертикальної поверхні.

Відстань від кришки блока автоматики до протилежної вертикальної поверхні повинна бути не менш ніж 500 мм, щоб забезпечити доступ до блока автоматики. Це необхідна умова безкоштовного гарантійного обслуговування водонагрівача. Роботи з демонтажу і монтажу ТЕНа і терморегулятора у випадках зменшення зазначених розмірів оплачуються окремо.

Увага! У випадку виходу з ладу водонагрівача внаслідок його кріплення з порушеннями вимог цього розділу водонагрівач не підлягає гарантійному обслуговуванню.

2. 2. ПІДКЛЮЧЕННЯ ДО СИСТЕМИ ВОДОПОСТАЧАННЯ

Максимальний тиск води у стояку холодного водопостачання на вході водонагрівача має бути 0,8 МПа.

Підключення водонагрівача до трубопроводів холодного і гарячого водопостачання необхідно виконувати пластиковими або металопластиковими трубами.

Заборонено підключати водонагрівач на гнучкі шланги у зв'язку з тим, що вони руйнуються від перепадів температури, недовговічні і можуть вийти з ладу (протікати, лопнути).

Приєднувані до водонагрівача труби і з'єднання повинні витримувати тиск 10 бар і температуру 100°C.

Перед підключенням необхідно ретельно прочистити труби водопостачання.

Діелектрична муфта встановлюється на патрубок гарячої води.

Підключення схематично зображено на рис. 2.:

1. Встановіть на патрубок подачі холодної води водонагрівача запобіжний клапан, що входить до комплекту поставки (рис. 5), закрутивши його не більш ніж на 3-4 оберти. Випускна трубка клапану повинна бути спрямована в постійно спадному напрямку. **Між запобіжним клапаном та патрубком холодної води не повинно бути ніяких запірних пристроїв. Випускна (дренажна) трубка запобіжного клапану повинна бути спрямована в постійно спадному напрямку у навколишньому середовищі, що не замерзає. Запобіжний клапан і дренажна трубка повинні бути захищені від морозу.**



Рис. 5

Увага! При використанні клапану, що не входить до комплекту поставки, водонагрівач не підлягає гарантійному обслуговуванню.

2. На зливний отвір запобіжного клапана встановіть дренажну трубку (у комплект постачання не входить), для відведення води у випадку автоматичного скидання надлишкового тиску в робочому баку.
 3. Виміряйте тиск у стояку холодного водопостачання, при тиску більше 0,5 МПа встановіть редуктор тиску (у комплект постачання не входить) для зниження тиску;
 4. На трубопровід холодного водопостачання встановіть фільтр грубого очищення (у комплект постачання не входить), щоб запобігти потраплянню механічних домішок у запобіжний клапан
- Запобіжний клапан конструктивно поєднує в собі зворотний і стравлюючий клапани. Зворотний клапан виключає витікання води з бака у стояк за відсутності холодної води у водопроводі. Під час нагрівання відбувається розширення води, що призводить до збільшення тиску в баку. При перевищенні тиску води в робочому баку понад 0,8 МПа можливе або скидання невеликої кількості води через зливний отвір стравлюючого клапану(вода може капати з випускної труби зменшення тиску і ця труба має залишатися відкритою до повітря), або стравлювання надлишкового тиску крізь зворотний клапан у стояк холодного водопостачання. Це є нормальним режимом роботи запобіжного клапану.

3. 3. ПІДКЛЮЧЕННЯ ДО ЕЛЕКТРОМЕРЕЖІ (рис. А)

Водонагрівач повинен живитися тільки від мережі однофазного змінного струму 230 В.

Підключення до електромережі виконується кабелем з вилкою, що йдуть у комплекті. Розетка повинна бути заземлена. Розетка підключається до щитка електроживлення квартири, щоб не перевантажувати існуючу проводку.

Переконайтеся, що шнур живлення водонагрівача не пошкоджений. Якщо шнур живлення пошкоджений, він повинен бути замінений на спеціальний шнур, який є в наявності в сервісному центрі.

Електричне підключення має проводитись з використанням автоматичного вимикача з характеристиками, відповідними до потужності водонагрівача.

У тому випадку, якщо водяні труби виготовлені з ізолюючого матеріалу, електричні ланцюги повинні бути захищені диференціальним переривником 30 мА, відповідним до чинних норм.

Заповніть водонагрівач водою, для чого:

- переконайтесь у тому, що закрита запірна арматура на стояку гарячого водопостачання;
- відкрийте запірну арматуру на стояку холодного водопостачання;
- відкрийте кран гарячої води на змішувачі в точці споживання;
- водонагрівач буде заповнений, коли з крана гарячої води почне витікати вода;
- закрийте кран гарячої води.

Огляньте місце підключення водонагрівача до системи водопостачання и переконайтесь у відсутності протікання води.

Увімкніть вилку в розетку та включіть автоматичний вимикач.

Увага! При першому включенні приладу можлива поява запаху гару і невеликої кількості диму, що обумовлено вигоранням поверхневого нальоту зі спіралей нагрівального елемента.

УВАГА: Ніколи не включайте водонагрівач без води.

ОПИС ПАНЕЛІ КЕРУВАННЯ (рис. 4)



ПУСК / ФУНКЦІОНУВАННЯ

ВКАЗІВКИ З ТЕХНІКИ БЕЗПЕКИ

Забороняється:



- встановлювати водонагрівач на гнучких шлангах;
- експлуатувати водонагрівач без заземлення;
- експлуатувати водонагрівач без магнієвого анода, який встановлено на фланці в середині робочого бака;
- експлуатувати водонагрівач зі знятою захисною кришкою електричного блока;
- проводити ремонтні роботи та обслуговування при увімкненому в електричну мережу водонагрівачеві;
- експлуатувати несправний водонагрівач.

1. ПЛОСКА МОДЕЛЬ

- 1 / **РЕГУЛЯТОР ТЕМПЕРАТУРИ (REF A і D):** Вибір заданого значення температури вручну. Положення D є максимальним положенням установки температури.
- 2 / **РЕЖИМ «FROST FREE»**  (B): Автоматичне регулювання температури до температури незамерзання (+7 °C), з метою зменшення енергоспоживання в періоди відсутності користувача.
- 3 / **ДУШ**  - умовний індикатор нагріву води. Коли всі символи світяться, означає, що нагрівся весь об'єм води у водонагрівачі.

При несправності, на користувацькому екрані пристрою з'являється код помилки.

1. ПЛОСКА МОДЕЛЬ

Помилка (LED status)	Значення	Примітка
2 послідовних мигтіння «душ», 3-секундна пауза, 2 послідовних мигтіння «душ»... 	Error 3 : Помилка датчика	Замінити датчик
2 послідовних мигтіння «душ», 3-секундна пауза, 4 послідовних мигтіння «душ» 	Error 9 : Реле або помилка плати РСВ	Замінити плату РСВ

2. КВАДРАТНАЯ МОДЕЛЬ

УВАГА: Перш ніж знімати кришку водонагрівача, щоб запобігти ураженню струмом, переконайтеся у тому, що електричне живлення вимкнене.

1. САМОСТІЙНЕ ОБСЛУГОВУВАННЯ СПОЖИВАЧЕМ

Увага! Один раз на місяць необхідно видаляти з запобіжного клапану вапняний осад і перевіряти, чи його не заблоковано, шляхом короточасної установки тригера в горизонтальне положення, при цьому крізь зливний отвір повинна витекти невелика кількість води. **Невиконання цієї вимоги може викликати вихід з ладу запобіжного клапану і водонагрівача. У цьому випадку водонагрівач і запобіжний клапан не підлягають гарантійному обслуговуванню.**

2. СЕРВІСНЕ ОБСЛУГОВУВАННЯ ВОДОНАГРІВАЧА

Водонагрівач підлягає обов'язковому сервісному обслуговуванню, яке повинні проводити кваліфіковані майстри авторизованого сервісного центру або уповноважені учасники «Клубу фахівців Atlantic», які використовують оригінальні комплектуючі.

З питань сервісного обслуговування на території України звертатись за телефоном гарячої лінії 0-800-500-885.

Сервісне обслуговування водонагрівачів здійснюється не пізніше 10 діб по закінченню 24-місячного терміну від дати купівлі водонагрівача та дати проведення останнього сервісного обслуговування. При використанні водонагрівача на виробництві, у сферах послуг і в місцях громадського харчування - не пізніше 10 діб по закінченню 12-місячного терміну від дати купівлі водонагрівача та дати проведення останнього сервісного обслуговування.

Сервісне обслуговування складається з:

1. Чищення внутрішніх баків водонагрівача від накипу;
2. Чищення фланців від накипу;
3. Заміни 2-х магнієвих анодів (по 1 шт. у кожному баці);
4. Перевірки стану внутрішніх баків, прокладки, фланця та електричного блока керування;
5. Перевірки стану запобіжного клапану та його чищення при необхідності;
6. Позначки в гарантійному талоні.

Унікайте підробок! Оригінальні магнієві аноди містять на упаковці наклейку, яку майстер повинен вклеїти у гарантійний талон при проведенні сервісного обслуговування, як свідоцтво використання оригінального магнієвого анода. При відсутності наклейки водонагрівач не підлягає гарантійному обслуговуванню.

Увага! Роботи із сервісного обслуговування сплачує споживач згідно з діючим прейскурантом сервісного центру.

УМОВИ ДІЇ ГАРАНТІЇ

З питань гарантійного, післягарантійного та сервісного обслуговування звертайтеся до ТОВ «Атлантик-Гейзер» за телефоном 0-800-500-885 чи за адресою 62441, Харківська обл., Харківський район, с. Циркуни, вул.Пушкінська, буд.6.

При купівлі водонагрівача вимагайте правильного заповнення гарантійних документів, перевірки зовнішнього вигляду виробу, цілісності його елементів і комплектності. Претензії, що стосуються механічних ушкоджень і некомплектності водонагрівача після продажу не приймаються.

Гарантійні документи дійсні тільки в оригіналі з позначкою про дату і місце продажу, підписом продавця, печаткою продавця. При втраті гарантійних документів Споживач втрачає право на гарантійне обслуговування.

При відсутності у гарантійному і відривному талонах дати продажу гарантійний термін обчислюється з дати виробництва.

Вартість встановлення не входить у вартість виробу.

Гарантійне обслуговування виконується безкоштовно протягом гарантійного терміну експлуатації авторизованим сервісним центром.

Гарантійне зобов'язання не розповсюджується на магнієвий анод, тому що він є розхідним матеріалом.

Водонагрівач підлягає обов'язковому сервісному обслуговуванню, яке повинні проводити кваліфіковані майстри авторизованого сервісного центру або уповноважені учасники «Клубу фахівців Atlantic», які використовують оригінальні магнієві аноди. З питань сервісного обслуговування звертатись за телефоном гарячої лінії 0-800-500-885. Роботи із сервісного обслуговування та зміни розхідних матеріалів оплачує Споживач згідно з діючими прейскурантом сервісного центру.

Гарантійний термін експлуатації товару складає 24 місяці за обов'язкової умови проведення сервісного обслуговування у порядку, зазначеному в розділі «Обслуговування» даного керівництва. Гарантійний термін на водяний бак може бути подовжений до 84 місяців за умови проведення сервісного обслуговування товару у порядку, зазначеному в розділі «Обслуговування» даного керівництва.

Водонагрівач приймається на гарантійний ремонт тільки з керівництвом з експлуатації, з правильно заповненими гарантійними документами і заявою споживача.

Строк виконання гарантійних зобов'язань становить не більш 14 діб з дня надходження водонагрівача до організації, що виконує ремонт.

Виробник не несе відповідальності за відхилення параметрів електромережі і мережі водопостачання від норми і їх технічний стан, а також несправності водонагрівача, викликані цими відхиленнями.

При виникненні несправності споживач зобов'язаний відключити водонагрівач від електромережі та від системи водопостачання та звернутися за телефоном 0-800-500-885

Заборонено !!! Демонтувати водонагрівач до приїзду майстра сервісного центру. У випадку невиконання даної вимоги водонагрівач не підлягає гарантійному обслуговуванню і ремонт оплачує споживач.

Гарантійний ремонт виконується у таких випадках:

- розгерметизація (протікання) бака;
- несправність ТЕНа;
- несправність терморегулятора, плати керування.

Безкоштовне технічне обслуговування виконується один раз упродовж гарантійного строку експлуатації і складається з:

- зовнішнього огляду місць з'єднання патрубків з баком;
- перевірки відсутності течі води в місці кріплення електричного блока;

Гарантійне обслуговування не проводиться у випадках:

- недотримання правил збереження, транспортування, встановлення, підключення і експлуатації виробу;
- механічних ушкоджень виробу;
- внесення технічних змін у виріб;
- використання приладу не за призначенням;
- відсутності магнієвого анода, встановленого у місці, передбаченому виробником в середині робочого бака водонагрівача;
- порушення умов гарантійного обслуговування;
- відсутності заземлення, якщо це призвело до виходу з ладу водонагрівача;
- порушення вимог щодо щорічного обслуговування (відсутність відмітки та наклейки в гарантійному талоні, що свідчать про проведення сервісного обслуговування фахівцем авторизованого сервісного центру або уповноваженим учасником «Клубу фахівців Atlantic»);
- невідповідності якості води Державним санітарним правилам і нормам «Вода питна. Гігієнічні вимоги до якості води централізованого господарсько-питного водопостачання».

У цих випадках ремонт сплачує Споживач.

Виробник : Atlantic ECET (Energy Company for Energy Technology) SAE Industrial Zone/1, West Block-10th at Ramadan City Egypt

1. Електроводонагрівач виготовлений відповідно до ДСТУ ІЕС 60335-2-21, ДСТУ CISPR 14-1, ДСТУ CISPR 14-2, ДСТУ ІЕС 61000-3-2, ДСТУ EN 61000-3-3.

2. Гарантійний термін експлуатації товару складає 24 місяці за обов'язкової умови проведення сервісного обслуговування у порядку, зазначеному в розділі «Обслуговування» даного керівництва. Гарантійний термін на водяний бак може бути подовжений до 84 місяців за умови проведення сервісного обслуговування товару у порядку, **зазначеному в розділі «Обслуговування»** даного керівництва.

Якщо протягом гарантійного терміну товар експлуатувався з порушенням правил або споживач не виконував вимоги виробника, зазначені у даному керівництві, ремонт здійснюється за рахунок споживача.

3. Термін служби товару не менше 8 років.



Гарантійний талон

Керівництво з експлуатації ЕВАД

Заповнює продавець

Водонагрівач модель _____

Заводський №

--	--	--	--	--	--	--	--	--	--

Дата виготовлення зашифрована у заводському номері: перші дві цифри - рік випуску, другі дві цифри - тиждень випуску, решта цифр - порядковий номер

Продавець _____

(назва, адреса)

Дата продажу _____

(місяць, місяць, рік)

Ціна _____

(у гривнях)

(ПБ відповідальної особи продавця)

(підпис)

МП _____

Заповнює виконавець

Товар прийнято на гарантійне обслуговування _____

(місяць, місяць, рік)




Дата _____

(місяць, місяць, рік)

Облік робіт з технічного обслуговування та гарантійного ремонту

Дата	Опис недоліків	Зміст виконаної роботи, найменування і тип заміненних комплектуючих виробів	ПІБ, підпис виконавця

Примітка: додатково вноситься інформація про роботи щодо запобігання виникненню пожежі.

<p>дійсний у разі заповнення</p>  <p>ВІДРИВНИЙ ТАЛОН на технічне обслуговування протягом 2 років гарантійного терміну експлуатації</p>	<p>дійсний у разі заповнення</p>  <p>ВІДРИВНИЙ ТАЛОН на гарантійний ремонт протягом 2 років гарантійного терміну експлуатації</p>	<p>дійсний у разі заповнення</p>  <p>ВІДРИВНИЙ ТАЛОН на гарантійний ремонт протягом 2 років гарантійного терміну експлуатації</p>
<p>Заповнює продавець</p> <p>Водонагрівач модель _____</p> <p>Заводський № <input type="text"/></p> <p>Дата виготовлення _____ (число, місяць, рік)</p> <p>Продавець _____ (назва, адреса)</p> <p>Дата продажу _____ (число, місяць, рік)</p> <p>Матеріально відповідальна особа _____ (підпис та розшифрування)</p> <p>МП _____</p>	<p>Заповнює продавець</p> <p>Водонагрівач модель _____</p> <p>Заводський № <input type="text"/></p> <p>Дата виготовлення _____ (число, місяць, рік)</p> <p>Продавець _____ (назва, адреса)</p> <p>Дата продажу _____ (число, місяць, рік)</p> <p>Матеріально відповідальна особа _____ (підпис та розшифрування)</p> <p>МП _____</p>	<p>Заповнює продавець</p> <p>Водонагрівач модель _____</p> <p>Заводський № <input type="text"/></p> <p>Дата виготовлення _____ (число, місяць, рік)</p> <p>Продавець _____ (назва, адреса)</p> <p>Дата продажу _____ (число, місяць, рік)</p> <p>Матеріально відповідальна особа _____ (підпис та розшифрування)</p> <p>МП _____</p>
<p>Корінець відривного талона на технічне обслуговування протягом 2 років гарантійного терміну експлуатації</p> <p>Вилучений _____ 20 р.</p> <p>Виконавець _____ (підпис та розшифрування)</p>	<p>Корінець відривного талона на гарантійний ремонт протягом 2 років гарантійного терміну експлуатації</p> <p>Вилучений _____ 20 р.</p> <p>Виконавець _____ (підпис та розшифрування)</p>	<p>Корінець відривного талона на гарантійний ремонт протягом 2 років гарантійного терміну експлуатації</p> <p>Вилучений _____ 20 р.</p> <p>Виконавець _____ (підпис та розшифрування)</p>

<p>Заповнює виконавець</p>	<p>Заповнює виконавець</p>	<p>Заповнює виконавець</p>
<p>Виконавець _____ (підприємство, організація, адреса)</p> <p>Номер, за яким товар взято на гарантійний облік _____</p> <p>Причина ремонту. Назва заміненого комплектуючого виробу, складової частини: _____</p> <p>Дата проведення робіт _____ (число, місяць, рік)</p> <p>Підпис особи, що виконала роботу, та його розшифрування _____</p> <p>Номер пломбратора _____</p> <p>МП _____</p> <p>Підпис споживача, що підтверджує виконання гарантійного ремонту _____</p>	<p>Виконавець _____ (підприємство, організація, адреса)</p> <p>Номер, за яким товар взято на гарантійний облік _____</p> <p>Причина ремонту. Назва заміненого комплектуючого виробу, складової частини: _____</p> <p>Дата проведення робіт _____ (число, місяць, рік)</p> <p>Підпис особи, що виконала роботу, та його розшифрування _____</p> <p>Номер пломбратора _____</p> <p>МП _____</p> <p>Підпис споживача, що підтверджує виконання гарантійного ремонту _____</p>	<p>Виконавець _____ (підприємство, організація, адреса)</p> <p>Номер, за яким товар взято на гарантійний облік _____</p> <p>Причина ремонту. Назва заміненого комплектуючого виробу, складової частини: _____</p> <p>Роботи з технічного обслуговування, виконані відповідно до порядку гарантійного обслуговування, ремонтом не вважаються.</p> <p>Дата проведення робіт _____ (число, місяць, рік)</p> <p>Підпис особи, що виконала роботу, та його розшифрування _____</p> <p>Номер пломбратора _____</p> <p>МП _____</p> <p>Підпис споживача, що підтверджує виконання гарантійного ремонту _____</p>

ПРЕДУПРЕЖДЕНИЕ

Этот прибор не предназначен для использования лицами (включая детей) с ограниченными физическими, сенсорными или умственными способностями, или людьми без опыта или технических знаний, если им не было предоставлено специальное обучение по вопросам использования устройства со стороны контролирующего лица, ответственного за их безопасность. Детям запрещено играть с прибором. Этот прибор может быть использован детьми начиная с 8 летнего возраста, а также людьми с ограниченными физическими, сенсорными, умственными способностями или людьми без опыта или технических знаний, при условии, что их действия контролируются, и что ими была изучена инструкция по использованию прибора и все возможные риски принимаются во внимание. Чистка и обслуживание прибора не может производиться детьми без присмотра. Важное примечание: Установка водонагревателя должна отвечать действующим нормам страны, в которой устанавливается прибор. В случае если вы не уверены, что ваши знания достаточны для установки данного прибора, мы рекомендуем обратиться к специалисту.

УСТАНОВКА: Внимание: Изделие имеет большой вес, обращайтесь с ним осторожно.


1. Устанавливать прибор в помещении, где исключено его замерзание. Разрушение прибора вследствие блокировки органов безопасности или не использования предохранительного клапана не покрывается гарантией.
2. Убедиться в том, что стена выдержит вес прибора, наполненного водой.
3. Если прибор устанавливается в помещении или месте, где температура окружающей среды постоянно выше 35°C, необходимо предусмотреть возможность его проветривания.
4. В ванных комнатах не устанавливайте изделие в объёмах V0 и V1 (см. рис. 1 р.3). Если водонагреватель устанавливается над жилыми помещениями, необходимо предусмотреть водосборную ёмкость со стоком в канализацию.
5. Размещать прибор в легкодоступном месте. В случае использования пластиковых труб, настоятельно рекомендуется установка терморегулятора на выходе. Он будет отрегулирован в соответствии с производительностью используемого материала.

ПРЕДУПРЕЖДЕНИЕ

6. Установка вертикальная и горизонтальная настенная : Чтобы позволить замену нагревательного элемента в случае необходимости, следует оставить расстояние (минимум 500 мм) под водонагревателем (для вертикальной модели) и сбоку (для горизонтальной модели) для доступа к электрической части. (рис1).
7. Прежде чем снять крышку, убедитесь, что питание отключено, чтобы избежать риска травм или электрошока.
8. Электрическое подключение должно включать в себя многополюсный выключатель (автоматический выключатель или предохранитель) в соответствии с местными правилами установки. (дифференциальным прерывателем 30 мА).
9. Если кабель (шнур) поврежден, он должен быть заменен на оригинальный шнур или набор, доступный у производителя или в сервисном центре.
10. Новое предохранительное устройство (или любое другое устройство для сброса давления) давлением в 0,7 или 0.9 МПа (7 или 9 бар), размером $\frac{1}{2}$ ", должно быть обязательно установлено на входе в водонагреватель в соответствии с местными нормами, в помещении, где исключено его замерзание.
11. Устройство осушения предохранительного клапана должно быть периодически включено в работу для удаления накипи и проверки того, что прибор не заблокирован.
12. Запрещена установка каких либо гидравлических аксессуаров между клапаном безопасности и входом (подачей) холодной воды в прибор. Редукционный клапан (не поставляется в комплекте) требуется установить, когда давление превышает 0,5 МПа (5 бар).
13. Подключить предохранительное устройство к дренажной трубке в защищенном от мороза помещении, поддерживая её при этом на весу ; направить вниз, в сторону спуска воды, в случае расширения нагретой воды или при спуске воды из водонагревателя.
14. Трубы должны выдержать температуру в 100°C и давление в 1 МПа (10 бар).
15. Слив: Отключить питание и холодную воду, открыть краны горячей воды, работать со сливным клапаном предохранительного устройства.

ПРЕДУПРЕЖДЕНИЕ

RU

16. Приборы соответствуют электромагнитным требованиям 2014/30/UE и требованиям по низкому напряжению 2014/35/UE, инструкции 2011/65/UE относительно ROHS и инструкции 2013/814/UE, дополняющей директиву 2009/125/EC по конструированию с учётом требований экологии.
17. Этот продукт предназначен для использования при максимальной высоте 3000м над уровнем моря.
18. Всегда подключайте провод заземления к контуру заземления или к терминалу, идентифицированному соответствующим символом .
19. Свяжитесь с гарантийным и послегарантийным сервисом, чтобы получить руководство пользователя для этого продукта.

Уважаемые покупатели! По вопросам гарантийного, сервисного и послегарантийного обслуживания на территории Российской Федерации обращайтесь по тел.: 8-800-100-21-77 – бесплатно с городских телефонов. С актуальным списком сервисных центров и развернутой информацией по эксплуатации можно ознакомиться на сайте www.atlantic-comfort.ru или по телефону 8-800-100-21-77.

1. КРЕПЛЕНИЕ

см. предупреждение 1 – 6 (см. р. 21).

Для установки продукта, обратитесь к разделу рисунки 1 стр. 2.

2. ПОДКЛЮЧЕНИЕ ТРУБ

см. предупреждение 10 – 14 (см. р. 21).

Для гидравлической связи, обратитесь к чертежам раздела 2 стр. 3.

Перед подключением необходимо тщательно прочистить подающие трубы. Подключение на выходе горячей воды производится при помощи чугунной, стальной муфты или при помощи диэлектрического соединительного элемента. С тем, чтобы избежать коррозию труб (прямой контакт железо-медь), запрещается использовать соединительные элементы из латуни.

На входе водонагревателя **обязательно установить новый узел безопасности**, который соответствовал бы действующим нормам (в Европе EN 1487) Давление 0.7 или 0.9 МПа (7 или 9 бар), размер ½. **Группа безопасности или предохранительный клапан должны быть защищены от мороза.** Никакое гидравлическое приспособление не должно находиться между узлом безопасности и местом доступа холодной воды в прибор. Редуктор давления необходим в том случае, когда давление подаваемой воды превосходит 0.5 МПа (5 бар)(в комплект поставки не входит). Присоединить узел безопасности к сливной трубе для того, чтобы обеспечить выход воды в результате её термического расширения или в случае слива воды из водонагревателя. Подключение предохранительного устройства должно осуществляться без давления в трубе, трубы должны быть защищены от замерзания; трубы должны быть установлены под наклоном для свободного отбора воды во время нагрева или осушения водонагревателя. трубы должны выдерживать температуру в 100°C и давление в 1 МПа (10 бар).


Внимание: Не использовать клапан безопасности при такой сборке во Франции (Métropole, DOM-TOM).

Предохранительный клапан: предохранительный клапан конструктивно объединяет в себе обратный и стравливающий клапан. Обратный клапан исключает вытекания воды из бака в стояк при отсутствии холодной воды в водопроводе. При нагревании происходит расширение воды, что приводит к увеличению давления в баке. При превышении давления воды в рабочем баке более 0.9 Мпа (9 бар), возможен, или сброс небольшого количества воды, через сливное отверстие стравливающего клапана, или стравливания избыточного давления через обратный клапан в стояк холодного водоснабжения. Это является нормальным режимом работы предохранительного клапана.

В процессе эксплуатации ЭВН возможно срабатывание тепловой защиты регулятора, которая срабатывает в результате перепадов напряжения в электросети или перегрева ТЭНа, вызванного значительным образованием накипи на нем. Срабатывание тепловой защиты не считается неисправностью и не подлежит устранению по гарантии. Возобновление работы ЭВН осуществляется потребителем самостоятельно, для чего необходимо: отключить ЭВН от электросети; выкрутить крепежные шурупы защитной крышки; снять защитную крышку; нажать на кнопку тепловой защиты, которая расположена в корпусе терморегулятора. После возобновления работы терморегулятора установите на место защитную крышку и включите ЭВН. Постоянное включение кнопки тепловой защиты может привести к выходу из строя терморегулятора

3. ЭЛЕКТРИЧЕСКОЕ ПОДКЛЮЧЕНИЕ

Для электрического соединения, обратитесь к чертежам раздел 3

В зависимости от модели водонагреватель должен питаться только от сети однофазного переменного тока 230. Подсоединить водонагреватель при помощи жёсткого кабеля с жилами сечением в 2.5 мм кв. Для этого использовать стандартные штробы (жёсткая оплётка или коробка), которые должны подходить к калиброванному ложементу крышки. В том случае, если приборы имеют кабель или розетку (во Франции запрещено), подключать напрямую. В обязательном порядке подключить заземление или подвести провод заземления к специальной клемме, обозначенной знаком . **Данное подключение является обязательным из соображений безопасности.**

Длина жёлто-зелёного провода заземления должна быть больше длины фазных проводов. Установка должна иметь на входе водонагревателя однополюсное прерывательное устройство (раскрытие контактов не менее 3 мм: предохранитель, прерыватель). В том случае, если водяные трубы изготовлены из изолирующего материала, электрические цепи должны быть защищены дифференциальным прерывателем 30 мА, соответствующим действующим нормам. Выставить напряжение питающей сети (смотри схемы и таблицу).

До вскрытия крышки проверить отключено ли электропитание. В любых случаях защита должна быть выше отбора воды из водонагревателя. Повреждённый шнур питания должен быть заменен производителем, его службой обслуживания или любым другим квалифицированным специалистом во избежание каких-либо рисков.

Тепловой прерыватель (см. рисунки раздела 5 стр.4): Все наши изделия оснащены термостатом с тепловым прерывателем и ручным взводом, который отключает напряжение водонагревателя в случае перегрева. Внимание: В случае срабатывания прерывателя: а) обесточить перед проведением любых операций, б) снять крышку, в) проверить электрическое подключение, г) взвести тепловой выключатель.

В случае повторного срабатывания, произвести замену термостата. Никогда не закорачивать защитные устройства и термостат. Питание подключать только на входную панель.

ВНИМАНИЕ: **Никогда не включать водонагреватель без воды.** Перед включением напряжения открыть кран горячей воды, полностью выпустить воздух из труб и заполнить прибор. Проверить герметичность стыков и прокладки дверцы под крышкой. В случае обнаружения подтеканий, подтянуть, не прикладывая чрезмерных усилий. Проверить функционирование гидравлических узлов безопасности и наполнить водой. Подать напряжение на прибор. Через 5-20 минут, в зависимости от объёма прибора, вода должна начать капать из сливного отверстия предохранительного клапана. Это естественное явление, вызванное расширением воды. Проверить герметичность стыков и прокладки. Во время нагрева и в зависимости от качества воды водонагреватели с погружным нагревательным элементом могут издавать звук кипения; этот звук является нормальным и не свидетельствует ни о какой неисправности прибора.

Чтобы избежать развития бактерий (легионелла и др), нагревать воду не менее одного раза в день до 60°C. Заводская регулировка термостата произведена при помощи стопора (в зависимости от модели, 65°C+5°C или 82+-3°C).

ВНИМАНИЕ: Если вы заметите постоянное выделение пара или кипящей воды через слив или через отверстие водозаборного крана, необходимо отключить электропитание водонагревателя и обратиться к специалисту.

Ввод в эксплуатацию

- Заполните ЭВН водой для этого: убедитесь в том, что закрыта запорная арматура на стояке горячего водоснабжения; откройте запорную арматуру на стояке холодного водоснабжения; откройте кран горячей воды на смесителе в точке потребления; ЭВН будет заполнен, когда из крана горячей воды начнет вытекать вода; закройте кран горячей воды.

- Осмотрите место подключения ЭВН к системе водоснабжения и убедитесь в отсутствии протечек воды.

- Включите автоматический выключатель.


- Регулировка температуры нагрева производится поворотом ручки регулировки:


Водонагреватель обладает цифровым экраном, который позволяет выбрать режим работы (см. раздел 4 стр. 5).

1. ПЛОСКАЯ МОДЕЛЬ

1) **Ручка управления для выбора режимов** (A и D): выбор температуры вручную. Позиция D - максимальная настройка температуры.


2) **Режимы работы:**

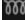
Режим Антизамерзания  (Ссылка B): Автоматическая установка температуры (7°C), с целью уменьшить электропотребление во время отсутствия пользователя.

3) **Индикатор «Душ»**  (C) показывает количество оставшейся горячей воды. Горящий индикатор «Душ» означает, что горячей воды в водонагревателе достаточно на один душ и более.

2. КВАДРАТНАЯ МОДЕЛЬ



1) **РУЧНАЯ НАСТРОЙКА** (Поз. A и D): Ручной выбор настройки температуры. Позиция C соответствует максимальной настройке температуры.

2) **Режим АНТИЗАМЕРЗАНИЯ**  (Поз. B): Автоматическая настройка на температуру Антизамерзания (7°C), для понижения потребления электрического тока во время отсутствия пользователя.

3) **ИНДИКАТОР НАГРЕВА**  (Поз. D): Когда светится значок душа, идёт нагрев.

В случае некорректной работы изделия на дисплее высвечивается сигнал об ошибке.

1. ПЛОСКАЯ МОДЕЛЬ

Неисправность	Значение	Комментарий
<p>2 последовательных мигания индикатора «Душ», трехсекундная пауза, 2 последовательных мигания...</p> 	<p>Ошибка 3 : Ошибка датчика</p>	<p>смените датчик</p>
<p>2 последовательных мигания индикатора «Душ», трехсекундная пауза, 4 последовательных мигания «Душ»...</p> 	<p>Ошибка 9 : Ошибка реле или платы РСВ</p>	<p>смените плату РСВ</p>

2. КВАДРАТНАЯ МОДЕЛЬ

ОБСЛУЖИВАНИЕ

ВНИМАНИЕ: Прежде чем снять пластиковую крышку, чтобы избежать возможности получения травм или удара электрического тока убедитесь, что прибор отключен от питания.

1. ДОМАШНЕЕ ОБСЛУЖИВАНИЕ

1 раз в месяц приводить в действие узел слива устройства гидравлической безопасности: удалить накипь и проверить, чтобы он не заедал. Несоблюдение этого правила может вызвать повреждение прибора и потерю гарантии.

2. ОБСЛУЖИВАНИЕ КВАЛИФИЦИРОВАННЫМ ПЕРСОНАЛОМ

Корпус водонагревателя нужно время от времени вытирать влажной мягкой тряпкой или губкой. Ни в коем случае не используйте абразивные или пенообразующие средства. Сервисное обслуживание водонагревателей осуществляется не позднее 10 дней по истечению указанного ниже срока от даты покупки ЭВН и даты проведения последнего

сервисного обслуживания

Сервисное обслуживание состоит из: Чистки внутреннего бака водонагревателя от накипи ;

Чистки фланца нагревательного элемента от накипи ; Замены магниевого анода ; Проверки состояния внутреннего бака, ТЭНа, прокладки, фланца и электрического блока управления ; Проверки состояния предохранительного клапана и его чистку при необходимости ; Отметки в гарантийном талоне.

Внимание! Работы по сервисному обслуживанию оплачивает потребитель, согласно действующего прейскуранта сервисного центра.

3. УКАЗАНИЯ ПО ТЕХНИКЕ БЕЗОПАСНОСТИ. ЗАПРЕЩАЕТСЯ

Устанавливать ЭВН на гибких шлангах; эксплуатировать ЭВН без заземления ; эксплуатировать ЭВН без магниевого анода, который установлен на фланце в середине рабочего бака ; эксплуатировать ЭВН со снятой защитной крышкой электрического блока ; проводить ремонтные работы и обслуживание при включенном в сеть ЭВН ; эксплуатировать неисправный ЭВН.

- Водонагреватель должен быть установлен, должен использоваться и обслуживаться в соответствии с нормами, действующими в стране установки, и в соответствии с указаниями настоящего руководства.
- Гарантия вступает в силу с момента установки с дня, указанного в счете на продажу или на установку; при отсутствии данных документов, точкой отсчета будет являться дата изготовления, указанная на шильде водонагревателя, с прибавлением 6 месяцев. Замена компонента не влечёт за собой продление срока гарантии прибора.
- Торговая гарантия покрывает бесплатную замену ёмкостей и элементов, признанных неисправными нашей службой послепродажного обслуживания, за исключением расходных деталей (магниевого анода, прокладка ...) без выплаты компенсации и продления гарантии. Гарантия не покрывает расходы по ремонтным работам и доставке, которые должны оплачиваться в соответствии с нашими тарифами.
- При покупке ЭВН Atlantic требуйте правильного заполнения гарантийных документов, проверки внешнего вида изделия, целостности его элементов и комплектности. Претензии, касающиеся механических повреждений и некомплектности ЭВН, после продажи не принимаются.
- Гарантийные документы действительны только в оригинале с отметкой о дате и месте продажи, подписью продавца, штампом торгующей организации. При неправильном оформлении или потере гарантийных документов потребитель теряет право на гарантийное обслуживание.
- При отсутствии в гарантийном и отрывном талонах даты продажи гарантийный срок исчисляется со дня выпуска изделия предприятием-изготовителем. Стоимость установки не входит в стоимость изделия. Гарантийное обязательство не распространяется на магниевый анод, потому что он является расходным материалом.
- Водонагреватель подлежит обязательному сервисному обслуживанию (см. п.20), которое должно проводиться уполномоченным сервисным центром, или уполномоченными участниками «Клуба специалистов Atlantic», которые используют оригинальные комплектующие. Работы по сервисному обслуживанию и изменения расходных материалов оплачивает Потребитель согласно действующего прейскуранта сервисного центра.
Гарантийный срок эксплуатации товара составляет 24 месяца при обязательном условии проведения сервисного обслуживания в порядке, предусмотренном данным руководством.
Гарантийные обязательства Гарантийный срок эксплуатации товара составляет 24 месяца при обязательном условии проведения сервисного обслуживания в порядке, предусмотренном данным руководством. Гарантийный срок на водяной бак может быть продлен до 60 месяцев при условии проведения сервисного обслуживания товара один раз в два года.
- При возникновении неисправностей потребитель обязан отключить ЭВН от электросети и от системы водоснабжения. ЭВН принимается на гарантийный ремонт только с руководством по эксплуатации, с правильно заполненными гарантийными документами и заявлением потребителя. Срок выполнения гарантийных обязательств составляет не более 14 суток со дня поступления ЭВН в организацию, выполняющую ремонт. Изготовитель не несет ответственности за отклонения параметров электросети и сети водоснабжения от нормы и их техническое состояние, а также неисправности ЭВН вызванные этими отклонениями.
- Запрещено! Демонтировать ЭВН до приезда мастера сервисного центра. В случае невыполнения данного требования ЭВН не подлежит гарантийному обслуживанию, и ремонт оплачивает потребитель. Гарантийный ремонт производится в следующих случаях: разгерметизация (течь) бака ;неисправность ТЭНа ;неисправность терморегулятора ;неисправность сигнальной лампочки ;неисправность предохранительного клапана (кроме случаев сброса воды через сливное отверстие).
- Гарантийное обслуживание не производится в случаях: несоблюдение правил хранения, транспортировки, установки, подключения и эксплуатации изделия; механических повреждений изделия ; внесение технических изменений в изделие ;использование прибора не по назначению; отсутствие магниевого анода, установленного в месте, предусмотренном производителем в середине рабочего бака ЭВН ; нарушение условий гарантийного обслуживания ; отсутствия заземления, если это привело к выходу из строя ЭВН ; нарушение требований п. 8 по ежегодному обслуживанию (отсутствие отметки и наклейки в гарантийном талоне, свидетельствующих о проведении сервисного обслуживания специалистом авторизованного сервисного центра или уполномоченным участником «Клуба специалистов Atlantic»).В этих случаях

ремонт оплачивает Потребитель. В случае вызова специалиста сервисного центра с не гарантийного случая, потребитель оплачивает стоимость вызова согласно действующего прейскуранта. Производитель оставляет за собой право вносить изменения в руководство без уведомления потребителей.

- Если в течение гарантийного срока товар эксплуатировался с нарушением правил или потребитель не выполнял рекомендаций предприятия, выполняющего работы по гарантийному обслуживанию товара, ремонт производится за счет потребителя.

В процессе эксплуатации ЭВН возможно срабатывание тепловой защиты регулятора, которая срабатывает в результате перепадов напряжения в электросети или перегрева ТЭНа, вызванного значительным образованием накипи на нем. Срабатывание тепловой защиты не считается неисправностью и не подлежит устранению по гарантии.

Возобновление работы ЭВН осуществляется потребителем самостоятельно, для чего необходимо:

- отключить ЭВН от электросети;
- выкрутить крепежный шуруп защитной крышки;
- снять защитную крышку;
- нажать на кнопку тепловой защиты, которая расположена в корпусе терморегулятора.

После возобновления работы терморегулятора установите на место защитную крышку и включите ЭВН. Постоянное включение кнопки тепловой защиты может привести к выходу из строя терморегулятора. Индикатор нагрева показывает условный уровень температуры воды в середине рабочего бака (кроме модели Slim). Градуировка индикатора для условного и точного измерения температуры воды в баке не предназначена.

Гарантийный талон Заполняет продавец

Водонагреватель модель _____ Заводской №

Дата изготовления зашифрована в заводском номере: первые две цифры – год выпуска, вторые две цифры – неделя выпуска, остальные цифры – порядковый номер.

Продавец _____ Дата продажи _____ Цена _____ (название, адрес)
(число, месяц, год) (гривен)

(ИФО ответственного лица продавца) (подпись)

МП

Заполняет исполнитель

Товар принят на гарантийное обслуживание _____ Дата _____
(название сервисного центра) (число, месяц, год)

Учет работ по техническому обслуживанию и гарантийному ремонту

Дата	Описание недостатков	Содержание выполненной работы, название и тип замененных комплектующих изделий	ФИО, подпись исполнителя

Примечание: дополнительно вносится информация о работе по предупреждению возникновения пожара.

Заполняет исполнитель	Заполняет исполнитель	Заполняет исполнитель
Исполнитель _____ (предприятие, организация, адрес) Номер, по которому товар взят на гарантийный учет _____ Причина ремонта. Название замененного комплектующего изделия, составной части: _____ _____	Исполнитель _____ (предприятие, организация, адрес) Номер, по которому товар взят на гарантийный учет _____ Причина ремонта. Название замененного комплектующего изделия, составной части: _____ _____	Исполнитель _____ (предприятие, организация, адрес) Номер, по которому товар взят на гарантийный учет _____ Причина ремонта. Название замененного комплектующего изделия, составной части: _____ _____
Дата проведения работ _____ (число, месяц, год) Подпись лица, которое исполняло работу и его расшифровка _____ _____	Дата проведения работ _____ (число, месяц, год) Подпись лица, которое исполняло работу и его расшифровка _____ _____	Работы по техническому обслуживанию, выполненные соответственно порядку гарантийного обслуживания, ремонтом не считаются. Дата проведения работ _____ (число, месяц, год) Подпись лица, которое исполняло работу и его расшифровка _____ _____
Номер пломбиратора _____ МП _____	Номер пломбиратора _____ МП _____	Номер пломбиратора _____ МП _____
Подпись потребителя, который подтверждает исполнение гарантийного ремонта _____ _____	Подпись потребителя, который подтверждает исполнение гарантийного ремонта _____ _____	Подпись потребителя, который подтверждает исполнение гарантийного ремонта _____ _____

действителен в случае заполнения ОТРЫВНОЙ ТАЛОН на техническое обслуживание в течении 2 лет гарантийного срока	действителен в случае заполнения ОТРЫВНОЙ ТАЛОН на техническое обслуживание в течении 2 лет гарантийного срока	действителен в случае заполнения ОТРЫВНОЙ ТАЛОН на техническое обслуживание в течении 2 лет гарантийного срока
Заполняет продавец Водонагреватель модель Заводской № _____ _____	Заполняет продавец Водонагреватель модель Заводской № _____ _____	Заполняет продавец Водонагреватель модель Заводской № _____ _____
Дата изготовления _____ (число, месяц, год)	Дата изготовления _____ (число, месяц, год)	Дата изготовления _____ (число, месяц, год)
Продавец _____ (название, адрес)	Продавец _____ (название, адрес)	Продавец _____ (название, адрес)
Дата изготовления _____ (число, месяц, год)	Дата изготовления _____ (число, месяц, год)	Дата изготовления _____ (число, месяц, год)
Материально ответственное лицо _____ (подпись и расшифровка)	Материально ответственное лицо _____ (подпись и расшифровка)	Материально ответственное лицо _____ (подпись и расшифровка)
МП _____	МП _____	МП _____
Корешок отрывного талона на техническое обслуживание в течении 2 лет гарантийного срока эксплуатации	Корешок отрывного талона на техническое обслуживание в течении 2 лет гарантийного срока эксплуатации	Корешок отрывного талона на техническое обслуживание в течении 2 лет гарантийного срока эксплуатации
Изъят _____ 20 г.	Изъят _____ 20 г.	Изъят _____ 20 г.
Исполнитель _____ (подпись и расшифровка)	Исполнитель _____ (подпись и расшифровка)	Исполнитель _____ (подпись и расшифровка)



ADVERTENCIAS

Este aparato no está previsto para su uso por personas con capacidades físicas, sensoriales o mentales reducidas o por personas sin experiencia ni conocimientos (incluidos los niños), salvo que reciban la supervisión o instrucciones previas relativas al uso del aparato por parte de una persona responsable de su seguridad. Es conveniente mantener vigilados a los niños de manera que no jueguen con el aparato. La limpieza y el mantenimiento por parte del usuario no deben ser realizados por niños sin supervisión. La instalación del termo eléctrico debe realizarse por personal cualificado y cumplir con la reglamentación vigente, el Reglamento Electrotécnico de Baja Tensión, el Código Técnico de la Edificación y cualquier otra reglamentación local, autonómica o nacional aplicable.

PRECAUCIÓN: Manipule con cuidado los productos pesados.

1. Instale el termo en un lugar protegido de las heladas. La garantía no cubre los daños ocasionados por el exceso de presión que pueda causar el bloqueo del dispositivo de seguridad. El termo no puede instalarse a la intemperie. Ver limitaciones a la garantía en página 39.
2. Asegúrese de que la pared soporte el peso del aparato lleno de agua.
3. Prevea la ventilación del local en el que se encuentra el aparato si la temperatura ambiente es superior a los 35°C.
4. No instale este producto en los volúmenes V0, V1 (véase fig.1) de un cuarto de baño. Instale el aparato en un lugar de fácil acceso.
5. En caso de utilizar tuberías de PVC, se recomienda la utilización de una válvula termostática a la salida del agua caliente. Regule la temperatura de mezcla en este dispositivo teniendo en cuenta las prescripciones del fabricante de la tubería.
6. En el caso de instalación vertical mural, para permitir un eventual cambio del elemento calefactor deje un espacio libre suficiente debajo de las conexiones del aparato (min. 300 mm). Instale un recipiente de retención con vaciado debajo del termo eléctrico cuando éste se encuentre en un falso techo, en desvanes o encima de locales habitados.
7. Antes de desmontar la tapa, asegúrese de que la alimentación está cortada, para evitar cualquier riesgo de lesión o electrocución.
8. La instalación eléctrica debe incluir un dispositivo de desconexión (disyuntor o fusible), según la normativa local de instalaciones de baja tensión (disyuntor diferencial 30mA).

ADVERTENCIAS

9. Para aquellos termos que incluyan el cable de conexión, en caso de un defecto en éste, se deberá reemplazar por un cable especial suministrado por el fabricante. El cambio deberá ser realizado por un servicio técnico autorizado.
10. Instale obligatoriamente en la entrada del agua fría del termo un dispositivo de seguridad nuevo (presión 0,9 MPa (9 bar), diámetro ½") conforme a la normativa en vigor.
11. Accione el mecanismo de vaciado del dispositivo de seguridad una vez al mes para eliminar los depósitos de cal y comprobar su correcto funcionamiento.
12. No sitúe ningún accesorio hidráulico entre el dispositivo de seguridad y la entrada del agua fría. Instale un reductor de presión (no suministrado) si la presión de alimentación es superior a 0.5 Mpa (5 bar).
13. Conecte el dispositivo de seguridad a una tubería de vaciado para evacuar el agua procedente de la dilatación o del vaciado del termo.
14. Los conductos de canalización utilizados deben soportar temperaturas de 100°C y una presión de 1 MPa (10 bar).
15. Vaciado: Desconecte la alimentación eléctrica y cierre la llave de agua fría. Abra los grifos de agua caliente y accione el mecanismo de vaciado del dispositivo de seguridad.
16. Los productos descritos en este manual pueden ser modificados en cualquier momento para adecuarse a las nuevas tecnologías y a las normativas vigentes. Estos aparatos son conformes a la reglamentación siguiente, Directiva de compatibilidad electromagnética 2014/30/CE, Directiva de aparatos para ser usados en determinados límites de tensión (bajo voltaje) 2014/35/CE, Directiva 2011/65/CE para RoHS y la directiva 2013/814/CE junto con la Directiva 2009/125/CE de Ecodiseño.
17. Este símbolo significa que, si desea deshacerse del producto, una vez transcurrida la vida del mismo, debe depositarlo por los medios adecuados en un gestor de residuos autorizado para la recogida selectiva de Residuos de Aparatos Eléctricos y Electrónicos (RAEE). 
18. Este producto está diseñado para su uso a una altitud máxima de 3000 metros.
19. El conector de tierra del cable debe ir siempre conectado a la toma de tierra o bien al terminal apropiado identificado por el símbolo correspondiente .
20. Puede disponer del manual de instrucciones de este producto poniéndose en contacto con el Servicio de Atención a Cliente.

1. FIJACIÓN

Véase "Advertencias" N°.1 a N°.6

Para la instalación del producto, véase fig. 1 p.2, p.3.

2. CONEXIÓN HIDRÁULICA

Véase "Advertencias" N°.10 a N°.14

Para la conexión hidráulica del producto, véase fig. 3 p. 7.

Limpie a fondo las tuberías de alimentación antes de realizar la conexión hidráulica. Realice la conexión de la salida del agua caliente mediante un manguito dieléctrico para evitar la corrosión de las tuberías (contacto directo hierro/cobre). No utilice nunca un manguito de latón.

Conecte el dispositivo de seguridad a una tubería de vaciado para evacuar el agua procedente de la dilatación o del vaciado del termo eléctrico.

3. CONEXIÓN ELÉCTRICA

Véase "Advertencias" N°.7 a N°.9

Para la conexión eléctrica del producto, véase fig. 4 p. 8.

Conecte el termo únicamente a una corriente alterna monofásica de 220/240 V. Conecte el termo a una toma fija o base de enchufe normalizada con toma de tierra, cuyos conductores sean al menos de 2,5 mm² de sección. Conecte directamente los aparatos que se suministren con un cable o con una toma. Por motivos de seguridad, conecte obligatoriamente a tierra el conductor de tierra del cable o lleve uno de los cables de tierra al borne previsto, debidamente señalado. La longitud del cable de tierra verde/amarillo debe ser superior a la de los cables de las fases. Es necesario que la instalación del termo cuente con un interruptor de corte omnipolar (apertura de los contactos de 3 mm mínimo: fusible, disyuntor). En caso de que las canalizaciones sean de material aislante, los circuitos eléctricos estarán protegidos por un disyuntor diferencial de 30mA conforme a las normas vigentes.

Termostato de seguridad (véase fig. 5 p.5): Todos nuestros productos están equipados con un termostato de seguridad de rearme manual que corta la alimentación del termo en caso de sobrecalentamiento. En caso de activación del dispositivo de seguridad contacte con el Servicio de Asistencia Técnica para que proceda a rearmar el termostato (intervención no cubierta por la garantía). En caso de activación del dispositivo de seguridad:

- corte la corriente antes de realizar cualquier operación,
- quite la carcasa,
- verifique la conexión eléctrica,
- rearme el termostato de seguridad.

Proceda a la sustitución del termostato en caso de activación repetitiva. No cortocircuite nunca el termostato o el dispositivo de seguridad. Conecte los cables de alimentación únicamente sobre las bornas de conexión.

PRECAUCIÓN : No poner nunca bajo tensión el termo eléctrico sin agua. Esto dañaría el elemento de calefacción.

Llene el termo de agua, abriendo la llave de corte del agua fría y los grifos de agua caliente, cuando salga agua por ellos, ciérrelos, empezando por el más bajo y terminando por el más alto (ducha), de esta forma se eliminará el aire del termo y de las tuberías. Verifique la impermeabilidad de las tuberías y de la junta de la brida bajo la carcasa. En caso de fuga, apriete ligeramente. Compruebe el funcionamiento de los dispositivos de seguridad de llenado y de vaciado. Conecte el aparato a la red.


Entre 15 y 30 minutos más tarde, según la capacidad del aparato, el agua goteará por el orificio de la válvula de seguridad. Este fenómeno se debe a la dilatación del agua. Los termos con resistencia blindada pueden producir un ruido de ebullición durante el calentamiento en función de la calidad del agua, este ruido no se debe a ningún tipo de defecto. Para evitar la proliferación de bacterias tales como la legionela, suba la temperatura a 60° una vez al día. Los límites del termostato vienen fijados de fábrica.


IMPORTANTE: Corte la alimentación eléctrica del termo y acuda a un profesional si constata una fuga de agua hirviendo por la válvula de seguridad o al abrir el grifo de agua caliente.

1/ **Selector de funcionamiento:** (Ref. A): Permite elegir el modo de funcionamiento

2/ **Modos de funcionamiento:**



Dial de ajuste 1 (Ref A y D): Selección manual de la temperatura de consigna. La posición Ref. D es la posición máxima de ajuste de la temperatura.

Modo ANTIHIELO  (Ref. B): Ajuste automático a la temperatura de consigna (7°C), permitiendo reducir el consumo eléctrico durante los periodos de ausencia del usuario.

Ducha disponible  (C Ref.): Indicador de agua caliente disponible. Cuando el símbolo de ducha se ilumina significa que el termo dispone de una cantidad de agua caliente para al menos 1 ducha.

SOLUCIÓN DE PROBLEMAS

En caso de funcionamiento anormal del aparato, aparecerá una señal de error .

Fallo	Significado	Comentario
2 parpadeos sucesivos de la ducha, 3 seg. de pausa, 2 parpadeos sucesivos... 	Error 3 : Avería de la sonda	Cambie la sonda
2 parpadeos sucesivos de la ducha, 3 seg. de pausa, 4 parpadeos sucesivos ... 	Error 9 : Relé o fallo del PCB	Cambie el PCB

PRECAUCIÓN: Ante todo desmontaje o manipulación del aparato, asegúrese de que la alimentación ha sido cortada.

1. MANTENIMIENTO DOMÉSTICO

Una vez al mes, se debe activar el mecanismo de descarga de la válvula de seguridad, para evitar su calcificación y verificar que no se encuentra bloqueado. El ignorar esta operación podría provocar el deterioro del aparato y la pérdida de la garantía.

2. MANTENIMIENTO ESPECIALIZADO

- Elimine la cal sin frotar la cuba para evitar el deterioro del revestimiento,
- Cambie el ánodo de magnesio cuando su diámetro sea inferior a 10mm o cada 2 años,
- Para sustituir el elemento de calefacción o el ánodo será necesario vaciar el calentador y reemplazar la junta,
- Vaciado: Corte la alimentación eléctrica y el agua fría, y abra el grifo del agua caliente antes de proceder. Vuelva a colocar el elemento calefactor y apriete las tuercas moderadamente (cierre cruzado), compruebe la estanqueidad un día después y realice los ajustes necesarios. Si el cable está dañado, se debe reemplazar por un cable especial o kit disponible por parte del fabricante o sus distribuidores.

Piezas reemplazables: el termostato, las juntas, el elemento de calefacción, el cuerpo de calefacción, el piloto luminoso, el ánodo de magnesio y el cable de conexión.

La utilización de repuestos ajenos al fabricante conlleva la pérdida de la garantía.

Consejos al usuario:

- Se recomienda tratar el agua cuando presente un valor en TH > 20ºf. En el caso del uso de un tratamiento de agua, la dureza del agua debe permanecer entre 10ºf y 20ºf,
- En el caso de una ausencia prolongada y principalmente en invierno, vacíe su aparato siguiendo este procedimiento.

CAMPOS DE APLICACIÓN DE LA GARANTÍA

La instalación, uso y mantenimiento del termo deben ser conformes a las normas nacionales en vigor y a las instrucciones dadas en este manual. Según Real Decreto Legislativo 1/2007 de 16 de noviembre, este aparato otorga al consumidor una garantía legal efectiva, a partir de la fecha de recepción del producto. Además de la garantía legal establecida en el R.D. Leg. 1/2007 en su A.123, este producto dispone de una garantía comercial suplementaria total de 2 años que incluye los gastos de desplazamiento, mano de obra y cambio de piezas. Adicionalmente, este aparato dispone de 3 años de garantía sobre la cuba (1 en Canarias), según indica la tabla adjunta.

La garantía comercial no limita los derechos del consumidor. Se aplica en el país de adquisición del producto bajo la condición de que haya sido instalado en el mismo país.

Garantía Comercial (España)	2 Años de garantía TOTAL
Garantía Comercial suplementaria sobre la cuba (España)	+3 Años (+1 Año en las Islas Canarias)

La sustitución de una pieza no prolonga la duración de la garantía. Para poder disfrutar de la garantía, acuda a su vendedor o instalador o póngase directamente en contacto con nosotros: Servicio de Asistencia Técnica (SAT) C/ Molinot 59-61, P.I. Camí Ral 08860 Castelldefels (Barcelona). Tel: 902 45 45 66, Fax 902 45 45 20, mail: callcenter@groupe-atlantic.com.

Limitaciones de la garantía: La garantía no cubre el desgaste de las piezas, los aparatos no examinables (difícil acceso tanto para la reparación como para el mantenimiento o el análisis), ni los daños que pueda sufrir un aparato a la intemperie, por culpa de las heladas, de la inestabilidad de la corriente eléctrica, o de la calidad del agua. Si la dureza del agua de red está fuera del rango de 10 °F a 20 °F, es obligatorio, para la garantía, instalar un equipo de tratamiento de agua y mantenerlo adecuadamente.

Condiciones de expiración de la garantía: La garantía se extinguirá si la instalación del aparato no respeta las normas nacionales en vigor o si la conexión hidráulica es incorrecta. También será motivo de extinción la instalación incorrecta de los dispositivos de seguridad contra el exceso de presión, la corrosión anormal causada por una mala conexión hidráulica, una inadecuada conexión a tierra, la inadecuación de la sección del cable eléctrico o el no haber seguido el esquema de conexión indicado en este manual. Igualmente será motivo de extinción de la garantía un mantenimiento inadecuado, las reparaciones o recambios no realizados por el servicio técnico de la empresa o no autorizadas por la misma o la desconexión del dispositivo anticorrosión.

Los productos presentados en este manual de instrucciones pueden ser modificados según las evoluciones técnicas y las normas en vigor.

IMPORTANTE



Este equipamento não se destina ao uso por pessoas (incluindo crianças) com deficiência física, sensorial ou mental, ou por pessoas que não possuem experiência ou conhecimento, a menos que tenham recebido de uma pessoa responsável por sua segurança supervisão adequada ou instruções preliminares sobre como usar o dispositivo. As crianças devem ser supervisionadas para garantir que não brincam com o aparelho.

Esta unidade pode ser usada por crianças de pelo menos 8 anos e pessoas com capacidades físicas, sensoriais ou mentais reduzidas ou sem experiência ou conhecimento se forem devidamente supervisionadas ou se tiverem assimilado as instruções de utilização segura do dispositivo e se os riscos forem tidos em conta. As crianças não devem brincar com o dispositivo. A limpeza e manutenção não devem ser efetuadas por crianças sem a supervisão de um adulto.

CUIDADO: Artigo pesado, manusear com cuidado.

1. Instale o aparelho num local protegido da formação de gelo. Se o aparelho estiver danificado porque o dispositivo de segurança foi bloqueado, ele não está coberto pela garantia.
2. Certifique-se de que a parede na qual o aparelho está montado pode suportar o peso deste quando cheio com água.
3. Se o aparelho for instalado numa sala ou local onde a temperatura ambiente seja superior a 35 ° C, providencie ventilação suficiente.
4. Quando instalado em uma casa de banho, não instale o aparelho nos volumes V0 e V1 (ver fig. 1, p.3/p.5). Se o termoacumulador for instalado acima do espaço de circulação, coloque uma bandeja de retenção com drenagem para o sistema de esgoto. Coloque o termoacumulador num lugar de fácil acesso.
5. Se forem utilizados tubos PER, recomenda-se a instalação de um regulador termostático no tubo de saída do aparelho. Deverá ser configurado de acordo com a performance do material utilizado.
6. Instalação de um dispositivo montado na parede vertical ou horizontal: para permitir a substituição do esquentador deixe um espaço livre de 500mm entre as extremidades do tubo e a parede ou móveis fixos.
7. Desligue o cabo de alimentação antes de remover a tampa, de modo a evitar qualquer risco de lesão ou choque elétrico.
8. A instalação deve estar equipada, a montante do aparelho, com um dispositivo de corte bipolar (fusível, disjuntor) respeitando as regulamentações locais (disjuntor de fuga de terra de 30 mA).

IMPORTANTE

9. Se o cabo de alimentação estiver danificado, este deve ser substituído por um cabo ou conjunto especial disponível no fabricante ou no serviço pós-venda. Instalação obrigatória de um dispositivo de segurança num local sem formação de gelo (ou qualquer outro dispositivo novo que limite a pressão do tanque) a 0,7 ou 0,9 MPa (7 ou 9 bar) de acordo com a pressão nominal, com ligação de 1/2" na entrada do esquentador respeitando os regulamentos locais
10. Operar regularmente a descarga da válvula de segurança para evitar acumulações e verificar se não está bloqueado.
11. Os acessórios hidráulicos não devem estar localizados entre a válvula de segurança e a entrada de água fria. É necessário um redutor de pressão (não fornecido) quando a pressão de alimentação de água exceder 0,5 MPa (5 bar) 0,5 MPa e deverá ser montada na entrada principal.
12. Conecte a válvula de segurança a um tubo de saída não pressurizado num local sem formação de gelo, com uma inclinação contínua para evacuar a água durante o aquecimento ou a drenagem do termoacumulador.
13. Os tubos utilizados devem suportar 1 MPa (10 bar) e 100 ° C.
14. Para drenar o dispositivo: desligue a alimentação e o fornecimento de água fria, abra as torneiras de água quente e actue a válvula de segurança.
15. Os produtos descritos neste manual estão sujeitos a alterações a qualquer momento para estarem de acordo com a tecnologia e os padrões. Os dispositivos estão em conformidade com a Diretiva Electromagnética 2014/30 / UE, Diretiva de Baixa Tensão 2014/35 / UE, Diretiva 2011/65 / UE para RoHS e Regulamento 2013/814 / UE que completa a Diretiva 2009/125 / EC para o design ecológico.
16. Não descarte o aquecedor de água no lixo, mas entregue-o num local designado para esse efeito (ponto de recolha) onde poderá ser reciclado. 
17. Este produto destina-se a ser utilizado a uma altitude máxima de 3000m.
18. Conecte sempre o condutor de terra do cabo à terra ou conecte o condutor de terra ao terminal apropriado identificado pelo símbolo .
19. O livro de instruções deste produto está disponível contactando o serviço pós.

1. MONTAGEM DO EQUIPAMENTO

Consulte «Avisos gerais» N°1 a N°6

Para a instalação do produto, consulte os desenhos da secção 2, da página 3 à página 6.

2. CONEXÃO HIDRÁULICA

Consulte «Avisos gerais» N°10 a N°14

Para conexão hidráulica, consulte os desenhos da secção 4, página 8.

É necessário limpar a tubagem de alimentação antes de efetuar a conexão hidráulica. A conexão com a saída de água quente deve ser efetuada com uma união de ferro fundido ou aço ou um conector dielétrico, para evitar a corrosão do tubo (contacto direto com ferro/cobre). É proibida a utilização de acessórios de latão.

Instale sempre um novo dispositivo de segurança no tubo de água fria do esquentador, que cumpra com os padrões (EN 1487 na Europa), com uma pressão de 0,7 ou 0,9 MPa (7 ou 9 bar) de acordo com a pressão nominal, com adaptador de diâmetro: 1/2" ou 3/4", conforme a gama de produtos.

CUIDADO: Não use a válvula de segurança incluída nesta embalagem em França (incluindo departamentos ultramarinos).

3. CONEXÃO ELÉTRICA

Para conexão elétrica, consulte os desenhos da secção 4, página 8

O termoacumulador pode ser conectado e operado somente em AC 230V. Conecte a resistência com um cabo rígido com condutores de 2,5 mm². Use uma canalização padronizada (conduta rígida ou flexível) até à tampa da caixa calibrada.

Conecte diretamente dispositivos com um cabo ou ficha. Em França, um produto com ficha é estritamente proibido e não pode ser vendido e instalado.

Conecte sempre o condutor de terra do cabo ao fio terra ou conecte o condutor de terra ao terminal apropriado identificado pelo símbolo. Esta ligação é obrigatória por razões de segurança. O fio de terra verde - amarelo deve ser maior do que o das fases. A instalação deve estar equipada com um dispositivo de corte bipolar (distância mínima de contato de 3 mm fusível, chave de corte). No caso de um disjuntor, o disjuntor deve ser protegido por um disjuntor diferencial.

Disjuntor térmico (consulte os desenhos da secção 4, página 8): Todos os nossos produtos estão equipados com um termostato com disjuntor térmico e reinicialização manual que corta a alimentação do aquecedor de água em caso de sobreaquecimento. Por questões de segurança:

- desligue o aparelho antes de realizar qualquer outra ação,
- remova a tampa,
- verifique as conexões elétricas,
- ligue e desligue o disjuntor térmico.

Se o disjuntor continuar a disparar, substitua o termostato. Nunca desligue o corte de segurança ou o term.

PRECAUÇÃO : No poner nunca bajo tensión el termo eléctrico sin agua. Esto dañaría el elemento de calefacción.

Llene el termo de agua, abriendo la llave de corte del agua fría y los grifos de agua caliente, cuando salga agua por ellos, ciérrelos, empezando por el más bajo y terminando por el más alto (ducha), de esta forma se eliminará el aire del termo y de las tuberías. Verifique la impermeabilidad de las tuberías y de la junta de la brida bajo la carcasa. En caso de fuga, apriete ligeramente. Compruebe el funcionamiento de los dispositivos de seguridad de llenado y de vaciado. Conecte el aparato a la red.

Entre 15 y 30 minutos más tarde, según la capacidad del aparato, el agua goteará por el orificio de la válvula de seguridad. Este fenómeno se debe a la dilatación del agua. Los termos con resistencia blindada pueden producir un ruido de ebullición durante el calentamiento en función de la calidad del agua, este ruido no se debe a ningún tipo de defecto. Para evitar la proliferación de bacterias tales como la legionela, suba la temperatura a 60° una vez al día. Los límites del termostato vienen fijados de fábrica.

CUIDADO: NUNCA LIGUE O TERMOACUMULADOR SEM ÁGUA: Modelos com resistência acabarão certamente danificados.


Encha completamente o tanque. Antes de ligar, abra as torneiras de água quente e drene os tubos para esvaziar o ar.


Verifique a rigidez dos tubos e da vedação da flange sob a tampa de plástico. Em caso de fuga aperte moderadamente. Verifique o funcionamento dos componentes hidráulicos e da válvula de segurança.

Ligue o aparelho. Após 45 a 60 minutos, dependendo da capacidade do dispositivo, a água deve escorrer do dreno. Isso é normal e devido à expansão da água. Verifique vazamentos de conexão e vedação. Durante o aquecimento e de acordo com a qualidade da água, os tanques de água quente podem fazer um barulho borbulhante. Esse ruído é normal e não indica nenhum defeito da unidade.

1. LINHA FLAT


BOTÃO DE REGULAÇÃO (Ref A e D): Seleção manual da temperatura. A posição. D indica a posição da temperatura máxima.


Modo ANTI-CONGELAMENTO  (Ref. B): Regulação automática da temperatura de anti-congelamento (7°C), de forma a reduzir os consumos de energia nos períodos de ausência prolongada.

BANHO PRONTO  (Ref. C): Indicador de água quente disponível. Quando o símbolo de banho estiver fixo, indica que tem água quente disponível para pelo menos 1 banho.

2. LINHA QUADRADA



BOTÃO DE REGULAÇÃO (Ref A e D): seleção manual da temperatura. Posição da referência C indica a posição de temperatura máxima.

Modo ANTI-CONGELAMENTO  (Ref. B): Regulação automática à temperatura anti-CONGELAMENTO (7 ° C), para reduzir o consumo elétrico durante os períodos de ausência PROLONGADA.

INDICADOR de FUNCIONAMENTO  (Ref. D): Quando o símbolo da resistência está ligado, o aparelho está a aquecer.

Quando ocorre uma avaria, a interface do usuário do aparelho pode exibir um código de erro .

1. LINHA FLAT

Avaria (estado do LED)	Significado	Instrução
2 «chuveiro sucessivo» piscando, 3 segundos de pausa, 2 chuveiro sucessivo piscando... 	Erro 3: Falha da sonda	Mudar sonda
2 «chuveiro» sucessivos piscando, 3 segundos de pausa, 4 chuveiro sucessivo piscando ... 	Erro 9: Falha de retransmissão ou PCB	Mudar PCB

2. LINHA QUADRADA

Nada

CUIDADO: Antes de remover a tampa de plástico, certifique-se de que a alimentação está desligada para evitar qualquer risco de lesão ou choque elétrico

1. MANUTENÇÃO PELO USUÁRIO

Opera uma vez por mês a descarga da válvula de segurança para evitar a sobrepessão do depósito e verifique se o dispositivo de segurança não está bloqueado. Se isso não for feito, podem ser causados danos e a garantia invalidada. Para uma instalação com bomba de recirculação: antes de iniciar, após um longo período sem uso, rode o rotor de acordo com as instruções do fabricante.

2. MANUTENÇÃO POR UMA PESSOA QUALIFICADA

- Manutenção: remova os eventuais detritos acumulados. Não raspe nem martele o calcário depositado na cuba, pois isso pode danificar o revestimento.
- Ânodo de magnésio: altere o ânodo de magnésio a cada 2 anos ou quando o seu diâmetro for inferior a 10 mm.
- Resistência elétrica: a substituição de um elemento de aquecimento blindado envolve a drenagem do termoacumulador e a substituição da junta da flange. Volte a montar o elemento de aquecimento, porcas razoavelmente apertadas (aperto cruzado), verifique se não há fuga após o primeiro aquecimento, aperte novamente se necessário.
- Drenagem: desligue o fornecimento de energia e água fria. Abra as torneiras de água quente e a válvula de segurança do termoacumulador.

Lista de peças sobressalentes: termostato, junta de flange, elemento de aquecimento, indicador de luz de aquecimento, ânodo de magnésio, fios de conexão, interruptor elétrico. **A garantia exige o uso de peças genuínas do fabricante.**

Conselhos para o usuário

- Quando a água tem um TH > 20 ° f, recomenda-se que seja tratada. Quando usar um amaciador, a dureza da água deve permanecer acima de 15 ° f.
- Em caso de ausência prolongada, especialmente no inverno, esvazie o aparelho de acordo com o proced

O termoacumulador deve ser instalado, usado e mantido de acordo com as melhores práticas e conforme as normas em vigor no país em que está instalado e as instruções contidas neste documento. Na União Europeia, este aparelho está coberto pela garantia legal concedida aos consumidores em conformidade com a Diretiva 1999/44 / CE. Esta garantia entra em vigor quando o aparelho é entregue ao consumidor. Além da garantia legal, certos itens são cobertos por uma garantia adicional relativa apenas à troca gratuita do tanque e aos componentes aceites como defeituosos. Não inclui o custo de substituição ou transporte. Consulte a tabela abaixo. Esta garantia comercial não afeta seus direitos legais. Aplica-se no país onde o produto foi adquirido, desde que também esteja instalado no mesmo país. O revendedor deve ser informado de qualquer dano antes de o produto ser trocado sob garantia e o aparelho permanecerá disponível para inspeção por especialistas da companhia de seguros e do fabricante.

Garantia obrigatória	2 anos
Garantia extra comercial da cuba vitrificada e da resistência elétrica	+3 anos

Exclusões: peças de desgaste: ânodos de magnésio. O equipamento que não pode ser avaliado (acesso difícil para reparação, manutenção ou avaliação). Equipamento exposto a condições ambientais anormais: geada, má localização, água que é anormalmente agressiva ou fora de padrões de consumo, fornecimento elétrico com picos grandes. Equipamento instalado sem observar os padrões atuais no país de instalação: ausência ou montagem incorreta de dispositivos de segurança, corrosão anormal devido a ajustes de água incorretos (contato ferro/cobre), aterramento incorreto, espessura inadequada do cabo, falta de observação dos desenhos de conexão mostrados nestas instruções. Equipamento não mantido de acordo com estas instruções. Reparação ou substituição de peças ou componentes no equipamento não realizado ou autorizado pela empresa responsável pela garantia. Alterar um componente não amplia a vida da garantia.

Os produtos ilustrados nestas instruções podem ser modificados a qualquer momento para refletir as mudanças no fabrico e as normas atuais.

Para reivindicar a garantia, entre em contacto com seu instalador ou revendedor. Se necessário, contacte: ESPANHA e PORTUGAL: Pol.Industrial Cami Ral, Calle Molinot 59-62 – 08860 – Castelldefels (Barcelona) , Espanha Tel : 00 34 902 45 45 66 /

ITÁLIA : 848 800 929 (al solo costo di uno chiamata a tariffa urbana) / POLÓNIA : ul. Plochocińska 115 , 03-044 Warszawa Tel (0800)-548-098 / OUTROS PAÍSES: +33 23 87 13 846

Que o irão informar acerca do que deve fazer. A Garantia apenas se aplica a equipamentos verificados e aceites como defeituosos pelo Fabricante ao abrigo da Garantia. É essencial que os equipamentos sejam mantidos até que o Fabricante os analise.

Tipo / Referência:		CARIMBO DISTRIBUIDOR
Número de série:		
Nome e morada do cliente:		

AVVERTENZE GENERALI

Questo apparecchio non deve essere utilizzato da persone (bambini inclusi) con disabilità fisiche, sensoriali o mentali, o da persone da persone prive di esperienza o di conoscenza senza la supervisione di persone che assumano la responsabilità della loro sicurezza e del corretto utilizzo dell'apparecchio. L'apparecchio deve essere tenuto fuori dalla portata dei bambini che potrebbero servirsene per i loro giochi.

Questo apparecchio può essere usato da bambini di almeno 8 anni e da persone con disabilità fisiche, sensoriali o mentali, o da persone prive di esperienza o di conoscenza che siano adeguatamente controllate e istruite (tramite questo manuale d'uso e di sicurezza) relativamente all'uso dell'apparecchio da persone responsabili per la loro sicurezza.

I bambini non devono giocare con l'apparecchio. Le operazioni di pulizia e manutenzione non devono essere effettuate da bambini.


ATTENZIONE! Oggetto pesante, maneggiare con cura:

1. Installare l'apparecchio in una stanza protetta dal gelo. Se l'apparecchio è danneggiato a causa del blocco del Sistema di sicurezza, la garanzia non è valida.
2. Assicurarci che la parete sulla quale viene montato l'apparecchio possa supportare il peso dell'apparecchiatura con pieno carico d'acqua,
3. Se l'apparecchio deve essere installato in una stanza o luogo dove la temperatura ambiente supera i 35°C, assicurare una ventilazione sufficiente.
4. Quando viene posizionato in un bagno, non installare l'apparecchio in volumi V0 e V1 (Vedi fig. 1, p.3/p.5). Se lo scaldacqua si deve installare sopra uno spazio abitabile, montare un serbatoio di contenimento con scarico alla rete fognaria. Posizionare lo scaldacqua in una posizione facilmente accessibile.
5. Se vengono impiegati tubi PE, è fortemente raccomandata l'installazione di un regolatore termostatico sul tubo di uscita dell'apparecchio. Esso sarà scelto in base alle prestazioni del materiale utilizzato.
6. L'installazione di un apparecchio su parete verticale o orizzontale: per consentire la sostituzione dell'elemento riscaldante prevedere almeno 500mm di spazio tra la parte finale del tubo e la parete o gli arredi fissi.
7. Scollegare l'apparecchio dalla rete di alimentazione spegnendo l'interruttore dell'impianto prima di togliere il coperchio, per evitare ogni pericolo di lesioni o scariche elettriche.

AVVERTENZE GENERALI

8. L'installazione deve essere equipaggiata, a monte dell'apparecchio, con un interruttore bipolare cut-out (fusibile, interruttore) rispettando le normative locali (30 mA interruttore di differenziale).
9. Se il cavo di alimentazione è danneggiato, occorre sostituirlo con un cavo speciale o assemblato, disponibile presso il produttore o nei centri di assistenza.
10. E' previsto il montaggio obbligatorio di un dispositivo di sicurezza in una posizione non soggetta al gelo (o di qualsiasi altro nuovo dispositivo adatto a limitare la pressione del serbatoio) a 0,7 o 0,9 MPa (7 o 9 bar) in funzione della pressione nominale, con una dimensione di 1/2» nell'ingresso dello scaldabagno, nel rispetto delle normative locali.
11. Tale dispositivo contro le sovrappressioni deve essere controllato regolarmente (ogni mese) per rimuovere i depositi e per verificare che non sia bloccato.
12. Non devono essere montati accessori idraulici tra la valvola di sicurezza e l'ingresso dell'acqua fredda. È richiesto l'utilizzo di un riduttore di pressione (non in dotazione) quando la pressione di alimentazione dell'acqua supera 0,5 MPa (5 bar) che verrà montato sull'alimentazione generale.
13. Collegare il dispositivo di sicurezza a un tubo di scarico non sottoposto a pressione in un luogo al riparo dal gelo, con una pendenza continua per evacuare l'acqua in caso di eccessivo riscaldamento oppure per svuotare lo scaldacqua.
14. I tubi utilizzati devono sopportare 1MPa (10 bar) e 100 ° C.
15. Per svuotare il dispositivo: spegnere l'alimentazione elettrica e la fornitura di acqua fredda, aprire i rubinetti dell'acqua calda ed agire sulla valvola di sicurezza. Far defluire l'acqua dallo scaldabagno per gravità staccando i collegamenti idraulici e riporli.
16. I prodotti descritti in questo manuale sono soggetti a modifiche in qualsiasi momento per mantenerli in conformità con la tecnologia e gli standard. I dispositivi sono conformi alla direttiva elettromagnetica 2014/30 / UE, Direttiva Bassa Tensione 2014/35 / UE, la direttiva 2011/65 / UE per RoHS e la regolamentazione 2013/814 / UE direttiva che completa 2009/125 / CE per la progettazione ecocompatibile.
17. Non smaltire lo scaldabagno con la spazzatura, ma portarlo in un luogo adeguato per questo scopo (punto di raccolta) dove può essere riciclato. 
18. Questo prodotto è destinato per l'uso ad una altitudine non superiore a 3000m.

AVVERTENZE GENERALI

19. Collegare sempre il conduttore di terra al cavo per la messa a terra o collegare il conduttore di terra al terminale adeguato identificato dal simbolo .
20. Il manuale d'istruzione di questo prodotto è disponibile contattando il servizio dopo vendita.

1. MONTAGGIO DEL PRODOTTO

Vedere "Avvertenze Generali" dal N°.1 al N°.6

Per l'installazione del prodotto, fare riferimento ai disegni della sezione 2 pagina 3 e pagina 6.

2. COLLEGAMENTO IDRAULICO


Vedere "Avvertenze Generali" dal N°.10 al N°.14

Per i collegamenti idraulici, fare riferimento ai disegni in sezione 3 pagina 7.

- È necessario pulire il condotto di carico acqua prima di procedere ai collegamenti idraulici. Il collegamento all'uscita di acqua calda deve essere effettuato con un manicotto in ghisa o in acciaio o un connettore dielettrico, per evitare la corrosione del tubo (contatto diretto ferro/rame). L'uso di raccordi in ottone è vietato.
- Installare sempre un nuovo dispositivo di sicurezza sul tubo dell'acqua fredda dello scaldabagno, che rispetti gli standard (EN 1487 in Europa), con una pressione di 0,7 o 0,9 MPa (7 o 9 bar) in funzione della pressione nominale, con diametro di 1/2 «.
- **ATTENZIONE:** Non usare la valvola di sicurezza inclusa in questa confezione in Francia (paese di origine e dipartimenti francesi d'oltremare).

3. COLLEGAMENTO ELETTRICO

Per i collegamenti idraulici, fare riferimento ai disegni in sezione 4 pagina 8.

- Lo scaldacqua può essere collegato e fatto funzionare solo con corrente alternata di 230V. Collegare il riscaldatore con un cavo rigido con conduttori di 2,5mm². Utilizzare una canalina standardizzata (a condotto rigido o flessibile) per calibrare l'alloggiamento del coperchio.
- Collegare direttamente le apparecchiature con un cavo o con una spina. In Francia, un prodotto con spina è rigorosamente vietato e non può essere venduto e installato.
- La messa a terra dell'apparecchio è obbligatoria e il cavo di terra va fissato al morsetto in corrispondenza del simbolo . Questo collegamento è obbligatorio per motivi di sicurezza. Il cavo di terra verde-giallo deve essere più lungo degli altri due cavi di fase. L'installazione deve essere equipaggiata, a monte dell'apparecchio, con un dispositivo di taglio bipolare (fusibile con distanza minima dei contatti a 3 mm, interruttore differenziale). Nel caso in cui siano presenti collegamenti idraulici in materiale isolante, i circuiti elettrici devono essere protetti da un interruttore differenziale da 30 mA adatto agli standard locali.

Interruttore magneto termico (vedi disegni la sezione 5 a pagina 4): Tutti i nostri prodotti sono dotati di un termostato con protettore termico a ripristino manuale che interrompe l'alimentazione elettrica allo scaldacqua in caso di surriscaldamento. In caso di intervento di sicurezza:

- disattivare l'alimentazione elettrica prima di intraprendere qualsiasi ulteriore azione,
- rimuovere il coperchio,
- verificare i collegamenti elettrici,
- ripristinare l'interruttore magneto termico,

Se l'interruttore del circuito continua a scattare, sostituire il termostato. Non mandare mai in cortocircuito l'interruttore di sicurezza o il termostato. Collegare il cavo di alimentazione elettrica solo tramite morsetti.


ATTENZIONE: NON METTERE MAI IN TENSIONE LO SCALDACQUA PRIMA DI AVERLO RIEMPIUTO CON ACQUA: I modelli con un elemento riscaldante elettrico ne sarebbero sicuramente danneggiati.


- Riempire il serbatoio completamente. Prima dell'accensione aprire i rubinetti dell'acqua calda e spurgare i tubi per sfiatare l'aria.
- Verificare la tenuta dei tubi e della guarnizione della flangia sotto il coperchio di plastica. In caso di perdite serrare moderatamente. Controllare il funzionamento dei componenti idraulici e della valvola di sicurezza.
- Accendere l'apparecchio. Dopo un lasso di tempo compreso tra 45 e 65 minuti, in relazione alla capacità del dispositivo, inizierà a sgocciolare acqua dallo scarico. Questo è normale ed è dovuto all'espansione dell'acqua. Controllare se ci sono perdite ai collegamenti e sigillare. Durante il riscaldamento ed in relazione alla qualità dell'acqua, i serbatoi di acqua calda potrebbero emettere un rumore di gorgoglio. Questo rumore è normale e non indica nessun tipo di difetto del prodotto.

Lo scaldabagno è dotato di uno display che permette di scegliere la modalità di funzionamento (vedere il disegno Sezione 4 pagina 4).

1. GAMMA A PARETE


Manopola di regolazione (Rif A e D): scelta manuale della temperatura di funzionamento. La posizione Rif. D è la posizione massima di regolazione della temperatura.


Modalità FROST FREE  (Rif. B) : regolazione automatica alla temperatura antigelo (7 ° C), al fine di ridurre il consumo elettrico durante i periodi di assenza dell'utente.

Doccia pronta  (Rif. C): Indicatore di acqua calda disponibile. Quando il simbolo doccia è acceso, significa che è disponibile una quantità di acqua calda maggiore o uguale a 1 doccia.

2. GAMMA A PAVIMENTO



manopola di regolazione (Rif A e D) : selezione manuale della temperatura. Posizione di rif. C è la posizione di settaggio max temperatura.

MODALITÀ ANTIGELO  (Rif. B): regolazione automatic temp antigelo (7°C), così da ridurre consumi elettrici durante i periodi di assenza.

INDICATORI DI RISCALDAMENTO  (Rif. D):. Quando il simbolo doccia è ON, il prodotto sta scaldando.

Quando si verifica un malfunzionamento, l'interfaccia utente del dispositivo può visualizzare un codice di errore .

1. GAMMA A PARETE

Guasto (Stato dei LED)	Significato	Osservazioni
2 lampeggi consecutivi della doccia, 3 sec. di pausa, 2 lampeggi consecutivi... 	Errore 3 : Guasto alla sonda	Sostituire sonda
2 parpadeos sucesivos de la ducha, 3 seg. de pausa, 4 parpadeos sucesivos ... 	Errore 9 : Guasto al relè o alla scheda PCB	Sostituire scheda PCB

2. GAMMA A PAVIMENTO

Nulla.

MANUTENZIONE

ATTENZIONE: Prima di rimuovere la copertura in plastica, assicurarsi che l'apparecchio sia disconnesso dalla corrente elettrica per evitare ogni rischio di lesioni e scariche elettriche.

1. MANUTENZIONE - UTENTE

Almeno una volta al mese, azionare manualmente la valvola di sicurezza per prevenire il deposito di incrostazioni e verificare che il dispositivo di sicurezza non sia bloccato. Se questa precauzione non viene effettuata, si possono verificare danni che invalidano la garanzia. Per una installazione con pompa ausiliaria, prima di avviarla dopo un lungo periodo di fermo girare il rotore secondo le indicazioni fornite nel manuale di istruzione del produttore.

2. MANUTENZIONE – INSTALLATORE (EFFETTUATA DA PERSONALE QUALIFICATO)

- Incrostazioni: rimuovere i fanghi e le incrostazioni. Non raschiare o martellare i depositi di calcare sul carter in quanto ciò potrebbe danneggiare il rivestimento.

- Anodo di magnesio: sostituire l'anodo a magnesio ogni due anni o quando il suo diametro scende sotto i 10mm.

- Elemento riscaldante: la sostituzione di una resistenza corazzata implica lo svuotamento del boiler e la sostituzione della guarnizione flangia. Rimontare l'elemento riscaldante, serrare i dadi in maniera ragionevolmente stretta (serraggio a croce), verificare che non vi siano perdite dopo il primo riscaldamento, serrare di nuovo se necessario

- Scarico: disconnettere l'alimentazione elettrica e l'approvvigionamento di acqua fredda. Aprire i rubinetti dell'acqua calda e la valvola di scarico del dispositivo di sicurezza.

Elenco dei ricambi: termostato, guarnizione flangia, elemento riscaldante, luce spia riscaldamento, anodo di magnesio, cavi di collegamento, interruttore elettrico. **Il mantenimento della garanzia richiede l'impiego di ricambi originali del produttore.**

Avviso all'utilizzatore:

- Quando l'acqua ha una durezza > 20°f, se ne raccomanda il trattamento. Quando si impiega un addolcitore, la durezza dell'acqua deve rimanere al di sotto dei 15°f.

- In caso di assenza prolungata, specialmente in inverno, svuotare il vostro apparecchio secondo la procedura sopra indicata.

Lo scaldabagno deve essere installato, utilizzato e mantenuto secondo le migliori pratiche e in conformità alle norme in vigore nel paese in cui viene installato e secondo le istruzioni contenute in questo manuale. Nell'Unione europea questo apparecchio è coperto dalla garanzia legale accordata ai consumatori in conformità alla direttiva 1999/44 / CE. Questa garanzia entra in vigore nel momento in cui l'apparecchio è consegnato al consumatore. Oltre alla garanzia legale, alcuni apparecchi sono coperti da una garanzia supplementare relativa solo al libero scambio di serbatoio e di componenti riconosciute difettose. Non include il costo di sostituzione o il trasporto. Fare riferimento alla tabella qui sotto. Questa garanzia commerciale non pregiudica i diritti legali. Si applica all'interno del paese in cui il prodotto è stato acquistato, a condizione che sia installato anche nello stesso paese. Il concessionario deve essere informato di eventuali danni prima che il prodotto viene scambiato in garanzia e l'apparecchio rimarrà disponibile per l'ispezione da parte di esperti della compagnia di assicurazione e il produttore.

Garanzia di base	2 anni
Garanzia commerciale estesa su serbatoio smaltato e resistenza	+3 anni

Esclusioni: Parti soggette a consumo: anodo di magnesio. Apparecchiature che non possono essere valutate (per difficoltà di accesso alla riparazione, la manutenzione o la valutazione). Apparecchiature esposte a condizioni ambientali anomale: gelo, maltempo, l'acqua che è estremamente aggressiva o al di fuori dei parametri di potabilità, tensione della corrente elettrica con eccessive oscillazioni. Attrezzatura installata senza osservare le norme vigenti nel Paese di installazione: l'assenza o montaggio errato dei dispositivi di sicurezza, la corrosione anomala a causa di impianti tecnici non corretti acqua (ferro / contatto in rame), la messa a terra non corretta, spessore del cavo inadeguata, inosservanza dei disegni di connessione mostrati in queste istruzioni. Attrezzatura non mantenuta in conformità con queste istruzioni. Le riparazioni o sostituzione di parti o componenti l'apparecchiatura non eseguiti o autorizzati dalla società responsabile per la garanzia. La sostituzione di un componente non prolunga la durata della garanzia.

I prodotti illustrati in queste istruzioni possono essere modificati in qualsiasi momento per riflettere i cambiamenti di produzione e norme vigenti.

Per gli interventi e informazioni sulla garanzia, contattare il proprio installatore o rivenditore. Se necessario, rivolgersi a:

SPAGNA e PORTOGALLO: Pol.Industrial Cami Ral, Calle Molinot 59-62 – 08860 – Castelldefels (Barcelona)
Tél : 902 45 45 66 /

ITALIA : 848 800 929 (al solo costo di una chiamata a tariffa urbana)

POLONIA : ul. Plochocińska 115 , 03-044 Warszawa tel (0800)-548-098 / ALTRI PAESI: +33 23 87 13 846

Che provvederanno alle informazioni necessarie. La garanzia vale solo per esaminare i prodotti che sono accettati come difettosi da parte della società responsabile per la garanzia. E' necessario che i prodotti vengano trattenuti per l'ispezione da parte loro.

Tipo / Referenza:		TIMBRO DEL RIVENDITORE
Numero Seriale:		
Nome e indirizzo del cliente:		

OSTRZEŻENIA OGÓLNE

Urządzenie nie jest przeznaczone do używania przez osoby (w tym dzieci) z niepełnosprawnością fizyczną, sensoryczną lub psychiczną lub przez osoby, którym brakuje doświadczenia lub wiedzy, chyba że osoby odpowiedzialne za ich bezpieczeństwo zapewnią odpowiedni nadzór lub wstępne instrukcje dotyczące korzystania z urządzenia. Należy pilnować dzieci, by mieć pewność, że nie będą bawiły się urządzeniem.

Z urządzenia mogą korzystać dzieci poniżej 8 roku życia, jak również osoby z ograniczonymi fizycznymi, sensorycznymi lub psychicznymi zdolnościami lub osoby bez wiedzy lub doświadczenia, jeżeli znajdują się pod odpowiednim nadzorem lub jeżeli udzielono instrukcji na temat bezpiecznego użytkowania urządzenia i zostanie uwzględnione ryzyko. Dzieciom nie wolno bawić się urządzeniem. Dzieciom nie wolno myć urządzenia i przeprowadzać prac konserwacyjnych bez nadzoru.

UWAGA! Ciężki przedmiot, przenosić ostrożnie:

1. Zainstalować urządzenie w pomieszczeniu, które jest chronione przed mrozem. Jeżeli zniszczenia wynikają z zablokowania urządzenia bezpieczeństwa, nie jest ono objęte gwarancją.
2. Upewnić się, że ściana, na której urządzenie jest montowane wytrzyma wagę urządzenia, kiedy zostanie ono napełnione wodą.
3. Jeżeli urządzenie ma zostać zainstalowane w pomieszczeniu lub w lokalizacji, gdzie temperatura otoczenia przekracza 35°C, zapewnić odpowiednią wentylację.
4. W przypadku instalacji w łazience, nie instalować urządzenia w przestrzeniach V0 i V1 (zob. rys. 1, p.3/p.5). Jeżeli podgrzewacz wody ma być zainstalowany powyżej przestrzeni, w jakiej poruszają się osoby, należy wyposażyć ogrzewacz w odpływ do systemu kanalizacji. Umieścić ogrzewacz wody w łatwo dostępnym miejscu.
5. Jeżeli stosowne są rury PER, zdecydowanie zaleca się zainstalowanie regulatora a termostatycznego na rurze wylotowej urządzenia. Zostanie on nastawiony zgodnie z właściwościami stosowanego materiału.
6. Zainstalowanie pionowo lub poziomo urządzenia na ścianie: by umożliwić wymianę elementu grzewczego pozostawić wolną przestrzeń 500mm między końcówkami rury a ścianą lub meblem, na których urządzenie jest montowane.
7. Wyłączyć zasilanie przed zdjęciem pokrywy, by zapobiec ryzyku, urazom lub wstrząsowi elektrycznemu.
8. W pierwszym odcinku instalacja musi być wyposażona w dwubiegunowe urządzenie odcinające (bezpiecznik, wyłącznik) z przestrzeganiem lokalnych przepisów (30 mA bezpiecznik różnicowy).

OSTRZEŻENIA OGÓLNE

9. Jeżeli przewód zasilający jest uszkodzony, musi być zastąpiony specjalnym przewodem lub instalacją, dostępną u producenta lub w serwisie posprzedażowym.
10. Obowiązkowa instalacja urządzenia bezpieczeństwa w lokalizacji niezagrażonej występowaniem mrozu (lub dowolnego innego urządzenia, które ogranicza ciśnienie zbiornika) do 0.7 lub 0.9 MPa (7 lub 9 bar) zgodnie z ciśnieniem nominalnym, z rozmiarem 1/2» przy wlocie wody do podgrzewacza, przestrzegając lokalnie obowiązujących przepisów
11. Regularnie sprawdzać opływ urządzenia bezpieczeństwa, by zapobiec osadzeniu kamienia i sprawdzić czy urządzenie się nie blokuje.
12. Akcesoria hydrauliczne nie powinny znajdować się między zaworem bezpieczeństwa a wpływem zimnej wody. Wymagany jest reduktor ciśnienia (nie dostarczony) jeżeli ciśnienie podawanej wody przekracza 0,5 MPa (5 bar) 0 i należy go zamontować na głównym zasilaniu.
13. Podłączyć urządzenie bezpieczeństwa do bezciśnieniowej rury wylotowej, w lokalizacji niezagrażonej występowaniem mrozu, o stałym pochyleniu by odprowadzać wodę w czasie podgrzania lub przy odprowadzaniu wody z urządzenia grzewczego.
14. Rury muszą wytrzymać 1 MPa (10 bar) i 100 ° C.
15. Celem spuszczenia wody z urządzenia należy wyłączyć zasilanie i odciąć dopływ zimnej wody, odkręcić kraniki z gorącą wodą i pokręcić zaworem bezpieczeństwa.
16. Produkty opisane w tej instrukcji podlegają okresowym zmianom zgodnie z technologią i standardami. Urządzenie spełnia wymogi Dyrektywy Elektromagnetycznej 2014/30/UE, Dyrektywy niskonapięciowej 2014/35/UE, Dyrektywy UE RoHS 2011/65/UE oraz Regulacji UE 2013/814/ będącej uzupełnieniem Dyrektywy 2009/125/EC w sprawie ekoprojektu.
17. Nie wyrzucać podgrzewacza wody do śmieci, oddać je w przeznaczone w tym celu miejsce (punkt zbierania) gdzie może zostać przetworzone. 
18. Produkt przeznaczony do stosowania do maksymalnej wysokości 3000m.
19. Zawsze podłączyć przewód uziemiający kabla do uziemienia lub podłączyć przewód uziemiający do odpowiedniego terminala określonego symbolem .
20. Instrukcja produktu, w postaci książki, jest dostępna po skontaktowaniu się z serwisem posprzedażowym.

1. INSTALACJA PRODUKTU

Zobacz „ostrzeżenia ogólne” numery 1-6 By zainstalować produkt, spojrzeć na rysunki w sekcji 2 strony od 3 do 6.

2. PODŁĄCZENIE HYDRAULICZNE

Zobacz „ostrzeżenia ogólne” numery od 10 do 14

Przy podłączeniu hydraulicznym, spojrzeć na rysunki w sekcji 3 strona 7.

- konieczne jest wyczyszczenie rur zasilających przed podłączeniem hydrauliki. Podłączenie z wyjściem ciepłej wody należy wykonać z rękawa żeliwnego lub stalowego lub złącza dielektrycznego, by uniknąć korozji rury (bezpośredni kontakt żelaza / miedzi). Stosowanie mosiężnych okuć jest zabronione.
- Zawsze instalować nowe urządzenie bezpieczeństwa na rurze z zimną wodą podgrzewacza wody, co jest zgodne ze standardami (EN 1487 w Europie), z ciśnieniem 0.7 lub 0.9 MPa (7 lub 9 bar) zgodnie z ciśnieniem nominalnym, z dostosowaniem średnicy: 1/2» lub 3/4", zgodnie z zakresem produktu.
- **UWAGA:** Nie stosować zaworu bezpieczeństwa z tego zestawu we Francji (we Francji i krajach francuskojęzycznych).

3. PODŁĄCZENIE ELEKTRYCZNE

Przy podłączeniu elektrycznym, spojrzeć na rysunki w sekcji 4 strona 8.

- Podgrzewacz wody może być tylko podłączony i obsługiwany przy prądzie przemiennym 230V. Podłączyć podgrzewacz sztywnym przewodem z przekątnymi 2,5mm². Skorzystać ze standardowych kanałów (sztywny lub elastyczny przewód) aż do skalibrowanej obudowy.
- Bezpośrednio podłączyć urządzenia przewodem lub wtyczką. We Francji przewód z wtyczką jest surowo zakazany, nie może być sprzedawany ani instalowany.
- Zawsze podłączyć przewód uziemiający do uziemienia lub podłączyć przewód uziemiający do odpowiedniego terminala określonego symbolem. Połączenie jest obowiązkowe z powodów bezpieczeństwa. Żółtozielony przewód uziemiający musi być dłuższy niż przewody fazowe. Na początku urządzenia, instalacja musi być wyposażona w dwubiegunowe urządzenie odcinające (minimalna odległość 3mm od bezpiecznika, wyłącznik). Jeżeli połączenia hydrauliczne znajdują się w materiale izolowanym, obwody elektroniczne będą chronione wyłącznikiem różnicowym 30 mA z uwzględnieniem lokalnych przepisów.

Wyłącznik termiczny (zobacz rysunki w sekcji 4 strona 8): Wszystkie nasze produkty wyposażone są w termostat z wyłącznikiem termicznym i ręcznym resetowaniem, które odcinają zasilanie w przypadku przegrzania. W przypadku zagrożenia:

- odłączyć zasilanie przed podjęciem dalszych działań,
- zdjąć osłonę,
- sprawdzić połączenia elektryczne,
- zresetować wyłącznik termiczny

Jeżeli wyłącznik termiczny się zacina, wymienić termostat. Nigdy nie wolno zwierać wyłącznika bezpieczeństwa ani termostatu. Podłączać zasilanie tylko przez terminal.


UWAGA: Nigdy nie zasilać podgrzewacza bez wody: Modele z elektrycznym elementem grzejącym na pewno zostaną zniszczone.

- Napełnić całkowicie zbiornik. Przed zasilaniem, otworzyć krany z gorącą wodą, przeprowadzić drenaż rur, by pozbyć się powietrza.
- Sprawdzić uszczelnienie rur oraz uszczelnienie kołnierzone pod pokrywą z plastiku. W przypadku przecieku, delikatnie dokręcić. Sprawdzić działanie komponentów hydraulicznych i zaworu bezpieczeństwa.
- Włączyć zasilanie. Po 45 - 60 minutach, w zależności od pojemności urządzenia, z odpływu zaworu może kapać woda. Jest to normalny proces i wynika z rozszerzalności wody. Sprawdzić czy nie ma wycieków na połączeniach i uszczelnieniu. W czasie podgrzewania i w zależności od jakości wody, zbiorniki z gorącą wodą powodować bulgotanie. Ten dźwięk jest normalny i nie wskazuje żadnych wad jednostki.

1. MODEL PŁASK

GAŁKA REGULUJĄCA (Odniesienie A oraz D): Manualny wybór ustawienia temperatury. Pozycja D to maksymalna pozycja ustawiania temperatury.


TRYB OCHRONY PRZED ZAMARZANIEM  (Odniesienie B): Automatyczna regulacja temperatury chroniącej przed zamarzaniem (7°C), by obniżyć zużycie energii elektrycznej w czasie nieobecności użytkownika.

PRYSZNIC GOTOWY  (Odniesienie . C): Dostępny wskaźnik monitorowania gorącej wody. Kiedy symbol prysznicza jest włączony, ilość ciepłej wody jest równa lub przewyższa ilość potrzebną na wzięcie 1 prysznicza.

2. MODEL KWADRATOWY



GAŁKA REGULUJĄCA (Odniesienie A oraz D): Manualny wybór ustawienia temperatury. Pozycja C to maksymalna pozycja ustawiania temperatury.

TRYB OCHRONY PRZED ZAMARZANIEM  (Odniesienie B): Automatyczna regulacja temperatury chroniącej przed zamarzaniem (7°C), by obniżyć zużycie energii elektrycznej w czasie nieobecności użytkownika.

WSKAŹNIK CIEPŁA  (Odniesienie D): Kiedy symbol prysznicza jest włączony, produkt się nagrzewa.

Kiedy urządzenie funkcjonuje nieprawidłowo, interfejs użytkownika na urządzeniu wyświetla kod błędu.

1. MODEL PŁASKI

Błąd (status LED)	Znaczenie	Uwaga
2 kolejne błysnięcia « prysznic», 3 sekundowa pauza, 2 kolejne błysnięcia «prysznic»... 	Błąd 3 : Błąd sondy	Zmienić sondę
2 kolejne błysnięcia « prysznic», 3 sekundowa pauza, 4 kolejne błysnięcia «prysznic»... 	Błąd 9 : Przełącznik lub błąd PCB	Zmienić PCB

2. MODEL KWADRATOWY

Brak.

KONSERWACJA

UWAGA: Przed zdjęciem plastikowej pokrywy, upewnij się, że zasilanie jest odłączone, by zapobiec ryzyku odniesienia obrażeń lub porażenia elektrycznego.

1. PRACE KONSERWACYJNE WYKONYWANE PRZEZ UŻYTKOWNIKA

Wykonywać je raz w miesiącu, by rozładować zawór bezpieczeństwa i zapobiec osadzeniu się kamienia oraz sprawdzić czy urządzenie bezpieczeństwa nie jest zablokowane. Brak wykonania tej czynności może powodować uszkodzenia i unieważnić gwarancję. Przy instalacji z pompą wspomagającą; przed uruchomieniem, po długim okresie nieużytkowania, obrócić wirnik zgodnie z instrukcjami producenta.

2. KONSERWACJA PRZEZ WYKwalifikowane OSOBY

- Osadzanie kamienia: usunąć kamień. Nie zdrapywać lub nie skubać osadów kamienia, jaki osadził się na obudowie, ponieważ może to doprowadzić do uszkodzeń.
- Anoda magnezowa: zmieniać anodę magnezową co 2 lata lub jeżeli średnica jest poniżej 10mm.
- Element grzejący: wymiana osłoniętego elementu grzewczego polega na drenażu urządzenia grzewczego i wymianie uszczelki kołnierza. Ponownie zamontować element grzewczy, odpowiednio dokręcić śruby (naprzemiennie), sprawdzić czy nie ma wycieków po pierwszym podgrzaniu, ponownie dokręcić, jeżeli jest to konieczne
- Drenaż: wyłączyć zasilanie i dopływ zimnej wody. Okręcić krany z gorącą wodą i zawór suportowy urządzenia zabezpieczającego.

Lista części zapasowych: termostat, uszczelka kołnierza, element grzewczy, wskaźnik ogrzewania, anoda magnezowa, przewody przyłączeniowe, wyłącznik elektryczny. Gwarancja wymaga używania oryginalnych części producenta.

Porady dla użytkownika

- Kiedy woda ma twardość > 20°f, zaleca się jej zmiękczenie. Przy zastosowaniu zmiękczacza, twardość wody musi utrzymać się powyżej 15°f.
- W przypadku dłuższej nieobecności, szczególnie zimą, spuścić wodę z urządzenia zgodnie z instrukcją.

Podgrzewacz wody musi być zainstalowany, użytkowany i utrzymywany zgodnie z najlepszymi praktykami i spełniać obowiązujące standardy w kraju, w którym jest zainstalowany oraz zgodnie z instrukcjami zawartymi w tym dokumencie. W Unii Europejskiej, urządzenie objęte jest ustawową gwarancją przysługującą konsumentom zgodnie z dyrektywą 1999/44/CE. Gwarancja wchodzi w życie, kiedy urządzenie dostarczone jest do klienta. Poza gwarancją ustawową, pewne części objęte są dodatkową gwarancją, dotyczy to tylko darmowej wymiany zbiornika i komponentów uznanych za wadliwe. Nie obejmuje to kosztów wymiany lub przewozu. Proszę spojrzeć na poniższą tabelę. Gwarancja handlowa nie wpływa na prawa przysługujące na mocy gwarancji ustawowej. Obowiązuje na terenie kraju, gdzie zakupiono urządzenie, pod warunkiem że jest również w tym samym kraju zainstalowane. Sprzedawca musi być poinformowany o każdym zniszczeniu przed wymianą produktu na mocy gwarancji, a urządzenie pozostanie dostępne do inspekcji ekspertów z firmy ubezpieczeniowej i producenta.

Gwarancja ustawowa	2 lata
Dodatkowa gwarancja handlowa na zbiornik emaliowany	+3 lata

Wyłączenia: zużyte części: anody magnezowe. Sprzęt, którego stanu nie da się ocenić (trudny dostęp, by dokonać naprawy, prac konserwacyjnych lub oceny). Sprzęt narażony na nietypowe warunki środowiskowe: mróz, zła pogoda, woda, która jest zbyt agresywna lub niezdatna do picia, zbyt wysokie napięcie elektryczne. Sprzęt zainstalowany bez przestrzegania obecnych standardów w kraju, gdzie jest zainstalowany: występujące nieodpowiednie mocowania urządzeń bezpieczeństwa, nieodpowiednia korozja z powodu niewłaściwych instalacji wodnych (kontakt z żelazem, miedzią), nieprawidłowe uziemienie, nieodpowiednia grubość przewodów, nieprzestrzeganie zaleceń z instrukcji dotyczących podłączeń. Sprzęt nie konserwowany zgodnie z tymi instrukcjami. Naprawa lub wymiana części lub komponentów sprzętu nie jest przeprowadzana lub autoryzowana przez spółkę odpowiedzialną za gwarancję. Wymiana komponentu nie przedłuża okresu gwarancji. Produkty zilustrowane w instrukcji mogą być w dowolnym czasie modyfikowane, by uwzględnić zmiany u producenta i zgodnie z obowiązującymi normami.

By złożyć reklamację na podstawie gwarancji, proszę się skontaktować z instalatorem lub sprzedawcą.

Jeżeli to konieczne, proszę się skontaktować:

HISZPANIA I PORTUGALIA: Pol.Industrial Cami Ral, Calle Molinot 59-62 – 08860 – Castelldefels (Barcelona) Tél : 902 45 45 66 /

WŁOCHY : 848 800 929 (al solo costo di uno chiamata a tariffa urbana) / POLSKA : ul. Płochocińska 99A , 03-044 Warszawa tel. (0800)-548-098 / OTHER COUNTRIES: +33 23 87 13 846

gdzie zostaną Państwo poinformowani, co należy robić. Gwarancja obejmuje tylko zbadane produkty, które są zaakceptowane jako wadliwe przez firmę podpisującą gwarancję. Jest niezbędne, by produkty były zachowane do inspekcji przeprowadzonej przez firmę podpisującą gwarancję.

Typ / Odniesienie:		PIECZĘĆ SPRZEDAWCY
Nr seryjny:		
Nazwa i adres klienta:		

