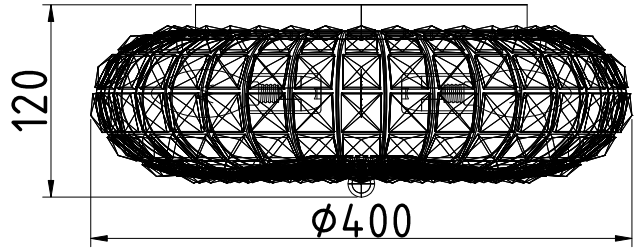
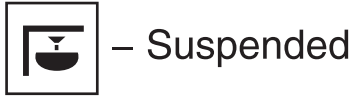
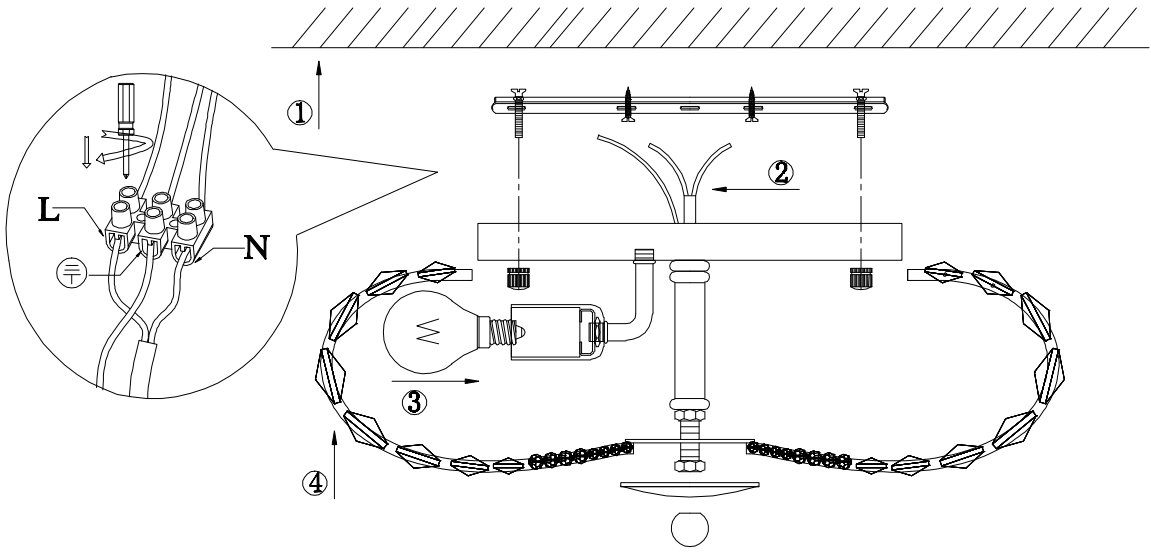


Instruction

Collection: Diamant crystal
Series: Broche
Model: DIA902-04-N
Suspended



4 x E14 (60w)

MAYTONI
DECORATIVE LIGHTING

www.maytoni.de