

DHI-ARD324-W2(868S)

Wireless Door Detector Plus



System Overview

Wireless Door Detector Plus detects the status of doors and windows, recognizing when they are opening, shocking and tilting. It can connect with wired detectors in one of 3 ways: normally open, normally closed, and pulse. Easy to install and use, all the configurations can be done through the APP.

Technical Specification

Input/Output

Alarm Input	1(Normally Closed;Normally Open;Impulse Count)
-------------	--

Function

Indicator Light	1 × green alarm indicator
Button	1 × power switch
Remote Update	Cloud update
Low Battery Detection	Yes
Tamper	Yes
Measuring Range (Temperature)	Indoor: -15 °C to +65 °C (+5 °F to +149 °F)
Measuring Accuracy	±1 °C (±1.8 °F)

Technical

Sensor	Triaxial Accelerometer, Reed Switch
Movement Distance	< 40 mm (1.57")
Shock Detection	High, normal, low
Tilt Detection	Up to 25°
Test Mode	Yes
Scenario	Non-metal doors
Operating Current	12 uA

- Displays the temperature of the surrounding environment and supports the overheating alarm.
- Frequency hopping and two-way communication technology ensure that communication is stable.
- Supports cloud update and automatically restores when cloud update fails.
- Supports jamming detection and communication encryption.
- Supports tilt and shock detection, and generates alarms when the event happens.

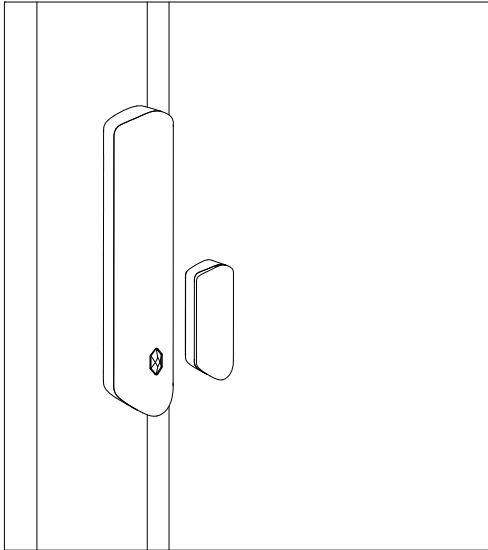
Alarm Current	2.3 mA
Wireless	
Carrier Frequency	868.0 MHz–868.6 MHz
Transmitter Power (EIRP)	Limit 25 mW
Communication Mechanism	Two-way
Communication Distance	Up to 1,200 m (3937.01 ft) in an open space
Encryption Mode	AES128
Frequency Hopping	Yes
General	
Power Supply	CR123A × 1
Battery Life	If triggered twice a day with a battery efficiency of 70%: 3 years (The external input type is NO) 1.5 years (The external input type is NC)
Power Consumption	167 mW
Operating Temperature	Indoor: -10 °C to +55 °C (+14 °F to +131 °F)
Operating Humidity	10%–90% (RH)
Storage Temperature	-10 °C to +55 °C (+14 °F to +131 °F)
Storage Humidity	10%–90% (RH)
Product Dimensions	100.2 mm × 20.8 mm × 20.3 mm (3.94" × 0.82" × 0.80")
Packaging Dimensions	135.0 mm × 98.5 mm × 27.8 mm (5.32" × 3.87" × 1.09")
Net Weight	70 g (0.15 lb)
Gross Weight	115 g (0.25 lb)
Installation	Bracket mount
Casing Material	PC + ABS
Certifications	CE

Wireless Door Detector Plus | DHI-ARD324-W2(868S)

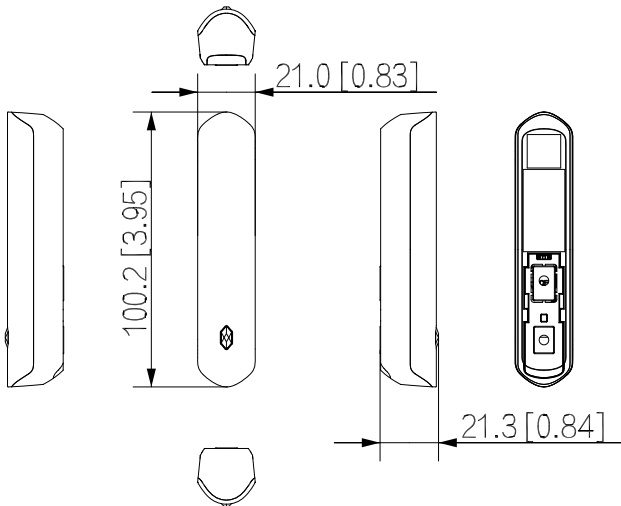
Ordering Information

Type	Part Number	Description
Wireless Door Detector	DHI-ARD324-W2(868S)	Wireless Door Detector Plus

Installation



Dimensions (mm[inch])



Application

