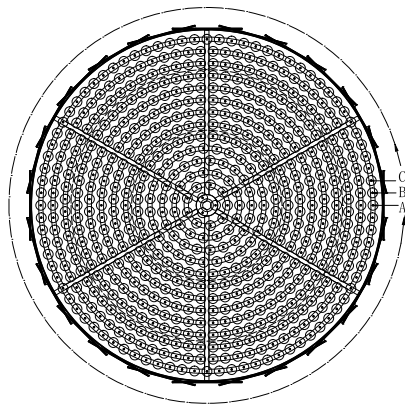
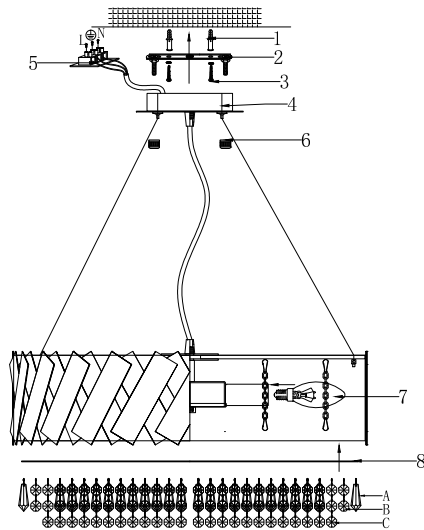
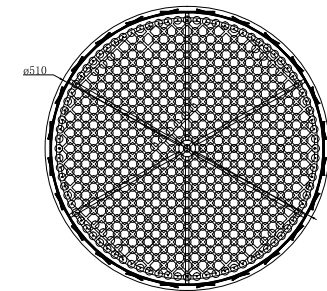
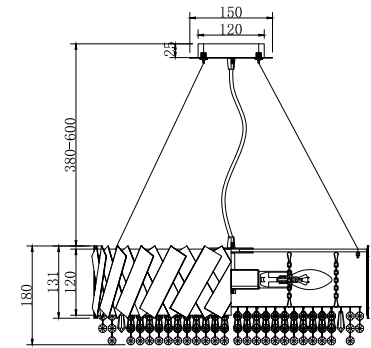


Instruction

MOD017PL-05BS



- A 205pcs
- B 205pcs
- C 205pcs



5 x E14 (40W)

Model: MOD017PL-05BS
Collection: Modern



Pendant Lamps