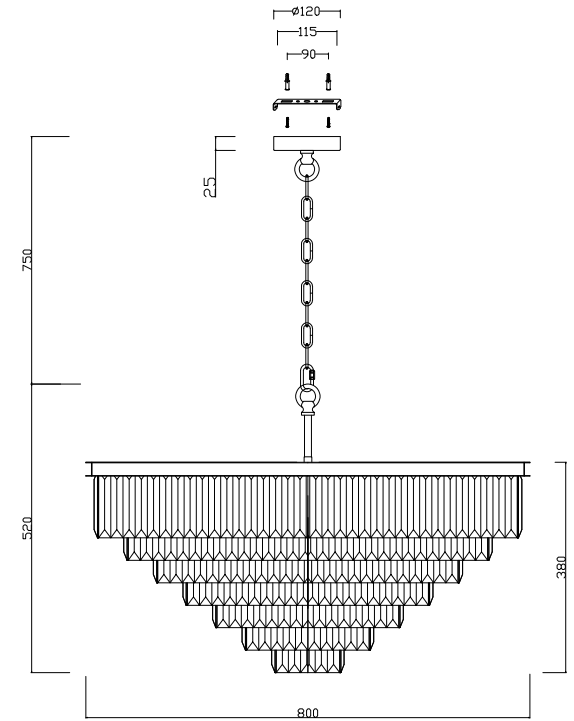
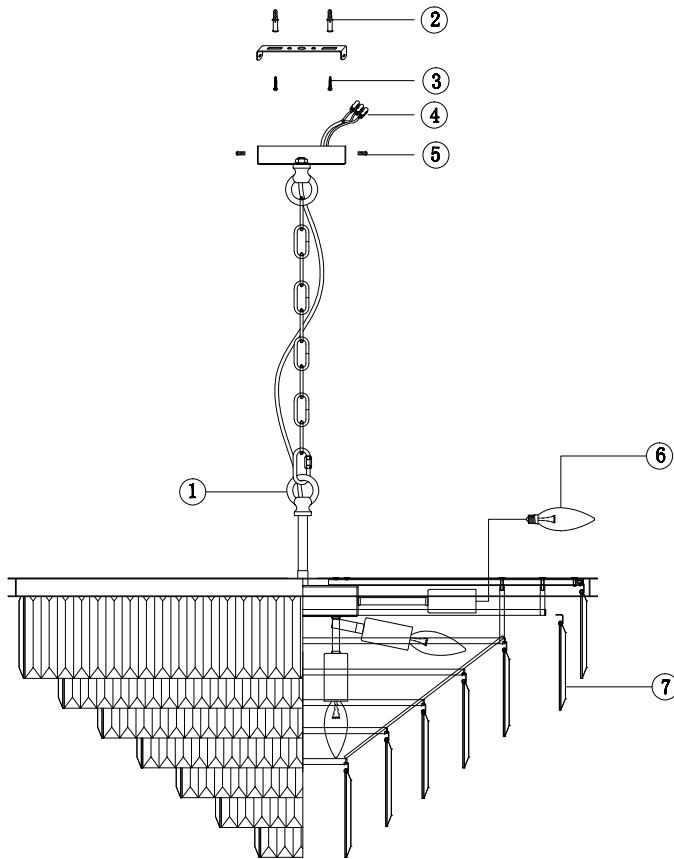


# Instruction

MOD085PL-16BS



16 x E14 (40W)

Model: MOD085PL-16BS  
Collection: Neoclassic



Pendant Lamps