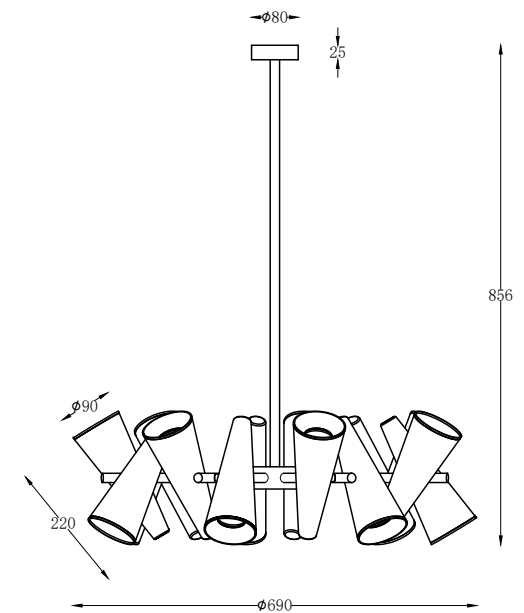
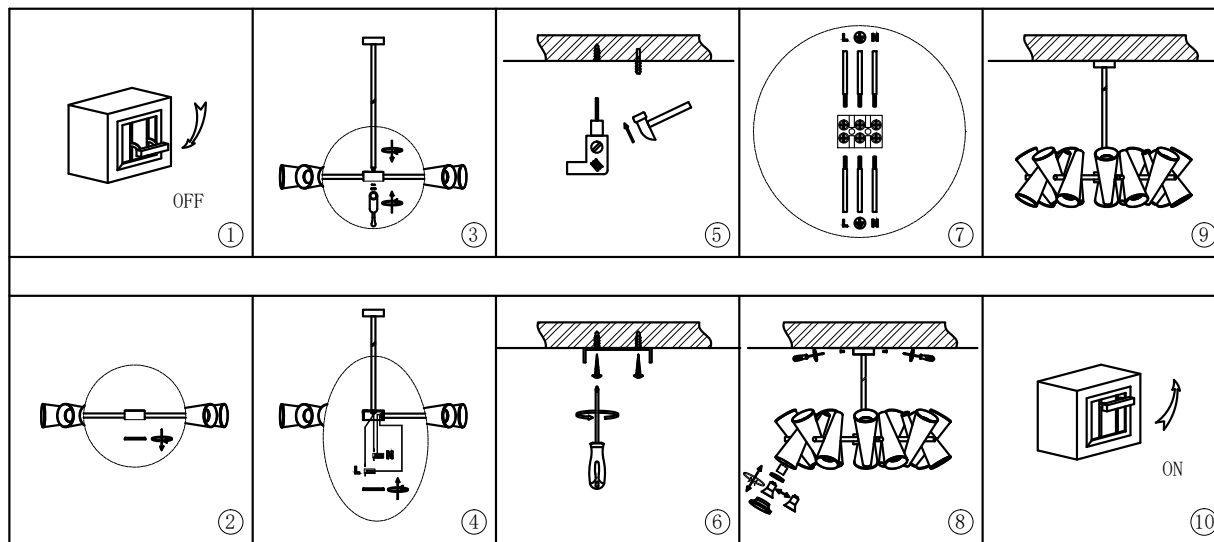


Instruction

MOD095PL-14BS



14 x GU10 (50W)

Model: MOD095PL-14BS

Collection: Modern



Pendant Lamps