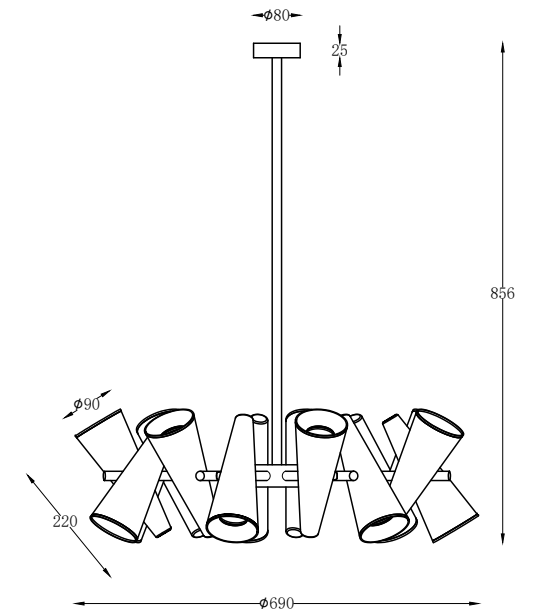
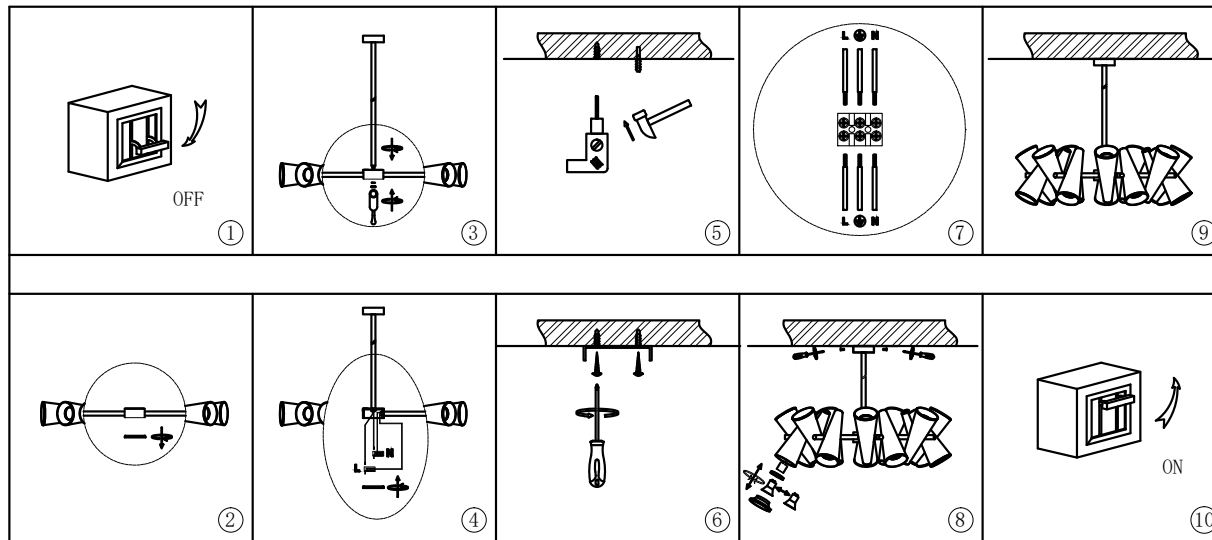


Instruction

MOD095PL-14W



14 x GU10 (50W)

Model: MOD095PL-14W

Collection: Modern



Pendant Lamps