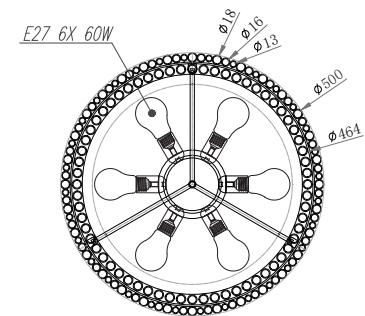
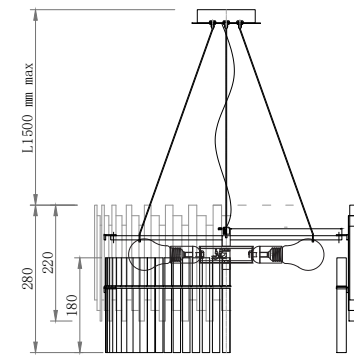
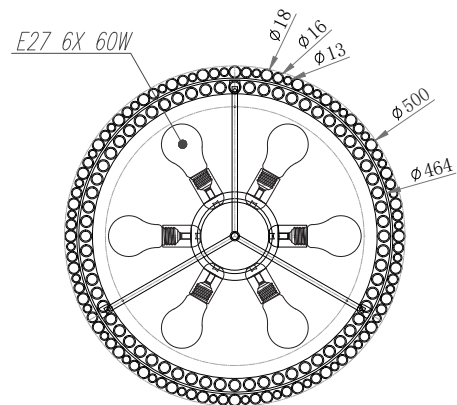
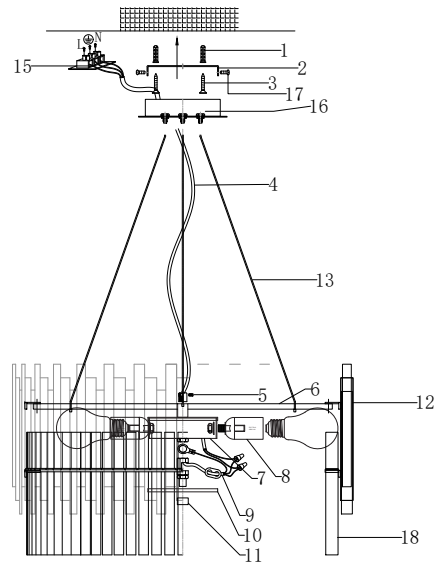


Instruction

MOD135PL-06BS



6 x E27 (60W)



Pendant Lamps

Model: MOD135PL-06BS

Collection: Modern