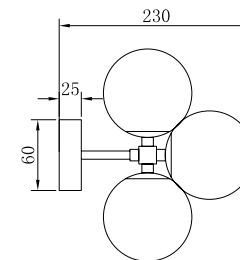
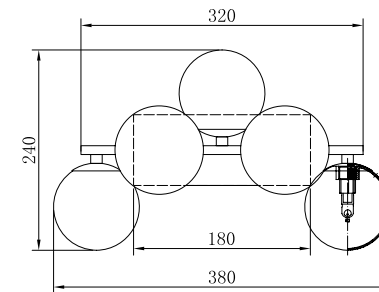
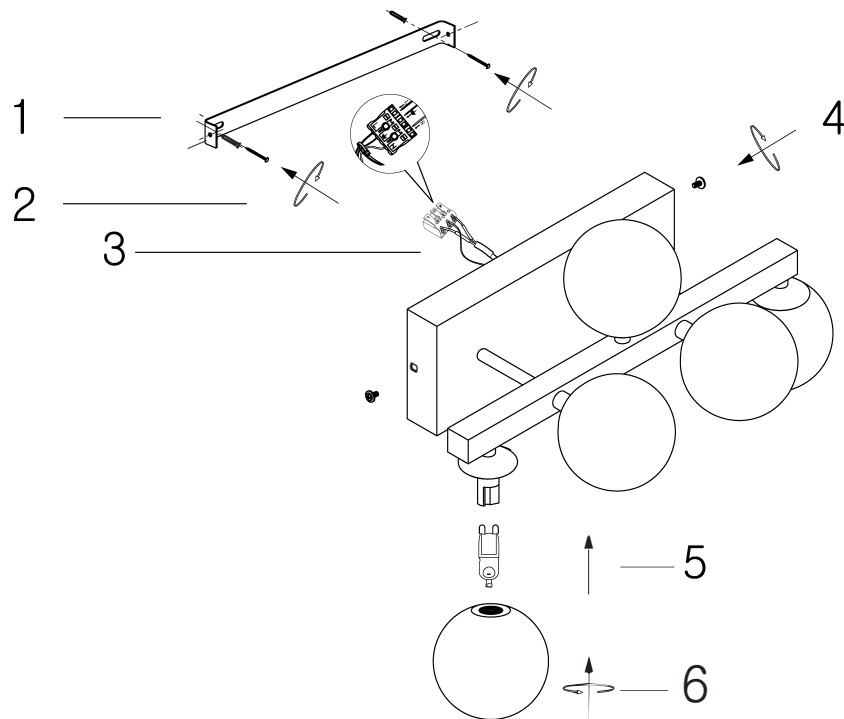


# Instruction

MOD545WL-05G



5 x G9 (28W)

Model: MOD545WL-05G

Collection: Modern



Wall Lamps