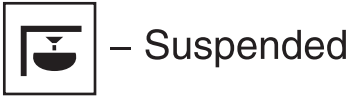
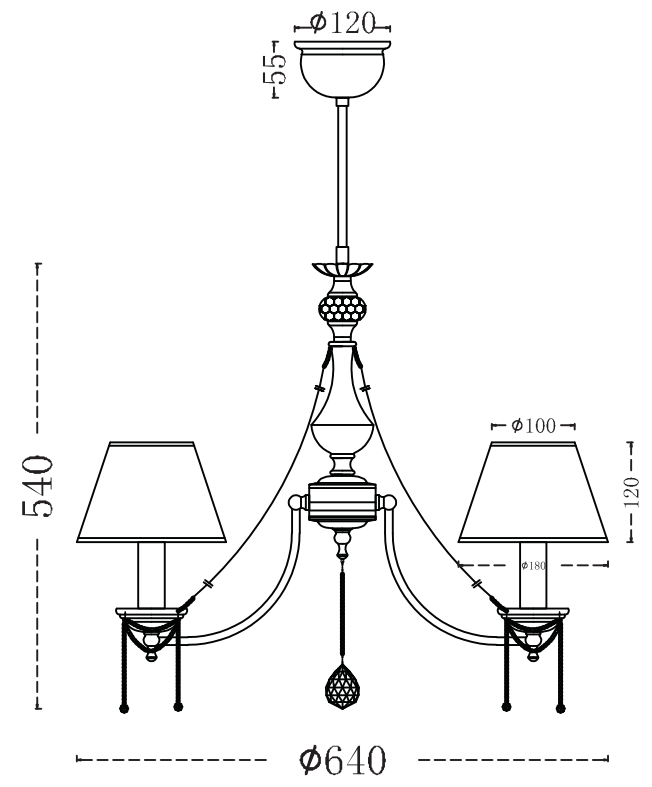
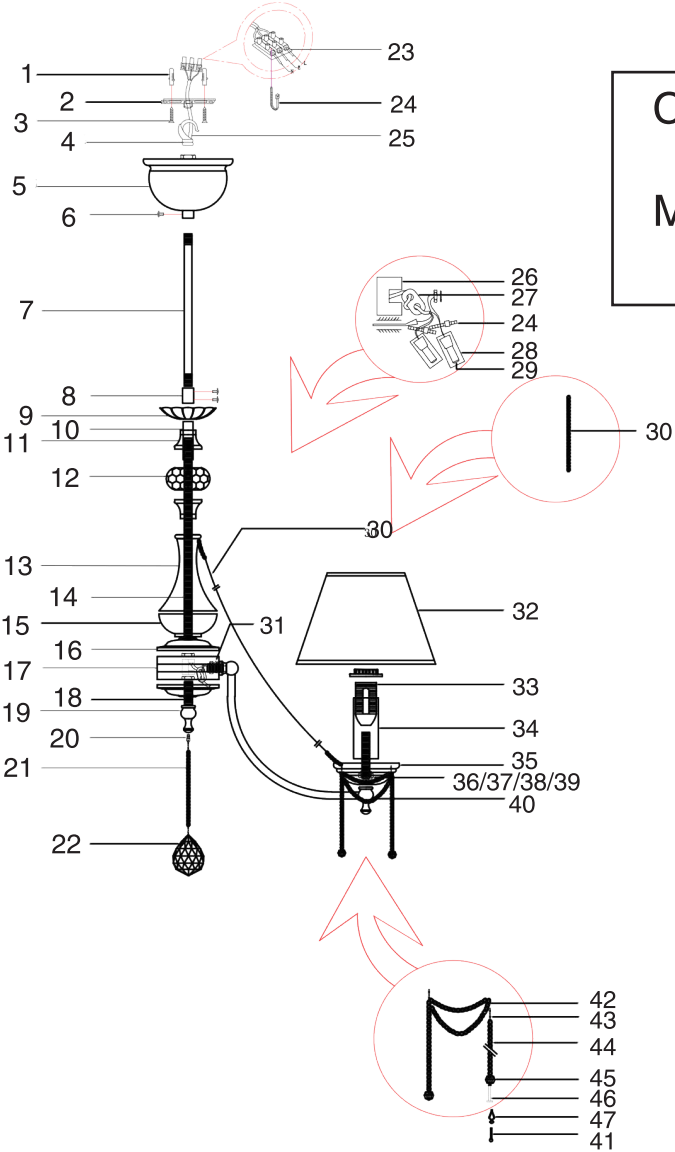



# Instruction

Collection: Royal Classic  
 Series: Chester  
 Model: RC0100-PL-05-R  
 Suspended



  
 5 x E14 (60w)

**MAYTONI**  
 DECORATIVE LIGHTING  
[www.maytoni.de](http://www.maytoni.de)