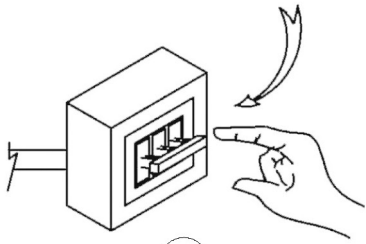
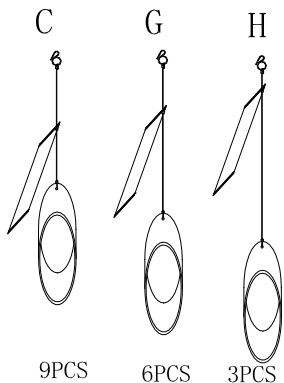
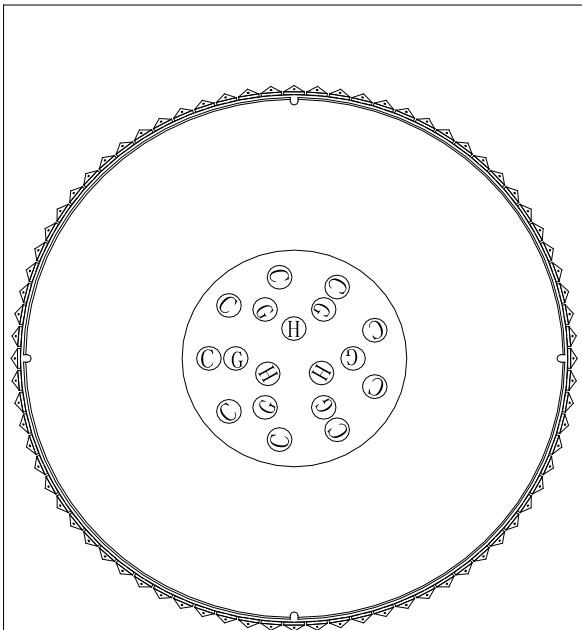


1285/02 PL-6



OFF

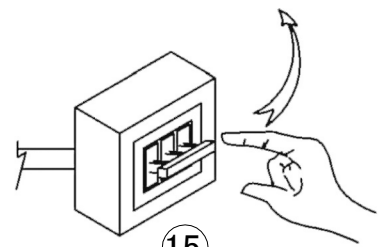
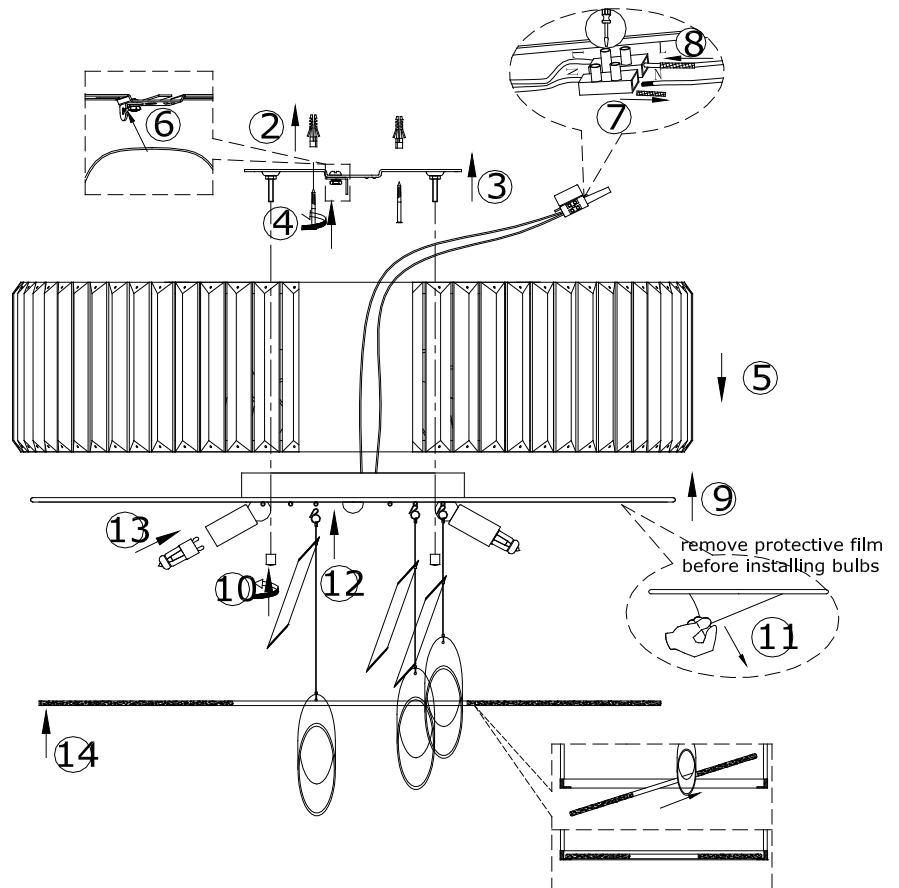
1



9PCS

6PCS

3PCS



ON

15