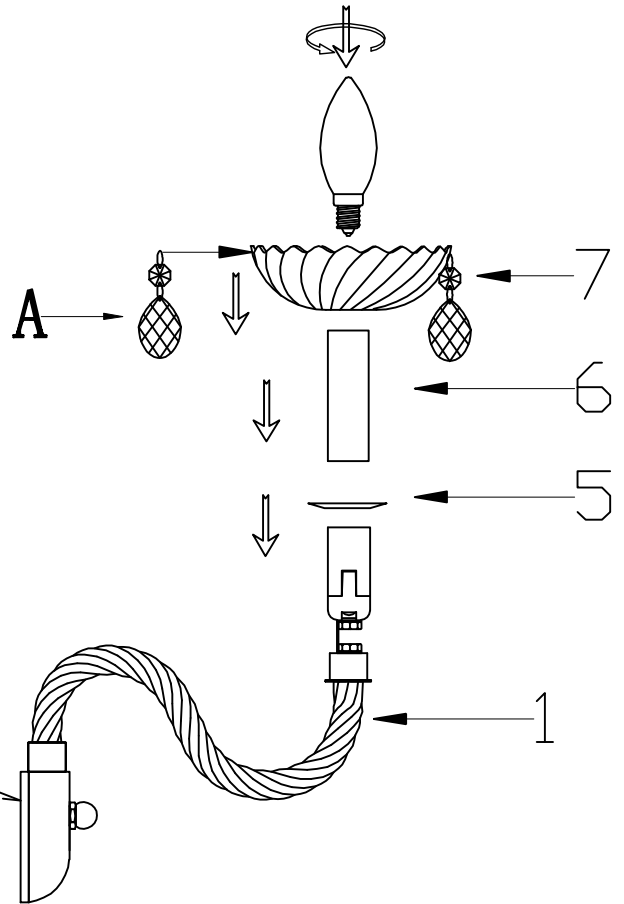
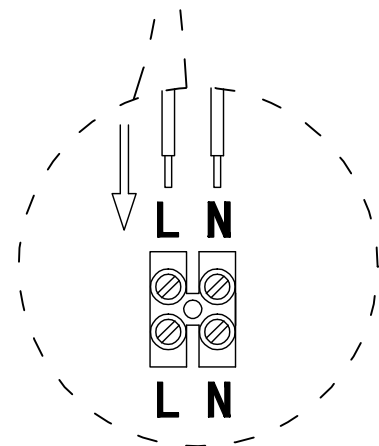
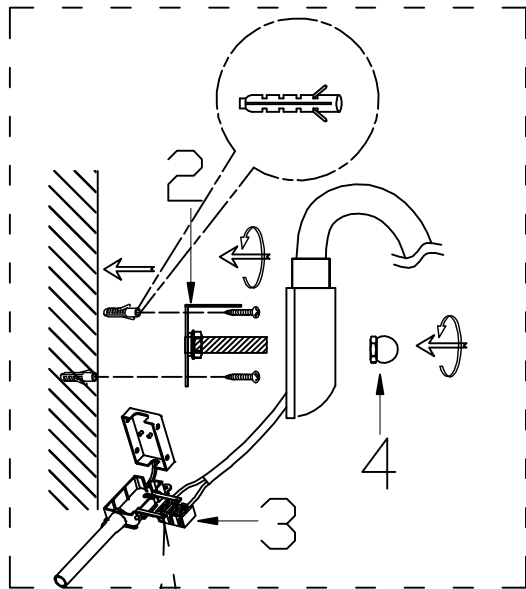
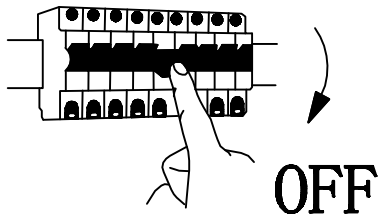


INSTRUCTION SHEET

A

B

39104



C

