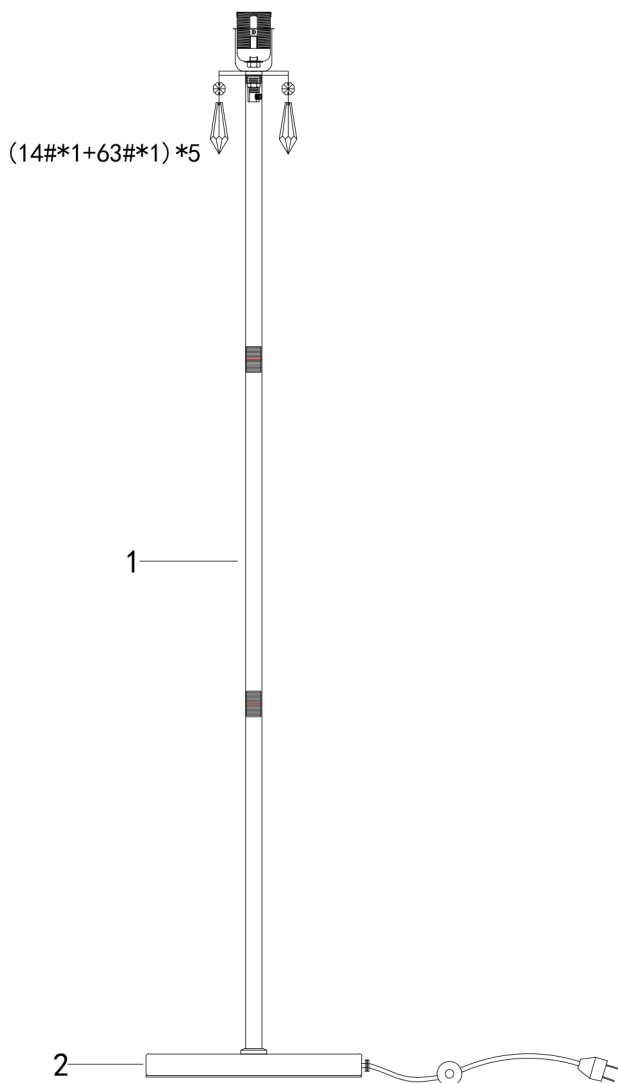
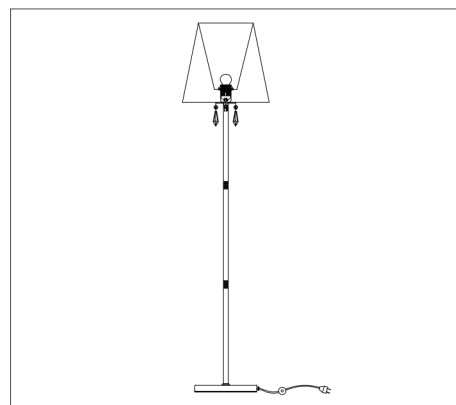
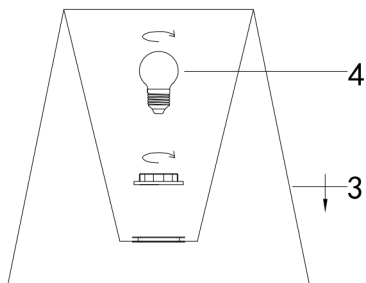


Specification of installation


In order to ensure safety use, please notice the following items:

- Read and understand the whole Specification.
- Suitable for the use of 220 ~ 240V and 50 ~ 60Hz.
- Please wear gloves as installment and avoid rot on the surface of plating.
- Must be installed on the fixed places and be checked annually.
- Please turn off the lighting source by soft cloth as cleaning prohibited to use of rotted detergent.
- Please connect with the local sales service center when there are any abnormality.

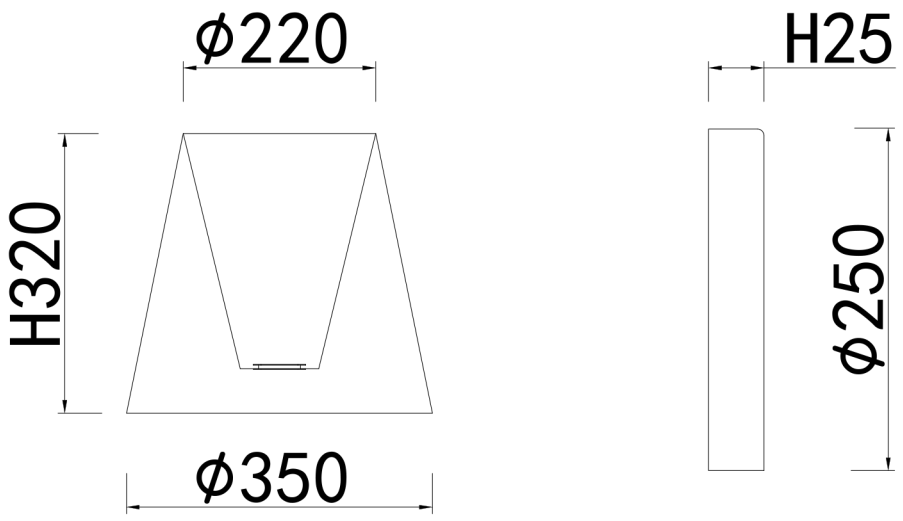


- 1 Straight
- 2 Base
- 3 Cover
- 4 E27 bulb

14#*5pcs  5 Crystal

63#*5pcs  6 Crystal

BASE SIZE:



FIXTURE SIZE:

