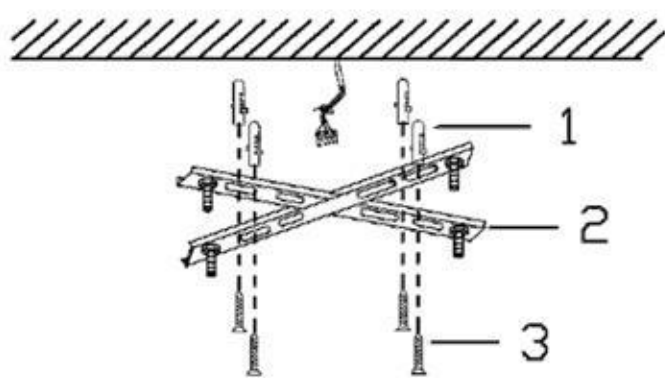




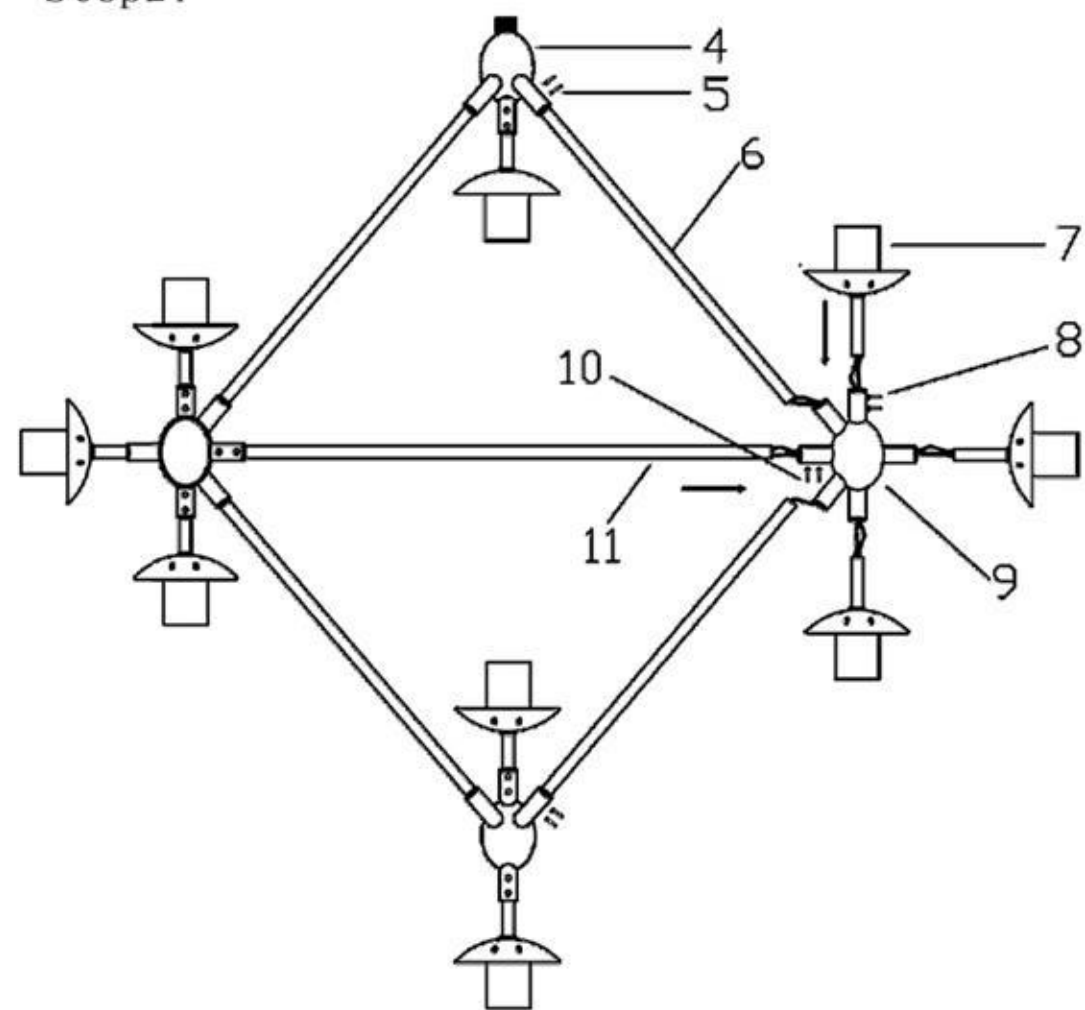
Assembly Instruction

SL549.403.21

Step1:



Step2:



Step3:

