

oursson 

bon appétit

*Live  
juice*



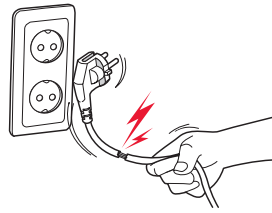
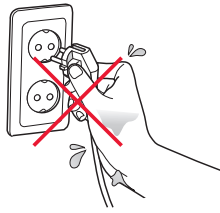
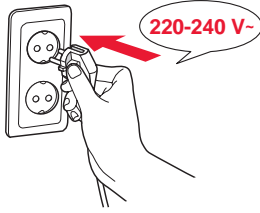
**JM4600/JM4700**

**EN** Instruction manual

**KZ** Пайдаланушы нұсқаулығы

**RU** Руководство по эксплуатации

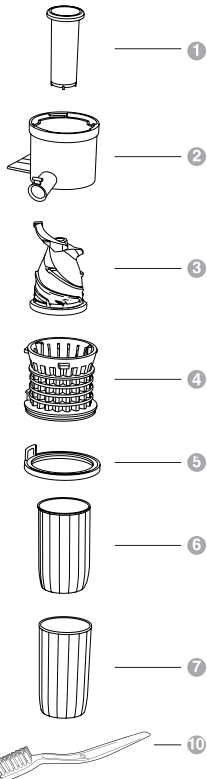




A

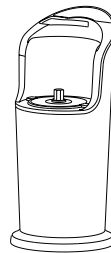
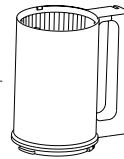
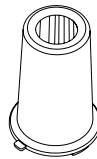


B



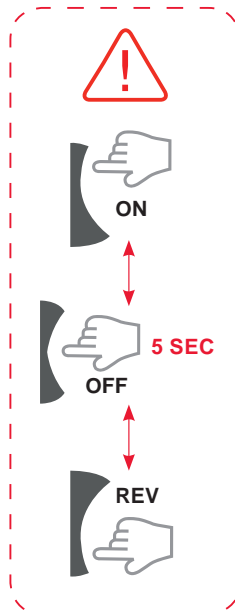
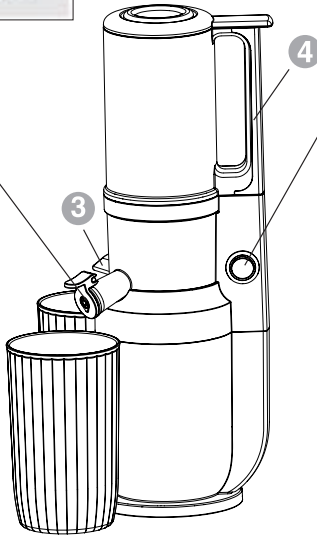
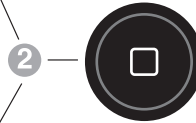
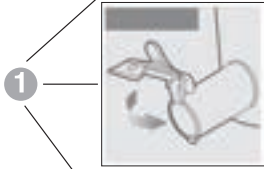
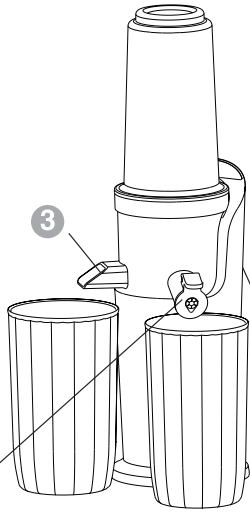
JM4600

JM4700



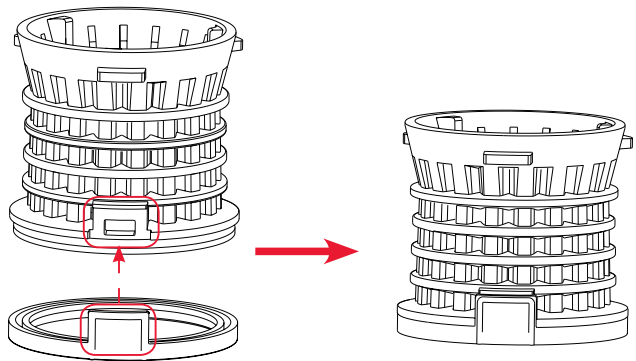
JM4600

C



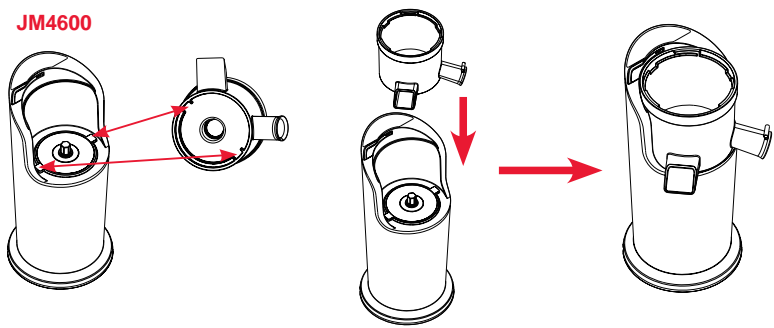
JM4700

1

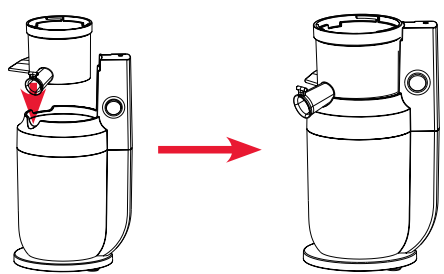


2

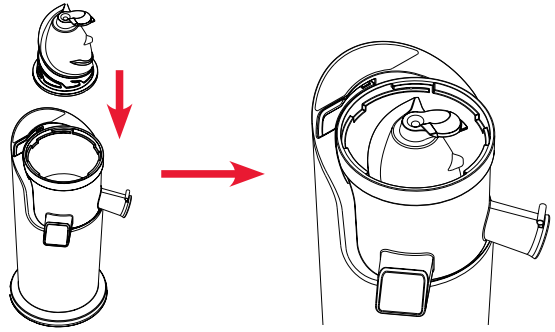
JM4600



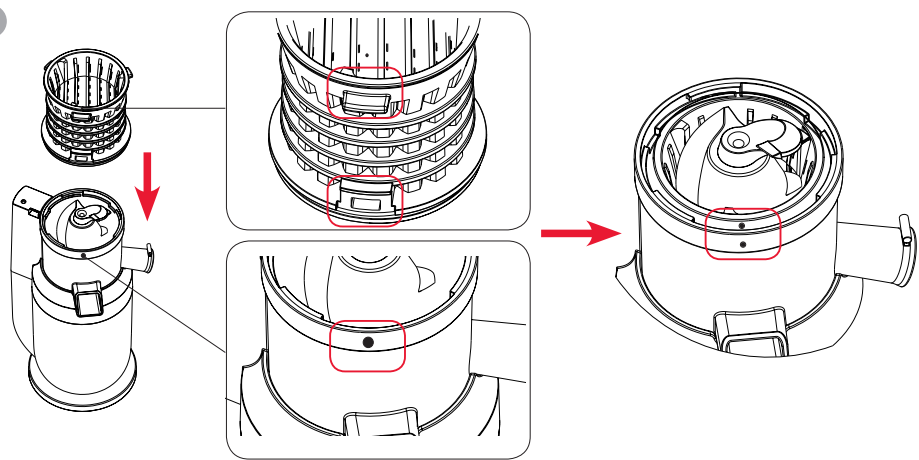
JM4700



3

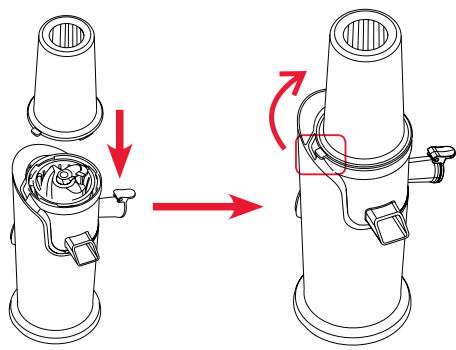


4

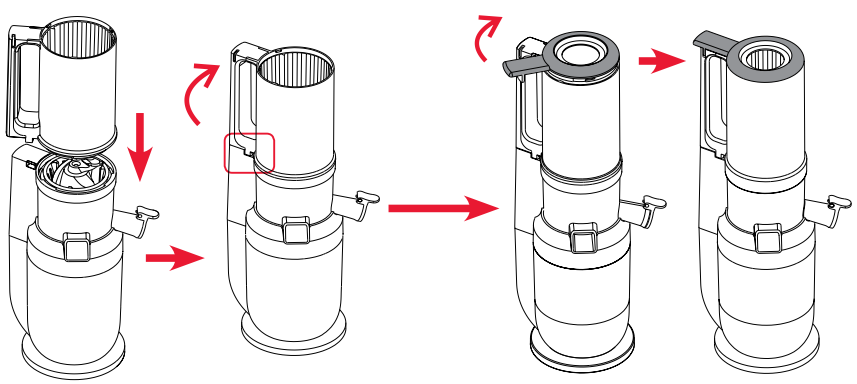


5

JM4600



JM4700

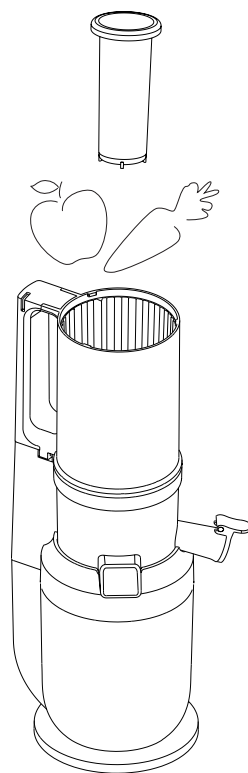
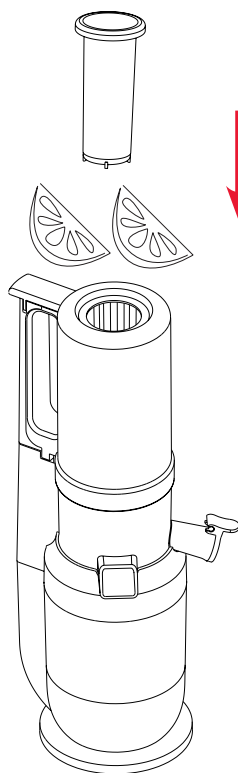
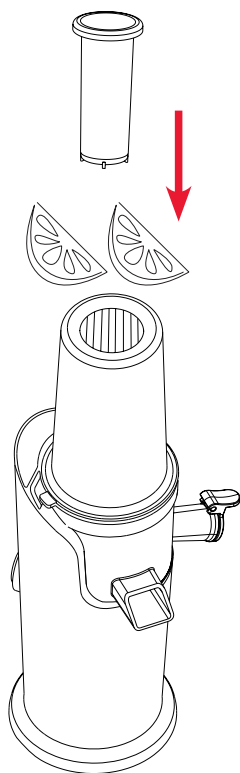


6




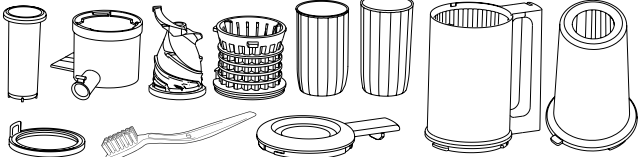
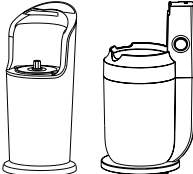
JM4600

JM4700

E



F

			
	✓	✗	✓
	✗	✗	✓

## SAFETY INSTRUCTIONS, Pic. A

EN



### Danger symbol

A reminder to user about high voltage.



### Warning symbol

A reminder to user about the necessity of operating exactly according to the instructions.

When using electrical appliances should take the following precautions:

- Use the device according to the following instructions manual.
- Install the device on a stable surface.
- Use only the tools, which are included in the product set.



- To protect against risk of electrical shock do not put the cord in water or other liquid. If for some reason the water got into the unit, contact an authorized service center (ASC) OURSSON AG.

- For power supply, use a power grid with proper characteristics.
- Do not use the device in areas where the air can contain vapors of flammable substances.
  - Never attempt to open the device by yourself – it could possibly be the reason of an electrical shock can lead to product malfunction and will invalidate the manufacturer's warranty. For repair and maintenance, contact only authorized service centers meant for repair of products under the trademark OURSSON.



- When moved from a cool to a warm place and vice versa unpack it before use and wait 1-2 hours without turning it on.
  - In order to prevent electrical shock do not immerse the entire product or the wires into the water.



- Be particularly careful and cautious when using the device near children.
- Do not touch any hot parts, as this may cause injury.
- The power cord is specially made relatively short in order to avoid the risk of injury.
- Do not allow the cord to hang over the sharp edge of the table or touch hot surfaces.
- Do not connect this device to a grid which is overloaded with other appliances: it can lead to the fact that the device will not function properly.
- Do not install the device near gas and electric stoves and ovens.
- After use, make sure to disconnect the device from the power grid.
- Keep the device from bumps, falls, vibration and other mechanical influences.
- Make sure to disconnect the device from the power grid before cleaning or changing accessories.
- Do not use the device outdoors.
- This appliance is not intended for use by persons (including children) with reduced physical, sensory or mental capabilities, or lack of experience and knowledge. They can only use the device under the supervision of the person responsible for their safety, or after instruction on the safe use of the device. Do not allow children to play with the product.

- This product is intended only for use in the home.
- If the power cord is damaged, it must be replaced by a specialist from the authorized service center (ASC) OURSSON AG to avoid danger.
- Use only the tools, which are included in the product set.
- When cleaning the appliance do not use abrasives and organic cleaners (alcohol, gasoline, etc.). When cleaning the device it is allowed to use a small amount of neutral detergent.

## RECOMMENDATIONS

- Please read the instruction manual before using the device. Keep the manual after reading for further use.
- All illustrations in this manual are schematic representations of real objects, which may differ from the actual images.
- If the filter has been damaged, stop using the device and contact an authorized OURSSON AG service center.



The device is equipped with a safety lock. If the lid isn't installed correctly on the cup, a special latch on the lid won't get into the groove of the cup, it wouldn't be possible to turn the lid clockwise. Make sure the lid is installed correctly.



Do not apply physical force to the device, as this may damage the device due to the user's fault.

## PRODUCT SET, Pic. B

① Pusher .....	1 pc.
② Juicing bowl with spouts .....	1 pc.
③ Auger/Pressure screw .....	1 pc.
④ Filter .....	1 pc.
⑤ Silicone filter ring .....	1 pc.
⑥ Pulp container .....	1 pc.
⑦ Juice container .....	1 pc.
⑧ Feeding bowl .....	1 pc.
⑨ Motor unit .....	1 pc.
⑩ Cleaning brush .....	1 pc.
⑪ Feeding bowl lid (for JM4700) .....	1 pc.
Instruction Manual .....	1 pc.
Warranty card .....	1 pc.

## ELEMENTS OF DESIGN, Pic. C

- ① Spout with lid for juice
- ② ON/OFF/Reverse button
- ③ Spout for pulp



## UTILIZATION, Pic. D

**Before first use**, wipe the device with a soft, dry cloth. The rest of the parts wash with warm water and detergent. **Before assembling or disassembling the device and / or removing attachments, make sure that the device is unplugged.**

### Step 1, Pic. D-1

Take the filter and place the silicone ring on it, aligning the tab on the ring with the slot in the filter. Press lightly on the silicone ring. Make sure the silicone ring is firmly seated on the filter.

### Step 2, Pic. C-3

Place the bowl with spouts on the motor unit. For model JM4600, align the two marks as shown in the illustration. For model JM4700, align the juice and pulp spouts with the grooves on the motor block.

### Step 3, Pic. C-4

Insert the auger/pressure screw into the center of the spout bowl by gently pushing and turning until it snaps into place.

### Step 4, Pic. C-5

Insert the filter into the bowl with the spouts, with the silicone ring facing down. Note the position of the largest ridge on the filter. Make sure the dots on the filter and bowl are aligned as shown in the illustration.

### Step 5, Pic. C-6

Place the feeding bowl on the bowl with spouts and turn it clockwise as shown in the picture. Place the lid on the feeding bowl (for model JM4700).

Note: Always leave the spout lid open when juicing ingredients that produce a lot of foam, Pic. C-1.

The power button is located on the handle of the device.

The key has three positions (Pic. C-2):

ON (△) – turn on;

□ – Pause /stop motor;

REV (▽) – Reverse.



When switching between the «On» and «Reverse» positions, be sure to move the button to the «Stop» position for 5 seconds to stop the auger.

Place the pulp container and juice container under the respective spouts. After completing the assembly, plug in the device.

## ORDER OF OPERATION, Pic.E

1. Assemble the device, Pic. D. Plug in the device.
2. Press the power button, Pic. C-2.
3. Using the pusher, place the prepared ingredients into the filling hole, Pic. E. The products should be cut into pieces for the JM4600 model. For the JM4700, you can use whole or cut ingredients. To place whole ingredients, remove the lid from the feeding bowl, Pic. B- 11.

Note:

- Follow the cooking guidelines to prepare the ingredients.
- Do not overfill the feeding bowl.



To avoid overheating of the motor, do not use this device for more than 10 minutes without a pause. The break between cycles should be 5 minutes.



Do not place ingredients that are hotter than 80°C into the feeding bowl. Let them cool down.



Do not use a spoon or other foreign objects in order to remove the pulp from the pulp spout as it may damage the device.



To push the ingredients into the feeding chute, use only the pusher, which is included with the device. It is strictly forbidden to push ingredients with hands, as this could cause injury.

4. If a dense mass of ingredients gets stuck in the juicer mechanism and impedes the movement of the juice, move the button to the "Stop" position until the engine comes to a complete stop, then move the button to the "Reverse" position. The auger will start to rotate in the opposite direction. After a few seconds, again move the button to the "Stop" position and after stopping the engine, press "ON". Repeat this operation if necessary.
5. At the end of juicing, close the lid at the spout so that the remaining juice does not drip onto the table. Switch off the device and unplug it.


Note: Freshly squeezed juices are recommended to be consumed immediately after preparation, as after a while they begin to exfoliate and lose their beneficial properties.

## PREPARATION RECOMMENDATIONS

1. Do not place into the device dried or hard ingredients, such as whole grains, fruits with hard seeds, thick-skinned or ice. This can damage juice maker's parts.
2. Beans or grain can be used if they were presoaked overnight and boiled.
3. Do not press the products without juice content (coconut, sugar cane, whole grains, etc.).
4. Do not use ingredients that contain an excessive amount of vegetable oil or animal fat. Do not use the juice maker for squeezing oil from the ingredients. If the plant oil or animal fat falls onto the pressure screw, it can reduce performance and damage juice maker's parts.
5. Do not load pulp into the juice maker. This can lead to a shutdown or lock the juice cup's lid.
6. After juicing the ingredients with small seeds, you must clean all parts of the device from the seeds.
7. The amount of juice depends on the freshness and juiciness of the products. The fresher the vegetables or fruit, the more juice you can make.

Products Features	Products	Recommendations
Hard seeds	Apricots, peaches, mangoes, nectarines, plums, etc.	Products with seeds or hard seeds should be freed from seeds.
With hard or inedible peel	Mangoes, oranges, pineapples, watermelons, melons, etc.	Clean the peel and remove seeds.
Soft fruits and vegetables	Oranges, tomatoes, etc.	Wash and if necessary peel the fruits and vegetables and remove large seeds, remove the stalk. Cut into pieces.
Solid fruits and vegetables	Carrots, potatoes, beets, etc.	Solid fruits/vegetables can put additional stress on the engine and cause it to overheat and stop. Observe breaks between the cycles. Cut hard ingredients into small cubes or wedges. You can pre-soak food in cold water if it is not fresh.
Ingredients with small seeds	Raspberries, apples, pears, grapes, etc.	Products with small seeds must be loaded into the juicer slowly in small portions to prevent clogging of the filter. Before juicing, remove the twigs from the grapes, and the peel from the pomegranate.
Fibrous ingredients	Celery, cabbage, pineapple	Cut into strips. If necessary, separate the stems from the leaves. Load leafy ingredients in small portions. When juicing, alternate leaves and stem pieces. For best results, we recommend to periodically disassemble and wash the juicer. If the leaves are tangled on the pressure screw, open the lid and remove the fiber, and then continue. When juicing products such as pineapples, you must first peel and cut out the core, then cut it into small pieces.

## CLEANING AND MAINTENANCE, Pic. F

-  Clean all parts of the device immediately after use.




For an easier cleaning of the device, pour water into the feeding chute and turn on the juicer maker for 30 seconds.

- Turn off the device before unplugging it.
- Remove the pusher, remove the feeding bowl with spouts by turning it counterclockwise. Remove any remaining pulp from the bowl. Remove it from the motor block. Remove the auger and filter carefully. Detach the silicone ring from the filter.

- Wash all the elements of device, except of motor unit, in warm soapy water, using a brush.



It is strictly forbidden to clean parts of the device in dishwasher or dry them in dryer, as this may damage the device.

- Wipe the motor unit with a soft damp cloth.
-  Never immerse the motor unit in water because of the risk of electric shock.
- After cleaning, thoroughly dry all the elements of the device and store them in a dry, clean place.

## POSSIBLE PROBLEMS AND SOLUTIONS

Problem	Solutions
Device does not work on	<ul style="list-style-type: none"> <li>• Check whether the power cord is connected to the outlet. If the device is not connected, plug it to the outlet.</li> <li>• Check whether the device is assembled correctly. If not, disassemble and reassemble according to the instructions.</li> <li>• If the problem persists, contact an authorized service center OURSSON.</li> </ul>
Little juice	<ul style="list-style-type: none"> <li>• The various ingredients have different moisture contents.</li> <li>• If the products are not fresh, they lost their juiciness. Put the ingredients in water for 1-2 hours to recover.</li> <li>• Make sure that the silicone gasket is installed correctly and firmly.</li> <li>• If you are using ingredients with small seeds, then after few loads their presence can reduce the amount of juice. For best results, between preparations disassemble the machine and clean it from seeds.</li> </ul>

Problem	Solutions
A lot of pulp in the juice	<ul style="list-style-type: none"> <li>• With continued juicing and depending on the ingredients, juice may contain much pulp.</li> <li>• To reduce the pulp in the juice, disassemble the juice cup and remove the pulp more often.</li> <li>• If the filter or screw is damaged - it can affect the performance and quality of juice. It is recommended to replace them. The service life of each part depends upon the duration and the method of using the device, and pressing ingredients.</li> <li>• If too much of the ingredients are loaded into the juice maker simultaneously, this can lead to frequent stoppages and to a large number of pulp in the juice. Place ingredients slowly and in small portions.</li> </ul>
Extraneous sounds when the device is working	<ul style="list-style-type: none"> <li>• Make sure that all parts are correctly assembled.</li> <li>• Do not turn the juice maker without ingredients or at least liquid in it. Empty working juice maker may damage the pressure screw</li> <li>• Depending on the type or size of various ingredients different noises may occur.</li> <li>• Noise may occur when the juice maker is working on uneven or inclined surfaces. Place it on a flat stable surface.</li> </ul>
Pulp is very wet	<ul style="list-style-type: none"> <li>• At the beginning of juicing, the pulp can be wet.</li> <li>• The recovered pulp can be wet if you are using stale ingredients</li> </ul>
Cup vibration	<ul style="list-style-type: none"> <li>• A small vibration of juice cup is allowed during operation. It is not considered a malfunction</li> </ul>
The device has stopped working	<ul style="list-style-type: none"> <li>• Make sure the amount of fruit and vegetables is not too large and the motor is not overloaded.</li> <li>• Make sure all the large seeds were removed from the fruit.</li> <li>• Turn off the device and switch it on REV (Reverse) mode for 2-3 seconds. Turn on the device again.</li> </ul>

Specifications		
Model	JM4600	JM4700
Power consumption, W	max 150	max 150
Rated voltage	220-240 V~; 50-60 Hz	220-240 V~; 50-60 Hz
Protection class	I	I
Storage and transportation temperature requirements*	-25 °C to +35 °C	-25 °C to +35 °C
Operation temperature requirements	+5 °C to +35 °C	+5 °C to +35 °C
Humidity requirements	15-75%	15-75%
Dimensions (HxWxL), mm	101x125x359	150x110x372
Weight, kg	1.6	2.2

**\*Products should be stored in dry, ventilated warehouses at temperatures below - 25°C.**

## PRODUCT CERTIFICATION

For information on product certification, see <http://www.oursson.com> or ask seller for a copy.



Only a qualified specialist of an authorized service center OURSSON AG can repair the juice maker.

## SERVICING

Company OURSSON AG expresses great appreciation to you for choosing our products. We have done everything possible so that this meets your needs, and the quality corresponds to the best world standards. If your OURSSON branded product will need maintenance, please contact one of the authorized service center (hereinafter - ASC). A complete list of ASC and their exact addresses can be found on the website [www.oursson.com](http://www.oursson.com).

### Warranty obligations OURSSON AG:

1. Warranty obligations OURSSON AG, provided ASC OURSSON AG, apply only to models designed OURSSON AG for the production or supply and sale within the country where the warranty service is provided, purchased in this country, certified for compliance with the standards of this country, and also marked the with official marks of conformity.
2. Warranty obligations OURSSON AG operate within the law on protection of consumer rights and are regulated by the laws of the country in which they are provided, and only when the product is used exclusively for personal, family or household purposes. Warranty obligations OURSSON AG shall not apply to uses of goods for business purposes or in connection with the acquisition of goods to meet the needs of enterprises, institutions and organizations.
3. OURSSON AG sets for its products the following terms of use and warranty periods:

Product name	Terms of use, months	Warranty Period, months
Microwave ovens breadmakers, induction hobs Multicookers, kitchen processors, electric kettles, electric grills, hand blenders, hand mixers, meat grinders, blenders, toasters, airpots, toasters, juicers, steamers, coffee makers, choppers, freezers, refrigerators, automatic coffee machines Kitchen scales	60	24

4. Warranty obligations OURSSON AG shall not apply to the following products, if their replacement is assumed and is not connected with disassembling products:
  - Batteries.
  - Cases, straps, cords for carrying, mounting accessories, tools, documentation that came with the product.
5. Warranty does not cover defects caused due to violations of the rules of consumer use, storage or transportation of the goods, actions of third parties or force majeure, including but not limited to the following cases:
  - If the defect was a result of careless handling, used for other purposes, violations of conditions and rules of operation set forth in the instruction manual, including as a result of exposure to high or low temperatures, high humidity or dust, traces

of opening the device independently and/ or self-repair, mismatch state standards for power grids, getting liquids, insects or other foreign objects, substances inside the device, as well as long-term use of the product in extreme operational modes.

- If the defect of the product was a result of unauthorized attempts to test the product or make any changes in its construction or software programs, including repair or maintenance in unauthorized service centers.
  - If the defect of the product was a result of use of non-standard and/or low quality equipment, accessories, spare parts, batteries.
  - If the defect of the product is associated with its use in conjunction with additional equipment (accessories), other than additional equipment recommended by OURSSON AG for use with this product. OURSSON AG is not responsible for the quality of the additional equipment (accessories) manufactured by third parties, for the quality of its products together with such equipment, as well as the quality of the work of the additional equipment of OURSSON AG together with the products of other manufacturers.
6. Product defects detected during the lifetime of the product are eliminated by the authorized service centers (ASC). During the warranty period, elimination of defects is free of charge with the presentation of the original certificate of guarantee and documents that confirm the fact and date of the contract of retail purchase. In the absence of such documents, warranty period is calculated from the date of manufacture of goods. It should be taken into account:
    - Setup and Installation (assembly, the connection, etc.) of the product described in the documentation attached to it, does not enter the scope of warranty OURSSON AG and can be performed by the user as well as the specialists of most authorized service centers on a paid basis.
    - Work upon maintenance of products (cleaning and lubricating the moving parts, replacement of consumables and supplies, etc.) are made on a paid basis.
  7. OURSSON AG is not responsible for any damage directly or indirectly caused by their products to people, pets, property, if it occurred as a result of non-observance of the rules and conditions of use, storage, transportation or installation of the product, intentional or negligent actions of consumer or third parties.
  8. Under no circumstances, OURSSON AG is not responsible for any special, incidental, indirect or consequential loss or damage, including but not limited to: lost profits, damages caused by interruptions in the commercial, industrial or other activities, arising from the use of or inability to use the product.
  9. Due to continuous product improvement, design elements and some technical specifications are subject to change without prior notice from the manufacturer.

### Using the product when after the terms of use (lifetime):

1. Lifetime set by OURSSON AG for this product applies only when the product is used exclusively for personal, family or household needs, as well as the

consumer observes the correct operation, storage and transportation of products. Under the condition of careful handling of the product and compliance with the rules of operation the actual life may exceed the lifetime set by OURSSON AG.

2. At the end of the product lifetime, you should contact an authorized service center for to conduct a preventive maintenance of the product and determine the suitability for further use. Work on conducting a preventive maintenance of the products is also made in service centers on paid basis.
3. OURSSON AG does not recommend the use of this product after the end of its lifetime without its preventive maintenance by the authorized service center, since in this case, the product can be dangerous to the life, health or property of the consumer.

### Product Recycling and Disposal

This appliance has been identified in accordance with the European directive 2002/96/EG on Waste Electrical and Electronic Equipment – WEEE. After the expiration of the lifetime, the product cannot be disposed with another household waste. Instead, it shall be deposited in the appropriate recycling collection point for electrical and electronic equipment for proper treatment and disposal in accordance with federal or local law. By disposing correctly this product, you will help to conserve natural resources and preventing the product from damaging the environment and human health. For more information on the collection point and recycling of this product, please contact your local municipal authorities or the enterprise for household waste disposal.



### Date of manufacture

Each product has a unique serial number in the form of alphanumeric row and is duplicated with a barcode that contains the following information: name of the product group, date of manufacture, serial number of the product.



Serial number is located on the rear of the product, on the package and the warranty card.

- 1 The first two letters – correspondence to the product group (juice maker - JM).
- 2 The first two digits – year of manufacture.
- 3 The second two digits – month of manufacture.
- 4 The last two digits – serial number of product.

To avoid misunderstandings, we highly recommend you to read carefully the instruction manual and the warranty obligations. Check the correctness of the warranty card. Warranty card is valid only if the following are correctly and clearly stated: model, serial number, date of purchase, clear stamps, buyer's signature. The serial number and the model of the device must be the same as in the warranty card. If these conditions are not fulfilled or the data specified in the warranty card was changed, the warranty card is invalid.



# oursson

If you have questions or problems with OURSSON AG products - please contact us by e-mail: [support@oursson.com](mailto:support@oursson.com)

This manual is under protection of international and EU copyright law. Any unauthorized use of the instructions, including copying, printing and distribution, but not limited to, involves the application of the guilty person to civil liability and criminal liability.

Contact information:

1. Manufacturer of goods - OURSSON AG (Orson AG), Rue du Grand-Chêne 5, 1003 Lausanne, Switzerland.
2. Certification information product available on the website [www.oursson.com](http://www.oursson.com).

OURSSON AG  
Made in China

CE

## ҚАУІПСІЗДІК ЖӨНІНДЕГІ НҰСҚАУЛЫҚ, А сур.



### Қауіптілік символы

Пайдаланушыға жоғары кернеу туралы ескерту.



### Ескерту символы

Нұсқаулыққа сәйкес барлық әрекеттерді жүргізу қажеттілігі туралы пайдаланушыға ескерту.

Электр аспаптарын пайдалану кезінде келесі сақтық шараларын сақтау керек:

- Аспапты осы пайдалану нұсқаулығына сәйкес пайдаланыңыз.
- Аспапты орнықты бет үстіне орнатыңыз.
- Құрылғы жиынтығына кіретін керек-жарақтарды ғана пайдаланыңыз.



Өрт немесе электр тогының соғу қаупін болдырмау үшін құрылғыға су тиюіне және құрылғыны жоғары ылғалдылық жағдайында пайдалануға жол бермеңіз. Егер қандай да бір себептермен құрылғы ішіне су кірсе, уәкілетті қызмет көрсету орталығына (USC) хабарласыңыз.

- Аспаптың электрмен жабдықтау үшін тиісті сипаттамалары бар электр желісін пайдаланыңыз.
- Аспапты ауада тез тұтанатын заттардың буы болуы мүмкін орынжайларда пайдаланбаңыз.
  - Ешқашан өз бетімен құрылғыны ашпаңыз – бұл электр тогының соғу себебі болуы, аспаптың істен шығуына әкелуі мүмкін және өндірушінің міндеттемелерінің күшін жояды. Жөндеу және техникалық қызмет көрсету үшін тек OURSSON сауда маркасының өнімдерін жөндеуге уәкілетті қызмет көрсету орталықтарына хабарласыңыз.
- Құрылғыны салқын бөлмеден жылы бөлмеге және керісінше жылжитқан кезде, оны қолданудан бұрын ашыңыз және қоспай, 1-2 сағат күтіңіз.



Электр тогының соғу қаупіне жол бермеу мақсатында, сымдардың немесе бүкіл бұйымның суға батырылуына жол бермеңіз.

- Егер жұмыс істеп тұрған аспаптың жанында балалар болса, ерекше сақ және мұқият болыңыз.
- Аспаптың ыстық бетіне қол тигізбеңіз, бұл жарақатқа әкелуі мүмкін.
- Қорек бауын үстелдің өткір жиегінен немесе қыздырылған бет үстілеріне тигізбеңіз.
- Сымды үстелдің өткір жиегінен салбырауына немесе қыздырылған бет үстілеріне тиюіне жол бермеңіз.
- Бұл аспапты басқа электр құрылғыларымен шамадан тыс жүктелген желіге қоспаңыз: бұл құрылғының дұрыс жұмыс істеуіне әкелуі мүмкін.
- Өнімді газ және электр плиталарына, сондай-ақ пештерге жақын орнатпаңыз.
- Аспап қорек бауы зақымдалған кезде, сондай-ақ өнімнің қалыпты жұмысы бұзылған жағдайда, егер аспап құлап кетсе немесе басқа жолмен зақымдалса, пайдаланбаңыз.
- Өнімді желіден ажыратқан кезде, штепсельді

ғана ұстаңыз, сымнан ұстап тартпаңыз – бұл сымның немесе розетканың зақымдалуына және қысқа тұйықталуға әкелуі мүмкін.

- Пайдалану аяқталған соң, бұйымды желіден ажыратыңыз.
- Құрылғыны соққылардан, құлаудан, дірілден және басқа механикалық әсерлерден қорғаңыз.
- Жууды бастар алдында, құрылғыны міндетті түрде желіден ажыратыңыз.
- Бұйымды бөлмеден тыс пайдаланбаңыз.
- Бұл аспап физикалық, сенсорлық немесе ақыл-ой қабілеттері шектеулі немесе тәжірибесі мен білімі жоқ адамдарға (соның ішінде балаларға) қолдануға арналмаған. Олар аспапты олардың қауіпсіздігіне жауапты адамның бақылауымен немесе аспапты қауіпсіз пайдалану туралы нұсқаулықтан кейін ғана пайдалана алады. Балалардың бұйыммен ойнауына рұқсат бермеңіз.
- Бұл өнім тек күнделікті өмірде пайдалануға арналған.
- Аспапты тазалау кезінде абразивті материалдар мен органикалық тазартқыш заттарды (спирт, бензин және т.б.) пайдаланбаңыз. Құрылғының корпусын тазарту үшін аз мөлшерде көз тарап жуғыш затты қолдануға рұқсат етіледі.

## ҰСЫНЫМДАР

- Құрылғыны қолданудан бұрын пайдаланушы нұсқаулығымен мұқият оқып шығыңыз. Оқығаннан кейін оны болашақта пайдалану үшін сақтаңыз.
- Осы нұсқаулықта келтірілген барлық суреттер ерекшеленуі мүмкін нақты объектілердің сызбалық суреттері болып табылады.
- Сүзгі зақымдалған жағдайда, құрылғыны пайдалануды тоқтатыңыз және OURSSON AG уәкілетті қызмет көрсету орталығына (УҚКО) хабарласыңыз.



Аспап қорғағыш бұғаттауымен жабдықталған. Егер тостағанның қақпағы тостағанға дұрыс орнатылмаған болса, тостағанның қақпағындағы арнайы ысырма ойыққа түспесе, тостағанның қақпағын сағат тілімен бұрау мүмкін болмайды. Қақпақтың дұрыс орнатылғанына көз жеткізіңіз.



Бұл құрылғыны пайдалану ешқандай жағдайда оған дене күшін қолдануды қарастырмайды, өйткені бұл пайдаланушының кінәсінен өнімнің бұзылуына әкелуі мүмкін.

## ТОЛЫМДАЛУЫ, В сур.

- 1 Итергіш ..... 1 дана.
  - 2 Шүмектері бар шырын дайындауға ыдыс ..... 1 дана.
  - 3 Иірлік/Қысқыш бұрамасы ..... 1 дана.
  - 4 Сүзгі ..... 1 дана.
  - 5 Сүзгіге арналған силикон сақинасы ..... 1 дана.
  - 6 Күнжараға арналған сыйымдылық ..... 1 дана.
  - 7 Шырынға арналған сыйымдылық ..... 1 дана.
  - 8 Жүктеу тостағаны ..... 1 дана.
  - 9 Мотор блогы ..... 1 дана.
  - 10 Тазалауға арналған щетка ..... 1 дана.
  - 11 Жүктеу тостағанына арналған қақпақ (JM4700 үшін) ..... 1 дана.
- Пайдалану жөніндегі нұсқаулық ..... 1 дана.  
Кепілдік талоны ..... 1 дана.

## КОНСТРУКЦИЯ ЭЛЕМЕНТТЕРІ, С сур.

- 1 Шырын шығаратын қақпағы бар шүмек
- 2 Қосу/тоқтату/реверс (кері жүріс) пернесі
- 3 Күнжара шығатын шүмек

## ПАЙДАЛАНЫЛУЫ, D сур.

**Алғашқы қолданудан бұрын** аспаптың корпусын құрғақ және жұмсақ шүберекпен сүртіңіз. Қалған бөліктерін ыдыс жуатын сұйықтық қосылған жылы сумен жуыңыз. **Аспапты құрастырудан немесе бөлшектенуден бұрын және/немесе саптамаларды ажыратудан бұрын, аспаптың розеткадан ажыратылғанына көз жеткізіңіз.**

### 1 қадам, D-1 сур.

Сүзгіні алып, оған силикон сақинасын орнатыңыз, сақинадағы шығыңқы жерді сүзгідегі ойықпен туралаңыз. Силикон сақинасына аздап басыңыз. Силикон сақинасының сүзгіге мықтап орнатылғанына көз жеткізіңіз.

### 2 қадам, D-2 сур.

Шүмегі бар ыдысты мотор блогына орнатыңыз. JM4600 моделі үшін суретте көрсетілгендей екі белгіні біріктіріңіз. JM4700 моделі үшін шырын мен күнжараға арналған шүмектерді мотор блогындағы ойықтармен біріктіріңіз.

### 3 қадам, D-3 сур.

Иірлікті/қысқыш бұраманы орнына тұрғанға дейін аздап бұрай отырып, шүмегі бар тостағанның ортасына салыңыз.

### 4 қадам, D-4 сур.

Сүзгіні шүмектері бар ыдысқа, силикон сақинасына төмен қаратып салыңыз. Сүзгідегі ең үлкен шығыңқы орынға назар аударыңыз. Суретте көрсетілгендей сүзгі мен тостағанның нүктелері біріктірілгеніне көз жеткізіңіз.

### 5 қадам, D-5 сур.

Жүктеу тостағанын шүмегі бар тостағанға орнатыңыз және суретте көрсетілгендей сағат тілімен бұраңыз. Қақпақты жүктеу ыдысына орнатыңыз (JM4700 моделі үшін).

Ескертпе: Көп мөлшерде көбік беретін ингредиенттерден шырын дайындаған кезде әрқашан шүмектің қақпағын ашық қалдырыңыз, C-1 сур.

Аспаптың тұтқасында қосу пернесі орналасқан.

Перненің үш қалыбы бар (C-2 сур.):

ON (Δ) – Қосу;

□ – Стоп/моторды тоқтату;

REV (∇) – Кері жүріс/реверс.



«Қосу» және «Кері соққы» қалыптары арасында ауыстырып қосқан кезде, иірлікті тоқтату үшін батырманы «Тоқтату» қалыбына 5 секундқа ауыстырыңыз.

Күнжара мен шырынға арналған сыйымдылықты тиісті шүмектердің астына қойыңыз. Құрастыру аяқталғаннан кейін аспапты электр желісіне қосыңыз.

## ЖҰМЫС ІСТЕУ ТӘРТІБІ, E сур.

1. Аспапты құрастырыңыз, D сур. Аспаптың айырын розеткаға қосыңыз.
  2. Қосу батырмасын басыңыз, C-2 сур.
  3. Итергішті пайдаланып, алдын-ала дайындалған ингредиенттерді жүктеу саңылауына орналастырыңыз, E сур. Өнімдер JM4600 моделі үшін кесектерге кесілуі керек. JM4700 моделі үшін тұтас және кесілген ингредиенттерді қолдануға болады. Тұтас ингредиенттерді орналастыру үшін тиеу ыдысынан қақпақты шешіп алыңыз, B-11 сур.
- Ескертпелер:
- Ингредиенттерді дайындау үшін дайындау бойынша ұсыныстарды орындаңыз.
  - Жүктеу тостағанын шамадан тыс толтырмаңыз.



Мотордың қызып кетуін болдырмау үшін аспапты үздіксіз пайдаланудың ең ұзақ рұқсат етілген уақыты-10 мин. Циклдар арасындағы үзіліс 5 минут болуы керек.



Жүктеу тостағанына температурасы 80°C-тан жоғары ингредиенттерді салмаңыз. Оларды суытыңыз.



Күнжара шығаратын саңылаудан күнжараны шығару үшін қасықтарды немесе басқа бөгде заттарды пайдаланбаңыз, себебі бұл аспаптың сынуына әкелуі мүмкін.



Ингредиенттерді жүктеу саңылауына итеру үшін жиынтыққа кіретін итергішті ғана қолданыңыз. Өнімдерді қолмен немесе бөгде заттармен итеруге тыйым салынады, себебі бұл жарақатқа әкелуі мүмкін.

4. Егер ингредиенттердің тығыз массасы шырын сыққыш механизміне жабысып, шырынның қозғалуына кедергі келтірсе, қозғалтқыш толық тоқтағанға дейін батырманы "Стоп" қалыбына ауыстырыңыз, содан кейін батырманы "Кері соққы" қалыбына ауыстырыңыз. Иірлік кері бағытта айнала бастайды. Бірнеше секундтан кейін батырманы қайтадан "Стоп" қалыбына ауыстырыңыз және қозғалтқыш тоқтағаннан кейін "Қосу" батырмасын басыңыз. Қажет болған жағдайда, осы операцияны қайталаңыз.

5. Сығу аяқталғаннан кейін шырынның қалдықтары үстелге тамшыламауы үшін шүмектің қақпағын жабыңыз. Аспапты сөндіріп, оны электрлі қуат желісінен ажыратыңыз.

Ескертпе: Жаңа сығылған шырынды дайындағаннан кейін бірден тұтыну ұсынылады, себебі біраз уақыттан кейін олар қабыршақтана бастайды және пайдалы қасиеттерін жоғалтады.


## ДАЙЫНДАУ БОЙЫНША ҰСЫНЫМДАР


1. Шырын сыққыштың бөлшектеріне зақым келтірмеу үшін кептірілген немесе қатты өнімдерді, мысалы, дәнді дақылдар, тұқымдары қатты, қабығы тығыз жемістер немесе мұз салмаңыз. Мұздатылған өнімдерді жібіту керек.
2. Бұршақтарды немесе дәнді түнде суға алдын-ала жібітіп, қайнатсаңыз қолдануға болады.

3. Өнімдерді сұйықтықсыз сығуға болмайды (Кокос, қант қамысы, тұтас дәндер және т.б.).
4. Құрамында көп мөлшерде өсімдік майы немесе жануар майы бар ингредиенттерді пайдаланбаңыз. Ингредиенттерден өсімдік майын сығу үшін шырын сыққышты пайдаланбаңыз. Егер өсімдік немесе жануар майы қысқыш бұрамаға түссе, бұл өнімділікті төмендетіп, шырын сыққыштың бөлшектерін зақымдауы мүмкін.
5. Шығарылған күнжараны шырын сыққышқа жүктемеңіз. Бұл сынуына әкелуі мүмкін.
6. Ұсақ дәндері бар ингредиенттерден шырын дайындағаннан кейін, барлық бөлшектерді сүйектен тазарту керек.
7. Шырынның мөлшері өнімдердің балғындығы мен шырындылығына тікелей байланысты. Көкөністер немесе жемістер неғұрлым жаңа болса, соғұрлым көп шырын шығады.

Азық-түліктердің ерекшелігі	Азық-түліктер	Ұсынымдар
Тұқымдары қатты	Өрік, шабдалы, манго, нектарин, қара өрік және т. б.	Өнімдерден сүйек/тұқымын алып тастаңыз.
Қатты немесе жеуге болмайтын қабығымен	Манго, апельсин, ананас, қарбыз, қауын және т. б.	Алдын ала қабығын аршып, сүйектерді алып тастаңыз.
Жұмсақ жемістер мен көкөністер	Апельсин, қызанақ және т. б.	Қажет болған жағдайда, жемістер/ көкөністерді қабығынан және ірі сүйектен тазартыңыз, сабағын алып тастаңыз. Кесектерге бөліңіз.
Қатты жемістер мен көкөністер	Сәбіз, картоп, қызылша және т. б.	Қатты жемістер/көкөністер қозғалтқышқа қосымша жүктеме беріп, қызып кетуіне және тоқтап қалуына әкелуі мүмкін. Жұмыс циклдері арасында үзілістерді қадағалаңыз. Қатты ингредиенттерді кішкене текшелерге немесе тілімдерге кесіңіз. Егер азық-түлік жаңа піскен болмаса, суық суға алдын-ала салып қоюға болады.
Ұсақ дәндері бар ингредиенттер	Таңқурай, алма, алмұрт, жүзім және т. б.)	Сүзгінің бітелуіне жол бермеу үшін ұсақ сүйектер/тұқымдары бар азық-түліктерді шырын сыққышқа кішкене бөліктермен баяу салу керек. Жүзімді сығудан бұрын бұтақтарын, ал анардың қабығын алып тастаңыз.
Талшықты немесе қатты жапырақты ингредиенттер	Балдыркөк, қырыққабат, ананас	Азық-түліктерді ұзыншалап кесіңіз. Қажет болған жағдайда, сабақтарын жапырақтардан бөліңіз. Қажет болған жағдайда, сабақтарын жапырақтардан бөліңіз. Жапырақтары мен сабақ бөліктерін кезектестіріңіз. Жақсы нәтижеге қол жеткізу үшін шырын сыққышты мезгілмен бөлшектеу және жуу ұсынылады. Егер жапырақтары қысқыш бұрамаға оралған болса, қақпағын ашып, талшықтарды алып тастаңыз, содан кейін жұмысты жалғастырыңыз. Ананас сияқты өнімдерді алдымен қабығынан аршып, өзегін кесіп тастау керек, содан кейін ананас жұмсағын кішкене кесектерге кесу керек.

## ТАЗАЛАУ ЖӘНЕ КҮТІМ КӨРСЕТУ, F сур.

-  Аспаптың барлық бөлшектерін оны қолданғаннан кейін бірден тазалаңыз.

 Аспапты жеңіл тазалау үшін жүктеу саңылауына су құйыңыз (шүмегі бар тостағанның көлемінен артық емес) және шырын сыққышты 30 сек қосыңыз.


- Аспапты сөндіріп, қозғалтқыштың тоқтағанын күтіңіз және желіден ажыратыңыз.
- Итергішті алып шығыңыз, шүмегі бар жүктеу тостағанын сағат тіліне қарсы бағытта бұрап, шешіп алыңыз. Қалған күнжараны тостағаннан алып шығыңыз. Оны электр қозғалтқыш блогынан алып шығыңыз. Иірлік пен сүзгіні абайлап алыңыз. Силикон сақинасын сүзгіден ажыратыңыз.



- Мотор блогынан басқа барлық конструкция элементтерін жылы сабынды сумен шайыңыз, тазалау үшін щеткасын қолданыңыз.



Конструкция элементтерін ыдыс жуғыш машинада жууға немесе автоматты ыдыс кептіргіште кептіруге болмайды, себебі бұл уақыт өте келе пластикті бұзады және олардың деформациялануына және шырын сыққыштың сынуына әкелуі мүмкін.

- Электр қозғалтқыш блогын дымқыл және жұмсақ шүберекпен сүртіңіз.
-  Электр тогының соғу қаупіне байланысты мотор блогын ешқашан суға батырмаңыз.
- Тазалағаннан кейін аспаптың барлық конструкция элементтерін мұқият құрғатыңыз

## ЫҚТИМАЛ АҚАУЛАР ЖӘНЕ ОЛАРДЫ ЖОЮ ТӘСІЛДЕРІ

Ықтимал проблема	Шешу тәсілдері
Аспап жұмыс істемейді	<ul style="list-style-type: none"> <li>• Сымның желіге қосылғанын тексеріңіз.</li> <li>• Дұрыс құрастырылғанын тексеріңіз, аспапты нұсқауларға сәйкес бөлшектеңіз және жинаңыз.</li> <li>• Егер ақаулықты жою мүмкін болмаса, OURSSON уәкілетті қызмет көрсету орталығына хабарласыңыз.</li> </ul>
Шырын аз	<ul style="list-style-type: none"> <li>• Өр түрлі ингредиенттердің ылғал мөлшері әртүрлі.</li> <li>• Егер ұсақ сүйектері бар ингредиенттер қолданылса, онда бірнеше жүктеуден кейін олардың болуы шырынның мөлшерін азайтуы мүмкін. Жақсы нәтижеге қол жеткізу үшін дайындау арасында аспапты бөлшектеп, тұқымдардан тазартыңыз..</li> </ul>
Шырынның жұмсағы мен күнжара көп	<ul style="list-style-type: none"> <li>• Шырынды тұрақты сыққан жағдайда, сондай-ақ ингредиенттерге байланысты шырынның құрамында жұмсағы мен күнжарасы көп болуы мүмкін.</li> <li>• Шырынның жұмсағы мен күнжараны азайту үшін шырын ыдысын жиі бөлшектеп, күнжараны алып отырыңыз.</li> <li>• Егер сүзгі немесе бұранда зақымдалған болса - бұл шырынның өнімділігі мен сапасына әсер етуі мүмкін. Оларды ауыстыру ұсынылады. Өр бөлшектің қызмет ету мерзімі аспаптың пайдаланылу ұзақтығы мен әдісіне, сондай-ақ сүзгіге арналған ингредиенттерге байланысты.</li> <li>• Егер шырын сыққышқа бір уақытта тым көп ингредиенттер берілсе, бұл жиі тоқтап қалуға, сонымен қатар жұмсағы мен күнжарасы көп шырын беруі мүмкін. Ингредиенттерді баяу және кішкене бөліктермен салып отырыңыз.</li> </ul>
Аспаптың жұмысындағы бөгде дыбыстар	<ul style="list-style-type: none"> <li>• Шырын сыққыштың барлық бөліктері дұрыс жиналғанына көз жеткізіңіз.</li> <li>• Шырын сыққышты ингредиенттерсіз немесе кем дегенде ондағы сұйықтықсыз қоспаңыз. Бос шырын сыққыштың жұмысы қысқыш бұраманы істен шығаруы мүмкін.</li> <li>• Ингредиенттердің түріне немесе мөлшеріне байланысты аспап жұмыс істеген кезде әртүрлі шу пайда болуы мүмкін.</li> <li>• Егер шырын сыққыш тегіс емес немесе көлбеу жерде жұмыс істесе, шу пайда болуы мүмкін. Оны тегіс, орнықты көлденең бет үстіне қойыңыз.</li> </ul>
Күнжара өте ылғалды	<ul style="list-style-type: none"> <li>• Шырын сыққыштың жұмыс істеу басында күнжара дымқыл болуы мүмкін.</li> <li>• Егер тұрып қалған ингредиенттер қолданылса, алынған күнжара ылғалды болуы мүмкін.</li> </ul>
Дайындау кезінде тостаған дірілдейді	<ul style="list-style-type: none"> <li>• Аспап жұмыс істеп тұрған кезде шырын тостағанының шамалы дірілдеуіне жол беріледі, бұл ақаулық болып табылмайды.</li> </ul>
Аспап жұмысын тоқтатты	<ul style="list-style-type: none"> <li>• Аспаптың тостағаны шамадан тыс толған немесе моторы шамадан тыс тиелген болуы мүмкін.</li> <li>• Тостағанға бөгде заттардың түсуіне байланысты аспап бітелген болуы мүмкін (мысалы, жемістерді қнатты сүйектері). Аспапты бөлшектеңіз, бөгде заттарды алып тастаңыз және шырын сыққышты қайтадан жинаңыз.</li> <li>• Аспапты сөндіріп, 2-3 секунд ішінде REV режиміне қойыңыз, содан кейін аспапты қайтадан қосыңыз.</li> </ul>

## ӨНІМНІҢ СЕРТИФИКАТТАЛУЫ

сәйкестік сертификаты туралы ақпаратты <http://www.oursson.com/rus/ru/about/partners/certificates/#tab0> сайтынан қараңыз немесе сатушыдан көшірмесін сұраңыз.



Құрылғыны жөндеу жұмыстарын тек OURSSON AG уәкілетті сервис орталығының білікті маманы ғана жүргізуі тиіс

Спецификация		
Үлгі	JM4600	JM4700
Энергияны тұтыну, В	max 150	max 150
Номиналды кернеу	220-240 V~; 50-60 Hz	220-240 V~; 50-60 Hz
Электр тоғынан қорғаныс класы	I	I
Сақтау және өңдеу температурасы	-25 °C дейін +35 °C	-25 °C дейін +35 °C
Жұмыс температурасы бастап	+5 °C дейін +35 °C	+5 °C дейін +35 °C
Ылғалға қойылатын талаптар	15-75%	15-75%
Өлшемдері (LxWxH), мм	101x125x359	150x110x372
Салмақ, кг	1.6	2.2

\*Өнім құрғақ, желдетілетін бөлмеде кемінде 20°C температурада сақталуы керек.

## СЕРВИСТІК ҚЫЗМЕТ КӨРСЕТУ

OURSSON AG компаниясы біздің өнімімізді таңдағаныңыз үшін алғысын білдіреді. Бұл бұйым сіздің қажеттіліктеріңізді қанағаттандыруы үшін, ал сапасы үздік әлемдік үлгілерге сәйкес болуы үшін қолдан келгеннің бәрін жасадық. Егер OURSSON маркалы бұйымыңыз техникалық қызмет көрсетуді қажет ететін болса, уәкілетті сервистік орталықтардың (бұдан әрі – УСО) бірін хабарласуыңызды сұраймыз. УСО толық тізімімен және олардың нақты мекенжайларымен [www.oursson.ru](http://www.oursson.ru) сайтында, сондай-ақ OURSSON AG тегін сенім телефонына қоңырау шалу арқылы таныса аласыз. OURSSON AG өніміне байланысты сұрақтар немесе проблемалар туындаған жағдайда, тұтынушылардың тиісті емес сапалы тауарға қатысты талаптарын қабылдауға және қанағаттандыруға уәкілетті ұйымға жазбаша түрде немесе [info@oursson.ru](mailto:info@oursson.ru) электрондық пошта арқылы хабарласуыңызды сұраймыз.

### OURSSON AG кепілдік міндеттемелерінің шарттары:

1. OURSSON AG УСО ұсынатын OURSSON AG кепілдік міндеттемелері тек осы елде сатып алынған, осы елдің стандарттарына сәйкестікке сертификаттаудан өткен, сондай-ақ ресми сәйкестік белгілерімен таңбаланған кепілдік қызмет көрсетілетін елдің аумағында өндіруге немесе жеткізуге және сатуға арналған OURSSON AG модельдеріне ғана қолданылады.
2. OURSSON AG кепілдік міндеттемелері тұтынушылардың құқықтарын қорғау туралы заңнама шеңберінде әрекет етеді және аумағында ұсынылған елдің заңнамасымен реттеледі және бұйымды тек жеке, отбасылық немесе үй қажеттіліктері үшін пайдаланған жағдайда ғана реттеледі. OURSSON AG кепілдік міндеттемелері тауарларды кәсіпкерлік қызметті жүзеге асыру мақсатында немесе кәсіпорындардың, мекемелердің, ұйымдардың қажеттіліктерін қанағаттандыру мақсатында тауарларды сатып алуға байланысты пайдалану жағдайларына қолданылмайды.
3. OURSSON AG өз бұйымдарына келесі қызмет ету мерзімін және кепілдік мерзімін белгілейді:

Өнімнің атауы	Қызмет ету мерзімі, сатып алған күннен бастап ай	Кепілдік мерзімі, сатып алған күннен бастап ай
Қысқа толқынды пештер, нан пісіретін пештер, индукциялық плиталар	60	12
Мульти пісіргіштер, ас үй процессорлары, ас үй машиналары, электрлі шәйнектер, электрлі грильдер, блендерлер, араластырғыштар, ет тартқыштар, тостерлер, термолоттар, ростерлер, кофеайнатқыштар, бумен пісіргіштер, шыршын сығқыштар, ұсақтағыштар, дегидраторлар, йогурт жасағыштар, ферментаторлар, шағын духовкалар, мұздатқыштар, тоңазытқыштар, автоматты кофеайнатқыштар, стерилизатор, жылытқыш	36	12
Ай үс таразысы, сифондар	24	12

4. OURSSON AG кепілдік міндеттемелері ауыстыру конструкциясында көзделген болса және бұйымды бөлшектеуге байланысты болмаса, төменде көрсетілген бұйымның керек-жарақтарына қолданылмайды:
  - Қуат элементтері.
  - Қаптар, белдіктер, тасымалдауға арналған баулар, монтаждық құрылғылар, құрал-сайман, бұйымға қоса берілетін құжаттама.
5. Кепілдік тұтынушының тауарды пайдалану, сақтау немесе тасымалдау қағидаларын бұзуы, үшінші тұлғалардың іс-әрекеті немесе еңсерілмейтін күш салдарынан бұйымда туындаған кемшіліктерге қолданылмайды, келесі жағдайлар қоса алынады, бірақ олармен шектелмейді:
  - Егер тауардың кемшілігі ұқыпсыз пайдалану, тауарды мақсатсыз пайдалану, пайдалану жөніндегі нұсқаулықта баяндалған пайдалану шарттары мен қағидаларын бұзу, оның ішінде жоғары немесе төмен температуралардың, жоғары ылғалдылықтың немесе шаңның әсерінің, аспап корпусын ашу және/немесе өз бетімен жөндеу іздерінің, қуат желілері параметрлерінің мемлекеттік стандарттарына сәйкес келмеуінің, корпус ішіне сұйықтықтың, жәндіктер және өзге бөгде заттардың, заттердің түсуі, сондай-ақ бұйымның оның жұмысының шекті режимдерінде ұзақ пайдаланылуының салдарынан болса.
  - Судың сапасы мен қақ шөгіндісінен болатын

зақымданулар мен ақаулар (қақтан тазарту және тазарту кепілдік қызмет көрсетуге кірмейді және оны өзінің YHEMI жасап отыруыңыз керек).

- Егер тауардың кемшілігі тауарды рұқсатсыз тестілеу немесе оның конструкциясына немесе оның бағдарламалық жасақтамасына кез келген өзгерістер енгізу, соның ішінде OURSSON AG уәкілеттік бермеген жөндеу ұйымында жөндеу немесе техникалық қызмет көрсету әрекеттерінің салдары болып табылса.
  - Егер тауардың кемшілігі стандартты емес (типтік емес) және (немесе) сапасыз керек-жарақтарды, аксессуарларды, қосалқы бөлшектерді, қуат элементтерін пайдаланудың салдары болып табылса.
  - Егер тауардың кемшілігі OURSSON AG осы тауармен қолдануға ұсынғаннан қосымша жабдықтан басқа қосымша жабдықпен (аксессуарлармен) қолдануға байланысты болса. OURSSON AG үшінші тұлғалар өндірген қосымша жабдықтың (аксессуарлардың) сапасы үшін, осындай жабдықпен бірге өз өнімдерінің жұмыс сапасы үшін, сондай-ақ басқа өндірушілердің бұйымдарымен бірге OURSSON AG компаниясы шығарған қосымша жабдықтың жұмыс сапасы үшін жауапкершілік көтермейді.
6. Қызмет ету мерзімі кезеңінде анықталған тауардың кемшіліктерін осыған уәкілеттік берілген жөндеу ұйымдары (УСО) жояды. Кепілдік мерзімі ішінде кемшіліктерді жою толтырылған кепілдік талонының және бөлшек сатып алу-сату шартын жасау фактісі мен күнін растайтын құжаттардың (тауарлық, кассалық чек және т.б.) түпнұсқасын ұсынған кезде тегін жүргізіледі. Көрсетілген құжаттар болмаған жағдайда кепілдік мерзімі тауар дайындалған күннен бастап есептеледі. Бұл ретте мынаны ескеру керек:
- Оған қоса берілген құжаттамада сипатталған бұйымды баптау және орнату (құрастыру, қосу және т.б.) OURSSON AG кепілдік міндеттемелерінің көлеміне кірмейді және оны пайдаланушының өзі және тиісті бейіндегі уәкілетті қызмет көрсету орталықтарының мамандары да ақылы негізде орындай алады.
  - Бұйымдарға техникалық қызмет көрсету бойынша жұмыстар (қозғалатын бөлшектерді тазалау және майлау, шығыс материалдары мен керек-жарақтарды ауыстыру және т.б.) ақылы негізде жүргізіледі.
7. OURSSON AG өз өнімінен адамдарға, үй жануарларына, мүлікке тікелей немесе жанама түрде келтірілген зиян үшін, егер бұл бұйымды пайдалану, сақтау, тасымалдау немесе орнату қағидалары мен шарттарын қадағаламау нәтижесінде болған жағдайда; тұтынушының немесе үшінші тұлғалардың қасақана немесе ұқыпсыз әрекеттерінен болған жағдайда жауапкершілік көтермейді.
8. OURSSON AG еш жағдайда қандай да бір ерекше, кездейсоқ, тікелей немесе жанама залал немесе зиян, соның ішінде, бірақ онымен шектелмей, коммерциялық, өндірістік немесе басқа қызметтегі үзілістерден туындаған, бұйымды пайдалану немесе пайдалану мүмкін еместігінен туындаған шығындар үшін жауапкершілік көтермейді.
9. Өнімді тұрақты жетілдіру салдарынан дизайн

элементтері мен өнімнің кейбір техникалық сипаттамалары өндіруші тарапынан алдын ала хабарландырусыз өзгертілуі мүмкін.

#### **Бұйымды қызмет ету мерзімі өткеннен кейін пайдалану:**

1. OURSSON AG осы бұйым үшін белгілеген қызмет ету мерзімі бұйымды тек жеке, отбасылық немесе үй қажеттіліктері үшін пайдаланған жағдайда, сондай-ақ тұтынушы бұйымды пайдалану, сақтау және тасымалдау қағидаларын сақтаған жағдайда ғана жарамды. Бұйымды ұқыпты пайдалану және пайдалану қағидаларын қадағалаған жағдайда нақты қызмет ету мерзімі OURSSON AG белгілеген қызмет ету мерзімінен асып кетуі мүмкін.
2. Бұйымның қызмет ету мерзімі аяқталғаннан кейін бұйымға профилактикалық қызмет көрсетуді жүргізу және оның одан әрі пайдалануға жарамдылығын анықтау үшін уәкілетті сервистік орталыққа жүгіну қажет. Бұйымға профилактикалық қызмет көрсету және оның диагностикасы жөніндегі жұмыстарды сервистік орталықтар ақылы негізде орындайды.
3. OURSSON AG қызмет ету мерзімі аяқталғаннан бұйымды Уәкілетті қызмет көрсету орталығында профилактикалық қызмет көрсетусіз пайдалануды жалғастыруды ұсынбайды, себебі бұл жағдайда бұйым тұтынушының өміріне, денсаулығына немесе мүлігіне қауіп төндіруі мүмкін.

#### **Бұйымды кәдеге жарату**

Осы тұрмыстық электр құрылғысының ЕО 2002/96/EG директивасының талаптарына сәйкес қызмет ету мерзімі өткен электрлік және электронды құрылғылар туралы (waste electrical and electronic equipment – WEEE) белгісі бар. Бұйымның қызмет ету мерзімі өткен кәдеге жарату үшін электрлік және электронды жабдықты тиісті қабылдау пунктінде кәдеге жаратуға тапсырылады. Осы өнімнің дұрыс кәдеге жаратылуын қамтамасыз ете отырып, сіз табиғи ресурстарды сақтауға және қоршаған орта мен адамдардың денсаулығына зиян келтірмеуге көмектесесіз. Осы өнімді қабылдау және кәдеге жарату пункттері туралы аса толық ақпаратты жергілікті муниципалды органдардан немесе тұрмыстық қоқыстарды шығаратын кәсіпорындан алуға болады.



### Өндірілген күні

Әр бұйымға әріптік-цифрлық қатар түріндегі бірегей сериялық нөмір тағайындалады және келесі ақпаратты: тауар тобының атауын, өндірілген күнін, бұйымның реттік нөмірін қамтитын штрих-кодпен қайталанады. Сериялық нөмір өнімнің артқы панелінде, қаптамада және кепілдік талонында орналасады.



Сериялық нөмір өнімнің артқы панелінде, қаптамада және кепілдік талонында орналасады.

- 1 Алғашқы екі әріп – тауар тобына сәйкестік (шырын сыққыш - JM).
- 2 Алғашқы екі сан – өндірілген жылы.
- 3 Екінші екі сан – өндірілген айы.
- 4 Соңғы сандар – бұйымның сериялық нөмірі.



Түсінбеушілікке жол бермеу үшін сізден бұйымды пайдалану жөніндегі нұсқаулықты және кепілдік міндеттемелердің шарттарын мұқият оқуыңызды, кепілдік талонның дұрыс толтырылғанын тексеруіңізді сұраймыз. Бұйымның моделі, сериялық нөмірі, сатып алу күні дұрыс және айқын көрсетілген, сатушы-фирманың айқын мөрі, сатып алушының қолы болған жағдайда кепілдік талоны жарамды болады. Бұйымның сериялық нөмірі мен моделі кепілдік талонында көрсетілгендерге сәйкес келуі керек. Бұл шарттар бұзылған кезде, сондай-ақ кепілдік талонда көрсетілген деректер өзгертілген немесе өшірілген жағдайда талон жарамсыз деп танылады.

# oursson®

Егер OURSSON AG өнімдеріне қатысты сұрақтарыңыз болса немесе проблемалар туындаса - бізге [support@oursson.com](mailto:support@oursson.com) электрондық поштасы арқылы хабарласыңыз.

Бұл нұсқаулық халықаралық авторлық құқық туралы заңнамамен және ЕО заңнамасымен қорғалған. Нұсқаулықтарды кез-келген түрде рұқсатсыз пайдалану, оның ішінде көшірме жасау, басып шығару және тарату, бірақ онымен шектелмей, пайдалану кінәлінің азаматтық жауапкершілікке тартылуын болжайды және қылмыстық жауапкершілікті қамтиды.

Байланыс ақпараты:

1. Тауар өндірушісі - OURSSON AG (Orson AG), Rue du Grand-Chêne 5, 1003 Лозанна, Швейцария.
2. Өнім сертификациясы туралы ақпарат [www.oursson.com](http://www.oursson.com) сайтында қолжетімді.

OURSSON AG  
Қытайда жасалған

## ИНСТРУКЦИЯ ПО БЕЗОПАСНОСТИ, Рис. А

RU



### Символ опасности

Напоминание пользователю о высоком напряжении.



### Символ предупреждения

Напоминание пользователю о необходимости проведения всех действий в соответствии с инструкцией.

При использовании электрических приборов следует соблюдать следующие меры предосторожности:

- Используйте прибор согласно данному руководству по эксплуатации.
- Устанавливайте прибор на устойчивую поверхность.
- Используйте только приспособления, входящие в комплект устройства.



- Чтобы предотвратить риск пожара или удара током, избегайте попадания в устройство воды и эксплуатации устройства в условиях высокой влажности. Если по каким-то причинам вода попала внутрь устройства, обратитесь в уполномоченный сервисный центр (УСЦ) OURSSON AG.

- Для электропитания прибора используйте электросеть с надлежащими характеристиками.
- Не используйте прибор в помещениях, где в воздухе могут содержаться пары легковоспламеняющихся веществ.



- Никогда самостоятельно не вскрывайте устройство – это может стать причиной поражения электрическим током, привести к выходу прибора из строя и аннулирует гарантийные обязательства производителя. Для ремонта и технического обслуживания обращайтесь только в сервисные центры, уполномоченные для ремонта изделий торговой марки OURSSON.

- При перемещении устройства из прохладного помещения в теплое и наоборот распахните его перед началом эксплуатации и подождите 1-2 часа, не включая.



- В целях предотвращения поражения электрическим током не допускайте погружения проводов или всего изделия в воду.

- Будьте особенно осторожны и внимательны, если рядом с работающим прибором находятся дети.
- Не дотрагивайтесь до горячих поверхностей прибора, это может привести к травме.
- Шнур питания специально сделан относительно коротким во избежание риска получения травмы.
- Не допускайте свисания шнура через острый край стола или его касания нагретых поверхностей.
- Не подключайте данный прибор к сети, перегруженной другими электроприборами: это может привести к тому, что прибор не будет функционировать должным образом.
- Не устанавливайте изделие вблизи газовых и электрических плит, а также духовок.
- Не используйте прибор при поврежденном шнуре питания, а также в случаях, если нарушена нормальная работа изделия, если оно падало или было повреждено каким-либо другим образом.
- При отключении изделия от сети держитесь только за вилку, не тяните за провод – это может

привести к повреждению провода или розетки и вызвать короткое замыкание.

- По окончании использования отключите изделие от сети.
- Оберегайте устройство от ударов, падений, вибраций и иных механических воздействий.
- Обязательно отключайте устройство от сети перед началом мойки.
- Не используйте изделие вне помещений.
- Этот прибор не предназначен для использования людьми (включая детей) с ограниченными физическими, сенсорными или умственными способностями, или нехваткой опыта и знаний. Они могут пользоваться прибором только под наблюдением человека, ответственного за их безопасность, или после инструктажа по безопасному использованию прибора. Не позволяйте детям играть с изделием.
- Настоящее изделие предназначено только для использования в быту.
- Не используйте при чистке прибора абразивные материалы и органические чистящие средства (спирт, бензин и т.д.). Для чистки корпуса прибора допускается использование небольшого количества нейтрального моющего средства.

## РЕКОМЕНДАЦИИ

- Перед использованием устройства внимательно ознакомьтесь с руководством пользователя. После чтения, пожалуйста, сохраните его для использования в будущем.
- Все иллюстрации, приведенные в данной инструкции, являются схематичными изображениями реальных объектов, которые могут отличаться от них.
- В случае повреждения сетки-фильтра прекратите использование устройства и обратитесь в уполномоченный сервисный центр (УСЦ) OURSSON AG.



Прибор оборудован защитной блокировкой. Если крышка чаши неправильно установлена на чашу, специальная защелка на крышке чаши не попадет в паз, и повернуть крышку чаши по часовой стрелке будет невозможно. Убедитесь, что крышка установлена правильно.



Эксплуатация данного прибора ни в коем случае не подразумевает применение к нему физической силы, так как это может привести к поломке изделия по вине пользователя.

## КОМПЛЕКТАЦИЯ

1	Толкатель.....	1 шт.
2	Чаша для приготовления сока с носиками .....	1 шт
3	Шнек/Нажимной винт.....	1 шт.
4	Фильтр .....	1 шт.
5	Силиконовое кольцо для фильтра.....	1 шт.
6	Емкость для жмыха.....	1 шт.
7	Емкость для сока .....	1 шт.
8	Загрузочная чаша.....	1 шт.
9	Моторный блок .....	1 шт.
10	Щетка для очистки.....	1 шт.
11	Крышка для загрузочной чаши (для JM4700).....	1 шт.
	Руководство по эксплуатации .....	1 шт.
	Гарантийный талон.....	1 шт.

## ЭЛЕМЕНТЫ КОНСТРУКЦИИ, Рис. С

- 1 Носик для выхода сока с крышкой
- 2 Клавиша включения/остановки/реверса (обратного хода)
- 3 Носик для выхода жмыха

## ИСПОЛЬЗОВАНИЕ, Рис. D

**Перед первым использованием** протрите корпус прибора сухой и мягкой тканью. **Остальные части вымойте теплой водой** с добавлением жидкости для мытья посуды. **Перед сборкой или разборкой прибора и/или отсоединением насадок убедитесь, что прибор выключен из розетки.**

### Шаг 1, Рис. D-1

Возьмите фильтр и установите на него силиконовое кольцо, совместив выступ на кольце с пазом в фильтре. Надавите слегка на силиконовое кольцо. Убедитесь, что силиконовое кольцо плотно установлено на фильтр.

### Шаг 2, Рис. D-2

Установите чашу с носиками на моторный блок. Для модели JM4600 совместите две отметки, как показано на рисунке. Для модели JM4700 совместите носики для сока и жмыха с пазами на моторном блоке.

### Шаг 3, Рис. D-3

Вставьте шнек/нажимной винт в центр чаши с носиками, слегка нажимая на него и поворачивая, пока он не встанет на место.

### Шаг 4, Рис. D-4

Вставьте фильтр в чашу с носиками, силиконовым кольцом вниз. Обратите внимание на положение самого большого выступа на фильтре. Убедитесь, что точки на фильтре и чаше совмещены, как показано на рисунке.

### Шаг 5, Рис. D-5

Установите загрузочную чашу на чашу с носиками и поверните ее по часовой стрелке, как показано на рисунке. Установите крышку на загрузочную чашу (для модели JM4700).

Примечание: Всегда оставляйте открытой крышечку у носика при приготовлении сока из ингредиентов, которые дают большое количество пены, Рис. С-1.

На ручке прибора расположена клавиша включения. Клавиша имеет три положения (Рис. С-2):  
ON (Δ) – Включение;  
□ – Стоп/остановка мотора;  
REV (∇) – Обратный ход/реверс.



При переключении между положениями «Включение» и «Обратный ход» обязательно переведите кнопку в положение «Стоп» на 5 сек. для остановки шнека.

Поместите емкость для жмыха и емкость для сока под соответствующие носики. По окончании сборки подключите прибор к электросети.

## ПОРЯДОК РАБОТЫ

1. Соберите прибор, рис. D. Включите вилку прибора в розетку.
2. Нажмите на кнопку включения, Рис. С-2.
3. С помощью толкателя поместите заранее подготовленные ингредиенты в загрузочное отверстие, Рис. E. Продукты должны быть разрезаны на кусочки для модели JM4600. Для модели JM4700 можно использовать как целые, так и порезанные ингредиенты. Для помещения целых ингредиентов снимите крышку с загрузочной чаши, Рис. B-11.

### ПРИМЕЧАНИЕ:

- Следуйте рекомендациям по приготовлению для подготовки ингредиентов.
- Не переполняйте загрузочную чашу.



Во избежание перегрева мотора максимально допустимое время непрерывного использования прибора – 10 мин. Перерыв между циклами должен составлять 5 мин.



Не используйте ложки или другие посторонние предметы для того, чтобы извлечь жмых из отверстия для выхода жмыха, так как это может привести к поломке прибора.



Не помещайте в загрузочную чашу ингредиенты, температура которых выше 80°C. Дайте им остыть.



Для проталкивания ингредиентов в загрузочное отверстие используйте только толкатель, входящий в комплектацию прибора. Категорически запрещается проталкивать продукты руками или посторонними предметами, так как это может привести к травме.

4. Если плотная масса ингредиентов застревает в механизме соковыжималки и препятствует движению сока, переведите кнопку в положение «Стоп» до полной остановки двигателя, затем переведите кнопку в положение «Обратный ход». Шнек начнет вращаться в обратную сторону. Через несколько секунд снова переведите кнопку в положение «Стоп» и после остановки двигателя нажмите «Включение». При необходимости повторите данную операцию.
5. По окончании отжима закройте крышечку у носика, чтобы остатки сока не капали на стол. Выключите прибор и отключите его от сети электропитания.

### ПРИМЕЧАНИЕ:

Свежевыжатые соки рекомендуется употребить сразу после приготовления, так как через некоторое время они начинают расслаиваться и теряют полезные свойства.


### РЕКОМЕНДАЦИИ ПО ПРИГОТОВЛЕНИЮ

1. Не помещайте в прибор сушеные или жесткие продукты, такие как цельное зерно, плоды с твердыми семенами, плотной кожурой или лед во избежание повреждения деталей соковыжималки. Замороженные продукты необходимо разморозить.
2. Бобы или зерно можно использовать, если предварительно замочить на ночь в воде и отварить.
3. Не отжимайте продукты без содержания жидкости (Кокос, сахарный тростник, цельные зерна, и т.д.).

4. Не используйте ингредиенты, содержащие чрезмерное количество растительного масла или животного жира. Не используйте соковыжималку для отжима растительного масла из ингредиентов. Если растительный или животный жир попадает на нажимной винт, это может снизить производительность и повредить детали соковыжималки.
5. Не загружайте в соковыжималку извлеченный жмых. Это может привести к поломке.
6. После приготовления сока из ингредиентов с мелкими семенами, необходимо очистить все детали от косточек.
7. Количество сока напрямую зависит от свежести и сочности продуктов. Чем свежее овощи или фрукты, тем больше сока получится.

Особенности продуктов	Продукты	Рекомендации
С твердыми семечками	Абрикосы, персики, манго, нектарины, сливы и т.д.	Продукты с косточками или твердыми семенами должны быть предварительно очищены от косточек или семян.
С жесткой или несъедобной кожурой	Манго, апельсины, ананасы, арбузы, дыни, и т.д.	Предварительно очистите кожуру и удалите косточки.
Мягкие фрукты и овощи	Апельсины, томаты и т.д.	При необходимости очистите фрукты/овощи от кожуры и крупных косточек, удалите плодоножку. Порежьте на кусочки.
Твердые фрукты и овощи	Морковь, картофель, свекла и т.д.	Твердые фрукты/овощи могут дать дополнительную нагрузку на двигатель и привести к его перегреву и остановке. Соблюдайте перерывы между циклами работы. Порежьте твердые ингредиенты небольшими кубиками или дольками. Вы можете предварительно замочить продукты в холодной воде, если они не свежие.
Ингредиенты с мелкими семечками	Малина, яблоки, груши, виноград и т.д.)	Продукты с мелкими косточками/семенами необходимо медленно загружать в соковыжималку небольшими порциями для предотвращения засорения фильтра. Перед отжимом у винограда удалите веточки, а у граната кожуру.
Волокнистые или жесткие листовые ингредиенты	Сельдерей, капуста, ананас	Продукты порежьте соломкой. При необходимости стебли отделите от листьев. Загружайте листовые ингредиенты небольшими порциями. Чередуйте подачу листьев и кусочков стебля. Для лучшего результата рекомендуется периодически разбирать и мыть соковыжималку. Если листья намотались на нажимной винт, откройте крышку и удалите волокна, затем продолжайте работу. Такие продукты, как ананас, предварительно необходимо очистить от кожуры и вырезать сердцевину, а затем мякоть ананаса порезать на небольшие кусочки.

### ЧИСТКА И УХОД, Рис. F

-  Очищайте все детали прибора сразу после его использования.



Для более легкой очистки прибора залейте воду (не более объема чаши с носиками) в загрузочное отверстие и включите соковыжималку на 30 сек.


- Выключите прибор, дождитесь остановки двигателя и отключите от сети.
- Извлеките толкатель, снимите загрузочную чашу с

носиками, повернув ее против часовой стрелки. Извлеките весь оставшийся жмых из чаши. Снимите ее с блока электродвигателя. Аккуратно достаньте шнек и фильтр. Отсоедините силиконовое кольцо от фильтра.

- Промойте все элементы конструкции, кроме моторного блока, в теплой мыльной воде, используя щетку для очистки.



Элементы конструкции нельзя мыть в посудомоечной машине или сушить в автоматической сушилке для посуды, так как это разрушает пластик с течением времени и может привести к их деформации и вызвать поломку соковыжималки.

- Блок электродвигателя протрите влажной и мягкой тканью.
-  Никогда не погружайте моторный блок в воду из-за опасности поражения током.
- После очистки тщательно высушите все элементы конструкции прибора

## ВОЗМОЖНЫЕ НЕПОЛАДКИ И СПОСОБЫ ИХ УСТРАНЕНИЯ

Возможная проблема	Способы решения
Прибор не работает	<ul style="list-style-type: none"> <li>• Проверьте, подключен ли провод к сети.</li> <li>• Проверьте правильность сборки, разберите и соберите прибор согласно инструкции.</li> <li>• Если неисправность не удалось устранить, обратитесь в уполномоченный сервисный центр OURSSON.</li> </ul>
Мало сока	<ul style="list-style-type: none"> <li>• Различные ингредиенты имеют разное содержание влаги.</li> <li>• Если используются ингредиенты с мелкими косточками, то через несколько загрузок их наличие может уменьшить количество сока. Для лучшего результата между приготовлениями разбирайте устройство и очищайте его от семечек.</li> </ul>
Много мякоти и жмыха в соке	<ul style="list-style-type: none"> <li>• При постоянном отжиме сока, а также в зависимости от ингредиентов сок может содержать много мякоти и жмыха.</li> <li>• Для уменьшения мякоти и жмыха в соке чаще разбирайте чашу для сока и извлекайте жмых.</li> <li>• Если фильтр или винт повреждены – это может влиять на производительность и качество сока. Рекомендуется их заменить. Срок службы каждой детали зависит от продолжительности и метода использования прибора, а также от ингредиентов для отжима.</li> <li>• Если слишком много ингредиентов подается в соковыжималку одновременно, это может привести к частым остановкам, а также к получению сока с большим количеством мякоти и жмыха. Подавайте ингредиенты медленно и небольшими порциями.</li> </ul>
Посторонние звуки при работе прибора	<ul style="list-style-type: none"> <li>• Убедитесь, что все части соковыжималки собраны правильно.</li> <li>• Не включайте соковыжималку без ингредиентов или хотя бы жидкости в ней. Работа устой соковыжималки может вывести из строя нажимной винт.</li> <li>• В зависимости от типа или размера ингредиентов может возникать различный шум при работе прибора.</li> <li>• Шум может возникнуть, если соковыжималка работает на неровной или наклонной поверхности. Поместите ее на ровную устойчивую горизонтальную поверхность.</li> </ul>
Жмых очень влажный.	<ul style="list-style-type: none"> <li>• В начале работы соковыжималки жмых может быть влажным.</li> <li>• Извлеченный жмых может быть влажным, если используются несвежие ингредиенты.</li> </ul>
Во время приготовления чаша вибрирует.	<p>Допускается небольшая вибрация чаши для сока при работе прибора, это не является неисправностью.</p>
Прибор перестал работать	<ul style="list-style-type: none"> <li>• Возможно, что чаша прибора переполнена и мотор перегружен.</li> <li>• Возможно, прибор заблокирован из-за попадания в чашу посторонних предметов (например, твердые косточки от фруктов). Разберите прибор, удалите посторонние предметы и соберите соковыжималку заново.</li> <li>• Выключите прибор и на 2-3 секунды переведите его в режим REV, затем снова включите прибор.</li> </ul>

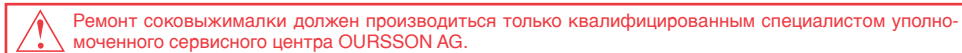
Технические характеристики		
Модель	JM4600	JM4700
Потребляемая мощность, Вт	max 150	max 150
Параметры электропитания	220-240~В; 50-60 Гц	220-240~В; 50-60 Гц
Класс защиты от поражения электрическим током	I	I
Температура хранения и транспортировки	от -25 °С до +35 °С	от -25 °С до +35 °С
Температура эксплуатации	от +5 °С до +35 °С	от +5 °С до +35 °С
Требования к влажности воздуха при хранении, транспортировке и эксплуатации	15-75% без образования конденсата	15-75% без образования конденсата
Размеры прибора, мм	101x125x359	150x110x372
Вес прибора, кг	1,6	2,2

\*Продукция должна храниться в сухих, проветриваемых складских помещениях при температуре не ниже - 25°С.



## СЕРТИФИКАЦИЯ ПРОДУКЦИИ

Информацию о сертификате соответствия смотрите на сайте <http://www.oursson.com/rus/ru/about/partners/certificates/#tab0> или спрашивайте копию у продавца.



## СЕРВИСНОЕ ОБСЛУЖИВАНИЕ

Компания OURSSON AG выражает вам огромную признательность за выбор нашей продукции. Мы сделали все возможное, чтобы данное изделие удовлетворяло вашим запросам, а качество соответствовало лучшим мировым образцам. В случае, если ваше изделие марки OURSSON будет нуждаться в техническом обслуживании, просим вас обращаться в один из Уполномоченных Сервисных Центров (далее – УЦЦ). С полным списком УЦЦ и их точными адресами вы можете ознакомиться на сайте [www.oursson.ru](http://www.oursson.ru), а также позвонив по номеру телефона бесплатной горячей линии OURSSON AG.

В случае возникновения вопросов или проблем, связанных с продукцией OURSSON AG, просим вас обращаться в письменном виде в организацию, уполномоченную на принятие и удовлетворение требований потребителей в отношении товара ненадлежащего качества, либо по электронной почте [info@oursson.ru](mailto:info@oursson.ru).

### Условия Гарантийных обязательств OURSSON AG:

- Гарантийные обязательства OURSSON AG, предоставляемые УЦЦ OURSSON AG, распространяются только на модели, предназначенные OURSSON AG для производства или поставок и реализации на территории страны, где предоставляется гарантийное обслуживание, приобретенные в этой стране, прошедшие сертификацию на соответствие стандартам этой страны, а также маркированные официальными знаками соответствия.
- Гарантийные обязательства OURSSON AG действуют в рамках законодательства о защите прав потребителей и регулируются законодательством страны, на территории которой они предоставлены, и только при условии использования изделия исключительно для личных, семейных или домашних нужд. Гарантийные обязательства OURSSON AG не распространяются на случаи использования товаров в целях осуществления предпринимательской деятельности либо в связи с приобретением товаров в целях удовлетворения потребностей предприятий, учреждений, организаций.
- OURSSON AG устанавливает на свои изделия следующие сроки службы и гарантийные сроки:

Название продукта	Срок службы, месяцев с даты покупки	Гарантийный срок, месяцев со дня покупки
Микроволновые печи, хлебопечи, индукционные плиты	60	12
Мультиварки, кухонные процессоры, кухонные машины, электрические чайники, электрические грили, блендеры, миксеры, мясорубки, тостеры, термоматы, ростеры, кофеварки, пароварки	36	12

Название продукта	Срок службы, месяцев с даты покупки	Гарантийный срок, месяцев со дня покупки
Соковыжималки, измельчители, дегидраторы, йогуртницы, ферментаторы, минидуховки, морозильники, холодильники, автоматические кофемашины	36	12
Кухонные весы, сифоны	24	12

- Гарантийные обязательства OURSSON AG не распространяются на перечисленные ниже принадлежности изделия, если их замена предусмотрена конструкцией и не связана с разборкой изделия:
  - Элементы питания.
  - Чехлы, ремни, шнуры для переноски, монтажные приспособления, инструмент, документацию, прилагаемую к изделию.
- Гарантия не распространяется на недостатки, возникшие в изделии вследствие нарушения потребителем правил использования, хранения или транспортировки товара, действия третьих лиц или непреодолимой силы, включая, но не ограничиваясь следующими случаями:
  - Если недостаток товара явился следствием небрежного обращения, применения товара не по назначению, нарушения условий и правил эксплуатации, изложенных в инструкции по эксплуатации, в том числе вследствие воздействия высоких или низких температур, высокой влажности или запыленности, следов вскрытия корпуса прибора и/или самостоятельного ремонта, несоответствия Государственным стандартам параметров питающих сетей, попадания внутрь корпуса жидкости, насекомых и других посторонних предметов, веществ, а также длительного использования изделия в предельных режимах его работы.
  - Повреждения и дефекты, вызванные качеством воды и отложением накипи (очистка от накипи и чистка не входит в гарантийное обслуживание и должна РЕГУЛЯРНО производиться Вами самостоятельно).
  - Если недостаток товара явился следствием несанкционированного тестирования товара или попыток внесения любых изменений в его конструкцию или его программное обеспечение, в том числе ремонта или технического обслуживания в неуполномоченной OURSSON AG ремонтной организации.
  - Если недостаток товара явился следствием использования нестандартных (нетиповых) и (или) некачественных принадлежностей, аксессуаров, запчастей, элементов питания.
  - Если недостаток товара связан с его применением совместно с дополнительным оборудованием

- (аксессуарами), отличным от дополнительного оборудования, рекомендованного OURSSON AG к применению с данным товаром. OURSSON AG не несет ответственность за качество дополнительного оборудования (аксессуаров), произведенного третьими лицами, за качество работы своих изделий совместно с таким оборудованием, а также за качество работы дополнительного оборудования производства компании OURSSON AG совместно с изделиями других производителей.
- Недостатки товара, обнаруженные в период срока службы, устраняются уполномоченными на это ремонтными организациями (УСЦ). В течение гарантийного срока устранение недостатков производится бесплатно при предъявлении оригинала заполненного гарантийного талона и документов, подтверждающих факт и дату заключения договора розничной купли-продажи (товарный, кассовый чек и т. п.). В случае отсутствия указанных документов гарантийный срок исчисляется со дня изготовления товара. При этом следует учитывать:
    - Настройка и установка (сборка, подключение и т. п.) изделия, описанная в документации, прилагаемой к нему, не входит в объем гарантийных обязательств OURSSON AG и могут быть выполнены как самим пользователем, так и специалистами большинства уполномоченных сервисных центров соответствующего профиля на платной основе.
    - Работы по техническому обслуживанию изделий (чистка и смазка движущихся частей, замена расходных материалов и принадлежностей и т. п.) производятся на платной основе.
  - OURSSON AG не несет ответственности за возможный вред, прямо или косвенно нанесенный своей продукцией людям, домашним животным, имуществу в случае, если это произошло в результате несоблюдения правил и условий эксплуатации, хранения, транспортировки или установки изделия; умышленных или неосторожных действий потребителя или третьих лиц.
  - Ни при каких обстоятельствах OURSSON AG не несет ответственности за какой-либо особый, случайный, прямой или косвенный ущерб или убытки, включая, но не ограничиваясь перечисленным, упущенную выгоду, убытки, вызванные перерывами в коммерческой, производственной или иной деятельности, возникающие в связи с использованием или невозможностью использования изделия.
  - Вследствие постоянного совершенствования продукции элементы дизайна и некоторые технические характеристики продукта могут быть изменены без предварительного уведомления со стороны производителя.

#### Использование изделия по истечении срока службы

- Срок службы, установленный OURSSON AG для данного изделия, действует только при условии использования изделия исключительно для личных, семейных или домашних нужд, а также соблюдении потребителем правил эксплуатации, хранения и транспортировки изделия. При условии аккуратного обращения с изделием и соблюдения правил эксплуатации фактический срок службы может превышать

срок службы, установленный OURSSON AG.

- По окончании срока службы изделия вам необходимо обратиться в Уполномоченный сервисный центр для проведения профилактического обслуживания изделия и определения его пригодности к дальнейшей эксплуатации. Работы по профилактическому обслуживанию изделия и его диагностике выполняются сервисными центрами на платной основе.
- OURSSON AG не рекомендует продолжать эксплуатацию изделия по окончании срока службы без проведения его профилактического обслуживания в Уполномоченном сервисном центре, т. к. в этом случае изделие может представлять опасность для жизни, здоровья или имущества потребителя.

#### Утилизация изделия

Этот бытовой электроприбор имеет обозначение согласно требованиям Директивы ЕС 2002/96/EG об отслуживших свой срок электрических и электронных приборах (waste electrical and electronic equipment – WEEE). После окончания срока службы изделия его нельзя выбрасывать вместе с обычным бытовым мусором. Вместо этого оно подлежит сдаче на утилизацию в соответствующий пункт приема электрического и электронного оборудования для последующей переработки и утилизации в соответствии с федеральным или местным законодательством. Обеспечивая правильную утилизацию данного продукта, вы помогаете сэкономить природные ресурсы и предотвращаете ущерб для окружающей среды и здоровья людей, который возможен в случае ненадлежащего обращения. Более подробную информацию о пунктах приема и утилизации данного продукта можно получить в местных муниципальных органах или на предприятии по вывозу бытового мусора.



#### Дата производства

Каждому изделию присваивается уникальный серийный номер в виде буквенно-цифрового ряда и дублируется штрих-кодом, который содержит следующую информацию: название товарной группы, дату производства, порядковый номер изделия. Серийный номер располагается на задней панели продукта, на упаковке и в гарантийном талоне.



Серийный номер располагается на задней панели продукта, на упаковке и в гарантийном талоне.

- Первые две буквы – соответствие товарной группе (соковыжималка – JM).
- Первые две цифры – год производства.
- Вторые две цифры – месяц производства.
- Последние цифры – порядковый номер изделия.



Во избежание недоразумений убедительно просим вас внимательно изучить Руководство по эксплуатации изделия и условия гарантийных обязательств, проверить правильность заполнения гарантийного талона. Гарантийный талон действителен только при наличии правильно и четко указанных: модели, серийного номера изделия, даты покупки, четких печатей фирмы-продавца, подписи покупателя. Серийный номер и модель изделия должны соответствовать указанным в гарантийном талоне. При нарушении этих условий, а также в случае, когда данные, указанные в гарантийном талоне, изменены или стерты, талон признается недействительным.

# oursson

Горячая линия OURSSON AG обеспечивает полную информационную поддержку деятельности компании в России, странах СНГ и Балтии. Профессиональные операторы быстро ответят на любой интересующий вас вопрос. Вы можете обращаться в единый центр по вопросам сервисного сопровождения, для рекомендаций специалистов по настройке и подключению, для информирования о местах продаж, с вопросами о рекламных акциях и розыгрышах, проводимых компанией, а также с любыми другими вопросами о деятельности компании на территории России, стран СНГ и Балтии.

Есть вопросы? Звоните, мы поможем!

Телефон горячей линии OURSSON AG (бесплатные звонки со стационарных телефонов):

**8 800 100 8 708**

Время работы горячей линии:

понедельник-пятница с 10:00 до 20:00 (по московскому времени); без выходных, 7 дней в неделю.

Настоящая инструкция является объектом охраны в соответствии с международным и российским законодательством об авторском праве. Любое несанкционированное использование инструкции, включая копирование, тиражирование и распространение, но не ограничиваясь этим, влечет применение к виновному лицу гражданско-правовой ответственности, а также уголовной ответственности в соответствии со статьей 146 УК РФ и административной ответственности в соответствии со статьей 7.12 КоАП РФ (ст.150.4 КоАП в старой редакции).

Контактная информация:

1. Изготовитель товара – OURSSON AG (ОПСОН АГ), Ул. Гран-Шен 5, 1003 Лозанна, Швейцария.
2. Организация, уполномоченная на принятие и удовлетворение требований потребителей в отношении товара ненадлежащего качества (уполномоченное изготовителем лицо), – ООО «ОПСОН», 125445, Москва, Ленинградское шоссе, д. 65, стр. 3.
3. Информация о сертификации продукта доступна на сайте [www.oursson.com](http://www.oursson.com).
4. Импортёр продукции OURSSON AG: РФ и/или страны ЕТС: смотрите информацию на упаковке товара.

OURSSON AG  
Сделано в КНР

[forum.oursson.ru](http://forum.oursson.ru)



Скачайте мобильное приложение с рецептами к технике Oursson



[www.oursson.com](http://www.oursson.com)