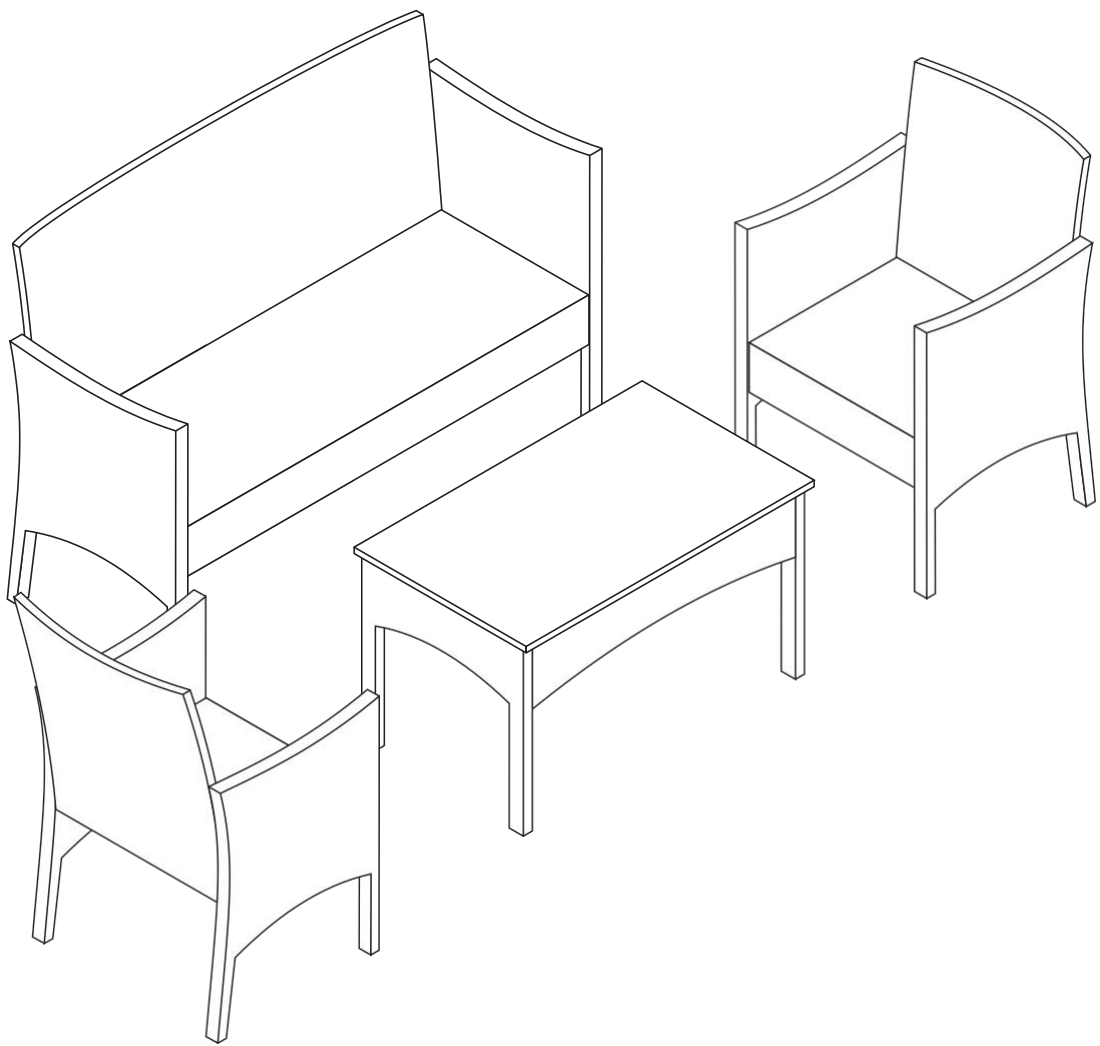
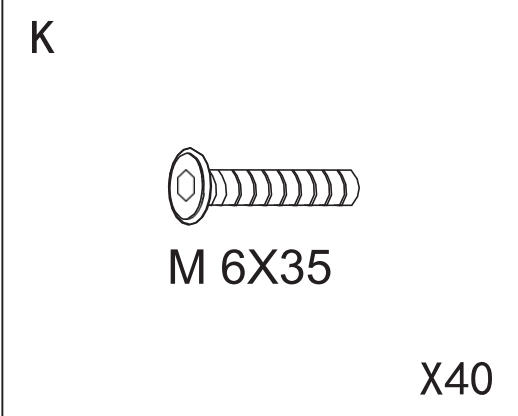
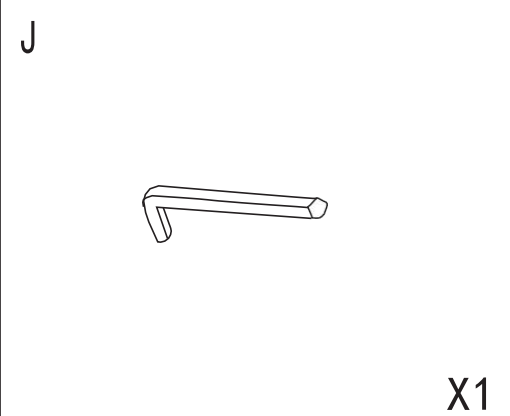
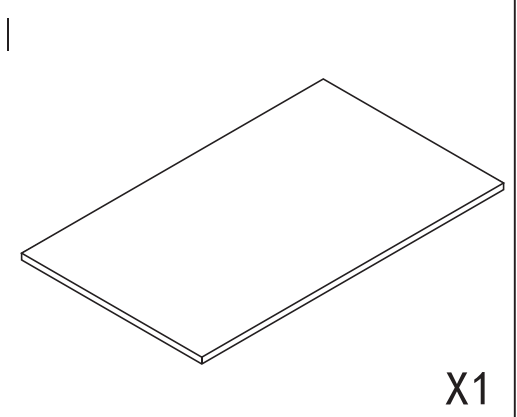
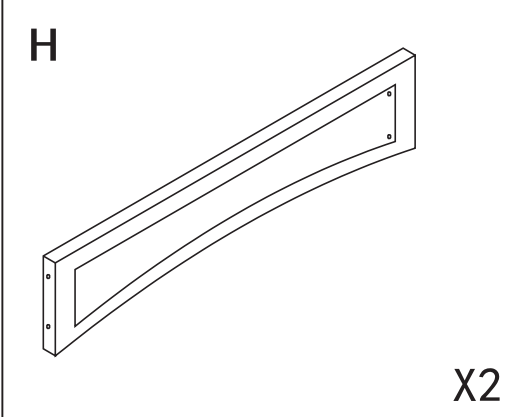
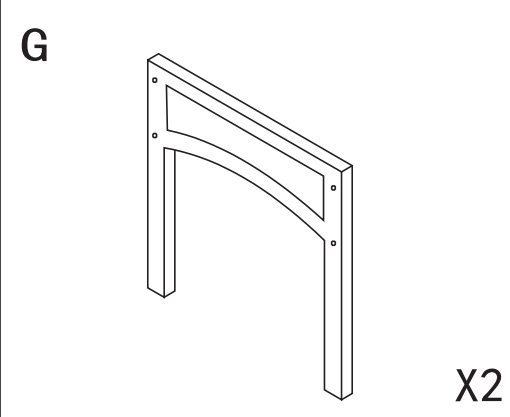
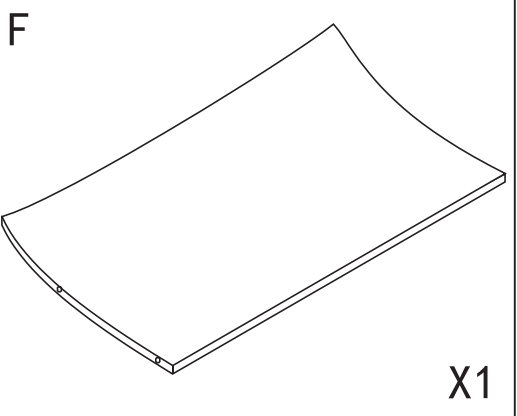
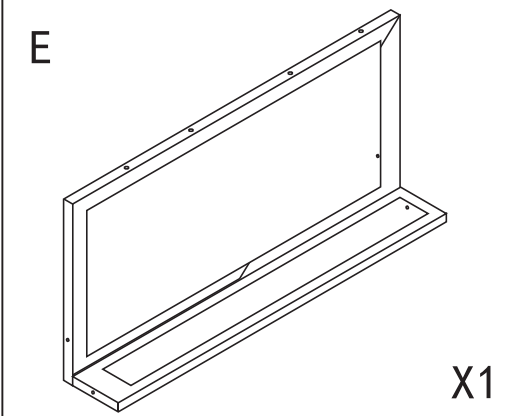
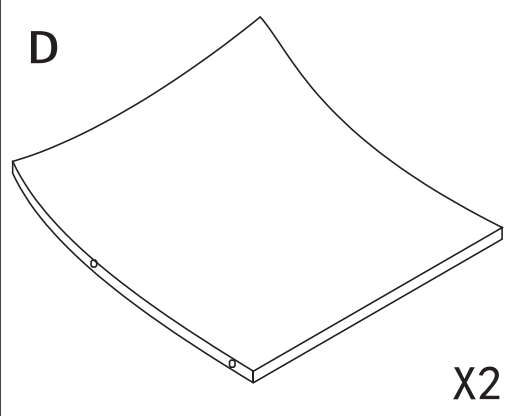
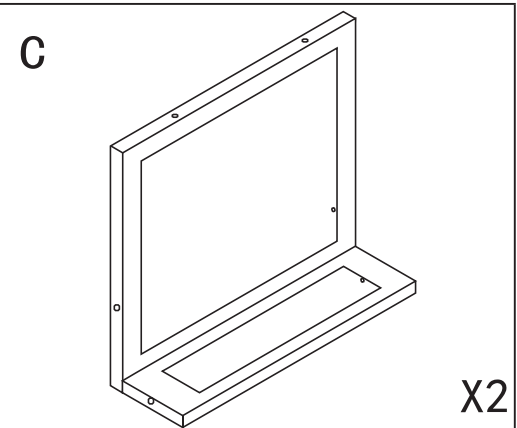
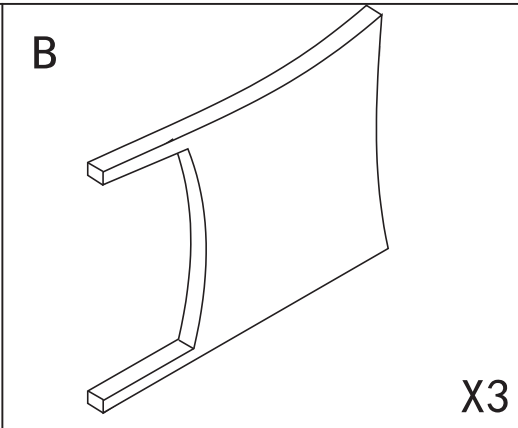
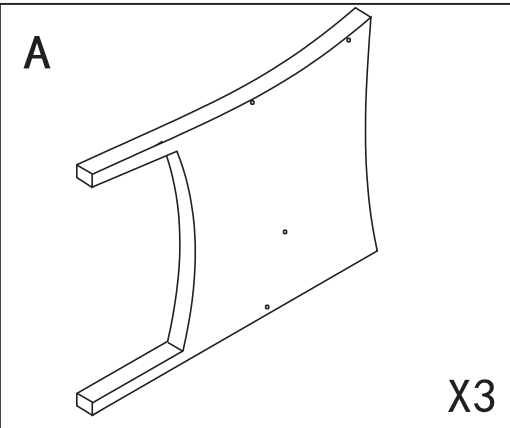


SFS004

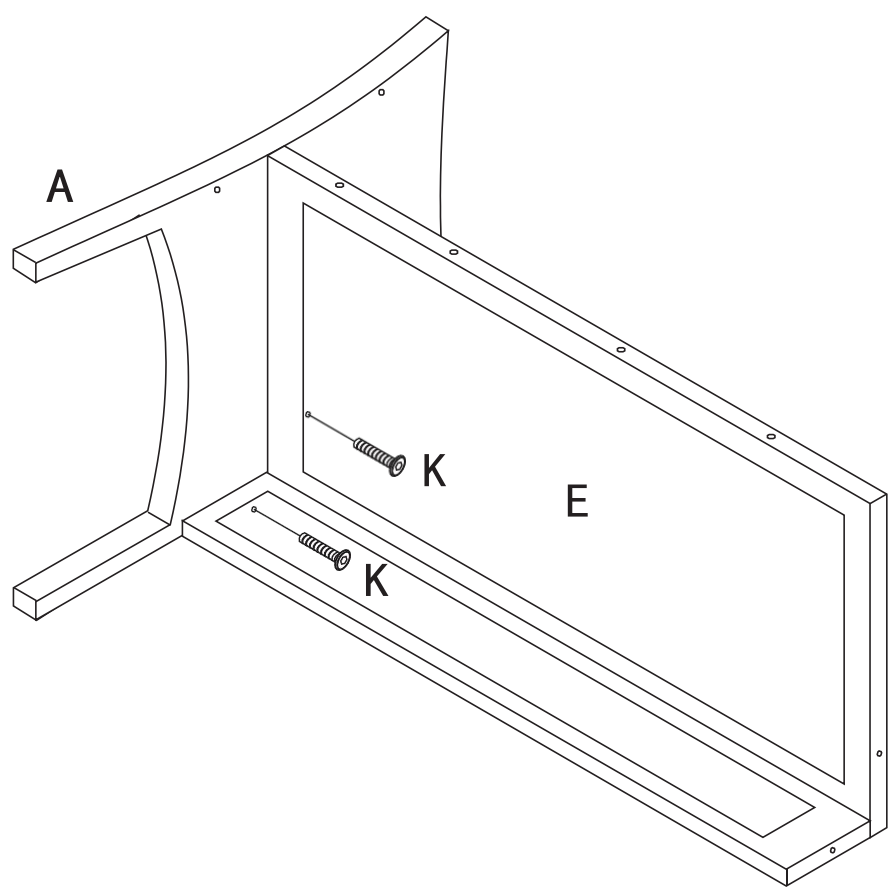


NOTE: 50% TIGHTEN BEFORE FIXING ALL BOLTS



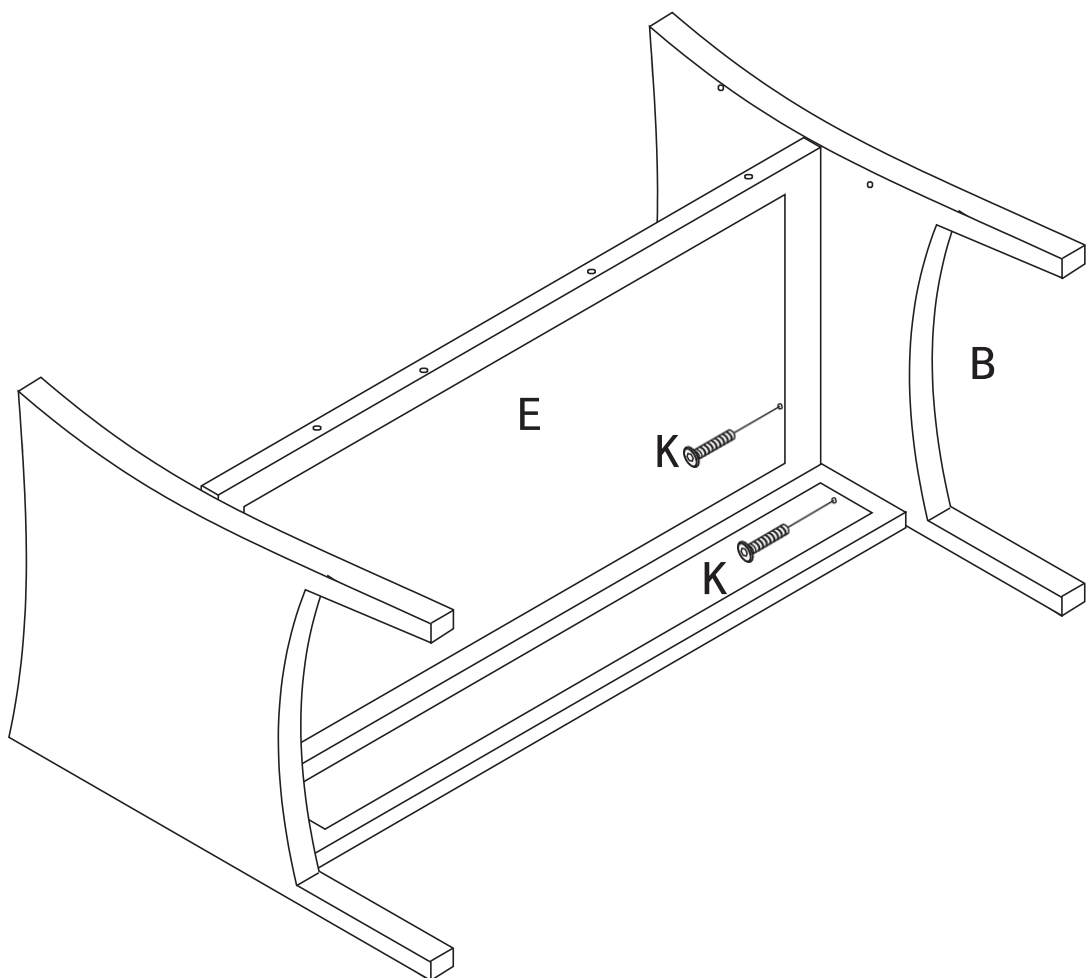
1

NOTE: 50% TIGHTEN BEFORE FIXING ALL BOLTS



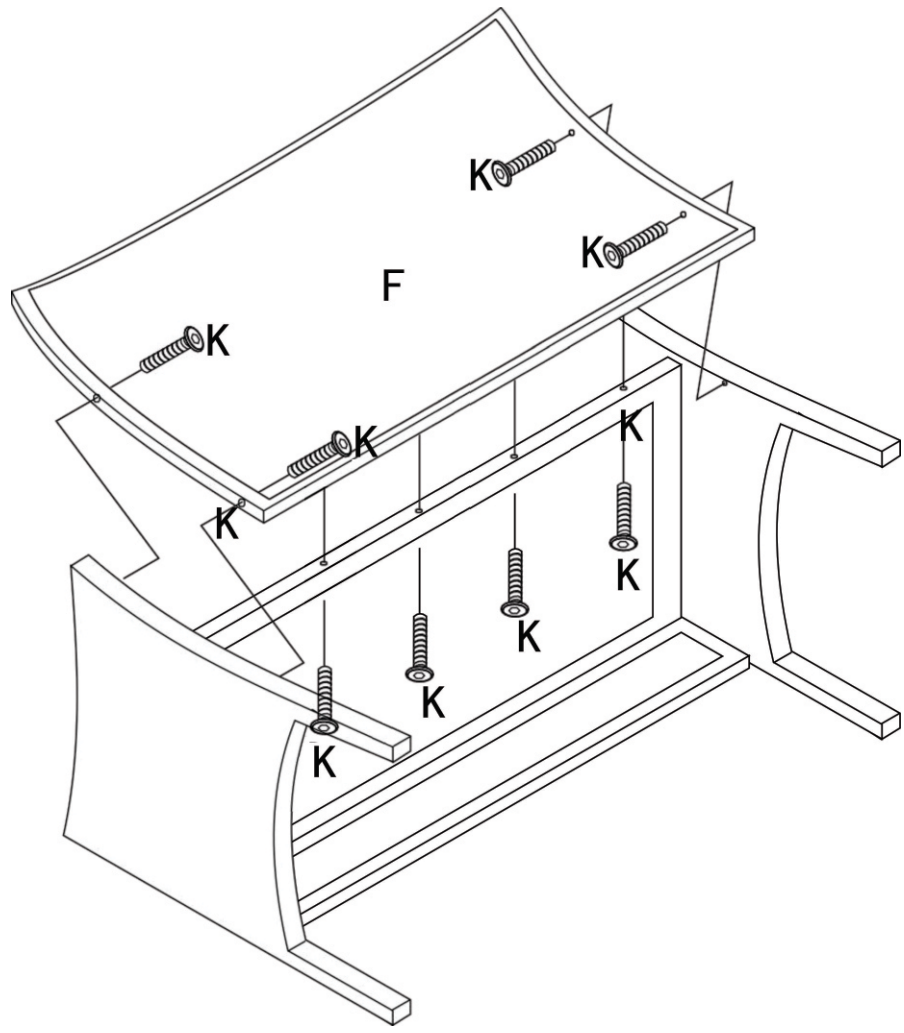
2

NOTE: 50% TIGHTEN BEFORE FIXING ALL BOLTS



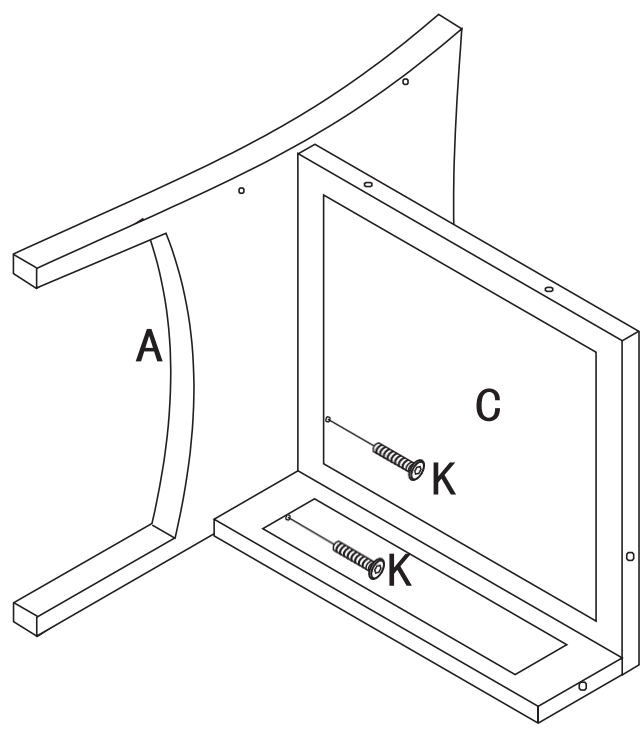
3

NOTE: 50% TIGHTEN BEFORE FIXING ALL BOLTS



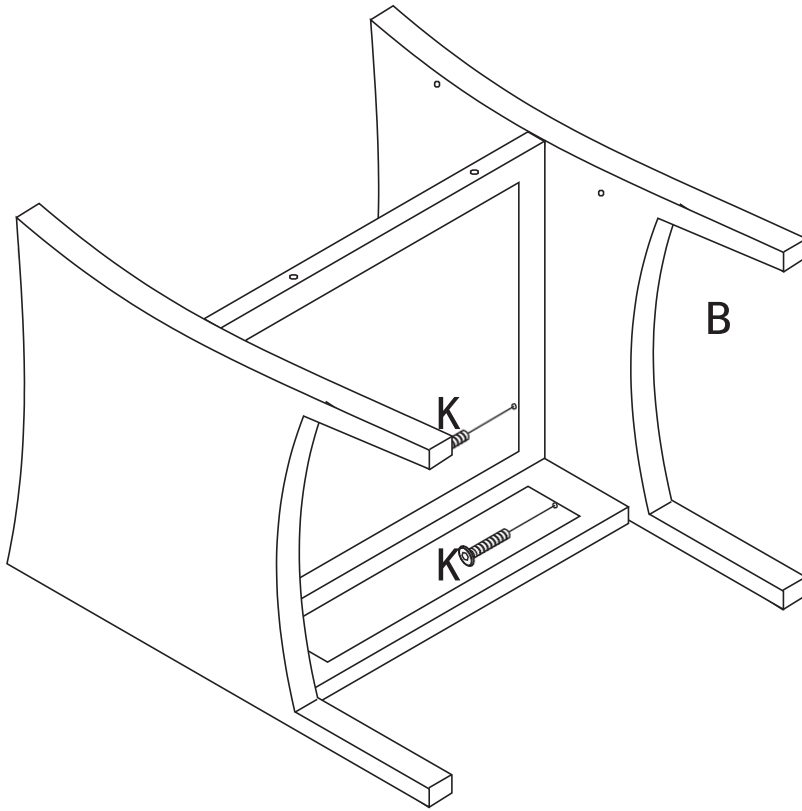
4

NOTE: 50% TIGHTEN BEFORE FIXING ALL BOLTS



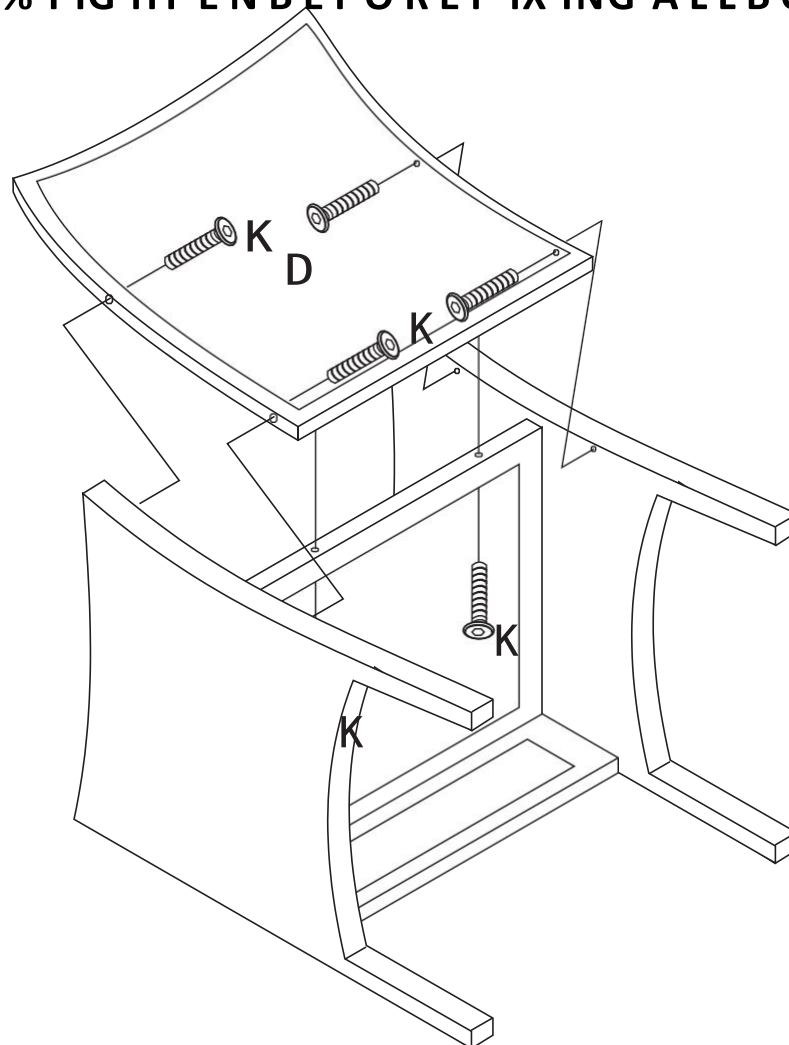
5

NOTE: 50% TIGHTEN BEFORE FIXING ALL BOLTS



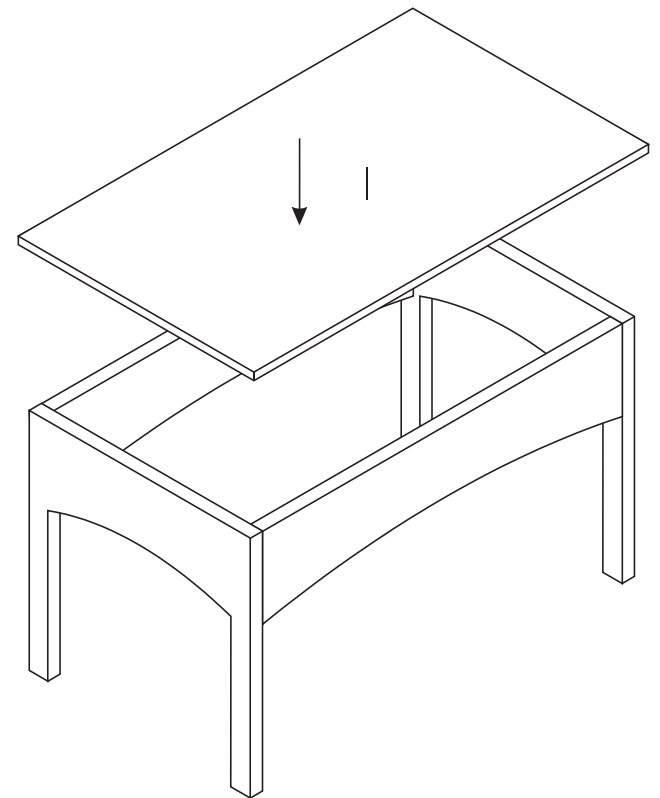
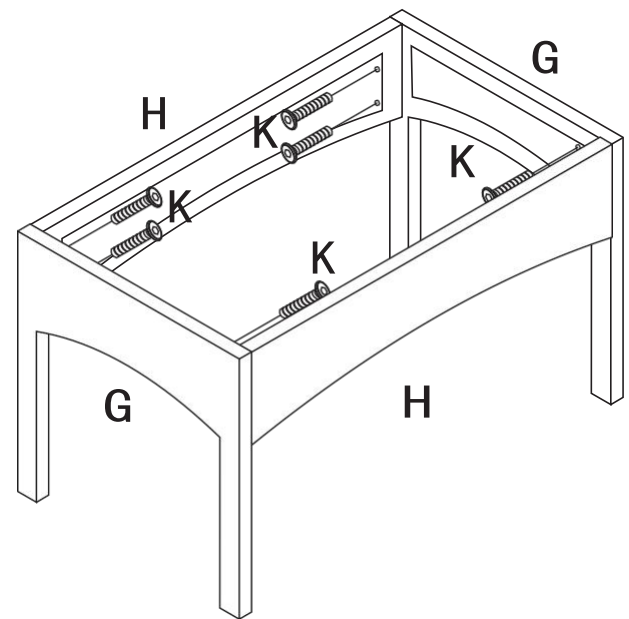
6

NOTE: 50% TIGHTEN BEFORE FIXING ALL BOLTS



7

NOTE: 50% TIGHTEN BEFORE FIXING ALL BOLTS



8

NOTE: 50% TIGHTEN BEFORE FIXING ALL BOLTS

