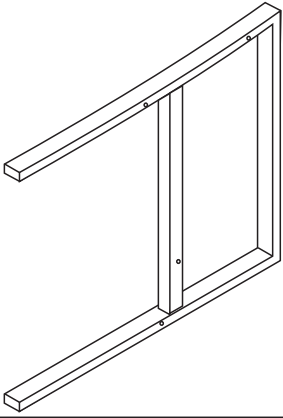


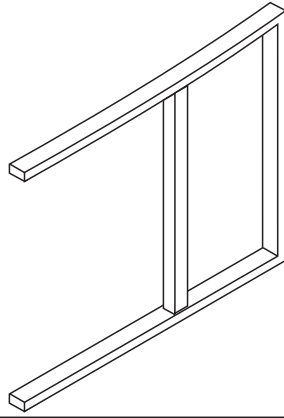
NOTE:50% TIGHTEN BEFORE FIXING ALL BOLTS

A



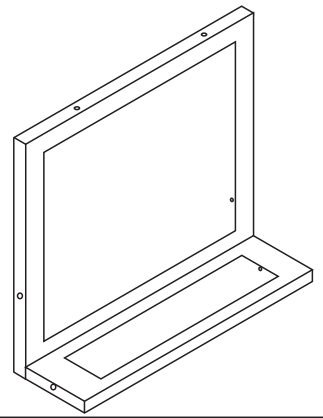
X3

B



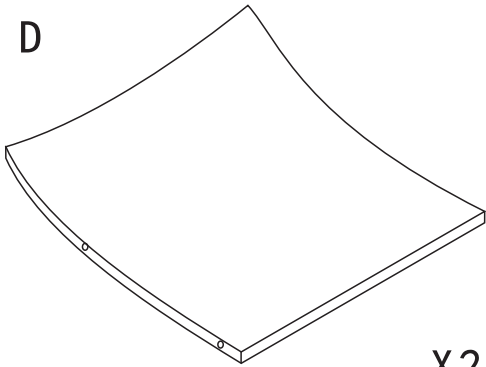
X3

C



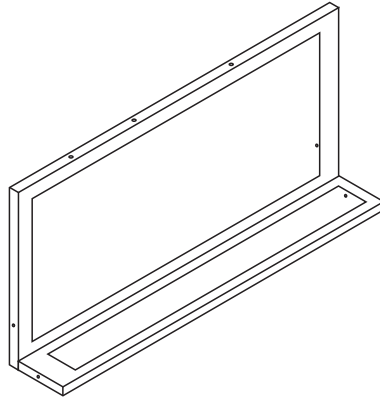
X2

D



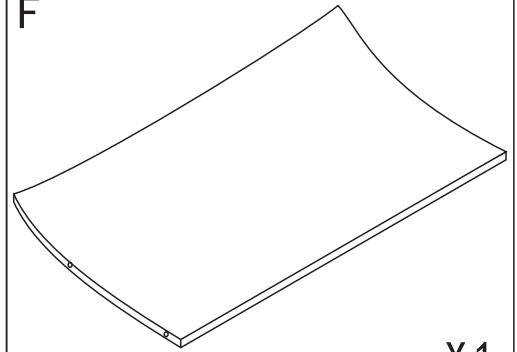
X2

E



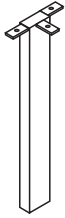
X1

F



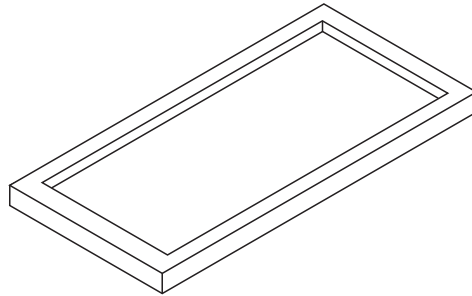
X1

G



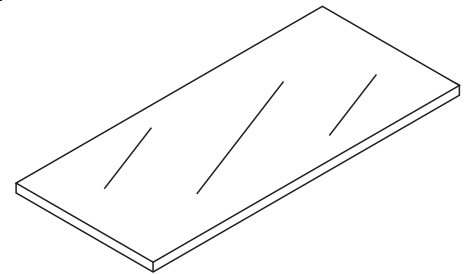
X4

H



X1

I



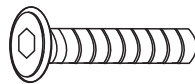
X1

J



X1

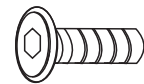
K



M 6X35

X32

L

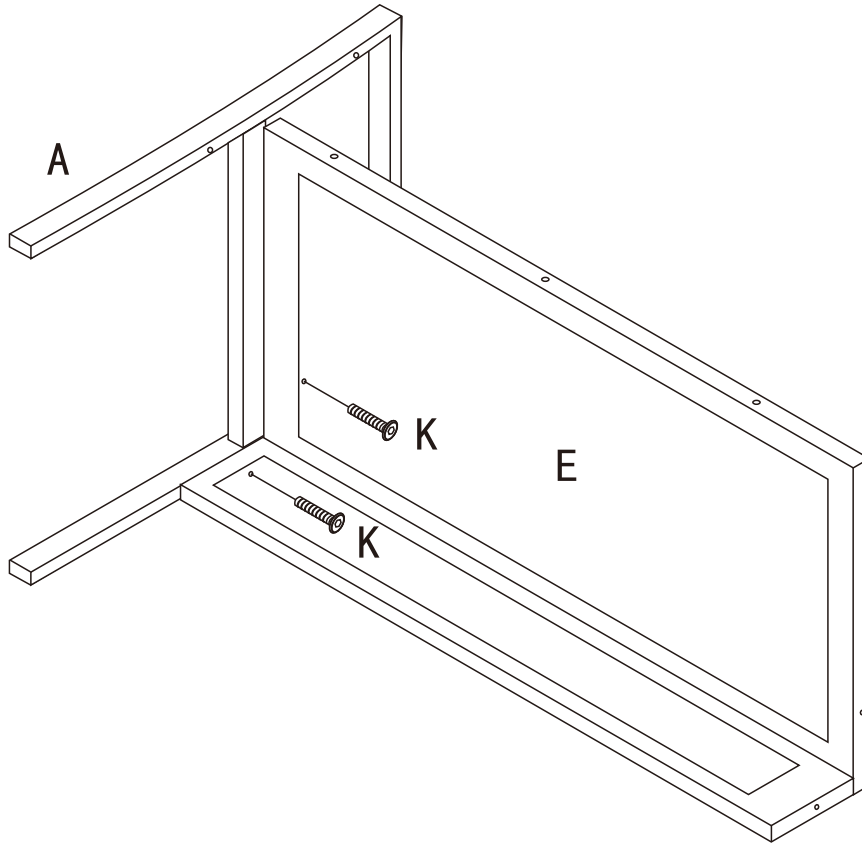


M 6X15

X12

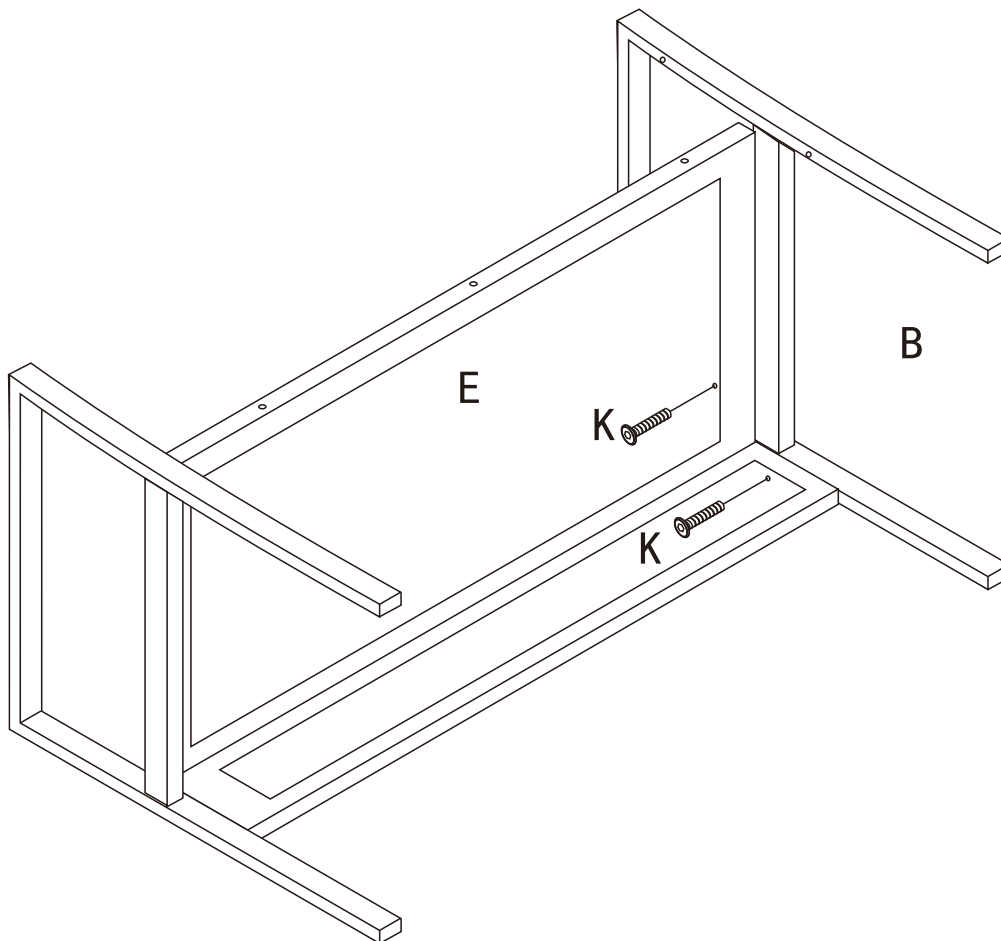
1

NOTE:50% TIGHTEN BEFORE FIXING ALL BOLTS



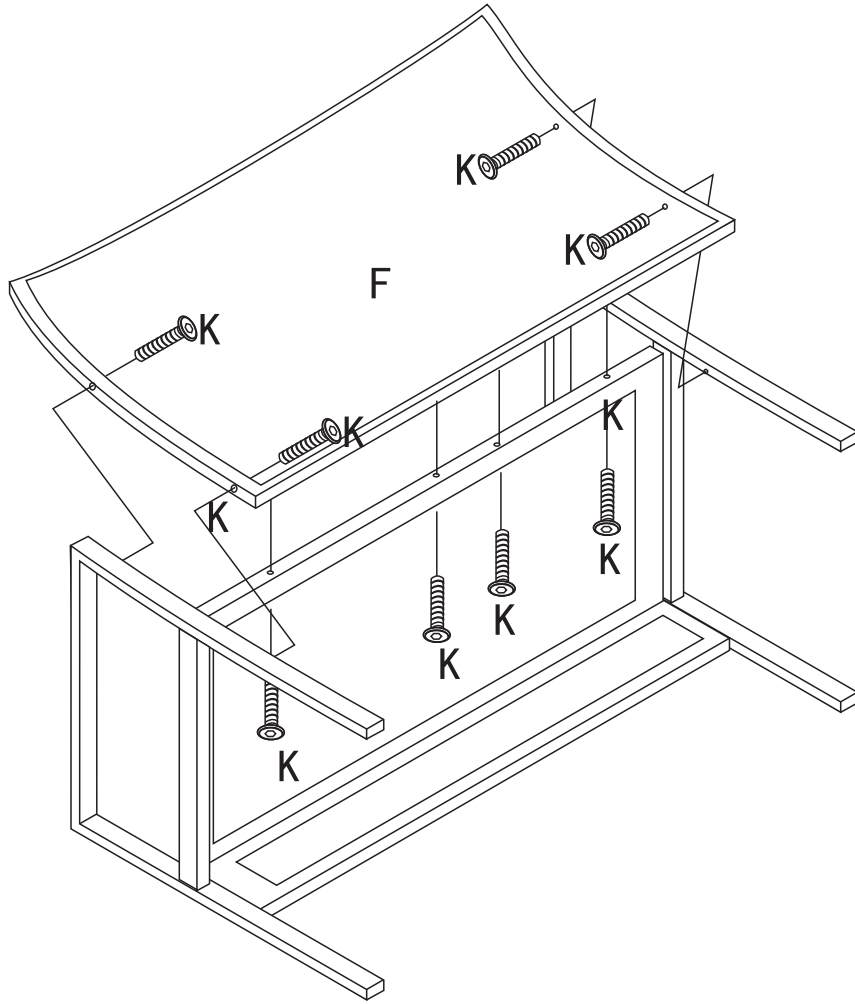
2

NOTE:50% TIGHTEN BEFORE FIXING ALL BOLTS



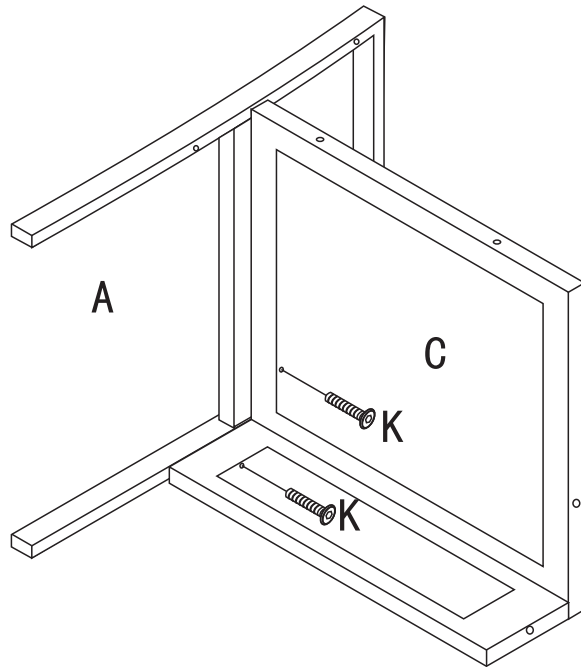
3

NOTE:50% TIGHTEN BEFORE FIXING ALL BOLTS



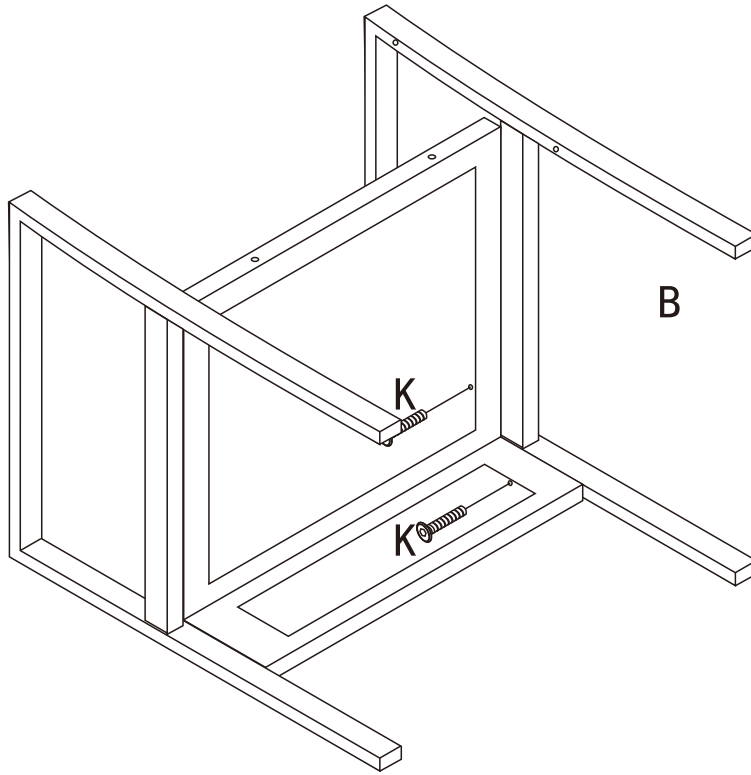
4

NOTE:50% TIGHTEN BEFORE FIXING ALL BOLTS



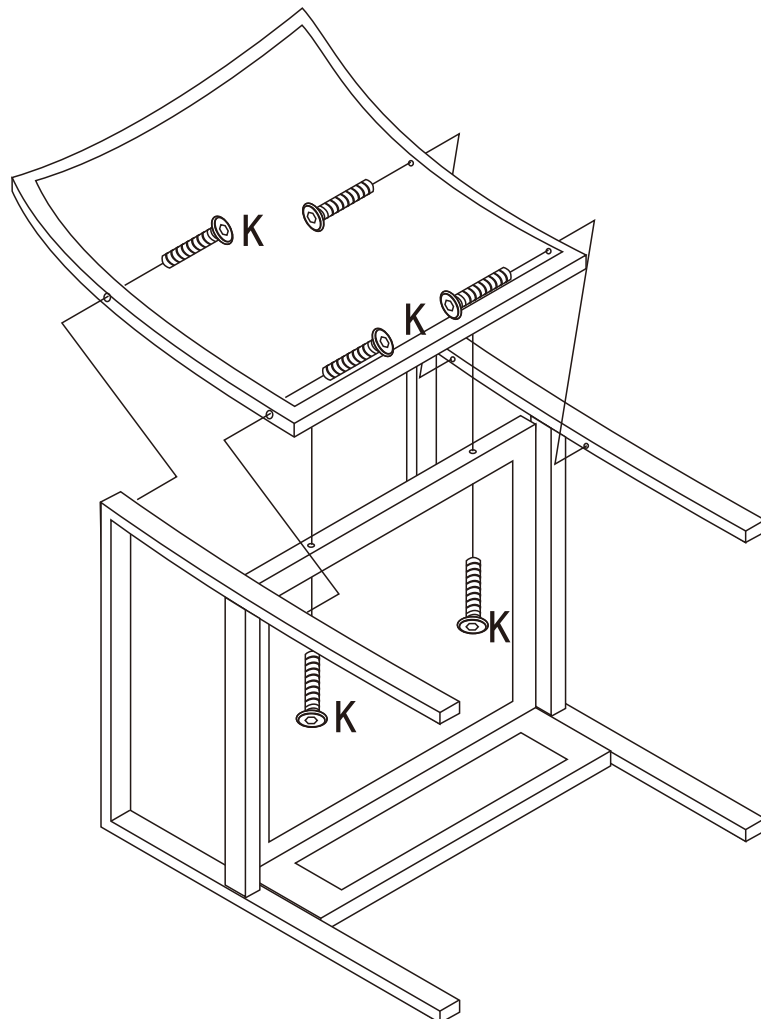
5

NOTE:50% TIGHTEN BEFORE FIXING ALL BOLTS



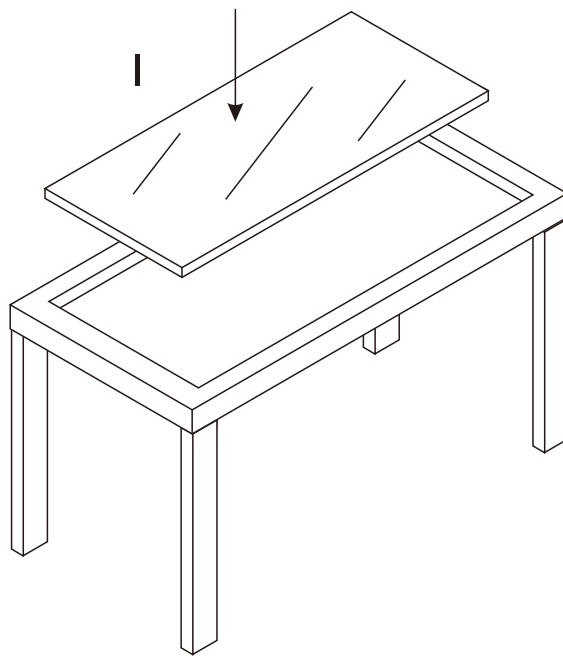
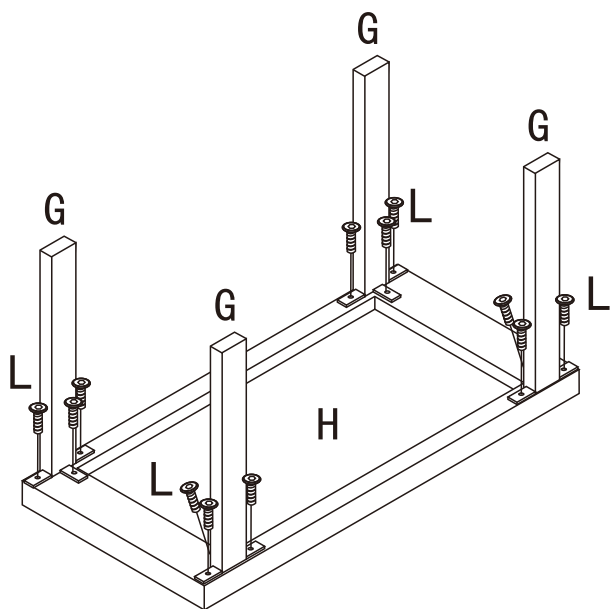
6

NOTE:50% TIGHTEN BEFORE FIXING ALL BOLTS



7

NOTE:50% TIGHTEN BEFORE FIXING ALL BOLTS



8

NOTE:50% TIGHTEN BEFORE FIXING ALL BOLTS

