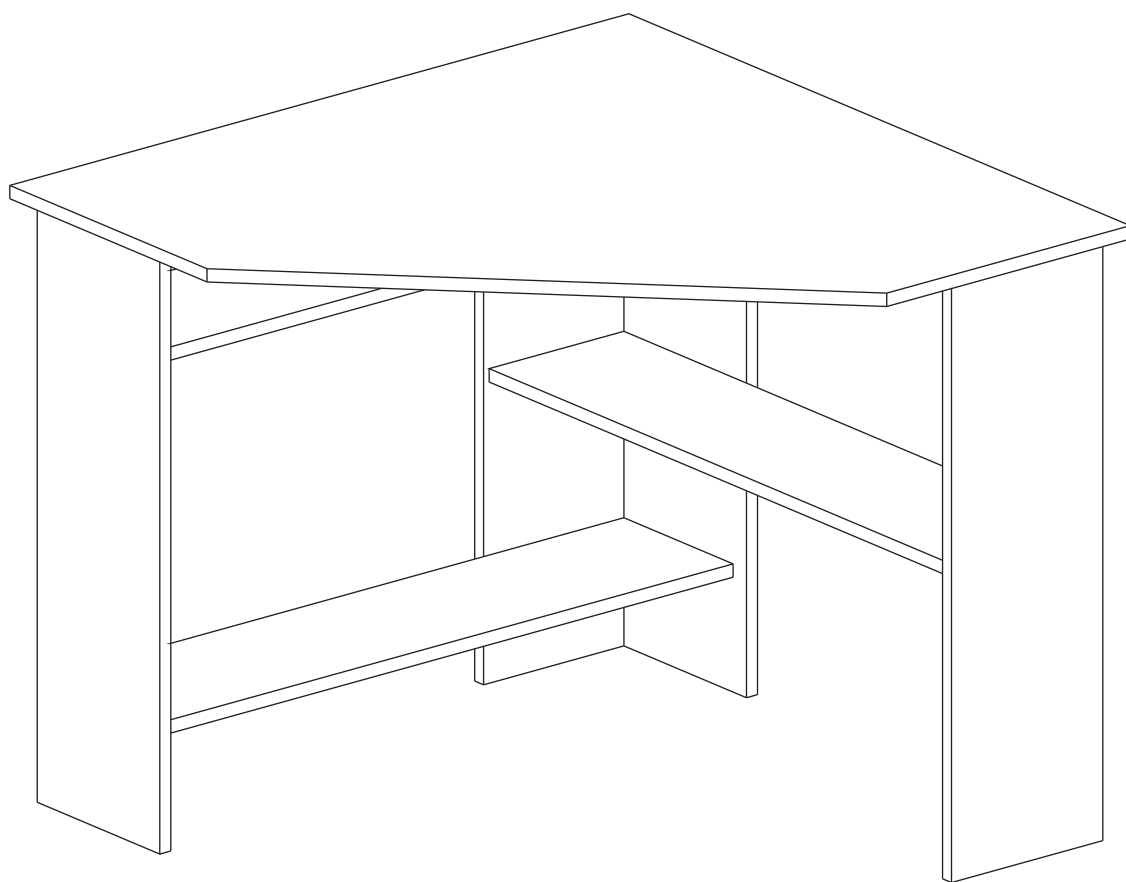
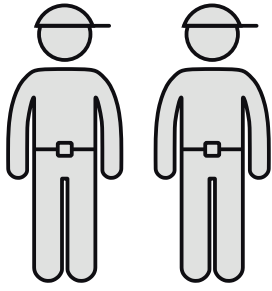
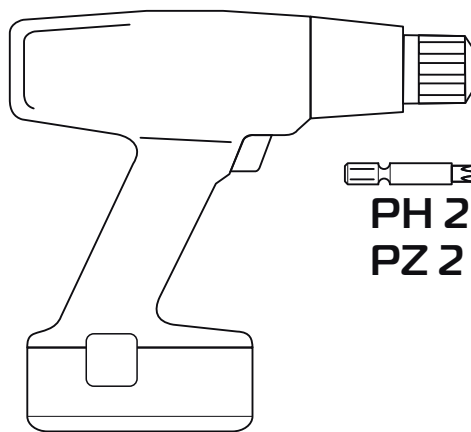
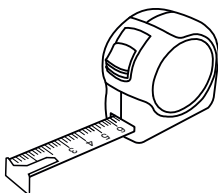
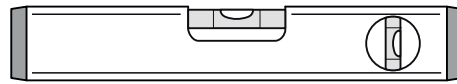
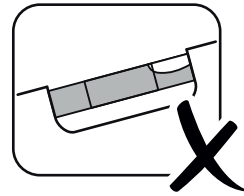
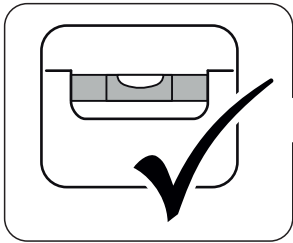
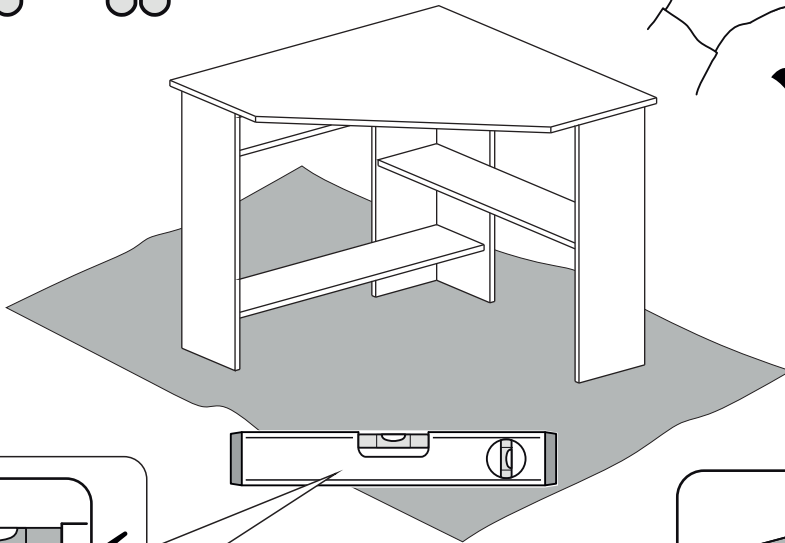
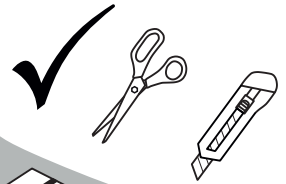


KCT-02

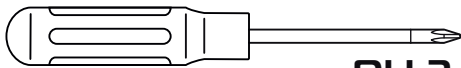




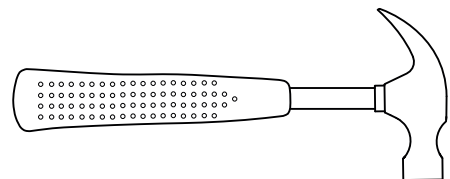
30-45 min

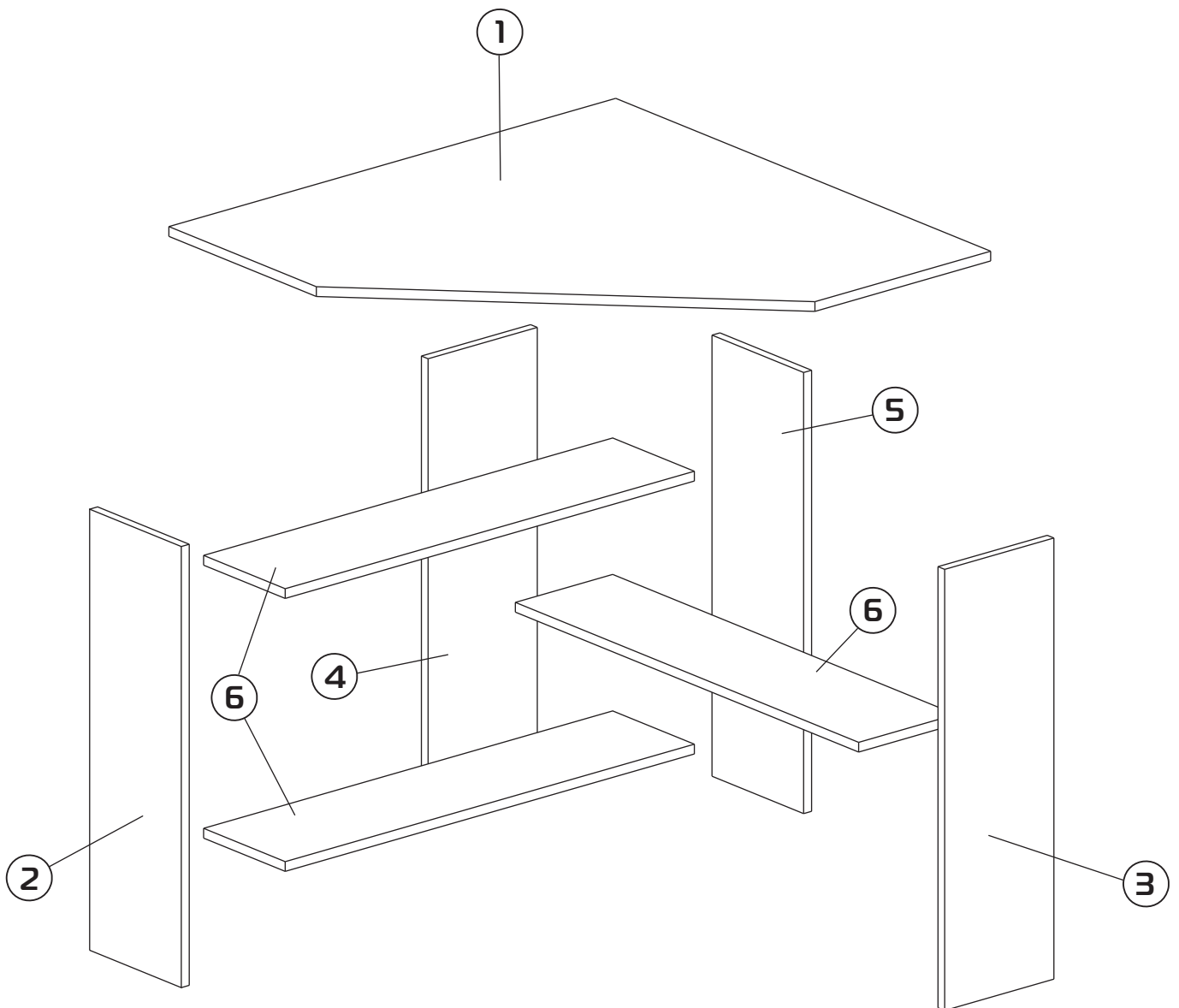


PH 2
PZ 2

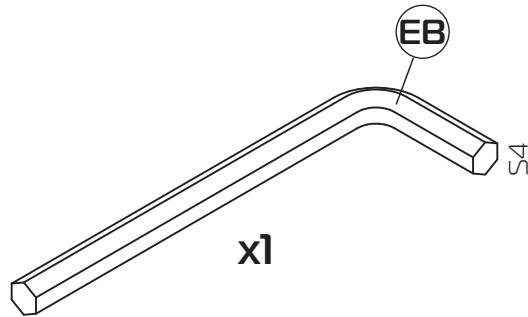
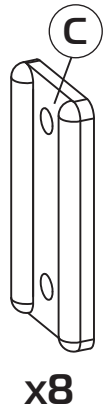
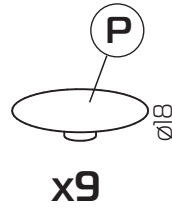
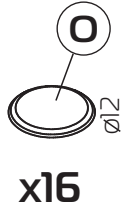
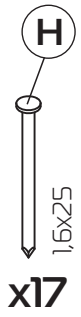
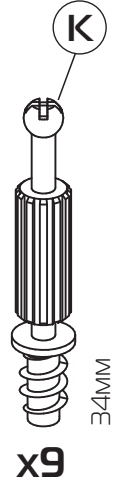
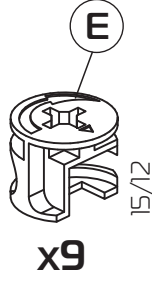
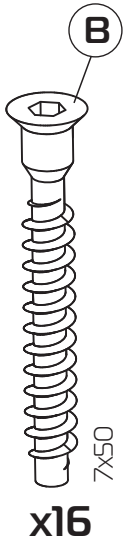


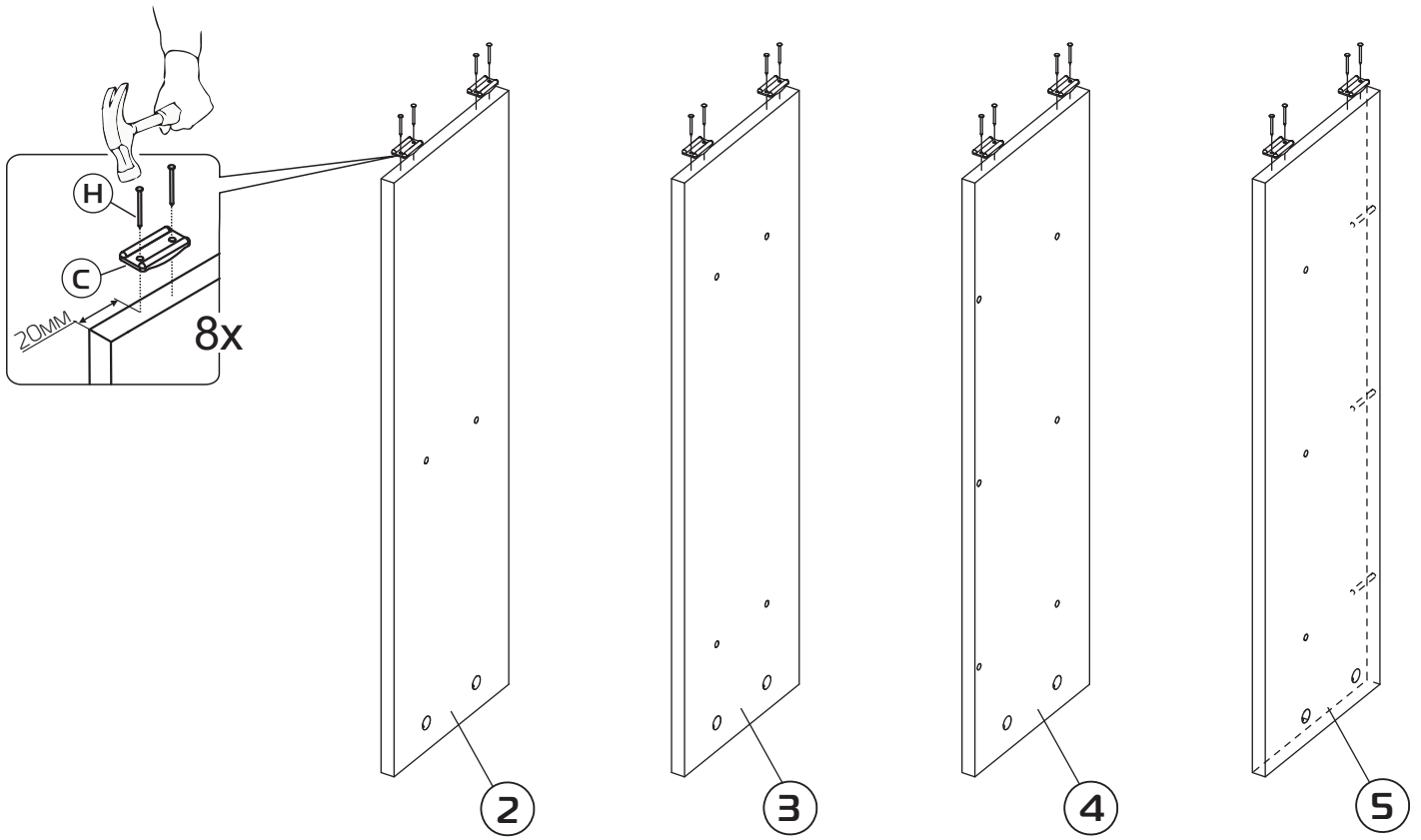
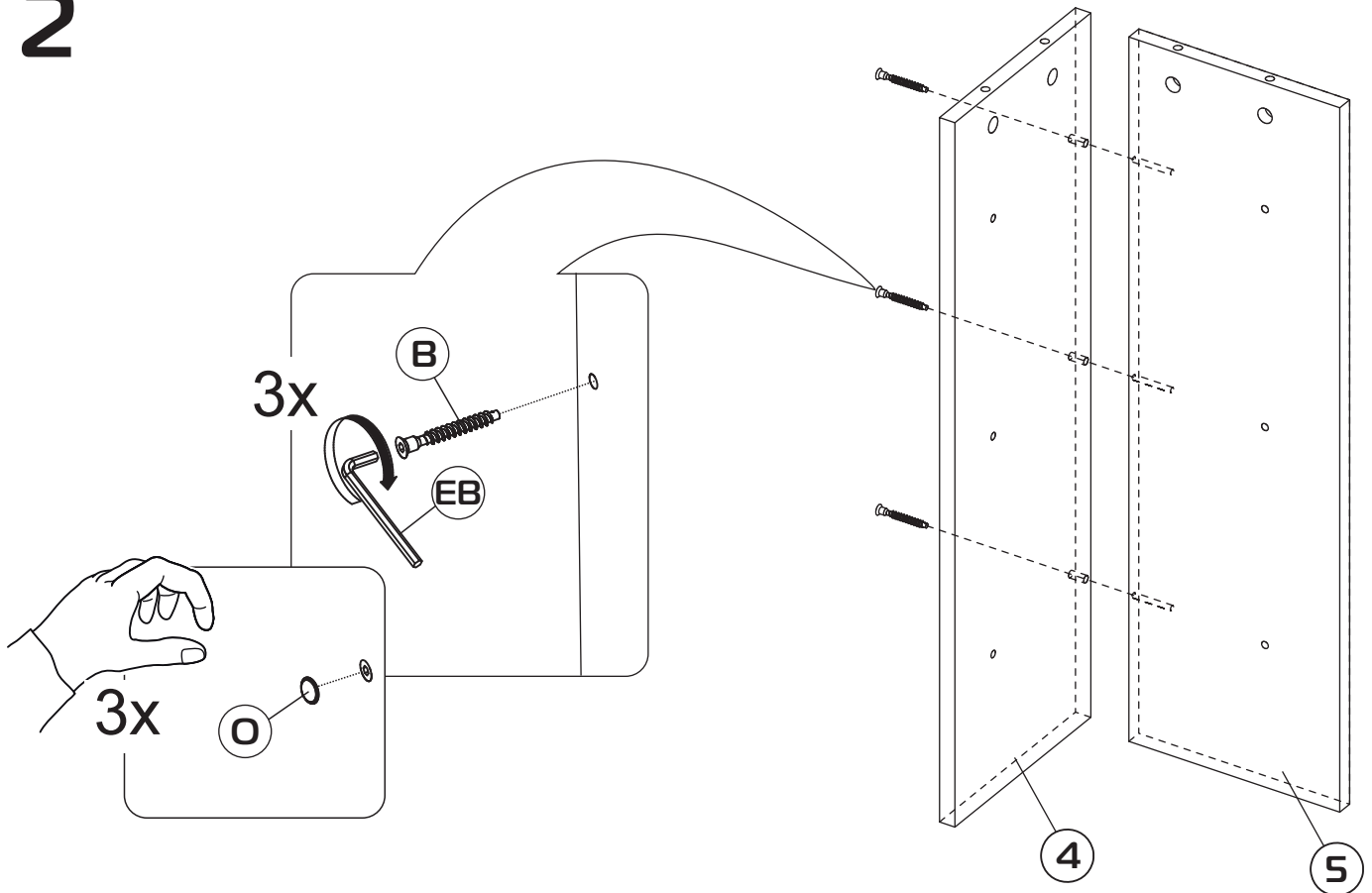
PH 2
PZ 2



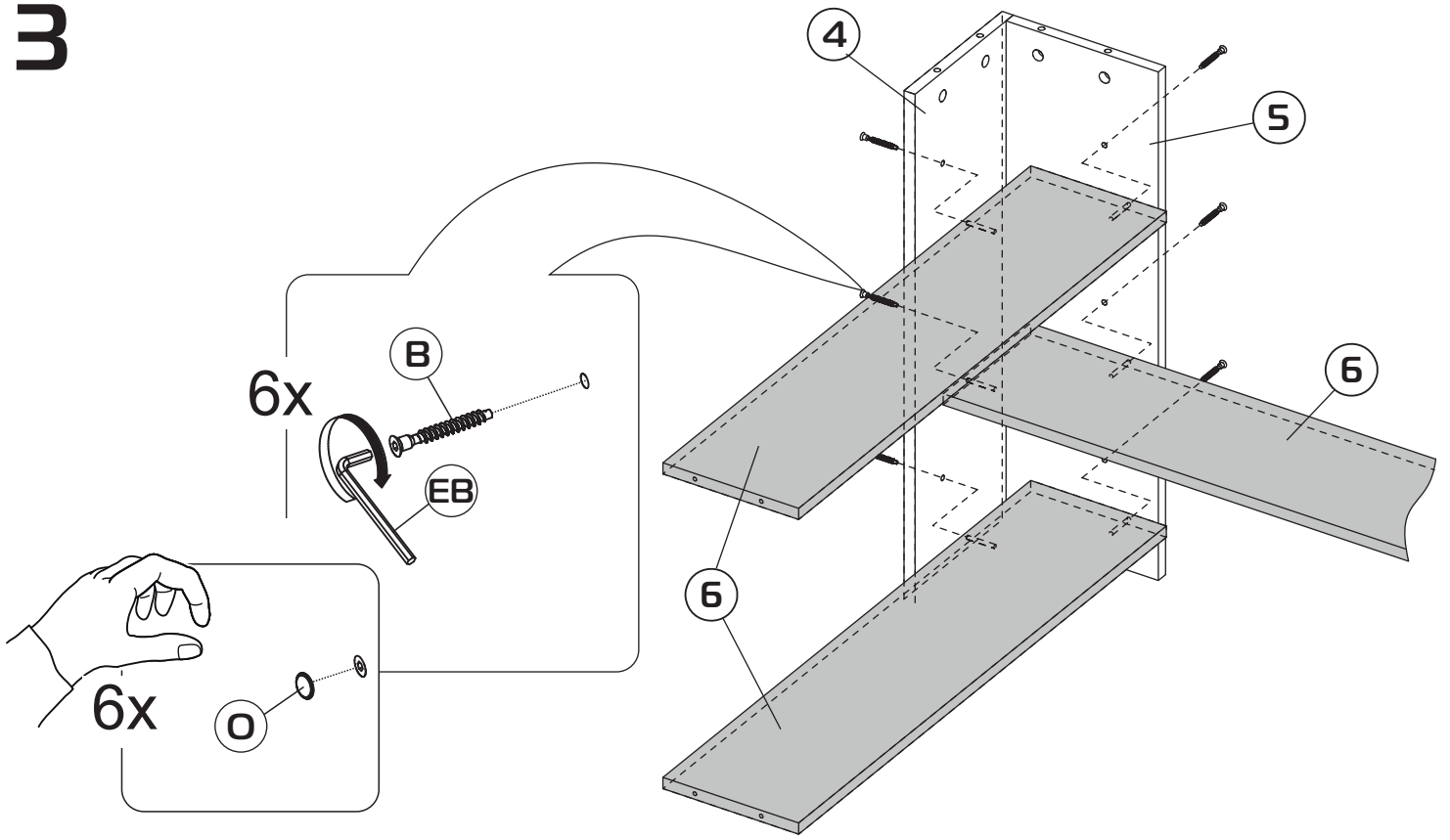


- ① 900x900x16 (x1)
- ② 724x220x16 (x1)
- ③ 724x220x16 (x1)
- ④ 724x220x16 (x1)
- ⑤ 724x220x16 (x1)
- ⑥ 824x196x16 (x3)

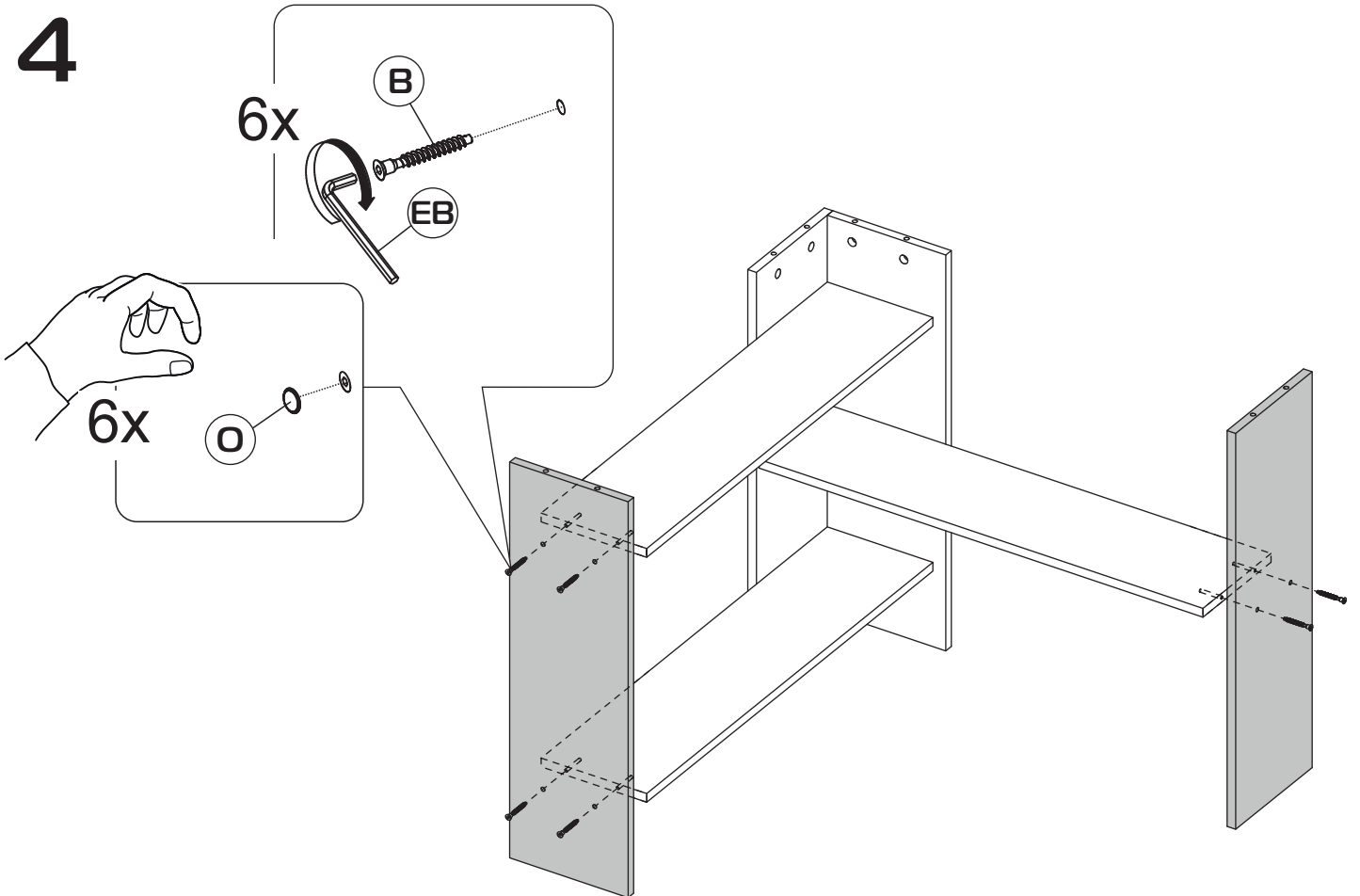


1**2**

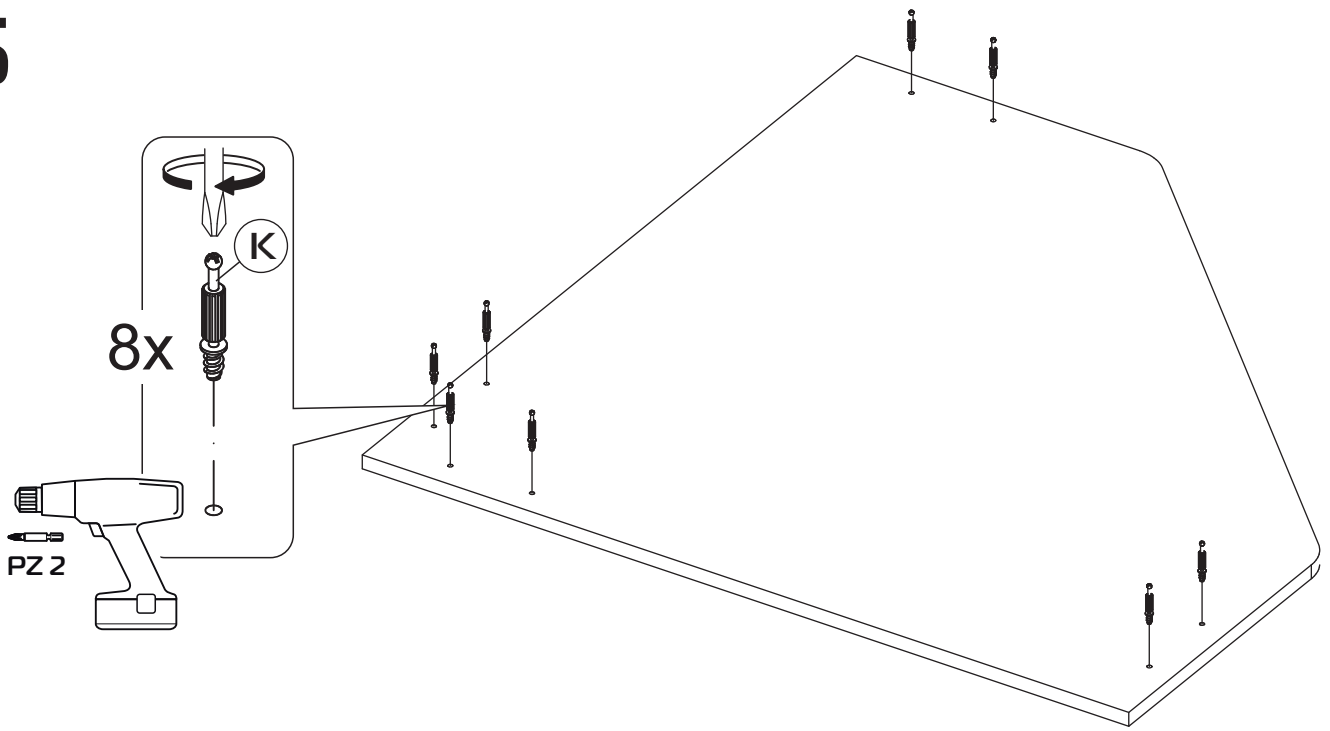
3



4



5



6

