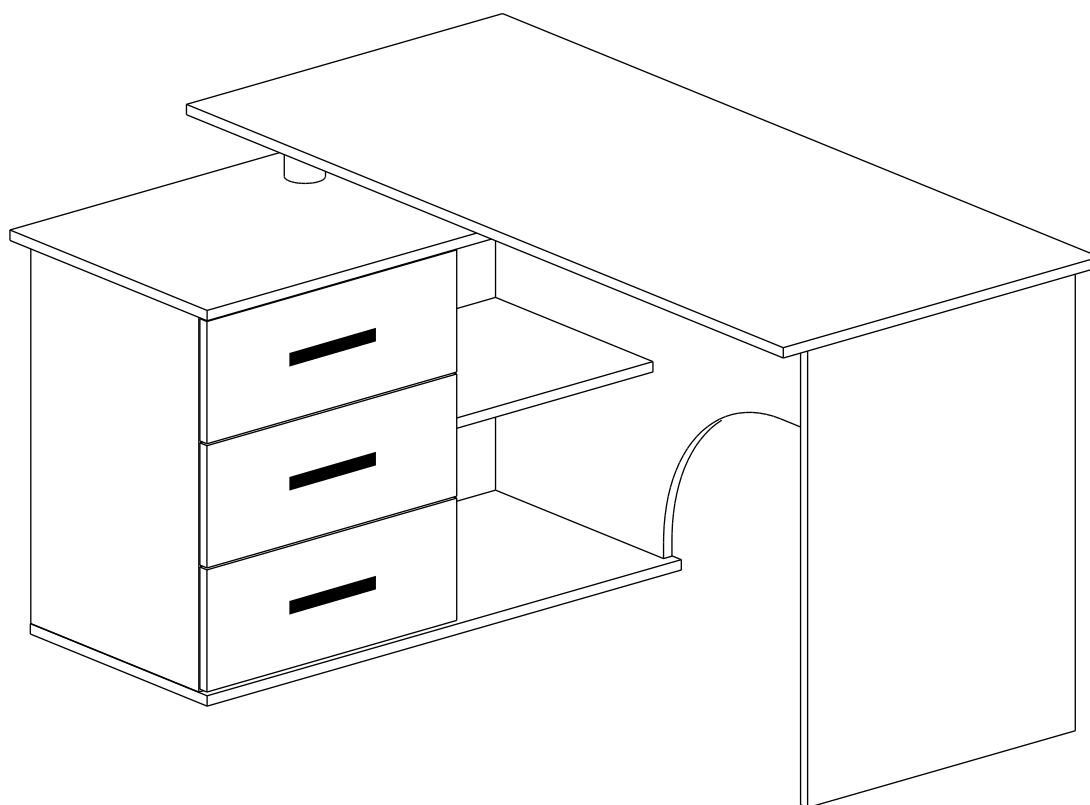
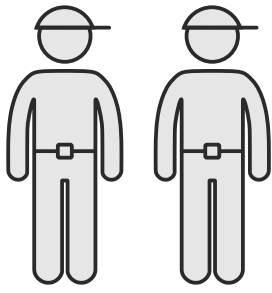


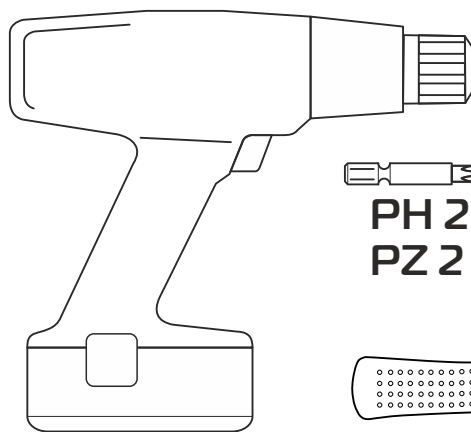
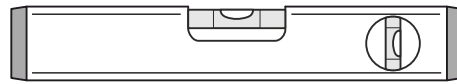
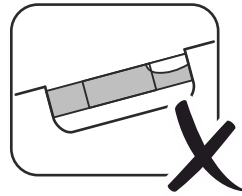
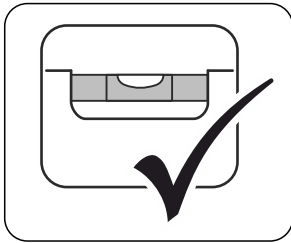
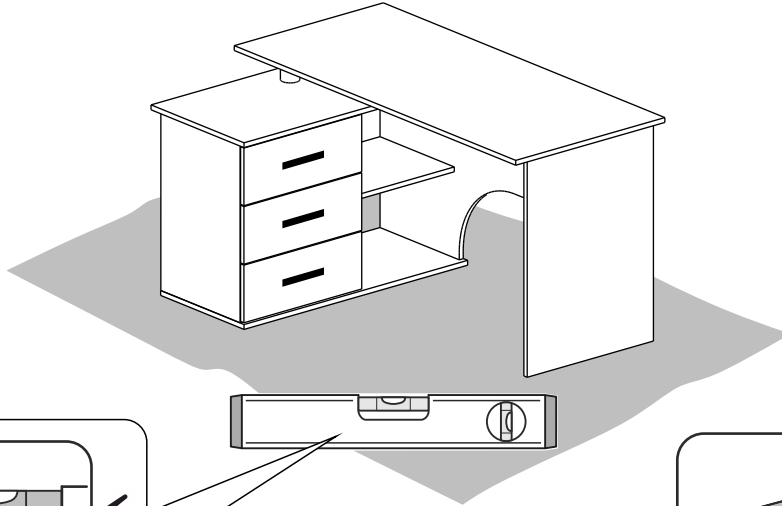
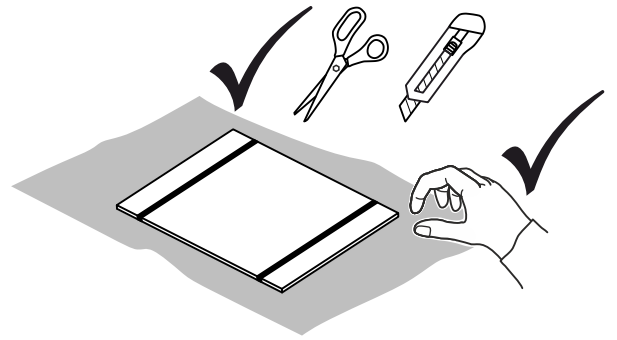
**KCT-09 A**

**KST-09 L**

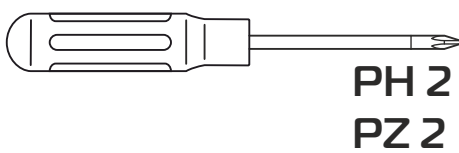
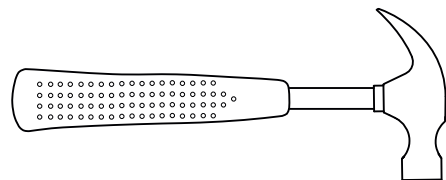
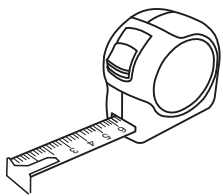




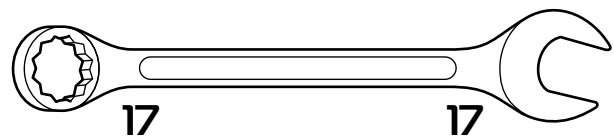
45-60 min



PH 2  
PZ 2

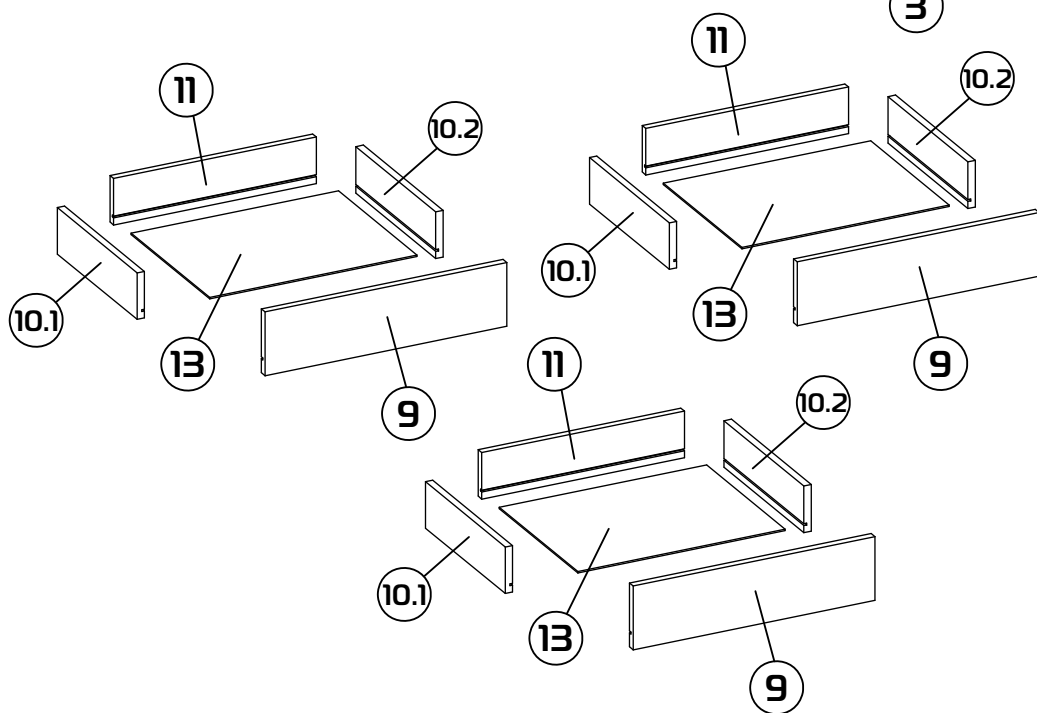
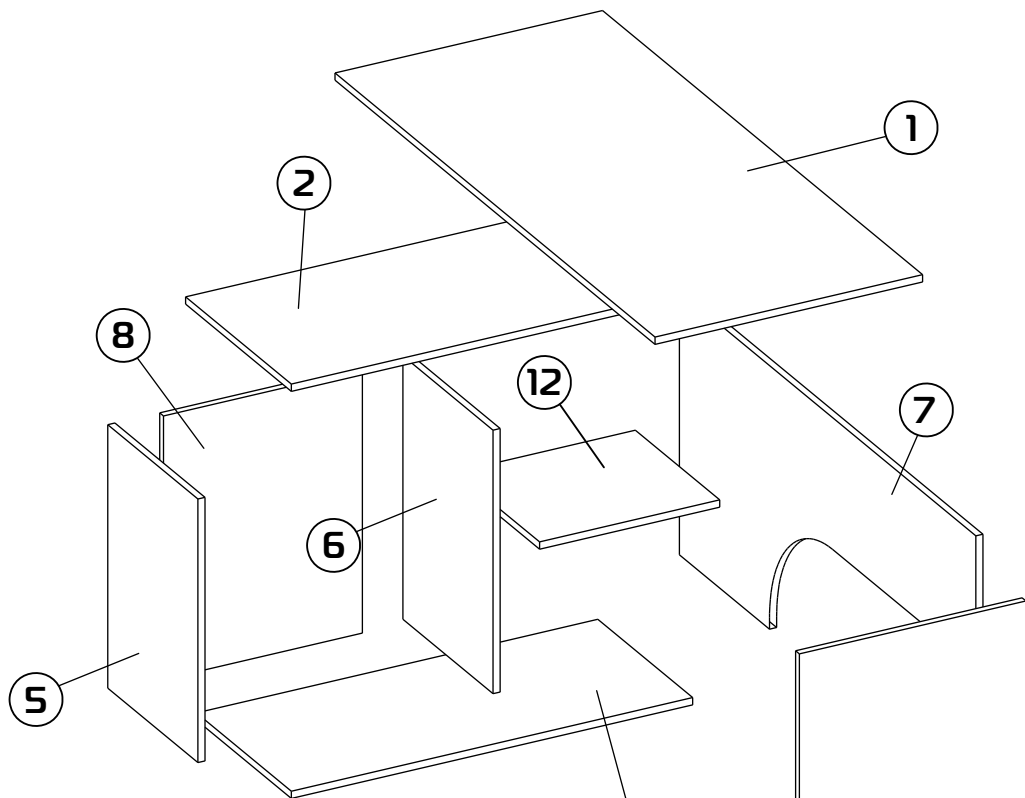


PH 2  
PZ 2



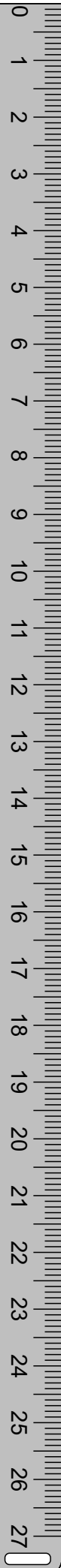
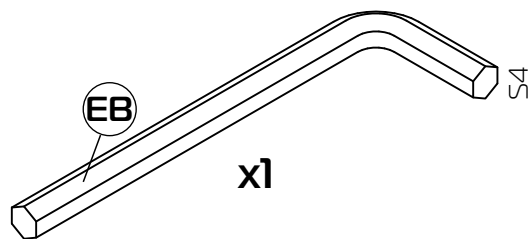
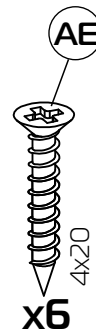
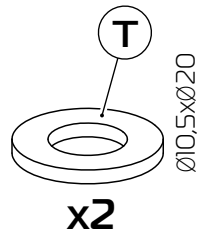
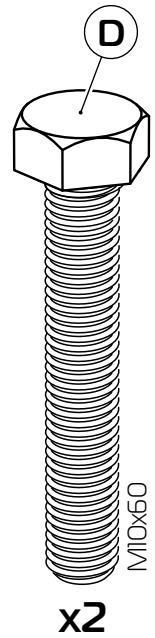
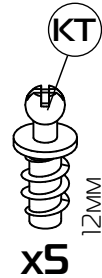
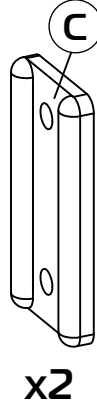
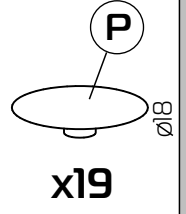
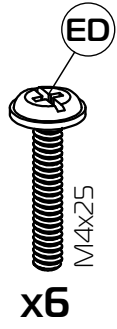
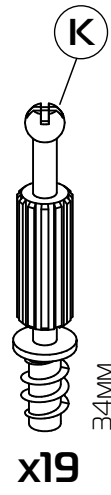
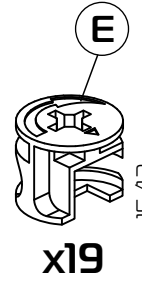
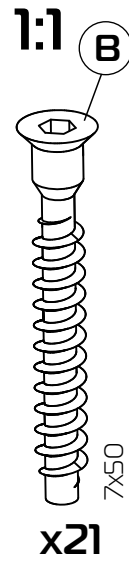
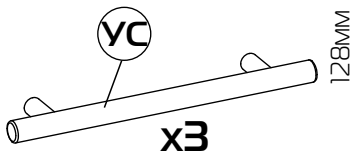
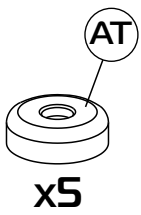
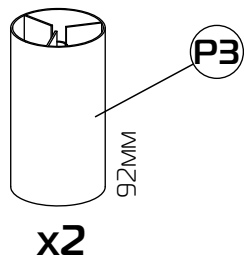
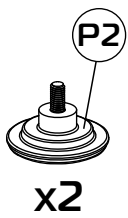
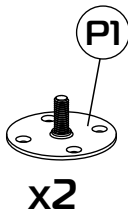
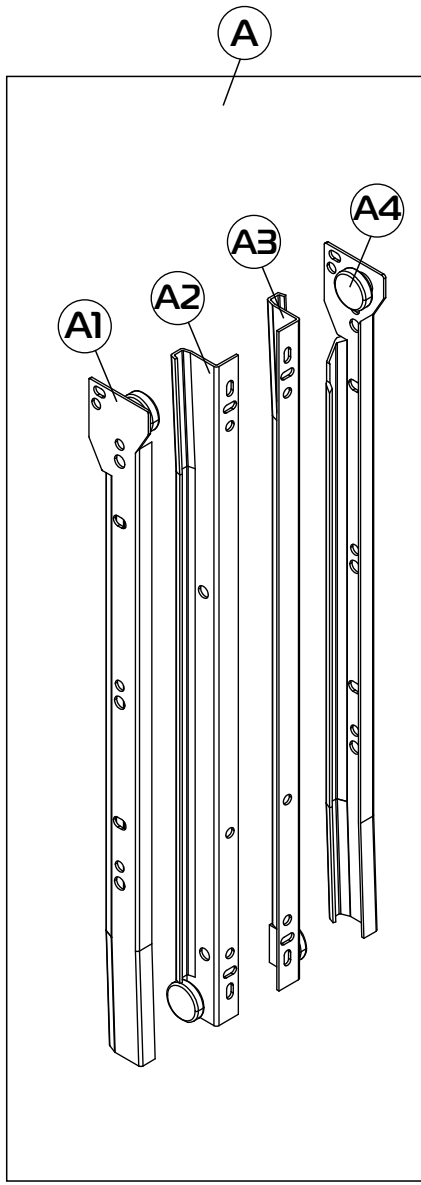
17

17

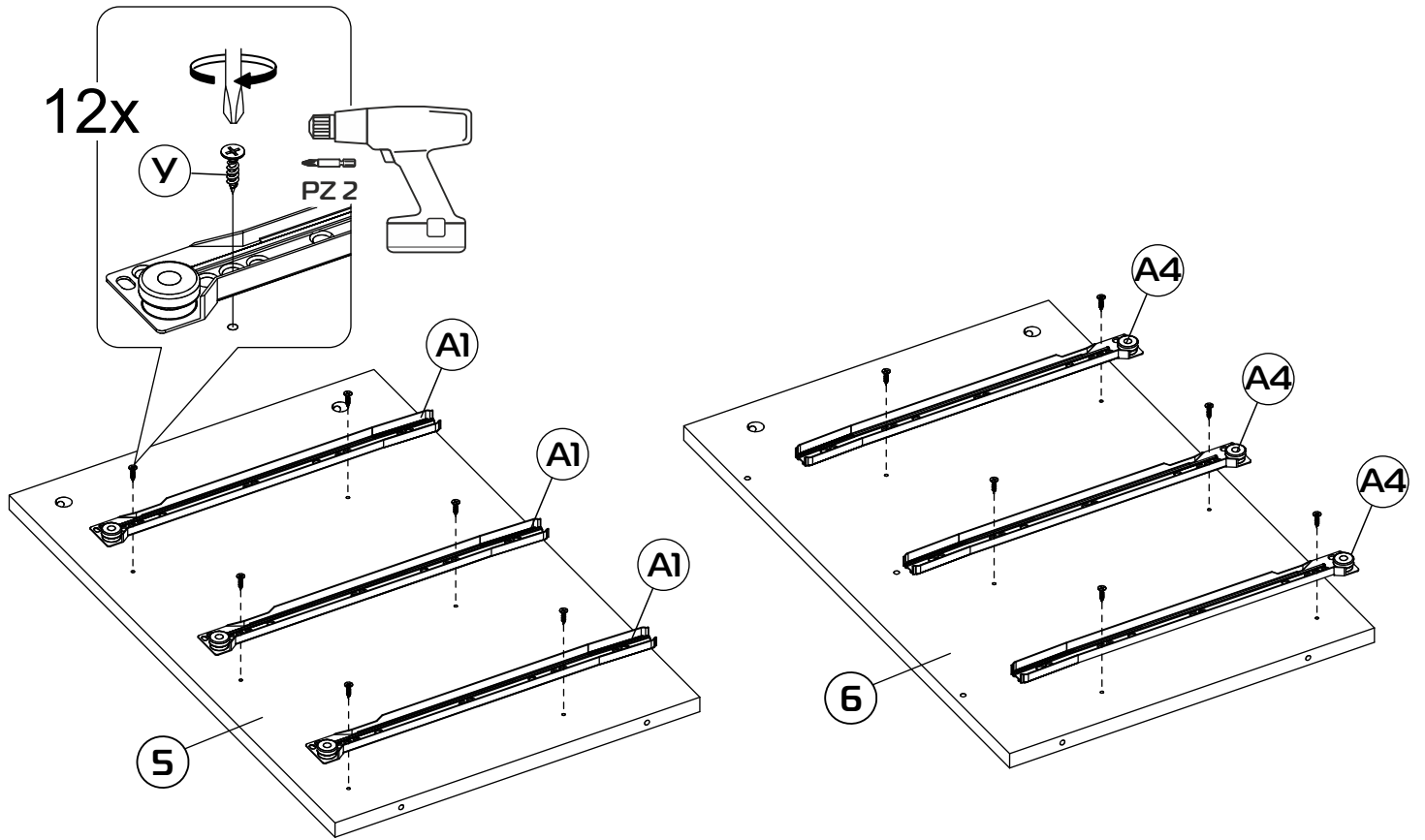


- |                    |                     |                     |
|--------------------|---------------------|---------------------|
| ① 1350x600x16 (x1) | ⑥ 580x380x16 (x1)   | ⑩.2 350x146x16 (x3) |
| ② 900x446x16 (x1)  | ⑦ 1250x580x16 (x1)  | ⑪ 388x146x16 (x3)   |
| ③ 900x400x16 (x1)  | ⑧ 580x446x16 (x1)   | ⑫ 404x356x16 (x1)   |
| ④ 724x508x16 (x1)  | ⑨ 474x189x16 (x3)   | ⑬ 400x346x3 (x3)    |
| ⑤ 580x380x16 (x1)  | ⑩.1 350x146x16 (x3) |                     |

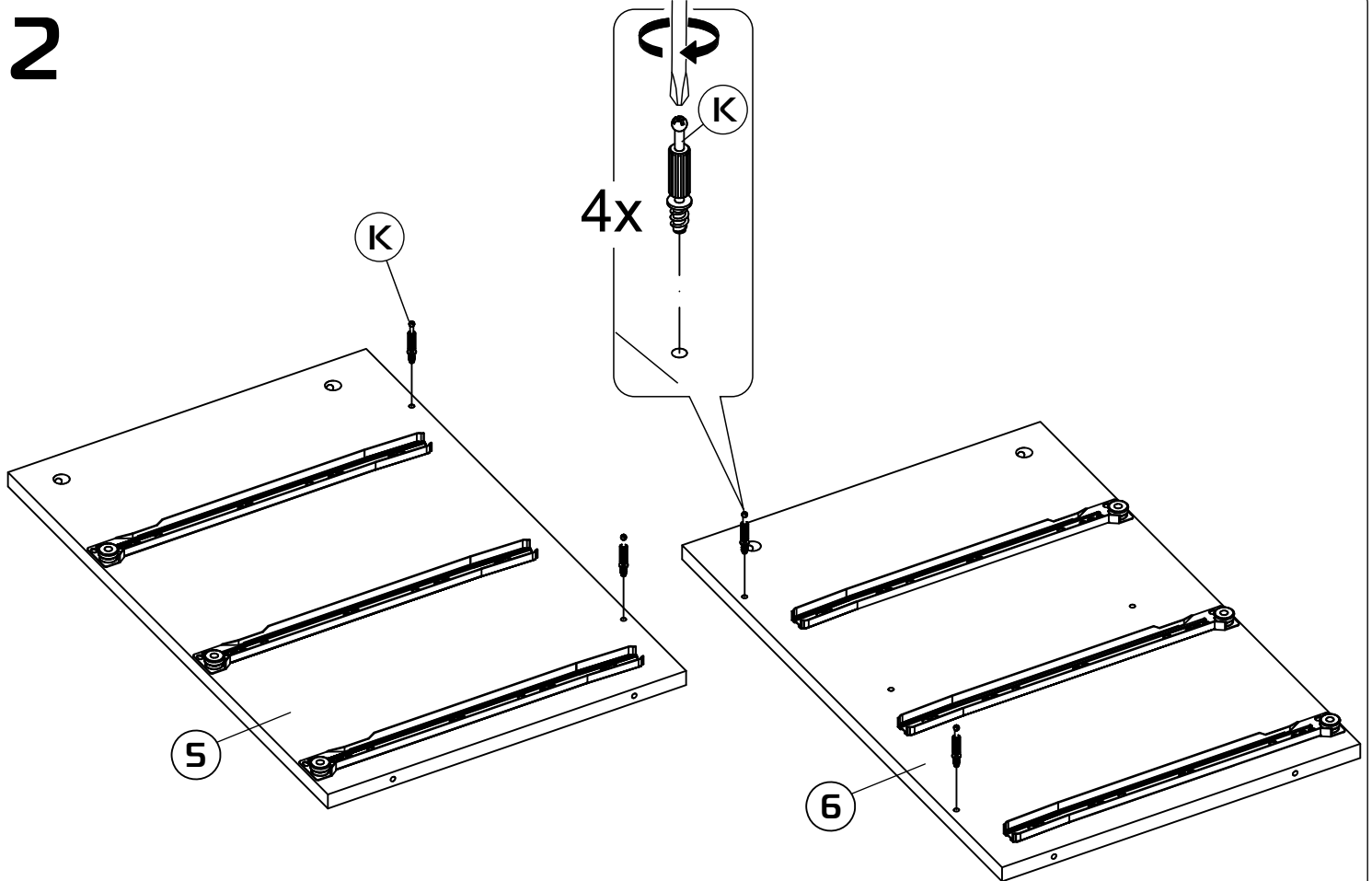
1:4



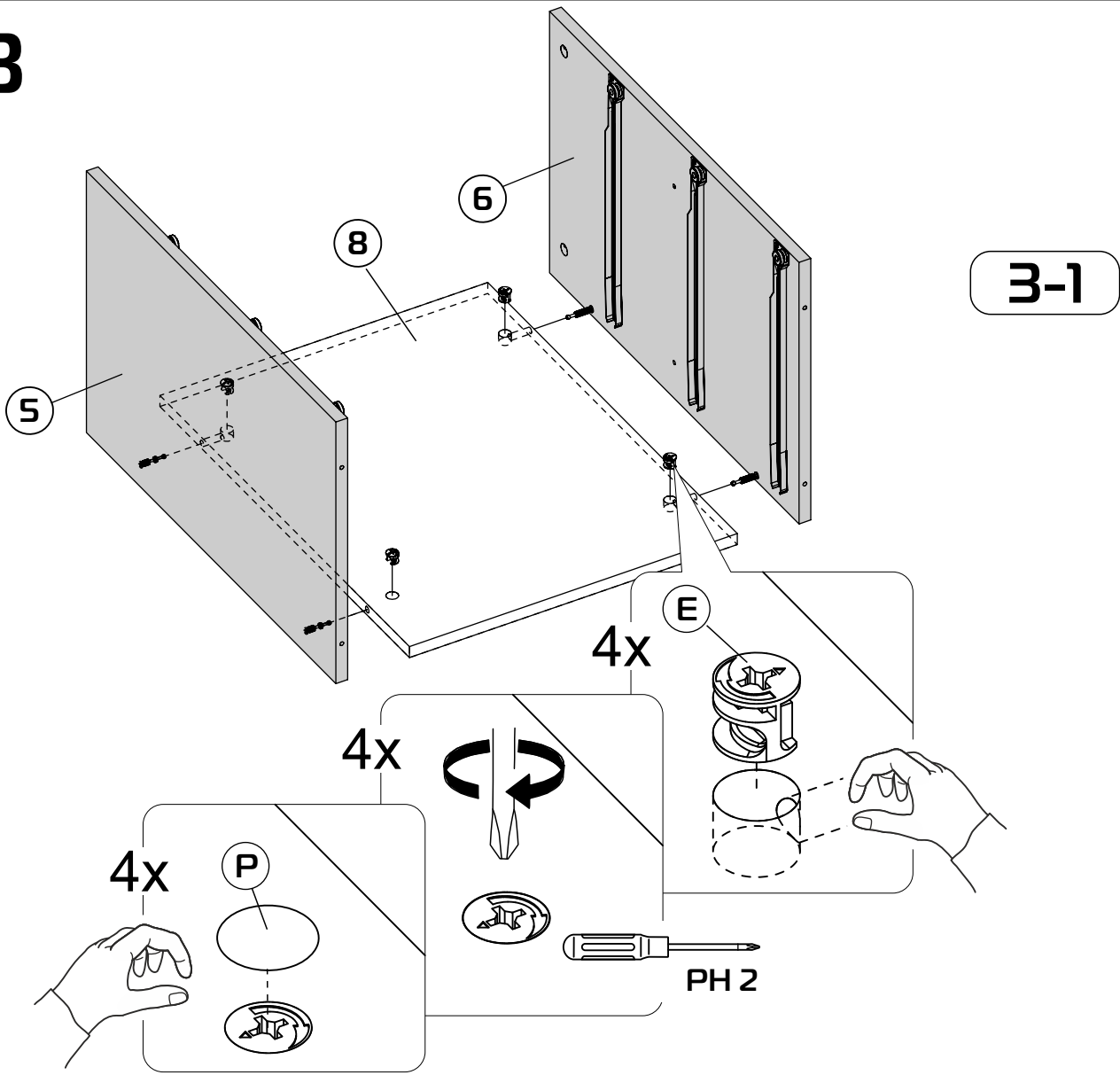
1



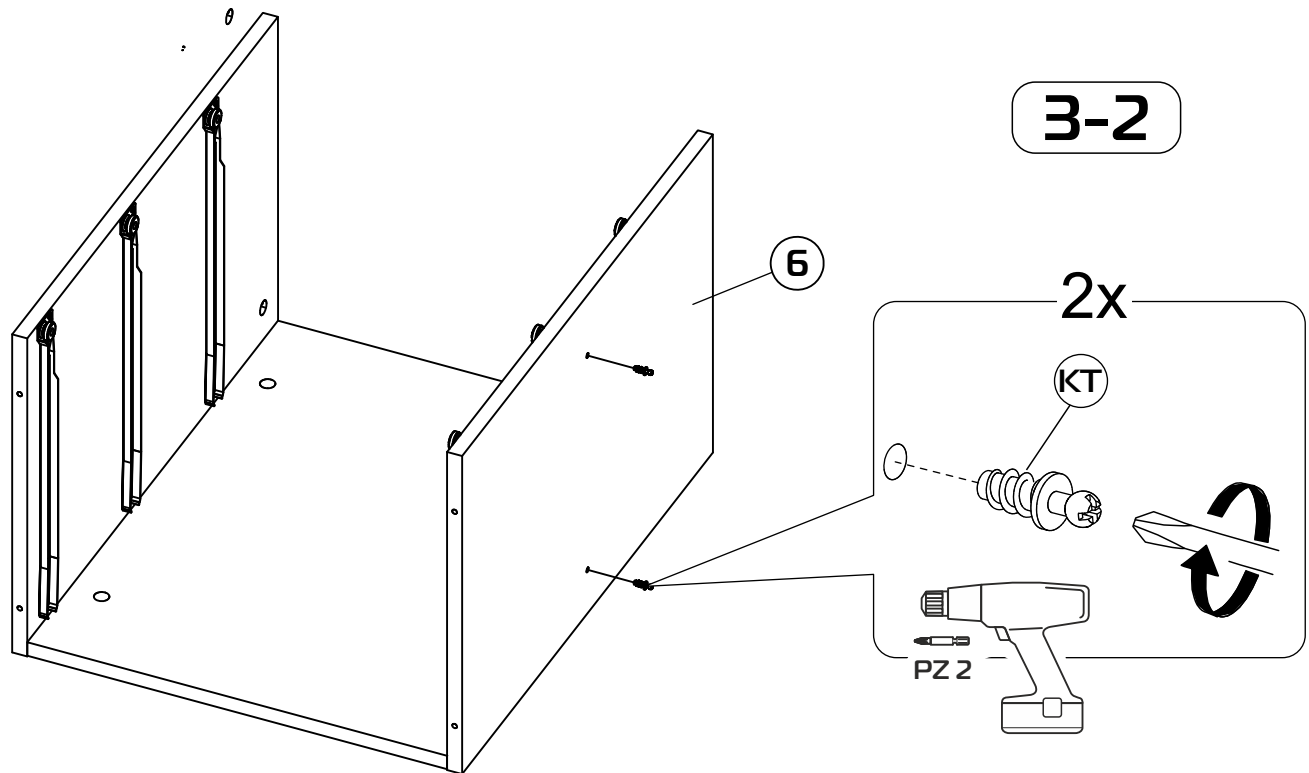
2



# 3

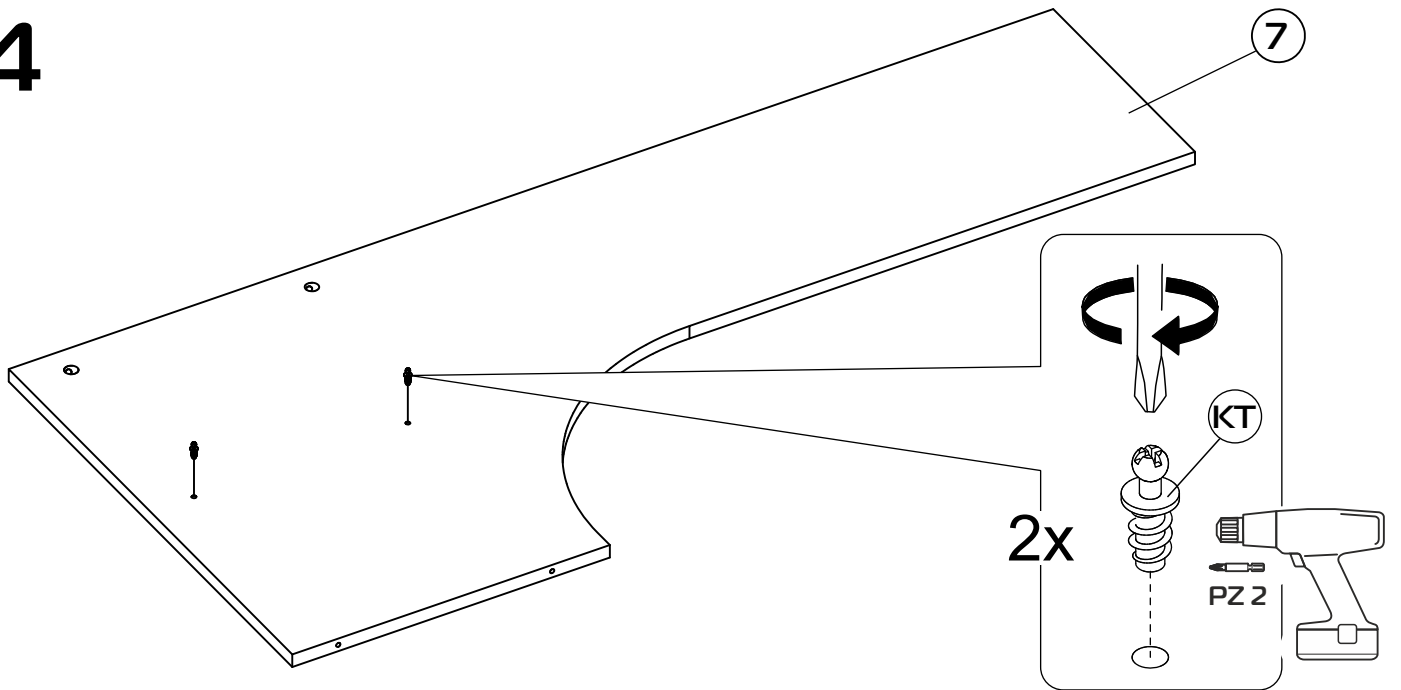


## 3-1

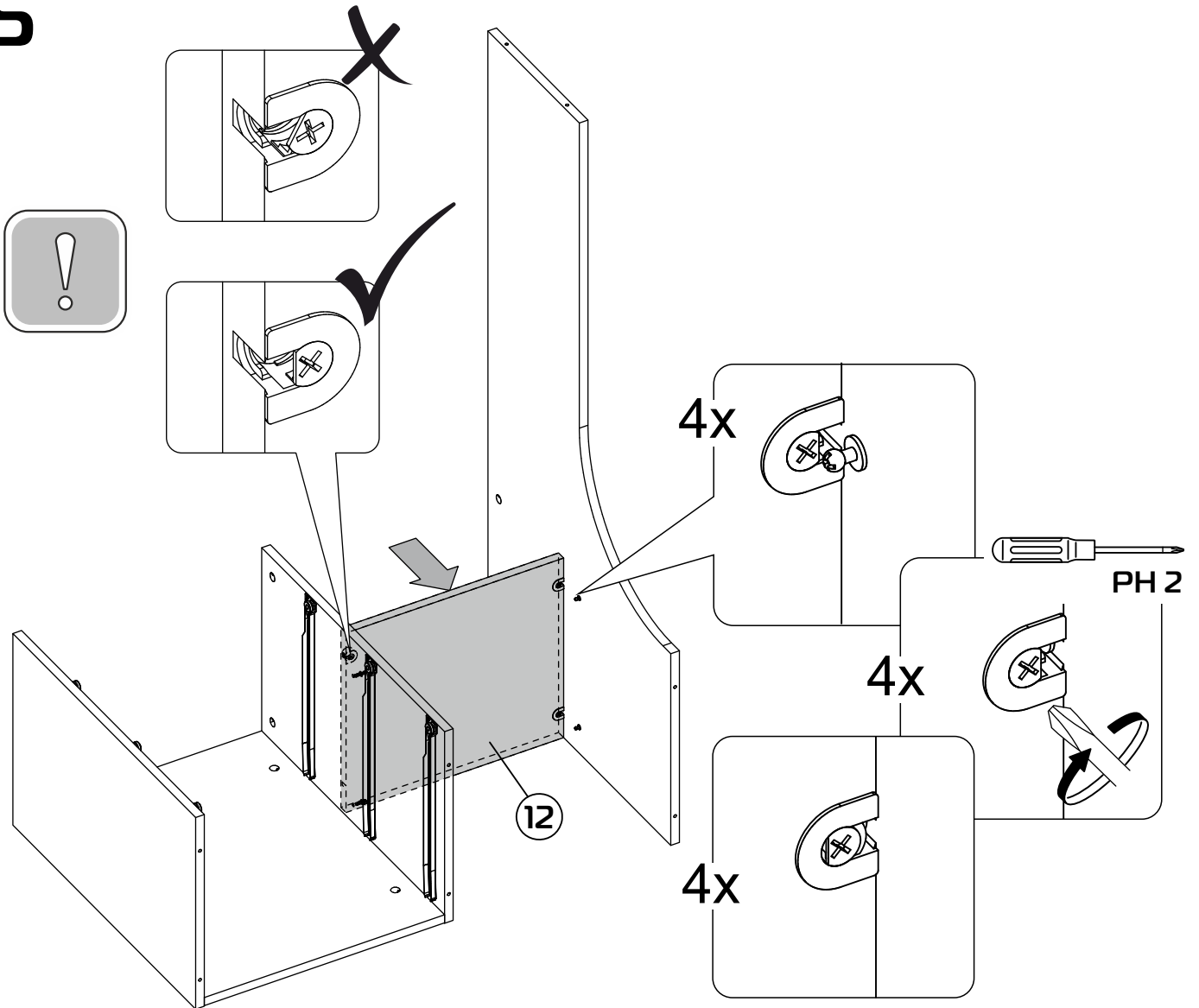


## 3-2

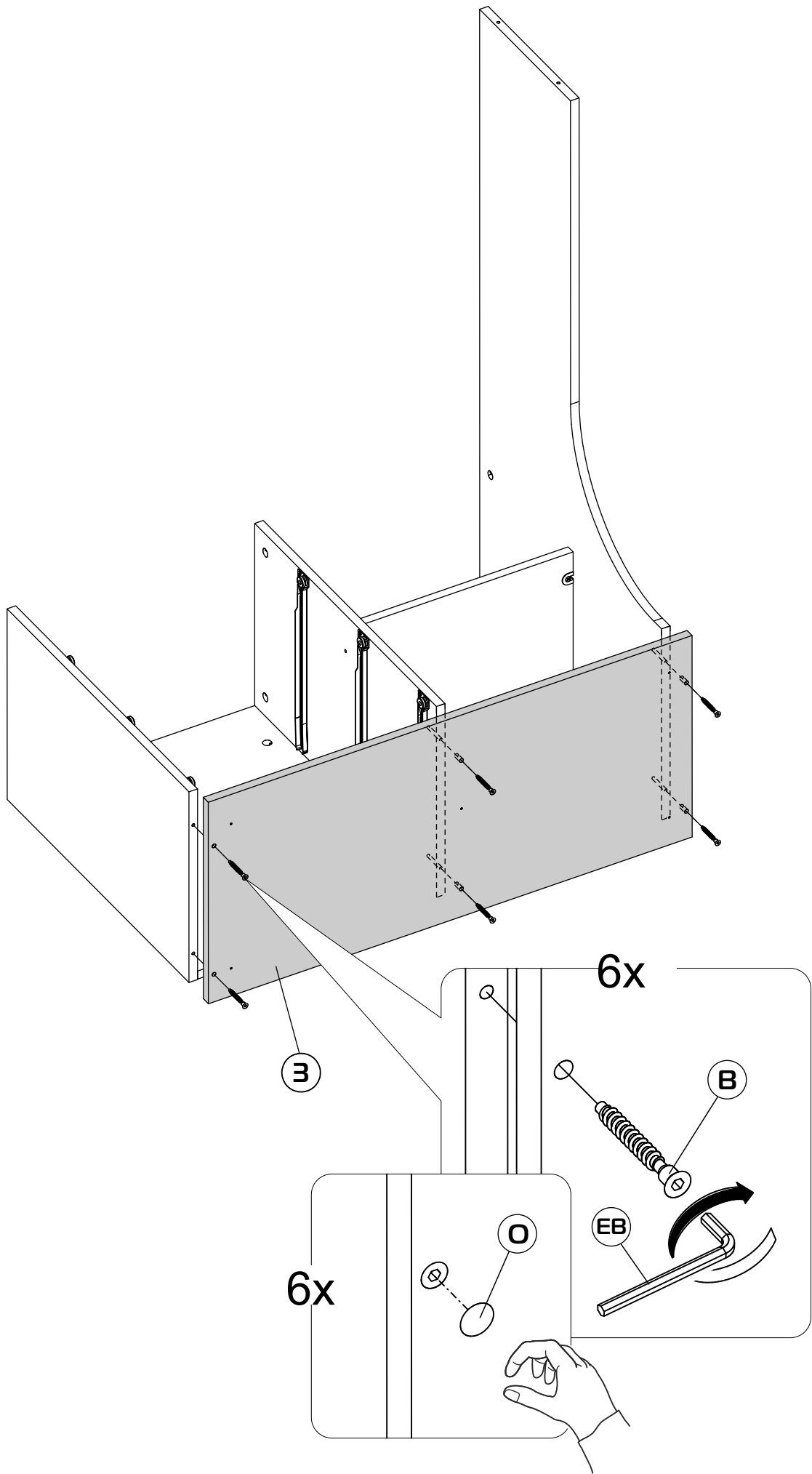
4



5

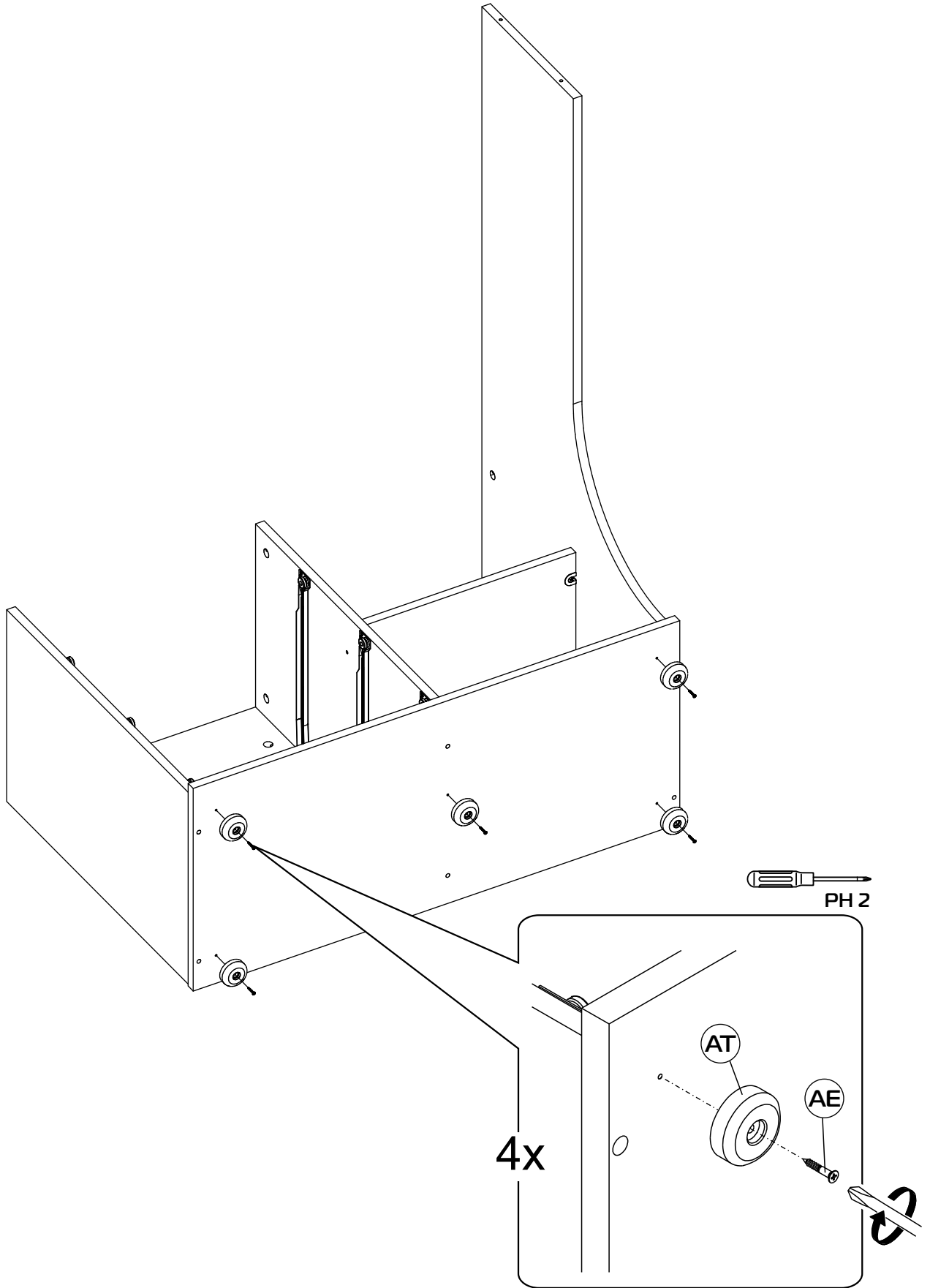


6

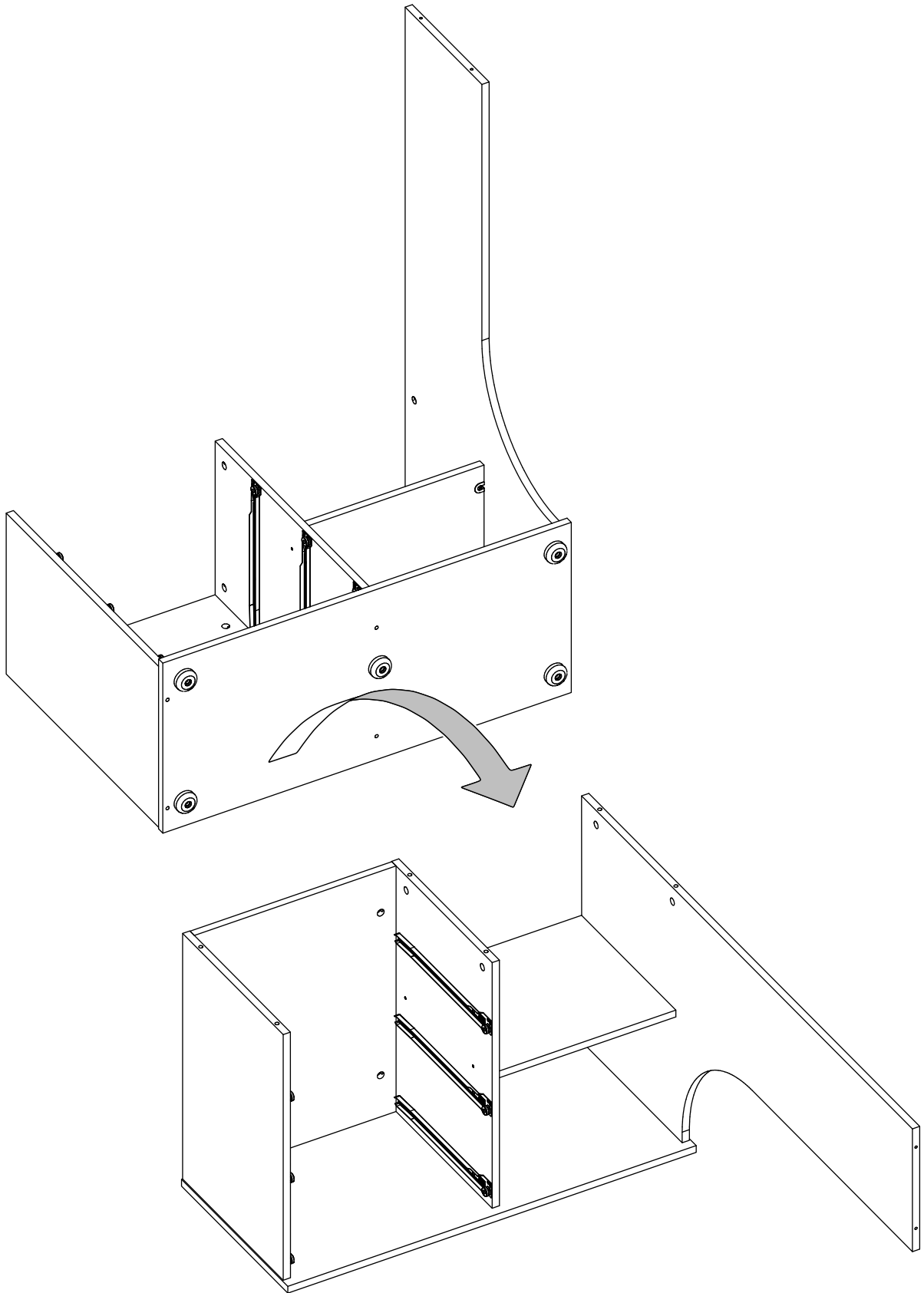




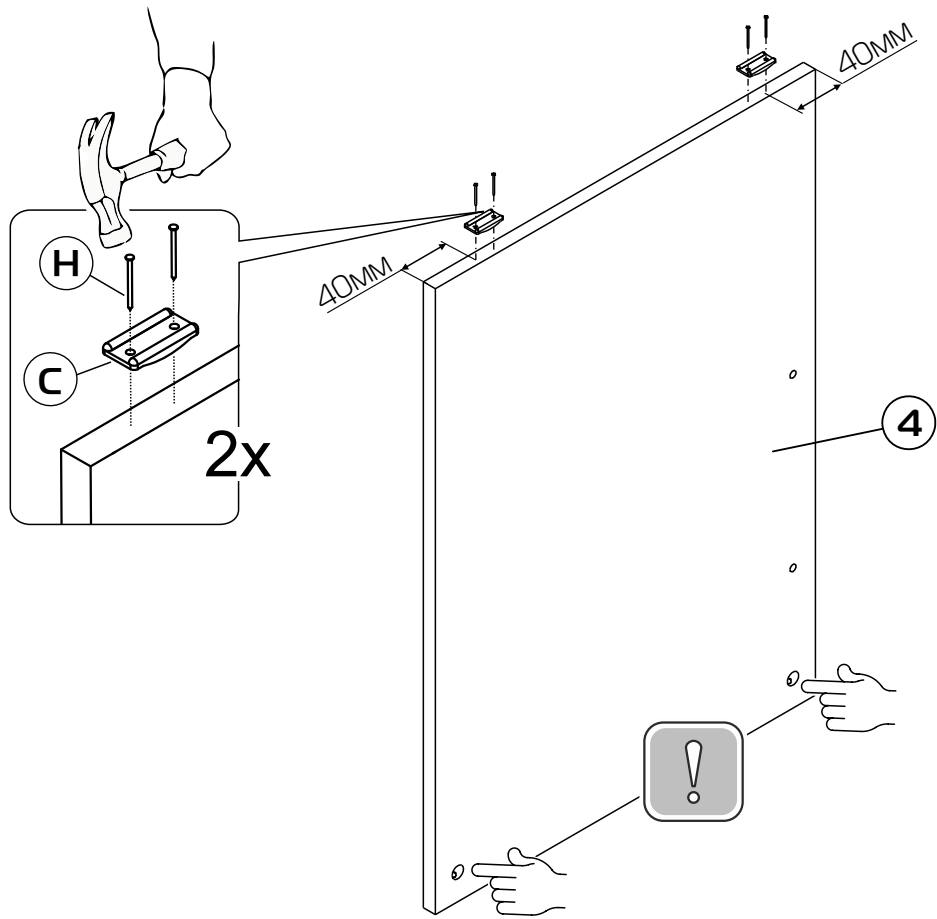
7



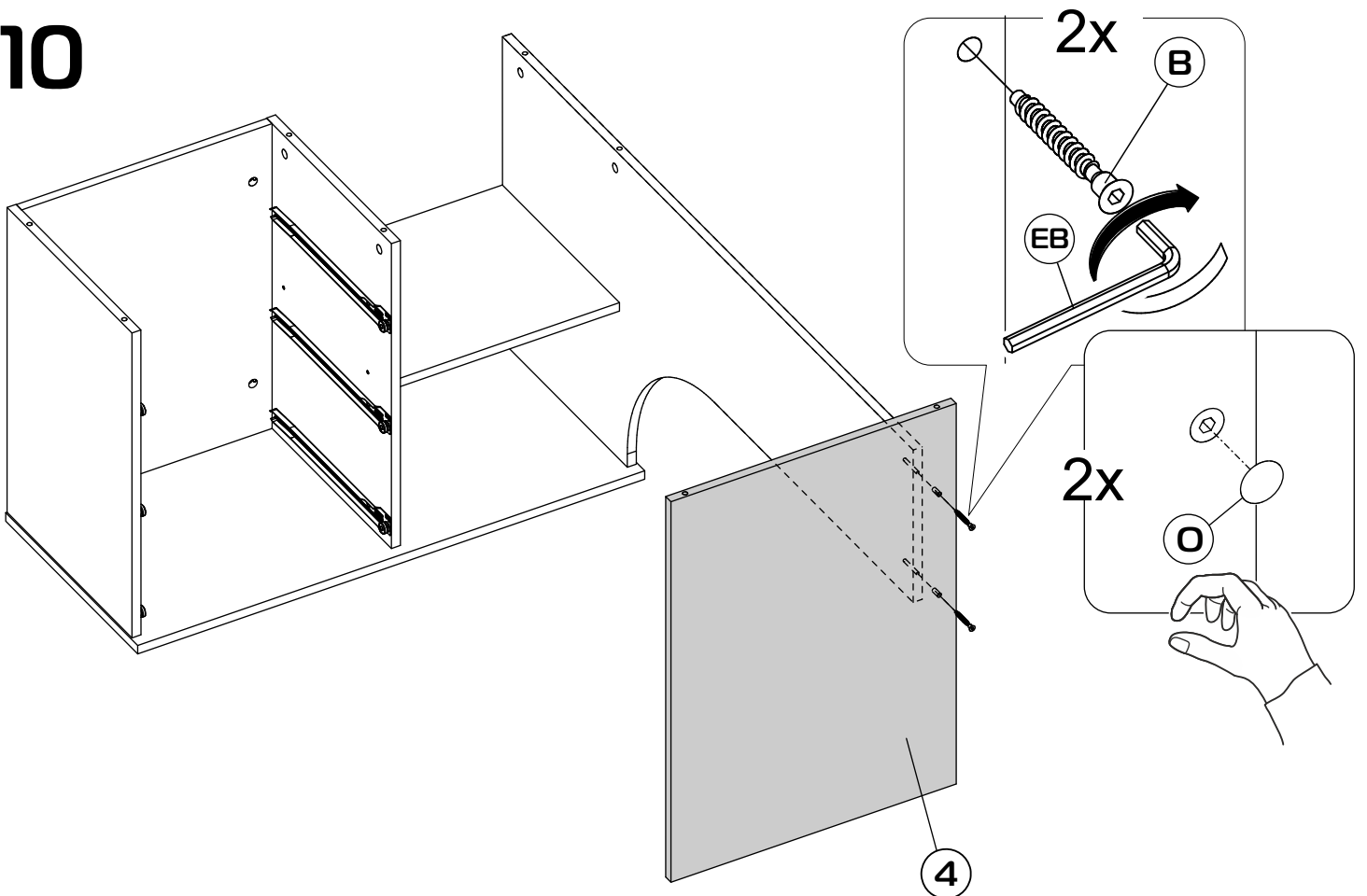
8

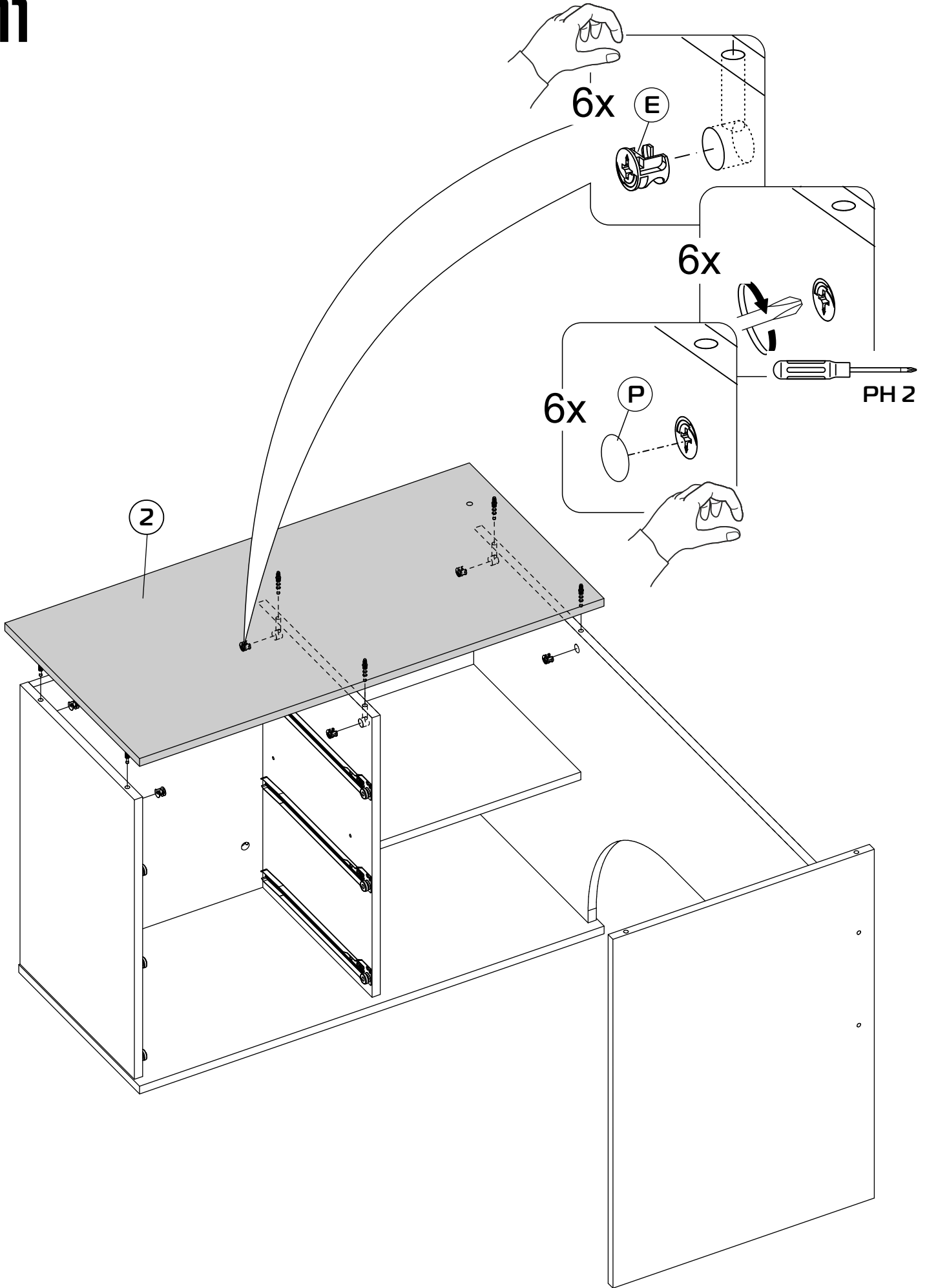


9

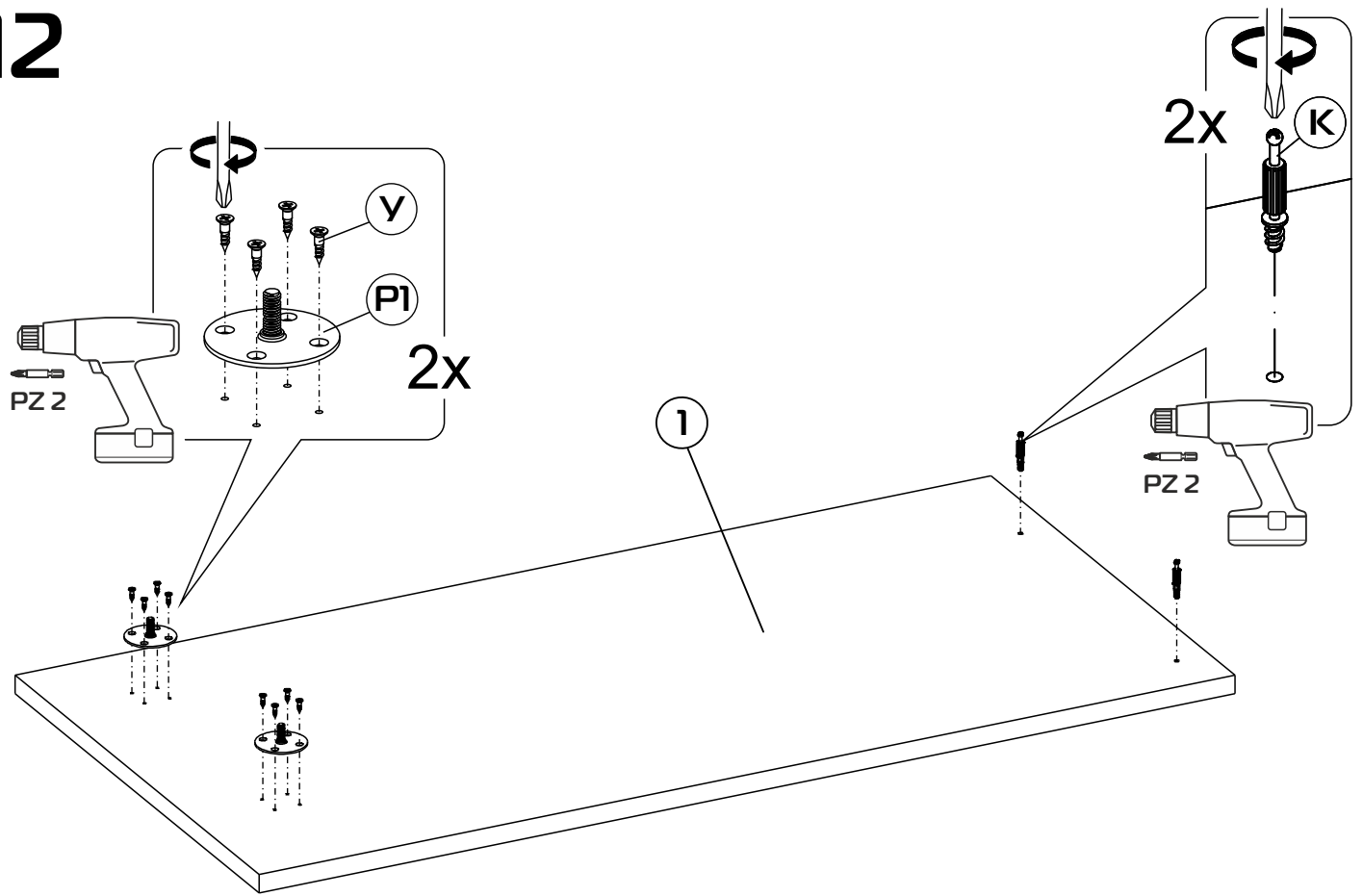


10

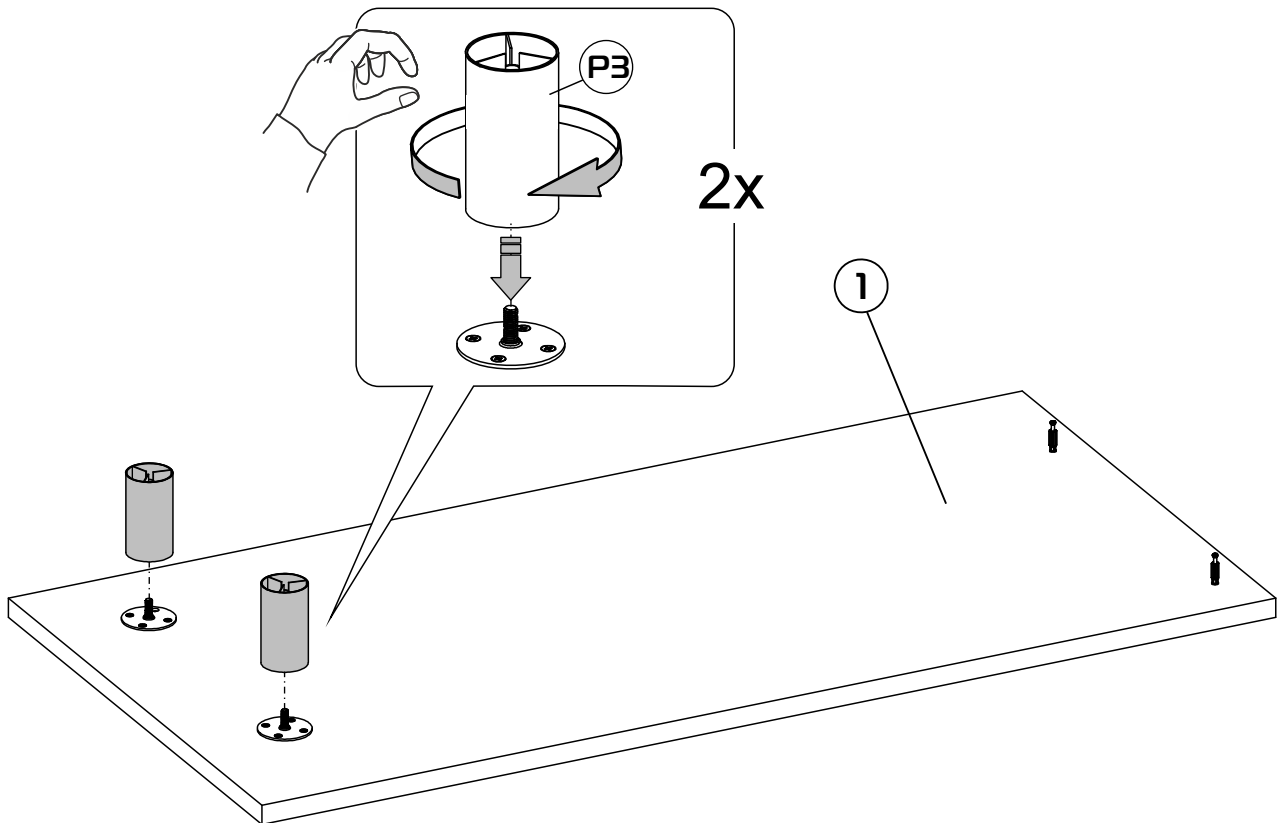




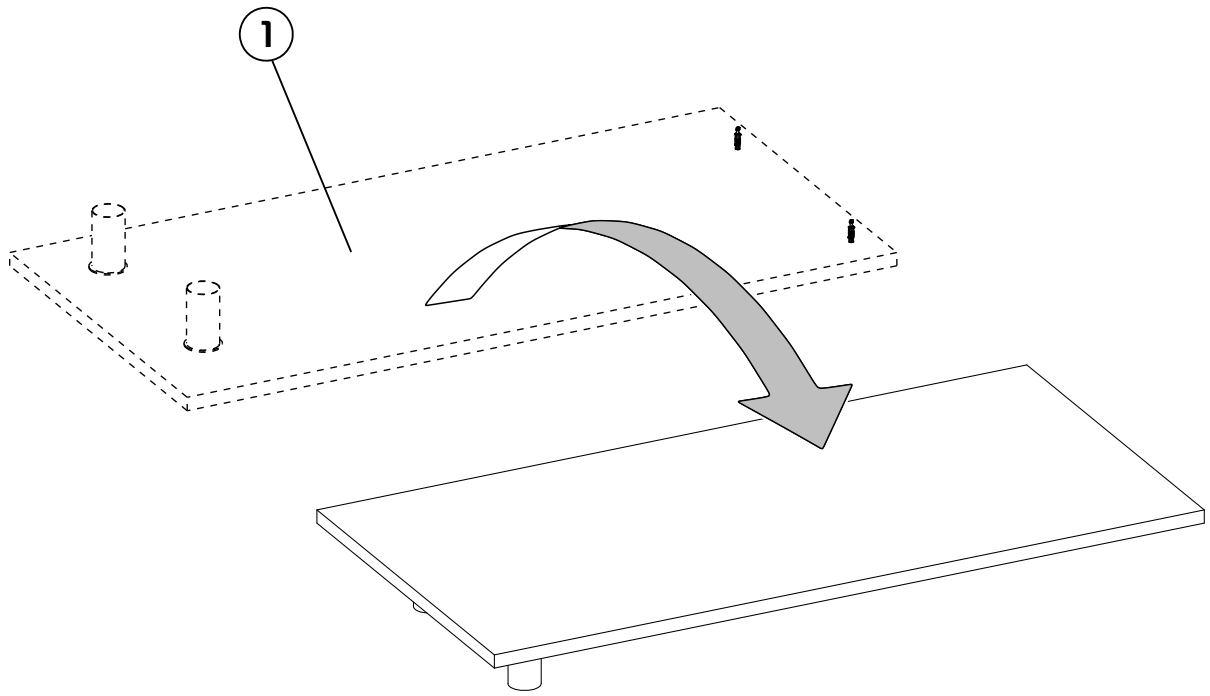
# 12



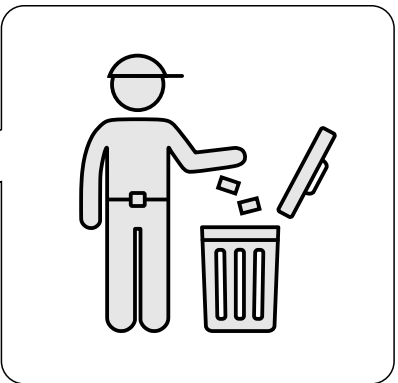
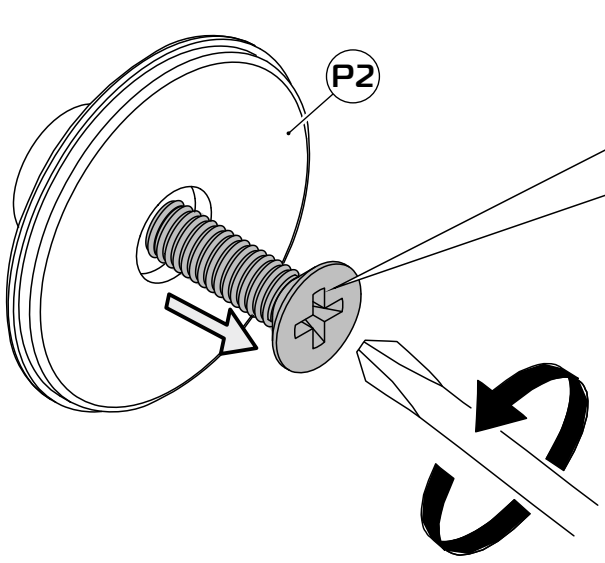
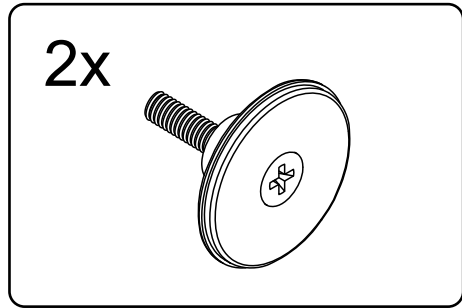
# 13

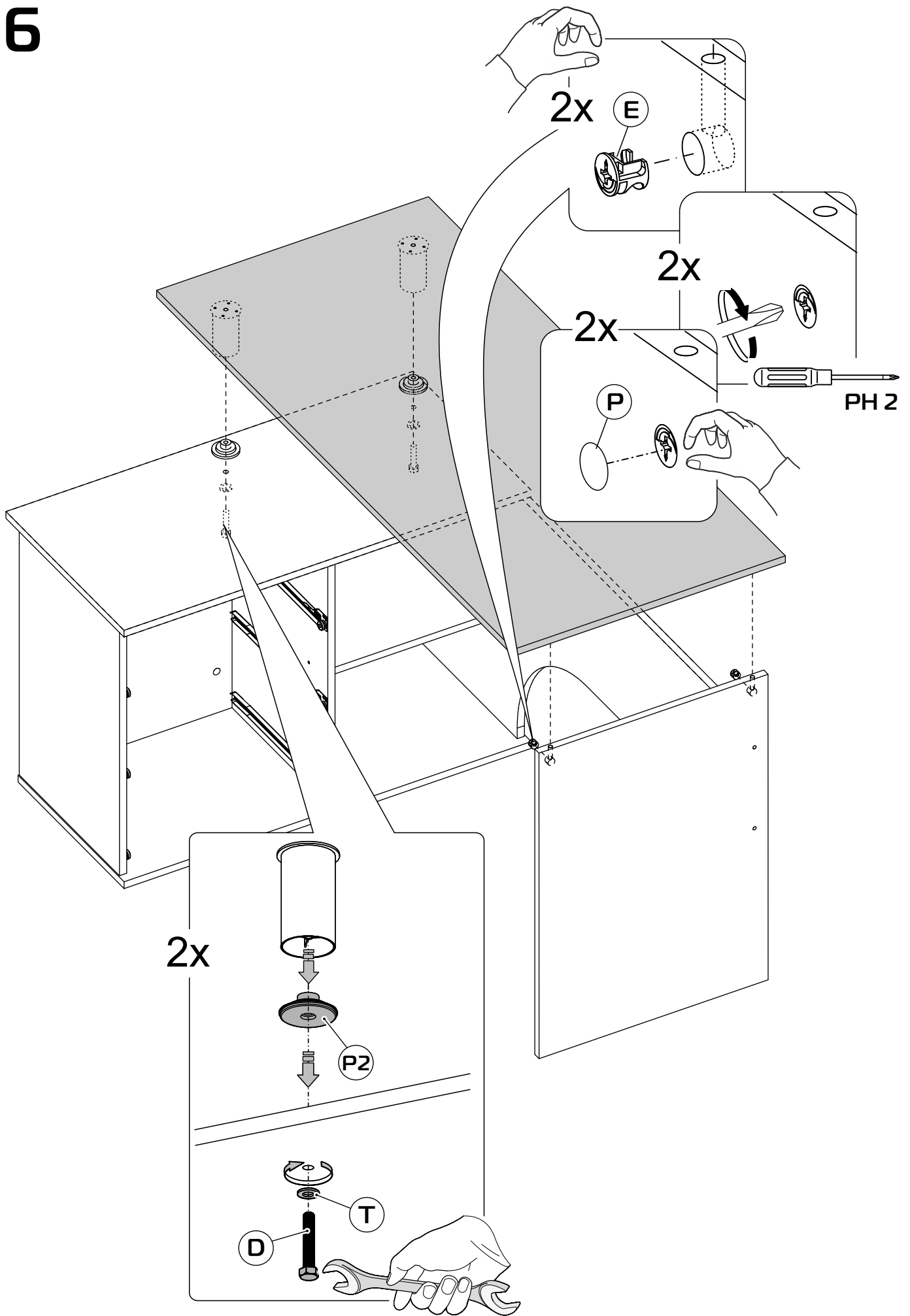


14



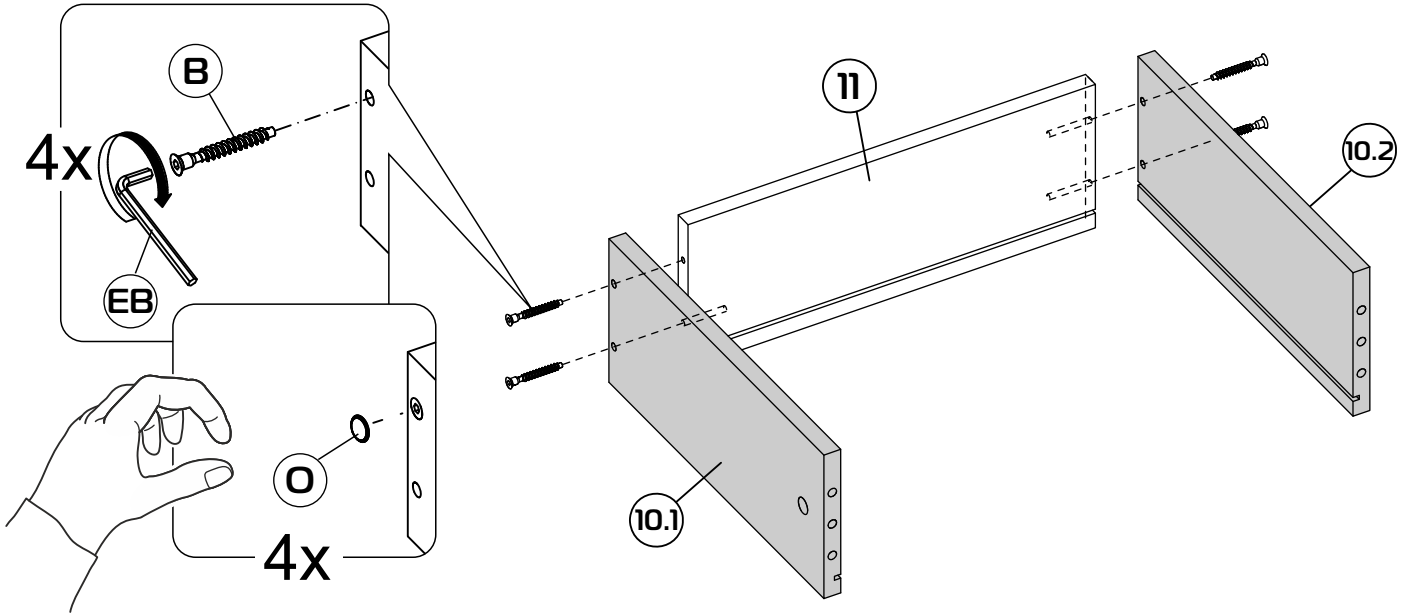
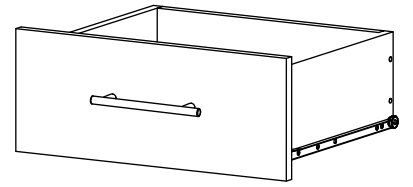
15





# 17

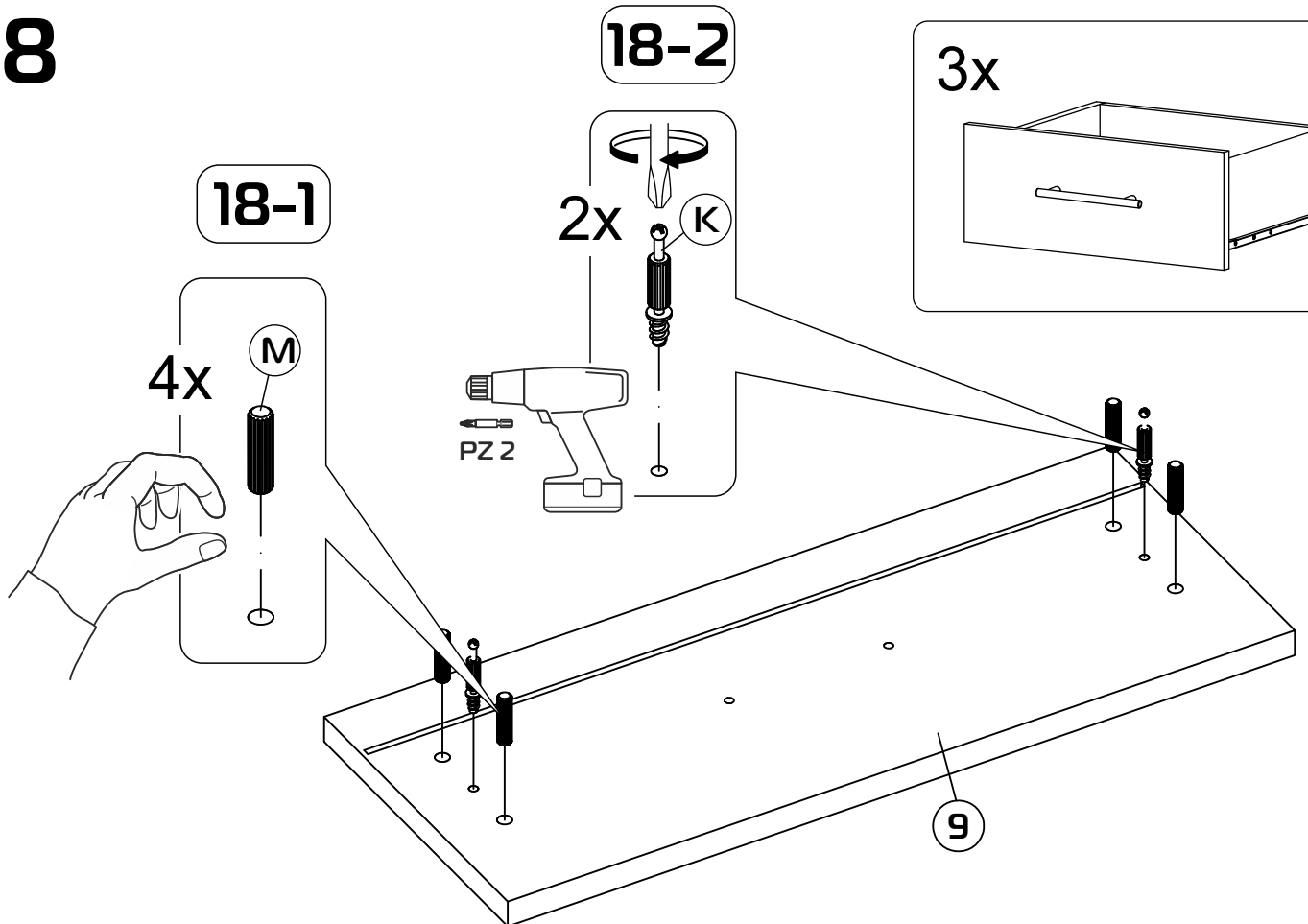
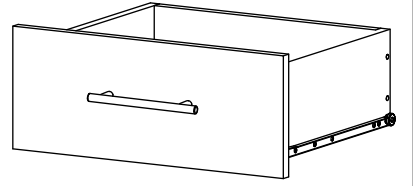
3x



# 18

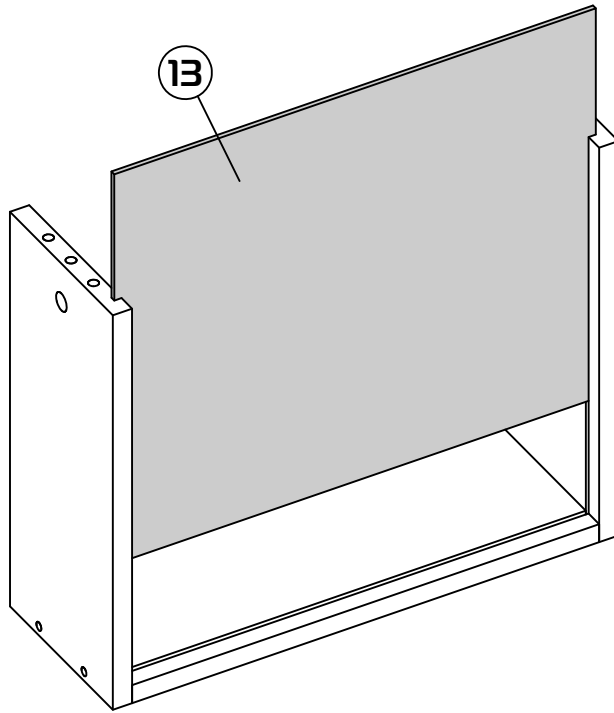
18-2

3x

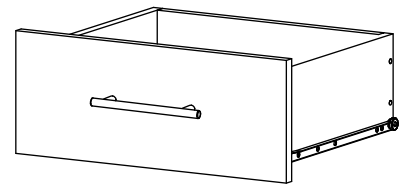




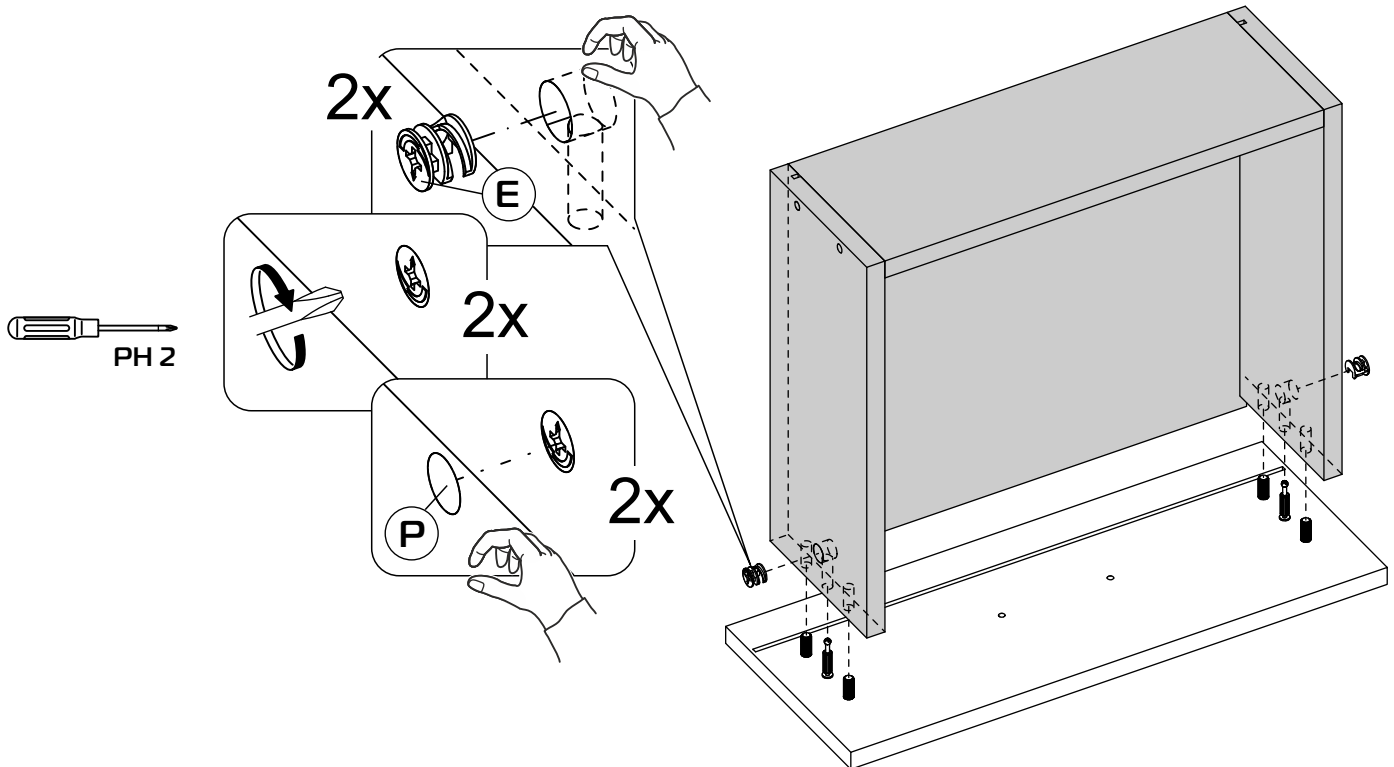
# 19



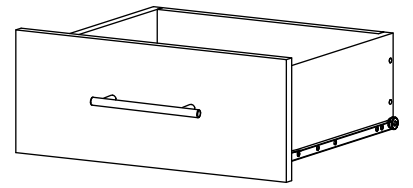
3x



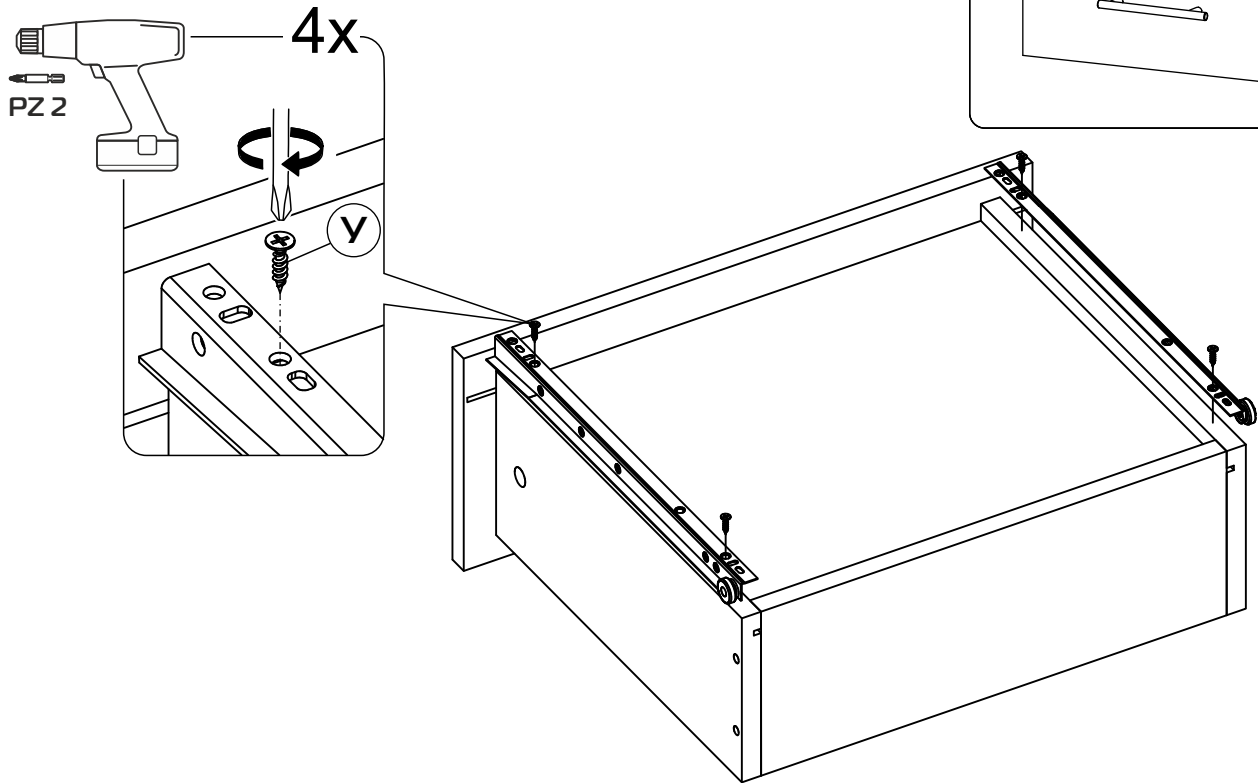
# 20



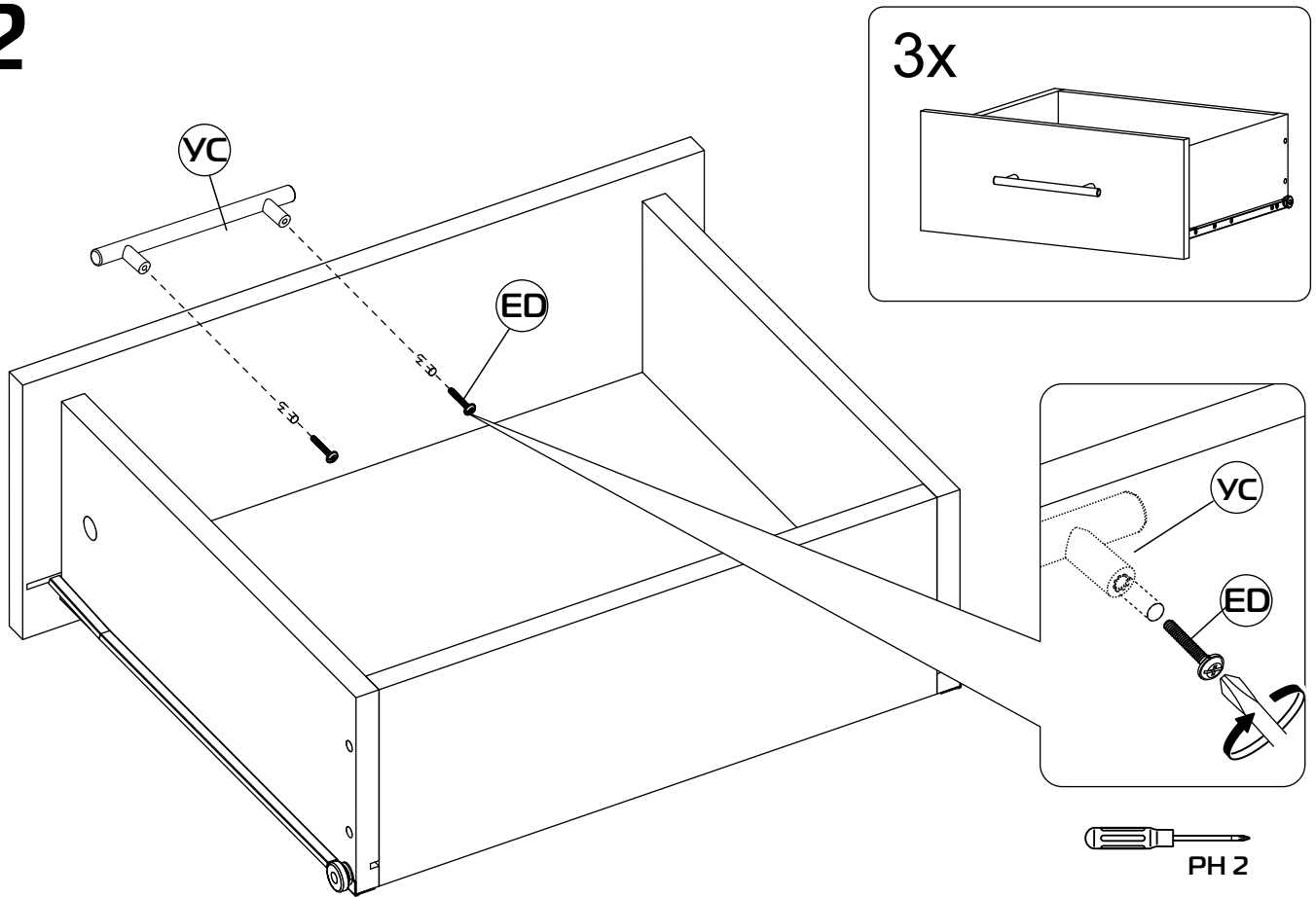
3x



# 21



# 22



23

