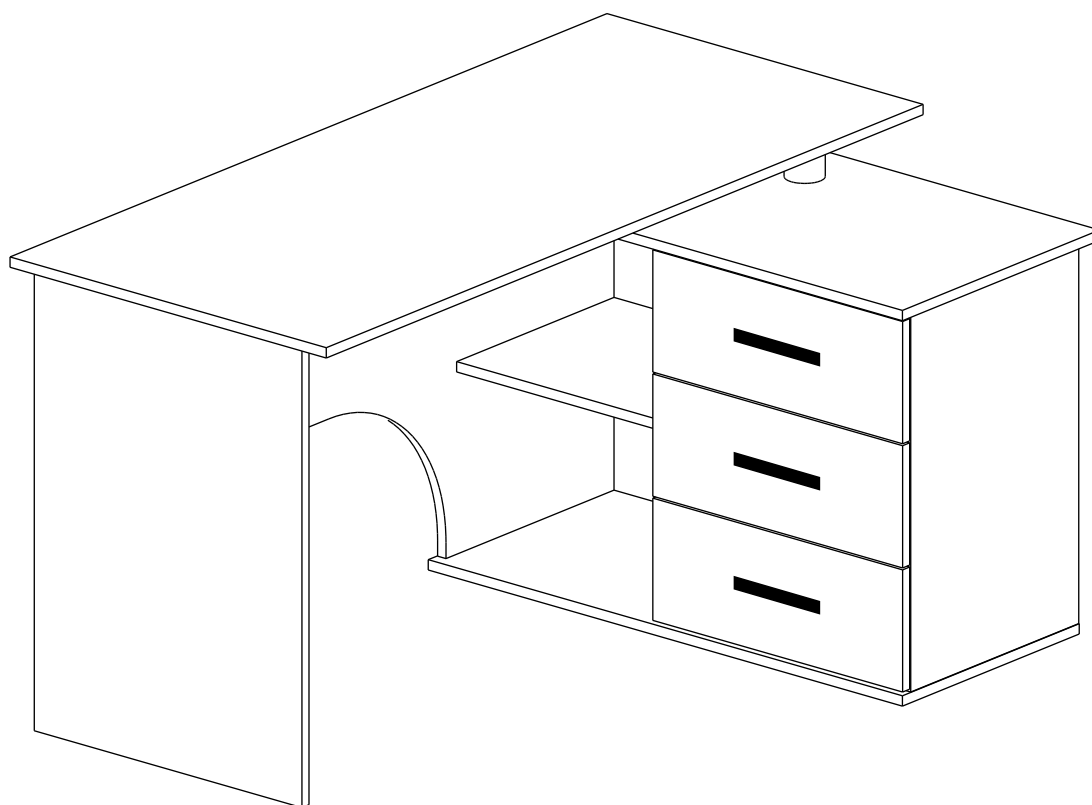
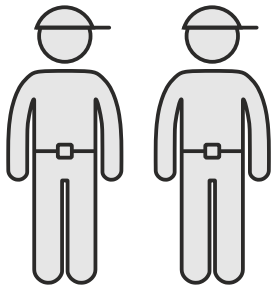


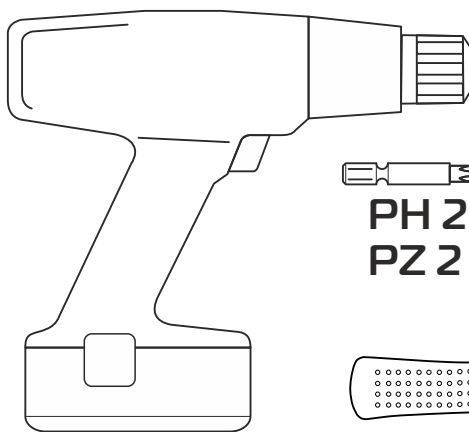
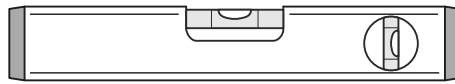
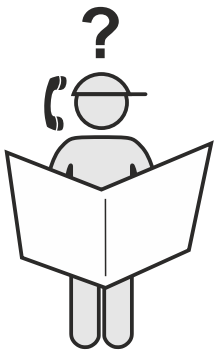
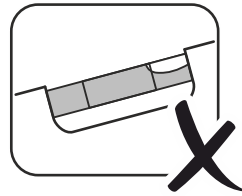
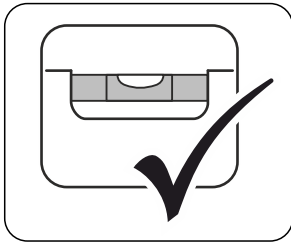
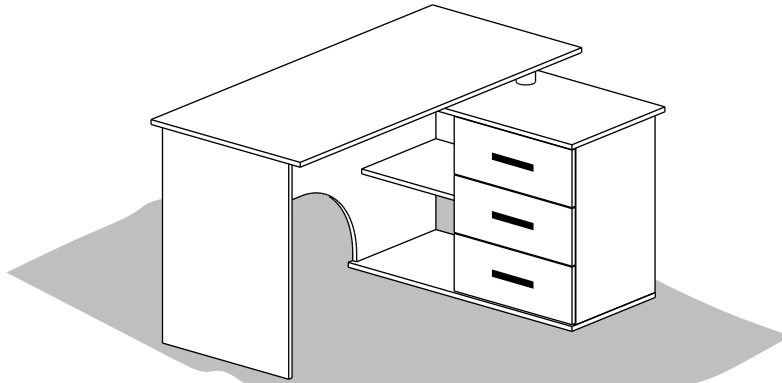
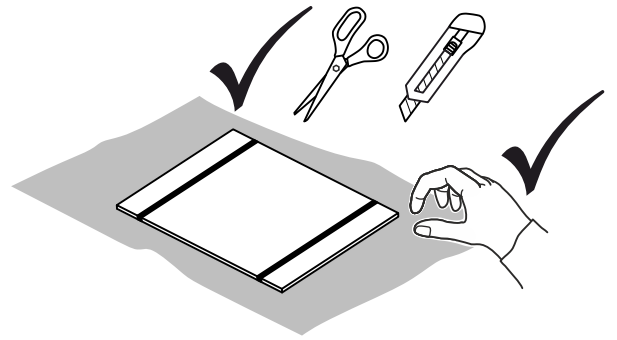
KCT-09 Пp

KST-09 R

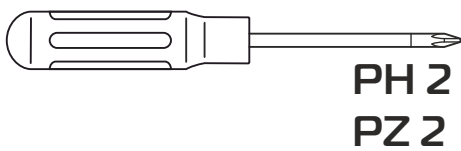
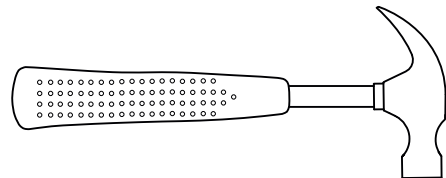
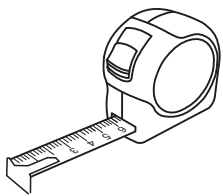




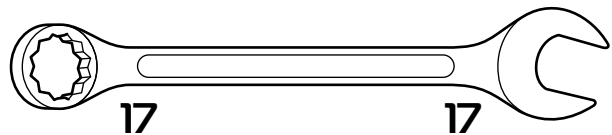
45-60 min



PH 2
PZ 2

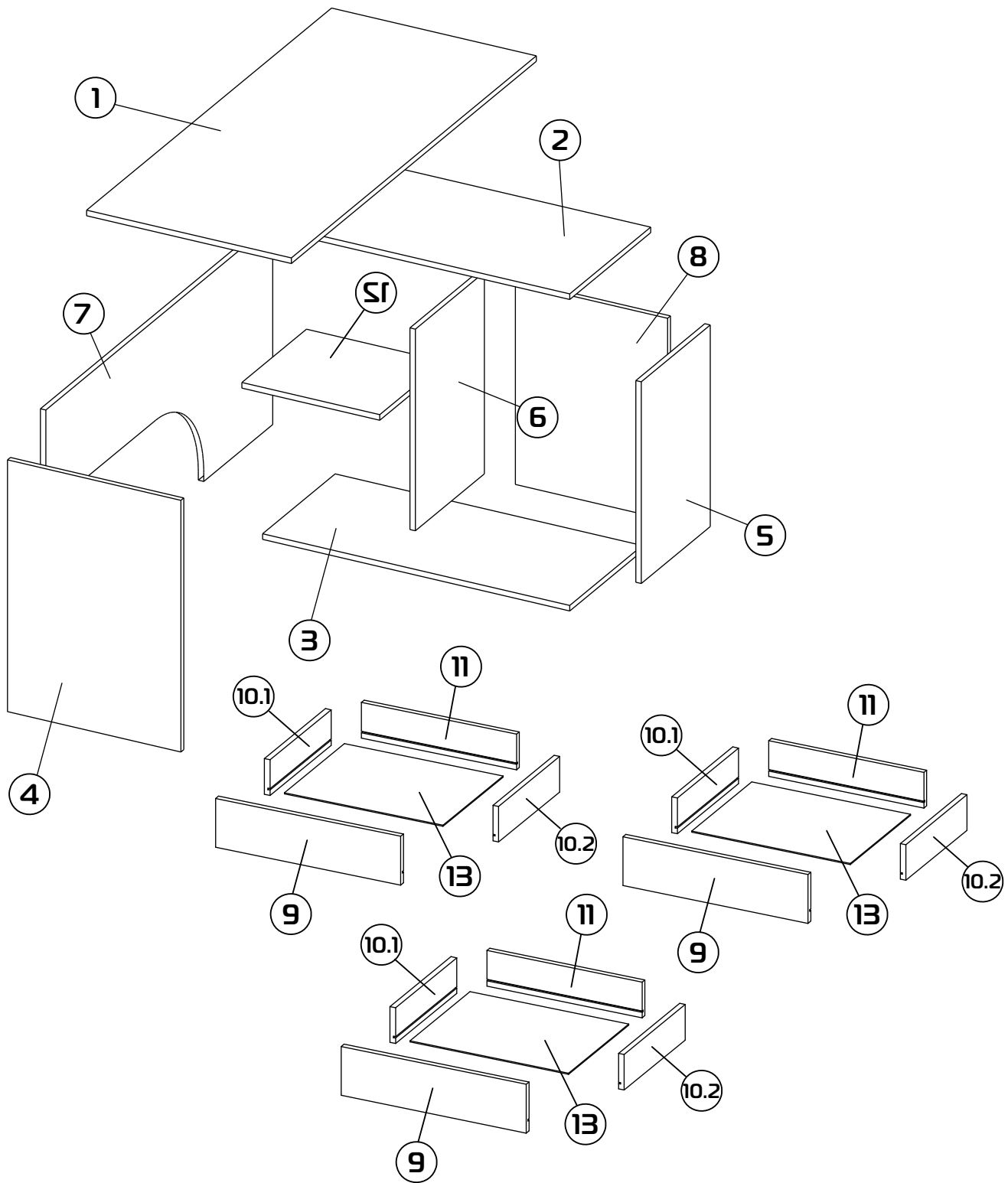


PH 2
PZ 2



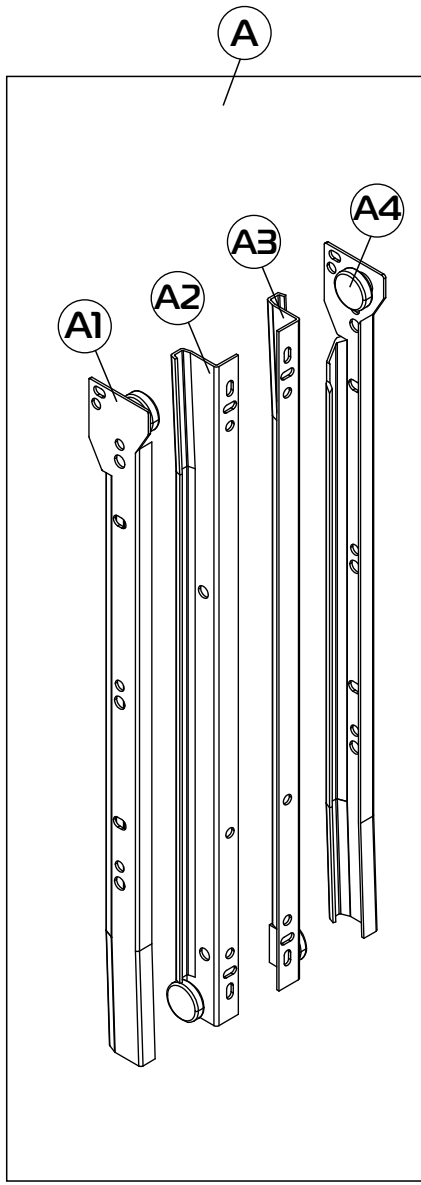
17

17



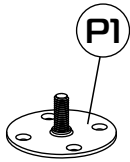
- | | | |
|--------------------|---------------------|---------------------|
| ① 1350x600x16 (x1) | ⑥ 580x380x16 (x1) | ⑩.2 350x146x16 (x3) |
| ② 900x446x16 (x1) | ⑦ 1250x580x16 (x1) | ⑪ 388x146x16 (x3) |
| ③ 900x400x16 (x1) | ⑧ 580x446x16 (x1) | ⑫ 404x356x16 (x1) |
| ④ 724x508x16 (x1) | ⑨ 474x189x16 (x3) | ⑬ 400x346x3 (x3) |
| ⑤ 580x380x16 (x1) | ⑩.1 350x146x16 (x3) | |

1:4

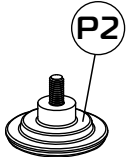


x3

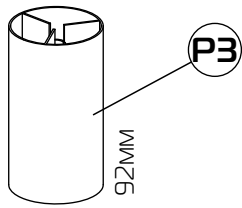
MWM05E



x2



x2

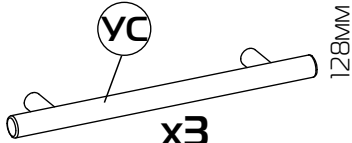


x2

92MM

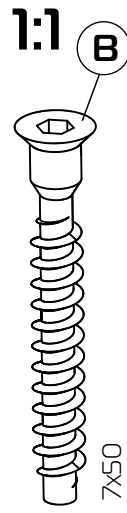


x5



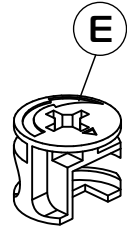
x3

18MM



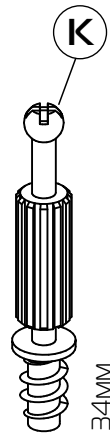
x21

5x50



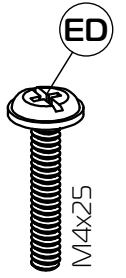
x19

15/11



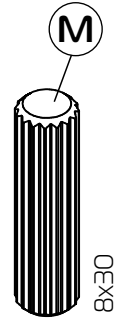
x19

4MM



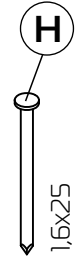
x6

M4x25



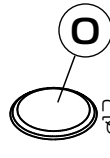
x14

8x30



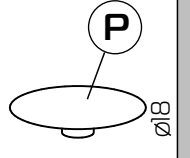
x5

1.6x25



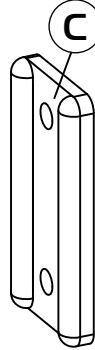
x21

12

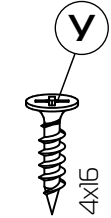


x19

8



x2



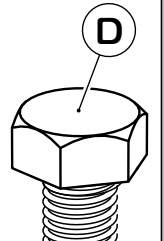
x33

4x16



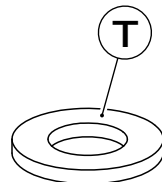
x5

2MM



x2

09x101MM



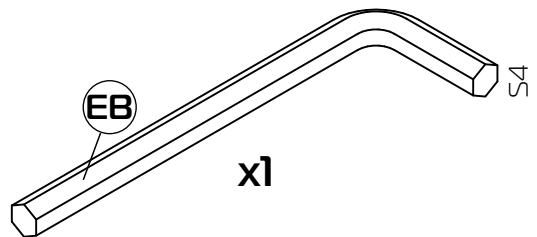
x2

10.5x20



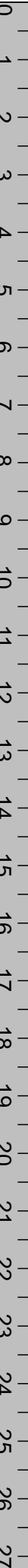
x6

2x4

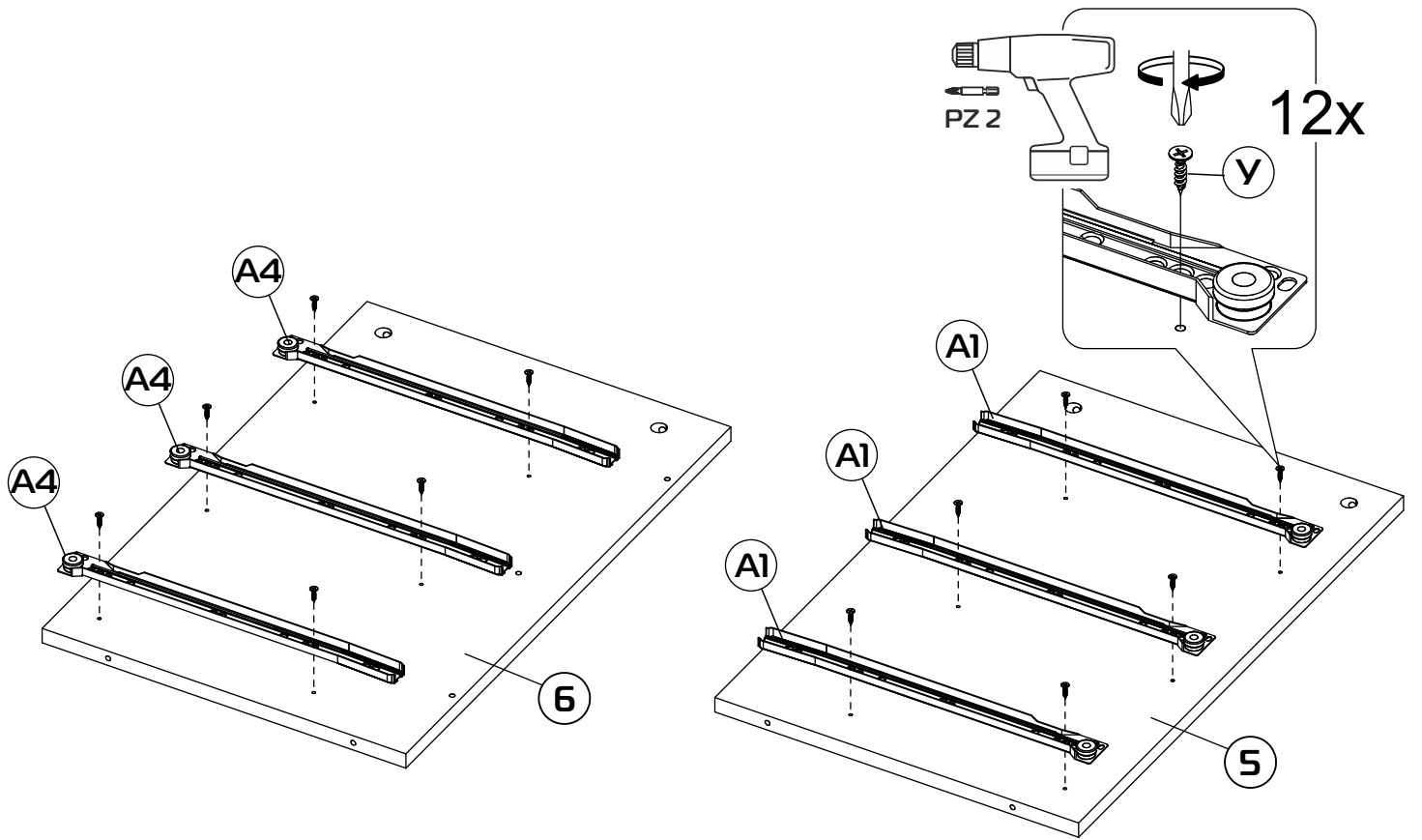


x1

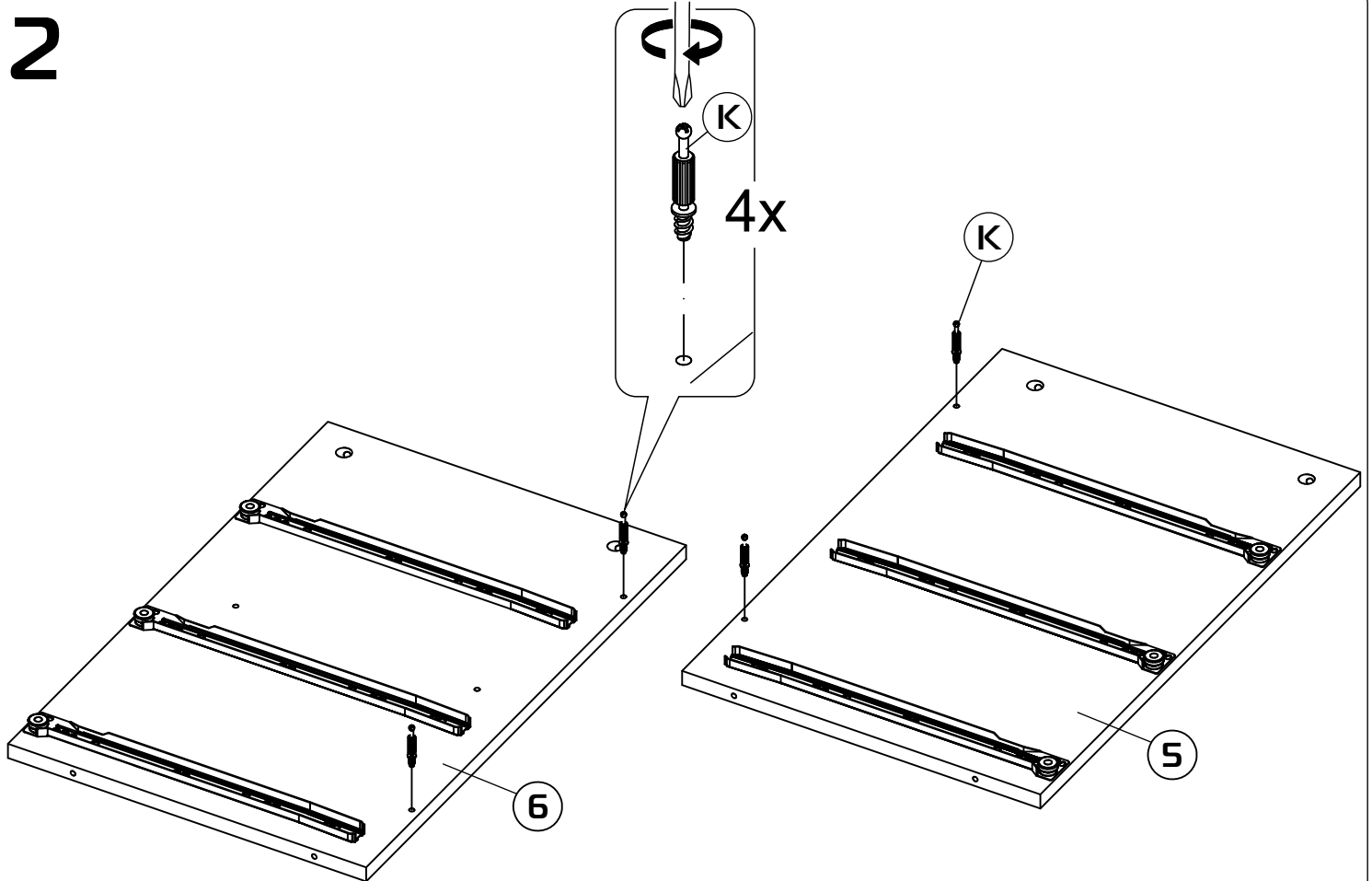
4



1

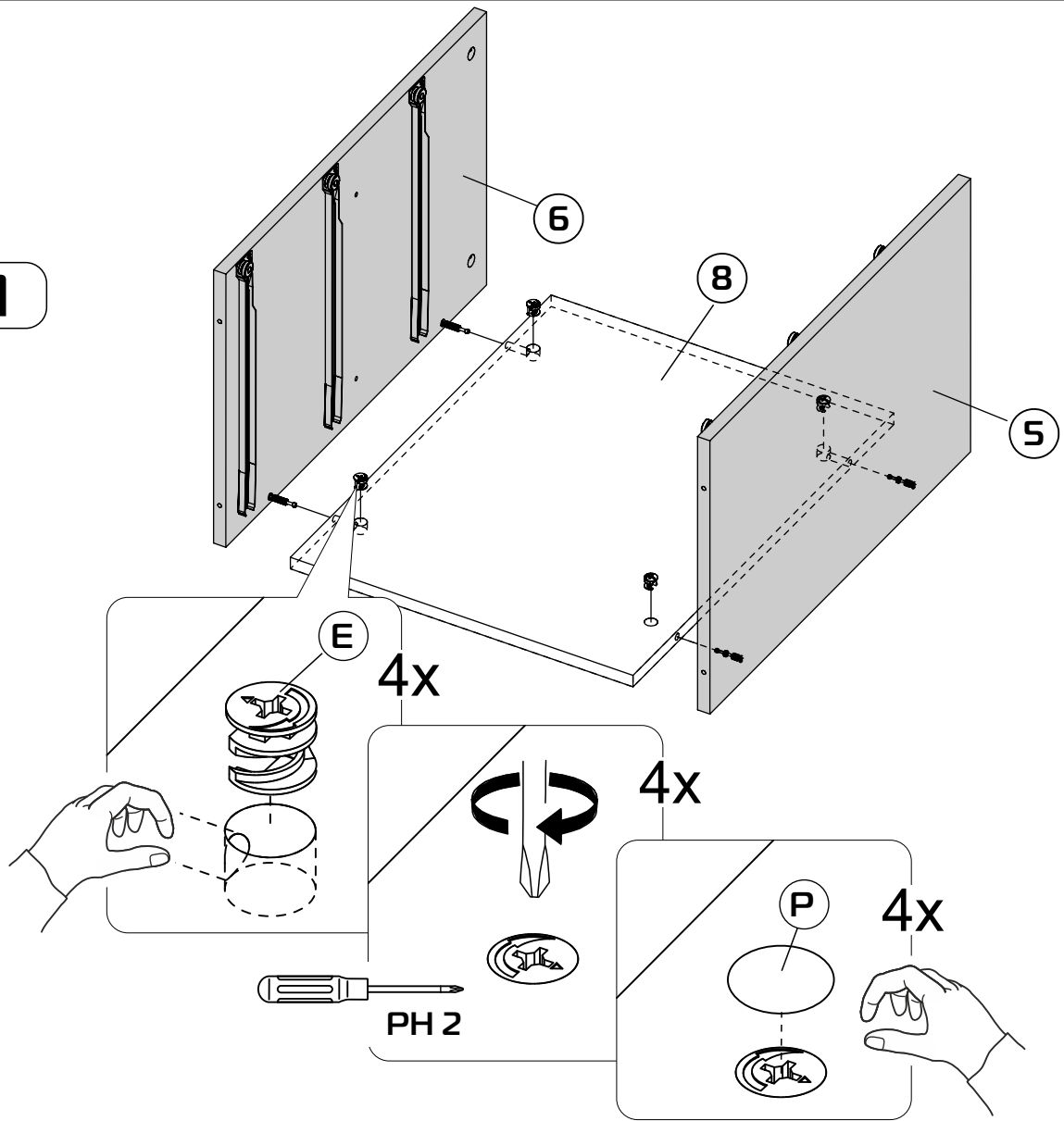


2

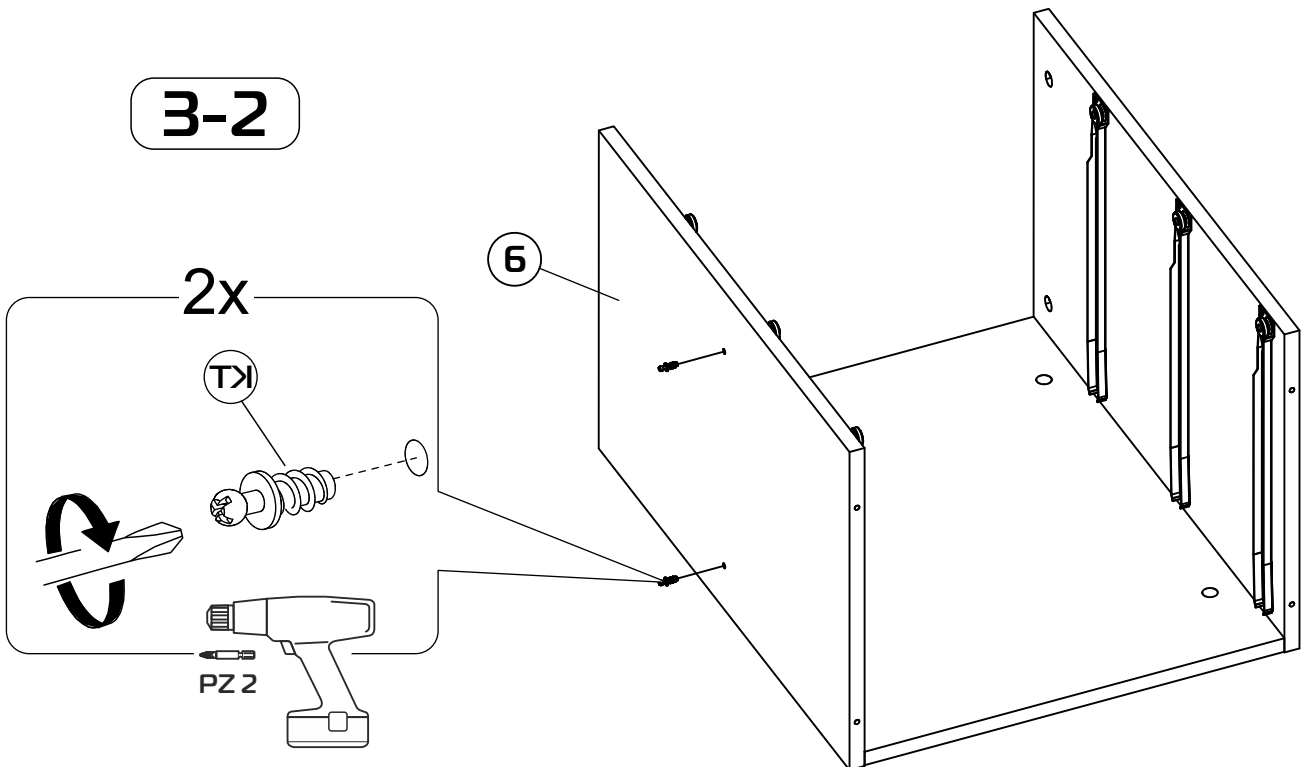


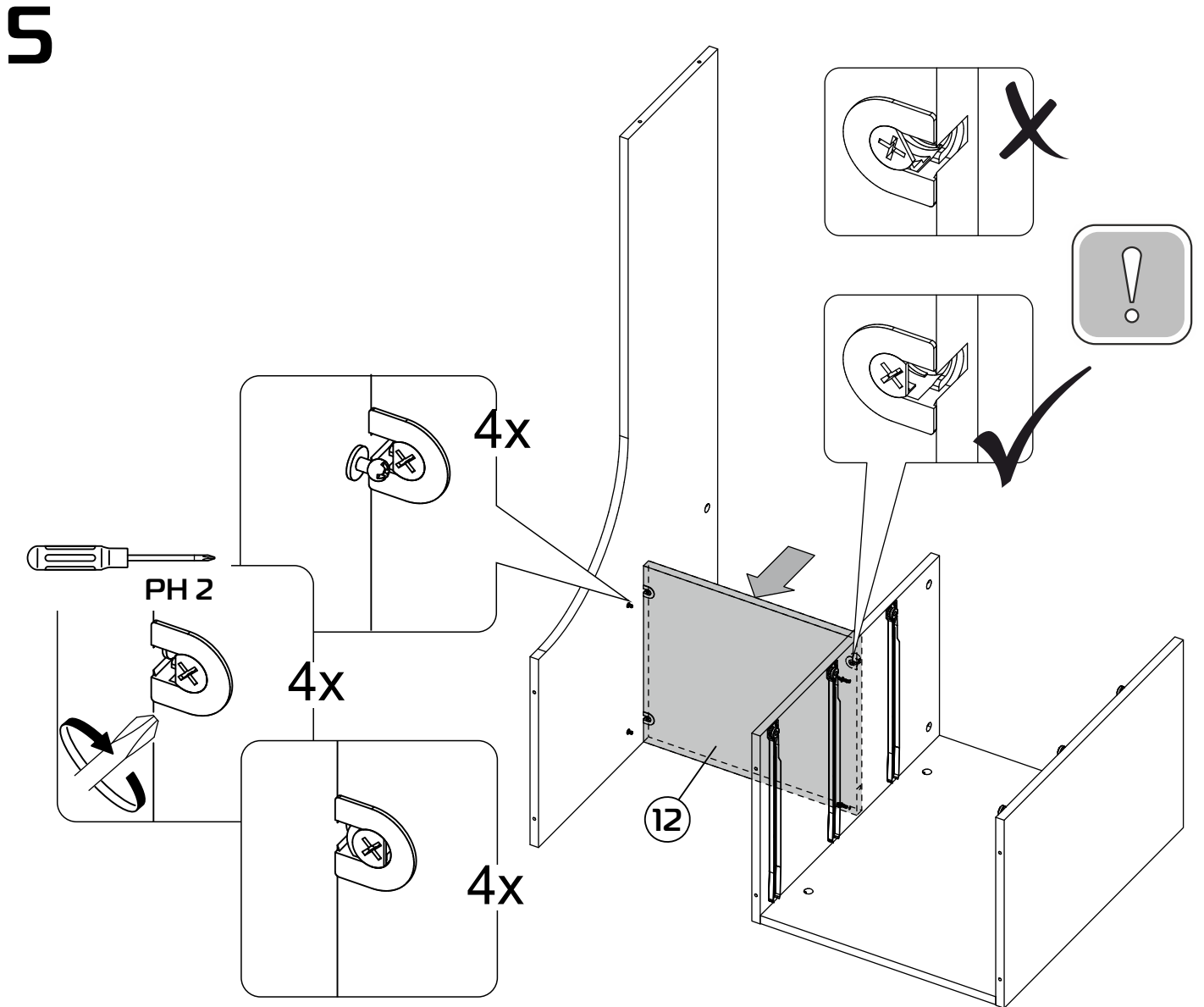
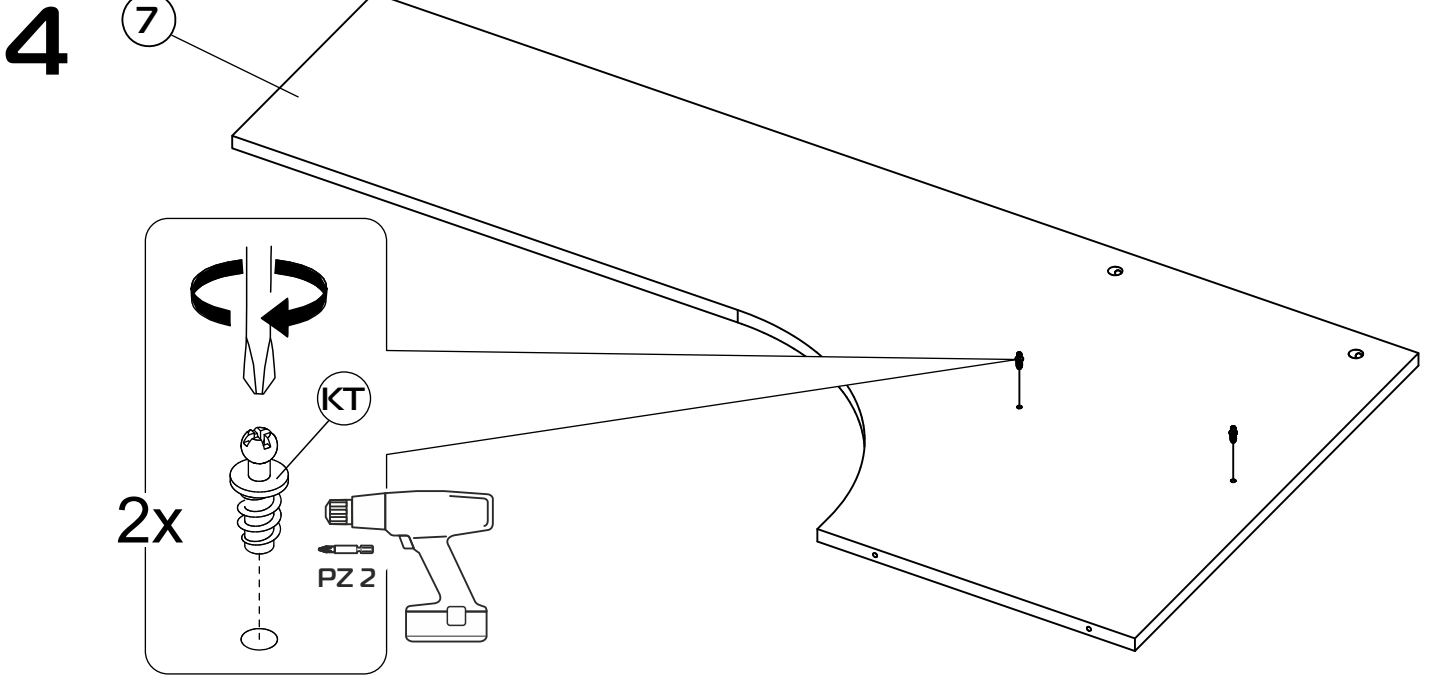
3

3-1

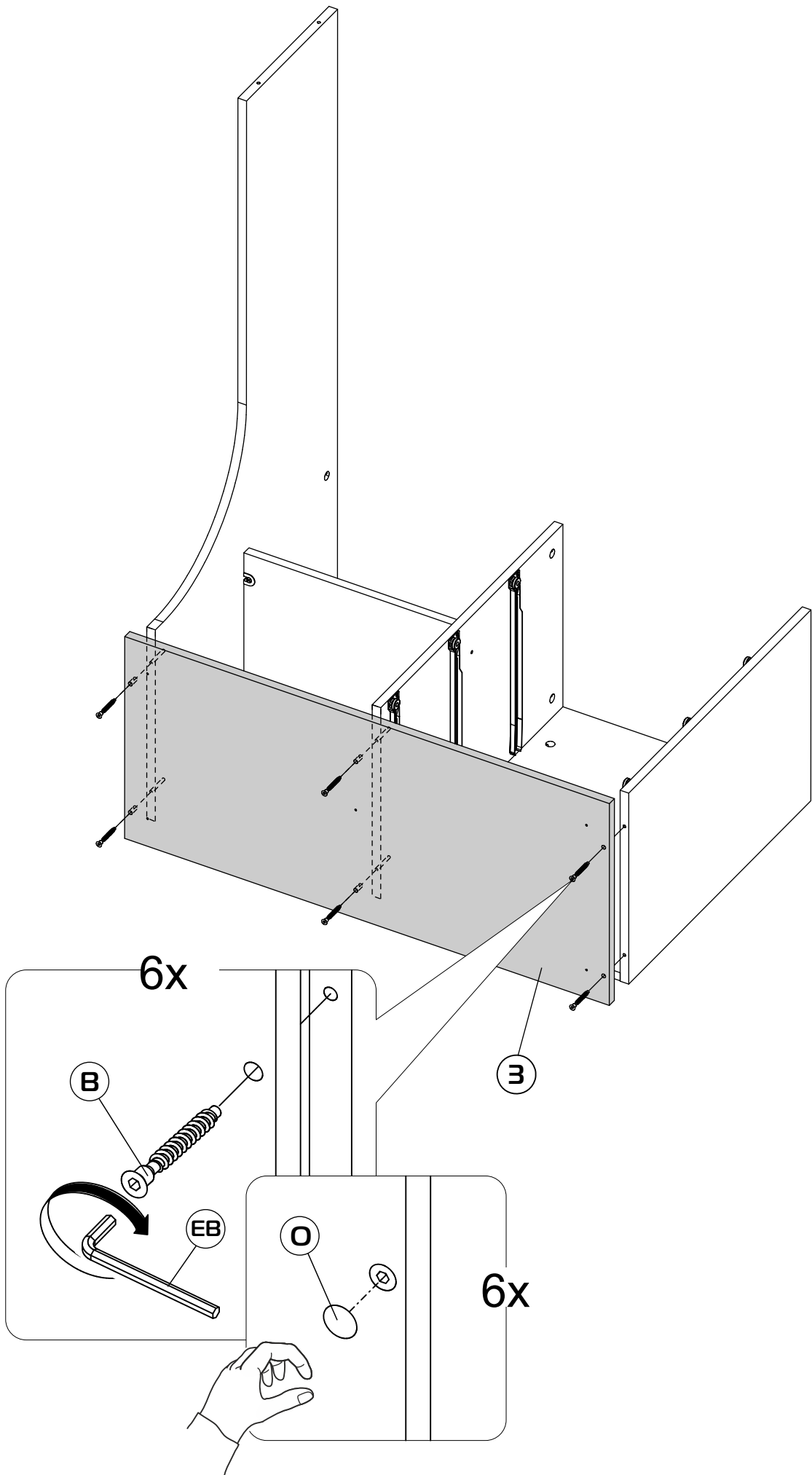


3-2

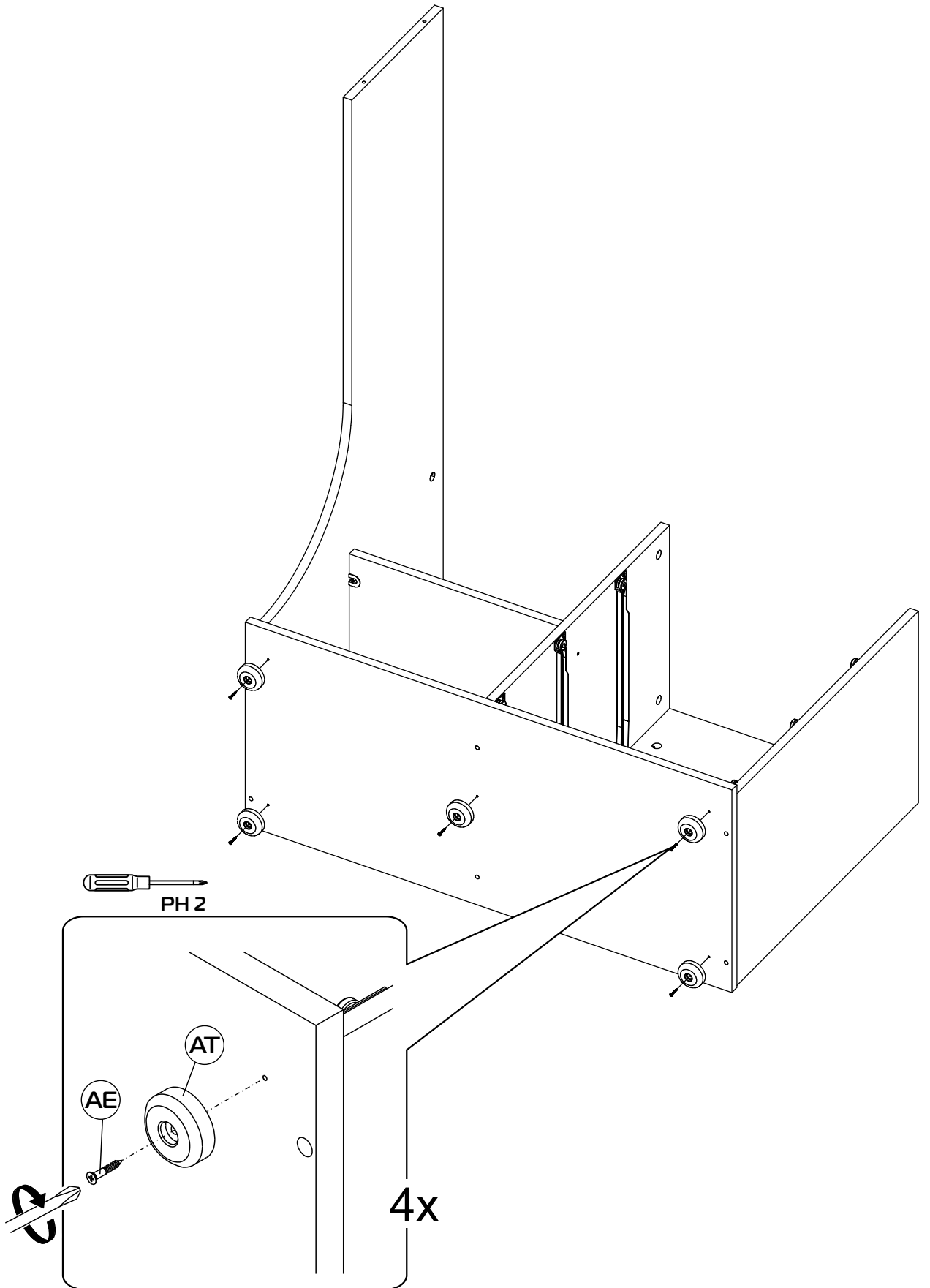


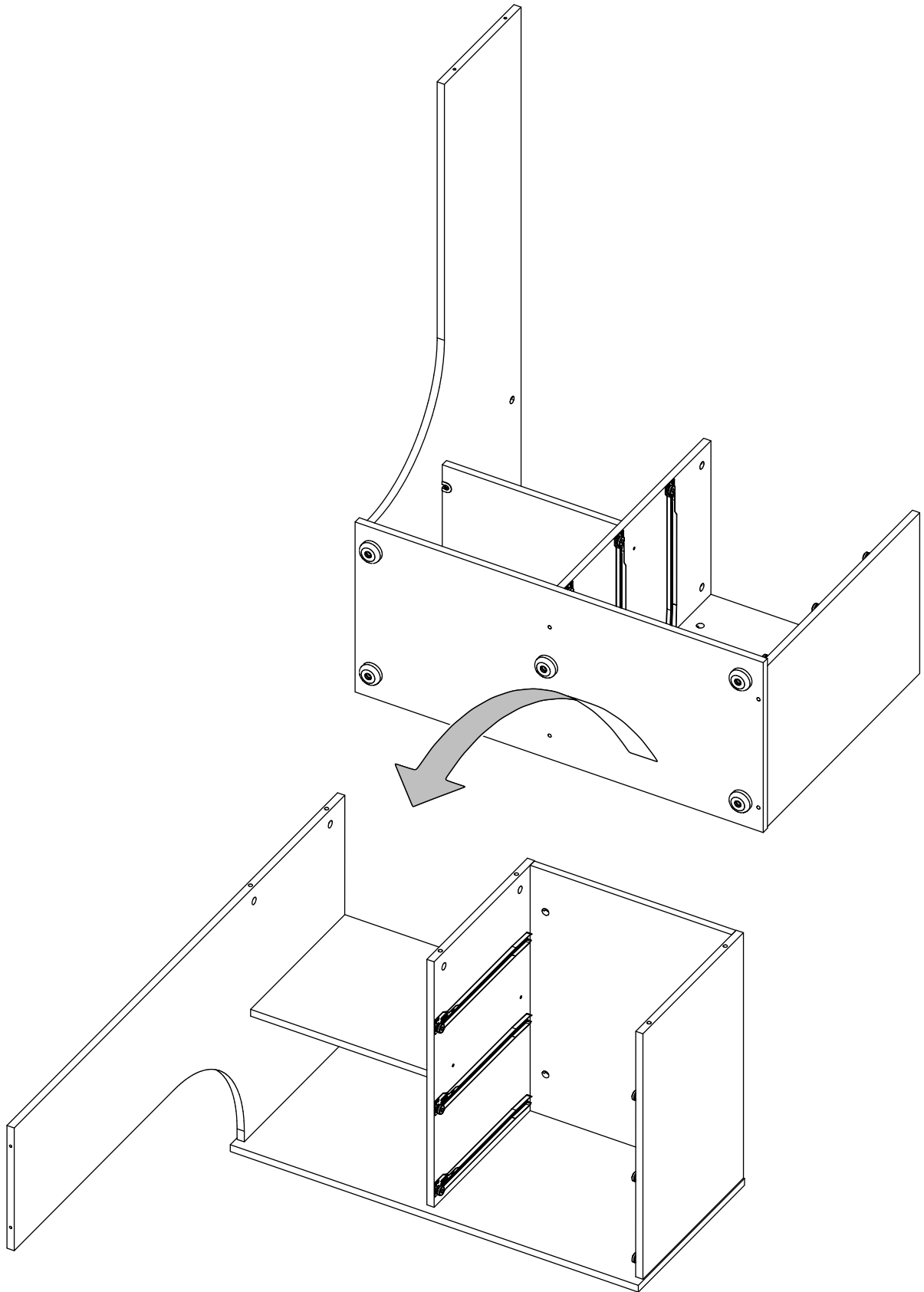


6

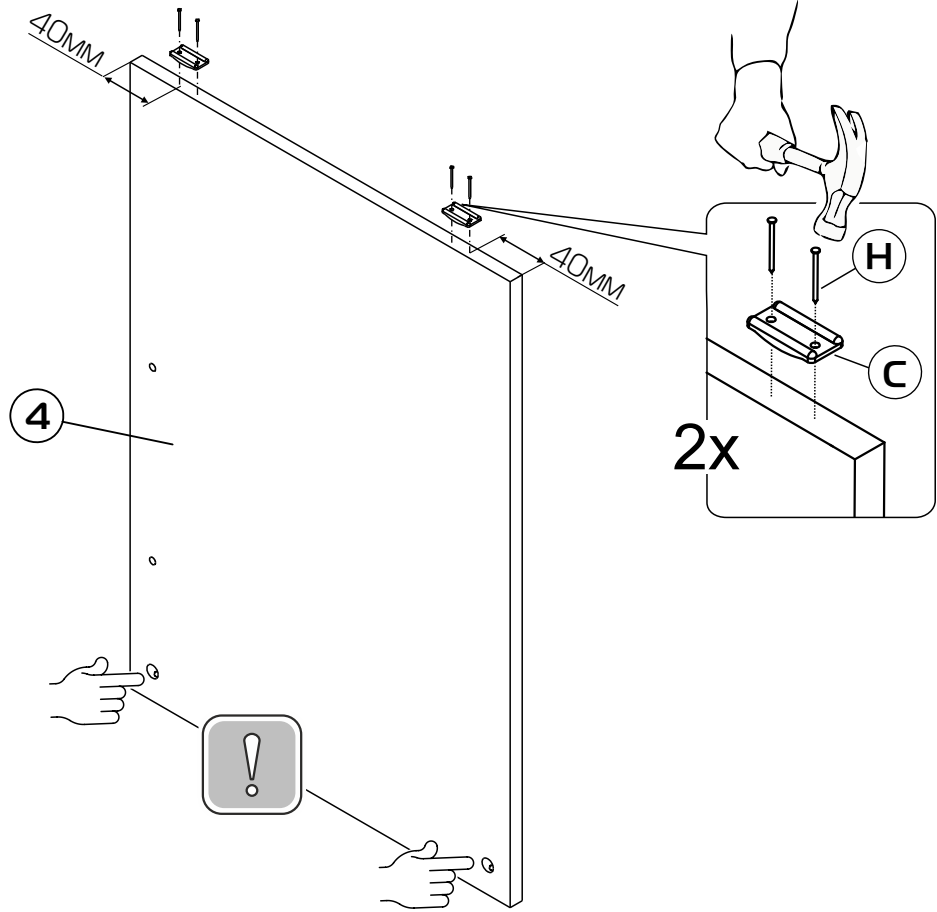


7

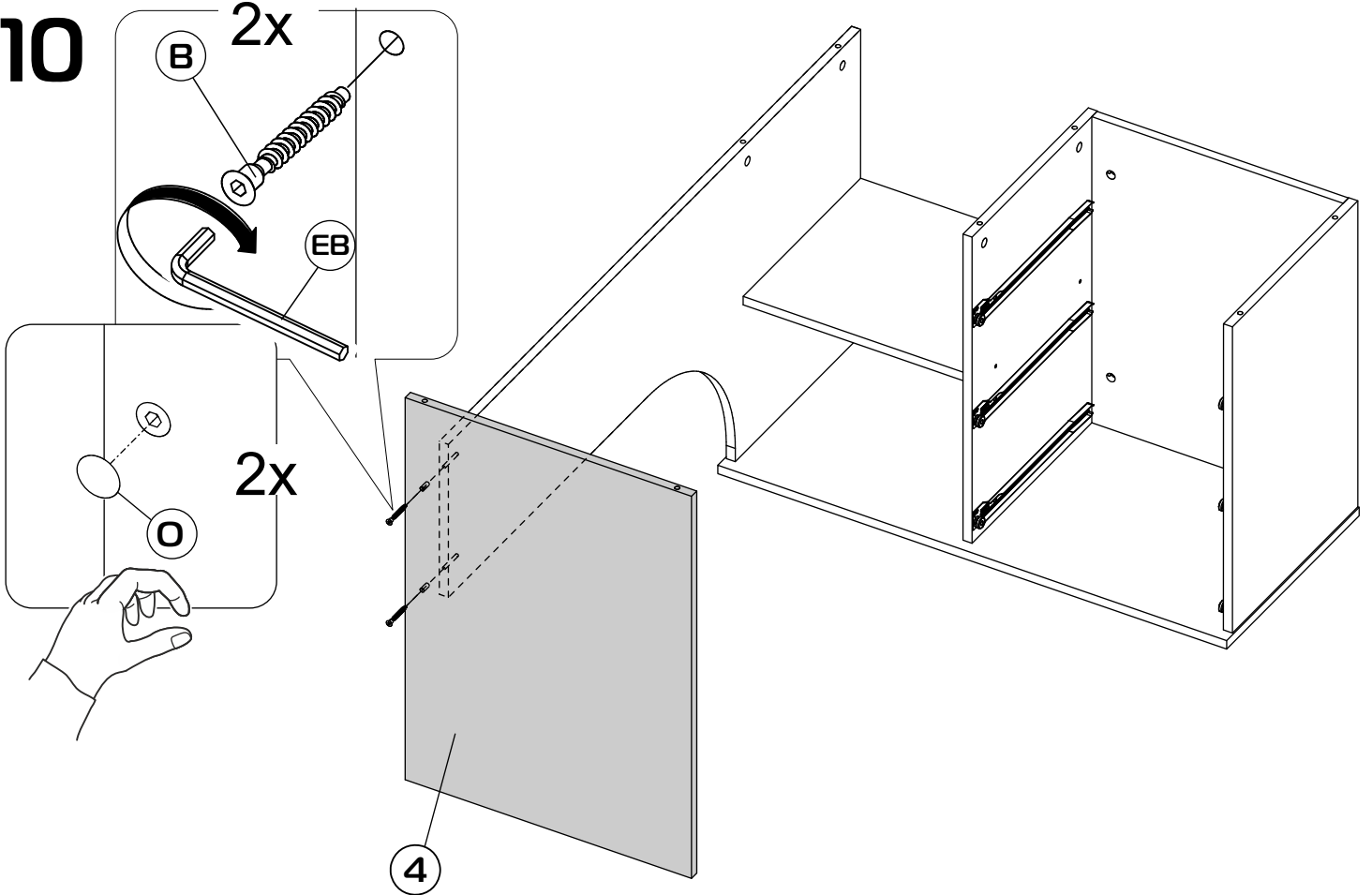




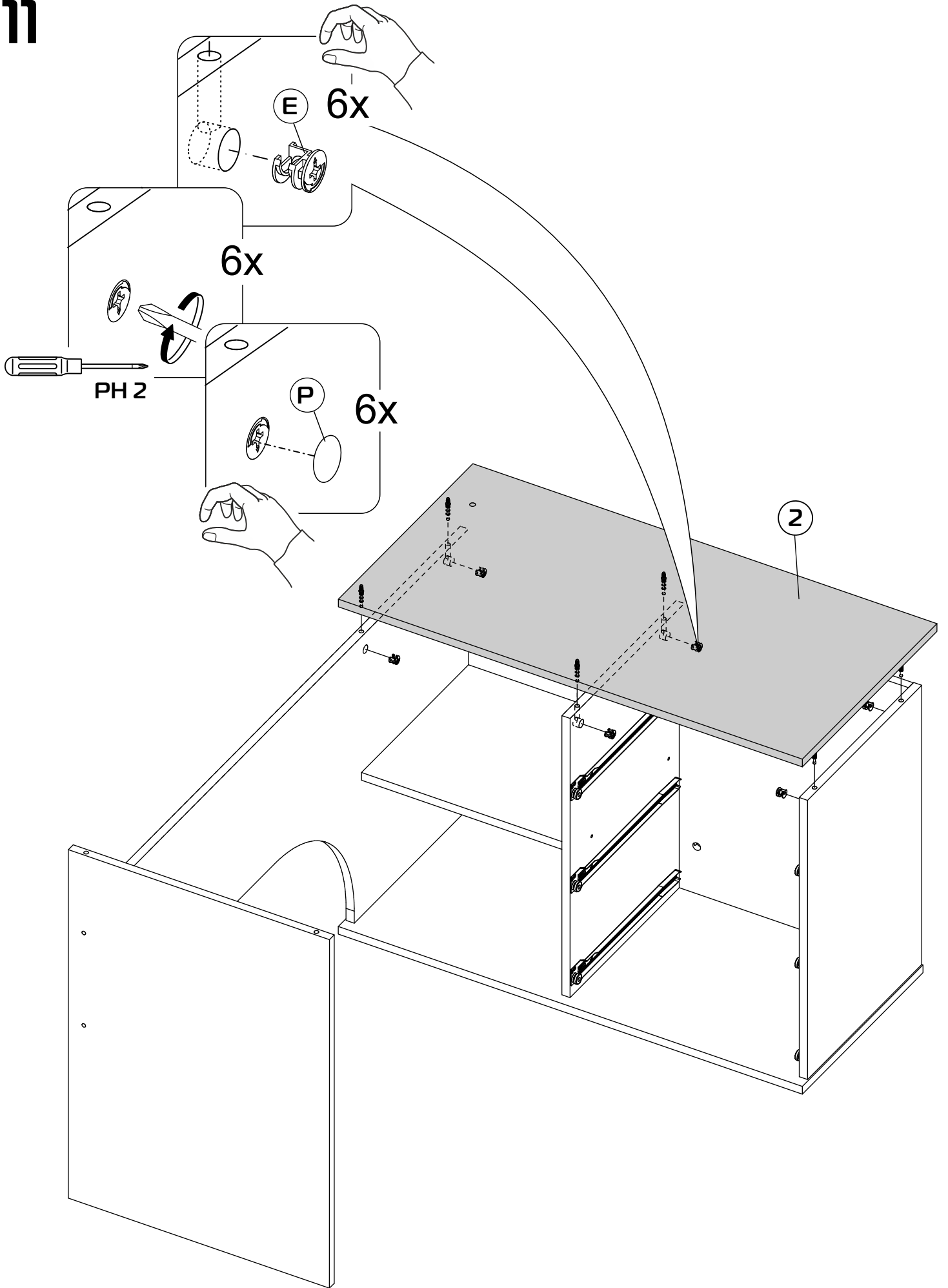
9



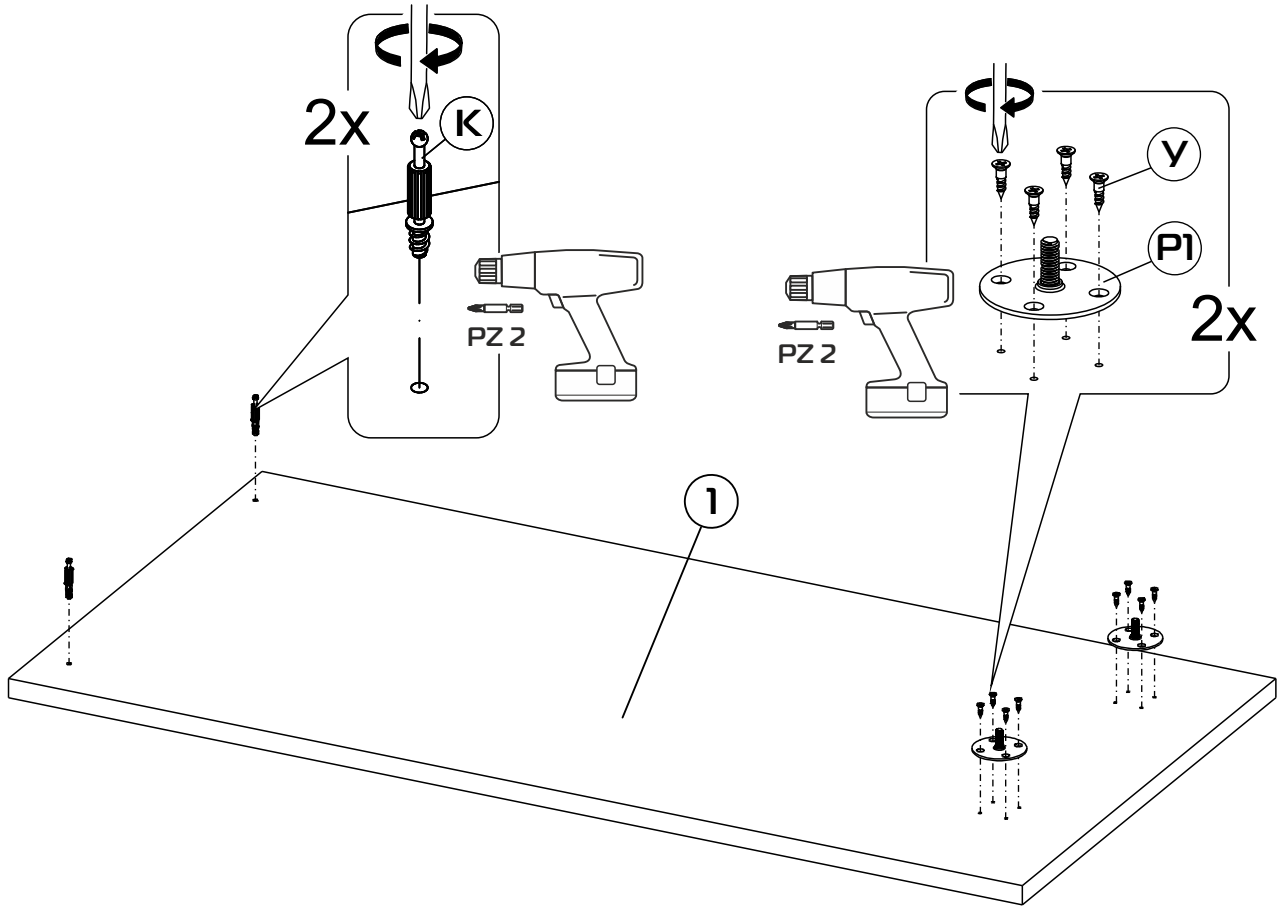
10



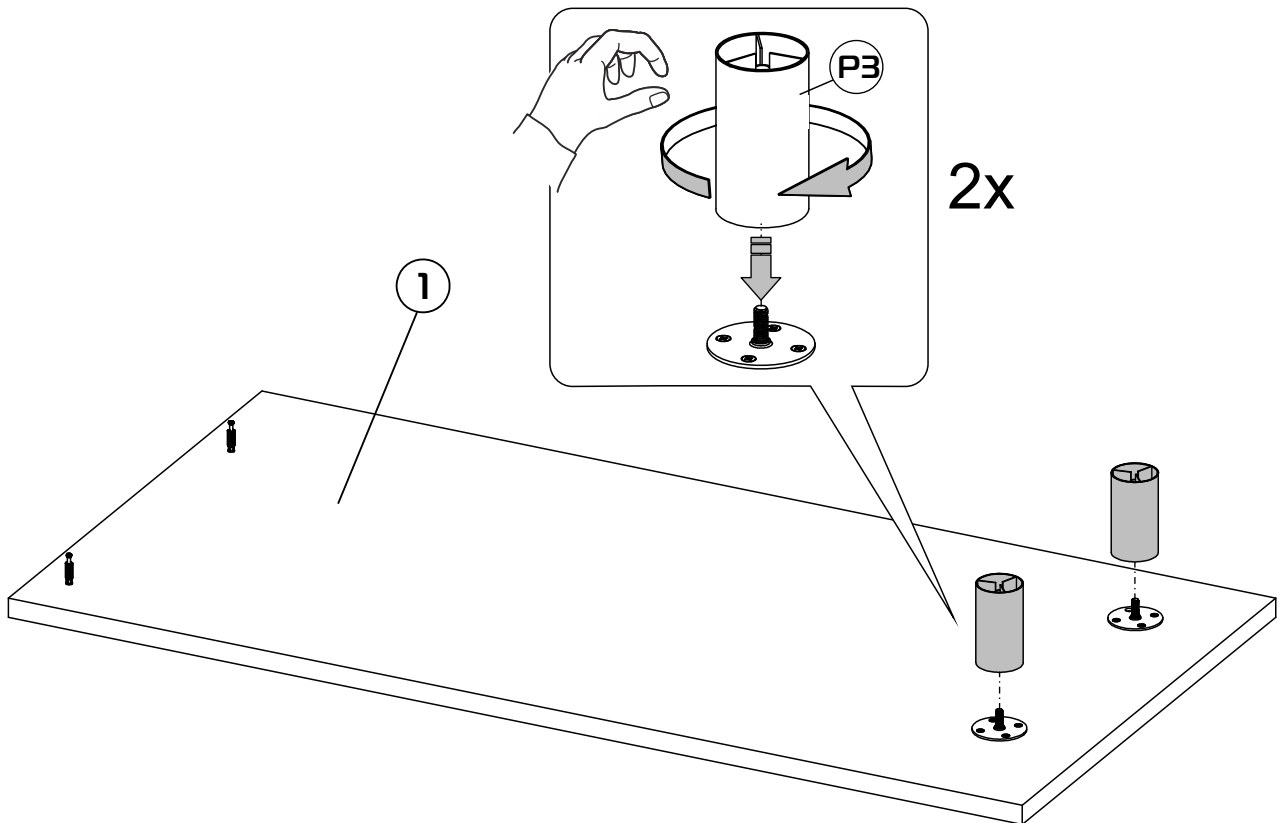
11



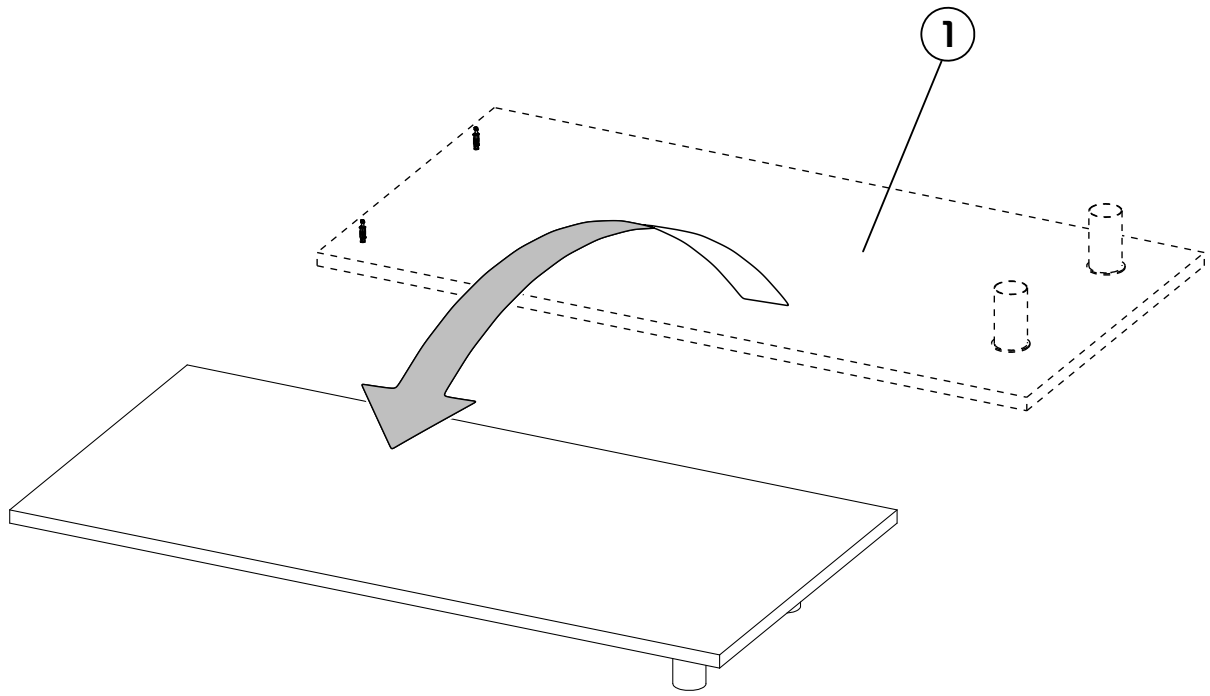
12



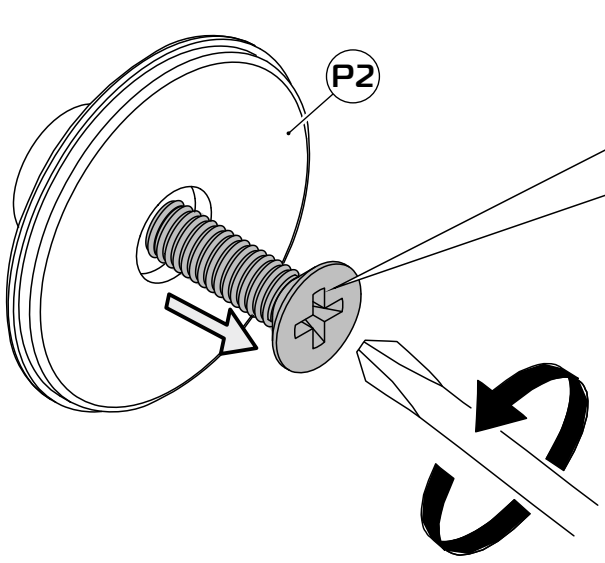
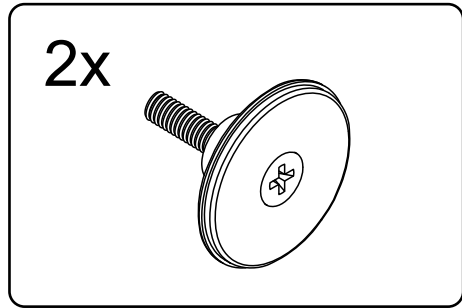
13



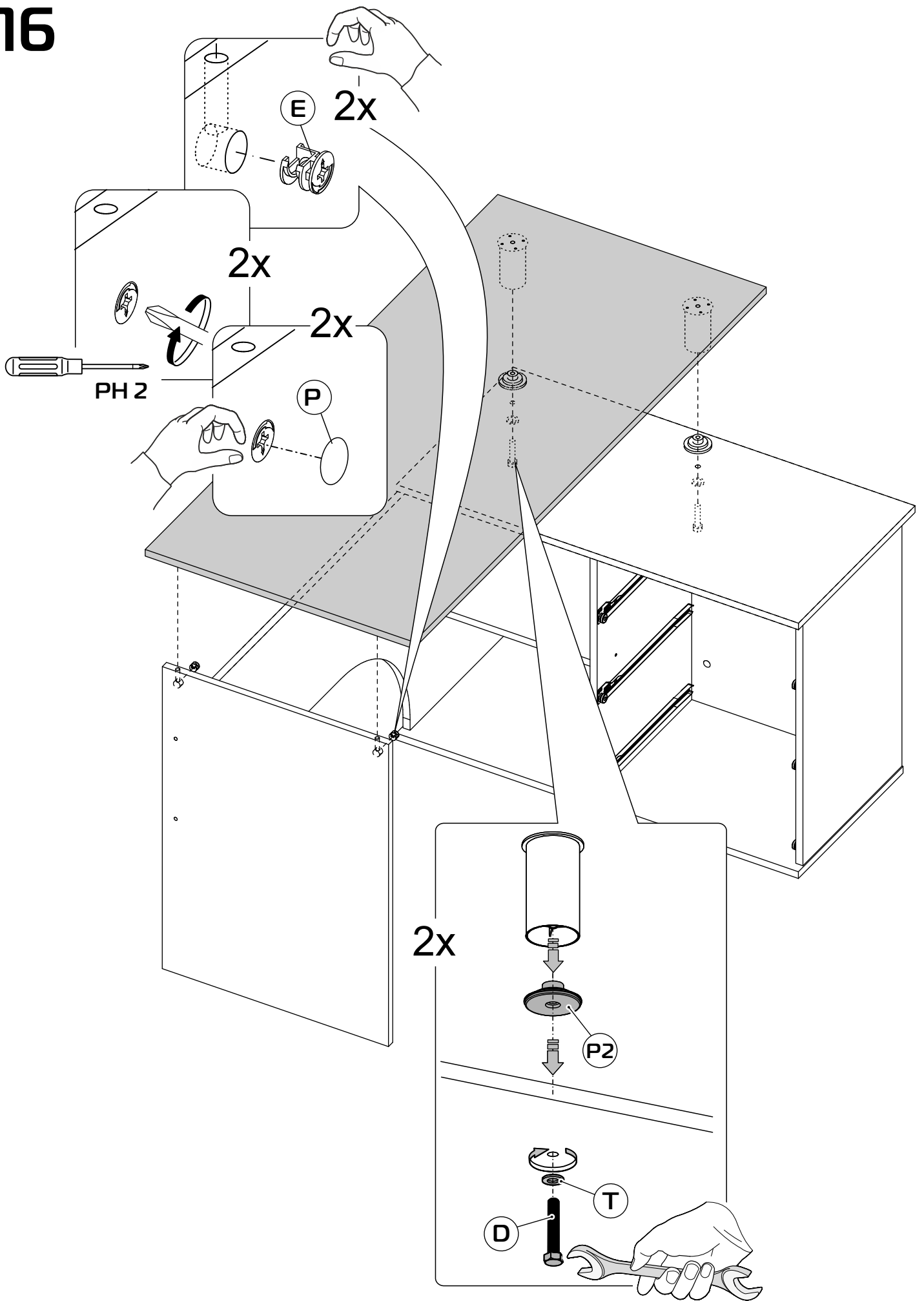
14



15

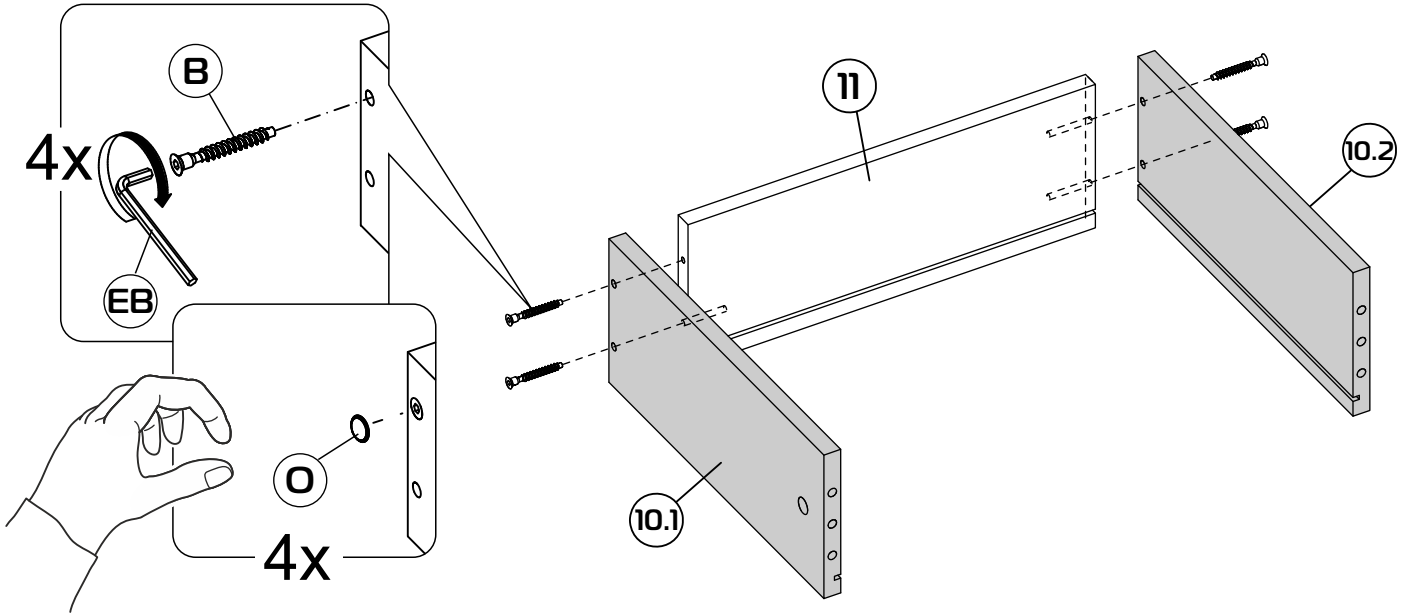
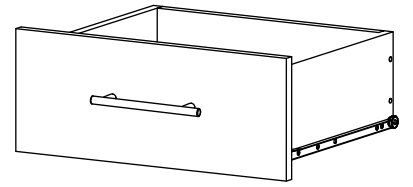


16



17

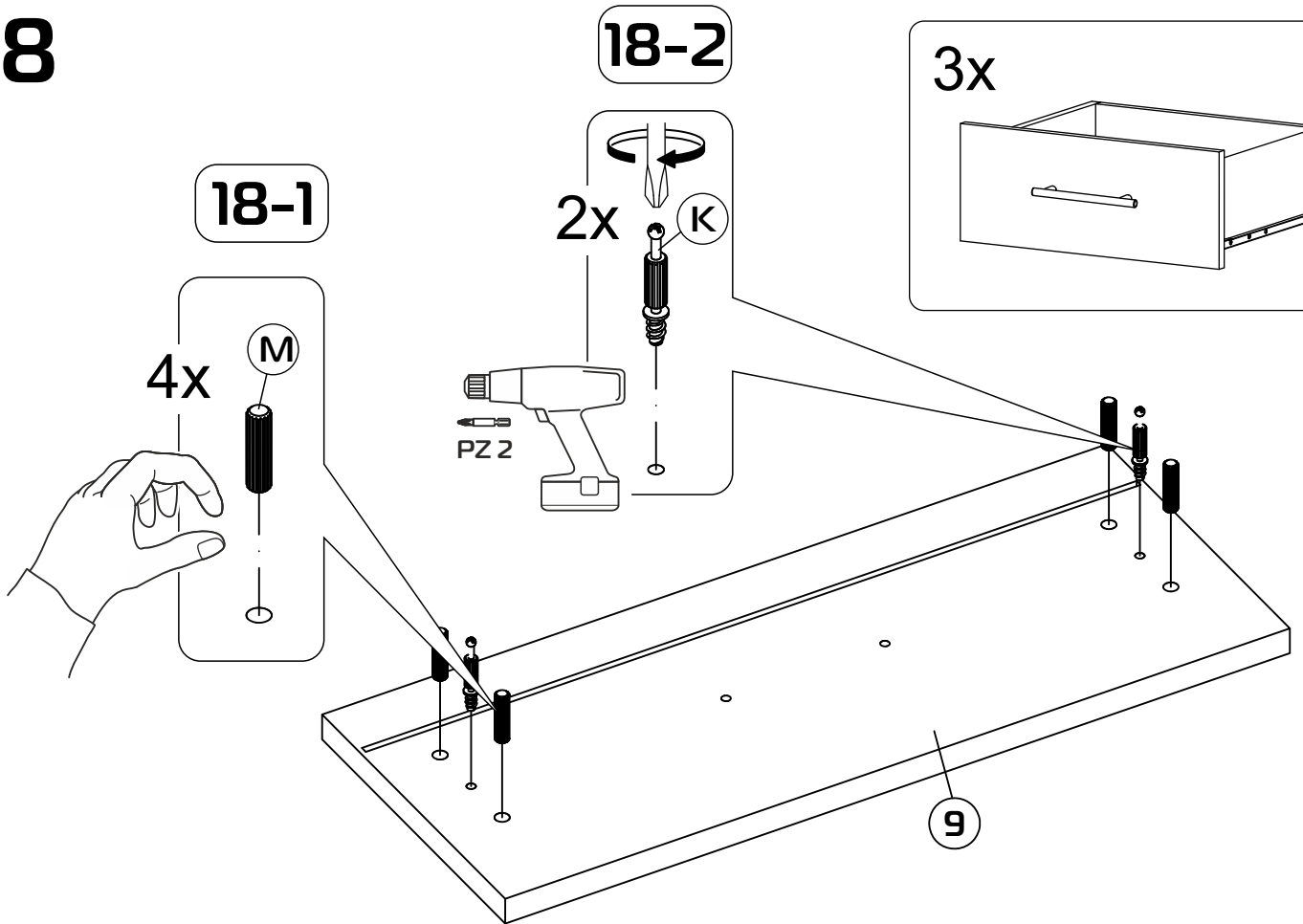
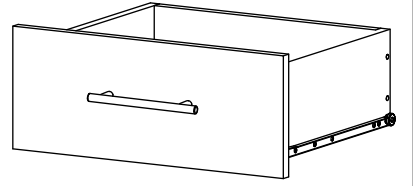
3x



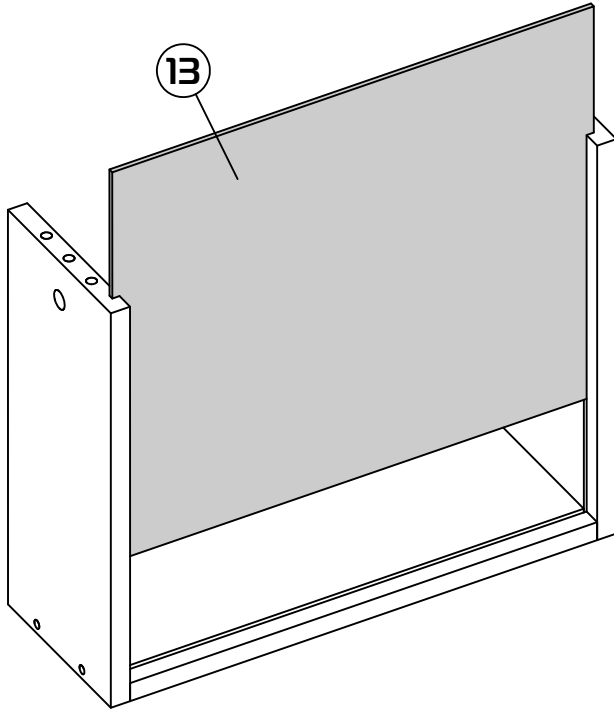
18

18-2

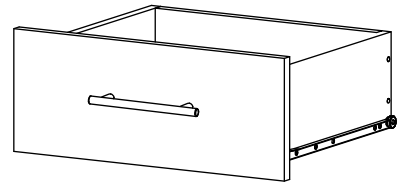
3x



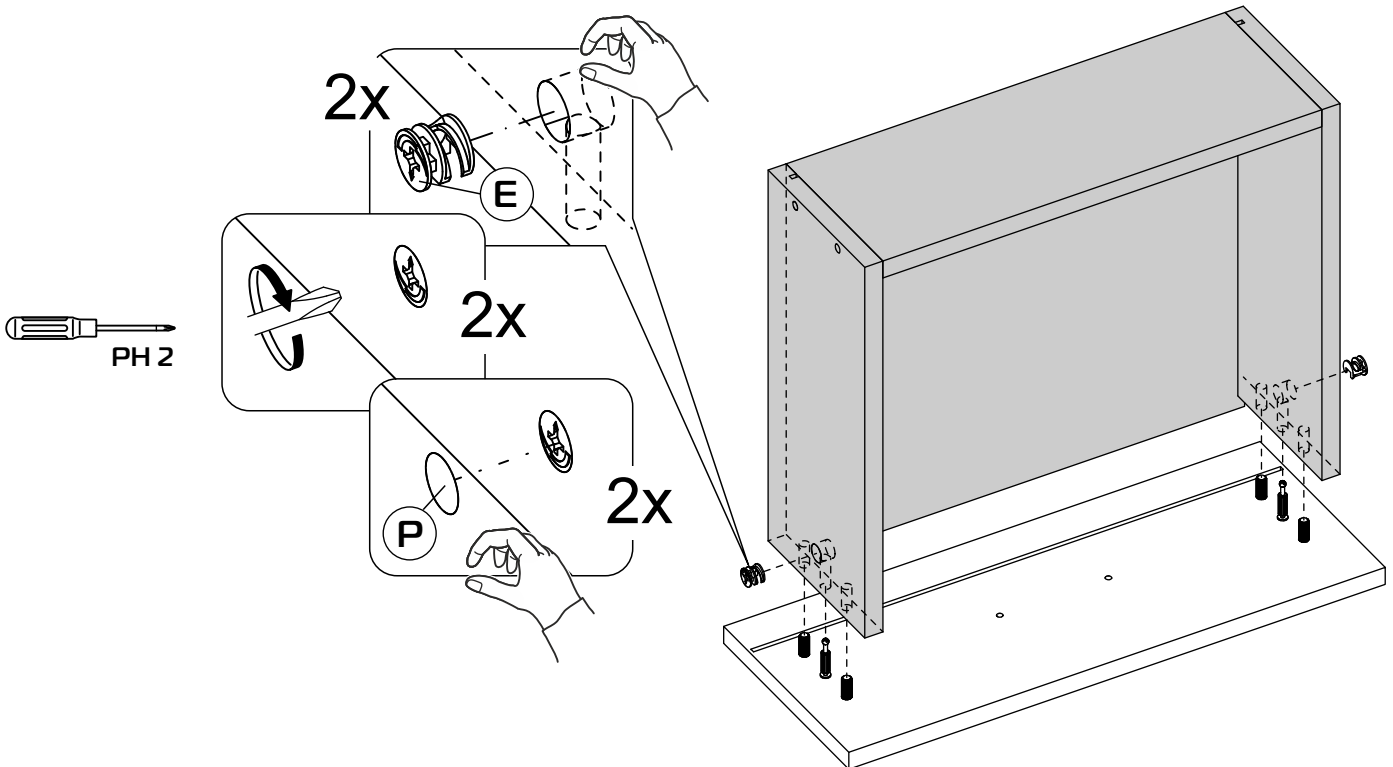
19



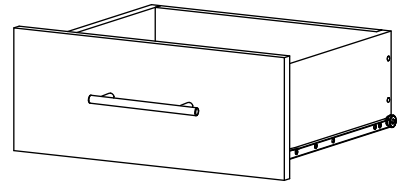
3x



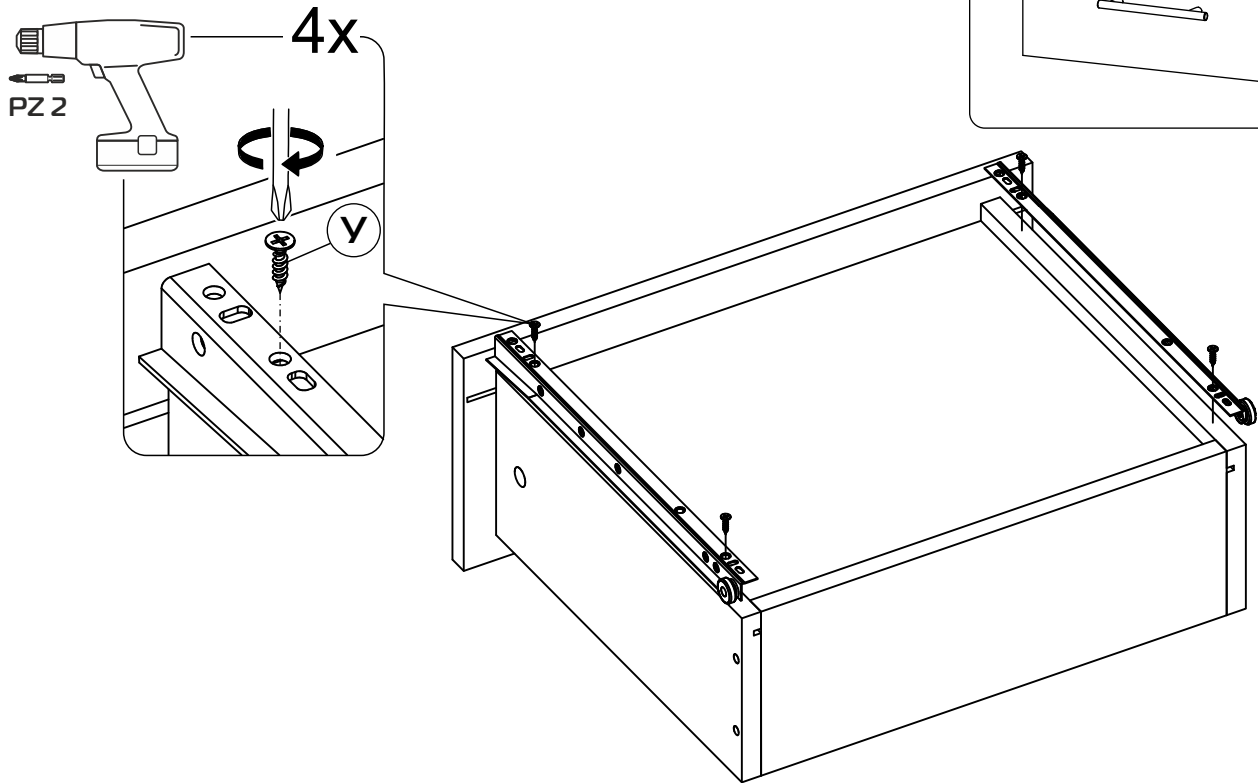
20



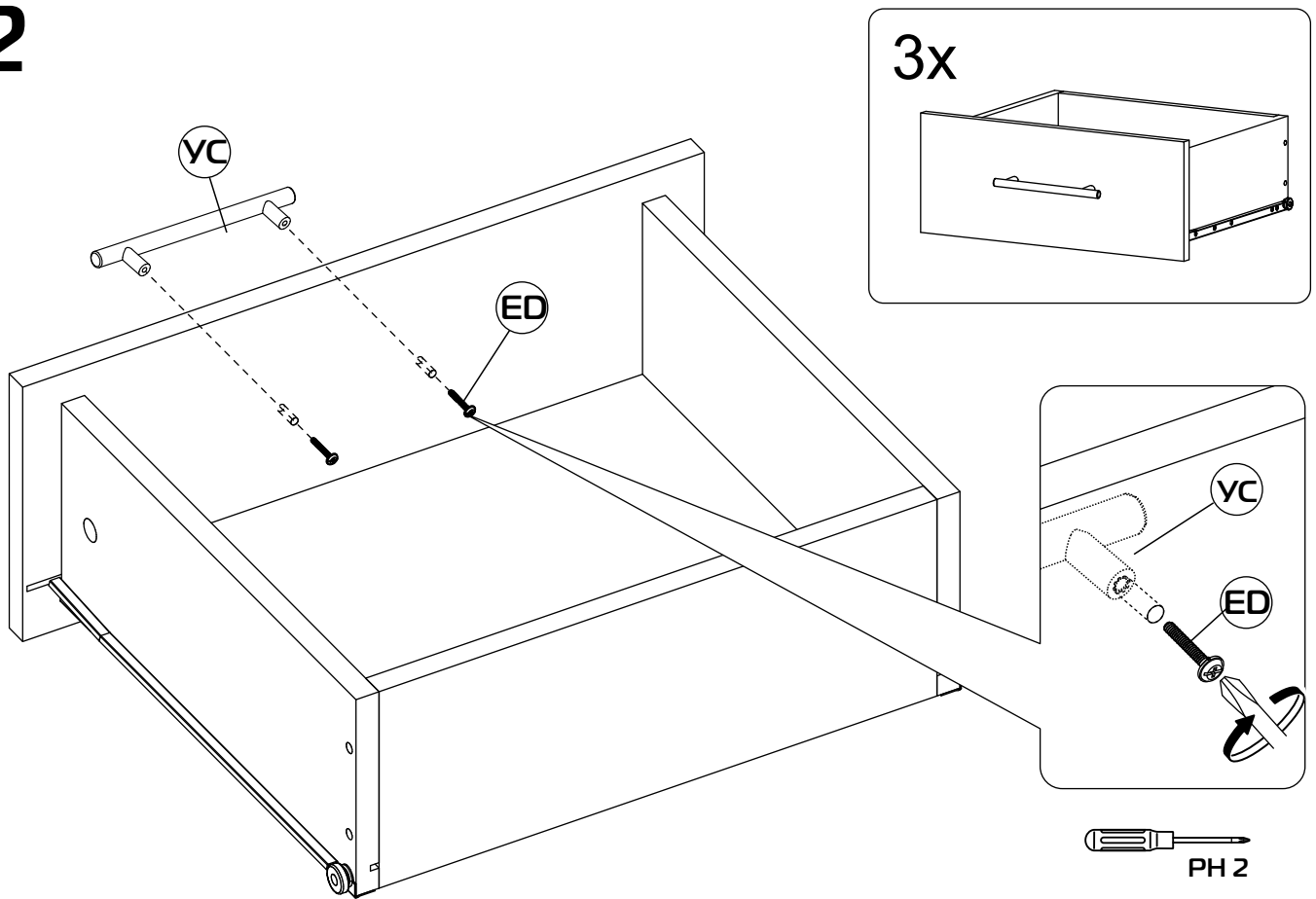
3x



21



22



23

