

oursson 

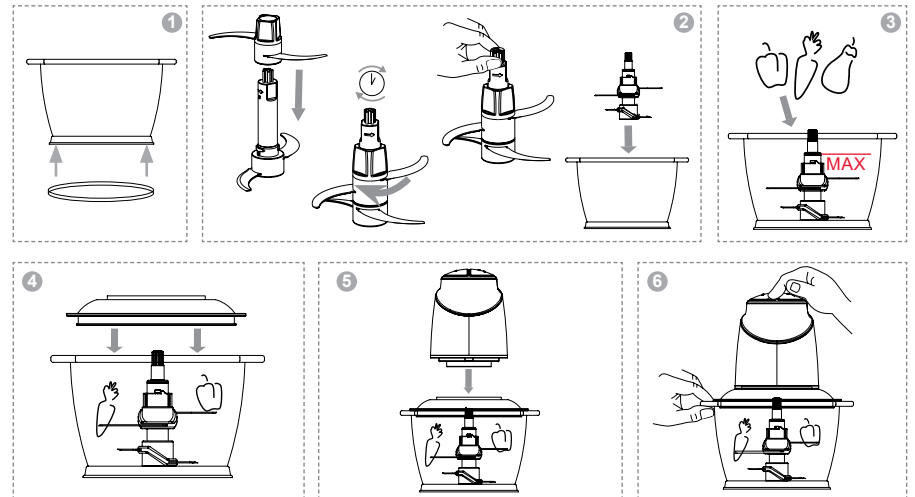
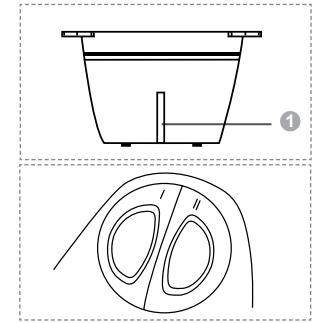
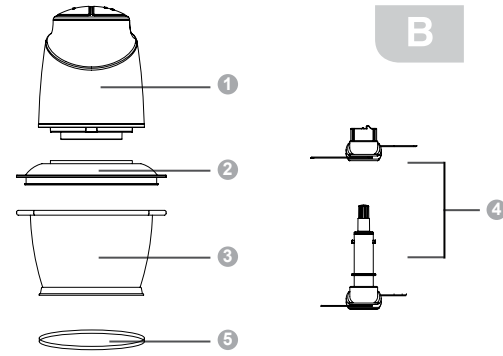
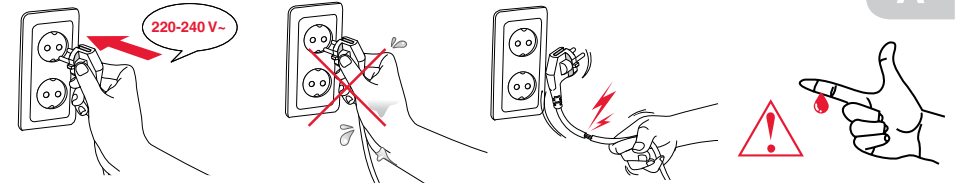
bon appétit



CH2010

EN Instruction manual

RU Руководство по эксплуатации



	✓	✓	✓
	✗	✗	✓

SAFETY INSTRUCTIONS, Pic. A



Danger symbol

A reminder to user about high voltage.



Warning symbol

A reminder to user about the necessity of operating exactly according to the instructions.

When using electrical appliances should take the following precautions:

- Use the device according to the following instructions manual.
- Install the device on a stable surface.
- Use only the tools, which are included in the product set.



To protect against risk of electrical shock do not put the cord in water or other liquid. If for some reason the water got into the unit, contact an authorized service center (ASC) OURSSON AG.

- For power supply, use a power grid with proper characteristics.
- Do not use the device in areas where the air can contain vapors of flammable substances.
 - Never attempt to open the device by yourself – it could possibly be the reason of an electrical shock can lead to product malfunction and will invalidate the manufacturer's warranty. For repair and maintenance, contact only authorized service centers meant for repair of products under the trademark OURSSON.



- When moved from a cool to a warm place and vice versa unpack it before use and wait 1-2 hours without turning it on.



- In order to prevent electrical shock do not immerse the entire product or the wires into the water.
- Be particularly careful and cautious when using the device near children.
- Do not touch any hot parts, as this may cause injury.
- The power cord is specially made relatively short in order to avoid the risk of injury.
- Do not allow the cord to hang over the sharp edge of the table or touch hot surfaces.
- Do not connect this device to a grid which is overloaded with other appliances: it can lead to the fact that the device will not function properly.
- Do not install the device near gas and electric stoves and ovens.
- After use, make sure to disconnect the device from the power grid.
- Keep the device from bumps, falls, vibration and other mechanical influences.
- Make sure to disconnect the device from the power grid before cleaning or changing accessories.

- Do not use the device outdoors.
- This appliance is not intended for use by persons (including children) with reduced physical, sensory or mental capabilities, or lack of experience and knowledge. They can only use the device under the supervision of the person responsible for their safety, or after instruction on the safe use of the device. Do not allow children to play with the product.
- This product is intended only for use in the home.
- If the power cord is damaged, it must be replaced by a specialist from the authorized service center (ASC) OURSSON AG to avoid danger.
- Use only the tools, which are included in the product set.
- When cleaning the appliance do not use abrasives and organic cleaners (alcohol, gasoline, etc.). When cleaning the device it is allowed to use a small amount of neutral detergent.

RECOMMENDATIONS

- Please read the instruction manual before using the device. Keep the manual after reading for further use.
- All illustrations in this manual are schematic representations of real objects, which may differ from the actual images.
- For the knives to stay sharp, do not use the device to chop very hard products.
- Do not pour liquids into the chopping bowl.
- Do not overturn the device during operation.



The knives are very sharp, be careful.



The operation of this device in any case does not imply application of any force to it, as this may damage the product due to user fault.

PRODUCT SET, Pic. B

① Motor Unit.....	1 pc.
② Bowl's Lid	1 pc.
③ Stainless steel knife.....	2 pc.
④ Glass bowl.....	1 pc.
⑤ Anti slip ring	1 pc.
Instructions manual	1 pc.
Warranty card	1 pc.

EN

ELEMENTS OF DESIGN, Pic. C

① Pin for setting knives

① ② Power buttons. Use the button to turn on the cooking process.

UTILIZATION

Before first use, wipe the body ① with a dry cloth. Wash the bowl ④, lid ② and knives ③ in a worm water with some detergents. Dry. Wipe with clean dry cloth. **Before assembling and disassembling the device, make sure it is unplugged.**

ORDER OF OPERATION, Pic. D

1. Install the ring 6 under the glass bowl, Pic. D-1.
2. Gently, holding the plastic base, place the upper knife on the lower one and turn it clockwise. Holding the plastic part, install the knives into the glass bowl, Pic. D-2.
3. Prepare the necessary ingredients and place them into the chopping bowl, Pic. D-3.
4. Place the lid on the bowl, Pic. D-4.

RECOMMENDATION ON PREPARATION

- Before chopping, it is recommended to cut ingredients into 2x2x2 cm cubes. The maximum amount of ingredients in the table is shown for information purposes only. The recommended chopping duration - from 10 to 30 seconds. You can increase or decrease the chopping time if you want.

Product name	Maximum amount of the product		Time, sec.	Note
Onion	300 g	①	15 sec.	Cut the onions beforehand on 4 parts.
Garlic	300 g	①	10 sec.	
Bread Croutons	180 g	②	10 sec.	
Nuts	250 g	②	30 sec.	Remove the shell.
Hard Cheese	250 g	②	15 sec.	Cut into 2x2x2 cm cubes.
Meat	600-700 g	②	15-25 sec.	Remove bones, fat, tendon. Cut into 2x5x2 cm cubes.
Chocolate	200 g	①	10 sec.	
Fruits/Vegetables	300 g	①	15 sec.	Remove the pits.
Parsley	80 g	①	20 sec.	

CLEANING AND MAINTENANCE, Pic. E



Clean all the parts of the device immediately after use.

- Unplug the device. Remove the motor unit. Open the bowl's lid. Carefully remove the knives, holding the plastic part. Disassemble the blades by turning the upper blade counterclockwise and then remove it from the lower blade.

5. Place the motor unit into the lid's opening. Make sure it is set straight, Pic. D-5.
6. Plug in the device.
7. Slightly press the motor unit to lock it properly, and hold it during the device's operation. Press ① or ② button and hold it during chopping, Pic. D-6.
8. After chopping, unplug the device. After that, you can disassemble the device.



Maximum time of continued use of the device – 30 seconds. The interval between the cycles should be 10 minutes.



Do not chop ingredients whose temperature is above 80 °C. Let them cool.



The amount of ingredients must not exceed "MAX" mark.

POSSIBLE PROBLEMS AND SOLUTIONS

Possible problems	Possible causes	Solutions
The device isn't turning on	No voltage in the socket	• Unplug the device and wait until the voltage recovers.
The device stopped during operation	Motor overheating	• Maximum time of continued use of the device – 30 seconds.

PRODUCT CERTIFICATION

For information on product certification, see <http://www.oursson.com/rus/ru/about/partners/certificates/#tab0> or ask seller for a copy.

Specifications	
Model	CH2010
Power consumption, W	max 300
Glass bowl capacity, ml	1000
Rated voltage	220-240V~; 50-60 Hz
Class of protection against electrical shock	II
Storage and transportation temperature	-25°C to + 35°C
Operating temperature from	+5°C to +35°C
Humidity Requirements	15-75% without condensate
Dimensions (HxWxL), mm	240x185x158
Weight, kg	1,57

*Products should be stored in dry, ventilated warehouses at temperatures below - 25°C.



Reparation must be performed only by a qualified personnel authorized by OURSSON AG service center.

SERVICING

Company OURSSON AG expresses great appreciation to you for choosing our products. We have done everything possible so that this meets your needs, and the quality corresponds to the best world standards. If your OURSSON branded product will need maintenance, please contact one of the authorized service center (hereinafter - ASC). A complete list of ASC and their exact addresses can be found on the website www.oursson.com.

Warranty obligations OURSSON AG:

- Warranty obligations OURSSON AG, provided ASC OURSSON AG, apply only to models designed OURSSON AG for the production or supply and sale within the country where the warranty service is provided, purchased in this country, certified for compliance with the standards of this country, and also marked the with official marks of conformity.
- Warranty obligations OURSSON AG operate within the law on protection of consumer rights and are regulated by the laws of the country in which they are provided, and only when the product is used exclusively for personal, family or household purposes. Warranty obligations OURSSON AG shall not apply to uses of goods for business purposes or in connection with the acquisition of goods to meet the needs of enterprises, institutions and organizations.
- OURSSON AG sets for its products the following terms of use and warranty periods:

Product name	Terms of use, months	Warranty Period, months
Microwave ovens, bread makers, induction stoves Multicookers, kitchen processors, kitchen machines, electric kettles, electric grills, blenders, mixers, meat grinders, toasters, thermo pots, roasters, coffee makers, steamers, juice makers,	60	24

Product name	Terms of use, months	Warranty Period, months
choppers, dehydrators, yogurt makers, fermenters, mini-ovens, freezers, refrigerators, automatic coffee machines Kitchen scales, siphons	60	24

- Warranty obligations OURSSON AG shall not apply to the following products, if their replacement is assumed and is not connected with disassembling products:
 - Batteries.
 - Cases, straps, cords for carrying, mounting accessories, tools, documentation that came with the product.
- Warranty does not cover defects caused due to violations of the rules of consumer use, storage or transportation of the goods, actions of third parties or force majeure, including but not limited to the following cases:
 - If the defect was a result of careless handling, used for other purposes, violations of conditions and rules of operation set forth in the instruction manual, including as a result of exposure to high or low temperatures, high humidity or dust, traces of opening the device independently and/ or self-repair, mismatch state standards for power grids, getting liquids, insects or other foreign objects, substances inside the device, as well as long-term use of the product in extreme operational modes.
 - If the defect of the product was a result of unauthorized attempts to test the product or make any changes in its construction or software programs, including repair or maintenance in unauthorized service centers.
 - If the defect of the product was a result of use of non-standard and/or low quality equipment, accessories, spare parts, batteries.
 - If the defect of the product is associated with its use in conjunction with additional equipment (accessories), other than additional equipment recommended by OURSSON AG for use with this product. OURSSON AG is not responsible for the quality of the additional

equipment (accessories) manufactured by third parties, for the quality of its products together with such equipment, as well as the quality of the work of the additional equipment of OURSSON AG together with the products of other manufacturers.

- Product defects detected during the lifetime of the product are eliminated by the authorized service centers (ASC). During the warranty period, elimination of defects is free of charge with the presentation of the original certificate of guarantee and documents that confirm the fact and date of the contract of retail purchase. In the absence of such documents, warranty period is calculated from the date of manufacture of goods. It should be taken into account:
 - Setup and Installation (assembly, the connection, etc.) of the product described in the documentation attached to it, does not enter the scope of warranty OURSSON AG and can be performed by the user as well as the specialists of most authorized service centers on a paid basis.
 - Work upon maintenance of products (cleaning and lubricating the moving parts, replacement of consumables and supplies, etc.) are made on a paid basis.
- OURSSON AG is not responsible for any damage directly or indirectly caused by their products to people, pets, property, if it occurred as a result of non-observance of the rules and conditions of use, storage, transportation or installation of the product, intentional or negligent actions of consumer or third parties.
- Under no circumstances, OURSSON AG is not responsible for any special, incidental, indirect or consequential loss or damage, including but not limited to: lost profits, damages caused by interruptions in the commercial, industrial or other activities, arising from the use of or inability to use the product.
- Due to continuous product improvement, design elements and some technical specifications are subject to change without prior notice from the manufacturer.

Using the product when after the terms of use (lifetime):

- Lifetime set by OURSSON AG for this product applies only when the product is used exclusively for personal, family or household needs, as well as the consumer observes the correct operation, storage and transportation of products. Under the condition of careful handling of the product and compliance with the rules of operation the actual life may exceed the lifetime set by OURSSON AG.
- At the end of the product lifetime, you should contact

an authorized service center for to conduct a preventive maintenance of the product and determine the suitability for further use. Work on conducting a preventive maintenance of the products is also made in service centers on paid basis.

- OURSSON AG does not recommend the use of this product after the end of its lifetime without its preventive maintenance by the authorized service center, since in this case, the product can be dangerous to the life, health or property of the consumer.



Product Recycling and Disposal

This appliance has been identified in accordance with the European directive 2002/96/EG on Waste Electrical and Electronic Equipment – WEEE. After the expiration of the lifetime, the product cannot be disposed with another household waste. Instead, it shall be deposited in the appropriate recycling collection point for electrical and electronic equipment for proper treatment and disposal in accordance with federal or local law. By disposing correctly this product, you will help to conserve natural resources and preventing the product from damaging the environment and human health. For more information on the collection point and recycling of this product, please contact your local municipal authorities or the enterprise for household waste disposal.

Date of manufacture

Each product has a unique serial number in the form of alphanumeric row and is duplicated with a barcode that contains the following information: name of the product group, date of manufacture, serial number of the product.



Serial number is located on the rear of the product, on the package and the warranty card.

- The first two letters – correspondence to the product group (chopper - CH).
- The first two digits – year of manufacture.
- The second two digits – month of manufacture.
- The last two digits – serial number of product.



To avoid misunderstandings, we highly recommend you to read carefully the instruction manual and the warranty obligations. Check the correctness of the warranty card. Warranty card is valid only if the following are correctly and clearly stated: model, serial number, date of purchase, clear stamps, buyer's signature. The serial number and the model of the device must be the same as in the warranty card. If these conditions are not fulfilled or the data specified in the warranty card was changed, the warranty card is invalid.

ИНСТРУКЦИЯ ПО БЕЗОПАСНОСТИ, Рис. А



Символ опасности

Напоминание пользователю о высоком напряжении.



Символ предупреждения

Напоминание пользователю о необходимости проведения всех действий в соответствии с инструкцией.

При использовании электрических приборов следует соблюдать следующие меры предосторожности:

- Используйте прибор согласно данному руководству по эксплуатации.
- Устанавливайте прибор на устойчивую поверхность.
- Используйте только приспособления, входящие в комплект устройства.
 - Чтобы предотвратить риск пожара или удара током, избегайте попадания в устройство воды и эксплуатации устройства в условиях высокой влажности. Если по каким-то причинам вода попала внутрь устройства, обратитесь в уполномоченный сервисный центр (УСЦ) OURSSON AG.
- Для электропитания прибора используйте электросеть с надлежащими характеристиками.
- Не используйте прибор в помещениях, где в воздухе могут содержаться пары легковоспламеняющихся веществ.
 - Никогда самостоятельно не вскрывайте устройство – это может стать причиной поражения электрическим током, привести к выходу прибора из строя и аннулирует гарантийные обязательства производителя.
- Для ремонта и технического обслуживания обращайтесь только в сервисные центры, уполномоченные для ремонта изделий торговой марки OURSSON.
- При перемещении устройства из прохладного помещения в теплое и наоборот распакуйте его перед началом эксплуатации и подождите 1-2 часа, не включая.
 - В целях предотвращения поражения электрическим током не допускайте погружения проводов или всего изделия в воду.
- Будьте особенно осторожны и внимательны, если рядом с работающим прибором находятся дети.
- Не дотрагивайтесь до горячих поверхностей прибора, это может привести к травме.
- Шнур питания специально сделан относительно коротким во избежание риска получения травмы.
- Не допускайте свисания шнура через острый край стола или его касания нагретых поверхностей.
- Не подключайте данный прибор к сети, перегруженной другими электроприборами: это может привести к тому, что прибор не будет функционировать должным образом.
- Не устанавливайте изделие вблизи газовых и электрических плит, а также духовок.
- Не используйте прибор при поврежденном шнуре питания, а также в случаях, если нарушена нормальная работа изделия, если оно падало или было повреждено каким-либо другим образом.
- При отключении изделия от сети держитесь только



- за вилку, не тяните за провод – это может привести к повреждению провода или розетки и вызвать короткое замыкание.
- По окончании использования отключите изделие от сети.
- Оберегайте устройство от ударов, падений, вибраций и иных механических воздействий.
- Обязательно отключайте устройство от сети перед началом мойки.
- Не используйте изделие вне помещений.
- Этот прибор не предназначен для использования людьми (включая детей) с ограниченными физическими, сенсорными или умственными способностями, или нехваткой опыта и знаний. Они могут пользоваться прибором только под наблюдением человека, ответственного за их безопасность, или после инструктажа по безопасному использованию прибора. Не позволяйте детям играть с изделием.
- Настоящее изделие предназначено только для использования в быту.
- Не используйте при чистке прибора абразивные материалы и органические чистящие средства (спирт, бензин и т.д.). Для чистки корпуса прибора допускается использование небольшого количества нейтрального моющего средства.

РЕКОМЕНДАЦИИ

- Перед использованием устройства внимательно ознакомьтесь с руководством пользователя. После чтения, пожалуйста, сохраните его для использования в будущем.
- Все иллюстрации, приведенные в данной инструкции, являются схематичными изображениями реальных объектов, которые могут отличаться от их реальных изображений.
- Чтобы ножи не затупились, не используйте прибор для измельчения очень твердых продуктов.
- Не наливайте жидкости в чашу для измельчения.
- Не переворачивайте прибор во время работы.



Ножи очень острые, будьте осторожны.



Эксплуатация данного прибора ни в коем случае не подразумевает применение к нему физической силы, так как это может привести к поломке изделия по вине пользователя.



If you have questions or problems with OURSSON AG products - please contact us by e-mail: support@oursson.com

This manual is under protection of international and EU copyright law. Any unauthorized use of the instructions, including copying, printing and distribution, but not limited to, involves the application of the guilty person to civil liability and criminal liability.

Contact information:

1. Manufacturer of goods - OURSSON AG (Orson AG) Rue du Grand-Chêne 5, 1003 Lausanne, Switzerland.
2. Certification information product available on the website www.oursson.com.

OURSSON AG
Made in China




КОМПЛЕКТАЦИЯ, Рис. В


1	Блок электродвигателя	1 шт.
2	Крышка чаши	1 шт.
3	Ножи из нержавеющей стали	2 шт.
4	Стеклопанель чаши	1 шт.
5	Противоскользящее кольцо	1 шт.
	Инструкция по эксплуатации	1 шт.
	Гарантийный талон	1 шт.

установите ножи внутрь стеклянной чаши, Рис. D-2.

3. Подготовьте необходимые ингредиенты и поместите их внутрь чаши для измельчения, Рис. D-3.
4. Установите крышку чаши, Рис. D-4.
5. Установите блок электродвигателя в отверстие крышки. Проверьте, что он установлен ровно. Рис. D-5.
6. Включите прибор в розетку.
7. Нажмите слегка на блок электродвигателя, чтобы правильно зафиксировать, и удерживайте его во время работы прибора. Нажмите на кнопку I или II и удерживайте ее во время измельчения. Рис. D-6.
8. После измельчения, отключите прибор от сети электропитания. После этого можно разбирать прибор.

 Максимально допустимое время непрерывного использования прибора - 30 сек. Перерыв между циклами должен составлять 10 мин.

 Не измельчайте ингредиенты, температура которых выше 80°C. Дайте им остыть.

 Объем ингредиентов для измельчения не должен превышать отметку «MAX».

ЭЛЕМЕНТЫ КОНСТРУКЦИИ, Рис. С

- 1 Штифт для установки ножей
- 1 II Кнопки включения. Используйте кнопки для включения процесса приготовления.

ИСПОЛЬЗОВАНИЕ

Перед первым использованием, протрите корпус прибора 1 сухой тканью. Чашу 4, крышку чаши 2 и ножи 3 вымойте теплой водой с добавлением жидкости для мытья посуды. Высушите. Протрите чистой сухой тканью. Перед сборкой или разборкой прибора убедитесь, что прибор выключен из розетки.

ПОРЯДОК РАБОТЫ, Рис. D


1. Установите кольцо 6 на дно стальной чаши, Рис. D-1.
2. Аккуратно, держась за пластиковое основание, установите верхний нож на нижний и поверните его по часовой стрелке. Держась за пластиковую часть,

РЕКОМЕНДАЦИИ ПО ПРИГОТОВЛЕНИЮ

- Перед измельчением рекомендуется нарезать ингредиенты на кусочки размером не более 2х2х2 см. Максимальное количество ингредиентов указано в таблице в справочных целях. Рекомендуемая длительность измельчения от 10 до 30 сек. Время измельчения вы можете увеличить или уменьшить по своему усмотрению.

Наименование продукта	Максимальное количество продукта	Время, сек	Примечание
Репчатый лук	300 г I	15 сек	Предварительно разрежьте головку лука на 4 части.
Чеснок	300 г I	10 сек	
Хлебные сухарики	180 г II	10 сек	
Орехи	250 г II	30 сек	Очистите от скорлупы.
Твердый сыр	250 г II	15 сек	Нарежьте кубиками 2х2х2 см.
Мясо	600-700 г II	15-25 сек	Удалите кости, жир, сухожилия. Нарежьте кубиками 2х5х2 см.
Шоколад	200 г I	10 сек	
Овощи/фрукты	300 г I	15 сек	Удалите косточки
Петрушка	80 г I	20 сек	

ЧИСТКА И УХОД, Рис. E

 Очищайте все детали прибора сразу после его использования.

- Отключите прибор от сети. Снимите блок электродвигателя. Откройте крышку чаши. Аккуратно достаньте ножи, держась за пластиковую часть. Разберите ножи, повернув верхний нож против часовой стрелки, затем снимите его с нижнего.
- Промойте крышку 2, чашу 4 и ножи 3 в теплой

мыльной воде. Их можно мыть в посудомоечной машине. Температура в посудомоечной машине не должна превышать 60°C.



- Блок электродвигателя протрите влажной и мягкой тканью.
- Никогда не погружайте моторный блок в воду из-за опасности поражения током.
- После очистки тщательно высушите все элементы конструкции прибора.

ВОЗМОЖНЫЕ НЕПОЛАДКИ И СПОСОБЫ ИХ УСТРАНЕНИЯ

Возможная проблема	Возможная причина	Способы решения
Прибор не включается	Отсутствует напряжение в сети электропитания.	• Отключите прибор от сети электропитания и дождитесь нормализации напряжения.
Прибор остановился в процессе работы	Перегрев электродвигателя	• Максимально допустимое время непрерывного использования прибора – 30 сек.

СЕРТИФИКАЦИЯ ПРОДУКЦИИ

Информацию о сертификате соответствия смотрите на сайте <http://www.oursson.com/rus/ru/about/partners/certificates/#tab0> или спрашивайте копию у продавца.

Технические характеристики	
Модель	CH2010
Максимальная потребляемая мощность, Вт	Max 300
Объем чаши, мл	1000
Параметры электропитания	220-240 В ~ ; 50/60Гц
Класс защиты от поражения электрическим током	II
Температура хранения и транспортировки	от -25°C до +35°C
Температура эксплуатации	от +5°C до +35°C
Требования к влажности воздуха при транспортировке, хранении и эксплуатации	15-75% без образования конденсата
Размер прибора, мм	240x185x158
Вес прибора, кг	1,57

*Продукция должна храниться в сухих, проветриваемых складских помещениях при температуре не ниже - 25°C.

 Ремонт прибора должен производиться только квалифицированным специалистом уполномоченного сервисного центра OURSSON AG.

СЕРВИСНОЕ ОБСЛУЖИВАНИЕ

Компания OURSSON AG выражает вам огромную признательность за выбор нашей продукции. Мы сделали все возможное, чтобы данное изделие удовлетворяло вашим запросам, а качество соответствовало лучшим мировым образцам. В случае, если ваше изделие марки OURSSON будет нуждаться в техническом обслуживании, просим вас обращаться в один из Уполномоченных Сервисных Центров (далее – УЦС). С полным списком УЦС и их точными адресами вы можете ознакомиться на сайте www.oursson.ru, а также позвонив по номеру телефона бесплатной горячей линии OURSSON AG. В случае возникновения вопросов или проблем, связанных с продукцией OURSSON AG, просим вас обращаться в письменном виде в организацию, уполномоченную на принятие и удовлетворение требований потребителей в отношении товара ненадлежащего качества, либо по электронной почте info@oursson.ru.

Условия Гарантийных обязательств OURSSON AG:

1. Гарантийные обязательства OURSSON AG, предоставляемые УЦС OURSSON AG, распространяются только на модели, предназначенные OURSSON AG для производства или поставок и реализации на территории страны, где предоставляется гарантийное обслуживание, приобретенные в этой стране, прошедшие сертификацию на соответствие стандартам этой страны, а также маркированные официальными знаками соответствия.
2. Гарантийные обязательства OURSSON AG действуют в рамках законодательства о защите прав

потребителей и регулируются законодательством страны, на территории которой они предоставлены, и только при условии использования изделия исключительно для личных, семейных или домашних нужд. Гарантийные обязательства OURSSON AG не распространяются на случаи использования товаров в целях осуществления предпринимательской деятельности либо в связи с приобретением товаров в целях удовлетворения потребностей предприятий, учреждений, организаций.

3. OURSSON AG устанавливает на свои изделия следующие сроки службы и гарантийные сроки:

Название продукта	Срок службы, месяцев со дня покупки	Гарантийный срок, месяцев со дня покупки
Микроволновые печи, хлебопечи, индукционные плиты	60	12
Мультиварки, кухонные процессоры, кухонные машины, электрические чайники, электрические грили, блендеры, миксеры, мясорубки, тостеры, термопоты, ростеры, кофеварки, пароварки, соковыжималки, измельчители, дегидраторы, йогуртницы, ферментаторы, минидуховки, морозильники, холодильники, автоматические кофемашины, вспениватели	36	12
Кухонные весы, сифоны	24	12

4. Гарантийные обязательства OURSSON AG не распространяются на перечисленные ниже принадлежности изделия, если их замена предусмотрена конструкцией и не связана с разборкой изделия:
- Элементы питания.
 - Чехлы, ремни, шнуры для переноски, монтажные приспособления, инструмент, документацию, прилагаемую к изделию.
5. Гарантия не распространяется на недостатки, возникшие в изделии вследствие нарушения потребителем правил использования, хранения или транспортировки товара, действия третьих лиц или непреодолимой силы, включая, но не ограничиваясь следующими случаями:
- Если недостаток товара явился следствием небрежного обращения, применения товара не по назначению, нарушения условий и правил эксплуатации, изложенных в инструкции по эксплуатации, в том числе вследствие воздействия высоких или низких температур, высокой влажности или запыленности, следах вскрытия корпуса прибора и/или самостоятельного ремонта, несоответствия Государственным стандартам параметров питающих сетей, попадания внутрь корпуса жидкости, насекомых и других посторонних предметов, веществ, а также длительного использования изделия в предельных режимах его работы.
 - Повреждения и дефекты, вызванные качеством воды и отложением накипи (очистка от накипи и чистка не входит в гарантийное обслуживание и должна РЕГУЛЯРНО производиться Вами самостоятельно).
 - Если недостаток товара явился следствием несанкционированного тестирования товара или попыток внесения любых изменений в его конструкцию или его программное обеспечение, в том числе ремонта или технического обслуживания в неуполномоченной OURSSON AG ремонтной организации.
 - Если недостаток товара явился следствием использования нестандартных (нетиповых) и (или) некачественных принадлежностей, аксессуаров, запасных частей, элементов питания.
 - Если недостаток товара связан с его применением совместно с дополнительным оборудованием (аксессуарами), отличным от дополнительного оборудования, рекомендованного OURSSON AG к применению с данным товаром. OURSSON AG не несет ответственность за качество дополнительного оборудования (аксессуаров), произведенного третьими лицами, за качество работы своих изделий совместно с таким оборудованием, а также за качество работы дополнительного оборудования производства компании OURSSON AG совместно с изделиями других производителей.
6. Недостатки товара, обнаруженные в период срока службы, устраняются уполномоченными на это ремонтными организациями (УЦЦ). В течение гарантийного срока устранение недостатков производится бесплатно при предъявлении оригинала заполненного гарантийного талона и документов, подтверждающих факт и дату заключения договора

розничной купли-продажи (товарный, кассовый чек и т. п.). В случае отсутствия указанных документов гарантийный срок исчисляется со дня изготовления товара. При этом следует учитывать:

- Настройка и установка (сборка, подключение и т. п.) изделия, описанная в документации, прилагаемой к нему, не входит в объем гарантийных обязательств OURSSON AG и могут быть выполнены как самим пользователем, так и специалистами большинства уполномоченных сервисных центров соответствующего профиля на платной основе.
 - Работы по техническому обслуживанию изделий (чистка и смазка движущихся частей, замена расходных материалов и принадлежностей и т. п.) производятся на платной основе.
7. OURSSON AG не несет ответственности за возможный вред, прямо или косвенно нанесенный своей продукцией людям, домашним животным, имуществу в случае, если это произошло в результате несоблюдения правил и условий эксплуатации, хранения, транспортировки или установки изделия; умышленных или неосторожных действий потребителя или третьих лиц.
8. Ни при каких обстоятельствах OURSSON AG не несет ответственности за какой-либо особый, случайный, прямой или косвенный ущерб или убытки, включая, но не ограничиваясь перечисленным, упущенную выгоду, убытки, вызванные перерывами в коммерческой, производственной или иной деятельности, возникающие в связи с использованием или невозможностью использования изделия.
9. Вследствие постоянного совершенствования продукции элементы дизайна и некоторые технические характеристики продукта могут быть изменены без предварительного уведомления со стороны производителя.

Использование изделия по истечении срока службы

1. Срок службы, установленный OURSSON AG для данного изделия, действует только при условии использования изделия исключительно для личных, семейных или домашних нужд, а также соблюдения потребителем правил эксплуатации, хранения и транспортировки изделия. При условии аккуратного обращения с изделием и соблюдения правил эксплуатации фактический срок службы может превышать срок службы, установленный OURSSON AG.
2. По окончании срока службы изделия вам необходимо обратиться в Уполномоченный сервисный центр для проведения профилактического обслуживания изделия и определения его пригодности к дальнейшей эксплуатации. Работы по профилактическому обслуживанию изделия и его диагностике выполняются сервисными центрами на платной основе.
3. OURSSON AG не рекомендует продолжать эксплуатацию изделия по окончании срока службы без проведения его профилактического обслуживания в Уполномоченном сервисном центре, т. к. в этом случае изделие может представлять опасность для жизни, здоровья или имущества потребителя.

Утилизация изделия

Этот бытовой электроприбор имеет обозначение согласно требованиям Директивы ЕС 2002/96/EG об отслуживших свой срок электрических и электронных приборах (waste electrical and electronic equipment – WEEE). После окончания срока службы изделия его нельзя выбрасывать вместе с обычным бытовым мусором. Вместо этого оно подлежит сдаче на утилизацию в соответствующий пункт приема электрического и электронного оборудования для последующей переработки и утилизации в соответствии с федеральным или местным законодательством. Обеспечивая правильную утилизацию данного продукта, вы помогаете сберечь природные ресурсы и предотвращаете ущерб для окружающей среды и здоровья людей, который возможен в случае ненадлежащего обращения. Более подробную информацию о пунктах приема и утилизации данного продукта можно получить в местных муниципальных органах или на предприятии по вывозу бытового мусора.



Дата производства

Каждому изделию присваивается уникальный серийный номер в виде буквенно-цифрового ряда и дублируется штрих-кодом, который содержит следующую информацию: название товарной группы, дату производства, порядковый номер изделия. Серийный номер располагается на задней панели продукта, на упаковке и в гарантийном талоне.



Серийный номер располагается на задней панели продукта, на упаковке и в гарантийном талоне.

- ❶ Первые две буквы – соответствие товарной группе (измельчитель – CH).
- ❷ Первые две цифры – год производства.
- ❸ Вторые две цифры – месяц производства.
- ❹ Последние цифры – порядковый номер изделия.



Во избежание недоразумений убедительно просим вас внимательно изучить Руководство по эксплуатации изделия и условия гарантийных обязательств, проверить правильность заполнения гарантийного талона. Гарантийный талон действителен только при наличии правильно и четко указанных: модели, серийного номера изделия, даты покупки, четких печатей фирмы-продавца, подписи покупателя. Серийный номер и модель изделия должны соответствовать указанным в гарантийном талоне. При нарушении этих условий, а также в случае, когда данные, указанные в гарантийном талоне, изменены или стертые, талон признается недействительным.

forum.oursson.ru



Скачайте мобильное приложение с рецептами к технике Oursson





Горячая линия OURSSON AG обеспечивает полную информационную поддержку деятельности компании в России, странах СНГ и Балтии. Профессиональные операторы быстро ответят на любой интересующий вас вопрос. Вы можете обращаться в единый центр по вопросам сервисного сопровождения, для рекомендаций специалистов по настройке и подключению, для информирования о местах продаж, с вопросами о рекламных акциях и розыгрышах, проводимых компанией, а также с любыми другими вопросами о деятельности компании на территории России, стран СНГ и Балтии.

Есть вопросы? Звоните, мы поможем!

Телефон горячей линии OURSSON AG (бесплатные звонки со стационарных телефонов):

8 800 100 8 708

Время работы горячей линии:

понедельник-пятница с 10:00 до 20:00 (по московскому времени); без выходных, 7 дней в неделю.

Настоящая инструкция является объектом охраны в соответствии с международным и российским законодательством об авторском праве. Любое несанкционированное использование инструкции, включая копирование, тиражирование и распространение, но не ограничиваясь этим, влечет применение к виновному лицу гражданско-правовой ответственности, а также уголовной ответственности в соответствии со статьей 146 УК РФ и административной ответственности в соответствии со статьей 7.12 КоАП РФ (ст.150.4 КоАП в старой редакции).

Контактная информация:

1. Изготовитель товара – OURSSON AG (OPCON AG), Ул. Гран-Шен 5, 1003 Лозанна, Швейцария.
2. Организация, уполномоченная на принятие и удовлетворение требований потребителей в отношении товара ненадлежащего качества (уполномоченное изготовителем лицо), – ООО «OPCON», 125445, Москва, Ленинградское шоссе, д. 65, стр. 3.
3. Информация о сертификации продукта доступна на сайте www.oursson.com.
4. Импортер продукции OURSSON AG: РФ и/или страны ЕТС: смотрите информацию на упаковке товара.

OURSSON AG
Сделано в КНР



www.oursson.ru

