

oursson 

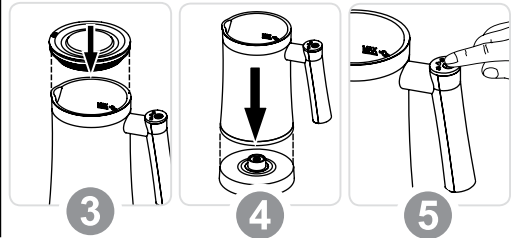
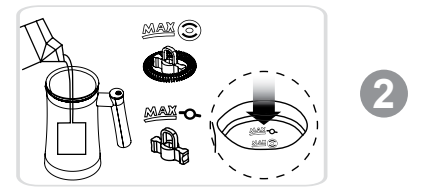
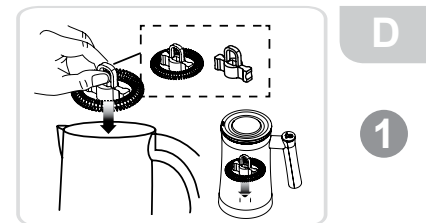
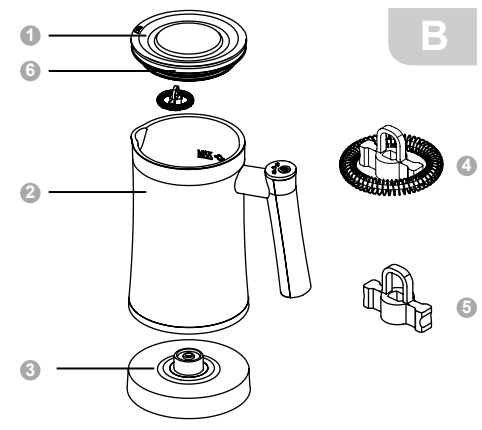
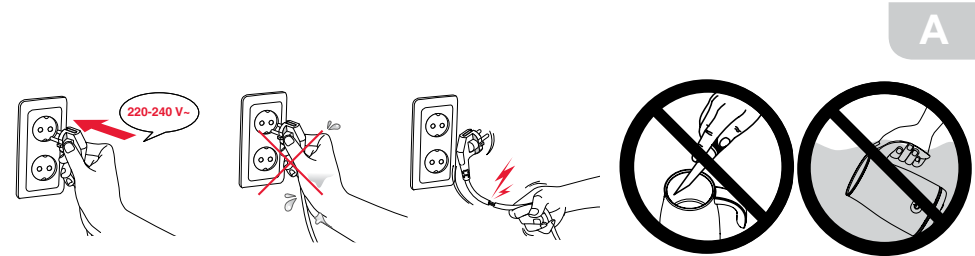
bon appétit



**MF3500D**

**EN** Instruction manual

**RU** Руководство по эксплуатации



**E**

	✓	✗	✓
	✓	✗	✓
	✗	✗	✓
	✗	✗	✓

## SAFETY INSTRUCTIONS, Pic. A



### Danger symbol

A reminder to user about high voltage.

### Warning symbol

A reminder to user about the necessity of operating exactly according to the instructions.

When using electrical appliances should take the following precautions:

- Use the device according to the following instructions manual.
- Install the device on a stable surface.
- Use only the tools, which are included in the product set.



To protect against risk of electrical shock do not put the cord in water or other liquid. If for some reason the water got into the unit, contact an authorized service center (ASC) OURSSON AG.

- For power supply, use a power grid with proper characteristics.
- Do not use the device in areas where the air can contain vapors of flammable substances.



Never attempt to open the device by yourself – it could possibly be the reason of an electrical shock can lead to product malfunction and will invalidate the manufacturer's warranty. For repair and maintenance, contact only authorized service centers meant for repair of products under the trademark OURSSON.

- When moved from a cool to a warm place and vice versa unpack it before use and wait 1-2 hours without turning it on.



In order to prevent electrical shock do not immerse the entire product or the wires into the water.

- Be particularly careful and cautious when using the device near children.
- Do not touch any hot parts, as this may cause injury.
- The power cord is specially made relatively short in order to avoid the risk of injury.
- Do not allow the cord to hang over the sharp edge of the table or touch hot surfaces.
- Do not connect this device to a grid which is overloaded with other appliances: it can lead to the fact that the device will not function properly.
- Do not install the device near gas and electric stoves and ovens.
- After use, make sure to disconnect the device from the power grid.
- Keep the device from bumps, falls, vibration and other mechanical influences.
- Make sure to disconnect the device from the power grid before cleaning or changing accessories.
- Do not use the device outdoors.
- This appliance is not intended for use by persons (including children) with reduced physical, sensory or mental capabilities, or lack of experience and

knowledge. They can only use the device under the supervision of the person responsible for their safety, or after instruction on the safe use of the device. Do not allow children to play with the product.

- This product is intended only for use in the home.
- If the power cord is damaged, it must be replaced by a specialist from the authorized service center (ASC) OURSSON AG to avoid danger.
- Use only the tools, which are included in the product set.
- When cleaning the appliance do not use abrasives and organic cleaners (alcohol, gasoline, etc.). When cleaning the device it is allowed to use a small amount of neutral detergent.

## RECOMMENDATIONS

- Please read the instruction manual before using the device. Keep the manual after reading for further use.
- All illustrations in this manual are schematic representations of real objects, which may differ from the actual images.
- Do not open the device and do not touch the moving parts of the device while it is operating to avoid personal injury.



Do not use the device without liquid inside it.



Do not fill the cooking container higher than MAX mark.



The operation of this device in any case does not imply application of any force to it, as this may damage the product due to user fault.

## PRODUCT SET, Pic. B

- ① Lid..... 1 pc.
- ② Body ..... 1 pc.
- ③ Stand with a cord..... 1 pc.
- ④ Whisk..... 1 pc.
- ⑤ Mixing attachment ..... 1 pc.
- ⑥ Storage space for attachments..... 1 pc.
- Instructions manual ..... 1 pc.

## UTILIZATION

### Control panel, Pic. C



- On/Off button

Use this button to select the required mode.

EN

**Before first use**, wipe the body of the device with a soft dry cloth. Other parts and inner surface wash with warm water and some dishwashing detergent. Dry. Wipe with clean dry cloth. Pic. E.

**Before assembling and disassembling and/or removing the nozzles, make sure the device is unplugged.**

## Order of operation, Pic. D

1. Select the nozzle and install it into the cooking container on a special pin. Pic. D-1.
2. The mixing attachment is stored on the inside of the cover. When using the attachment for mixing, the whisk may be stored there too.

Mode	Action	Indication	Milk capacity	Working time
<b>Foaming + Heating</b> up to 60±5°C	Press <b>ON/OFF</b> button once	<b>button</b> will become red	min.100 ml- max.160 ml	90-120 sec.
<b>Foaming cold milk</b>	Press <b>ON/OFF</b> button thrice in 2 second	<b>button</b> will become blue	min.100 ml- max.160 ml	60+-5 sec.
<b>Heating</b> up to 60±5°C	Press <b>ON/OFF</b> button twice in 2 second	<b>button</b> will become white	min.100 ml- max.350 ml	120-160 sec.



To avoid overheating, the break between cycles of operation should be 3 minutes. After 5-th cycle, the device will turn on automatic protection, On/Off button won't work for 5 min.



Cold milk foaming mode can't be turned on if milk heating is on. To turn on cold milk foaming turn off the device, let the device cool and follow the instructions.

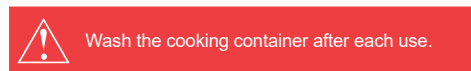
**NOTE:** In order to reduce the waiting time, rinse the container with cold water and wipe it dry.

## PREPARATION RECOMMENDATIONS

Operation	Max. Capacity, ml.	Mode	Noz-zle	Note
Milk foaming with heating	100	<b>Foaming + Heating</b>	④	Use cold milk(10-15°C) Use milk with < 3.0% fat.
Heating milk without foaming	200	<b>Heating</b>	⑤	
Foaming milk without heating	100	<b>Foaming</b>	④	
Preparing hot milk from water and milk powder	150	<b>Foaming + Heating</b>	⑤	For 150 ml of cold water add 1 tbsp. of powder milk
Preparing hot cocoa	150	<b>Foaming + Heating</b>		For 150 ml of cold milk add 2 tbsp. of cocoa powder
Preparing cocktails	150	<b>Foaming</b>	④	Ex. recipe: 150 ml of coconut milk whisk with 1-2 tbsp. of raspberry syrup
Preparation of mulled wine, grog and punches	150	<b>Foaming + Heating</b>	⑤	Ex. recipe: 100 ml of dry red wine mix and heat with 50 ml of syrup for punches and mulled wines

Operation	Max. Capacity, ml.	Mode	Nozzle	Note
Preparing hot wine	200	<b>Heating</b>	5	Ex. recipe: warm up 200 ml of dry red wine and pour into a glass with finely chopped fruits
Preparing hot instant beverages	150	<b>Foaming + Heating</b>		Ex. recipe: For 150 ml of cold water add 1 pack of instant beverage powder
Preparing cold instant beverages	150	<b>Foaming</b>		

## CLEANING AND MAINTENANCE, Pic. E



- Unplug the device. Remove from the stand.
- Elements of design ①, ④, ⑤ and inner surface of the container wash with warm water.

- Wipe the body of the device with damp cloth.
- ⚠ Never immerse the device into water, to avoid electrical shock.

- Thoroughly dry all the parts.
- Parts of the device can't be washed in a dishwasher.

**NOTE:** Milk foam can remain at the bottom of the container. To remove it, fill the container with warm soapy water for 1-2 hours. Then wipe with soft cloth. Never use sharp objects for cleaning, as this may damage the non-stick coating of the device, Pic. A.

## POSSIBLE PROBLEMS AND SOLUTIONS

Problems	Cause	Solution
Device doesn't turn on	No power supply.	Disconnect the device from the socket and wait for normalization of the power supply.
	The device overheated, the cooking time lasted more than 5 minutes.	Leave the device to cool for 5 minutes and turn it on again.

SPECIFICATIONS	
Model	MF3500D
Power consumption, W	Max 400
Rated voltage	220-240 V~; 50/60 Hz
Max. capacity for milk foaming, ml	160
Max. capacity for milk heating, ml	350
Automatic turn off	Yes
Weight, kg	0,96
Dimensions (HxWxL), mm	168x109x195
Storage and transportation temperature requirements	-25°C to +35°C
Operation temperature requirements	+5°C to +35°C
Humidity Requirements	15 - 75% (without condensation)
Protection class	I

Products must be stored in dry, ventilated warehouses at a temperature not lower than -25°C.

## PRODUCT CERTIFICATION

For information on product certification, see <http://www.oursson.com> or ask seller for a copy.



## SERVICING

Company OURSSON AG expresses great appreciation to you for choosing our products. We have done everything possible so that this meets your needs, and the quality corresponds to the best world standards. If your OURSSON branded product will need maintenance, please contact one of the authorized service center (hereinafter - ASC). A complete list of ASC and their exact addresses can be found on the website [www.oursson.com](http://www.oursson.com).

### Warranty obligations OURSSON AG:

1. Warranty obligations OURSSON AG, provided ASC OURSSON AG, apply only to models designed OURSSON AG for the production or supply and sale within the country where the warranty service is provided, purchased in this country, certified for compliance with the standards of this country, and also marked with official marks of conformity.
2. Warranty obligations OURSSON AG operate within the law on protection of consumer rights and are regulated by the laws of the country in which they are provided, and only when the product is used exclusively for personal, family or household purposes. Warranty obligations OURSSON AG shall not apply to uses of goods for business purposes or in connection with the acquisition of goods to meet the needs of enterprises, institutions and organizations.
3. OURSSON AG sets for its products the following terms of use and warranty periods:

Product name	Terms of use, months	Warranty Period, months
Microwave ovens, bread-makers, induction stoves, multicookers, kitchen processors, kitchen machines, electric kettles, electric grills, blenders, mixers, meat grinders, blenders, toasters, thermopots, roasters, juice makers, steamers, coffee makers, choppers, dehydrators, yogurt makers, fermenters, mini ovens freezers, refrigerators, automatic coffee machines, milk frother, coffee grinder, kitchen scales, siphons	60	24

4. Warranty obligations OURSSON AG shall not apply to the following products, if their replacement is assumed and is not connected with disassembling products:
  - Batteries.
  - Cases, straps, cords for carrying, mounting accessories, tools, documentation that came with the product.
  - Accessories included in the product kits, except for their absence or the presence of a manufacturing defect.
5. Warranty does not cover defects caused due to violations of the rules of consumer use, storage or transportation of the goods, actions of third parties or force majeure,

including but not limited to the following cases:

- If the defect was a result of careless handling, used for other purposes, violations of conditions and rules of operation set forth in the instruction manual, including as a result of exposure to high or low temperatures, high humidity or dust, traces of opening the device independently and/ or self-repair, mismatch state standards for power grids, getting liquids, insects or other foreign objects, substances inside the device, as well as long-term use of the product in extreme operational modes.
  - If the defect of the product was a result of unauthorized attempts to test the product or make any changes in its construction or software programs, including repair or maintenance in unauthorized service centers.
  - If the defect of the product was a result of use of non-standard and/or low quality equipment, accessories, spare parts, batteries.
  - If the defect of the product is associated with its use in conjunction with additional equipment (accessories), other than additional equipment recommended by OURSSON AG for use with this product. OURSSON AG is not responsible for the quality of the additional equipment (accessories) manufactured by third parties, for the quality of its products together with such equipment, as well as the quality of the work of the additional equipment of OURSSON AG together with the products of other manufacturers.
6. Product defects detected during the lifetime of the product are eliminated by the authorized service centers (ASC). During the warranty period, elimination of defects is free of charge with the presentation of the original certificate of guarantee and documents that confirm the fact and date of the contract of retail purchase. In the absence of such documents, warranty period is calculated from the date of manufacture of goods. It should be taken into account:
    - Setup and Installation (assembly, the connection, etc.) of the product described in the documentation attached to it, does not enter the scope of warranty OURSSON AG and can be performed by the user as well as the specialists of most authorized service centers on a paid basis.
    - Work upon maintenance of products (cleaning and lubricating the moving parts, replacement of consumables and supplies, etc.) are made on a paid basis.
  7. OURSSON AG is not responsible for any damage directly or indirectly caused by their products to people, pets, property, if it occurred as a result of non-observance of the rules and conditions of use, storage, transportation or installation of the product, intentional or negligent actions of consumer or third parties.
  8. Under no circumstances, OURSSON AG is not responsible for any special, incidental, indirect or consequential loss or damage, including but not limited to: lost profits, damages caused by interruptions in the commercial, industrial or other activities, arising from the use of or inability to use the product.

9. Due to continuous product improvement, design elements and some technical specifications are subject to change without prior notice from the manufacturer.

**Using the product when after the terms of use (lifetime):**

1. Lifetime set by OURSSON AG for this product applies only when the product is used exclusively for personal, family or household needs, as well as the consumer observes the correct operation, storage and transportation of products. Under the condition of careful handling of the product and compliance with the rules of operation the actual life may exceed the lifetime set by OURSSON AG.
2. At the end of the product lifetime, you should contact an authorized service center for to conduct a preventive maintenance of the product and determine the suitability for further use. Work on conducting a preventive maintenance of the products is also made in service centers on paid basis.
3. OURSSON AG does not recommend the use of this product after the end of its lifetime without its preventive maintenance by the authorized service center, since in this case, the product can be dangerous to the life, health or property of the consumer.

**Product Recycling and Disposal**

This appliance has been identified in accordance with the European directive 2002/96/EG on Waste Electrical and Electronic Equipment – WEEE. After the expiration of the lifetime, the product cannot be disposed with another household waste. Instead, it shall be deposited in the appropriate recycling collection point for electrical and electronic equipment for proper treatment and disposal in accordance with federal or local law. By disposing correctly this product, you will help to conserve natural resources and preventing the product from damaging the environment and human health. For more information on the collection point and recycling of this product, please contact your local municipal authorities or the enterprise for household waste disposal.



**Date of manufacture**

Each product has a unique serial number in the form of alphanumeric row and is duplicated with a barcode that contains the following information: name of the product group, date of manufacture, serial number of the product. Serial number is located on the rear of the product, on the package and the warranty card.



Serial number is located on the rear of the product, on the package and the warranty card.

- 1 The first two letters – correspondence to the product group (Milk frother – MF).
- 2 The first two digits – year of manufacture.
- 3 The second two digits – month of manufacture.
- 4 The last two digits – serial number of product.

To avoid misunderstandings, we highly recommend you to read carefully the instruction manual and the warranty obligations. Check the correctness of the warranty card. Warranty card is valid only if the following are correctly and clearly stated: model, serial number, date of purchase, clear stamps, buyer's signature. The serial number and the model of the device must be the same as in the warranty card. If these conditions are not fulfilled or the data specified in the warranty card was changed, the warranty card is invalid.



**ИНСТРУКЦИЯ ПО БЕЗОПАСНОСТИ, Рис. А**



**Символ опасности**

Напоминание пользователю о высоком напряжении.



**Символ предупреждения**

Напоминание пользователю о необходимости проведения всех действий в соответствии с инструкцией.

При использовании электрических приборов следует соблюдать следующие меры предосторожности:

- Используйте прибор согласно данному руководству по эксплуатации.
- Устанавливайте прибор на устойчивую поверхность.
- Используйте только приспособления, входящие в комплект устройства.
  - Чтобы предотвратить риск пожара или удара током, избегайте попадания в устройство воды и эксплуатации устройства в условиях высокой влажности. Если по каким-то причинам вода попала внутрь устройства, обратитесь в уполномоченный сервисный центр (УСЦ) OURSSON AG.
- Для электропитания прибора используйте электросеть с надлежащими характеристиками.
- Не используйте прибор в помещениях, где в воздухе могут содержаться пары легковоспламеняющихся веществ.
  - Никогда самостоятельно не вскрывайте устройство – это может стать причиной поражения электрическим током, привести к выходу прибора из строя и аннулирует гарантийные обязательства производителя. Для ремонта и технического обслуживания обращайтесь только в сервисные центры, уполномоченные для ремонта изделий торговой марки OURSSON.
- При перемещении устройства из прохладного помещения в теплое и наоборот распахните его перед началом эксплуатации и подождите 1-2 часа, не включая.
  - В целях предотвращения поражения электрическим током не допускайте погружения проводов или всего изделия в воду.
- Будьте особенно осторожны и внимательны, если рядом с работающим прибором находятся дети.
- Не дотрагивайтесь до горячих поверхностей прибора, это может привести к травме.
- Шнур питания специально сделан относительно коротким во избежание риска получения травмы.
- Не допускайте свисания шнура через острый край стола или его касания нагретых поверхностей.
- Не подключайте данный прибор к сети, перегруженной другими электроприборами: это может привести к тому, что прибор не будет функционировать должным образом.
- Не устанавливайте изделие вблизи газовых и электрических плит, а также духовок.
- Не используйте прибор при поврежденном шнуре питания, а также в случаях, если нарушена нормальная работа изделия, если оно падало или было повреждено каким-либо другим образом.
- При отключении изделия от сети держитесь только за вилку, не тяните за провод – это может привести к повреждению провода или розетки и вызвать короткое замыкание.
- По окончании использования отключите изделие от сети.
- Оберегайте устройство от ударов, падений, вибраций и иных механических воздействий.

- Обязательно отключайте устройство от сети перед началом мойки.
- Не используйте изделие вне помещений.
- Этот прибор не предназначен для использования людьми (включая детей) с ограниченными физическими, сенсорными или умственными способностями, или нехваткой опыта и знаний. Они могут пользоваться прибором только под наблюдением человека, ответственного за их безопасность, или после инструктажа по безопасному использованию прибора. Не позволяйте детям играть с изделием.
- Настоящее изделие предназначено только для использования в быту.
- Не используйте при чистке прибора абразивные материалы и органические чистящие средства (спирт, бензин и т.д.). Для чистки корпуса прибора допускается использование небольшого количества нейтрального моющего средства.

**РЕКОМЕНДАЦИИ**

- Перед использованием устройства внимательно ознакомьтесь с руководством пользователя. После чтения, пожалуйста, сохраните его для использования в будущем.
- Все иллюстрации, приведенные в данной инструкции, являются схематичными изображениями реальных объектов, которые могут отличаться от их реальных изображений.
- Во время работы прибора не открывайте его и не касайтесь движущихся частей руками или другими предметами во избежание травм.

**Не используйте устройство без жидкости внутри.**

**Не заполняйте емкость для приготовления выше максимальной отметки.**

Эксплуатация данного прибора ни в коем случае не подразумевает применение к нему физической силы, так как это может привести к поломке изделия по вине пользователя.

**КОМПЛЕКТАЦИЯ, Рис. В**

- 1 Крышка ..... 1 шт.
- 2 Корпус вспенивателя ..... 1 шт.
- 3 Подставка со шнуром питания ..... 1 шт.
- 4 Венчик ..... 1 шт.
- 5 Насадка для перемешивания ..... 1 шт.
- 6 Место для хранения насадок ..... 1 шт.
- Инструкция по эксплуатации ..... 1 шт.
- Гарантийный талон ..... 1 шт.

**ИСПОЛЬЗОВАНИЕ**

**Панель управления, Рис. С**

- Кнопка ВКЛ/ВЫКЛ. Используйте кнопку для выбора необходимого режима.



If you have questions or problems with OURSSON AG products - please contact us by e-mail: support@oursson.com

This manual is under protection of international and EU copyright law. Any unauthorized use of the instructions, including copying, printing and distribution, but not limited to, involves the application of the guilty person to civil liability and criminal liability.

**Contact information:**

1. Manufacturer of goods - OURSSON AG (Orson AG) Rue du Grand-Chêne 5, 1003 Lausanne, Switzerland.
2. Certification information product available on the website www.oursson.com.

OURSSON AG  
Made in China



Перед первым использованием протрите корпус прибора сухой и мягкой тканью. **Остальные части и внутреннюю поверхность емкости для приготовления вымойте теплой водой** с добавлением жидкости для мытья посуды. Высушите. Протрите чистой сухой тканью, Рис. Е.

Перед сборкой или разборкой прибора и/или отсоединением насадок убедитесь, что прибор выключен из розетки.

#### Порядок работы, Рис. D

1. Выберите необходимую насадку и установите ее внутри емкости для приготовления на специальный штырек, Рис. D-1.
2. Насадка для смешивания хранится на внутренней стороне крышки вспенивателя. При исполь-

зовании насадки для смешивания, там может храниться насадка для вспенивания.

3. Заполните емкость вспенивателя молоком до необходимого уровня, Рис. D-2.
4. Плотно закройте крышкой, Рис. D-3.
5. Установите прибор на подставку, Рис. D-4. Включите прибор в розетку.
6. Нажмите на кнопку **ВКЛ/ВЫКЛ** нужное количество раз, чтобы выбрать необходимый режим работы устройства Рис. D-5.
7. **Выключение.** Нажмите кнопку **ВКЛ/ВЫКЛ** один раз или дождитесь завершения операции, тогда прибор выключится сам.

Режим	Действие	Индикация	Объем молока	Время работы
<b>Вспенивание + Подогрев</b> до 60±5°C	Нажать кнопку <b>ВКЛ/ ВЫКЛ</b> один раз	Кнопка  горит красным.	мин.100 мл- макс.160 мл	90-120 сек.
<b>Вспенивание холодного молока</b>	Нажать кнопку <b>ВКЛ/ ВЫКЛ</b> три раза в течение 2 сек.	Кнопка  горит синим.	мин.100 мл- макс.160 мл	60+-5сек.
<b>Подогрев</b> до 60±5°C	Нажать кнопку <b>ВКЛ/ ВЫКЛ</b> два раза в течение 2 сек.	Кнопка  горит белым.	мин.100 мл- макс.35 0 мл	120-160 сек.



Во избежание перегрева прибора перерыв между циклами работы должен составлять 3 мин. После 5-го непрерывного цикла работы прибор автоматически включит систему защиты и кнопка ВКЛ/ВЫКЛ будет неактивна примерно в течение 5 минут.



Режим **ВСПЕНИВАНИЕ ХОЛОДНОГО МОЛОКА** не может быть включен, если уже запущен режим с подогревом молока. Для включения режима **ВСПЕНИВАНИЕ ХОЛОДНОГО МОЛОКА** выключите устройство, дайте емкости для приготовления остыть и следуйте инструкции.

**ПРИМЕЧАНИЕ:** Для сокращения времени ожидания промойте ёмкость холодной водой и вытрите насухо.

#### РЕКОМЕНДАЦИИ ПО ПРИГОТОВЛЕНИЮ

Наименование операции	Макс. Объем, мл	Режим	Насадка	Примечание
Вспенивание молока с подогревом	100	<b>Вспенивание + подогрев</b>	4	Используйте холодное молоко (10-15°C). Рекомендуется молоко с жирностью < 3.0%.
Подогрев молока без вспенивания	200	<b>Подогрев</b>	5	
Вспенивание молока без подогрева	100	<b>Вспенивание</b>	4	
Приготовление горячего молока из воды и сухого молока	150	<b>Вспенивание + подогрев</b>	5	На 150 мл холодной воды 1 ст.л. сухого молока.
Приготовление горячего какао	150	<b>Вспенивание + подогрев</b>	5	На 150 мл холодного молока 2 ч.л. какао-порошка
Приготовление коктейлей	150	<b>Вспенивание</b>	4	Пример рецепта: 150 мл кокосового молока взейте с 1-2 ст.л. малинового сиропа

Наименование операции	Макс. Объем, мл	Режим	Насадка	Примечание
Приготовление глинтвейна, грога и пуншей	150	<b>Вспенивание + подогрев</b>		Пример рецепта: 100 мл красного сухого вина смешайте и подогрейте с 50 мл сиропа для пуншей и глинтвейнов
Приготовление горячего вина	200	<b>Подогрев</b>	5	Пример рецепта: 200 мл красного сухого вина подогрейте и перелейте в бокал с мелко нарезанными фруктами
Приготовление горячих растворимых напитков	150	<b>Вспенивание + подогрев</b>		Пример рецепта: На 150 мл холодной воды добавьте 1 упаковку растворимого напитка в виде порошка
Приготовление холодных растворимых напитков	150	<b>Вспенивание</b>		

#### ЧИСТКА И УХОД, Рис. Е



Очищайте все детали прибора сразу после его использования.

- Отключите прибор от сети. Снимите с подставки.
- Элементы конструкции 1, 4, 5 и внутреннюю часть емкости для приготовления промойте в теплой мыльной воде.



- Протрите корпус прибора влажной тканью. Никогда не погружайте его в воду из-за опасности поражения электрическим током.

- Тщательно высушите все детали.
- Элементы конструкции нельзя мыть в посудомоечной машине.

**ПРИМЕЧАНИЯ:** На дне емкости может оставаться молочная плёнка. Чтобы убрать её, залейте емкость теплой мыльной водой на 1-2 часа. Затем протрите с помощью мягкой ткани. Никогда не используйте для чистки острые предметы, так как это может повредить антипригарное покрытие емкости, Рис. А.

#### ВОЗМОЖНЫЕ НЕПОЛАДКИ И СПОСОБЫ ИХ УСТРАНЕНИЯ

Возможная проблема	Причина	Способы решения
Прибор не включается	Отсутствует напряжение в сети электропитания. Прибор перегрелся, время приготовления длилось больше, чем 5 минут.	Отключите прибор от сети электропитания и дождитесь нормализации напряжения. Оставьте прибор остыть на 5 минут и включите заново.

#### Технические характеристики

Модель	MF3500D
Потребляемая мощность, Вт.	Max 400
Параметры электропитания	220-240 В~; 50/60Гц
Вес прибора, кг	0.96
Макс. объем молока для взбивания, мл	160
Макс. объем молока для нагрева, мл	350
Автоматическое выключение	Да
Размеры прибора, мм (ВхШхГ)	168x109x195
Температура хранения и транспортировки	от -25°C до +35°C
Температура эксплуатации	от +5°C до +35°C
Требования к влажности воздуха при хранении, транспортировке и эксплуатации	15 - 75% без образования конденсата
Класс защиты	I

\*Продукция должна храниться в сухих, проветриваемых складских помещениях при температуре не ниже - 25°C.



## СЕРВИСНОЕ ОБСЛУЖИВАНИЕ

Компания OURSSON AG выражает вам огромную признательность за выбор нашей продукции. Мы сделали все возможное, чтобы данное изделие удовлетворяло вашим запросам, а качество соответствовало лучшим мировым образцам. В случае, если ваше изделие марки OURSSON будет нуждаться в техническом обслуживании, просим вас обращаться в один из Уполномоченных Сервисных Центров (далее – УЦЦ). С полным списком УЦЦ и их точными адресами вы можете ознакомиться на сайте [www.oursson.ru](http://www.oursson.ru), а также позвонив по номеру телефона бесплатной горячей линии OURSSON AG.

В случае возникновения вопросов или проблем, связанных с продукцией OURSSON AG, просим вас обращаться в письменном виде в организацию, уполномоченную на принятие и удовлетворение требований потребителей в отношении товара ненадлежащего качества, либо по электронной почте [info@oursson.ru](mailto:info@oursson.ru).

### Условия Гарантийных обязательств OURSSON AG:

- Гарантийные обязательства OURSSON AG, предоставляемые УЦЦ OURSSON AG, распространяются только на модели, предназначенные OURSSON AG для производства или поставок и реализации на территории страны, где предоставляется гарантийное обслуживание, приобретенные в этой стране, прошедшие сертификацию на соответствие стандартам этой страны, а также маркированные официальными знаками соответствия.
- Гарантийные обязательства OURSSON AG действуют в рамках законодательства о защите прав потребителей и регулируются законодательством страны, на территории которой они предоставлены, и только при условии использования изделия исключительно для личных, семейных или домашних нужд. Гарантийные обязательства OURSSON AG не распространяются на случаи использования товаров в целях осуществления предпринимательской деятельности либо в связи с приобретением товаров в целях удовлетворения потребностей предприятий, учреждений, организаций.
- OURSSON AG устанавливает на свои изделия следующие сроки службы и гарантийные сроки:

Название продукта	Срок службы, месяцев со дня покупки	Гарантийный срок, месяцев со дня покупки
морозильники, холодильники, автоматические кофемашины, вспениватели	36	12
Кухонные весы, сифоны	24	12

- Гарантийные обязательства OURSSON AG не распространяются на перечисленные ниже принадлежности изделия, если их замена предусмотрена конструкцией и не связана с разборкой изделия:
  - Элементы питания.
  - Чехлы, ремни, шнуры для переноски, монтажные приспособления, инструмент, документацию, прилагаемую к изделию.
  - Аксессуары, входящие в комплект изделия, за исключением их отсутствия или наличия производственного брака.
- Гарантия не распространяется на недостатки, возникшие в изделии вследствие нарушения потребителем правил использования, хранения или транспортировки товара, действия третьих лиц или непреодолимой силы, включая, но не ограничиваясь следующими случаями:
  - Если недостаток товара явился следствием небрежного обращения, применения товара не по назначению, нарушения условий и правил эксплуатации, изложенных в инструкции по эксплуатации, в том числе вследствие воздействия высоких или низких температур, высокой влажности или запыленности, следах вскрытия корпуса прибора и/или самостоятельного ремонта, несоответствия Государственным стандартам параметров питающих сетей, попадания внутрь корпуса жидкости, насекомых и других посторонних предметов, веществ, а также длительного использования изделия в предельных режимах его работы.
  - Повреждения и дефекты, вызванные качеством воды и отложением накипи (очистка от накипи и чистка не входит в гарантийное обслуживание и должна РЕГУЛЯРНО производиться Вами самостоятельно).
  - Если недостаток товара явился следствием несанкционированного тестирования товара или попыток внесения любых изменений в его конструкцию или его программное обеспечение, в том числе ремонта или технического обслуживания в неуполномоченной OURSSON AG ремонтной организации.
  - Если недостаток товара явился следствием использования нестандартных (нетиповых) и (или) некачественных принадлежностей, аксессуаров, запасных частей, элементов питания.
  - Если недостаток товара связан с его применением совместно с дополнительным оборудованием (аксессуарами), отличным от дополнительного оборудования, рекомендованного OURSSON AG к

применению с данным товаром. OURSSON AG не несет ответственность за качество дополнительного оборудования (аксессуаров), произведенного третьими лицами, за качество работы своих изделий совместно с таким оборудованием, а также за качество работы дополнительного оборудования производства компании OURSSON AG совместно с изделиями других производителей.

- Недостатки товара, обнаруженные в период срока службы, устраняются уполномоченными на это ремонтными организациями (УЦЦ). В течение гарантийного срока устранение недостатков производится бесплатно при предъявлении оригинала заполненного гарантийного талона и документов, подтверждающих факт и дату заключения договора розничной купли-продажи (товарный, кассовый чек и т. п.). В случае отсутствия указанных документов гарантийный срок исчисляется со дня изготовления товара. При этом следует учитывать:
  - Настройка и установка (сборка, подключение и т. п.) изделия, описанная в документации, прилагаемой к нему, не входит в объем гарантийных обязательств OURSSON AG и могут быть выполнены как самим пользователем, так и специалистами большинства уполномоченных сервисных центров соответствующего профиля на платной основе.
  - Работы по техническому обслуживанию изделий (чистка и смазка движущихся частей, замена расходных материалов и принадлежностей и т. п.) производятся на платной основе.
- OURSSON AG не несет ответственности за возможный вред, прямо или косвенно нанесенный своей продукцией людям, домашним животным, имуществу в случае, если это произошло в результате несоблюдения правил и условий эксплуатации, хранения, транспортировки или установки изделия; умышленных или неосторожных действий потребителя или третьих лиц.
- Ни при каких обстоятельствах OURSSON AG не несет ответственности за какой-либо особый, случайный, прямой или косвенный ущерб или убытки, включая, но не ограничиваясь перечисленным, упущенную выгоду, убытки, вызванные перерывами в коммерческой, производственной или иной деятельности, возникающие в связи с использованием или невозможностью использования изделия.
- Вследствие постоянного совершенствования продукции элементы дизайна и некоторые технические характеристики продукта могут быть изменены без предварительного уведомления со стороны производителя.

### Использование изделия по истечении срока службы

- Срок службы, установленный OURSSON AG для данного изделия, действует только при условии использования изделия исключительно для личных, семейных или домашних нужд, а также соблюдении потребителем правил эксплуатации, хранения и транспортировки изделия. При условии аккуратного обращения с изделием и соблюдения правил эксплуатации фактический срок службы может превышать срок службы, установленный OURSSON AG.
- По окончании срока службы изделия вам необходимо обратиться в Уполномоченный сервисный центр для проведения профилактического обслуживания изделия и определения его пригодности к дальнейшей

эксплуатации. Работы по профилактическому обслуживанию изделия и его диагностике выполняются сервисными центрами на платной основе.

- OURSSON AG не рекомендует продолжать эксплуатацию изделия по окончании срока службы без проведения его профилактического обслуживания в Уполномоченном сервисном центре, т. к. в этом случае изделие может представлять опасность для жизни, здоровья или имущества потребителя.

### Утилизация изделия

Этот бытовой электроприбор имеет обозначение согласно требованиям Директивы ЕС 2002/96/EG об отслуживших свой срок электрических и электронных приборах (waste electrical and electronic equipment – WEEE). После окончания срока службы изделия его нельзя выбрасывать вместе с обычным бытовым мусором. Вместо этого оно подлежит сдаче на утилизацию в соответствующий пункт приема электрического и электронного оборудования для последующей переработки и утилизации в соответствии с федеральным или местным законодательством. Обеспечивая правильную утилизацию данного продукта, вы помогаете сэкономить природные ресурсы и предотвращаете ущерб для окружающей среды и здоровья людей, который возможен в случае ненадлежащего обращения. Более подробную информацию о пунктах приема и утилизации данного продукта можно получить в местных муниципальных органах или на предприятии по вывозу бытового мусора.



### Дата производства

Каждому изделию присваивается уникальный серийный номер в виде буквенно-цифрового ряда и дублируется штрих-кодом, который содержит следующую информацию: название товарной группы, дату производства, порядковый номер изделия. Серийный номер располагается на задней панели продукта, на упаковке и в гарантийном талоне.



Серийный номер располагается на задней панели продукта, на упаковке и в гарантийном талоне.

- 1 Первые две буквы – соответствие товарной группе (вспениватель молока – MF)
- 2 Первые две цифры – год производства
- 3 Вторые две цифры – месяц производства
- 4 Последние цифры – порядковый номер изделия





[www.oursson.com](http://www.oursson.com)