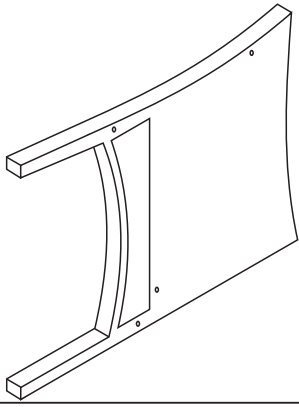
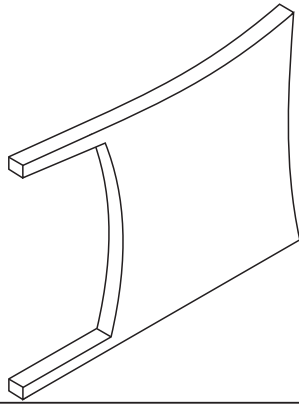


A



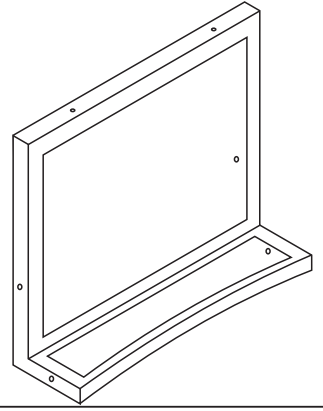
X2

B



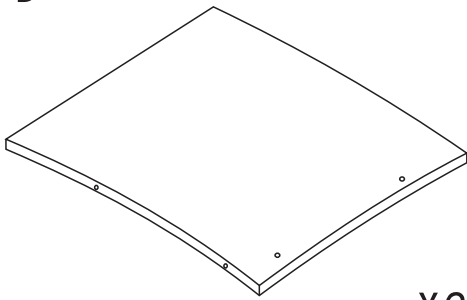
X2

C



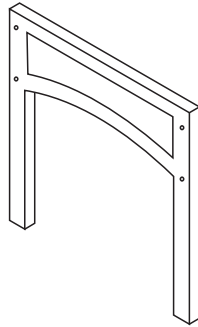
X2

D



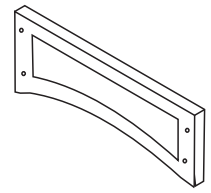
X2

E



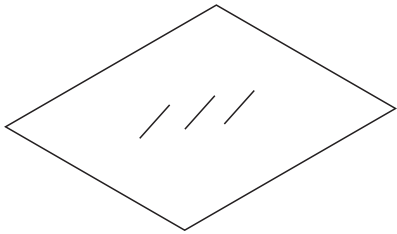
X2

F



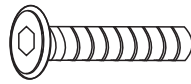
X2

G



X1

H



M 6X35

X 28

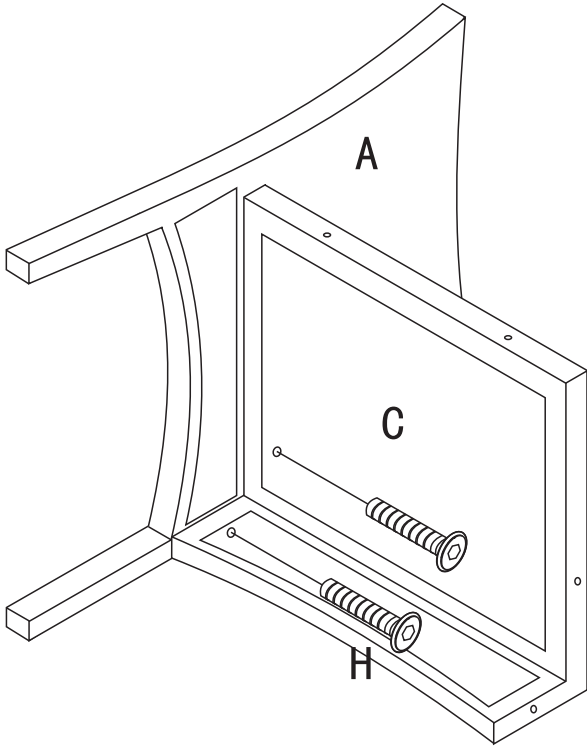
I



X1

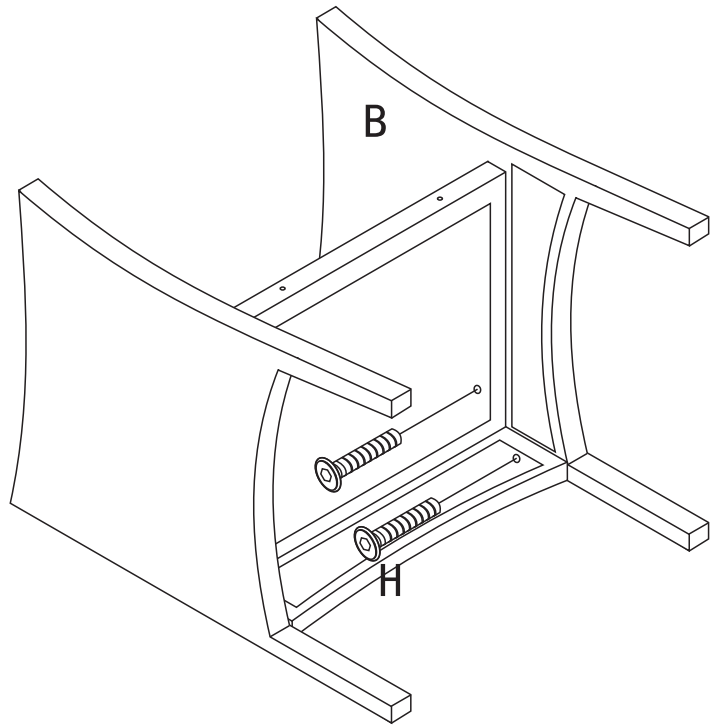
1 x2

H*2



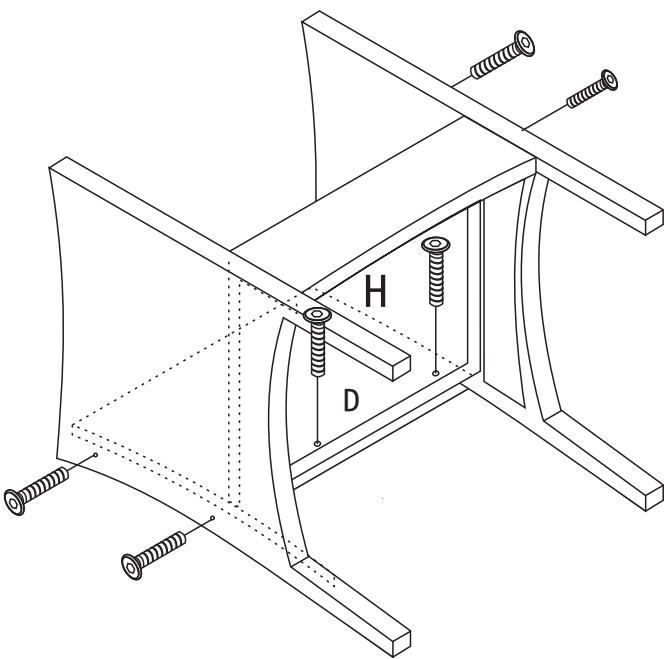
2 x2

H*2



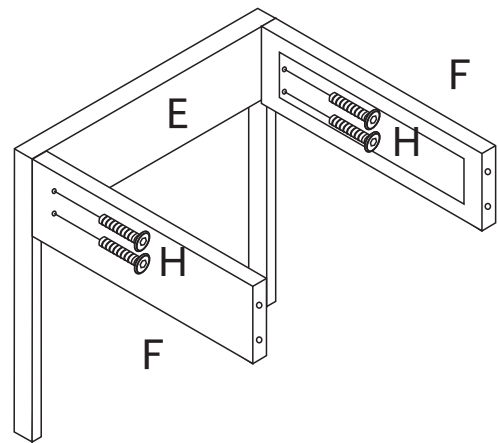
3 x2

H*6



4

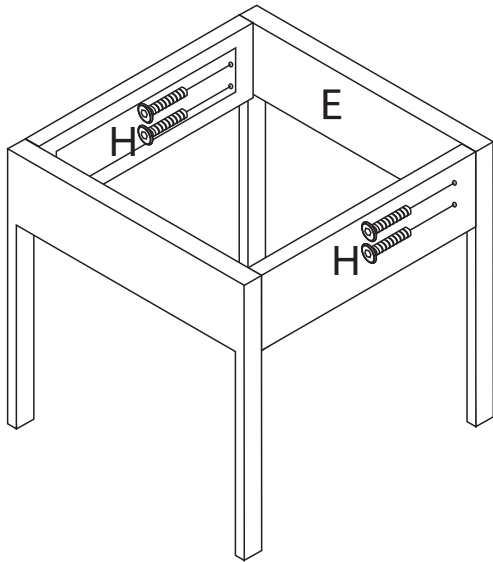
H*4



NOTE:50% TIGHTEN BEFORE FIXING ALL BOLTS

5

H*4



6

