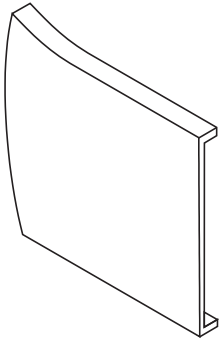


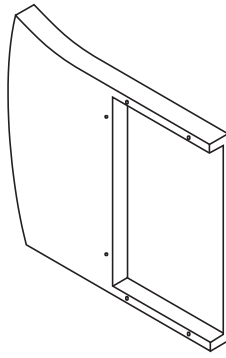
**NOTE: 50% TIGHTEN BEFORE FIXING ALL BOLTS**

**A**



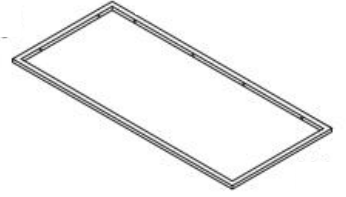
**X3**

**B**



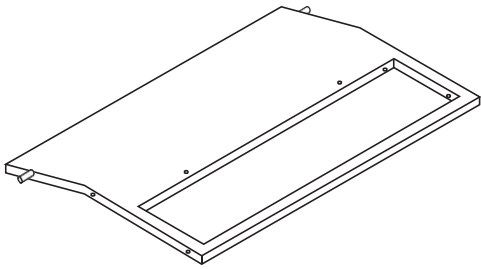
**X3**

**C**



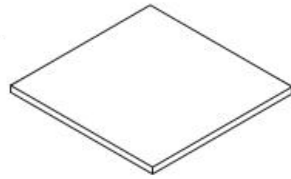
**X1**

**D**



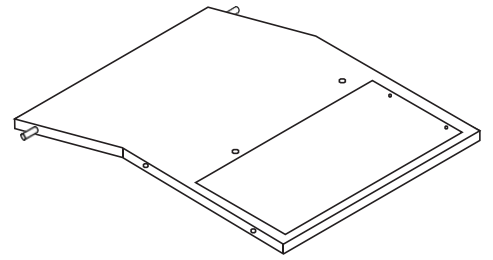
**X1**

**E**



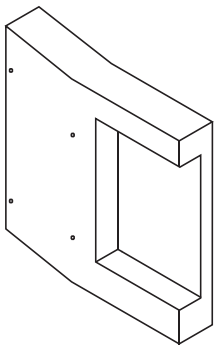
**X2**

**F**



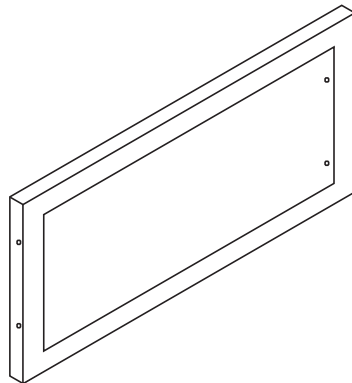
**X2**

**G**



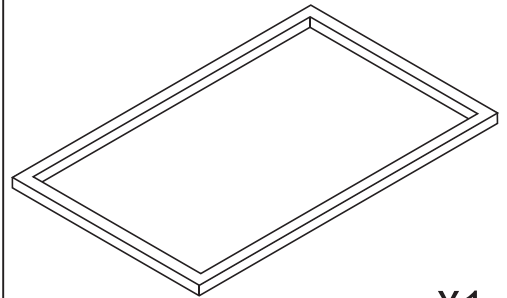
**X2**

**H**



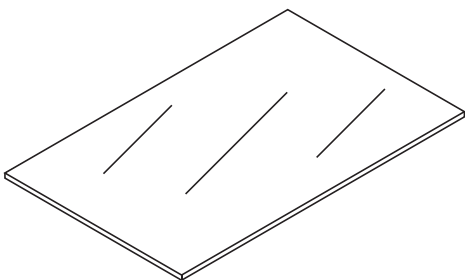
**X1**

**I**



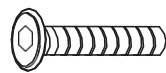
**X1**

**J**



**X1**

**K**



**M 6X35**

**X52**

**L**



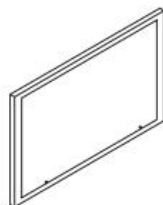
**X1**

**M**



**X1**

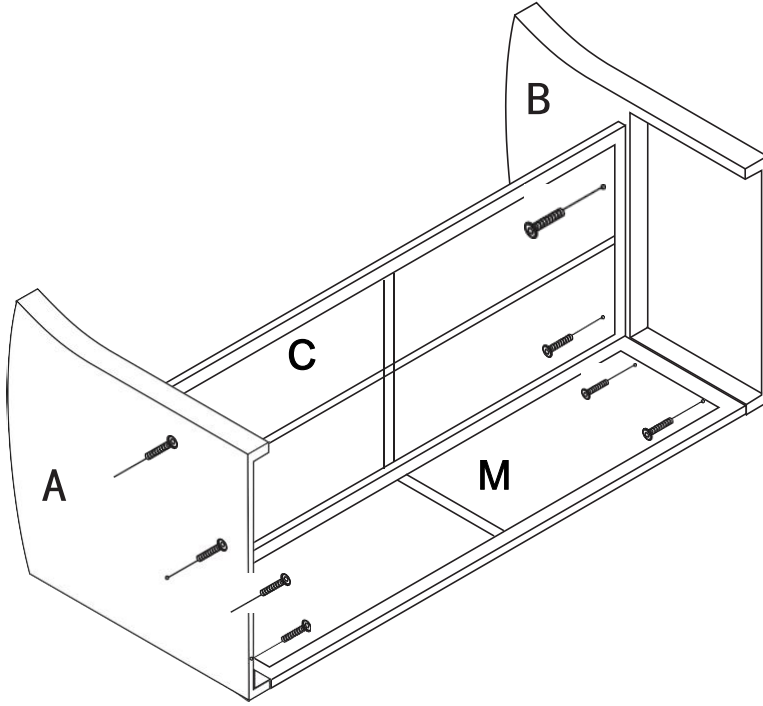
**N**



**X2**

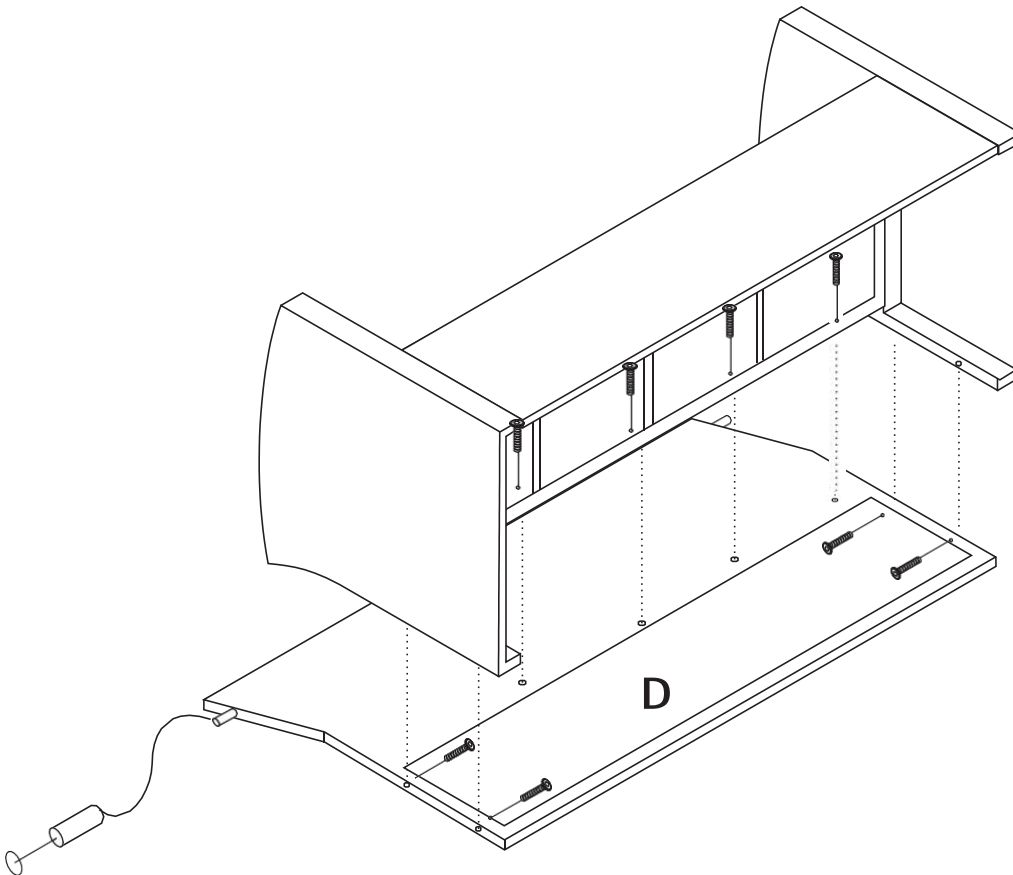
1

NOTE: 50% TIGHTEN BEFORE FIXING ALL BOLTS



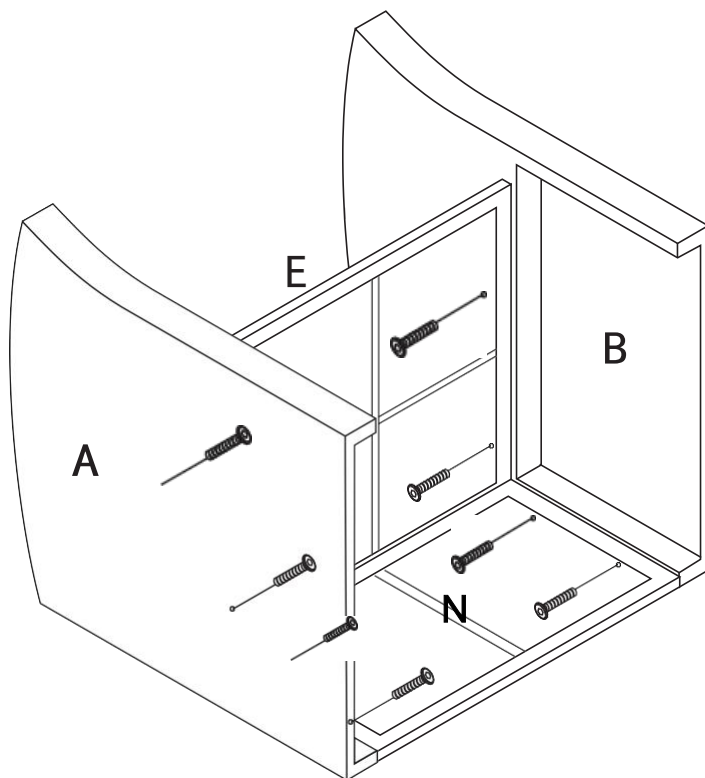
2

NOTE: 50% TIGHTEN BEFORE FIXING ALL BOLTS



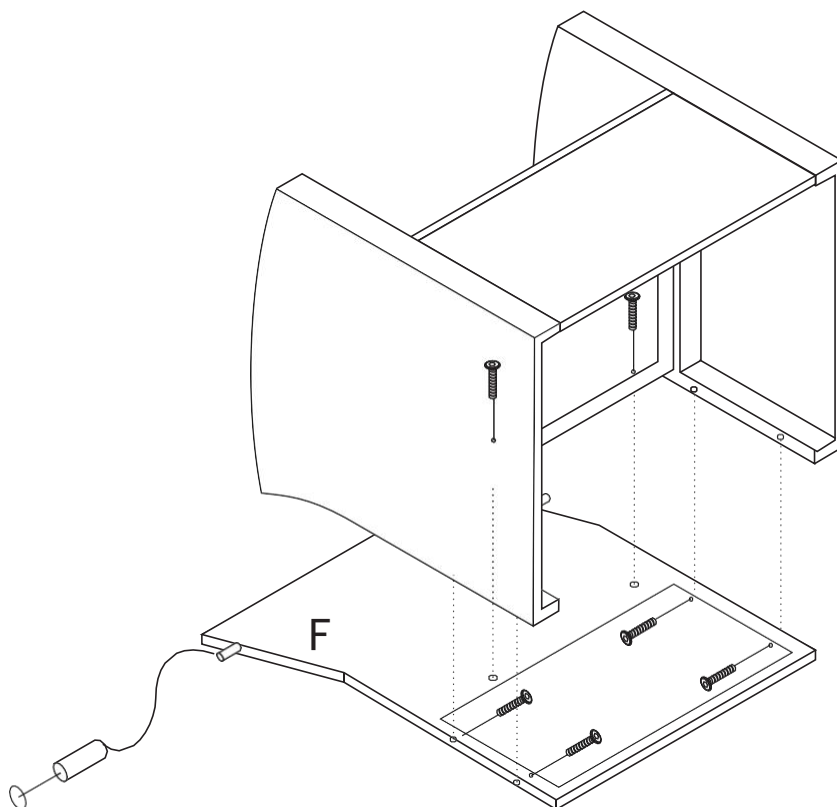
3

NOTE: 50 % TIGHT EN BEFORE FIXING ALL BOLTS



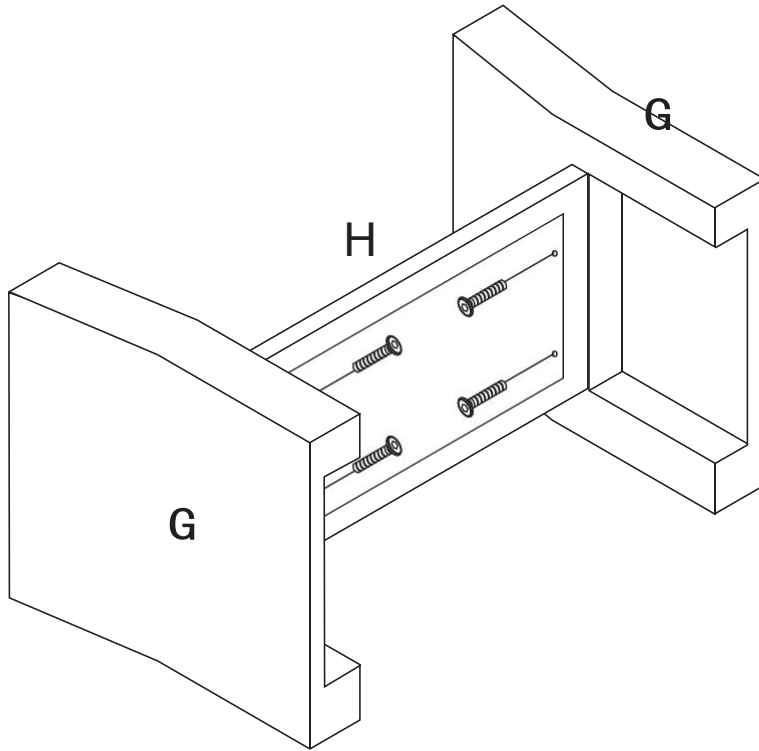
4

NOTE: 50 % TIGHT EN BEFORE FIXING ALL BOLTS



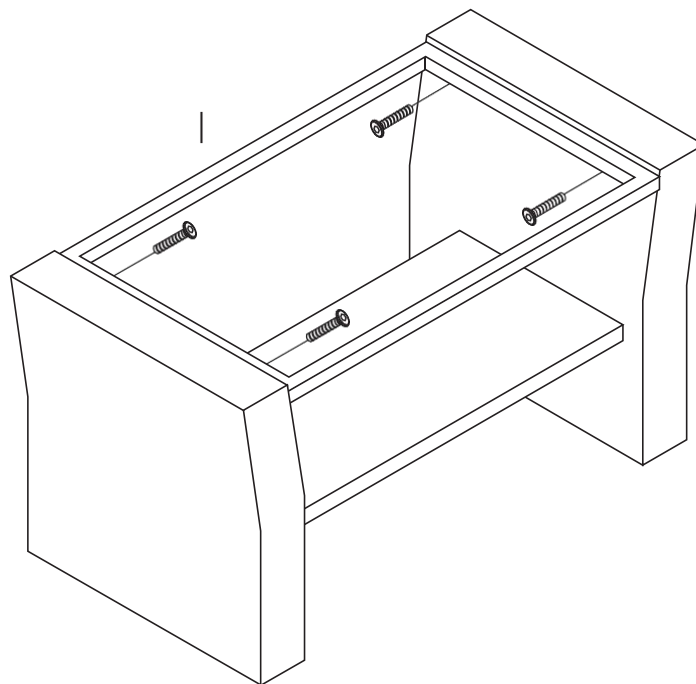
5

NOTE: 50 % TIGHT EN BEFORE FIXING ALL BOLTS



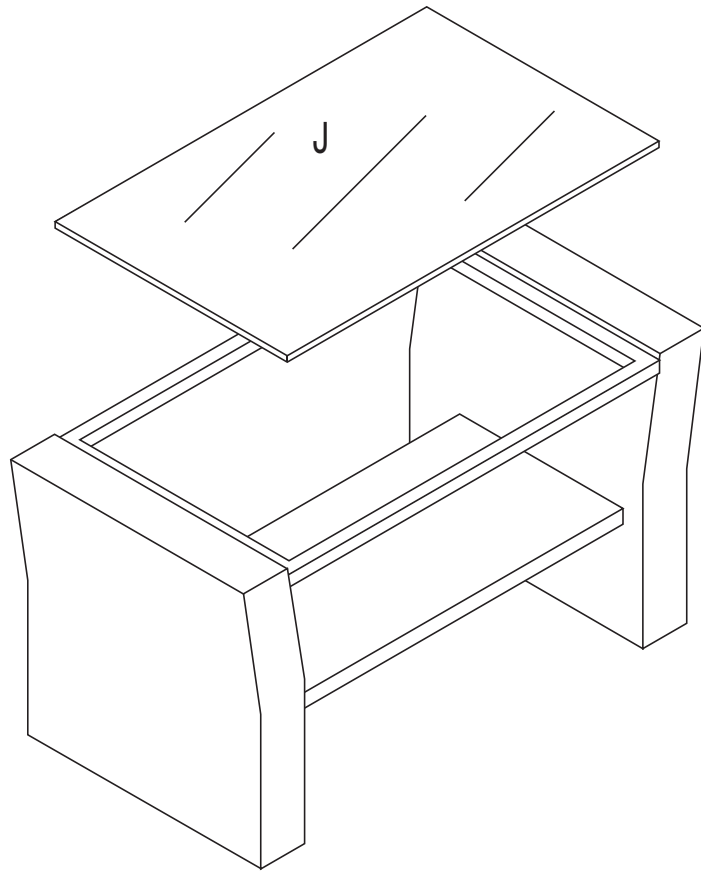
6

NOTE: 50 % TIGHT EN BEFORE FIXING ALL BOLTS



7

NOTE: 50% TIGHT EN BEFORE FIXING ALL BOLTS



8

NOTE: 50% TIGHT EN BEFORE FIXING ALL BOLTS

