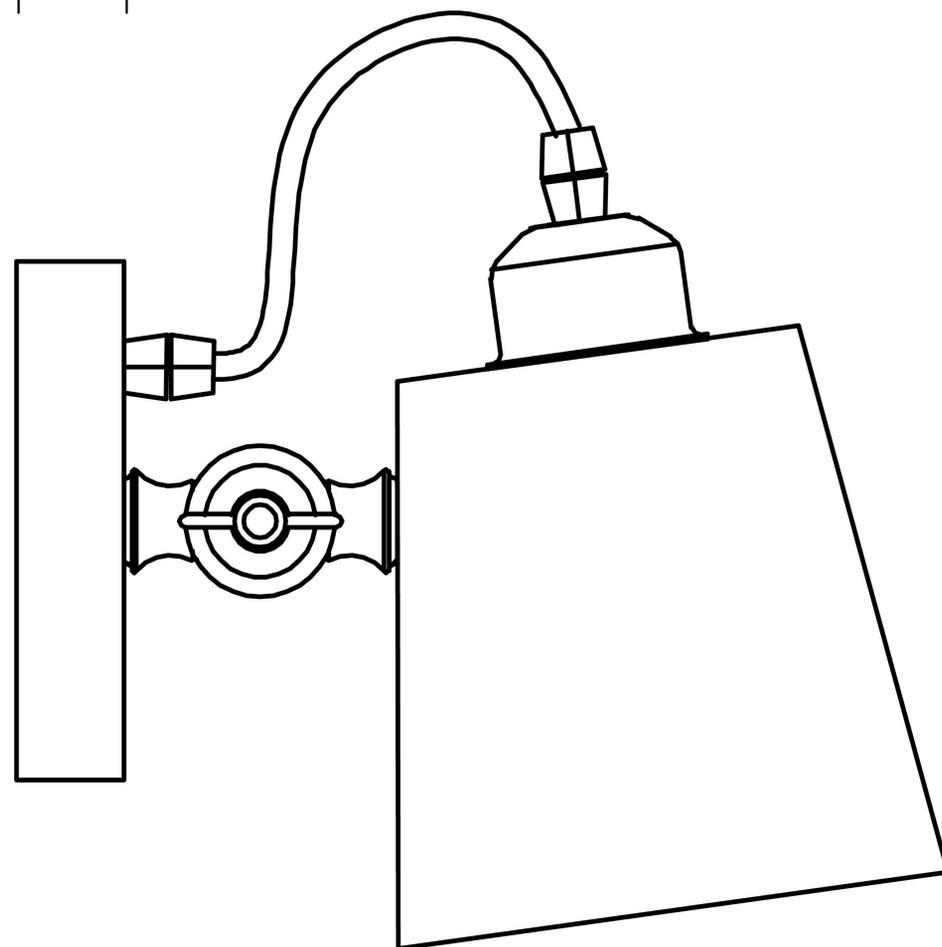


25 мм



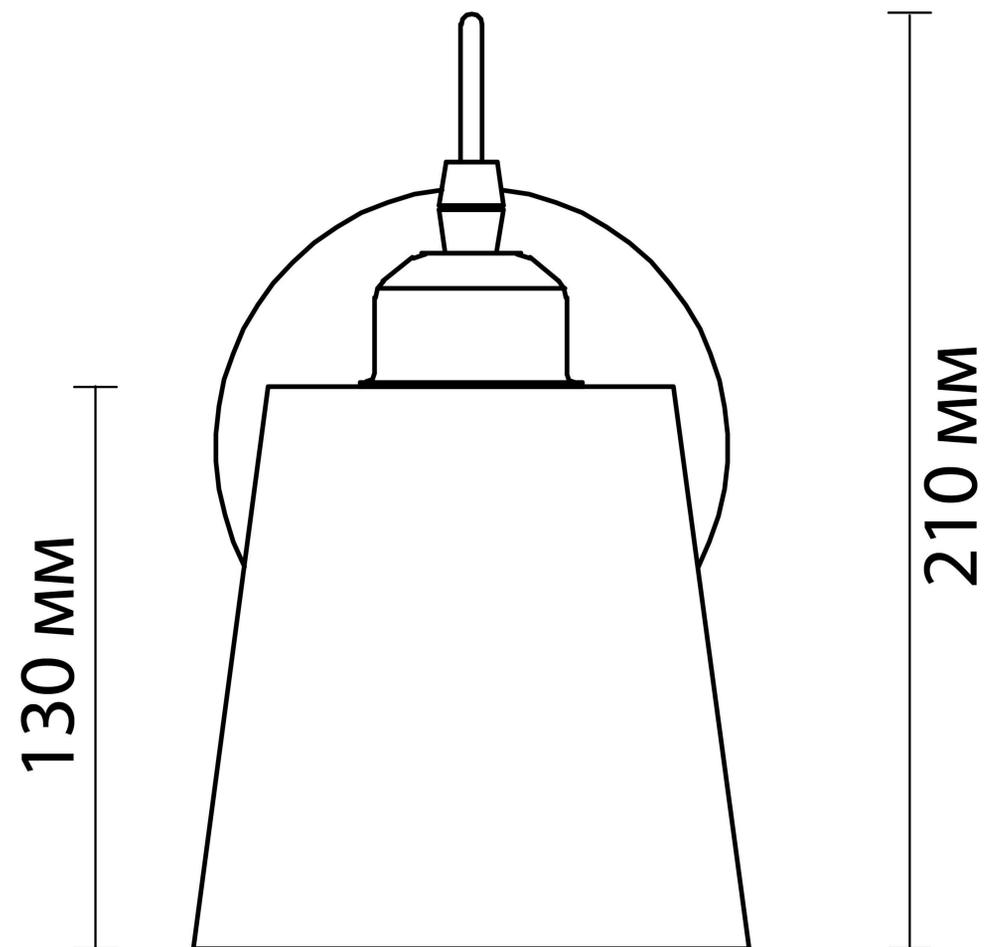
A horizontal dimension line with tick marks at both ends, indicating a length of 25 mm.



215 мм



A horizontal dimension line with tick marks at both ends, indicating a total width of 215 mm.



Ø130 мм



A horizontal dimension line with tick marks at both ends, indicating a diameter of Ø130 mm.